

Transmittal, reproduction, dissemination and/or editing of this document as well as utilization of its contents and communication thereof to others without express authorization are prohibited.
未经允许禁止传输、复制、编辑该文档，以及利用其内容进行交流

REVISION RECORD				
REV	CN	DESCRIPTION	DRFT	DATE

General information:

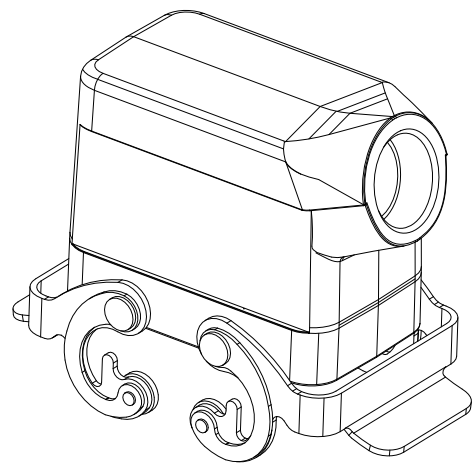
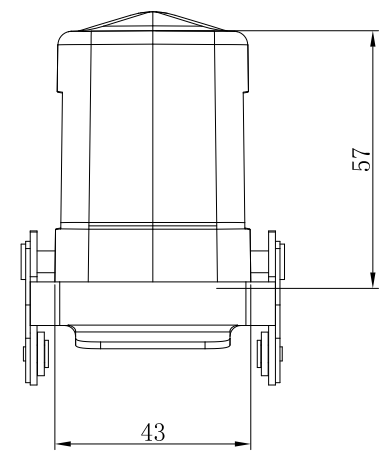
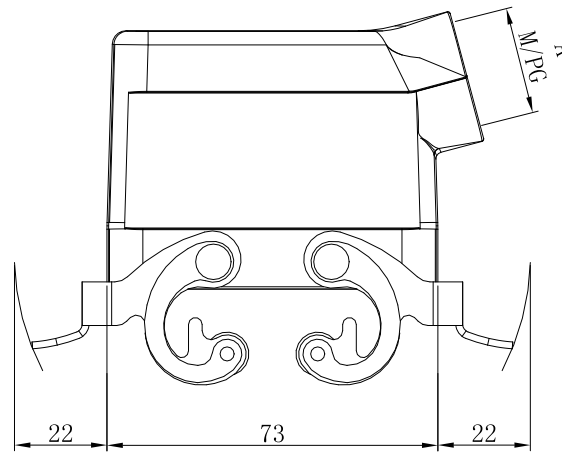
1. Material: Aluminium die-cast
2. Colour: Grey
3. Surface: Powder-coated
4. Operating temperature: -40°C~+125°C
5. Degree of protection acc.to DIN EN60529 for coupled connector: IP65
6. Locking element:
 - Locking type: Single locking latch
 - Material: Metal galvanized/nickel plating
7. Outgoing direction: Side entry
8. Thread specifications: M/PG
9. Hoods&Housings seal: NBR
10. Undimensioned Tolerances:

Pitch Range In mm	Nominal Dimension Range In mm						Tolerance	
	Over 6 TO 10	Over 10 TO 24	Over 30 TO 60	Over 60 TO 100	Over 100 TO 150	Over 150		
±0.15	±0.20	±0.30	±0.30	±0.50	±0.70	±1.00	±1.30	±2*

HOW TO ORDER:

S10B-BM-1L.M

- Locking lever — 1L: 1 levers(plastic) 2B: 2 bolts
2L: 2 levers(plastic) 4B: 4 bolts
1L.M: 1 levers(Metal)
2L.M: 2 levers(Metal)
- Housing type — SE: Side entry
SEH: Side entry-high construction
TE: Top entry
TEH: Top entry-high construction
BM: Bulkhead mounted
SM: Suseface mounted
SMH: Suseface mounted-high construction
CC: Cable to cable
CCH: Cable to cable high construction
- Sereies — S3A: 3A Compact type
S10A: 10A Compact type
S16A: 16A Compact type
S32A: 32A Compact type
S6B: 6B Standard type
S10B: 10B Standard type
S16B: 16B Standard type
S24B: S24B Standard type
S32B: S32B Standard type
S48B: S48B Standard type



Order number	A
S10B-SE-2L. M-M20	M20×1.5
S10B-SE-2L. M-PG16	PG16

Order No.	S10B-SE-2L. M-XXX		Name	S10B侧出线金属两扣上壳	Tolerances Table	表面
Item	Signature	Date			Revision Number	Surface
Design	CHH	2024.07.16	图号	/	版本号	VDI21
Check	CHH	2024.07.16	材料	/	MO	重量
Process	-	-	物料号	/	第1页/共1页 1 of 1	比例
Unify	-	-	Item No.	...	1:1	
Approve	XJ	2024.07.16		/	mm	

SUPU 宁波盛普电子有限公司
NINGBO SUPU ELECTRONICS CO.,LTD.