

Transmittal, reproduction, dissemination and/or editing of this document as well as utilization of its contents and communication thereof to others without express authorization are prohibited.
未经允许禁止传输、复制、编辑该文档，以及利用其内容进行交流

REVISION RECORD				
REV	CN	DESCRIPTION	DRFT	DATE

General information:

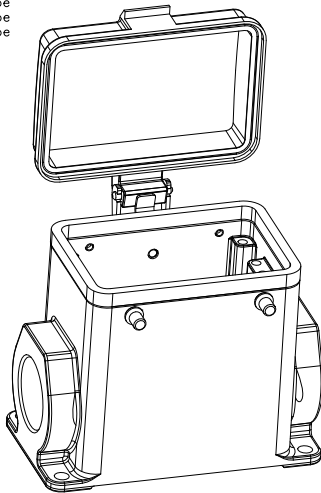
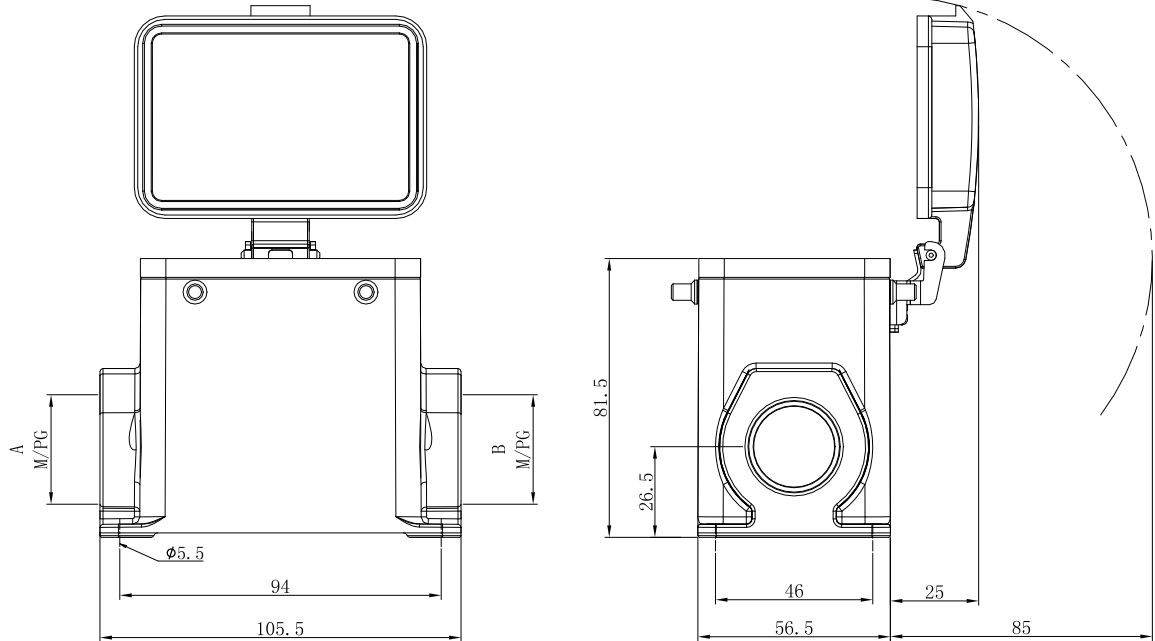
- 1.Material: Aluminium die-cast
- 2.Materia, cover: Aluminium die-cast
- 3.Colour: Grey
- 4.Surface: Powder-coated
- 5.Operating temperature: -40°C~+125°C
- 6.Degree of protection acc.to DIN EN60529 for coupled connector: IP65
- 7.Outgoing direction: Bottom entry
- 8.Hoods&Housings seal: NBR
- 9.Undimensioned Tolerances:

Pitch Range in mm	Nominal Dimension Range in mm	T	S
Over 6 to 10	Over 30 to 60	0.1/10	2
Over 10 to 24	Over 60 to 150	0.15	3
Over 24 to 30	Over 150 to 300	0.2	4
Over 30 to 40	Over 300 to 600	0.3	5
Over 40 to 50	Over 600 to 1000	0.4	6
Over 50 to 63	Over 1000 to 1500	0.5	7
Over 63 to 80	Over 1500 to 2000	0.6	8
Over 80 to 100	Over 2000 to 3000	0.8	9
Over 100 to 150	Over 3000 to 4000	1.0	10
Over 150 to 200	Over 4000 to 5000	1.2	11
Over 200 to 250	Over 5000 to 6000	1.5	12
Over 250 to 300	Over 6000 to 7000	1.8	13
Over 300 to 400	Over 7000 to 8000	2.0	14
Over 400 to 500	Over 8000 to 10000	2.5	15
Over 500 to 630	Over 10000 to 15000	3.0	16
Over 630 to 800	Over 15000 to 20000	3.6	17
Over 800 to 1000	Over 20000 to 30000	4.0	18
Over 1000 to 1500	Over 30000 to 40000	5.0	19
Over 1500 to 2000	Over 40000 to 50000	6.0	20
Over 2000 to 2500	Over 50000 to 60000	7.0	21
Over 2500 to 3000	Over 60000 to 70000	8.0	22
Over 3000 to 4000	Over 70000 to 80000	10.0	23
Over 4000 to 5000	Over 80000 to 100000	12.0	24
Over 5000 to 6300	Over 100000 to 150000	15.0	25
Over 6300 to 8000	Over 150000 to 200000	18.0	26
Over 8000 to 10000	Over 200000 to 300000	20.0	27
Over 10000 to 15000	Over 300000 to 400000	25.0	28
Over 15000 to 20000	Over 400000 to 500000	30.0	29
Over 20000 to 25000	Over 500000 to 600000	36.0	30
Over 25000 to 30000	Over 600000 to 700000	40.0	31
Over 30000 to 40000	Over 700000 to 800000	45.0	32
Over 40000 to 50000	Over 800000 to 1000000	50.0	33
Over 50000 to 63000	Over 1000000 to 1500000	60.0	34
Over 63000 to 80000	Over 1500000 to 2000000	75.0	35
Over 80000 to 100000	Over 2000000 to 3000000	90.0	36
Over 100000 to 150000	Over 3000000 to 4000000	100.0	37
Over 150000 to 200000	Over 4000000 to 5000000	120.0	38
Over 200000 to 250000	Over 5000000 to 6000000	150.0	39
Over 250000 to 300000	Over 6000000 to 7000000	180.0	40
Over 300000 to 400000	Over 7000000 to 8000000	200.0	41
Over 400000 to 500000	Over 8000000 to 10000000	250.0	42
Over 500000 to 630000	Over 10000000 to 15000000	300.0	43
Over 630000 to 800000	Over 15000000 to 20000000	360.0	44
Over 800000 to 1000000	Over 20000000 to 30000000	400.0	45
Over 1000000 to 1500000	Over 30000000 to 40000000	450.0	46
Over 1500000 to 2000000	Over 40000000 to 50000000	500.0	47
Over 2000000 to 2500000	Over 50000000 to 60000000	600.0	48
Over 2500000 to 3000000	Over 60000000 to 70000000	700.0	49
Over 3000000 to 4000000	Over 70000000 to 80000000	800.0	50
Over 4000000 to 5000000	Over 80000000 to 100000000	900.0	51
Over 5000000 to 6300000	Over 100000000 to 150000000	1000.0	52
Over 6300000 to 8000000	Over 150000000 to 200000000	1200.0	53
Over 8000000 to 10000000	Over 200000000 to 300000000	1500.0	54
Over 10000000 to 15000000	Over 300000000 to 400000000	1800.0	55
Over 15000000 to 20000000	Over 400000000 to 500000000	2000.0	56
Over 20000000 to 25000000	Over 500000000 to 600000000	2500.0	57
Over 25000000 to 30000000	Over 600000000 to 700000000	3000.0	58
Over 30000000 to 40000000	Over 700000000 to 800000000	3500.0	59
Over 40000000 to 50000000	Over 800000000 to 1000000000	4000.0	60
Over 50000000 to 63000000	Over 1000000000 to 1500000000	5000.0	61
Over 63000000 to 80000000	Over 1500000000 to 2000000000	6000.0	62
Over 80000000 to 100000000	Over 2000000000 to 3000000000	7000.0	63
Over 100000000 to 150000000	Over 3000000000 to 4000000000	8000.0	64
Over 150000000 to 200000000	Over 4000000000 to 5000000000	10000.0	65
Over 200000000 to 250000000	Over 5000000000 to 6000000000	12000.0	66
Over 250000000 to 300000000	Over 6000000000 to 7000000000	15000.0	67
Over 300000000 to 400000000	Over 7000000000 to 8000000000	18000.0	68
Over 400000000 to 500000000	Over 8000000000 to 10000000000	20000.0	69
Over 500000000 to 630000000	Over 10000000000 to 15000000000	25000.0	70
Over 630000000 to 800000000	Over 15000000000 to 20000000000	30000.0	71
Over 800000000 to 1000000000	Over 20000000000 to 30000000000	35000.0	72
Over 1000000000 to 1500000000	Over 30000000000 to 40000000000	40000.0	73
Over 1500000000 to 2000000000	Over 40000000000 to 50000000000	50000.0	74
Over 2000000000 to 2500000000	Over 50000000000 to 60000000000	60000.0	75
Over 2500000000 to 3000000000	Over 60000000000 to 70000000000	70000.0	76
Over 3000000000 to 4000000000	Over 70000000000 to 80000000000	80000.0	77
Over 4000000000 to 5000000000	Over 80000000000 to 100000000000	90000.0	78
Over 5000000000 to 6300000000	Over 100000000000 to 150000000000	100000.0	79
Over 6300000000 to 8000000000	Over 150000000000 to 200000000000	120000.0	80
Over 8000000000 to 10000000000	Over 200000000000 to 300000000000	150000.0	81
Over 10000000000 to 15000000000	Over 300000000000 to 400000000000	180000.0	82
Over 15000000000 to 20000000000	Over 400000000000 to 500000000000	200000.0	83
Over 20000000000 to 25000000000	Over 500000000000 to 600000000000	250000.0	84
Over 25000000000 to 30000000000	Over 600000000000 to 700000000000	300000.0	85
Over 30000000000 to 40000000000	Over 700000000000 to 800000000000	350000.0	86
Over 40000000000 to 50000000000	Over 800000000000 to 1000000000000	400000.0	87
Over 50000000000 to 63000000000	Over 1000000000000 to 1500000000000	500000.0	88
Over 63000000000 to 80000000000	Over 1500000000000 to 2000000000000	600000.0	89
Over 80000000000 to 100000000000	Over 2000000000000 to 3000000000000	700000.0	90
Over 100000000000 to 150000000000	Over 3000000000000 to 4000000000000	800000.0	91
Over 150000000000 to 200000000000	Over 4000000000000 to 5000000000000	1000000.0	92
Over 200000000000 to 250000000000	Over 5000000000000 to 6000000000000	1200000.0	93
Over 250000000000 to 300000000000	Over 6000000000000 to 7000000000000	1500000.0	94
Over 300000000000 to 400000000000	Over 7000000000000 to 8000000000000	1800000.0	95
Over 400000000000 to 500000000000	Over 8000000000000 to 10000000000000	2000000.0	96
Over 500000000000 to 630000000000	Over 10000000000000 to 15000000000000	2500000.0	97
Over 630000000000 to 800000000000	Over 15000000000000 to 20000000000000	3000000.0	98
Over 800000000000 to 1000000000000	Over 20000000000000 to 30000000000000	3500000.0	99
Over 1000000000000 to 1500000000000	Over 30000000000000 to 40000000000000	4000000.0	100

HOW TO ORDER:

S32A-BM-2L.M

- Locking lever — 1L: 1 levers(plastic) 2B: 2 bolts
2L: 2 levers(plastic) 4B: 4 bolts
1L.M: 1 levers(Metal)
2L.M: 2 levers(Metal)
- Housing type — SE: Side entry
SEH: Side entry-high construction
TE: Top entry
TEH: Top entry-high construction
BM: Bulkhead mounted
SM: Sufeace mounted
SMH: Sufeace mounted-high construction
CC: Cable to cable
CCH: Cable to cable high construction
- Sereies — S3A: 3A Compact type S6B: 6B Standard type
S10A: 10A Compact type S10B: 10B Standard type
S16A: 16A Compact type S16B: 16B Standard type
S32A: 32A Compact type S24B: S24B Standard type
S32B: S32B Standard type
S48B: S48B Standard type



Order number	A	B
S32A-SM-4B-M25-MC	M25×1.5	
S32A-SM-4B-M32-MC	M32×1.5	/
S32A-SM-4B-2M32-MC	M32×1.5	M32×1.5
S32A-SM-4B-PG21-MC	PG21	/
S32A-SM-4B-2PG21-MC	PG21	PG21
S32A-SM-4B-PG29-MC	PG29	/
S32A-SM-4B-2PG29-MC	PG29	PG29

订货号 Order No.	S32A-SM-4B-XXX-MC		名称 Name	未注公差 Tolerance		表面 Surface	
项目 Item	签字 Signature	日期 Date	S32A表面安装四耳 底座-XXX-金属盖子	Tolerances Table		VDI21	
设计 Design	CHH	2024.07.11	图号 Drawing No.	版本号 Revision Number	重量 Weight	比例 Scale	
审核 Check	CHH	2024.07.11	材料 Material	MO	/	1:1	
工艺 Process	-	-	物料号 Item No.	第1页/共1页 1 of 1		mm	
标准化 Unify	-	-	...	宁波盛普电子有限公司 NINGBO SUPU ELECTRONICS CO.,LTD.			
批准 Approve	XJ	2024.07.11	/				

借通用件登记
Common Part

原图号
Old Draw. No.

底图总号
Assembly No.