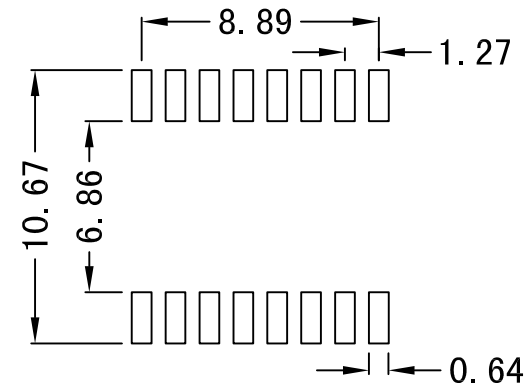
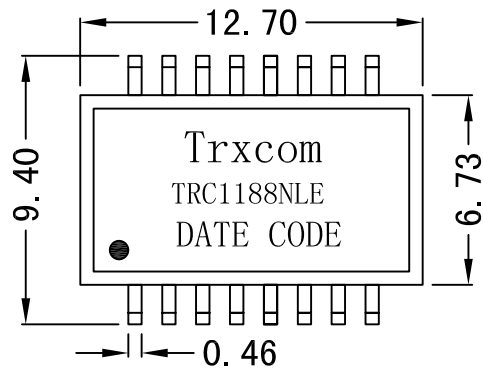
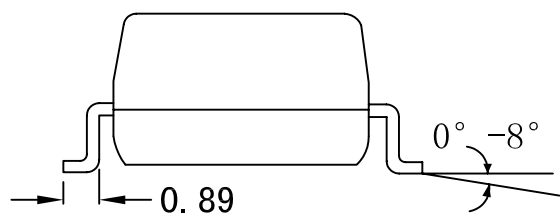
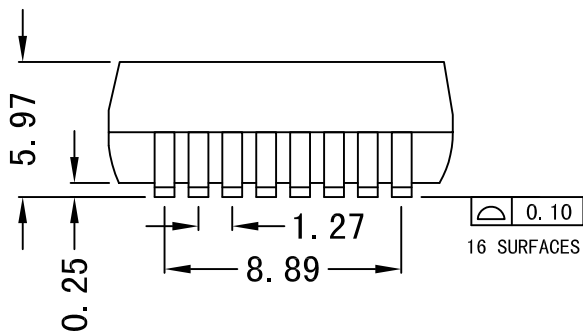


Mechanical:

REV.	ECN NO.	DESCRIPTION	DATE	APPD
A	REL		11/09/2008	



SUGGESTED PAD LAYOUT



NOTES:

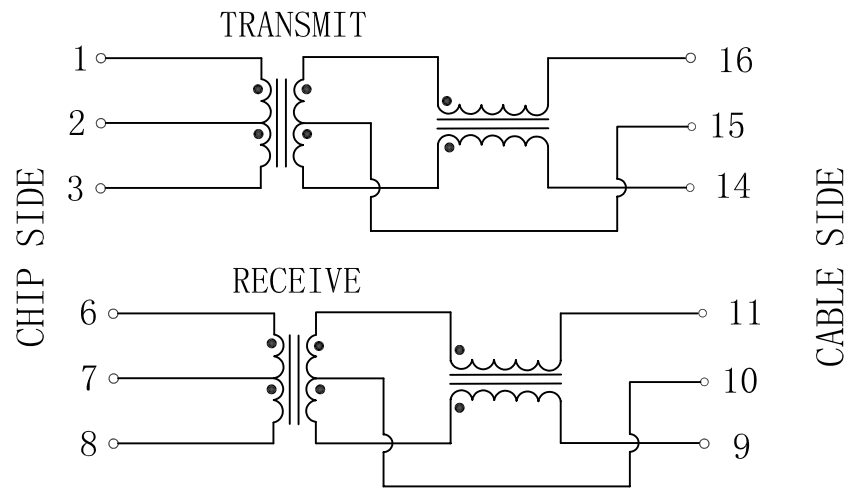
1. With various Turns Ratios.
2. Meets IEEE 802.3 and ANSI X3.263 standards, including 350uH OCL with 8mA bias.
3. For RoHS part add suffix NL
4. ROHS "NLE" peak solder rating 235°C.
5. UL Certification: File Number E321120



X:X	±0.20	APPD:	Trxcom	
X:XX	±0.10	CHKD:	ShenZhen Trxcom Electronics Co., Ltd	
X:XXX	±0.05	DR: C. H. Y	Title: 10/100Base-T Single Port Transformer Modules	
ANGLES	±1°	UNIT: mm	PART NO.:	TRC1188NLE
	SCALE: 2/1	SHEET: 1/2	REV: A	DWG NO.: TRC08091104

Schematic:

REV.	ECN NO.	DESCRIPTION	DATE	APPD
A	REL		11/09/2008	



Electrical Specifications @25°C

- Turns Ratio($\pm 3\%$):
TX=1CT:1CT RX=1CT:1CT
- Insertion Loss:
0.1-100MHz:-1.1dB MAX
- Return Loss(dB MIN @ 100 OHM):
30MHz:-20 60MHz:-14
80MHz:-11.5
- Crosstalk(dB MIN):
30MHz:-45 60MHz:-40
100MHz:-35
- DCMR (dB MIN):
30MHz:-42 60MHz:-37
100MHz:-33
- Hipot:1500Vrms MIN
- Operating Temperature:-40~+85°C



X:X	± 0.20	APPD:	Trxcom	
X:XX	± 0.10	CHKD:	ShenZhen Trxcom Electronics Co.,ltd	
X:XXX	± 0.05	DR: C. H. Y	Title: 10/100Base-T Single Port Transformer Modules	
ANGLES	$\pm 1^\circ$	UNIT: mm	PART NO.:	TRC1188NLE
	SCALE: 2/1	SHEET: 2/2	REV: A	DWG NO.: TRC08091104