

Transmittal, reproduction, dissemination and/or editing of this document as well as utilization of its contents and communication thereof to others without express authorization are prohibited.  
未经允许禁止传输、复制、编辑该文档，以及利用其内容进行交流

REVISION RECORD				
REV	CN	DESCRIPTION	DRFT	DATE

General information:

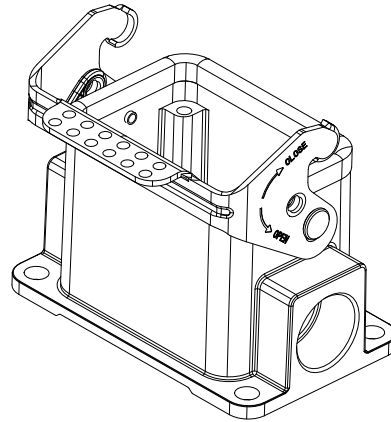
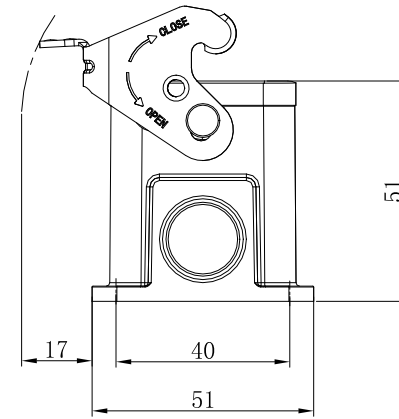
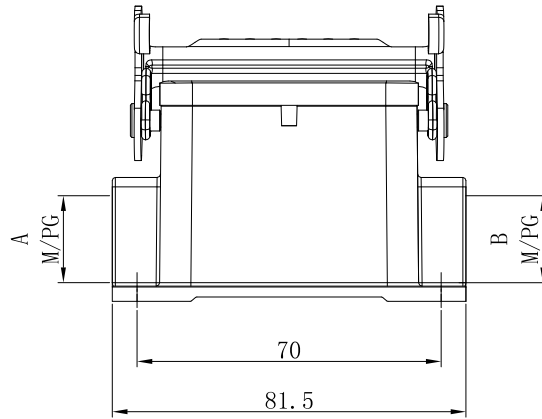
- 1.Material: Aluminium die-cast
- 2.Colour: Grey
- 3.Surface: Powder-coated
- 4.Operating temperature: -40°C~+125°C
- 5.Degree of protection acc.to DIN EN60529 for coupled connector: IP65
- 6.Outgoing direction: Side outgoing line
- 7.Locking element:  
Locking type: Single locking latch  
Material: Metal galvanized/nickel plating
- 8.Thread size: M/PG
- 9.Hoods&Housings seal: NBR
- 10.Undimensioned Tolerances:

Pitch mm	Range In		Nominal Dimension		Range		Tolerance
	TO	Over	In	Over	TO	150	
6	6	10	30	60	100	150	0.1/10
10	10	24	30	60	100	150	—
±0.15	±0.20	±0.30	±0.30	±0.50	±0.70	±1.00	±2'

HOW TO ORDER:

S6B-BM-1L.M

- Locking lever — 1L: 1 levers(plastic) 2B: 2 bolts  
2L: 2 levers(plastic) 4B: 4 bolts  
1L.M: 1 levers(Metal)  
2L.M: 2 levers(Metal)
- Housing type — SE: Side entry  
SEH: Side entry-high construction  
TE: Top entry  
TEH: Top entry-high construction  
BM: Bulkhead mounted  
SM: Surface mounted  
SMH: Surface mounted-high construction  
CC: Cable to cable  
CCH: Cable to cable high construction
- Sereies — S3A: 3A Compact type S6B: 6B Standard type  
S10A: 10A Compact type S10B: 10B Standard type  
S16A: 16A Compact type S16B: 16B Standard type  
S24B: S24B Standard type  
S32B: S32B Standard type  
S48B: S48B Standard type



Order number	A	B
S6B-SM-1L. M-M20	M20×1.5	/
S6B-SM-1L. M-2M20	M20×1.5	M20×1.5
S6B-SM-1L. M-M25	M25×1.5	/
S6B-SM-1L. M-2M25	M25×1.5	M25×1.5
S6B-SM-1L. M-PG16	PG16	/
S6B-SM-1L. M-2PG16	PG16	PG16

Order No.	S6B-SM-1L. M-XXX	Name	S6B表面安装 金属单扣底座-XXX	Tolerances Table	表面 Surface
Item	Signature	Date		未注公差 Tolerance	VDI21
Design	CHH	2024.07.12	图号 Drawing No.	版本号 Revision Number	重量 Weight
Check	CHH	2024.07.12	材料 Material	MO	比例 Scale
Process	-	-	物料号 Item No.	第1页/共1页 1 of 1	mm
Unify	-	-	...	宁波盛普电子有限公司 NINGBO SUPU ELECTRONICS CO.,LTD.	
Approve	XJ	2024.07.12	/		

借通用件登记  
Common Part

原图号  
Old Draw. No.

底图总号  
Assembly No.