

Data sheet

Commercial Art.No.: 70.353.3235.1

Hood BAS GOT GA 32 M40 50 A1

Hood revos basic made of aluminum, for double locking lever or. screw cap with threaded hole M40 on the right side, low version, 32-poles



Commercial Art.No.	70.353.3235.1
EAN	4015573629035
Order Unit	1

Certificates / Approvals



Technical data

General

Housing material	aluminum
Color	Grey
Surface	With powder coating
Degree of protection (IP)	Other
UV resistant	yes
Inflammability class of insulation material acc. with UL94	Other
Operating temperature range min.	-40 °C
Operating temperature range max.	120 °C

Model

Construction	32
Locking mechanism	Double locking levers
Cable entry	Sideways
Type of cable	Thread
With cable screw gland	No
Thread size M	40
Thread size PG	
Hinged lid	No
EMC-version	No
Length	94 mm
Width	83 mm
Height	94 mm

Classification

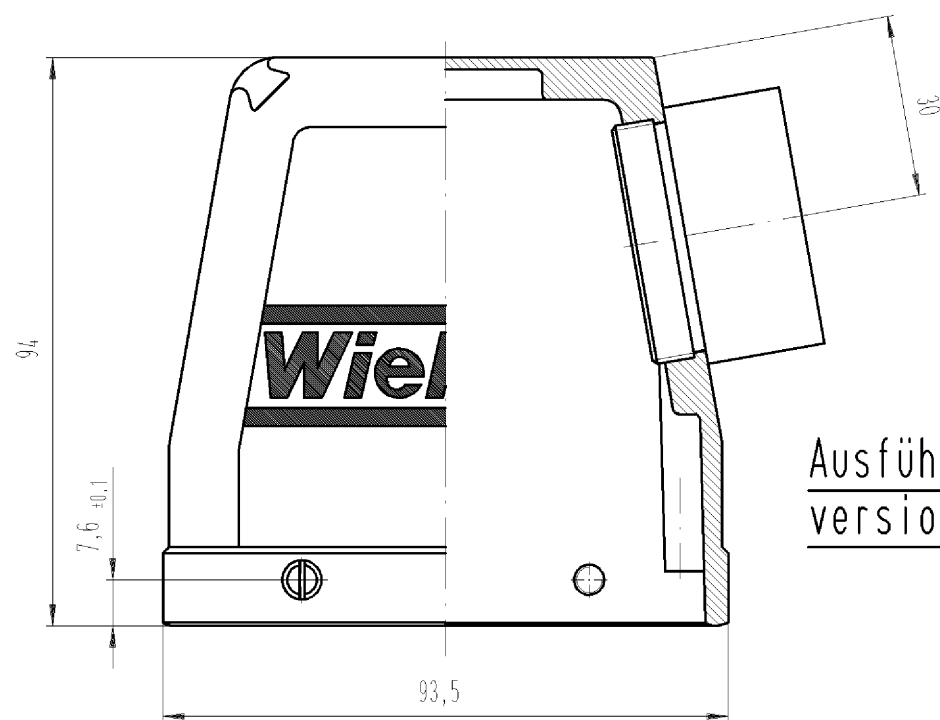
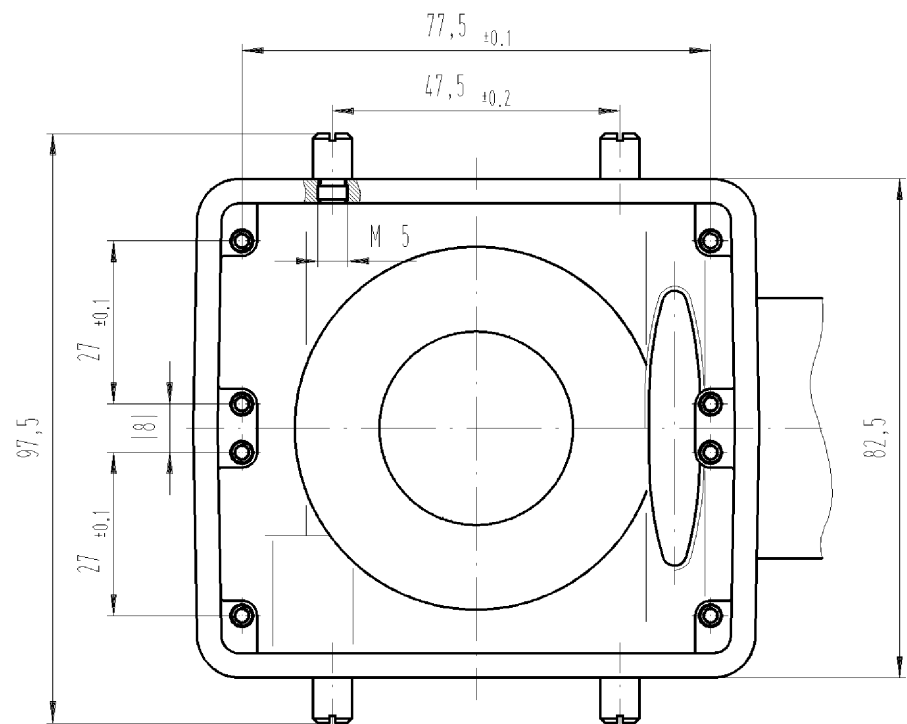
ECLASS 11	
ECLASS 8.1	27440202
ETIM 7.0	EC000437
ETIM 6.0	EC000437
ETIM 5.0	EC000437
ETIM 4.0	EC000437
ETIM 3.0	EC000437

Product compliance

ROHS conformity status	Compliant
REACH-SVHC conformity status	Compliant

Fits with

Commercial Art.No.:	Article-type description:	Description:
70.300.3253.0	Female insert BAS BUS 32 2,5 50	Female insert revos basic, 32-poles, rated current: 16A, rated voltage:500V, with tin-plated contacts
70.310.3253.0	Male insert BAS STS 32 2,5 50	Male insert revos basic, 32-poles, rated current: 16A, rated voltage: 500V, with tin-plated contacts
70.500.3253.0	Female insert BAS BUF 32 2,5 50	Female insert revos basic, 32-poles, rated current: 16A, rated voltage:500V, with tin-plated contacts
70.510.3253.0	Male insert BAS STF 32 2,5 50	Male insert revos basic, 32-poles, rated current: 16A, rated voltage: 500V, with tin-plated contacts
70.700.3253.0	Female insert BAS BUC 32 50	Female insert revos basic, 32-poles, rated current: 16A, rated voltage:500V, with tin-plated contacts
70.710.3253.0	Male insert BAS STC 32 50	Male insert revos basic, 32-poles, rated current: 16A, rated voltage: 500V, with tin-plated contacts
72.300.3253.0	Female insert BAS BUS 32 2,5 69	Female insert revos basic, 32-poles, rated current: 16A, rated voltage:690V, with tin-plated contacts
72.310.3253.0	Male insert BAS STS 32 2,5 69	Male insert revos basic, 32-poles, rated current: 16A, rated voltage: 690V, with tin-plated contacts
73.700.8058.0	Female insert HD BUC 80 25	revos BASIC HD 80 pole + ground, female insert 250V/10A, crimp connection
73.710.8058.0	Male insert HD STC 80 25	revos BASIC HD 80 pole + ground, male insert 250V/10A, crimp connection



Ausführung .2
version .1

<p><u>Ausführung .5</u> <u>version .5</u></p> <p>Kabelverschraubung M40 cable gland</p> <p>IP 65</p>	<p>Gewinde M40 / thread M40</p> <p><u>Ausführung .1</u> <u>version .1</u></p>
	<p>Stützen M40 intermediate support with thread M40</p> <p><u>Ausführung .2</u> <u>version .2</u></p>
	<p>Kabelverschraubung M 40 mit Zugenlastung und Knickschutz cable gland M40 with strain relief and kink protection</p> <p><u>Ausführung .4</u> <u>version .4</u></p>

Teile-Nr. part number	Typ type
70.353.3235.0	BAS GOT GA 32 M40 50 A0
70.353.3235.1	BAS GOT GA 32 M40 50 A1
70.353.3235.2	BAS GOT GA 32 M40 50 A2
70.353.3235.4	BAS GOT GA 32 M40 50 A4
70.353.3235.5	BAS GOT GA 32 M40 50 A5

Weitere Daten siehe Katalog
further data see catalog

Tolerierung nach DIN 7167/Tolerance system acc. to DIN 7167. (This DIN-standard describes the envelope principle. According to the envelope principle the deviations of form and parallelism are limited by the size tolerances).				ja/yes <input checked="" type="checkbox"/> Stoffverbots- und Deklarationsliste nach UU-TQM-05/03 ist einzuhalten. Conformity with Wieland document UU-TQM-05/03 (list of prohibited / declarable hazardous substances) to be declared!			
Freitoleranz nach General tolerance		CAD - Zeichnung, keine manuellen Änderungen CAD - drawing, no manual modifications allowed		1. Verwendung: First Use:		Blatt: 1 von 1 Sheet: of 1	
/		Werkstoff/Material		2006 Tag/Date		Name	
/		Maßstab/Scale		gezeichnet drawn		T Zeichnung Nr./Drawing No.	
/		%		geprüft checked		23.11. Schmitt J.	
/		Vol. mm ³ Öl./Surf. mm ²		Nahgepr. Stand. check		Index	
/		Ersatz für/Replacement for: -		Maße in mm/Dimensions are in mm		70.353.3235.0 01K	
/		wieland		Type		Benennung/Title	
/		Elektrische Verbindungen		GEHAEUSEBERTE IL		Größe/size 32 bzw./rsp 80 M40 schmale Seite Hoods, Lateral cable entry	
Index Datum / Blatt Date / Sheet		Änderung/Revision					

These dimensions will be especially checked at delivery
Only inspection dimensions
With ±-marked dimensions are only valid for internal use

Diese Maße werden bei Abnahme besonders geprüft
Ausschließlich Prüfmaße
Mit ±-gekennzeichnete Maße sind nur für interne Zwecke gültig

Weitergabe sowie Vervielfältigung dieses Dokuments, Verwertung und
Verbreitung sind verboten, soweit nicht ausdrücklich gestattet.
The reproduction, distribution and utilization of this document as well as the
communication of its contents to others without express authorization is prohibited.

703533235001K_4_CADW1042_Schnitt 2006-11-23T14:16:50 1.000