

## Data sheet

Commercial Art.No.: 96.031.5053.9

Device connector RST20I3S B1 M01 BL0

RST20i3 device connector M25, 3 pole, female, screw connection, application 250/400V, 20A, coding color light blue



Commercial Art.No.	96.031.5053.9
EAN	4015573982826
Order Unit	1

Certificates / Approvals



## Technical data

### General

Rated current	20 A
Rated voltage	250 V / 400 V
Pollution degree	3
Rated impulse voltage	4 kV
Lockable	self-locking (unlocking by tool)
Color of coding/ contact carrier	light blue
Marking of poles	1, 2, 3

### Connection Data

Connection cross section solid mm <sup>2</sup> max.	6 mm <sup>2</sup>
Connection cross section solid mm <sup>2</sup> min.	0.75 mm <sup>2</sup>
Connection cross section solid AWG min.	16 AWG
Connection cross section solid AWG max.	10 AWG
Connection cross section fine stranded mm <sup>2</sup> max.	6 mm <sup>2</sup>
Connection cross section fine stranded mm <sup>2</sup> min.	0.75 mm <sup>2</sup>
Terminations per pole	1
Wire strip length	8 mm
Connection cross section stranded AWG min.	16 AWG
Connection cross section stranded AWG max.	10 AWG

### Model

Model	female
Connection type	screw connection
Connecting thread metric	M25
Angle of plug	straight
Degree of protection (IP)	IP66/68 (3m;2h) /IP69
Thickness of housings (electrical device) 2	0.5 mm
Thickness of housings (electrical device)	8 mm

### Material

Housing material	Polyamide
------------------	-----------

halogen free	yes
Contact material	CuZn
Fire load	0.138 kWh
Insulation components continuous temperature	100 °C
Surface finish	Silver-plated

#### Dimensions

Length	50.5 mm
Width	35 mm
Height	35 mm

#### Classification

ECLASS 11	
ECLASS 8.1	27440602
ETIM 7.0	EC002566
ETIM 6.0	EC002566
ETIM 5.0	EC002566
ETIM 4.0	EC002566

#### Note

Note	RST® terminals with screw clamping allow the connection of conductors without special preparation (without ferrules) according to EN 60999-1.; Positioning realised with flattened thread
------	---

#### Product compliance

ROHS conformity status	Compliant/Exempted
ROHS exceptions	III-6(c)
REACH-SVHC conformity status	Duty-To-Declare
REACH-SVHC substances	Lead
REACH-SVHC CAS numbers	7439-92-1

#### Accessories

Commercial Art.No.:	Article-type description:	Description:
05.566.5253.1	Spacer ring RST	RST20/25 distance ring, for device connectors to ensure unlocking with screwdriver, color black
99.414.6205.2	Cover for female connector SW	RST20i3/2 cover piece, for covering unused female connectors, with fastening belt, color schwarz
Z5.564.4553.1	Cover for female connector SW	RST20i3/2 cover piece, for covering unused female connectors, color black
05.564.8653.1	Opener RST20i3/i5 SCHWARZ	Manual disconnect for later installation of RST connectors, color black

#### Fits with

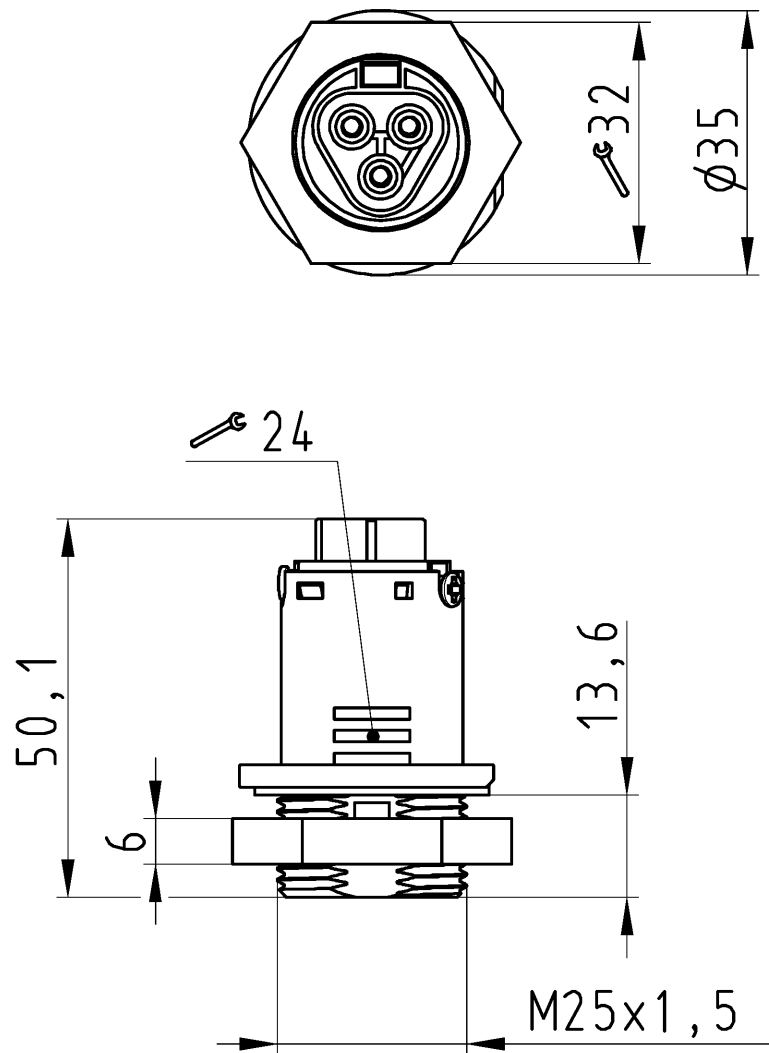
Commercial Art.No.:	Article-type description:	Description:
96.032.4053.9	Connector RST20i3S S1 ZR1SV BL0	RST20i3 connector, 3 pole, male, screw connection, application 250/400V, 20A, for cable diameters 6-10mm, coding color light blue, color of housing black
96.032.4153.9	Connector RST20i3S S1 ZR2SV BL0	RST20i3 connector, 3 pole, male, screw connection, application 250/400V, 20A, for cable diameters 10-14mm, coding color light blue, color of housing black

96.034.4053.9	Connector RST20I3S S1 YR1SV BL0	RST20i3 connector (90° angled), 3 pole, male, screw connection, application 250/400V, 20A, for cable diameters 6-10mm, coding color light blue, color of housing black
96.034.4153.9	Connector RST20I3S S1 YR2SV BL0	RST20i3 connector (90° angled), 3 pole, male, screw connection, application 250/400V, 20A, for cable diameters 10-14mm, coding color light blue, color of housing black
96.032.4553.9	Connector RST20I3S S1 ZR3SV BL04	RST20i3 connector, 3 pole, male, screw connection, application 250/400V, 20A, for cable diameters 14-18mm, coding color light blue, color of housing black

These dimensions will be especially checked at delivery  
Only inspection dimensions  
With /E marked dimensions are only valid for internal use

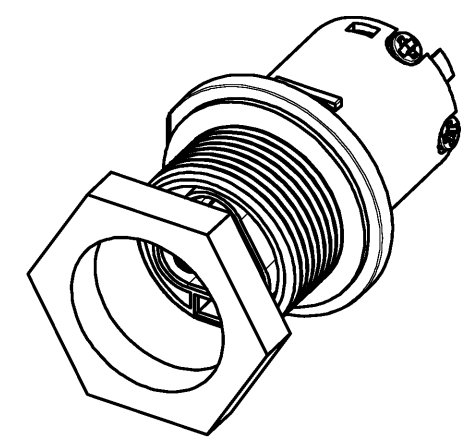
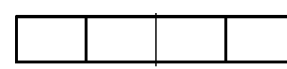
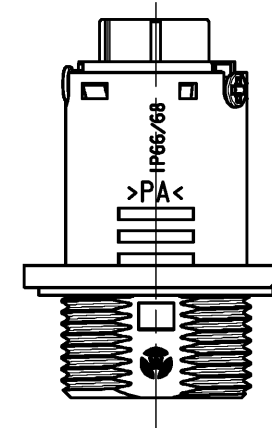
Diese Maße werden bei Abnahme besonders geprüft  
Ausschließlich Prüfmaße  
Mit /E gekennzeichnete Maße sind nur für interne Zwecke gültig

These dimensions will be especially checked at delivery  
Only inspection dimensions  
With /E marked dimensions are only valid for internal use



Öffnungsbild siehe 96.031.1053.1 14K  
opening dimension see 96.031.1053.1 14K

Auslieferungszustand  
delivery status



Verpackungseinheit: je 100 Stück  
packaging unit: per 100

96.031.5053.9	RST2013S B1 M01 BL07	lichtblau /lightblue
Bestellnummer /Order number	Typ /Type	Farbe /color
<b>Weitere Daten siehe KATALOG oder eKatalog. Additional data see CATALOG or eCatalog.</b>		<b>www.wieland-electric.com eshop.wieland-electric.com</b>

Tolerierung Size ISO 14405(☉)/Tolerance system Size ISO 14405(☉).  
(This ISO-standard describes the envelope principle. According to the envelope principle the deviations of form and parallelism are limited by the size tolerances).

ja/yes  Stoffverbots- und Deklarationsliste nach WN 5020.010 ist einzuhalten.  
Conformity with Wieland document WN 5020.010 e (list of prohibited /  
deklarable hazardous substances) to be declared!

Freitoleranz nach CAD - Zeichnung, keine manuellen Änderungen  
General tolerance CAD - drawing, no manual modifications allowed

1.Verwendung: -  
First Use:

Blatt: 1 von 1  
Sheet: of 1

	/		Werkstoff/Material	2015	Tag/Date	Name	Zeichnung Nr./Drawing No.	Index
	/		Maßstab/Scale	gezeichnet drawn	06.07.	HoffmannT		
	/		1:1	geprüft checked	-	-	Maße in mm/Dimensions are in mm	
	/			Vol.	Normgepr. Stand. check	-	-	Ersatz für/Replacement for: -
	/		www.wieland-electric.com	Type	Benennung/Title			
Index	Datum / Blatt Date / Sheet			BUCHSENTEIL female connector				
Änderung/Revision								

Weitergabe sowie Vervielfältigung dieses Dokuments, Verwertung und Mitteilung seines Inhalts sind verboten, soweit nicht ausdrücklich gestattet.  
The reproduction, distribution and utilization of this document as well as the communication of its contents to others without express authorization is prohibited.