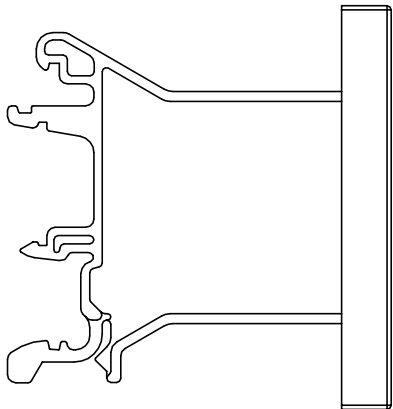
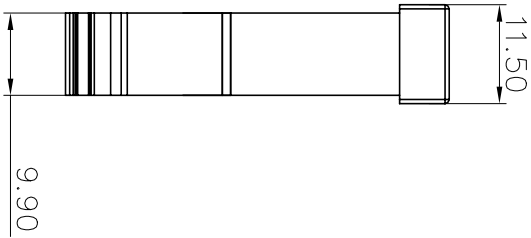
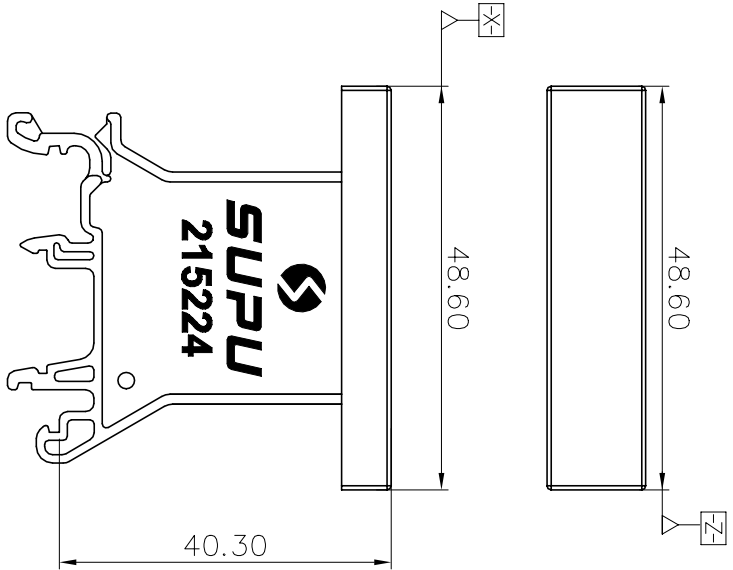


Transmittal, reproduction, dissemination and/or editing of this document as well as utilization of its contents and communication thereof to others without express authorization are prohibited.

未经允许禁止传输、复制、编辑该文档，以及利用其内容进行交流

REVISION RECORD

REV	ECN	DESCRIPTION	DRAFT	DATE



HOW TO ORDER:
215224

Series No.

Material: Insulator PA66 UL94 V-0

General information:

1. Dimension shall be interpreted per ASME Y14.5-2009
2. Operating temperature: -40°C~+105°C
3. RoHS Compliance
4. Undimensioned Tolerances:

Pitch Range		In mm		Nominal Dimension Range		Tolerance	
mm	Over	Under	mm	Over	Under	mm	Symbol
6	10	10	30	60	100	150	0.1/10
TO 6	TO 10	24	30	60	100	150	<
±0.15	±0.20	±0.30	±0.30	±0.50	±0.70	±1.00	±2°

订货号 Order No.	215224	名称 Name	铭牌固定器 带透明盖	未注公差 Tolerance	表面 Surface
项目 Item	签字 Signature	图号 Drawing No.	PRM002941	见公差表 Revision Number	VDI21
设计 Design	JXY	日期 Date	2/25/21"	版本号 M1	重量 Weight
审核 Check	DF	3/16/21"	见NOTES	比例 Scale	1:1
工艺 Process	-	-	-	物料号 Item No.	/
标准化 Unity	-	-	-	第1页/共1页 1 of 1	mm
批准 Approve	LWL	3/16/21"	-	NINGBO SUPU ELECTRONICS CO.,LTD.	

1 2 3 4 5 6 7 8