

Data sheet

Commercial Art.No.: 70.352.4835.2

Hood BAS GOT GI 48 M32 50 A2

Hood revos basic made of aluminum, for single locking lever with nozzleM32 on the top, low version, 48-poles



| | |
|--------------------|---------------|
| Commercial Art.No. | 70.352.4835.2 |
| EAN | 4015573625068 |
| Order Unit | 1 |

Certificates / Approvals



Technical data

General

| | |
|--|---------------------|
| Housing material | aluminum |
| Color | Grey |
| Surface | With powder coating |
| Degree of protection (IP) | Other |
| UV resistant | yes |
| Inflammability class of insulation material acc. with UL94 | Other |
| Operating temperature range min. | -40 °C |
| Operating temperature range max. | 120 °C |

Model

| | |
|------------------------|----------------------|
| Construction | 48 |
| Locking mechanism | Single locking lever |
| Cable entry | Above |
| Type of cable | Intermediate support |
| With cable screw gland | No |
| Thread size M | 32 |
| Thread size PG | |
| Hinged lid | No |
| EMC-version | No |
| Length | 132 mm |
| Width | 90 mm |
| Height | 107 mm |

Classification

| | |
|------------|----------|
| ECLASS 11 | |
| ECLASS 8.1 | 27440202 |
| ETIM 7.0 | EC000437 |
| ETIM 6.0 | EC000437 |
| ETIM 5.0 | EC000437 |
| ETIM 4.0 | EC000437 |
| ETIM 3.0 | EC000437 |

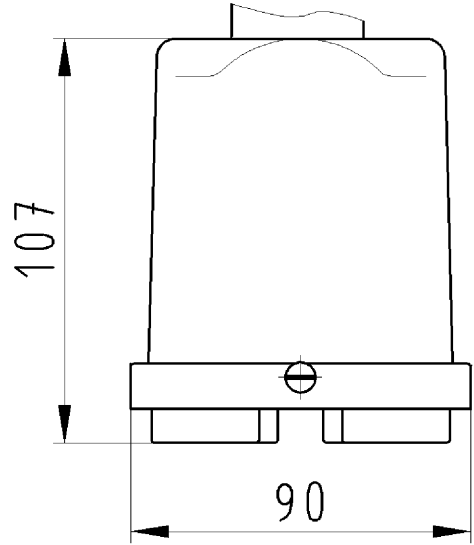
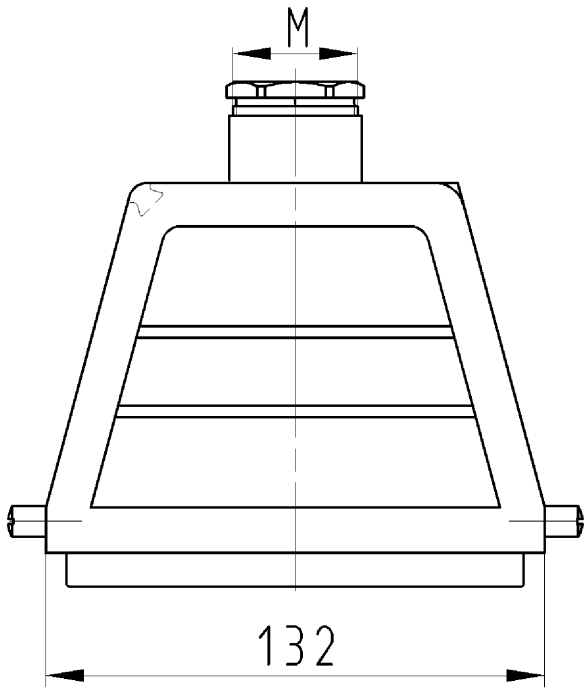
Product compliance

| | |
|------------------------------|--------------------|
| ROHS conformity status | Compliant/Exempted |
| ROHS exceptions | III-6(c) |
| REACH-SVHC conformity status | Duty-To-Declare |
| REACH-SVHC substances | Lead |
| REACH-SVHC CAS numbers | 7439-92-1 |

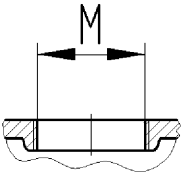
Fits with

| Commercial Art.No.: | Article-type description: | Description: |
|---------------------|---------------------------------|---|
| 70.300.4840.0 | Female insert BAS BUS 48 2,5 50 | Female insert revos basic, 48-poles, rated current: 16A, rated voltage:500V, with tin-plated contacts |
| 70.310.4840.0 | Male insert BAS STS 48 2,5 50 | Male insert revos basic, 48-poles, rated current: 16A, rated voltage: 500V, with tin-plated contacts |
| 70.500.4853.0 | Female insert BAS BUF 48 2,5 50 | Female insert revos basic, 48-poles, rated current: 16A, rated voltage:500V, with tin-plated contacts |
| 70.510.4853.0 | Male insert BAS STF 48 2,5 50 | Male insert revos basic, 48-poles, rated current: 16A, rated voltage: 500V, with tin-plated contacts |
| 70.700.4858.0 | Female insert BAS BUC 48 50 | Female insert revos basic, 48-poles, rated current: 16A, rated voltage:500V, with tin-plated contacts |
| 70.710.4858.0 | Male insert BAS STC 48 50 | Male insert revos basic, 48-poles, rated current: 16A, rated voltage: 500V, with tin-plated contacts |
| 72.300.4853.0 | Female insert BAS BUS 48 2,5 69 | Female insert revos basic, 48-poles, rated current: 16A, rated voltage:690V, with tin-plated contacts |
| 72.310.4853.0 | Male insert BAS STS 48 2,5 69 | Male insert revos basic, 48-poles, rated current: 16A, rated voltage: 690V, with tin-plated contacts |

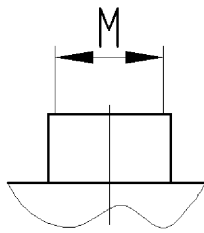
version .0



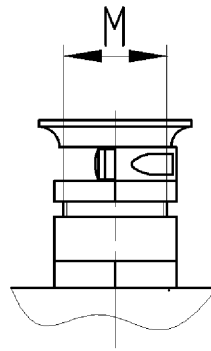
Weitergabe sowie Vervielfältigung dieses Dokuments, Verwertung und Mitteilung seines Inhalts sind verboten, soweit nicht ausdrücklich gestattet. Die Reproduktion, Distribution und Utilization of this document as well as the communication of its contents to others without express authorization is prohibited.



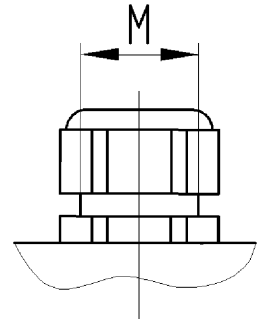
version .1



version .2



version .3



version .5

IP 65

Gehäuseoberteil
70.352.4835.0

Zeichnungsnummer
70.352.4835.010W
Gehäuseoberteil

30.11.2007
Index a 24.02.2010
Hoffmann Angelika
M 1:2