

Transmittal, reproduction, dissemination and/or editing of this document as well as utilization of its contents and communication thereof to others without express authorization are prohibited.  
未经允许禁止传输、复制、编辑该文档，以及利用其内容进行交流

REVISION RECORD				
REV	CN	DESCRIPTION	DRFT	DATE

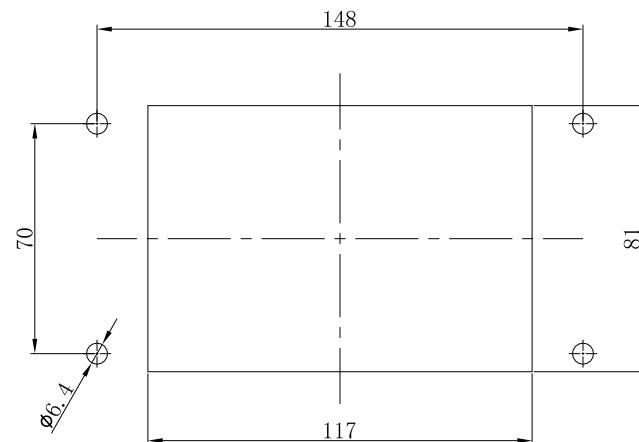
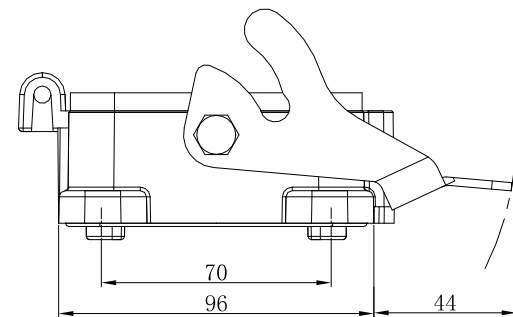
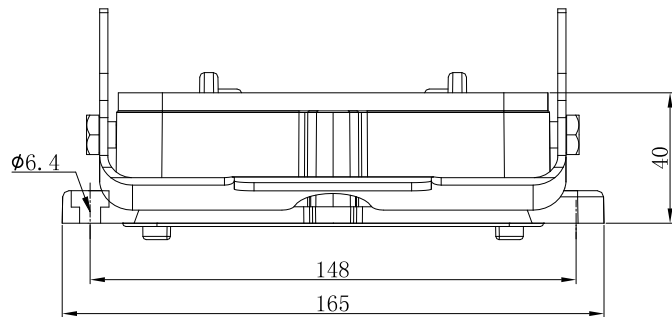
- General information:
- Material: Aluminium die-cast
  - Colour: Grey
  - Surface: Powder-coated
  - Operating temperature: -40°C~+125°C
  - Degree of protection acc.to DIN EN60529 for coupled connector: IP65
  - Outgoing direction: Bottom entry
  - Locking element:  
Locking type: Single locking latch  
Material: Metal galvanized/nickel plating
  - Hoods&Housings seal: NBR
  - Undimensioned Tolerances:

Pitch Range in mm		Nominal Dimension Range in mm		Tolerance	
Over	Under	Over	Under	Over	Under
6	10	30	60	100	150
TO	TO	TO	TO	TO	TO
6	24	30	60	100	150
±0.15	±0.20	±0.30	±0.50	±0.70	±1.00
±2'	±2'	±2'	±2'	±2'	±2'

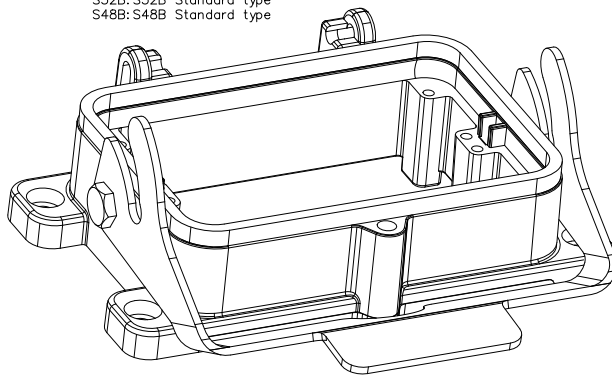
HOW TO ORDER:

S48B-BM-1L.M

- Locking lever — 1L: 1 levers(plastic) 2B: 2 bolts  
2L: 2 levers(plastic) 4B: 4 bolts  
1L.M: 1 levers(Metal)  
2L.M: 2 levers(Metal)
- Housing type — SE: Side entry  
SEH: Side entry-high construction  
TE: Top entry  
TEH: Top entry-high construction  
BM: Bulkhead mounted  
SM: Suface mounted  
SMH: Suface mounted-high construction  
CC: Cable to cable  
CCH: Cable to cable high construction
- Serieis — S3A: 3A Compact type S6B: 6B Standard type  
S10A: 10A Compact type S10B: 10B Standard type  
S16A: 16A Compact type S16B: 16B Standard type  
S32A: 32A Compact type S24B: S24B Standard type  
S32B: S32B Standard type  
S48B: S48B Standard type



Panel cut out for use without Hoods/housings



订货号 Order No.	S48B-BM-1L. M		名称 Name	S48B开孔安装 金属单扣底座	未注公差 Tolerance	表面 Surface	
项目 Item	签字 Signature	日期 Date	图号 Drawing No.	/	Tolerances Table		VDI21
设计 Design	CHH	2024.07.25	材料 Material	/	版本号 Revision Number	重量 Weight	比例 Scale
审核 Check	CHH	2024.07.25	物料号 Item No.	/	MO	/	1:1
工艺 Process	-	-		/	第1页/共1页 1 of 1	mm	
标准化 Unify	-	-		...	宁波盛普电子有限公司 NINGBO SUPU ELECTRONICS CO.,LTD.		
批准 Approve	XJ	2024.07.25		/			