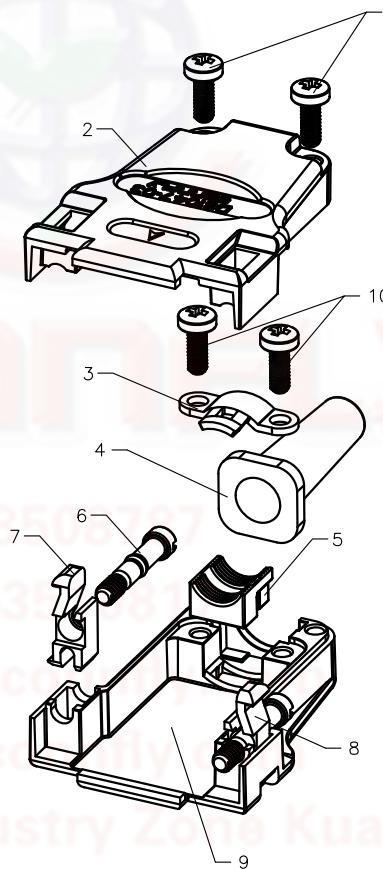
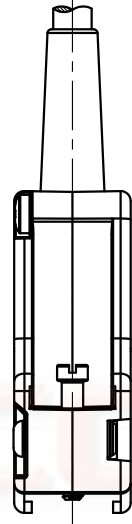
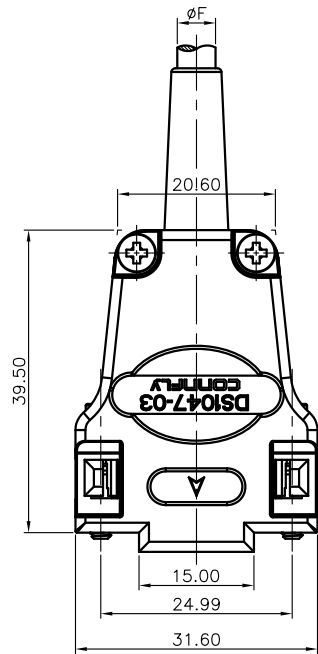


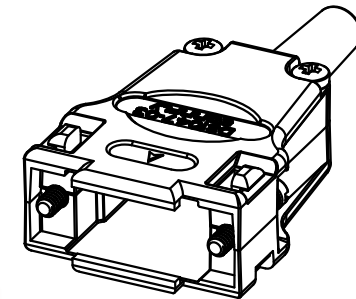
	ϕF
W/ SR	$\phi 6.5$
W/O SR	$\phi 3.0 \sim \phi 9.5$

REV.	DESCRIPTION	DRAWN	CHECKED	APPROVED
A	NEW RELEASE	YCH 03/22/11'	~	LJC 03/22/11'
B	ADD P/N CODE	YCH 12/07/13'	~	LJC 12/07/13'
C	Arrange Drawing	JLZ 08/17/15'	HZW 08/17/15'	LJC 08/17/15'



NOTES:
 1. PART NUMBER CODE:
 DS1047-03 - 09 X X X - X

- LOGO Support
- X: W/O LOGO
- N/A: CONNFLY LOGO
- SR Support
- S: W/ SR
- X: W/O SR
- Packing type
- 1: Mix packing
- 2: Separation packing
- Cover Material
- M: Metal(Znic alloy)
- Positions
- 09: 9pin



BOM LIST			
ITEM	PART NAME	Q'ty	NOTES
1	SCREW	2	M2.5
2	METAL HOOD-1	1	Znic alloy
3	WASHER	1	
4	SR	1	
5	STRAIN RELIEF	1	
6	BOLT	2	UNC 4-40
7	LATCH-1	1	
8	LATCH-2	1	
9	METAL HOOD-2	1	Znic alloy
10	SCREW	2	M2.5

GENERAL TOLERANCE		ANGLE TOLERANCE		PROJECTION	TITLE	D-SUB 9pin Metal Hoods Straight Cable Outlet Type	
X.	± 0.60	X.	$\pm 5^\circ$		mm	SHEET	DS1047-03 SERIES
.X	± 0.38	.X	$\pm 3^\circ$		A4		
.XX	± 0.25	.XX	$\pm 2^\circ$				
DRAWING TYPE		CUSTOMER		晨翔电子有限公司 CONNFLY ELECTRONIC CO., LTD			
SCALE		1:1					
DRAWING NO.		C-DS1047-03-09XXX-X					

TYPE A		
W/ SR	SR	φ6.5
W/O SR	SR	φ3.0~φ9.5
TYPE B		
W/ SR	SR	φ9.0
W/O SR	SR	φ8.5~φ12.5

REV.	DESCRIPTION	DRAWN	CHECKED	APPROVED
A	NEW RELEASE	YCH 03/22/11'	~	LJC 03/22/11'
B	ADD P/N CODE	YCH 12/07/13'	~	LJC 12/07/13'
C	Arrange Drawing	JLZ 08/17/15'	HZW 08/17/15'	LJC 08/17/15'

NOTES:

1. PART NUMBER CODE:

DS1047-03 - 15 X X X X - X

LOGO Support
X: W/O LOGO
N/A: CONNFLY LOGO

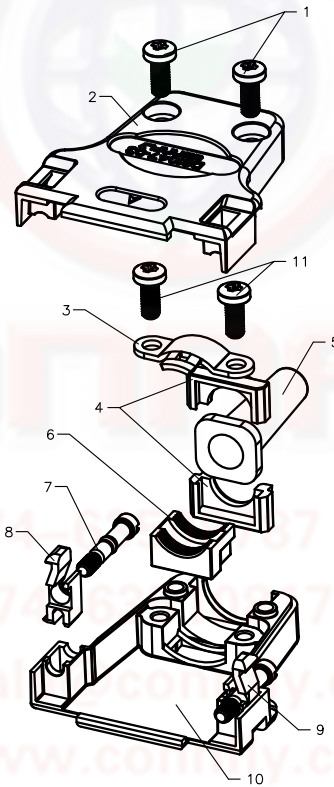
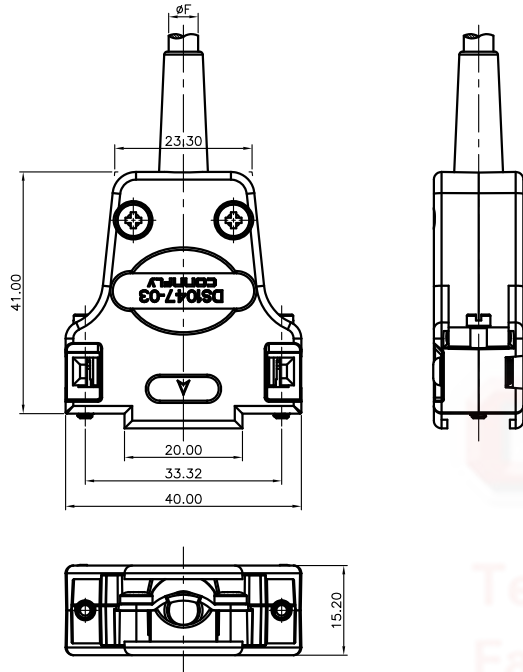
SR Support
S: W/ SR
X: W/O SR

Type Support
A: Type A
B: Type B

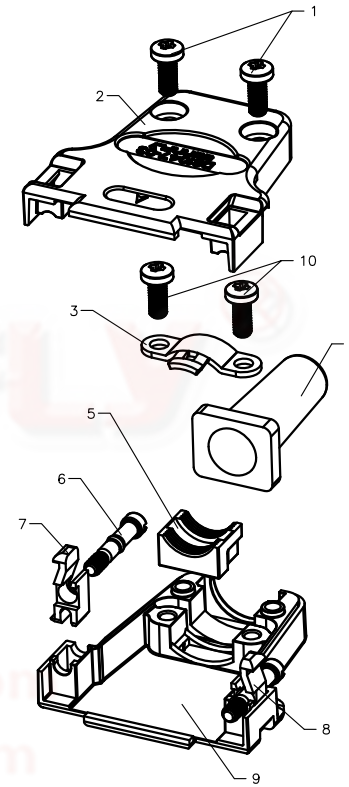
Packing type
1: Mix packing
2: Separation packing

Cover Material
M: Metal(Znic alloy)

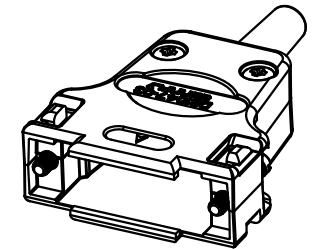
Positions
15: 15pin



TYPE A



TYPE B



TYPE A BOM LIST			
ITEM	PART NAME	Q'ty	NOTES
1	SCREW	2	M3
2	METAL HOOD-1	1	Znic alloy
3	WASHER	1	
4	CABLE REDUCTION PLATE	2	
5	SR	1	
6	STRAIN RELIEF	1	
7	BOLT	2	UNC 4-40
8	LATCH-1	1	
9	LATCH-2	1	
10	METAL HOOD-2	1	Znic alloy
11	SCREW	2	M3

TYPE B BOM LIST			
ITEM	PART NAME	Q'ty	NOTES
1	SCREW	2	M3
2	METAL HOOD-1	1	Znic alloy
3	WASHER	1	
4	SR	1	
5	STRAIN RELIEF	1	
6	BOLT	2	UNC 4-40
7	LATCH-1	1	
8	LATCH-2	1	
9	METAL HOOD-2	1	Znic alloy
10	SCREW	2	M3

GENERAL TOLERANCE		ANGLE TOLERANCE	
X.	±0.60	X.	±5°
.X	±0.38	.X	±3°
.XX	±0.25	.XX	±2°

PROJECTION	TITLE	D-SUB 15pin Metal Hoods Straight Cable Outlet Type	
UNITS	mm		
SHEET SIZE	A4	SERIES	DS1047-03 SERIES

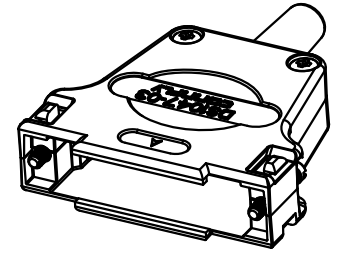
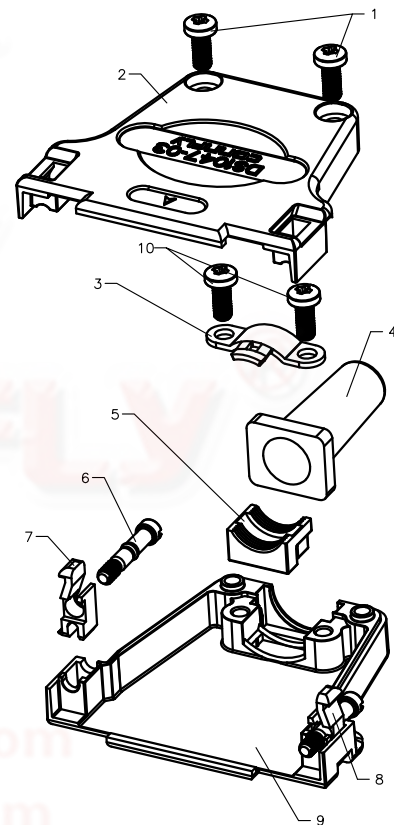
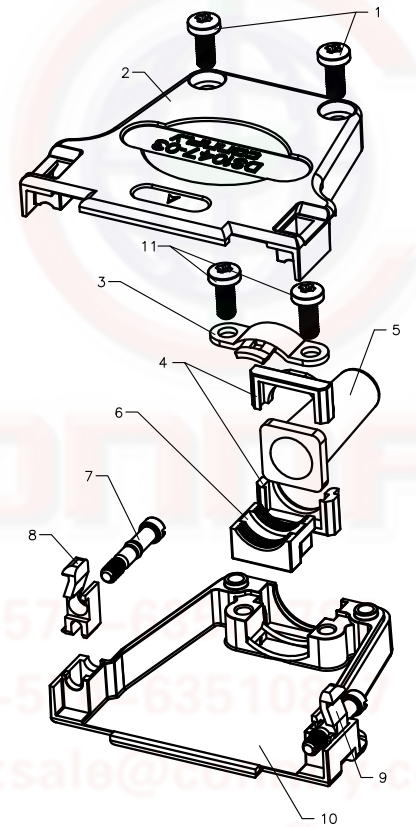
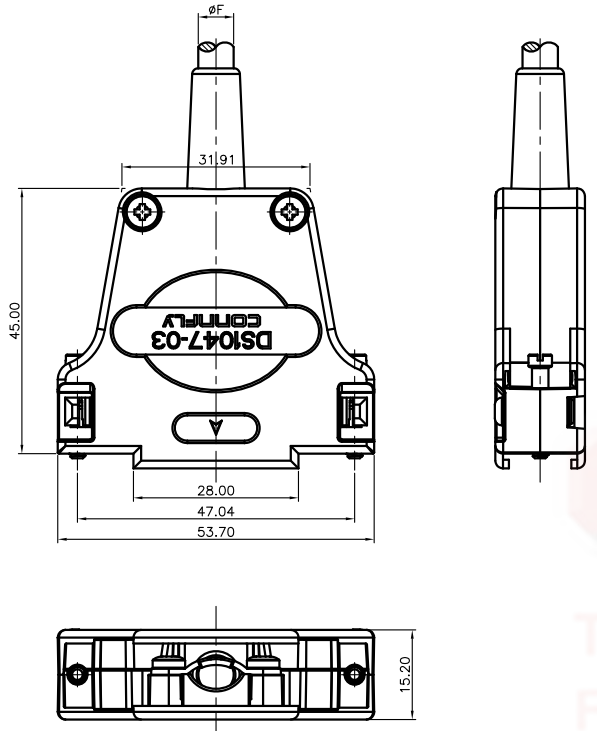
DRAWING TYPE	CUSTOMER		
SCALE	1:1	SHEET	1 OF 1
DRAWING NO.	C-DS1047-03-15XXXX-X		


晨翔电子有限公司
CONNFLY® CONNFLY ELECTRONIC CO., LTD

		φF	
TYPE A	W/ SR	φ8	
	W/O SR	φ3.0~φ8.5	
TYPE B	W/ SR	φ9.0	
	W/O SR	φ8.5~φ12.5	

REV.	DESCRIPTION	DRAWN	CHECKED	APPROVED
A	NEW RELEASE	YCH 03/22/11'	~	LJC 03/22/11'
B	ADD P/N CODE	YCH 12/07/13'	~	LJC 12/07/13'
C	Arrange Drawing	JLZ 08/17/15'	HZW 08/17/15'	LJC 08/17/15'

NOTES:
 1. PART NUMBER CODE:
 DS1047-03 - 25 X X X X - X
 LOGO Support
 X: W/O LOGO
 N/A: CONNFLY LOGO
 SR Support
 S: W/ SR
 X: W/O SR
 Type Support
 A: Type A
 B: Type B
 Packing type
 1: Mix packing
 2: Separation packing
 Cover Material
 M: Metal(Znic alloy)
 Positions
 25: 25pin




ITEM	PART NAME	Q'ty	NOTES
1	SCREW	2	M3
2	METAL HOOD-1	1	Znic alloy
3	WASHER	1	
4	CABLE REDUCTION PLATE	2	
5	SR	1	
6	STRAIN RELIEF	1	
7	BOLT	2	UNC 4-40
8	LATCH-1	1	
9	LATCH-2	1	
10	METAL HOOD-2	1	Znic alloy
11	SCREW	2	M3

ITEM	PART NAME	Q'ty	NOTES
1	SCREW	2	M3
2	METAL HOOD-1	1	Znic alloy
3	WASHER	1	
4	SR	1	
5	STRAIN RELIEF	1	
6	BOLT	2	UNC 4-40
7	LATCH-1	1	
8	LATCH-2	1	
9	METAL HOOD-2	1	Znic alloy
10	SCREW	2	M3

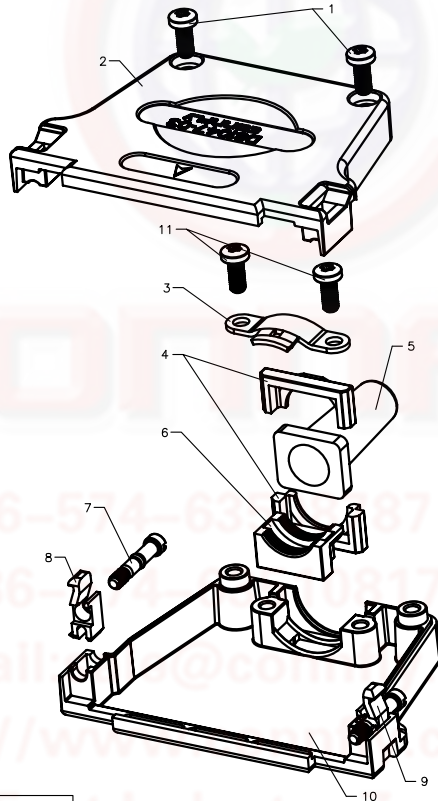
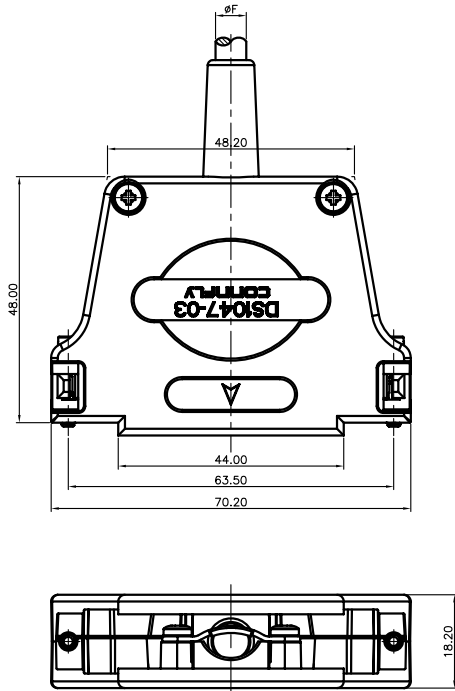
GENERAL TOLERANCE		ANGLE TOLERANCE	
X.	±0.60	X.	±5°
.X	±0.38	.X	±3°
.XX	±0.25	.XX	±2°

PROJECTION	TITLE	D-SUB 25pin Metal Hoods Straight Cable Outlet Type	
UNITS	mm	SERIES	DS1047-03 SERIES
SHEET SIZE	A4	SERIES	DS1047-03 SERIES

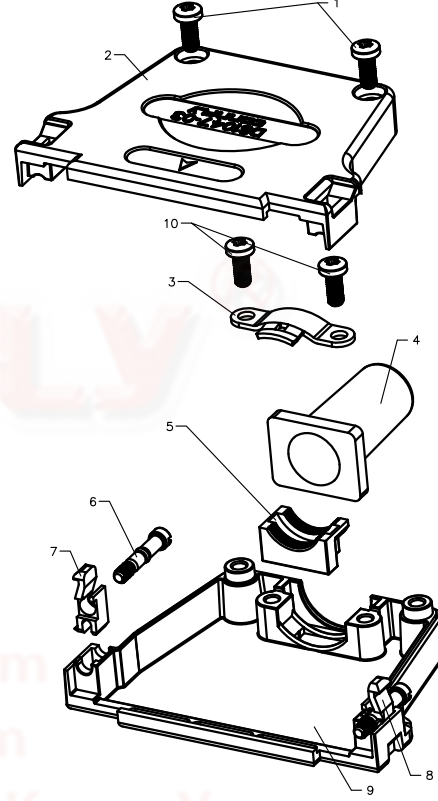
DRAWING TYPE	CUSTOMER		
SCALE	1:1	SHEET	1 OF 1
DRAWING NO.	C-DS1047-03-25XXXX-X		


晨翔电子有限公司
CONNFLY® CONNFLY ELECTRONIC CO., LTD

φF		
TYPE A	W/ SR	φ9
	W/O SR	φ3.0~φ12.0
TYPE B	W/ SR	φ11.5
	W/O SR	φ12.0~φ15.0



TYPE A



TYPE B

NOTES:

1. PART NUMBER CODE:

DS1047-03 - 37 X X X X - X

- LOGO Support
- X: W/O LOGO
- N/A: CONNFLY LOGO
- SR Support
- S: W/ SR
- X: W/O SR
- Type Support
- A: Type A
- B: Type B
- Packing type
- 1: Mix packing
- 2: Separation packing
- Cover Material
- M: Metal(Znic alloy)
- Positions
- 37: 37pin

REV.	DESCRIPTION	DRAWN	CHECKED	APPROVED
A	NEW RELEASE	YCH 03/22/11'	~	LJC 03/22/11'
B	ADD P/N CODE	YCH 12/07/13'	~	LJC 12/07/13'
C	Arrange Drawing	JLZ 08/17/15'	HZW 08/17/15'	LJC 08/17/15'


TYPE A BOM LIST			
ITEM	PART NAME	Q'ty	NOTES
1	SCREW	2	M3
2	METAL HOOD-1	1	Znic alloy
3	WASHER	1	
4	CABLE REDUCTION PLATE	2	
5	SR	1	
6	STRAIN RELIEF	1	
7	BOLT	2	UNC 4-40
8	LATCH-1	1	
9	LATCH-2	1	
10	METAL HOOD-2	1	Znic alloy
11	SCREW	2	M3

TYPE B BOM LIST			
ITEM	PART NAME	Q'ty	NOTES
1	SCREW	2	M3
2	METAL HOOD-1	1	Znic alloy
3	WASHER	1	
4	SR	1	
5	STRAIN RELIEF	1	
6	BOLT	2	UNC 4-40
7	LATCH-1	1	
8	LATCH-2	1	
9	METAL HOOD-2	1	Znic alloy
10	SCREW	2	M3

GENERAL TOLERANCE		ANGLE TOLERANCE	
X.	±0.60	X.	±5°
.X	±0.38	.X	±3°
.XX	±0.25	.XX	±2°

PROJECTION	TITLE	D-SUB 37pin Metal Hoods	
UNITS	mm	Straight Cable Outlet Type	
SHEET SIZE	A4	SERIES	DS1047-03 SERIES

DRAWING TYPE	COSTOMER		
SCALE	1:1	SHEET	1 OF 1
DRAWING NO.	C-DS1047-03-37XXXX-X		


晨翔电子有限公司
CONNFLY® CONNFLY ELECTRONIC CO., LTD