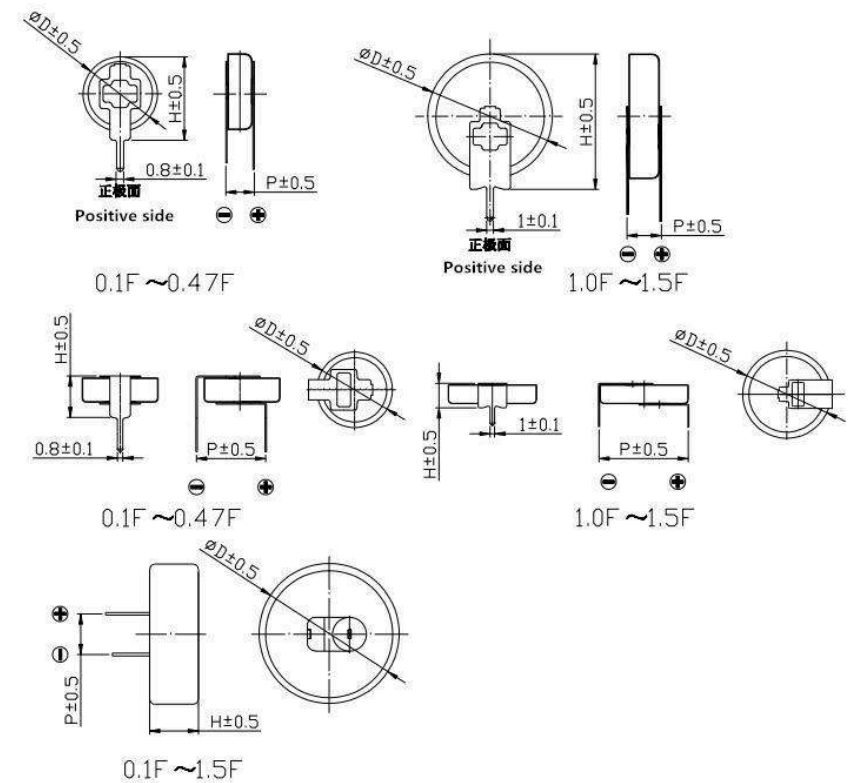


# Specification and Drawing of 0.1F~1.5F 5.5V Super Capacitor

Series name	SE Series
Type name	SE -5R5-D
Rated voltage VR	5.5V
Surge voltage	5.8V
Capacity range	0.1F~1.5F
Operating temperature range	-25~ +70°C
Product life	Normal temperature cycle life: 25°C, 1 million cycles between VR and 1/2VR, Capacity attenuation $\leq$ 30%, ESR change $\leq$ 4 times.
	High temperature endurance life: 70°C, maintain VR, 1000 hours. Capacity attenuation $\leq$ 30%, ESR change $\leq$ 4 times



## Key Features of 0.1F~1.5F 5.5V Super Capacitor

## SE-5R5-D (Coin type series ultra super capacitor) Product performance list

Model	Capacity	ESR&Omega;		Product size (mm)		
	F	DC	AC 1kHz	Diameter	Height	Pin distance
SE-5R5-D104VYC3H	0.1	100	50	13.0	6.5	5
SE-5R5-D104VYH3E	0.1	100	50	11.5	6.4	10.5
SE-5R5-D104VYV3C	0.1	100	50	11.5	12.33	4.7
SE-5R5-D224VYC3H	0.22	80	40	13.0	6.5	5
SE-5R5-D224VYH3E	0.22	80	40	11.5	6.4	10.5
SE-5R5-D224VYV3C	0.22	80	40	11.5	12.3	4.7
SE-5R5-D334VYC3H	0.33	80	40	13.0	6.5	5
SE-5R5-D334VYH3E	0.33	80	40	11.5	6.4	10.5
SE-5R5-D334VYV3C	0.33	80	40	11.5	12.3	4.7
SE-5R5-D474VYC3H	0.47	80	40	13.0	6.5	5
SE-5R5-D474VYH3E	0.47	80	40	11.5	6.4	10.5
SE-5R5-D474VYV3C	0.47	80	40	11.5	12.3	4.7

SE-5R5-D684VYC3G	0.68	30	15	20.5	7	6
SE-5R5-D684VYC3H	0.68	30	15	20.5	7.4	5
SE-5R5-D684VYH3C	0.68	30	15	18.7	5.5	20
SE-5R5-D684VYV3C	0.68	30	15	18.7	20.2	5
SE-5R5-D105VYC3G	1	30	15	20.5	7	6
SE-5R5-D105VYC3H	1	30	15	20.5	7.4	5
SE-5R5-D105VYH3C	1	30	15	18.7	5.5	20
SE-5R5-D105VYV3C	1	30	15	18.7	20.2	5
SE-5R5-D155VYC3G	1.5	20	10	20.5	7	6
SE-5R5-D155VYC3H	1.5	20	10	20.5	7.4	5
SE-5R5-D155VYH3C	1.5	20	10	18.7	5.5	20
SE-5R5-D155VYV3C	1.5	20	10	18.7	20.2	5