

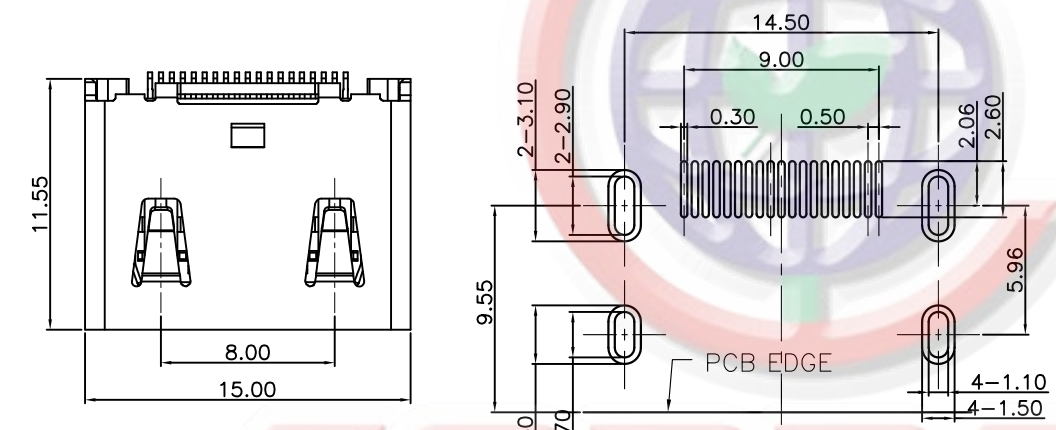
REV.	DESCRIPTION	DRAWN	CHECKED	APPROVED
A	NEW RELEASE	HP 18/07/05		LJC 18/07/05
B	ADD PACKING TYPE	JLZ 06/02/15'	HZW 06/02/15'	LJC 06/02/15'
C	DRAWING UPDATE	JLZ 04/19/18'		

NOTES:

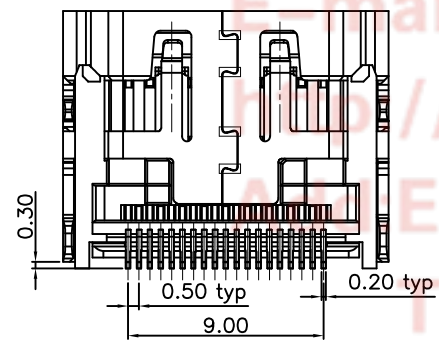
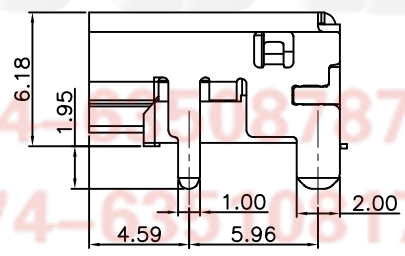
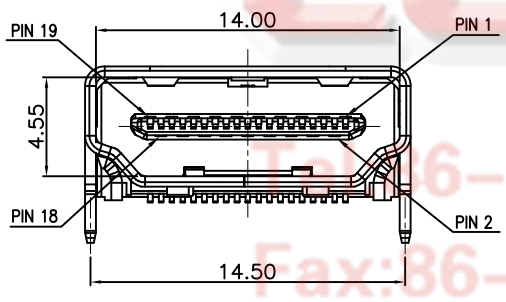
- MATERIALS
  - Insulator: thermoplastic, UL 94V-0 Rated
  - Contacts: Copper Alloy
  - Shell: Copper Alloy
- SPECIFICATION
  - Contact resistance: 50mΩ max.
  - Insulation resistance: 100MΩ min.
  - Dielectric withstanding voltage: 100 VAC 1 minute.
  - Temperature range: -20°C to +85°C.
- PRODUCT NUMBER CODE:
 

DS1114 - X X X X X

  - Packing type  
R: Tape on reel  
T: Tray
  - MYLAR SUPPORT  
X: W/O mylar
  - Contact plating  
0: selective gold flash  
C: selective 3u" gold  
1: selective 10u" gold  
3: selective 30u" gold
  - Shell plating  
N: Nickel
  - Color of housing  
B: Black



RECOMMEND P.C.B LAYORT  
(Tolerance±0.05)



GENERAL TOLERANCE	ANGLE TOLERANCE
X. ±0.60	X. ±5°
.X ±0.38	.X ±3°
.XX ±0.25	.XX ±2°

PROJECTION	TITLE
	HDMI 19PIN Female SMT WITHOUT FLANGE
UNITS	mm
SHEET SIZE	A4
SERIES	DS1114

DRAWING TYPE	CUSTOMER
SCALE	1:1 SHEET 1 OF 1
DRAWING NO.	C-DS1114-XXXXX-C

晨翔电子有限公司  
CONNFLY CONNFLY ELECTRONIC CO. LTD

Tel: 36-574-6508/87  
Fax: 36-574-6505/17  
E-mail: sale@connfly.com  
http://www.connfly.com  
East Industry Zone  
Town Changshu China  
P.O: 315333