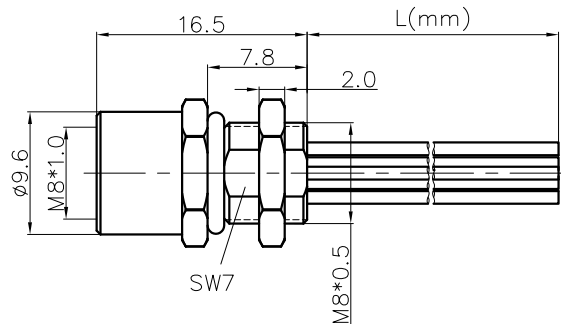
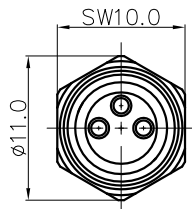


REVISION RECORD

REV	ECN	DESCRIPTION	DRFT	DATE
-----	-----	-------------	------	------



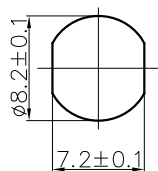
NOTES:

- Rated voltage/current : 3pin: 60V / 3A
4pin: 60V / 3A
5pin: 30V / 3A
6pin: 30V / 1.5A
8pin: 30V / 1.5A
- Withstanding voltage : 3,4pin: AC850V/1Min
5,6,8pin: AC650V/1Min
- Levels of protection: IP67
- Wire specifications :
3pin: 24AWG/0.25mm², UL1061
4pin: 24AWG/0.25mm², UL1061
5pin: 24AWG/0.25mm², UL1061
6pin: 26AWG/0.14mm², UL1061
8pin: 26AWG/0.14mm², UL1061
- Wire connection mode: soldering
- Operating temperature: -25°C~+80°C
- For Panel Thickness Range: 2.0~3.0mm
- RoHS Compliance
- Tolerance :
.X ±0.25mm
.XX ±0.1mm
Angles ±1°

SD-M8X-XXP-FF-SH7BXX-00A(H)

Coding: A,B
Pin number: 03,04,
05,06,08

XX: 150~1500mm
15: 150±15mm
30: 300±20mm
50: 500±20mm
A0: 1000±40mm
A5: 1500±40mm
Wire Length(L): 150~1500mm



Panel cut

3pin A Coding	4pin A Coding	5pin B Coding	6pin A Coding	8pin A Coding
Pin Assignment Front View	Pin Assignment Front View	Pin Assignment Front View	Pin Assignment Front View	Pin Assignment Front View
				8 Red
				7 Blue
			6 Pink	6 Pink
		5 Gray	5 Gray	5 Gray
4 Black	4 Black	4 Black	4 Black	4 Yellow
3 Blue	3 Blue	3 Blue	3 Blue	3 Green
	2 White	2 White	2 White	2 Brown
1 Brown	1 Brown	1 Brown	1 Brown	1 White
Pin Wire Color	Pin Wire Color	Pin Wire Color	Pin Wire Color	Pin Wire Color
Pin Out	Pin Out	Pin Out	Pin Out	Pin Out

DETACHED LISTS	PART NO.: SDM8XXXPPFFSH7BXX00AH		宁波高松电子有限公司 NINGBO DEGSON ELECTRICAL CO., LTD	
	APPD:	NAME: SD-M8X-XXP-FF-SH7BXX-00A(H)		
	CHKD:	TITLE: CUSTOMER DRAWING		
	DRFT: SQ 2019.05.17	REV	D0-1	
		DRAWING NO.: XXXXXXX-XX-CXX	SHEET	1/1
THIRD ANGLE PROJECTION		MM (INCH)	DO NOT SCALE DRAWING	SCALE 1:1