

RST®

INSTALL **EFFICIENTLY**

Pluggable electrical installation systems
in highest IP rating.

HELLO WIELAND ELECTRIC

Over 100 years of safe connections.


As the inventor of safe electrical connection technology, we are committed to individual and safe system solutions.

Together with our broad product portfolio we offer comprehensive services for industrial applications as well as building installation and lighting technology. This experience amounts to Wieland being the global market leader for pluggable, electrical installations in commercial buildings and a dependable partner for machine safety. Our solutions are designed for the secure safety of your team, ensuring that integration of our system is fast and easy while saving time and costs. Thanks to our modular solutions your requirements can be satisfied in a fast, flexible, and fail-safe way.

We operate worldwide with subsidiaries, production facilities, and sales partners and have an excellent global network. Our specialist teams are supporting customers and projects across the globe - personally and individually. Our competences in engineering, production, and logistics processes are interlinked with each other for maximum efficiency.

We are looking forward to exploring all partnership opportunities with you.


1910
founded in
Bamberg


1600+
employees
worldwide


6
production
sites


70+
countries
worldwide

CONTENT

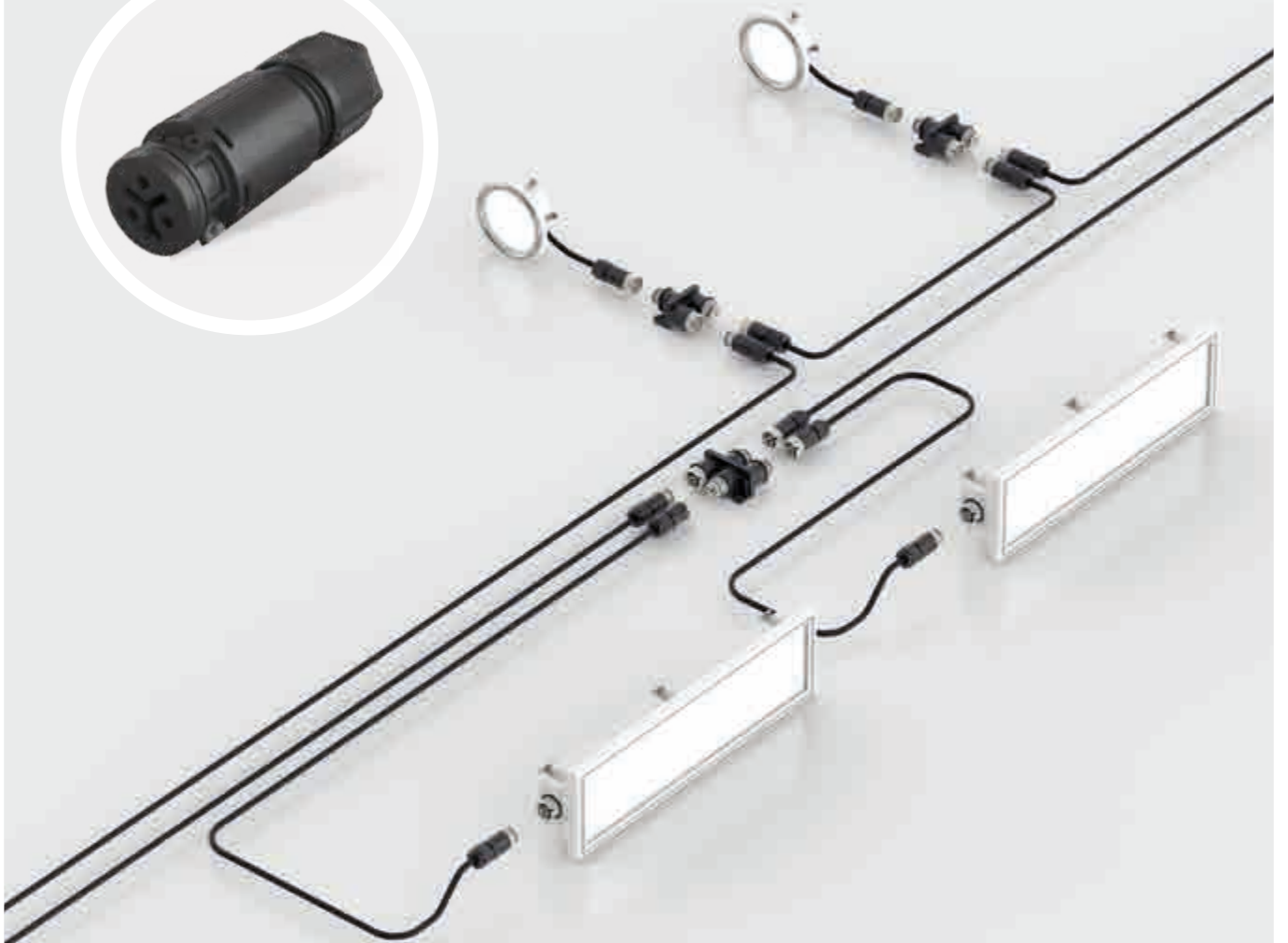
RST® MICRO	Introduction – RST08 codings	4
	RST08i2 Plug connectors, device connectors, distributors, cable assemblies, 2-pole	6
	RST08i3 Plug connectors, device connectors, distributors, cable assemblies, 3-pole	12
	RST08 Accessories	18
RST® MINI	Introduction – RST16 codings	20
	RST16i2 Plug connectors, device connectors, distributors, cable assemblies, 2-pole	22
	RST16i3 Plug connectors, device connectors, distributors, cable assemblies, 3-pole	28
	RST16i4 Plug connectors, device connectors, distributors, cable assemblies, 4-pole	34
	RST16i5 Plug connectors, device connectors, distributors, cable assemblies, 5-pole	38
	RST16 Accessories	44
RST® CLASSIC	Introduction – RST20/25 codings	46
	RST20i2 Plug connectors, device connectors, distributors, cable assemblies, 2-pole	48
	RST20i3 Plug connectors, device connectors, distributors, cable assemblies, 3-pole	62
	RST20i4 Plug connectors, device connectors, distributors, cable assemblies, 4-pole	82
	RST20i5 Plug connectors, device connectors, distributors, cable assemblies, 5-pole	94
	RST20i6 Plug connectors, device connectors, 6-pole	110
	RST20i7 Plug connectors, device connectors, 7-pole	122
	RST25i3 Plug connectors, device connectors, cable assemblies, 3-pole	134
	RST25i5 Plug connectors, device connectors, cable assemblies, 5-pole	142
	RST20/25 Accessories	150
RST® POWER	Introduction – RST50 codings	158
	RST50i4 Plug connectors, device connectors, 4-pole	160
	RST50i5 Plug connectors, device connectors, 5-pole	162
	RST50 Accessories	164
Facts & Data	General notes + Technical data	166
Index		200
General information + contacts		214

Information regarding limits of use, notes, materials used can be found in Facts & Data.



RST[®] MICRO

The miniature connector for LED lamps, signals and mains.



FEATURES

- + 2 and 3-pole
- + 8 A rated current
- + Optionally available in the barrier seal version (water stop)
- + Mechanical + color coding

RST08i2



Mechanical coding (pole configuration based on female connector)	black	light blue	slate gray	pebble gray
Rated isolation voltage of the system	250/400 V	250/400 V	250/400 V	250/400 V
Operating voltage (application)	250 V	250/400 V	~50/-120 V	~50/-120 V

RST08i3



Mechanical coding (pole configuration based on female connector)	black	light blue	slate gray	pebble gray
Rated isolation voltage of the system	250/400 V	250/400 V	250/400 V	250/400 V
Operating voltage (application)	250 V	250/400 V	~50/-120 V	~50/-120 V

RST08I2, CONNECTOR, 2-POLE

SCREW CONNECTION

TECHNICAL DATA

Rated current:	8 A	Cross section fine-stranded:	0,22 mm ² - 1 mm ²
Degree of protection (IP):	IP66/68 (3m;2h) /IP69	Connection cross section solid:	0,2 mm ² - 1 mm ²
Terminations per pole:	1	Additional technical data, see facts & data.	
Lockable:	self-locking (unlocking by hand)		

female

male



straight, for cables Ø 4-7 mm, with longitudinal sealing

female

male

Color of coding	Application	Marking of poles	Art.No.	Art.No.
■ black	250/400 V	1, 2/N	4L.021.3043.1	4L.022.3043.1
■ light blue	250/400 V	1, 2/N	4L.021.3043.9	4L.022.3043.9
■ pebble grey	~50/-120 V	1, 2	4L.021.3041.8	4L.022.3041.8
■ slate grey	~50/-120 V	1, 2	4L.021.3041.4	4L.022.3041.4

female

male



straight, for cables Ø 4-7 mm

female

male

Color of coding	Application	Marking of poles	Art.No.	Art.No.
■ black	250/400 V	1, 2/N	41.021.3043.1	41.022.3043.1
■ light blue	250/400 V	1, 2/N	41.021.3043.9	41.022.3043.9
■ pebble grey	~50/-120 V	1, 2	41.021.3041.8	41.022.3041.8
■ slate grey	~50/-120 V	1, 2	41.021.3041.4	41.022.3041.4

RST08I2, DEVICE CONNECTOR, M14, 2-POLE

SCREW CONNECTION

TECHNICAL DATA

Rated current:	8 A	Cross section fine-stranded:	0,22 mm ² - 1 mm ²
Degree of protection (IP):	IP66/68 (3m;2h) /IP69	Connection cross section solid:	0,2 mm ² - 1 mm ²
Terminations per pole:	1	Additional technical data, see facts & data.	
Lockable:	self-locking (unlocking by hand)		

female

male



standard, straight, with longitudinal sealing

Color of coding	Application	Marking of poles	female Art.No.	male Art.No.
■ black	250/400 V	1, 2/N	4L.021.4043.1	4L.022.4043.1
■ light blue	250/400 V	1, 2/N	4L.021.4043.9	4L.022.4043.9
■ pebble grey	~50/-120 V	1, 2	4L.021.4041.8	4L.022.4041.8
■ slate grey	~50/-120 V	1, 2	4L.021.4041.4	4L.022.4041.4

female

male



standard, straight

Color of coding	Application	Marking of poles	female Art.No.	male Art.No.
■ black	250/400 V	1, 2/N	41.021.4043.1	41.022.4043.1
■ light blue	250/400 V	1, 2/N	41.021.4043.9	41.022.4043.9
■ pebble grey	~50/-120 V	1, 2	41.021.4041.8	41.022.4041.8
■ slate grey	~50/-120 V	1, 2	41.021.4041.4	41.022.4041.4

RST08I2, DISTRIBUTOR, 2-POLE

TECHNICAL DATA

Rated current:	8 A	Lockable:	self-locking (unlocking by hand)
Degree of protection (IP):	IP66/68 (3m;2h) /IP69	Additional technical data, see facts & data.	



distribution block 1I / 20, parallel connection, with fastening option

Color of coding	Application	Marking of poles	Art.No.
■ black	250/400 V	1, 2/N	4L.020.1143.1
■ light blue	250/400 V	1, 2/N	4L.020.1143.9
■ slate grey	~50/-120 V	1, 2	4L.020.1141.4



distribution block 1I / 20, series connection, with fastening option

Color of coding	Application	Marking of poles	Art.No.
■ pebble grey	~50/-120 V	1, 2	4L.020.1241.8



distribution block 1I / 30, parallel connection, with fastening option

Color of coding	Application	Marking of poles	Art.No.
■ black	250/400 V	1, 2/N	4L.020.0143.1
■ light blue	250/400 V	1, 2/N	4L.020.0143.9
■ slate grey	~50/-120 V	1, 2	4L.020.0141.4



distribution block 1I / 30, series connection, with fastening option

Color of coding	Application	Marking of poles	Art.No.
■ pebble grey	~50/-120 V	1, 2	4L.020.0241.8

RST08I2, CABLE ASSEMBLY, 2-POLE

0.75 mm², 6 A



TECHNICAL DATA

Rated current:	6 A	type of construction:	Cable screw gland
Degree of protection (IP):	IP66/68 (3m;2h) /IP69	Additional technical data, see facts & data.	
Lockable:	self-locking (unlocking by hand)		

connecting cable, female - male

H05RN-F halogenated

Cable color:
Color of coding: ■ black
Application: 250/400 V
Marking of poles: 1, 2/N
with longitudinal sealing

Cable color:
Color of coding: ■ black
Application: 250/400 V
Marking of poles: 1, 2/N

Cable color:
Color of coding: ■ light blue
Application: 250/400 V
Marking of poles: 1, 2/N

Cable color:
Color of coding: ■ pebble grey
Application: ~50/-120 V
Marking of poles: 1, 2
with longitudinal sealing

Cable color:
Color of coding: ■ pebble grey
Application: ~50/-120 V
Marking of poles: 1, 2

Cable color:
Color of coding: ■ slate grey
Application: ~50/-120 V
Marking of poles: 1, 2

Length (m)	Art.No.
	■ black
0.5	4L.427.0530.1
1	4L.427.1030.1
1.5	4L.427.1530.1
2	4L.427.2030.1
2.5	4L.427.2530.1
3	4L.427.3030.1
4	4L.427.4030.1
	■ black
0.5	41.427.0530.1
1	41.427.1030.1
1.5	41.427.1530.1
2	41.427.2030.1
2.5	41.427.2530.1
3	41.427.3030.1
4	41.427.4030.1
	■ black
0.5	41.427.0530.9
1	41.427.1030.9
1.5	41.427.1530.9
2	41.427.2030.9
2.5	41.427.2530.9
3	41.427.3030.9
4	41.427.4030.9
	■ black
0.5	4L.427.0532.8
1	4L.427.1032.8
1.5	4L.427.1532.8
2	4L.427.2032.8
2.5	4L.427.2532.8
3	4L.427.3032.8
4	4L.427.4032.8
	■ black
0.5	41.427.0532.8
1	41.427.1032.8
1.5	41.427.1532.8
2	41.427.2032.8
2.5	41.427.2532.8
3	41.427.3032.8
4	41.427.4032.8
	■ black
0.5	41.427.0532.4
1	41.427.1032.4
1.5	41.427.1532.4
2	41.427.2032.4
2.5	41.427.2532.4
3	41.427.3032.4
4	41.427.4032.4

RST® MICRO

RST08I2, CABLE ASSEMBLY, 2-POLE

0.75 mm², 6 A



TECHNICAL DATA

Rated current:	6 A	Preparation of conductor ends:	ultrasonically compressed wire ends
Degree of protection (IP):	IP66/68 (3m;2h) /IP69	type of construction:	Cable screw gland
Lockable:	self-locking (unlocking by hand)	Additional technical data, see facts & data.	

connection cable, female - free end

H05RN-F halogenated

Cable color:
Color of coding: ■ black
Application: 250/400 V
Marking of poles: 1, 2/N
with longitudinal sealing

Cable color:
Color of coding: ■ black
Application: 250/400 V
Marking of poles: 1, 2/N

Cable color:
Color of coding: ■ light blue
Application: 250/400 V
Marking of poles: 1, 2/N

Cable color:
Color of coding: ■ pebble grey
Application: ~50/-120 V
Marking of poles: 1, 2
with longitudinal sealing

Cable color:
Color of coding: ■ pebble grey
Application: ~50/-120 V
Marking of poles: 1, 2

Cable color:
Color of coding: ■ slate grey
Application: ~50/-120 V
Marking of poles: 1, 2

Length (m)	Art.No.
	■ black
0.5	4L.427.0533.1
1	4L.427.1033.1
1.5	4L.427.1533.1
2	4L.427.2033.1
2.5	4L.427.2533.1
3	4L.427.3033.1
4	4L.427.4033.1
	■ black
0.5	41.427.0533.1
1	41.427.1033.1
1.5	41.427.1533.1
2	41.427.2033.1
2.5	41.427.2533.1
3	41.427.3033.1
4	41.427.4033.1
	■ black
0.5	41.427.0533.9
1	41.427.1033.9
1.5	41.427.1533.9
2	41.427.2033.9
2.5	41.427.2533.9
3	41.427.3033.9
4	41.427.4033.9
	■ black
0.5	41.427.0537.8
1	41.427.1037.8
1.5	41.427.1537.8
2	41.427.2037.8
2.5	41.427.2537.8
3	41.427.3037.8
4	41.427.4037.8
	■ black
1	41.427.1037.8
1.5	41.427.1537.8
2	41.427.2037.8
2.5	41.427.2537.8
3	41.427.3037.8
4	41.427.4037.8
	■ black
0.5	41.427.0537.4
1	41.427.1037.4
1.5	41.427.1537.4
2	41.427.2037.4
2.5	41.427.2537.4
3	41.427.3037.4
4	41.427.4037.4

RST08I2, CABLE ASSEMBLY, 2-POLE

0.75 mm², 6 A



TECHNICAL DATA

Rated current:	6 A	Preparation of conductor ends:	ultrasonically compressed wire ends
Degree of protection (IP):	IP66/68 (3m;2h) /IP69	type of construction:	Cable screw gland
Lockable:	self-locking (unlocking by hand)	Additional technical data, see facts & data.	

connection cable, male - free end

H05RN-F halogenated

Cable color:
Color of coding: ■ black
Application: 250/400 V
Marking of poles: 1, 2/N
with longitudinal sealing

Cable color:
Color of coding: ■ black
Application: 250/400 V
Marking of poles: 1, 2/N

Cable color:
Color of coding: ■ light blue
Application: 250/400 V
Marking of poles: 1, 2/N

Cable color:
Color of coding: ■ pebble grey
Application: ~50/-120 V
Marking of poles: 1, 2
with longitudinal sealing

Cable color:
Color of coding: ■ pebble grey
Application: ~50/-120 V
Marking of poles: 1, 2

Cable color:
Color of coding: ■ slate grey
Application: ~50/-120 V
Marking of poles: 1, 2

Length (m)	Art.No.
	■ black
0.5	4L.427.0534.1
1	4L.427.1034.1
1.5	4L.427.1534.1
2	4L.427.2034.1
2.5	4L.427.2534.1
3	4L.427.3034.1
4	4L.427.4034.1
	■ black
0.5	41.427.0534.1
1	41.427.1034.1
1.5	41.427.1534.1
2	41.427.2034.1
2.5	41.427.2534.1
3	41.427.3034.1
4	41.427.4034.1
	■ black
0.5	41.427.0534.9
1	41.427.1034.9
1.5	41.427.1534.9
2	41.427.2034.9
2.5	41.427.2534.9
3	41.427.3034.9
4	41.427.4034.9
	■ black
0.5	41.427.0538.8
1	41.427.1038.8
1.5	41.427.1538.8
2	41.427.2038.8
2.5	41.427.2538.8
3	41.427.3038.8
4	41.427.4038.8
	■ black
1	41.427.1038.8
1.5	41.427.1538.8
2	41.427.2038.8
2.5	41.427.2538.8
3	41.427.3038.8
4	41.427.4038.8
	■ black
0.5	41.427.0538.4
1	41.427.1038.4
1.5	41.427.1538.4
2	41.427.2038.4
2.5	41.427.2538.4
3	41.427.3038.4
4	41.427.4038.4

RST® MICRO

RST08I3, CONNECTOR, 3-POLE

SCREW CONNECTION

TECHNICAL DATA

Rated current:	8 A	Cross section fine-stranded:	0,22 mm ² - 1 mm ²
Degree of protection (IP):	IP66/68 (3m;2h) /IP69	Connection cross section solid:	0,2 mm ² - 1 mm ²
Terminations per pole:	1	Additional technical data, see facts & data.	
Lockable:	self-locking (unlocking by hand)		

female

male



straight, for cables Ø 4-7 mm, with longitudinal sealing

female

male

Color of coding	Application	Marking of poles	Art.No.	Art.No.
■ black	250/400 V with PE	1, PE, 2/N	4L.031.3053.1	4L.032.3053.1
■ light blue	250/400 V	1, 2/N, 3	4L.031.3043.9	4L.032.3043.9
■ pebble grey	~50/-120 V with PE	1, 2, PE	4L.031.3051.8	4L.032.3051.8
■ slate grey	~50/-120 V	1, 2, 3	4L.031.3041.4	4L.032.3041.4

female

male



straight, for cables Ø 4-7 mm

female

male

Color of coding	Application	Marking of poles	Art.No.	Art.No.
■ black	250/400 V with PE	1, PE, 2/N	41.031.3053.1	41.032.3053.1
■ light blue	250/400 V	1, 2/N, 3	41.031.3043.9	41.032.3043.9
■ pebble grey	~50/-120 V with PE	1, 2, PE	41.031.3051.8	41.032.3051.8
■ slate grey	~50/-120 V	1, 2, 3	41.031.3041.4	41.032.3041.4

RST08I3, DEVICE CONNECTOR, M14, 3-POLE

SCREW CONNECTION

TECHNICAL DATA

Rated current:	8 A	Cross section fine-stranded:	0,22 mm ² - 1 mm ²
Degree of protection (IP):	IP66/68 (3m;2h) /IP69	Connection cross section solid:	0,2 mm ² - 1 mm ²
Terminations per pole:	1	Additional technical data, see facts & data.	
Lockable:	self-locking (unlocking by hand)		

female

male



standard, straight, with longitudinal sealing

Color of coding	Application	Marking of poles	female Art.No.	male Art.No.
■ black	250/400 V with PE	1, PE, 2/N	4L.031.4053.1	4L.032.4053.1
■ light blue	250/400 V	1, 2/N, 3	4L.031.4043.9	4L.032.4043.9
■ pebble grey	~50/-120 V with PE	1, 2, PE	4L.031.4051.8	4L.032.4051.8
■ slate grey	~50/-120 V	1, 2, 3	4L.031.4041.4	4L.032.4041.4

female

male



standard, straight

Color of coding	Application	Marking of poles	female Art.No.	male Art.No.
■ black	250/400 V with PE	1, PE, 2/N	41.031.4053.1	41.032.4053.1
■ light blue	250/400 V	1, 2/N, 3	41.031.4043.9	41.032.4043.9
■ pebble grey	~50/-120 V with PE	1, 2, PE	41.031.4051.8	41.032.4051.8
■ slate grey	~50/-120 V	1, 2, 3	41.031.4041.4	41.032.4041.4

RST08I3, DISTRIBUTOR, 3-POLE

TECHNICAL DATA

Rated current:	8 A	Lockable:	self-locking (unlocking by hand)
Degree of protection (IP):	IP66/68 (3m;2h) /IP69	Additional technical data, see facts & data.	



distribution block 1I / 2O, parallel connection, with fastening option

Color of coding	Application	Marking of poles	Art.No.
■ black	250/400 V with PE	1, PE, 2/N	4L.030.1153.1
■ light blue	250/400 V	1, 2/N, 3	4L.030.1143.9
■ slate grey	~50/-120 V	1, 2, 3	4L.030.1141.4



distribution block 1I / 2O, series connection, with fastening option

Color of coding	Application	Marking of poles	Art.No.
■ pebble grey	~50/-120 V with PE	1, 2, PE	4L.030.1351.8



distribution block 1I / 3O, parallel connection, with fastening option

Color of coding	Application	Marking of poles	Art.No.
■ black	250/400 V with PE	1, PE, 2/N	4L.030.0153.1
■ light blue	250/400 V	1, 2/N, 3	4L.030.0143.9
■ slate grey	~50/-120 V	1, 2, 3	4L.030.0141.4



distribution block 1I / 3O, series connection, with fastening option

Color of coding	Application	Marking of poles	Art.No.
■ pebble grey	~50/-120 V with PE	1, 2, PE	4L.030.0351.8

RST08I3, CABLE ASSEMBLY, 3-POLE

0.75 mm²



TECHNICAL DATA

Degree of protection (IP): IP66/68 (3m;2h) /IP69
 Lockable: self-locking (unlocking by hand)
 type of construction: Cable screw gland
 Additional technical data, see facts & data.

connecting cable, female - male

H05RN-F halogenated

Cable color:
 Color of coding: ■ black
 Application: 250/400 V with PE
 Marking of poles: 1, PE, 2/N
 with longitudinal sealing

Cable color:
 Color of coding: ■ black
 Application: 250/400 V with PE
 Marking of poles: 1, PE, 2/N

Cable color:
 Color of coding: ■ pebble grey
 Application: ~50/-120 V with PE
 Marking of poles: 1, 2, PE

Cable color:
 Color of coding: ■ pebble grey
 Application: ~50/-120 V with PE
 Marking of poles:
 with longitudinal sealing

Length (m)	Art.No.
	■ black
0.5	4L.437.0530.1
1	4L.437.1030.1
1.5	4L.437.1530.1
2	4L.437.2030.1
2.5	4L.437.2530.1
3	4L.437.3030.1
4	4L.437.4030.1
	■ black
0.5	41.437.0530.1
1	41.437.1030.1
1.5	41.437.1530.1
2	41.437.2030.1
2.5	41.437.2530.1
3	41.437.3030.1
4	41.437.4030.1
	■ black
0.5	41.437.0532.8
1	41.437.1032.8
1.5	41.437.1532.8
2	41.437.2032.8
2.5	41.437.2532.8
3	41.437.3032.8
4	41.437.4032.8
	■ black
0.5	4L.437.0532.8
1	4L.437.1032.8
1.5	4L.437.1532.8
2	4L.437.2032.8
2.5	4L.437.2532.8
3	4L.437.3032.8
4	4L.437.4032.8

RST® MICRO

RST08I3, CABLE ASSEMBLY, 3-POLE

0.75 mm², 6 A



TECHNICAL DATA

Rated current:	6 A	Preparation of conductor ends:	ultrasonically compressed wire ends
Degree of protection (IP):	IP66/68 (3m;2h) /IP69	type of construction:	Cable screw gland
Lockable:	self-locking (unlocking by hand)	Additional technical data, see facts & data.	

connection cable, female - free end

H05RN-F halogenated

Cable color: black
 Color of coding: black
 Application: 250/400 V with PE
 Marking of poles: 1, PE, 2/N
 with longitudinal sealing

Cable color: black
 Color of coding: black
 Application: 250/400 V with PE
 Marking of poles: 1, PE, 2/N

Cable color: pebble grey
 Color of coding: pebble grey
 Application: ~50/-120 V with PE
 Marking of poles: 1, 2, PE
 with longitudinal sealing

Cable color: pebble grey
 Color of coding: pebble grey
 Application: ~50/-120 V with PE
 Marking of poles: 1, 2, PE

Length (m)	Art.No.
	black
0.5	4L.437.0533.1
1	4L.437.1033.1
1.5	4L.437.1533.1
2	4L.437.2033.1
2.5	4L.437.2533.1
3	4L.437.3033.1
4	4L.437.4033.1
	black
0.5	41.437.0533.1
1	41.437.1033.1
1.5	41.437.1533.1
2	41.437.2033.1
2.5	41.437.2533.1
3	41.437.3033.1
4	41.437.4033.1
	black
0.5	4L.437.0537.8
1	4L.437.1037.8
1.5	4L.437.1537.8
2	4L.437.2037.8
2.5	4L.437.2537.8
3	4L.437.3037.8
4	4L.437.4037.8
	black
0.5	41.437.0537.8
1	41.437.1037.8
1.5	41.437.1537.8
2	41.437.2037.8
2.5	41.437.2537.8
3	41.437.3037.8
4	41.437.4037.8

RST08I3, CABLE ASSEMBLY, 3-POLE

0.75 mm², 6 A



TECHNICAL DATA

Rated current:	6 A	Preparation of conductor ends:	ultrasonically compressed wire ends
Degree of protection (IP):	IP66/68 (3m;2h) /IP69	type of construction:	Cable screw gland
Lockable:	self-locking (unlocking by hand)	Additional technical data, see facts & data.	

connection cable, male - free end

H05RN-F halogenated

Cable color: black
 Color of coding: ■ black
 Application: 250/400 V with PE
 Marking of poles: 1, PE, 2/N
 with longitudinal sealing

Cable color: black
 Color of coding: ■ black
 Application: 250/400 V with PE
 Marking of poles: 1, PE, 2/N

Cable color: pebble grey
 Color of coding: ■ pebble grey
 Application: ~50/-120 V with PE
 Marking of poles: 1, 2, PE
 with longitudinal sealing

Cable color: pebble grey
 Color of coding: ■ pebble grey
 Application: ~50/-120 V with PE
 Marking of poles: 1, 2, PE

Length (m)	Art.No.
	■ black
0.5	4L.437.0534.1
1	4L.437.1034.1
1.5	4L.437.1534.1
2	4L.437.2034.1
2.5	4L.437.2534.1
3	4L.437.3034.1
4	4L.437.4034.1
	■ black
0.5	41.437.0534.1
1	41.437.1034.1
1.5	41.437.1534.1
2	41.437.2034.1
2.5	41.437.2534.1
3	41.437.3034.1
4	41.437.4034.1
	■ black
0.5	4L.437.0538.8
1	4L.437.1038.8
1.5	4L.437.1538.8
2	4L.437.2038.8
2.5	4L.437.2538.8
3	4L.437.3038.8
4	4L.437.4038.8
	■ black
0.5	41.437.0538.8
1	41.437.1038.8
1.5	41.437.1538.8
2	41.437.2038.8
2.5	41.437.2538.8
3	41.437.3038.8
4	41.437.4038.8

RST® MICRO

RST08, ACCESSORIES



cover piece for 2-/3-pole, captive against loss, for female

Color

■ black

Art.No.

06.563.5053.1



cover piece for 2-/3-pole, captive against loss, for male

Color

■ black

Art.No.

06.563.5153.1



screwdriver

Art.No.

06.502.6300.0



allen key

Art.No.

06.502.6100.0



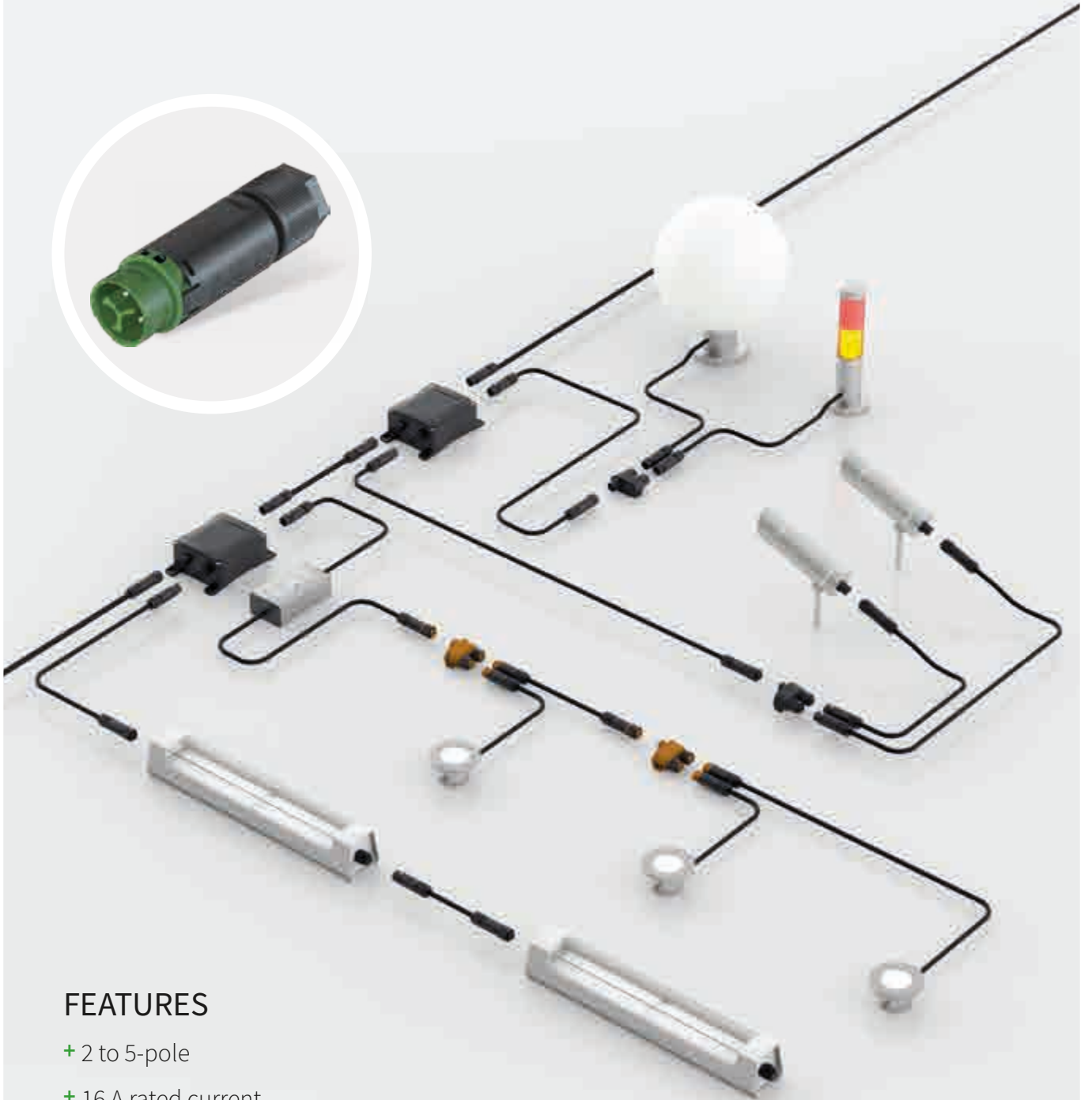
sample case, RST08i3

Art.No.

99.431.0000.1

RST® MINI

The small connectors
for extremely confined spaces.



FEATURES

- + 2 to 5-pole
- + 16 A rated current
- + Mechanical + color coding

RST16i2



Mechanical coding (pole configuration based on female connector)	black	light gray	leaf green	light blue	turquoise	signal brown
Operating voltage (application)	250 V	250/400 V	250/400 V	250/400 V	250/400 V	~50/-120 V

RST16i3



Mechanical coding (pole configuration based on female connector)	black	light gray	leaf green	light blue	turquoise	signal brown
Operating voltage (application)	250 V	250/400 V	250/400 V	250/400 V	250/400 V	~50/-120 V

RST16i4



Mechanical coding (pole configuration based on female connector)	black	light gray	signal brown
Operating voltage (application)	250/400 V	250/400 V	~50/-120 V

RST16i5



Mechanical coding (pole configuration based on female connector)	black	light gray	turquoise	light blue	signal brown
Operating voltage (application)	250/400 V	250/400 V	250 V	250/400 V	~50/-120 V

RST16I2, CONNECTOR, 2-POLE

SCREW CONNECTION

TECHNICAL DATA

Rated current:	16 A	Cross section fine-stranded:	0,25 mm ² - 1,5 mm ²
Degree of protection (IP):	IP66/68 (3m;2h) /IP69	Connection cross section solid:	0,25 mm ² - 2,5 mm ²
Terminations per pole:	1	Additional technical data, see facts & data.	
Lockable:	self-locking (unlocking by hand)		

female

male



straight, for cables Ø 5-9.5 mm

Color of coding	Application	Marking of poles	female Art.No.	male Art.No.
■ black	250 V	L, N	46.031.4554.1*	46.032.4554.1*
□ light grey	250 V	L, N	46.031.4554.0*	46.032.4554.0*
■ leaves green	250/400 V	1, 2	46.031.4556.7*	46.032.4556.7*
■ light blue	250/400 V	1, 2	46.031.4554.9*	46.032.4554.9*
■ turquoise blue	250/400 V	D1, D2	46.031.4551.6*	46.032.4551.6*
■ signal brown	~50/-120 V	1, 2	46.031.4551.4*	46.032.4551.4*

TECHNICAL DATA

Rated current:	16 A	Cross section fine-stranded:	0,25 mm ² - 2,5 mm ²
Degree of protection (IP):	IP66/68 (3m;2h) /IP69	Connection cross section solid:	0,25 mm ² - 2,5 mm ²
Terminations per pole:	1	Additional technical data, see facts & data.	
Lockable:	self-locking (unlocking by hand)		

female

male



straight, for cables Ø 7.1-13 mm

Color of coding	Application	Marking of poles	female Art.No.	male Art.No.
■ black	250 V	L, N	46.031.4454.1	46.032.4454.1
□ light grey	250 V	L, N	46.031.4454.0	46.032.4454.0
■ leaves green	250/400 V	1, 2	46.031.4456.7	46.032.4456.7
■ light blue	250/400 V	1, 2	46.031.4454.9	46.032.4454.9
■ turquoise blue	250/400 V	D1, D2	46.031.4451.6	46.032.4451.6
■ signal brown	~50/-120 V	1, 2	46.031.4451.4	46.032.4451.4

TECHNICAL DATA

Rated current:	16 A	Cross section fine-stranded:	0,25 mm ² - 1,5 mm ²
Degree of protection (IP):	IP66/68 (3m;2h) /IP69	Connection cross section solid:	0,25 mm ² - 2,5 mm ²
Terminations per pole:	1	Additional technical data, see facts & data.	
Lockable:	self-locking (unlocking by hand)		

female

male



straight, for AS-i profile cable

Color of coding	Application	Marking of poles	female Art.No.	male Art.No.
■ turquoise blue	250/400 V	D1, D2	46.031.4951.6*	46.032.4951.6*
■ signal brown	~50/-120 V	1, 2	46.031.4951.4*	46.032.4951.4*

RST16I2, DEVICE CONNECTOR, M16, 2-POLE

SCREW CONNECTION

TECHNICAL DATA

Rated current:	16 A	Cross section fine-stranded:	0,25 mm ² - 1,5 mm ²
Degree of protection (IP):	IP66/68 (3m;2h) /IP69	Connection cross section solid:	0,25 mm ² - 2,5 mm ²
Terminations per pole:	1	Additional technical data, see facts & data.	
Lockable:	self-locking (unlocking by hand)		

female

male



standard, straight

Color of coding	Application	Marking of poles	female Art.No.	male Art.No.
■ black	250 V	L, N	46.031.5054.1*	46.032.5054.1*
□ light grey	250 V	L, N	46.031.5054.0*	46.032.5054.0*
■ leaves green	250/400 V	1, 2	46.031.5056.7*	46.032.5056.7*
■ light blue	250/400 V	1, 2	46.031.5054.9*	46.032.5054.9*
■ turquoise blue	250/400 V	D1, D2	46.031.5051.6*	46.032.5051.6*
■ signal brown	~50/-120 V	1, 2	46.031.5051.4*	46.032.5051.4*

RST16I2, DISTRIBUTOR, 2-POLE

TECHNICAL DATA

Rated current:	16 A	Lockable:	self-locking (unlocking by hand)
Degree of protection (IP):	IP66/68 (3m;2h) /IP69	Additional technical data, see facts & data.	



distribution block 1I / 20, series connection, with fastening option to 06.562.5853.1

Color of coding	Application	Marking of poles	Art.No.
■ leaves green	250/400 V	1, 2	46.030.1354.7
■ signal brown	~50/-120 V	1, 2	46.030.1354.4



distribution block 1I / 20, parallel connection, with fastening option to 06.562.5853.0 / 06.562.5853.1

Color of coding	Application	Marking of poles	Art.No.
■ black	250 V	L, N	46.030.1254.1
□ light grey	250 V	L, N	46.030.1254.0
■ light blue	250/400 V	1, 2	46.030.1254.9
■ turquoise blue	250/400 V	D1, D2	46.030.1251.6
■ signal brown	~50/-120 V	1, 2	46.030.1251.4



compact distributor 1I / 30, parallel connection, with fastening option

Color of coding	Application	Marking of poles	Art.No.
■ black	250 V	L, N	46.030.0154.1
□ light grey	250 V	L, N	46.030.0154.0
■ light blue	250/400 V	1, 2	46.030.0154.9
■ turquoise blue	250/400 V	D1, D2	46.030.0151.6
■ signal brown	~50/-120 V	1, 2	46.030.0151.4

RST16I2, CABLE ASSEMBLY, 2-POLE

1.5 mm², 16 A



TECHNICAL DATA

Rated current:	16 A	type of construction:	Cable screw gland
Degree of protection (IP):	IP66/68 (3m;2h) /IP69	Additional technical data, see facts & data.	
Lockable:	self-locking (unlocking by hand)		

connecting cable, female - male

Cable color:
Color of coding: ■ black
Application: 250 V
Marking of poles: L, N

Cable color:
Color of coding: ■ signal brown
Application: ~50/-120 V
Marking of poles: 1, 2

Length (m)	H07RN-F halogenated	H05VV-F halogenated Eca
	Art.No.	Art.No.
	■ black	■ black
1	46.422.1030.1	46.422.1000.1
2	46.422.2030.1	46.422.2000.1
3	46.422.3030.1	46.422.3000.1
4	46.422.4030.1	46.422.4000.1
5	46.422.5030.1	46.422.5000.1
	■ black	■ black
1	46.422.1032.4	46.422.1002.4
2	46.422.2032.4	46.422.2002.4
3	46.422.3032.4	46.422.3002.4
4	46.422.4032.4	46.422.4002.4
5	46.422.5032.4	46.422.5002.4



TECHNICAL DATA

Rated current:	16 A	Preparation of conductor ends:	ultrasonically compressed wire ends
Degree of protection (IP):	IP66/68 (3m;2h) /IP69	type of construction:	Cable screw gland
Lockable:	self-locking (unlocking by hand)	Additional technical data, see facts & data.	

connection cable, female - free end

Cable color:
Color of coding: ■ black
Application: 250 V
Marking of poles: L, N

Cable color:
Color of coding: ■ signal brown
Application: ~50/-120 V
Marking of poles: 1, 2

Length (m)	H07RN-F halogenated	H05VV-F halogenated Eca
	Art.No.	Art.No.
	■ black	■ black
1	46.422.1033.1	46.422.1003.1
2	46.422.2033.1	46.422.2003.1
3	46.422.3033.1	46.422.3003.1
4	46.422.4033.1	46.422.4003.1
5	46.422.5033.1	46.422.5003.1
	■ black	■ black
1	46.422.1037.4	46.422.1007.4
2	46.422.2037.4	46.422.2007.4
3	46.422.3037.4	46.422.3007.4
4	46.422.4037.4	46.422.4007.4
5	46.422.5037.4	46.422.5007.4

RST® MINI

RST16I2, CABLE ASSEMBLY, 2-POLE

1.5 mm², 16 A



TECHNICAL DATA

Rated current:	16 A	Preparation of conductor ends:	ultrasonically compressed wire ends
Degree of protection (IP):	IP66/68 (3m;2h) /IP69	type of construction:	Cable screw gland
Lockable:	self-locking (unlocking by hand)	Additional technical data, see facts & data.	

connection cable, male - free end

Cable color:
 Color of coding: ■ black
 Application: 250 V
 Marking of poles: L, N

Cable color:
 Color of coding: ■ signal brown
 Application: ~50/-120 V
 Marking of poles: 1, 2

Length (m)	H07RN-F halogenated	H05VV-F halogenated Eca
	Art.No.	Art.No.
	■ black	■ black
1	46.422.1034.1	46.422.1004.1
2	46.422.2034.1	46.422.2004.1
3	46.422.3034.1	46.422.3004.1
4	46.422.4034.1	46.422.4004.1
5	46.422.5034.1	46.422.5004.1
	■ black	■ black
1	46.422.1038.4	46.422.1008.4
2	46.422.2038.4	46.422.2008.4
3	46.422.3038.4	46.422.3008.4
4	46.422.4038.4	46.422.4008.4
5	46.422.5038.4	46.422.5008.4

RST16I3, CONNECTOR, 3-POLE

SCREW CONNECTION

TECHNICAL DATA

Rated current:	16 A	Cross section fine-stranded:	0,25 mm ² - 1,5 mm ²
Degree of protection (IP):	IP66/68 (3m;2h) /IP69	Connection cross section solid:	0,25 mm ² - 2,5 mm ²
Terminations per pole:	1	Additional technical data, see facts & data.	
Lockable:	self-locking (unlocking by hand)		

female



male



straight, for cables Ø 5-9.5 mm

Color of coding	Application	Marking of poles	female Art.No.	male Art.No.
■ black	250 V with PE	L, N, PE	46.031.4553.1*	46.032.4553.1*
□ light grey	250 V with PE	L, N, PE	46.031.4553.0*	46.032.4553.0*
■ leaves green	250/400 V with PE	1, 2, PE	46.031.4555.7*	46.032.4555.7*
■ light blue	250/400 V	1, 2, 3	46.031.4553.9*	46.032.4553.9*
■ turquoise blue	250/400 V with PE	D1, D2, PE	46.031.4550.6*	46.032.4550.6*
■ signal brown	~50/-120 V	1, 2, 3	46.031.4550.4*	46.032.4550.4*

TECHNICAL DATA

Rated current:	16 A	Cross section fine-stranded:	0,25 mm ² - 2,5 mm ²
Degree of protection (IP):	IP66/68 (3m;2h) /IP69	Connection cross section solid:	0,25 mm ² - 2,5 mm ²
Terminations per pole:	1	Additional technical data, see facts & data.	
Lockable:	self-locking (unlocking by hand)		

female



male



straight, for cables Ø 7.1-13 mm

Color of coding	Application	Marking of poles	female Art.No.	male Art.No.
■ black	250 V with PE	L, N, PE	46.031.4453.1	46.032.4453.1
□ light grey	250 V with PE	L, N, PE	46.031.4453.0	46.032.4453.0
■ leaves green	250/400 V with PE	1, 2, PE	46.031.4455.7	46.032.4455.7
■ light blue	250/400 V	1, 2, 3	46.031.4453.9	46.032.4453.9
■ turquoise blue	250/400 V with PE	D1, D2, PE	46.031.4450.6	46.032.4450.6
■ signal brown	~50/-120 V	1, 2, 3	46.031.4450.4	46.032.4450.4

RST16I3, DEVICE CONNECTOR, M16, 3-POLE

SCREW CONNECTION

TECHNICAL DATA

Rated current:	16 A	Cross section fine-stranded:	0,25 mm ² - 1,5 mm ²
Degree of protection (IP):	IP66/68 (3m;2h) /IP69	Connection cross section solid:	0,25 mm ² - 2,5 mm ²
Terminations per pole:	1	Additional technical data, see facts & data.	
Lockable:	self-locking (unlocking by hand)		

female



male



standard, straight

Color of coding	Application	Marking of poles	female Art.No.	male Art.No.
■ black	250 V with PE	L, N, PE	46.031.5053.1*	46.032.5053.1*
□ light grey	250 V with PE	L, N, PE	46.031.5053.0*	46.032.5053.0*
■ leaves green	250/400 V with PE	1, 2, PE	46.031.5055.7*	46.032.5055.7*
■ light blue	250/400 V	1, 2, 3	46.031.5053.9*	46.032.5053.9*
■ turquoise blue	250/400 V with PE	D1, D2, PE	46.031.5050.6*	46.032.5050.6*
■ signal brown	~50/-120 V	1, 2, 3	46.031.5050.4*	46.032.5050.4*

RST16I3, DISTRIBUTOR, 3-POLE

TECHNICAL DATA

Rated current:	16 A	Lockable:	self-locking (unlocking by hand)
Degree of protection (IP):	IP66/68 (3m;2h) /IP69	Additional technical data, see facts & data.	



distribution block 1I / 2O, series connection, with fastening option to 06.562.5853.1

Color of coding	Application	Marking of poles	Art.No.
■ leaves green	250/400 V with PE	1, 2, PE	46.030.1355.7
■ signal brown	~50/-120 V	1, 2, 3	46.030.1355.4



distribution block 1I / 2O, parallel connection, with fastening option to 06.562.5853.0 / 06.562.5853.1

Color of coding	Application	Marking of poles	Art.No.
■ black	250 V with PE	L, N, PE	46.030.1253.1
□ light grey	250 V with PE	L, N, PE	46.030.1253.0
■ leaves green	250/400 V with PE	1, 2, PE	46.030.1255.7
■ light blue	250/400 V	1, 2, 3	46.030.1253.9
■ turquoise blue	250/400 V with PE	D1, D2, PE	46.030.1250.6
■ signal brown	~50/-120 V	1, 2, 3	46.030.1250.4



compact distributor 1I / 3O, parallel connection, with fastening option

Color of coding	Application	Marking of poles	Art.No.
■ black	250 V with PE	L, N, PE	46.030.0153.1
□ light grey	250 V with PE	L, N, PE	46.030.0153.0
■ leaves green	250/400 V with PE	1, 2, PE	46.030.0155.7
■ light blue	250/400 V	1, 2, 3	46.030.0153.9
■ turquoise blue	250/400 V with PE	D1, D2, PE	46.030.0150.6

RST16I3, CABLE ASSEMBLY, 3-POLE

1.5 mm², 16 A



TECHNICAL DATA

Rated current: 16 A
 Degree of protection (IP): IP66/68 (3m;2h) /IP69
 Lockable: self-locking (unlocking by hand)

type of construction: Cable screw gland
 Additional technical data, see facts & data.

connecting cable, female - male

Cable color: ■ black
 Color of coding: ■ black
 Application: 250 V with PE
 Marking of poles: L, N, PE

Length (m)	H07RN-F halogenated	H05VV-F halogenated Eca	H05Z1Z1-F halogen free B2ca s1 d1 a1
	Art.No.	Art.No.	Art.No.
	■ black	■ black	■ black
0.5	46.432.0530.1	46.432.0500.1	
1	46.432.1030.1	46.432.1000.1	46.432.10B0.1
2	46.432.2030.1	46.432.2000.1	46.432.20B0.1
3	46.432.3030.1	46.432.3000.1	
4	46.432.4030.1	46.432.4000.1	
5	46.432.5030.1	46.432.5000.1	



TECHNICAL DATA

Rated current: 16 A
 Degree of protection (IP): IP66/68 (3m;2h) /IP69
 Lockable: self-locking (unlocking by hand)

Preparation of conductor ends: ultrasonically compressed wire ends
 type of construction: Cable screw gland
 Additional technical data, see facts & data.

connection cable, female - free end

Cable color: ■ black
 Color of coding: ■ black
 Application: 250 V with PE
 Marking of poles: L, N, PE

Length (m)	H07RN-F halogenated	H05VV-F halogenated Eca	H05Z1Z1-F halogen free B2ca s1 d1 a1
	Art.No.	Art.No.	Art.No.
	■ black	■ black	■ black
0.5	46.432.0533.1	46.432.0503.1	
1	46.432.1033.1	46.432.1003.1	46.432.10B3.1
2	46.432.2033.1	46.432.2003.1	46.432.20B3.1
3	46.432.3033.1	46.432.3003.1	
4	46.432.4033.1	46.432.4003.1	
5	46.432.5033.1	46.432.5003.1	

RST16I3, CABLE ASSEMBLY, 3-POLE

1.5 mm², 16 A



TECHNICAL DATA

Rated current:	16 A	Preparation of conductor ends:	ultrasonically compressed wire ends
Degree of protection (IP):	IP66/68 (3m;2h) /IP69	type of construction:	Cable screw gland
Lockable:	self-locking (unlocking by hand)	Additional technical data, see facts & data.	

connection cable, male - free end

Cable color:	■ black
Color of coding:	■ black
Application:	250 V with PE
Marking of poles:	L, N, PE

Length (m)	H07RN-F halogenated	H05VV-F halogenated Eca	H05Z1Z1-F halogen free B2ca s1 d1 a1
	Art.No.	Art.No.	Art.No.
	■ black	■ black	■ black
0.5	46.432.0534.1	46.432.0504.1	
1	46.432.1034.1	46.432.1004.1	46.432.10B4.1
2	46.432.2034.1	46.432.2004.1	46.432.20B4.1
3	46.432.3034.1	46.432.3004.1	
4	46.432.4034.1	46.432.4004.1	
5	46.432.5034.1	46.432.5004.1	



TECHNICAL DATA

Rated current:	16 A	Preparation of conductor ends:	ultrasonically compressed wire ends
Lockable:	self-locking (unlocking by hand)	type of construction:	Cable screw gland
Additional technical data, see facts & data.			

mains connection cable, female - male CEE 7/4

Cable color:	■ black
Color of coding:	■ black
Application:	250 V with PE
Marking of poles:	L, N, PE

Length (m)	H07RN-F halogenated	H05VV-F halogenated Eca
	Art.No.	Art.No.
	■ black	■ black
1.5	99.705.0000.8	99.700.0000.8
2.5	99.706.0000.8	99.701.0000.8
4	99.707.0000.8	
5	99.708.0000.8	
8	99.709.0000.8	

RST16I3, CABLE ASSEMBLY, 3-POLE

1.5 mm², 16 A



TECHNICAL DATA

Rated current:	16 A	Preparation of conductor ends:	ultrasonically compressed wire ends
Lockable:	self-locking (unlocking by hand)	type of construction:	Cable screw gland
Additional technical data, see facts & data.			

mains connection cable, male - female CEE 7/4 H07RN-F halogenated

Cable color:
Color of coding: ■ black
Application: 250 V with PE
Marking of poles: L, N, PE

Length (m)	Art.No.
0.5	■ black 99.710.0000.8

RST® MINI

RST16I4, CONNECTOR, 4-POLE

SCREW CONNECTION

TECHNICAL DATA

Rated current:	16 A	Cross section fine-stranded:	0,25 mm ² - 2,5 mm ²
Degree of protection (IP):	IP66/68 (3m;2h) /IP69	Connection cross section solid:	0,25 mm ² - 2,5 mm ²
Terminations per pole:	1	Additional technical data, see facts & data.	
Lockable:	self-locking (unlocking by hand)		

female



male



straight, for cables Ø 7.1-13 mm

Color of coding	Application	Marking of poles	female Art.No.	male Art.No.
■ black	250/400 V with PE	1, 2, 3, PE	46.051.4554.1	46.052.4554.1
□ light grey	250/400 V with PE	1, 2, 3, PE	46.051.4554.0	46.052.4554.0
■ signal brown	~50/-120 V	1, 2, 3, 4	46.051.4551.4	46.052.4551.4

female



male



straight, for cables Ø 10-14.5 mm

Color of coding	Application	Marking of poles	female Art.No.	male Art.No.
■ black	250/400 V with PE	1, 2, 3, PE	46.051.4154.1	46.052.4154.1
□ light grey	250/400 V with PE	1, 2, 3, PE	46.051.4154.0	46.052.4154.0
■ signal brown	~50/-120 V	1, 2, 3, 4	46.051.4151.4	46.052.4151.4

RST16I4, DEVICE CONNECTOR, M20,2, 4-POLE

SCREW CONNECTION

TECHNICAL DATA

Rated current:	16 A	Cross section fine-stranded:	0,25 mm ² - 2,5 mm ²
Degree of protection (IP):	IP66/68 (3m;2h) /IP69	Connection cross section solid:	0,25 mm ² - 2,5 mm ²
Terminations per pole:	1	Additional technical data, see facts & data.	
Lockable:	self-locking (unlocking by hand)		

female



male



standard, straight

Color of coding	Application	Marking of poles	female Art.No.	male Art.No.
■ black	250/400 V with PE	1, 2, 3, PE	46.051.5054.1	46.052.5054.1
□ light grey	250/400 V with PE	1, 2, 3, PE	46.051.5054.0	46.052.5054.0
■ signal brown	~50/-120 V	1, 2, 3, 4	46.051.5051.4	46.052.5051.4

RST16I4, DISTRIBUTOR, 4-POLE

TECHNICAL DATA

Rated current:	16 A	Lockable:	self-locking (unlocking by hand)
Degree of protection (IP):	IP66/68 (3m;2h) /IP69	Additional technical data, see facts & data.	



distribution block 1I / 20, parallel connection, with fastening option to 06.562.5853.0 / 06.562.5853.1

Color of coding	Application	Marking of poles	Art.No.
■ black	250/400 V with PE	1, 2, 3, PE	46.050.1254.1
□ light grey	250/400 V with PE	1, 2, 3, PE	46.050.1254.0
■ signal brown	~50/-120 V	1, 2, 3, 4	46.050.1251.4



compact distributor 1I / 30, parallel connection, with fastening option

Color of coding	Application	Marking of poles	Art.No.
■ black	250/400 V with PE	1, 2, 3, PE	46.050.0154.1
□ light grey	250/400 V with PE	1, 2, 3, PE	46.050.0154.0
■ signal brown	~50/-120 V	1, 2, 3, 4	46.050.0151.4

RST16I5, CONNECTOR, 5-POLE

SCREW CONNECTION

TECHNICAL DATA

Rated current:	16 A	Cross section fine-stranded:	0,25 mm ² - 2,5 mm ²
Degree of protection (IP):	IP66/68 (3m;2h) /IP69	Connection cross section solid:	0,25 mm ² - 2,5 mm ²
Terminations per pole:	1	Additional technical data, see facts & data.	
Lockable:	self-locking (unlocking by hand)		

female

male



straight, for cables Ø 7.1-13 mm

Color of coding	Application	Marking of poles	female Art.No.	male Art.No.
■ black	250/400 V with PE	1, 2, 3, N, PE	46.051.4553.1	46.052.4553.1
□ light grey	250/400 V with PE	1, 2, 3, N, PE	46.051.4553.0	46.052.4553.0
■ light blue	250/400 V	1, 2, 3, 4, 5	46.051.4553.9	46.052.4553.9
■ turquoise blue	250 V with PE	L, N, PE, 1, 2	46.051.4553.6	46.052.4553.6
■ signal brown	~50/-120 V	1, 2, 3, 4, 5	46.051.4550.4	46.052.4550.4

female

male



straight, for cables Ø 10-14.5 mm

Color of coding	Application	Marking of poles	female Art.No.	male Art.No.
■ black	250/400 V with PE	1, 2, 3, N, PE	46.051.4153.1	46.052.4153.1
□ light grey	250/400 V with PE	1, 2, 3, N, PE	46.051.4153.0	46.052.4153.0
■ light blue	250/400 V	1, 2, 3, 4, 5	46.051.4153.9	46.052.4153.9
■ turquoise blue	250 V with PE	L, N, PE, 1, 2	46.051.4153.6	46.052.4153.6
■ signal brown	~50/-120 V	1, 2, 3, 4, 5	46.051.4150.4	46.052.4150.4

RST16I5, DEVICE CONNECTOR, M20,2, 5-POLE

SCREW CONNECTION

TECHNICAL DATA

Rated current:	16 A	Cross section fine-stranded:	0,25 mm ² - 2,5 mm ²
Degree of protection (IP):	IP66/68 (3m;2h) /IP69	Connection cross section solid:	0,25 mm ² - 2,5 mm ²
Terminations per pole:	1	Additional technical data, see facts & data.	
Lockable:	self-locking (unlocking by hand)		

female

male



standard, straight

Color of coding	Application	Marking of poles	female Art.No.	male Art.No.
■ black	250/400 V with PE	1, 2, 3, N, PE	46.051.5053.1	46.052.5053.1
□ light grey	250/400 V with PE	1, 2, 3, N, PE	46.051.5053.0	46.052.5053.0
■ light blue	250/400 V	1, 2, 3, 4, 5	46.051.5053.9	46.052.5053.9
■ turquoise blue	250 V with PE	L, N, PE, 1, 2	46.051.5053.6	46.052.5053.6
■ signal brown	~50/-120 V	1, 2, 3, 4, 5	46.051.5050.4	46.052.5050.4

RST16I5, DISTRIBUTOR, 5-POLE

TECHNICAL DATA

Rated current:	16 A	Lockable:	self-locking (unlocking by hand)
Degree of protection (IP):	IP66/68 (3m;2h) /IP69	Additional technical data, see facts & data.	



distribution block 1I / 20, parallel connection, with fastening option to 06.562.5853.0 / 06.562.5853.1

Color of coding	Application	Marking of poles	Art.No.
■ black	250/400 V with PE	1, 2, 3, N, PE	46.050.1253.1
□ light grey	250/400 V with PE	1, 2, 3, N, PE	46.050.1253.0
■ light blue	250/400 V	1, 2, 3, 4, 5	46.050.1253.9
■ turquoise blue	250 V with PE	L, N, PE, 1, 2	46.050.1253.6
■ signal brown	~50/-120 V	1, 2, 3, 4, 5	46.050.1250.4



compact distributor 1I / 30, parallel connection, with fastening option

Color of coding	Application	Marking of poles	Art.No.
■ black	250/400 V with PE	1, 2, 3, N, PE	46.050.0153.1
□ light grey	250/400 V with PE	1, 2, 3, N, PE	46.050.0153.0
■ light blue	250/400 V	1, 2, 3, 4, 5	46.050.0153.9
■ turquoise blue	250 V with PE	L, N, PE, 1, 2	46.050.0153.6
■ signal brown	~50/-120 V	1, 2, 3, 4, 5	46.050.0150.4

RST16I5, CABLE ASSEMBLY, 5-POLE

1.5 mm², 16 A



TECHNICAL DATA

Rated current: 16 A
 Degree of protection (IP): IP66/68 (3m;2h) /IP69
 Lockable: self-locking (unlocking by hand)
 type of construction: Cable screw gland
 Additional technical data, see facts & data.

connecting cable, female - male

Cable color:
 Color of coding: ■ black
 Application: 250/400 V with PE
 Marking of poles: 1, 2, 3, N, PE

Cable color:
 Color of coding: ■ turquoise blue
 Application: 250 V with PE
 Marking of poles: L, N, PE, 1, 2

Length (m)	H07RN-F halogenated	H05VV-F halogenated Eca	H05Z1Z1-F halogen free B2ca s1 d1 a1
	Art.No.	Art.No.	Art.No.
	■ black	■ black	■ black
0.5	46.452.0530.1	46.452.0500.1	
1	46.452.1030.1	46.452.1000.1	46.452.10B0.1
2	46.452.2030.1	46.452.2000.1	46.452.20B0.1
3	46.452.3030.1	46.452.3000.1	
4	46.452.4030.1	46.452.4000.1	
5	46.452.5030.1	46.452.5000.1	
	■ black	■ black	■ black
0.5	46.452.0530.6	46.452.0500.6	
1	46.452.1030.6	46.452.1000.6	46.452.10B0.6
2	46.452.2030.6	46.452.2000.6	46.452.20B0.6
3	46.452.3030.6	46.452.3000.6	
4	46.452.4030.6	46.452.4000.6	
5	46.452.5030.6	46.452.5000.6	

connecting cable, female - male

Cable color:
 Color of coding: ■ black
 Application: 250/400 V with PE
 Marking of poles: 1, 2, 3, N, PE

Cable color:
 Color of coding: ■ turquoise blue
 Application: 250 V with PE
 Marking of poles: L, N, PE, 1, 2

Length (m)	H05Z1Z1-F halogen free Cca s1 d1 a1	H05Z1Z1-F halogen free Eca
	Art.No.	Art.No.
	■ black	■ black
0.5		46.452.0560.1
1	46.452.10C0.1	46.452.1060.1
2	46.452.20C0.1	46.452.2060.1
3		46.452.3060.1
4		46.452.4060.1
5		46.452.5060.1
	■ black	■ black
0.5		46.452.0560.6
1	46.452.10C0.6	46.452.1060.6
2	46.452.20C0.6	46.452.2060.6
3		46.452.3060.6
4		46.452.4060.6
5		46.452.5060.6

RST® MINI

RST16I5, CABLE ASSEMBLY, 5-POLE

1.5 mm², 16 A



TECHNICAL DATA

Rated current:	16 A	Preparation of conductor ends:	ultrasonically compressed wire ends
Degree of protection (IP):	IP66/68 (3m;2h) /IP69	type of construction:	Cable screw gland
Lockable:	self-locking (unlocking by hand)	Additional technical data, see facts & data.	

connection cable, female - free end

Cable color: black
 Color of coding: ■ black
 Application: 250/400 V with PE
 Marking of poles: 1, 2, 3, N, PE

Cable color: black
 Color of coding: ■ black
 Application: 250 V with PE
 Marking of poles: L, N, PE, 1, 2

Length (m)	H07RN-F halogenated	H05VV-F halogenated Eca	H05Z1Z1-F halogen free B2ca s1 d1 a1
	Art.No.	Art.No.	Art.No.
0.5	■ black 46.452.0533.1	■ black 46.452.0503.1	
1	46.452.1033.1	46.452.1003.1	46.452.10B3.1
2	46.452.2033.1	46.452.2003.1	46.452.20B3.1
3	46.452.3033.1	46.452.3003.1	
4	46.452.4033.1	46.452.4003.1	
5	46.452.5033.1	46.452.5003.1	
6	46.452.6033.1	46.452.6003.1	
0.5	■ black 46.452.0533.6	■ black 46.452.0503.6	■ black
1	46.452.1033.6	46.452.1003.6	46.452.10B3.6
2	46.452.2033.6	46.452.2003.6	46.452.20B3.6
3	46.452.3033.6	46.452.3003.6	
4	46.452.4033.6	46.452.4003.6	
5	46.452.5033.6	46.452.5003.6	



connection cable, female - free end

Cable color: black
 Color of coding: ■ black
 Application: 250/400 V with PE
 Marking of poles: 1, 2, 3, N, PE

Cable color: black
 Color of coding: ■ black
 Application: 250 V with PE
 Marking of poles: L, N, PE, 1, 2

Length (m)	H05Z1Z1-F halogen free Cca s1 d1 a1	H05Z1Z1-F halogen free Eca
	Art.No.	Art.No.
0.5	■ black 46.452.10C3.1	■ black 46.452.0563.1
1	46.452.10C3.1	46.452.1063.1
2	46.452.20C3.1	46.452.2063.1
3		46.452.3063.1
4		46.452.4063.1
5		46.452.5063.1
6		
0.5	■ black 46.452.10C3.6	■ black 46.452.0563.6
1	46.452.10C3.6	46.452.1063.6
2	46.452.20C3.6	46.452.2063.6
3		46.452.3063.6
4		46.452.4063.6
5		46.452.5063.6

RST16I5, CABLE ASSEMBLY, 5-POLE

1.5 mm², 16 A



TECHNICAL DATA

Rated current:	16 A	Preparation of conductor ends:	ultrasonically compressed wire ends
Degree of protection (IP):	IP66/68 (3m;2h) /IP69	type of construction:	Cable screw gland
Lockable:	self-locking (unlocking by hand)	Additional technical data, see facts & data.	

connection cable, male - free end

Cable color: black
 Color of coding: ■ black
 Application: 250/400 V with PE
 Marking of poles: 1, 2, 3, N, PE

Cable color: black
 Color of coding: ■ black
 Application: 250 V with PE
 Marking of poles: L, N, PE, 1, 2

Length (m)	H07RN-F halogenated	H05VV-F halogenated Eca	H05Z1Z1-F halogen free B2ca s1 d1 a1
	Art.No.	Art.No.	Art.No.
	■ black	■ black	■ black
0.5	46.452.0534.1		
1	46.452.1034.1	46.452.1004.1	46.452.10B4.1
2	46.452.2034.1	46.452.2004.1	46.452.20B4.1
3	46.452.3034.1	46.452.3004.1	
4	46.452.4034.1	46.452.4004.1	
5	46.452.5034.1	46.452.5004.1	
	■ black	■ black	■ black
0.5	46.452.0534.6	46.452.0504.6	
1	46.452.1034.6	46.452.1004.6	46.452.10B4.6
2	46.452.2034.6	46.452.2004.6	46.452.20B4.6
3	46.452.3034.6	46.452.3004.6	
4	46.452.4034.6	46.452.4004.6	
5	46.452.5034.6	46.452.5004.6	



connection cable, male - free end

Cable color: black
 Color of coding: ■ black
 Application: 250/400 V with PE
 Marking of poles: 1, 2, 3, N, PE

Cable color: black
 Color of coding: ■ black
 Application: 250 V with PE
 Marking of poles: L, N, PE, 1, 2

Length (m)	H05Z1Z1-F halogen free Cca s1 d1 a1	H05Z1Z1-F halogen free Eca
	Art.No.	Art.No.
	■ black	■ black
0.5		46.452.0564.1
1	46.452.10C4.1	46.452.1064.1
2	46.452.20C4.1	46.452.2064.1
3		46.452.3064.1
4		46.452.4064.1
5		46.452.5064.1
	■ black	■ black
0.5	46.452.05C4.6	46.452.0564.6
1	46.452.10C4.6	46.452.1064.6
2	46.452.20C4.6	46.452.2064.6
3		46.452.3064.6
4		46.452.4064.6
5		46.452.5064.6

RST® MINI

RST16, ACCESSORIES



cover piece for 2-/3-pole, captive against loss, for female

Color	Art.No.
■ black	06.563.8753.1
□ light grey	06.563.8753.0



cover piece for 2-/3-pole, captive against loss, for male

Color	Art.No.
■ black	06.563.8953.1
□ light grey	06.563.8953.0



cover piece for 2-/3-pole, not captive against loss, for female

Color	Art.No.
■ black	06.563.8653.1
□ light grey	06.563.8653.0



cover piece for 2-/3-pole, not captive against loss, for male

Color	Art.No.
■ black	06.563.8853.1
□ light grey	06.563.8853.0



cover piece for 4-/5-pole, captive against loss, for female

Color	Art.No.
■ black	06.563.9153.1
□ light grey	06.563.9153.0



cover piece for 4-/5-pole, captive against loss, for male

Color	Art.No.
■ black	06.563.9353.1
□ light grey	06.563.9353.0



cover piece for 4-/5-pole, not captive against loss, for female

Color	Art.No.
■ black	06.563.9053.1
□ light grey	06.563.9053.0

RST16, ACCESSORIES



cover piece for 4-/5-pole, not captive against loss, for male

Color	Art.No.
■ black	06.563.9253.1
□ light grey	06.563.9253.0



sealing, Ø 5,0 - 9,5 mm

Color	Art.No.
■ black	06.562.0583.0



sealing, Ø 7,1 - 13 mm

Color	Art.No.
■ black	06.561.8383.0



mounting panel, for distribution terminal block

Color	Art.No.
■ black	06.562.5853.1
□ light grey	06.562.5853.0



sample case, RST16i3

Art.No.
99.674.0000.0



sample case, RST16i5

Art.No.
99.675.0000.0



sample case, SMI

Art.No.
99.688.0000.0

RST® CLASSIC

The all-rounder with the most extensive range.



FEATURES

- + 2-pole to 7-pole
- + 20 A rated current
- + Mechanical + color coding
- + Applications in protection class II and extra-low voltage sector for industry and LED technology

RST20i2



Mechanical coding (pole configuration based on female connector)	black	light gray	pebble gray	signal brown
Operating voltage (application)	250 V	250 V	~50/-120 V	~50/-120 V

RST20i3



Mechanical coding (pole configuration based on female connector)	black	light gray	leaf green	light blue	signal brown
Operating voltage (application)	250 V	250 V	250/400 V	250/400 V	~50/-120 V

RST20i4



Mechanical coding (pole configuration based on female connector)	black	light gray	signal brown
Operating voltage (application)	250/400 V	250/400 V	~50/-120 V

RST20i5



Mechanical coding (pole configuration based on female connector)	black	light gray	turquoise	light blue	yellow	signal brown
Operating voltage (application)	250/400 V	250/400 V	250 V	250/400 V	250/400 V	~50/-120 V

RST20i6



Mechanical coding (pole configuration based on female connector)	turquoise
Operating voltage (application)	250/400 V

RST20i7



Mechanical coding (pole configuration based on female connector)	black	light gray	turquoise	light blue
Operating voltage (application)	250/400 V	250/400 V	250/400 V	250/400 V

RST25i3



Mechanical coding (pole configuration based on female connector)	Concrete gray
Operating voltage (application)	250 V

RST25i5



Mechanical coding (pole configuration based on female connector)	Concrete gray
Operating voltage (application)	250/400 V

RST20I2, CONNECTOR, 2-POLE

SCREW CONNECTION

TECHNICAL DATA

Rated current:	20 A	Cross section fine-stranded:	0,75 mm ² - 6 mm ²
Degree of protection (IP):	IP66/68 (3m;2h) /IP69	Connection cross section solid:	0,75 mm ² - 6 mm ²
Terminations per pole:	1	Additional technical data, see facts & data.	
Lockable:	self-locking (unlocking by tool)		

female

male



straight, for cables Ø 6-10 mm

Color of coding	Application	Marking of poles	female Art.No.	male Art.No.
■ black	250 V	L, N	96.021.4053.1	96.022.4053.1
□ light grey	250 V	L, N	96.021.4053.0	96.022.4053.0
■ leaves green	250 V	1, 2	96.021.4055.7	96.022.4055.7
■ pebble grey	~50/-120 V	+, -	96.021.4050.8	96.022.4050.8
■ signal brown	~50/-120 V	1, 2	96.021.4051.4	96.022.4051.4

female

male



straight, for cables Ø 10-14 mm

Color of coding	Application	Marking of poles	female Art.No.	male Art.No.
■ black	250 V	L, N	96.021.4153.1	96.022.4153.1
□ light grey	250 V	L, N	96.021.4153.0	96.022.4153.0
■ leaves green	250 V	1, 2	96.021.4155.7	96.022.4155.7
■ pebble grey	~50/-120 V	+, -	96.021.4150.8	96.022.4150.8
■ signal brown	~50/-120 V	1, 2	96.021.4151.4	96.022.4151.4

female

male



straight, for AS-i profile cable

Color of coding	Application	Marking of poles	female Art.No.	male Art.No.
■ pebble grey	~50/-120 V	+, -	96.021.4950.8	96.022.4950.8
■ signal brown	~50/-120 V	1, 2	96.021.4951.4	96.022.4951.4

female

male



straight, for illumination cable

Color of coding	Application	Marking of poles	female Art.No.	male Art.No.
■ black	250 V	L, N	96.021.4453.1	96.022.4453.1
□ light grey	250 V	L, N	96.021.4453.0	96.022.4453.0
■ signal brown	~50/-120 V	1, 2	96.021.4451.4	96.022.4451.4

male



straight, for pole socket, for cables Ø 6-10 mm

Color of coding	Application	Marking of poles	male Art.No.
■ black	250 V	L, N	99.592.0000.7

RST20I2, CONNECTOR, 2-POLE

SCREW CONNECTION

TECHNICAL DATA

Rated current:	20 A	Cross section fine-stranded:	0,75 mm ² - 6 mm ²
Degree of protection (IP):	IP66/68 (3m;2h) /IP69	Connection cross section solid:	0,75 mm ² - 6 mm ²
Terminations per pole:	1	Additional technical data, see facts & data.	
Lockable:	self-locking (unlocking by tool)		

male



straight, for pole socket, for illumination cable

male

Color of coding	Application	Marking of poles	Art.No.
■ black	250 V	L, N	99.593.0000.7

TECHNICAL DATA

Rated current:	20 A	Cross section fine-stranded:	0,75 mm ² - 6 mm ²
Degree of protection (IP):	IP66/68 (3m;2h) /IP69	Connection cross section solid:	0,75 mm ² - 6 mm ²
Terminations per pole:	1	Additional technical data, see facts & data.	
Lockable:	self-locking (unlocking by tool)		

female



male



angled 90°, for cables Ø 6-10 mm

female

male

Color of coding	Application	Marking of poles	Art.No.	Art.No.
■ black	250 V	L, N	96.023.4053.1	96.024.4053.1
□ light grey	250 V	L, N	96.023.4053.0	96.024.4053.0
■ pebble grey	~50/-120 V	+, -	96.023.4050.8	96.024.4050.8
■ signal brown	~50/-120 V	1, 2	96.023.4051.4	96.024.4051.4

female



male



angled 90°, for cables Ø 10-14 mm

female

male

Color of coding	Application	Marking of poles	Art.No.	Art.No.
■ black	250 V	L, N	96.023.4153.1	96.024.4153.1
□ light grey	250 V	L, N	96.023.4153.0	96.024.4153.0
■ pebble grey	~50/-120 V	+, -	96.023.4150.8	96.024.4150.8
■ signal brown	~50/-120 V	1, 2	96.023.4151.4	96.024.4151.4

female



male



angled 90°, for AS-i profile cable

female

male

Color of coding	Application	Marking of poles	Art.No.	Art.No.
■ pebble grey	~50/-120 V	+, -	96.023.4950.8	96.024.4950.8
■ signal brown	~50/-120 V	1, 2	96.023.4951.4	96.024.4951.4

RST20I2, CONNECTOR, 2-POLE

SCREW CONNECTION

TECHNICAL DATA

Rated current:	20 A	Cross section fine-stranded:	0,75 mm ² - 2,5 mm ²
Degree of protection (IP):	IP66/68 (3m;2h) /IP69	Connection cross section solid:	0,75 mm ² - 2,5 mm ²
Terminations per pole:	1	Additional technical data, see facts & data.	
Lockable:	self-locking (unlocking by tool)		

female



splitter connector, for cables Ø 6-10 mm

female

Color of coding	Application	Marking of poles	Art.No.
■ black	250 V	L, N	96.021.4253.1
□ light grey	250 V	L, N	96.021.4253.0
■ pebble grey	~50/-120 V	+, -	96.021.4250.8
■ signal brown	~50/-120 V	1, 2	96.021.4251.4

female



splitter connector, for cables Ø 10-14 mm

female

Color of coding	Application	Marking of poles	Art.No.
■ black	250 V	L, N	96.021.4353.1
□ light grey	250 V	L, N	96.021.4353.0
■ signal brown	~50/-120 V	1, 2	96.021.4351.4

RST20I2, CONNECTOR, 2-POLE

SPRING CLAMP CONNECTION

TECHNICAL DATA		
Rated current:	20 A	Cross section fine-stranded: 0,5 mm ² - 1,5 mm ²
Degree of protection (IP):	IP66/68 (3m;2h) /IP69	ded:
Terminations per pole:	2	Connection cross section solid: 0,5 mm ² - 2,5 mm ²
Lockable:	self-locking (unlocking by tool)	Additional technical data, see facts & data.

female

male



straight, for cables Ø 6-10 mm

Color of coding	Application	Marking of poles	female Art.No.	male Art.No.
■ black	250 V	L, N	96.021.0053.1	96.022.0053.1
□ light grey	250 V	L, N	96.021.0053.0	96.022.0053.0
■ pebble grey	~50/-120 V	+, -	96.021.0050.8	96.022.0050.8
■ signal brown	~50/-120 V	1, 2	96.021.0051.4	96.022.0051.4

female

male



straight, for cables Ø 10-14 mm

Color of coding	Application	Marking of poles	female Art.No.	male Art.No.
■ black	250 V	L, N	96.021.0153.1	96.022.0153.1
□ light grey	250 V	L, N	96.021.0153.0	96.022.0153.0
■ pebble grey	~50/-120 V	+, -	96.021.0150.8	96.022.0150.8
■ signal brown	~50/-120 V	1, 2	96.021.0151.4	96.022.0151.4

female

male



straight, for AS-i profile cable

Color of coding	Application	Marking of poles	female Art.No.	male Art.No.
■ pebble grey	~50/-120 V	+, -	96.021.0950.8	96.022.0950.8
■ signal brown	~50/-120 V	1, 2	96.021.0951.4	96.022.0951.4

female

male



straight, for illumination cable

Color of coding	Application	Marking of poles	female Art.No.	male Art.No.
■ black	250 V	L, N	96.021.0453.1	96.022.0453.1
□ light grey	250 V	L, N	96.021.0453.0	96.022.0453.0

female

male



angled 90°, for cables Ø 6-10 mm

Color of coding	Application	Marking of poles	female Art.No.	male Art.No.
■ black	250 V	L, N	96.023.0053.1	96.024.0053.1
□ light grey	250 V	L, N	96.023.0053.0	96.024.0053.0
■ pebble grey	~50/-120 V	+, -	96.023.0050.8	96.024.0050.8
■ signal brown	~50/-120 V	1, 2	96.023.0051.4	96.024.0051.4

female

male



angled 90°, for cables Ø 10-14 mm

Color of coding	Application	Marking of poles	female Art.No.	male Art.No.
■ black	250 V	L, N	96.023.0153.1	96.024.0153.1
□ light grey	250 V	L, N	96.023.0153.0	96.024.0153.0
■ pebble grey	~50/-120 V	+, -	96.023.0150.8	96.024.0150.8
■ signal brown	~50/-120 V	1, 2	96.023.0151.4	96.024.0151.4

RST20I2, CONNECTOR, 2-POLE

SPRING CLAMP CONNECTION

TECHNICAL DATA			
Rated current:	20 A	Cross section fine-stranded:	0,5 mm ² - 1,5 mm ²
Degree of protection (IP):	IP66/68 (3m;2h) /IP69	Connection cross section solid:	0,5 mm ² - 2,5 mm ²
Terminations per pole:	2	Additional technical data, see facts & data.	
Lockable:	self-locking (unlocking by tool)		

female



male



angled 90°, for AS-i profile cable

Color of coding	Application	Marking of poles	female Art.No.	male Art.No.
■ pebble grey	~50/-120 V	+, -	96.023.0950.8	96.024.0950.8
■ signal brown	~50/-120 V	1, 2	96.023.0951.4	96.024.0951.4

female



male



splitter connector, for cables Ø 6-10 mm

Color of coding	Application	Marking of poles	female Art.No.	male Art.No.
■ black	250 V	L, N	96.021.0253.1	96.022.0253.1
□ light grey	250 V	L, N	96.021.0253.0	
■ pebble grey	~50/-120 V	+, -	96.021.0250.8	
■ signal brown	~50/-120 V	1, 2	96.021.0251.4	

female



splitter connector, for cables Ø 10-14 mm

Color of coding	Application	Marking of poles	female Art.No.
■ black	250 V	L, N	96.021.0353.1
□ light grey	250 V	L, N	96.021.0353.0
■ signal brown	~50/-120 V	1, 2	96.021.0351.4

RST20I2, DEVICE CONNECTOR, M16, 2-POLE

SCREW CONNECTION

TECHNICAL DATA			
Rated current:	20 A	Cross section fine-stranded:	0,75 mm ² - 6 mm ²
Degree of protection (IP):	IP66/68 (3m;2h) /IP69	Connection cross section solid:	0,75 mm ² - 6 mm ²
Terminations per pole:	1	Additional technical data, see facts & data.	
Lockable:	self-locking (unlocking by tool)		

female

male



modular, straight

Color of coding	Application	Marking of poles	female Art.No.	male Art.No.
■ black	250 V	L, N	96.021.6153.1	96.022.6153.1
□ light grey	250 V	L, N	96.021.6153.0	96.022.6153.0
■ pebble grey	~50/-120 V	+, -	96.021.6150.8	96.022.6150.8
■ signal brown	~50/-120 V	1, 2	96.021.6151.4	96.022.6151.4

female

male



modular, angled 7°

Color of coding	Application	Marking of poles	female Art.No.	male Art.No.
■ black	250 V	L, N	96.025.6153.1	96.026.6153.1
□ light grey	250 V	L, N	96.025.6153.0	96.026.6153.0

SPRING CLAMP CONNECTION

TECHNICAL DATA			
Rated current:	20 A	Cross section fine-stranded:	0,5 mm ² - 1,5 mm ²
Degree of protection (IP):	IP66/68 (3m;2h) /IP69	Connection cross section solid:	0,5 mm ² - 2,5 mm ²
Terminations per pole:	2	Additional technical data, see facts & data.	
Lockable:	self-locking (unlocking by tool)		

female

male



modular, straight

Color of coding	Application	Marking of poles	female Art.No.	male Art.No.
■ black	250 V	L, N	96.021.2153.1	96.022.2153.1
□ light grey	250 V	L, N	96.021.2153.0	96.022.2153.0
■ pebble grey	~50/-120 V	+, -	96.021.2150.8	96.022.2150.8
■ signal brown	~50/-120 V	1, 2	96.021.2151.4	96.022.2151.4

female

male



modular, angled 7°

Color of coding	Application	Marking of poles	female Art.No.	male Art.No.
■ black	250 V	L, N	96.025.2153.1	96.026.2153.1
□ light grey	250 V	L, N	96.025.2153.0	96.026.2153.0

RST20I2, DEVICE CONNECTOR, M20, 2-POLE

SCREW CONNECTION

TECHNICAL DATA

Rated current:	20 A	Cross section fine-stranded:	0,75 mm ² - 6 mm ²
Degree of protection (IP):	IP66/68 (3m;2h) /IP69	Connection cross section solid:	0,75 mm ² - 6 mm ²
Terminations per pole:	1	Additional technical data, see facts & data.	
Lockable:	self-locking (unlocking by tool)		

female

male



modular, straight

Color of coding	Application	Marking of poles	female Art.No.	male Art.No.
■ black	250 V	L, N	96.021.6053.1	96.022.6053.1
□ light grey	250 V	L, N	96.021.6053.0	96.022.6053.0
■ pebble grey	~50/-120 V	+, -	96.021.6050.8	96.022.6050.8
■ signal brown	~50/-120 V	1, 2	96.021.6051.4	96.022.6051.4

female

male



modular, angled 90°

Color of coding	Application	Marking of poles	female Art.No.	male Art.No.
■ black	250 V	L, N	96.023.6053.1	96.024.6053.1
□ light grey	250 V	L, N	96.023.6053.0	96.024.6053.0
■ pebble grey	~50/-120 V	+, -	96.023.6050.8	96.024.6050.8
■ signal brown	~50/-120 V	1, 2	96.023.6051.4	96.024.6051.4

SPRING CLAMP CONNECTION

TECHNICAL DATA

Rated current:	20 A	Cross section fine-stranded:	0,5 mm ² - 1,5 mm ²
Degree of protection (IP):	IP66/68 (3m;2h) /IP69	Connection cross section solid:	0,5 mm ² - 2,5 mm ²
Terminations per pole:	2	Additional technical data, see facts & data.	
Lockable:	self-locking (unlocking by tool)		

female

male



modular, straight

Color of coding	Application	Marking of poles	female Art.No.	male Art.No.
■ black	250 V	L, N	96.021.2053.1	96.022.2053.1
□ light grey	250 V	L, N	96.021.2053.0	96.022.2053.0
■ pebble grey	~50/-120 V	+, -	96.021.2050.8	96.022.2050.8
■ signal brown	~50/-120 V	1, 2	96.021.2051.4	96.022.2051.4

female

male



modular, angled 90°

Color of coding	Application	Marking of poles	female Art.No.	male Art.No.
■ black	250 V	L, N	96.023.2053.1	96.024.2053.1
□ light grey	250 V	L, N	96.023.2053.0	96.024.2053.0
■ pebble grey	~50/-120 V	+, -	96.023.2050.8	96.024.2050.8
■ signal brown	~50/-120 V	1, 2	96.023.2051.4	96.024.2051.4

RST20I2, DEVICE CONNECTOR, M25, 2-POLE

SCREW CONNECTION

TECHNICAL DATA

Rated current:	20 A	Cross section fine-stranded:	0,75 mm ² - 6 mm ²
Degree of protection (IP):	IP66/68 (3m;2h) /IP69	Connection cross section solid:	0,75 mm ² - 6 mm ²
Terminations per pole:	1	Additional technical data, see facts & data.	
Lockable:	self-locking (unlocking by tool)		

female



male



standard, straight

Color of coding	Application	Marking of poles	female Art.No.	male Art.No.
■ black	250 V	L, N	96.021.5053.1	96.022.5053.1
□ light grey	250 V	L, N	96.021.5053.0	96.022.5053.0
■ pebble grey	~50/-120 V	+, -	96.021.5050.8	96.022.5050.8
■ signal brown	~50/-120 V	1, 2	96.021.5051.4	96.022.5051.4

female



male



modular, angled 90°

Color of coding	Application	Marking of poles	female Art.No.	male Art.No.
■ black	250 V	L, N	96.023.6253.1	96.024.6253.1
□ light grey	250 V	L, N	96.023.6253.0	96.024.6253.0
■ pebble grey	~50/-120 V	+, -	96.023.6250.8	96.024.6250.8
■ signal brown	~50/-120 V	1, 2	96.023.6251.4	96.024.6251.4

SPRING CLAMP CONNECTION

TECHNICAL DATA

Rated current:	20 A	Cross section fine-stranded:	0,5 mm ² - 1,5 mm ²
Degree of protection (IP):	IP66/68 (3m;2h) /IP69	Connection cross section solid:	0,5 mm ² - 2,5 mm ²
Terminations per pole:	2	Additional technical data, see facts & data.	
Lockable:	self-locking (unlocking by tool)		

female



male



standard, straight

Color of coding	Application	Marking of poles	female Art.No.	male Art.No.
■ black	250 V	L, N	96.021.1053.1	96.022.1053.1
□ light grey	250 V	L, N	96.021.1053.0	96.022.1053.0
■ pebble grey	~50/-120 V	+, -	96.021.1050.8	96.022.1050.8
■ signal brown	~50/-120 V	1, 2	96.021.1051.4	96.022.1051.4

female



male



modular, angled 90°

Color of coding	Application	Marking of poles	female Art.No.	male Art.No.
■ black	250 V	L, N	96.023.2253.1	96.024.2253.1
□ light grey	250 V	L, N	96.023.2253.0	96.024.2253.0
■ pebble grey	~50/-120 V	+, -	96.023.2250.8	96.024.2250.8
■ signal brown	~50/-120 V	1, 2	96.023.2251.4	96.024.2251.4

RST20I2, DISTRIBUTOR, 2-POLE

TECHNICAL DATA

Rated current:	20 A	Lockable:	self-locking (unlocking by tool)
Degree of protection (IP):	IP66/68 (3m;2h) /IP69	Additional technical data, see facts & data.	



distribution block 1I / 30, parallel connection, with fastening option

Color of coding	Application	Marking of poles	Art.No.
■ black	250 V	L, N	96.020.0153.1
□ light grey	250 V	L, N	96.020.0153.0
■ pebble grey	~50/-120 V	+, -	96.020.0150.8
■ signal brown	~50/-120 V	1, 2	96.020.0151.4



distribution block 1I / 30, parallel connection, without fastening option

Color of coding	Application	Marking of poles	Art.No.
■ black	250 V	L, N	96.020.0253.1
□ light grey	250 V	L, N	96.020.0253.0
■ pebble grey	~50/-120 V	+, -	96.020.0250.8
■ signal brown	~50/-120 V	1, 2	96.020.0251.4

TECHNICAL DATA

Rated current:	6 A	Lockable:	self-locking (unlocking by tool)
Degree of protection (IP):	IP66/68 (3m;2h) /IP69	Additional technical data, see facts & data.	



distribution block 1I / 30, series connection, with fastening option

Color of coding	Application	Marking of poles	Art.No.
■ signal brown	~50/-120 V	1, 2	99.910.0000.7

TECHNICAL DATA

Rated current:	20 A	Lockable:	self-locking (unlocking by tool)
Degree of protection (IP):	IP66/68 (3m;2h) /IP69	Additional technical data, see facts & data.	



multi-distribution unit 1I / 70, parallel connection, with fastening option

Color of coding	Application	Marking of poles	Art.No.
■ black	250 V	L, N	99.988.0000.7
■ signal brown	~50/-120 V	1, 2	99.946.0000.7

RST20I2, CABLE ASSEMBLY, 2-POLE

1.5 mm², 16 A



TECHNICAL DATA

Rated current: 16 A
 Degree of protection (IP): IP66/68 (3m;2h)
 Lockable: self-locking (unlocking by tool)
 type of construction: Shrinkage tube
 Additional technical data, see facts & data.

connecting cable, female - male

Cable color: ■ black
 Color of coding: 250 V
 Application: L, N
 Marking of poles: L, N

Cable color: ■ pebble grey
 Color of coding: ~50/-120 V
 Application: +, -
 Marking of poles: +, -

Cable color: ■ signal brown
 Color of coding: ~50/-120 V
 Application: 1, 2
 Marking of poles: 1, 2

	H07RN-F	H05VV-F	Ölflex® Classic 110
	halogenated	halogenated Eca	halogenated
Length (m)	Art.No.	Art.No.	Art.No.
	■ black	■ black	
1	96.222.1030.1	96.222.1000.1	
2	96.222.2030.1	96.222.2000.1	
3	96.222.3030.1	96.222.3000.1	
4	96.222.4030.1	96.222.4000.1	
5	96.222.5030.1	96.222.5000.1	
6	96.222.6030.1	96.222.6000.1	
7	96.222.7030.1	96.222.7000.1	
8	96.222.8030.1	96.222.8000.1	
			■ Grey
1			96.222.1092.8
2			96.222.2092.8
3			96.222.3092.8
4			96.222.4092.8
5			96.222.5092.8
6			96.222.6092.8
7			96.222.7092.8
8			96.222.8092.8
	■ black	■ black	■ Grey
1	96.222.1032.4	96.222.1002.4	96.222.1092.4
2	96.222.2032.4	96.222.2002.4	96.222.2092.4
3	96.222.3032.4	96.222.3002.4	96.222.3092.4
4	96.222.4032.4	96.222.4002.4	96.222.4092.4
5	96.222.5032.4	96.222.5002.4	96.222.5092.4
6	96.222.6032.4	96.222.6002.4	96.222.6092.4
7	96.222.7032.4	96.222.7002.4	96.222.7092.4
8	96.222.8032.4	96.222.8002.4	96.222.8092.4

RST® CLASSIC

RST20I2, CABLE ASSEMBLY, 2-POLE

1.5 mm², 16 A



TECHNICAL DATA

Rated current:	16 A	Preparation of conductor ends:	ultrasonically compressed wire ends
Degree of protection (IP):	IP66/68 (3m;2h)	type of construction:	Shrinkage tube
Lockable:	self-locking (unlocking by tool)	Additional technical data, see facts & data.	

connection cable, female - free end

Cable color: black
 Color of coding: black
 Application: 250 V
 Marking of poles: L, N

Cable color: pebble grey
 Color of coding: pebble grey
 Application: ~50/-120 V
 Marking of poles: +, -

Cable color: signal brown
 Color of coding: signal brown
 Application: ~50/-120 V
 Marking of poles: 1, 2

Length (m)	H07RN-F	H05VV-F	Ölflex® Classic 110
	halogenated	halogenated Eca	halogenated
	Art.No.	Art.No.	Art.No.
1	96.222.1033.1	96.222.1003.1	
2	96.222.2033.1	96.222.2003.1	
3	96.222.3033.1	96.222.3003.1	
4	96.222.4033.1	96.222.4003.1	
5	96.222.5033.1	96.222.5003.1	
6	96.222.6033.1	96.222.6003.1	
7	96.222.7033.1	96.222.7003.1	
8	96.222.8033.1	96.222.8003.1	
1			Grey
2			96.222.1097.8
3			96.222.2097.8
4			96.222.3097.8
5			96.222.4097.8
6			96.222.5097.8
7			96.222.6097.8
8			96.222.7097.8
1	96.222.1037.4	96.222.1007.4	Grey
2	96.222.2037.4	96.222.2007.4	96.222.1097.4
3	96.222.3037.4	96.222.3007.4	96.222.2097.4
4	96.222.4037.4	96.222.4007.4	96.222.3097.4
5	96.222.5037.4	96.222.5007.4	96.222.4097.4
6	96.222.6037.4	96.222.6007.4	96.222.5097.4
7	96.222.7037.4	96.222.7007.4	96.222.6097.4
8	96.222.8037.4	96.222.8007.4	96.222.7097.4

connection cable, male - free end

Cable color: black
 Color of coding: black
 Application: 250 V
 Marking of poles: L, N

Cable color: pebble grey
 Color of coding: pebble grey
 Application: ~50/-120 V
 Marking of poles: +, -

Cable color: signal brown
 Color of coding: signal brown
 Application: ~50/-120 V
 Marking of poles: 1, 2

Length (m)	H07RN-F	H05VV-F	Ölflex® Classic 110
	halogenated	halogenated Eca	halogenated
	Art.No.	Art.No.	Art.No.
1	96.222.1034.1	96.222.1004.1	
2	96.222.2034.1	96.222.2004.1	
3	96.222.3034.1	96.222.3004.1	
4	96.222.4034.1	96.222.4004.1	
5	96.222.5034.1	96.222.5004.1	
6	96.222.6034.1	96.222.6004.1	
7	96.222.7034.1	96.222.7004.1	
8	96.222.8034.1	96.222.8004.1	
1			Grey
2			96.222.1098.8
3			96.222.2098.8
4			96.222.3098.8
5			96.222.4098.8
6			96.222.5098.8
7			96.222.6098.8
8			96.222.7098.8
1	96.222.1038.4	96.222.1008.4	Grey
2	96.222.2038.4	96.222.2008.4	96.222.1098.4
3	96.222.3038.4	96.222.3008.4	96.222.2098.4
4	96.222.4038.4	96.222.4008.4	96.222.3098.4
5	96.222.5038.4	96.222.5008.4	96.222.4098.4
6	96.222.6038.4	96.222.6008.4	96.222.5098.4
7	96.222.7038.4	96.222.7008.4	96.222.6098.4
8	96.222.8038.4	96.222.8008.4	96.222.7098.4

RST20I2, CABLE ASSEMBLY, 2-POLE

1.5 mm², 16 A

TECHNICAL DATA

Rated current:	16 A	Preparation of conductor ends:	ultrasonically compressed wire ends
Lockable:	self-locking (unlocking by tool)	Additional technical data, see facts & data.	

connection cable, female - free end, for pole socket

Cable color:	
Color of coding:	■ black
Application:	250 V
Marking of poles:	L, N

H05VV-F
halogenated
Eca

Length (m)	Art.No.
	■ black
3	99.506.0000.7
4	99.507.0000.7
5	99.508.0000.7
6	99.511.0000.7
9	99.534.0000.7



RST20I2, CABLE ASSEMBLY, 2-POLE

2.5 mm², 20 A

TECHNICAL DATA

Rated current: 20 A
 Degree of protection (IP): IP66/68 (3m;2h)
 Lockable: self-locking (unlocking by tool)

type of construction: Shrinkage tube
 Additional technical data, see facts & data.



connecting cable, female - male

**Ölflex® Classic
110
halogenated**

Cable color: ■ pebble grey
 Color of coding: ~50/-120 V
 Application: +, -
 Marking of poles: +, -

Length (m)	Art.No.
	■ Grey
1	96.223.1092.8
2	96.223.2092.8
3	96.223.3092.8
4	96.223.4092.8
5	96.223.5092.8
6	96.223.6092.8
7	96.223.7092.8
8	96.223.8092.8
	■ Grey
1	96.223.1092.4
2	96.223.2092.4
3	96.223.3092.4
4	96.223.4092.4
5	96.223.5092.4
6	96.223.6092.4
7	96.223.7092.4
8	96.223.8092.4

Cable color: ■ signal brown
 Color of coding: ~50/-120 V
 Application: 1, 2
 Marking of poles: 1, 2

TECHNICAL DATA

Rated current: 20 A
 Degree of protection (IP): IP66/68 (3m;2h)
 Lockable: self-locking (unlocking by tool)

Preparation of conductor ends: ultrasonically compressed wire ends
 type of construction: Shrinkage tube
 Additional technical data, see facts & data.



connection cable, female - free end

**Ölflex® Classic
110
halogenated**

Cable color: ■ pebble grey
 Color of coding: ~50/-120 V
 Application: +, -
 Marking of poles: +, -

Length (m)	Art.No.
	■ Grey
1	96.223.1097.8
2	96.223.2097.8
3	96.223.3097.8
4	96.223.4097.8
5	96.223.5097.8
6	96.223.6097.8
7	96.223.7097.8
8	96.223.8097.8
	■ Grey
2	96.223.2097.4
3	96.223.3097.4
4	96.223.4097.4
5	96.223.5097.4
6	96.223.6097.4
7	96.223.7097.4
8	96.223.8097.4

Cable color: ■ signal brown
 Color of coding: ~50/-120 V
 Application: 1, 2
 Marking of poles: 1, 2

RST20I2, CABLE ASSEMBLY, 2-POLE

2.5 mm², 20 A

TECHNICAL DATA

Rated current:	20 A	Preparation of conductor ends:	ultrasonically compressed wire ends
Degree of protection (IP):	IP66/68 (3m;2h)	type of construction:	Shrinkage tube
Lockable:	self-locking (unlocking by tool)	Additional technical data, see facts & data.	



connection cable, male - free end

**Ölflex® Classic
110
halogenated**

Cable color:
Color of coding: ■ pebble grey
Application: ~50/-120 V
Marking of poles: +, -

Length (m)	Art.No.
	■ Grey
1	96.223.1098.8
2	96.223.2098.8
3	96.223.3098.8
4	96.223.4098.8
5	96.223.5098.8
6	96.223.6098.8
7	96.223.7098.8
8	96.223.8098.8
	■ Grey
1	96.223.1098.4
2	96.223.2098.4
3	96.223.3098.4
4	96.223.4098.4
5	96.223.5098.4
6	96.223.6098.4
7	96.223.7098.4
8	96.223.8098.4

Cable color:
Color of coding: ■ signal brown
Application: ~50/-120 V
Marking of poles: 1, 2

RST2013, CONNECTOR, 3-POLE

SCREW CONNECTION

TECHNICAL DATA

Rated current:	20 A	Cross section fine-stranded:	0,75 mm ² - 6 mm ²
Degree of protection (IP):	IP66/68 (3m;2h) /IP69	Connection cross section solid:	0,75 mm ² - 6 mm ²
Terminations per pole:	1	Additional technical data, see facts & data.	
Lockable:	self-locking (unlocking by tool)		

female



male



straight, for cables Ø 6-10 mm

Color of coding	Application	Marking of poles	female Art.No.	male Art.No.
■ black	250 V with PE	L, N, PE	96.031.4053.1	96.032.4053.1
□ light grey	250 V with PE	L, N, PE	96.031.4053.0	96.032.4053.0
■ leaves green	250/400 V with PE	1, 2, PE	96.031.4055.7	96.032.4055.7
■ light blue	250/400 V	1, 2, 3	96.031.4053.9	96.032.4053.9
■ signal brown	~50/-120 V with PE	1, 2, PE	96.031.4051.4	96.032.4051.4

female



male



straight, for cables Ø 10-14 mm

Color of coding	Application	Marking of poles	female Art.No.	male Art.No.
■ black	250 V with PE	L, N, PE	96.031.4153.1	96.032.4153.1
□ light grey	250 V with PE	L, N, PE	96.031.4153.0	96.032.4153.0
■ leaves green	250/400 V with PE	1, 2, PE	96.031.4155.7	96.032.4155.7
■ light blue	250/400 V	1, 2, 3	96.031.4153.9	96.032.4153.9
■ signal brown	~50/-120 V with PE	1, 2, PE	96.031.4151.4	96.032.4151.4

female



male



straight, for cables Ø 13-18 mm

Color of coding	Application	Marking of poles	female Art.No.	male Art.No.
■ black	250 V with PE	L, N, PE	96.031.4553.1	96.032.4553.1
□ light grey	250 V with PE	L, N, PE	96.031.4553.0	96.032.4553.0
■ leaves green	250/400 V with PE	1, 2, PE	96.031.4555.7	96.032.4555.7
■ light blue	250/400 V	1, 2, 3	96.031.4553.9	96.032.4553.9

male



straight, for pole socket, for cables Ø 6-10 mm

Color of coding	Application	Marking of poles	male Art.No.
■ black	250 V with PE	L, N, PE	99.594.0000.7

female



male



angled 90°, for cables Ø 6-10 mm

Color of coding	Application	Marking of poles	female Art.No.	male Art.No.
■ black	250 V with PE	L, N, PE	96.033.4053.1	96.034.4053.1
□ light grey	250 V with PE	L, N, PE	96.033.4053.0	96.034.4053.0
■ leaves green	250/400 V with PE	1, 2, PE	96.033.4055.7	96.034.4055.7
■ light blue	250/400 V	1, 2, 3	96.033.4053.9	96.034.4053.9
■ signal brown	~50/-120 V with PE	1, 2, PE	96.033.4051.4	96.034.4051.4

female



male



angled 90°, for cables Ø 10-14 mm

Color of coding	Application	Marking of poles	female Art.No.	male Art.No.
■ black	250 V with PE	L, N, PE	96.033.4153.1	96.034.4153.1
□ light grey	250 V with PE	L, N, PE	96.033.4153.0	96.034.4153.0
■ leaves green	250/400 V with PE	1, 2, PE	96.033.4155.7	96.034.4155.7
■ light blue	250/400 V	1, 2, 3	96.033.4153.9	96.034.4153.9
■ signal brown	~50/-120 V with PE	1, 2, PE	96.033.4151.4	96.034.4151.4

RST20I3, CONNECTOR, 3-POLE

SCREW CONNECTION

TECHNICAL DATA

Rated current:	20 A	Cross section fine-stranded:	0,75 mm ² - 2,5 mm ²
Degree of protection (IP):	IP66/68 (3m;2h) /IP69	Connection cross section solid:	0,75 mm ² - 2,5 mm ²
Terminations per pole:	1	Additional technical data, see facts & data.	
Lockable:	self-locking (unlocking by tool)		

female

male



splitter connector, for cables Ø 6-10 mm

female

male

Color of coding	Application	Marking of poles	Art.No.	Art.No.
■ black	250 V with PE	L, N, PE	96.031.4253.1	96.032.4253.1
□ light grey	250 V with PE	L, N, PE	96.031.4253.0	96.032.4253.0
■ leaves green	250/400 V with PE	1, 2, PE	96.031.4255.7	
■ light blue	250/400 V	1, 2, 3	96.031.4253.9	
■ signal brown	~50/-120 V with PE	1, 2, PE	96.031.4251.4	96.032.4251.4

female

male



splitter connector, for cables Ø 10-14 mm

female

male

Color of coding	Application	Marking of poles	Art.No.	Art.No.
■ black	250 V with PE	L, N, PE	96.031.4353.1	96.032.4353.1
□ light grey	250 V with PE	L, N, PE	96.031.4353.0	96.032.4353.0
■ leaves green	250/400 V with PE	1, 2, PE	96.031.4355.7	
■ light blue	250/400 V	1, 2, 3	96.031.4353.9	

RST2013, CONNECTOR, 3-POLE

SPRING CLAMP CONNECTION

TECHNICAL DATA		
Rated current:	20 A	Cross section fine-stranded: 0,5 mm ² - 1,5 mm ²
Degree of protection (IP):	IP66/68 (3m;2h) /IP69	ded:
Terminations per pole:	2	Connection cross section 0,5 mm ² - 2,5 mm ²
Lockable:	self-locking (unlocking by tool)	solid:
		Additional technical data, see facts & data.

female

male



straight, for cables Ø 6-10 mm

Color of coding	Application	Marking of poles	female Art.No.	male Art.No.
■ black	250 V with PE	L, N, PE	96.031.0053.1	96.032.0053.1
□ light grey	250 V with PE	L, N, PE	96.031.0053.0	96.032.0053.0
■ leaves green	250/400 V with PE	1, 2, PE	96.031.0055.7	96.032.0055.7
■ light blue	250/400 V	1, 2, 3	96.031.0053.9	96.032.0053.9
■ signal brown	~50/-120 V with PE	1, 2, PE	96.031.0051.4	96.032.0051.4

female

male



straight, for cables Ø 10-14 mm

Color of coding	Application	Marking of poles	female Art.No.	male Art.No.
■ black	250 V with PE	L, N, PE	96.031.0153.1	96.032.0153.1
□ light grey	250 V with PE	L, N, PE	96.031.0153.0	96.032.0153.0
■ leaves green	250/400 V with PE	1, 2, PE	96.031.0155.7	96.032.0155.7
■ light blue	250/400 V	1, 2, 3	96.031.0153.9	96.032.0153.9
■ signal brown	~50/-120 V with PE	1, 2, PE	96.031.0151.4	96.032.0151.4

female

male



straight, for cables Ø 13-18 mm

Color of coding	Application	Marking of poles	female Art.No.	male Art.No.
■ leaves green	250/400 V with PE	1, 2, PE	96.031.0555.7	96.032.0555.7
■ light blue	250/400 V	1, 2, 3	96.031.0553.9	96.032.0553.9

female

male



angled 90°, for cables Ø 6-10 mm

Color of coding	Application	Marking of poles	female Art.No.	male Art.No.
■ black	250 V with PE	L, N, PE	96.033.0053.1	96.034.0053.1
□ light grey	250 V with PE	L, N, PE	96.033.0053.0	96.034.0053.0
■ leaves green	250/400 V with PE	1, 2, PE	96.033.0055.7	96.034.0055.7
■ light blue	250/400 V	1, 2, 3	96.033.0053.9	96.034.0053.9
■ signal brown	~50/-120 V with PE	1, 2, PE	96.033.0051.4	96.034.0051.4

female

male



angled 90°, for cables Ø 10-14 mm

Color of coding	Application	Marking of poles	female Art.No.	male Art.No.
■ black	250 V with PE	L, N, PE	96.033.0153.1	96.034.0153.1
□ light grey	250 V with PE	L, N, PE	96.033.0153.0	96.034.0153.0
■ leaves green	250/400 V with PE	1, 2, PE	96.033.0155.7	96.034.0155.7
■ light blue	250/400 V	1, 2, 3	96.033.0153.9	96.034.0153.9
■ signal brown	~50/-120 V with PE	1, 2, PE	96.033.0151.4	96.034.0151.4

female

male



splitter connector, for cables Ø 6-10 mm

Color of coding	Application	Marking of poles	female Art.No.	male Art.No.
■ black	250 V with PE	L, N, PE	96.031.0253.1	96.032.0253.1
□ light grey	250 V with PE	L, N, PE	96.031.0253.0	
■ leaves green	250/400 V with PE	1, 2, PE	96.031.0255.7	
■ light blue	250/400 V	1, 2, 3	96.031.0253.9	

RST20I3, CONNECTOR, 3-POLE

SPRING CLAMP CONNECTION

TECHNICAL DATA

Rated current:	20 A	Cross section fine-stranded:	0,5 mm ² - 1,5 mm ²
Degree of protection (IP):	IP66/68 (3m;2h) /IP69	Connection cross section solid:	0,5 mm ² - 2,5 mm ²
Terminations per pole:	2	Additional technical data, see facts & data.	
Lockable:	self-locking (unlocking by tool)		

female



splitter connector, for cables Ø 10-14 mm

female

Color of coding	Application	Marking of poles	Art.No.
■ black	250 V with PE	L, N, PE	96.031.0353.1
□ light grey	250 V with PE	L, N, PE	96.031.0353.0
■ leaves green	250/400 V with PE	1, 2, PE	96.031.0355.7
■ light blue	250/400 V	1, 2, 3	96.031.0353.9

RST20I3, CONNECTOR, 3-POLE

CRIMP

TECHNICAL DATA

Rated current:	20 A	Lockable:	self-locking (unlocking by tool)
Degree of protection (IP):	IP66/68 (3m;2h) /IP69	Cross section fine-stranded:	0,75 mm ² - 4 mm ²
Terminations per pole:	1	Additional technical data, see facts & data.	

female



male



straight, for cables Ø 6-10 mm

Color of coding	Application	Marking of poles	female Art.No.	male Art.No.
■ black	250 V with PE	L, N, PE	96.131.0053.1	96.132.0053.1
□ light grey	250 V with PE	L, N, PE	96.131.0053.0	96.132.0053.0
■ leaves green	250/400 V with PE	1, 2, PE	96.131.0055.7	96.132.0055.7

female



male



straight, for cables Ø 10-14 mm

Color of coding	Application	Marking of poles	female Art.No.	male Art.No.
■ black	250 V with PE	L, N, PE	96.131.0153.1	96.132.0153.1
□ light grey	250 V with PE	L, N, PE	96.131.0153.0	96.132.0153.0
■ leaves green	250/400 V with PE	1, 2, PE	96.131.0155.7	

female



male



straight, for cables Ø 13-18 mm

Color of coding	Application	Marking of poles	female Art.No.	male Art.No.
■ black	250 V with PE	L, N, PE	96.131.4553.1	96.132.4553.1
□ light grey	250 V with PE	L, N, PE	96.131.4553.0	96.132.4553.0

female



male



angled 90°, for cables Ø 6-10 mm

Color of coding	Application	Marking of poles	female Art.No.	male Art.No.
□ light grey	250 V with PE	L, N, PE	96.133.0053.0	96.134.0053.0

female



male



angled 90°, for cables Ø 10-14 mm

Color of coding	Application	Marking of poles	female Art.No.	male Art.No.
■ black	250 V with PE	L, N, PE	96.133.0153.1	96.134.0153.1
□ light grey	250 V with PE	L, N, PE	96.133.0153.0	96.134.0153.0

RST20I3, DEVICE CONNECTOR, M16, 3-POLE

SCREW CONNECTION

TECHNICAL DATA

Rated current:	20 A	Cross section fine-stranded:	0,75 mm ² - 6 mm ²
Degree of protection (IP):	IP66/68 (3m;2h) /IP69	Connection cross section solid:	0,75 mm ² - 6 mm ²
Terminations per pole:	1	Additional technical data, see facts & data.	
Lockable:	self-locking (unlocking by tool)		

female



male



modular, straight

Color of coding	Application	Marking of poles	female Art.No.	male Art.No.
■ black	250 V with PE	L, N, PE	96.031.6153.1	96.032.6153.1
□ light grey	250 V with PE	L, N, PE	96.031.6153.0	96.032.6153.0
■ leaves green	250/400 V with PE	1, 2, PE	96.031.6155.7	96.032.6155.7
■ light blue	250/400 V	1, 2, 3	96.031.6153.9	96.032.6153.9
■ signal brown	~50/-120 V with PE	1, 2, PE	96.031.6151.4	96.032.6151.4

female



male



modular, angled 7°

Color of coding	Application	Marking of poles	female Art.No.	male Art.No.
■ black	250 V with PE	L, N, PE	96.035.6153.1	96.036.6153.1
□ light grey	250 V with PE	L, N, PE	96.035.6153.0	96.036.6153.0

SPRING CLAMP CONNECTION

TECHNICAL DATA

Rated current:	20 A	Cross section fine-stranded:	0,5 mm ² - 1,5 mm ²
Degree of protection (IP):	IP66/68 (3m;2h) /IP69	Connection cross section solid:	0,5 mm ² - 2,5 mm ²
Terminations per pole:	2	Additional technical data, see facts & data.	
Lockable:	self-locking (unlocking by tool)		

female



male



modular, straight

Color of coding	Application	Marking of poles	female Art.No.	male Art.No.
■ black	250 V with PE	L, N, PE	96.031.2153.1	96.032.2153.1
□ light grey	250 V with PE	L, N, PE	96.031.2153.0	96.032.2153.0
■ leaves green	250/400 V with PE	1, 2, PE	96.031.2155.7	96.032.2155.7
■ light blue	250/400 V	1, 2, 3	96.031.2153.9	96.032.2153.9
■ signal brown	~50/-120 V with PE	1, 2, PE	96.031.2151.4	96.032.2151.4

female



male



modular, angled 7°

Color of coding	Application	Marking of poles	female Art.No.	male Art.No.
■ black	250 V with PE	L, N, PE	96.035.2153.1	96.036.2153.1
□ light grey	250 V with PE	L, N, PE	96.035.2153.0	96.036.2153.0

RST20I3, DEVICE CONNECTOR, M16, 3-POLE

CRIMP

TECHNICAL DATA

Rated current:	20 A	Lockable:	self-locking (unlocking by tool)
Degree of protection (IP):	IP66/68 (3m;2h) /IP69	Cross section fine-stranded:	0,75 mm ² - 4 mm ²
Terminations per pole:	1	Additional technical data, see facts & data.	

female



male



modular, straight

Color of coding	Application	Marking of poles	female Art.No.	male Art.No.
■ black	250 V with PE	L, N, PE	96.131.2153.1	96.132.2153.1
□ light grey	250 V with PE	L, N, PE	96.131.2153.0	96.132.2153.0

female



male



modular, angled 7°

Color of coding	Application	Marking of poles	female Art.No.	male Art.No.
■ black	250 V with PE	L, N, PE	96.135.2153.1	96.136.2153.1
□ light grey	250 V with PE	L, N, PE	96.135.2153.0	96.136.2153.0

RST20I3, DEVICE CONNECTOR, M20, 3-POLE

SCREW CONNECTION

TECHNICAL DATA

Rated current:	20 A	Cross section fine-stranded:	0,75 mm ² - 6 mm ²
Degree of protection (IP):	IP66/68 (3m;2h) /IP69	Connection cross section solid:	0,75 mm ² - 6 mm ²
Terminations per pole:	1	Additional technical data, see facts & data.	
Lockable:	self-locking (unlocking by tool)		

female



male



modular, straight

Color of coding	Application	Marking of poles	female Art.No.	male Art.No.
■ black	250 V with PE	L, N, PE	96.031.6053.1	96.032.6053.1
□ light grey	250 V with PE	L, N, PE	96.031.6053.0	96.032.6053.0
■ leaves green	250/400 V with PE	1, 2, PE	96.031.6055.7	96.032.6055.7
■ light blue	250/400 V	1, 2, 3	96.031.6053.9	96.032.6053.9
■ signal brown	~50/-120 V with PE	1, 2, PE	96.031.6051.4	96.032.6051.4

female



male



modular, angled 90°

Color of coding	Application	Marking of poles	female Art.No.	male Art.No.
■ black	250 V with PE	L, N, PE	96.033.6053.1	96.034.6053.1
□ light grey	250 V with PE	L, N, PE	96.033.6053.0	96.034.6053.0
■ leaves green	250/400 V with PE	1, 2, PE	96.033.6055.7	96.034.6055.7
■ light blue	250/400 V	1, 2, 3	96.033.6053.9	96.034.6053.9
■ signal brown	~50/-120 V with PE	1, 2, PE	96.033.6051.4	96.034.6051.4

SPRING CLAMP CONNECTION

TECHNICAL DATA

Rated current:	20 A	Cross section fine-stranded:	0,5 mm ² - 1,5 mm ²
Degree of protection (IP):	IP66/68 (3m;2h) /IP69	Connection cross section solid:	0,5 mm ² - 2,5 mm ²
Terminations per pole:	2	Additional technical data, see facts & data.	
Lockable:	self-locking (unlocking by tool)		

female



male



modular, straight

Color of coding	Application	Marking of poles	female Art.No.	male Art.No.
■ black	250 V with PE	L, N, PE	96.031.2053.1	96.032.2053.1
□ light grey	250 V with PE	L, N, PE	96.031.2053.0	96.032.2053.0
■ leaves green	250/400 V with PE	1, 2, PE	96.031.2055.7	96.032.2055.7
■ light blue	250/400 V	1, 2, 3	96.031.2053.9	96.032.2053.9
■ signal brown	~50/-120 V with PE	1, 2, PE	96.031.2051.4	96.032.2051.4

female



male



modular, angled 90°

Color of coding	Application	Marking of poles	female Art.No.	male Art.No.
■ black	250 V with PE	L, N, PE	96.033.2053.1	96.034.2053.1
□ light grey	250 V with PE	L, N, PE	96.033.2053.0	96.034.2053.0
■ leaves green	250/400 V with PE	1, 2, PE	96.033.2055.7	96.034.2055.7
■ light blue	250/400 V	1, 2, 3	96.033.2053.9	96.034.2053.9
■ signal brown	~50/-120 V with PE	1, 2, PE	96.033.2051.4	96.034.2051.4

RST20I3, DEVICE CONNECTOR, M20, 3-POLE

CRIMP

TECHNICAL DATA

Rated current:	20 A	Lockable:	self-locking (unlocking by tool)
Degree of protection (IP):	IP66/68 (3m;2h) /IP69	Cross section fine-stranded:	0,75 mm ² - 4 mm ²
Terminations per pole:	1	Additional technical data, see facts & data.	

female



male



modular, straight

Color of coding	Application	Marking of poles	female Art.No.	male Art.No.
■ black	250 V with PE	L, N, PE	96.131.2053.1	96.132.2053.1
□ light grey	250 V with PE	L, N, PE	96.131.2053.0	96.132.2053.0

female



male



modular, angled 90°

Color of coding	Application	Marking of poles	female Art.No.	male Art.No.
■ black	250 V with PE	L, N, PE	96.133.2053.1	96.134.2053.1
□ light grey	250 V with PE	L, N, PE	96.133.2053.0	96.134.2053.0

RST2013, DEVICE CONNECTOR, M25, 3-POLE

SCREW CONNECTION

TECHNICAL DATA

Rated current:	20 A	Cross section fine-stranded:	0,75 mm ² - 6 mm ²
Degree of protection (IP):	IP66/68 (3m;2h) /IP69	Connection cross section solid:	0,75 mm ² - 6 mm ²
Terminations per pole:	1	Additional technical data, see facts & data.	
Lockable:	self-locking (unlocking by tool)		

female

male



standard, straight

Color of coding	Application	Marking of poles	female Art.No.	male Art.No.
■ black	250 V with PE	L, N, PE	96.031.5053.1	96.032.5053.1
□ light grey	250 V with PE	L, N, PE	96.031.5053.0	96.032.5053.0
■ leaves green	250/400 V with PE	1, 2, PE	96.031.5055.7	96.032.5055.7
■ light blue	250/400 V	1, 2, 3	96.031.5053.9	96.032.5053.9
■ signal brown	~50/-120 V with PE	1, 2, PE	96.031.5051.4	96.032.5051.4

female

male



modular, angled 90°

Color of coding	Application	Marking of poles	female Art.No.	male Art.No.
■ black	250 V with PE	L, N, PE	96.033.6253.1	96.034.6253.1
□ light grey	250 V with PE	L, N, PE	96.033.6253.0	96.034.6253.0
■ leaves green	250/400 V with PE	1, 2, PE	96.033.6255.7	96.034.6255.7
■ light blue	250/400 V	1, 2, 3	96.033.6253.9	96.034.6253.9
■ signal brown	~50/-120 V with PE	1, 2, PE	96.033.6251.4	96.034.6251.4

SPRING CLAMP CONNECTION

TECHNICAL DATA

Rated current:	20 A	Cross section fine-stranded:	0,5 mm ² - 1,5 mm ²
Degree of protection (IP):	IP66/68 (3m;2h) /IP69	Connection cross section solid:	0,5 mm ² - 2,5 mm ²
Terminations per pole:	2	Additional technical data, see facts & data.	
Lockable:	self-locking (unlocking by tool)		

female

male



standard, straight

Color of coding	Application	Marking of poles	female Art.No.	male Art.No.
■ black	250 V with PE	L, N, PE	96.031.1053.1	96.032.1053.1
□ light grey	250 V with PE	L, N, PE	96.031.1053.0	96.032.1053.0
■ leaves green	250/400 V with PE	1, 2, PE	96.031.1055.7	96.032.1055.7
■ light blue	250/400 V	1, 2, 3	96.031.1053.9	96.032.1053.9
■ signal brown	~50/-120 V with PE	1, 2, PE	96.031.1051.4	96.032.1051.4

female

male



modular, angled 90°

Color of coding	Application	Marking of poles	female Art.No.	male Art.No.
■ black	250 V with PE	L, N, PE	96.033.2253.1	96.034.2253.1
□ light grey	250 V with PE	L, N, PE	96.033.2253.0	96.034.2253.0
■ leaves green	250/400 V with PE	1, 2, PE	96.033.2255.7	96.034.2255.7
■ light blue	250/400 V	1, 2, 3	96.033.2253.9	96.034.2253.9
■ signal brown	~50/-120 V with PE	1, 2, PE	96.033.2251.4	96.034.2251.4

RST20I3, DEVICE CONNECTOR, M25, 3-POLE

CRIMP

TECHNICAL DATA

Rated current:	20 A	Lockable:	self-locking (unlocking by tool)
Degree of protection (IP):	IP66/68 (3m;2h) /IP69	Cross section fine-stranded:	0,75 mm ² - 4 mm ²
Terminations per pole:	1	Additional technical data, see facts & data.	

female



male



standard, straight

Color of coding	Application	Marking of poles	female Art.No.	male Art.No.
■ black	250 V with PE	L, N, PE	96.131.1053.1	96.132.1053.1
□ light grey	250 V with PE	L, N, PE	96.131.1053.0	96.132.1053.0
■ leaves green	250/400 V with PE	1, 2, PE	96.131.1055.7	96.132.1055.7

female



male



modular, angled 90°

Color of coding	Application	Marking of poles	female Art.No.	male Art.No.
■ black	250 V with PE	L, N, PE	96.133.2253.1	96.134.2253.1
□ light grey	250 V with PE	L, N, PE	96.133.2253.0	96.134.2253.0

RST20I3, DISTRIBUTOR, 3-POLE

TECHNICAL DATA

Rated current:	20 A	Lockable:	self-locking (unlocking by tool)
Degree of protection (IP):	IP66/68 (3m;2h) /IP69	Additional technical data, see facts & data.	



distribution block 1I / 30, parallel connection, with fastening option

Color of coding	Application	Marking of poles	Art.No.
■ black	250 V with PE	L, N, PE	96.030.0153.1
□ light grey	250 V with PE	L, N, PE	96.030.0153.0
■ leaves green	250/400 V with PE	1, 2, PE	96.030.0155.7
■ light blue	250/400 V	1, 2, 3	96.030.0153.9
■ signal brown	~50/-120 V with PE	1, 2, PE	96.030.0151.4



distribution block 1I / 30, parallel connection, without fastening option

Color of coding	Application	Marking of poles	Art.No.
■ black	250 V with PE	L, N, PE	96.030.0253.1
□ light grey	250 V with PE	L, N, PE	96.030.0253.0
■ leaves green	250/400 V with PE	1, 2, PE	96.030.0255.7
■ signal brown	~50/-120 V with PE	1, 2, PE	96.030.0251.4



compact distributor 1I / 30, parallel connection, with fastening option

Color of coding	Application	Marking of poles	Art.No.
■ black	250 V with PE	L, N, PE	99.906.0000.7



multi-distribution unit 1I / 70, parallel connection, with fastening option

Color of coding	Application	Marking of poles	Art.No.
■ black	250 V with PE	L, N, PE	99.929.0000.7

RST20I3, CABLE ASSEMBLY, 3-POLE

1.5 mm², 16 A



TECHNICAL DATA

Rated current:	16 A	type of construction:	Shrinkage tube
Degree of protection (IP):	IP66/68 (3m;2h)	Additional technical data, see facts & data.	
Lockable:	self-locking (unlocking by tool)		

connecting cable, female - male

Cable color:
Color of coding: ■ black
Application: 250 V with PE
Marking of poles: L, N, PE

Cable color:
Color of coding: ■ leaves green
Application: 250/400 V with PE
Marking of poles: 1, 2, PE

Length (m)	H07RN-F	H07RN-F - Enhanced Version	H05VV-F
	halogenated	halogen free	halogenated Eca
	Art.No.	Art.No.	Art.No.
1	96.232.1030.1	96.232.1050.1	96.232.1000.1
2	96.232.2030.1	96.232.2050.1	96.232.2000.1
3	96.232.3030.1	96.232.3050.1	96.232.3000.1
4	96.232.4030.1	96.232.4050.1	96.232.4000.1
5	96.232.5030.1	96.232.5050.1	96.232.5000.1
6	96.232.6030.1	96.232.6050.1	96.232.6000.1
7	96.232.7030.1	96.232.7050.1	96.232.7000.1
8	96.232.8030.1	96.232.8050.1	96.232.8000.1
	■ black		■ black
1	96.232.1031.7		96.232.1001.7
2	96.232.2031.7		96.232.2001.7
3	96.232.3031.7		96.232.3001.7
4	96.232.4031.7		96.232.4001.7
5	96.232.5031.7		96.232.5001.7
6	96.232.6031.7		96.232.6001.7
7	96.232.7031.7		96.232.7001.7
8	96.232.8031.7		96.232.8001.7



connecting cable, female - male

Cable color:
Color of coding: ■ black
Application: 250 V with PE
Marking of poles: L, N, PE

Cable color:
Color of coding: ■ leaves green
Application: 250/400 V with PE
Marking of poles: 1, 2, PE

Length (m)	H05Z1Z1-F	H05Z1Z1-F	H05Z1Z1-F
	halogen free B2ca s1 d1 a1	halogen free Cca s1 d1 a1	halogen free Dca
	Art.No.	Art.No.	Art.No.
1	96.232.10B0.1	96.232.10C0.1	96.232.10D0.1
2	96.232.20B0.1	96.232.20C0.1	96.232.20D0.1
3			
4			
5			
6			
7			
8			
	■ black	■ black	■ black
1	96.232.10B1.7	96.232.10C1.7	96.232.10D1.7
2	96.232.20B1.7	96.232.20C1.7	96.232.20D1.7
3			
4			
5			
6			
7			
8			

RST20I3, CABLE ASSEMBLY, 3-POLE

1.5 mm², 16 A



TECHNICAL DATA

Rated current:	16 A	Preparation of conductor ends:	ultrasonically compressed wire ends
Degree of protection (IP):	IP66/68 (3m;2h)	type of construction:	Shrinkage tube
Lockable:	self-locking (unlocking by tool)	Additional technical data, see facts & data.	

connection cable, female - free end

Cable color: black
 Color of coding: ■ black
 Application: 250 V with PE
 Marking of poles: L, N, PE

Cable color: leaves green
 Color of coding: ■ leaves green
 Application: 250/400 V with PE
 Marking of poles: 1, 2, PE

Length (m)	H07RN-F halogenated	H07RN-F - Enhanced Version halogen free	H05VV-F halogenated Eca
	Art.No.	Art.No.	Art.No.
1	96.232.1033.1	96.232.1053.1	96.232.1003.1
2	96.232.2033.1	96.232.2053.1	96.232.2003.1
3	96.232.3033.1	96.232.3053.1	96.232.3003.1
4	96.232.4033.1	96.232.4053.1	96.232.4003.1
5	96.232.5033.1	96.232.5053.1	96.232.5003.1
6	96.232.6033.1	96.232.6053.1	96.232.6003.1
7	96.232.7033.1	96.232.7053.1	96.232.7003.1
8	96.232.8033.1	96.232.8053.1	96.232.8003.1
Length (m)	H07RN-F halogenated	H07RN-F - Enhanced Version halogen free	H05VV-F halogenated Eca
	Art.No.	Art.No.	Art.No.
1	96.232.1035.7		96.232.1005.7
2			96.232.2005.7
3	96.232.3035.7		96.232.3005.7
4	96.232.4035.7		96.232.4005.7
5	96.232.5035.7		96.232.5005.7
6	96.232.6035.7		96.232.6005.7
7	96.232.7035.7		96.232.7005.7
8	96.232.8035.7		96.232.8005.7

connection cable, female - free end

Cable color: black
 Color of coding: ■ black
 Application: 250 V with PE
 Marking of poles: L, N, PE

Cable color: leaves green
 Color of coding: ■ leaves green
 Application: 250/400 V with PE
 Marking of poles: 1, 2, PE

Length (m)	H05Z1Z1-F halogen free B2ca s1 d1 a1	H05Z1Z1-F halogen free Cca s1 d1 a1	H05Z1Z1-F halogen free Dca
	Art.No.	Art.No.	Art.No.
1	96.232.10B3.1	96.232.10C3.1	96.232.10D3.1
2	96.232.20B3.1	96.232.20C3.1	96.232.20D3.1
3			
4			
5			
6			
7			
8			
Length (m)	H05Z1Z1-F halogen free B2ca s1 d1 a1	H05Z1Z1-F halogen free Cca s1 d1 a1	H05Z1Z1-F halogen free Dca
	Art.No.	Art.No.	Art.No.
1	96.232.10B5.7	96.232.10C5.7	96.232.10D5.7
2	96.232.20B5.7	96.232.20C5.7	96.232.20D5.7
3			
4			
5			
6			
7			
8			

RST® CLASSIC

RST20I3, CABLE ASSEMBLY, 3-POLE

1.5 mm², 16 A



TECHNICAL DATA

Rated current:	16 A	Preparation of conductor ends:	ultrasonically compressed wire ends
Degree of protection (IP):	IP66/68 (3m;2h)	type of construction:	Shrinkage tube
Lockable:	self-locking (unlocking by tool)	Additional technical data, see facts & data.	

connection cable, male - free end

Cable color: black
 Color of coding: ■ black
 Application: 250 V with PE
 Marking of poles: L, N, PE

Cable color: leaves green
 Color of coding: ■ leaves green
 Application: 250/400 V with PE
 Marking of poles: 1, 2, PE

Length (m)	H07RN-F	H07RN-F - Enhanced Version	H05VV-F
	halogenated	halogen free	halogenated Eca
	Art.No.	Art.No.	Art.No.
1	96.232.1034.1	96.232.1054.1	96.232.1004.1
2	96.232.2034.1	96.232.2054.1	96.232.2004.1
3	96.232.3034.1	96.232.3054.1	96.232.3004.1
4	96.232.4034.1	96.232.4054.1	96.232.4004.1
5	96.232.5034.1	96.232.5054.1	96.232.5004.1
6	96.232.6034.1	96.232.6054.1	96.232.6004.1
7	96.232.7034.1	96.232.7054.1	96.232.7004.1
8	96.232.8034.1	96.232.8054.1	96.232.8004.1
	Art.No.		Art.No.
1	96.232.1036.7		96.232.1006.7
2	96.232.2036.7		96.232.2006.7
3	96.232.3036.7		96.232.3006.7
4	96.232.4036.7		96.232.4006.7
5	96.232.5036.7		96.232.5006.7
6	96.232.6036.7		96.232.6006.7
7	96.232.7036.7		96.232.7006.7
8	96.232.8036.7		96.232.8006.7

connection cable, male - free end

Cable color: black
 Color of coding: ■ black
 Application: 250 V with PE
 Marking of poles: L, N, PE

Cable color: leaves green
 Color of coding: ■ leaves green
 Application: 250/400 V with PE
 Marking of poles: 1, 2, PE

Length (m)	H05Z1Z1-F	H05Z1Z1-F	H05Z1Z1-F
	halogen free B2ca s1 d1 a1	halogen free Cca s1 d1 a1	halogen free Dca
	Art.No.	Art.No.	Art.No.
1	96.232.10B4.1	96.232.10C4.1	96.232.10D4.1
2	96.232.20B4.1	96.232.20C4.1	96.232.20D4.1
3			
4			
5			
6			
7			
8			
	Art.No.	Art.No.	Art.No.
1	96.232.10B6.7	96.232.10C6.7	96.232.10D6.7
2	96.232.20B6.7	96.232.20C6.7	96.232.20D6.7
3			
4			
5			
6			
7			
8			

RST20I3, CABLE ASSEMBLY, 3-POLE

1.5 mm², 16 A



TECHNICAL DATA

Rated current:	16 A	Preparation of conductor ends:	ultrasonically compressed wire ends
Lockable:	self-locking (unlocking by tool)	type of construction:	Shrinkage tube
Additional technical data, see facts & data.			

mains connection cable, female - male CEE 7/4

H07RN-F
halogenated

H05VV-F
halogenated

Cable color:
Color of coding: ■ black
Application: 250 V with PE
Marking of poles: L, N, PE

Length (m)	Art.No.	Art.No.
	■ black	
1.5	99.712.0000.7	
2.5	99.713.0000.7	
4	99.716.0000.7	
5	99.718.0000.7	
8	99.717.0000.7	

Cable color:
Color of coding: □ light grey
Application: 250 V with PE
Marking of poles: L, N, PE

		■ black
1.5		99.714.0000.7
2.5		99.715.0000.7

mains connection cable, male - female CEE 7/4

H07RN-F
halogenated

Cable color:
Color of coding: ■ black
Application: 250 V with PE
Marking of poles: L, N, PE

Length (m)	Art.No.
	■ black
5	99.719.0000.7



RST20I3, CABLE ASSEMBLY, 3-POLE

1.5 mm², 16 A



TECHNICAL DATA

Rated current: 16 A
Lockable: self-locking (unlocking by tool)
Preparation of conductor ends: ultrasonically compressed wire ends
Additional technical data, see facts & data.

connection cable, female - free end, for pole socket

Cable color: ■ black
Color of coding: ■ black
Application: 250 V with PE
Marking of poles: L, N, PE

**H05VV-F
halogenated
Eca**

Length (m)	Art.No.
1	99.513.0000.7
2	99.514.0000.7
3	99.515.0000.7
4	99.516.0000.7
5	99.517.0000.7
6	99.518.0000.7
8	99.535.0000.7
9	99.533.0000.7

RST20I3, CABLE ASSEMBLY, 3-POLE

2.5 mm², 20 A



TECHNICAL DATA

Rated current: 20 A
 Degree of protection (IP): IP66/68 (3m;2h)
 Lockable: self-locking (unlocking by tool)
 type of construction: Shrinkage tube
 Additional technical data, see facts & data.

connecting cable, female - male

Cable color: black
 Color of coding: black
 Application: 250 V with PE
 Marking of poles: L, N, PE

Cable color: leaves green
 Color of coding: leaves green
 Application: 250/400 V with PE
 Marking of poles: 1, 2, PE

Length (m)	H07RN-F halogenated	H05VV-F halogenated Eca	H05Z1Z1-F halogen free B2ca s1 d1 a1
	Art.No.	Art.No.	Art.No.
	■ black	■ black	■ black
1	96.233.1030.1	96.233.1000.1	96.233.10B0.1
2	96.233.2030.1	96.233.2000.1	96.233.20B0.1
3	96.233.3030.1	96.233.3000.1	96.233.30B0.1
4	96.233.4030.1	96.233.4000.1	
5	96.233.5030.1	96.233.5000.1	
6	96.233.6030.1	96.233.6000.1	
7	96.233.7030.1	96.233.7000.1	
8	96.233.8030.1	96.233.8000.1	
	■ black	■ black	■ black
1	96.233.1031.7	96.233.1001.7	96.233.10B1.7
2	96.233.2031.7	96.233.2001.7	96.233.20B1.7
3	96.233.3031.7	96.233.3001.7	
4	96.233.4031.7	96.233.4001.7	
5	96.233.5031.7	96.233.5001.7	
6	96.233.6031.7	96.233.6001.7	
7	96.233.7031.7	96.233.7001.7	
8	96.233.8031.7	96.233.8001.7	

connecting cable, female - male

Cable color: black
 Color of coding: black
 Application: 250 V with PE
 Marking of poles: L, N, PE

Cable color: leaves green
 Color of coding: leaves green
 Application: 250/400 V with PE
 Marking of poles: 1, 2, PE

Length (m)	H05Z1Z1-F halogen free Cca s1 d1 a1	H05Z1Z1-F halogen free Dca	H05Z1Z1-F halogen free Eca
	Art.No.	Art.No.	Art.No.
	■ black	■ black	■ black
1	96.233.10C0.1	96.233.10D0.1	96.233.10E0.1
2	96.233.20C0.1	96.233.20D0.1	96.233.20E0.1
3			96.233.30E0.1
4			96.233.40E0.1
5			96.233.50E0.1
6			96.233.60E0.1
7			96.233.70E0.1
8			96.233.80E0.1
	■ black	■ black	
1	96.233.10C1.7	96.233.10D1.7	
2	96.233.20C1.7	96.233.20D1.7	
3			
4			
5			
6			
7			
8			

RST® CLASSIC

RST20I3, CABLE ASSEMBLY, 3-POLE

2.5 mm², 20 A



TECHNICAL DATA

Rated current:	20 A	Preparation of conductor ends:	ultrasonically compressed wire ends
Degree of protection (IP):	IP66/68 (3m;2h)	type of construction:	Shrinkage tube
Lockable:	self-locking (unlocking by tool)	Additional technical data, see facts & data.	

connection cable, female - free end

Cable color: black
 Color of coding: black
 Application: 250 V with PE
 Marking of poles: L, N, PE

Cable color: leaves green
 Color of coding: leaves green
 Application: 250/400 V with PE
 Marking of poles: 1, 2, PE

Length (m)	H07RN-F halogenated	H05VV-F halogenated Eca	H05Z1Z1-F halogen free B2ca s1 d1 a1
	Art.No.	Art.No.	Art.No.
1	96.233.1033.1	96.233.1003.1	96.233.10B3.1
2	96.233.2033.1	96.233.2003.1	96.233.20B3.1
3	96.233.3033.1	96.233.3003.1	
4	96.233.4033.1	96.233.4003.1	
5	96.233.5033.1	96.233.5003.1	
6	96.233.6033.1	96.233.6003.1	
7	96.233.7033.1	96.233.7003.1	
8	96.233.8033.1	96.233.8003.1	
1	96.233.1035.7	96.233.1005.7	96.233.10B5.7
2	96.233.2035.7	96.233.2005.7	96.233.20B5.7
3	96.233.3035.7	96.233.3005.7	
4	96.233.4035.7	96.233.4005.7	
5	96.233.5035.7	96.233.5005.7	
6	96.233.6035.7	96.233.6005.7	
7	96.233.7035.7	96.233.7005.7	
8	96.233.8035.7	96.233.8005.7	



connection cable, female - free end

Cable color: black
 Color of coding: black
 Application: 250 V with PE
 Marking of poles: L, N, PE

Cable color: leaves green
 Color of coding: leaves green
 Application: 250/400 V with PE
 Marking of poles: 1, 2, PE

Length (m)	H05Z1Z1-F halogen free Cca s1 d1 a1	H05Z1Z1-F halogen free Dca	H05Z1Z1-F halogen free Eca
	Art.No.	Art.No.	Art.No.
1	96.233.10C3.1	96.233.10D3.1	96.233.10E3.1
2	96.233.20C3.1	96.233.20D3.1	96.233.20E3.1
3			96.233.30E3.1
4			96.233.40E3.1
5			96.233.50E3.1
6			96.233.60E3.1
7			96.233.70E3.1
8			96.233.80E3.1
1	96.233.10C5.7	96.233.10D5.7	
2	96.233.20C5.7	96.233.20D5.7	
3			
4			
5			
6			
7			
8			

RST20I3, CABLE ASSEMBLY, 3-POLE

2.5 mm², 20 A



TECHNICAL DATA

Rated current: 20 A
 Degree of protection (IP): IP66/68 (3m;2h)
 Lockable: self-locking (unlocking by tool)

Preparation of conductor ends: ultrasonically compressed wire ends
 type of construction: Shrinkage tube
 Additional technical data, see facts & data.

connection cable, male - free end

Cable color: ■ black
 Color of coding: ■ black
 Application: 250 V with PE
 Marking of poles: L, N, PE

Cable color: ■ black
 Color of coding: ■ leaves green
 Application: 250/400 V with PE
 Marking of poles: 1, 2, PE

Length (m)	H07RN-F halogenated	H05VV-F halogenated Eca	H05Z1Z1-F halogen free B2ca s1 d1 a1
	Art.No.	Art.No.	Art.No.
1	96.233.1034.1	96.233.1004.1	96.233.10B4.1
2	96.233.2034.1	96.233.2004.1	96.233.20B4.1
3	96.233.3034.1	96.233.3004.1	
4	96.233.4034.1	96.233.4004.1	
5	96.233.5034.1	96.233.5004.1	
6	96.233.6034.1	96.233.6004.1	
7	96.233.7034.1	96.233.7004.1	
8	96.233.8034.1	96.233.8004.1	
1	96.233.1036.7		96.233.10B6.7
2	96.233.2036.7		96.233.20B6.7
3	96.233.3036.7		
4	96.233.4036.7		
5	96.233.5036.7		
6	96.233.6036.7		
7	96.233.7036.7		
8	96.233.8036.7		

connection cable, male - free end

Cable color: ■ black
 Color of coding: ■ black
 Application: 250 V with PE
 Marking of poles: L, N, PE

Cable color: ■ black
 Color of coding: ■ leaves green
 Application: 250/400 V with PE
 Marking of poles: 1, 2, PE

Length (m)	H05Z1Z1-F halogen free Cca s1 d1 a1	H05Z1Z1-F halogen free Dca	H05Z1Z1-F halogen free Eca
	Art.No.	Art.No.	Art.No.
1	96.233.10C4.1	96.233.10D4.1	96.233.10E4.1
2	96.233.20C4.1	96.233.20D4.1	
3			96.233.30E4.1
4			
5			96.233.50E4.1
6			
7			
8			
1	96.233.10C6.7	96.233.10D6.7	
2	96.233.20C6.7	96.233.20D6.7	
3			
4			
5			
6			
7			
8			



RST® CLASSIC

RST2014, CONNECTOR, 4-POLE

SCREW CONNECTION

TECHNICAL DATA

Rated current:	20 A	Cross section fine-stranded:	0,75 mm ² - 4 mm ²
Degree of protection (IP):	IP66/68 (3m;2h) /IP69	Connection cross section solid:	0,75 mm ² - 4 mm ²
Terminations per pole:	1	Additional technical data, see facts & data.	
Lockable:	self-locking (unlocking by tool)		

female

male



straight, for cables Ø 6-10 mm

Color of coding	Application	Marking of poles	female Art.No.	male Art.No.
■ black	250/400 V with PE	1, 2, 3, PE	96.041.4053.1	96.042.4053.1
□ light grey	250/400 V with PE	1, 2, 3, PE	96.041.4053.0	96.042.4053.0
■ signal brown	~50/-120 V	1, 2, 3, 4	96.041.4051.4	96.042.4051.4

female

male



straight, for cables Ø 10-14 mm

Color of coding	Application	Marking of poles	female Art.No.	male Art.No.
■ black	250/400 V with PE	1, 2, 3, PE	96.041.4153.1	96.042.4153.1
□ light grey	250/400 V with PE	1, 2, 3, PE	96.041.4153.0	96.042.4153.0
■ signal brown	~50/-120 V	1, 2, 3, 4	96.041.4151.4	96.042.4151.4

female

male



straight, for cables Ø 13-18 mm

Color of coding	Application	Marking of poles	female Art.No.	male Art.No.
■ black	250/400 V with PE	1, 2, 3, PE	96.041.4553.1	96.042.4553.1
□ light grey	250/400 V with PE	1, 2, 3, PE	96.041.4553.0	96.042.4553.0

female

male



angled 90°, for cables Ø 6-10 mm

Color of coding	Application	Marking of poles	female Art.No.	male Art.No.
■ black	250/400 V with PE	1, 2, 3, PE	96.043.4053.1	96.044.4053.1
□ light grey	250/400 V with PE	1, 2, 3, PE	96.043.4053.0	96.044.4053.0

female

male



angled 90°, for cables Ø 10-14 mm

Color of coding	Application	Marking of poles	female Art.No.	male Art.No.
■ black	250/400 V with PE	1, 2, 3, PE	96.043.4153.1	96.044.4153.1
□ light grey	250/400 V with PE	1, 2, 3, PE	96.043.4153.0	96.044.4153.0

RST20I4, CONNECTOR, 4-POLE

SCREW CONNECTION

TECHNICAL DATA

Rated current:	20 A	Cross section fine-stranded:	0,75 mm ² - 1,5 mm ²
Degree of protection (IP):	IP66/68 (3m;2h) /IP69	Connection cross section solid:	0,75 mm ² - 1,5 mm ²
Terminations per pole:	1	Additional technical data, see facts & data.	
Lockable:	self-locking (unlocking by tool)		

female



splitter connector, for cables Ø 6-10 mm

female

Color of coding	Application	Marking of poles	Art.No.
■ black	250/400 V with PE	1, 2, 3, PE	96.041.4253.1
□ light grey	250/400 V with PE	1, 2, 3, PE	96.041.4253.0

female



male



splitter connector, for cables Ø 10-14 mm

female

male

Color of coding	Application	Marking of poles	Art.No.	Art.No.
■ black	250/400 V with PE	1, 2, 3, PE	96.041.4353.1	96.042.4353.1
□ light grey	250/400 V with PE	1, 2, 3, PE	96.041.4353.0	

RST20I4, CONNECTOR, 4-POLE

CRIMP

TECHNICAL DATA

Rated current:	20 A	Lockable:	self-locking (unlocking by tool)
Degree of protection (IP):	IP66/68 (3m;2h) /IP69	Cross section fine-stranded:	0,75 mm ² - 4 mm ²
Terminations per pole:	1	Additional technical data, see facts & data.	

female



male



straight, for cables Ø 6-10 mm

Color of coding	Application	Marking of poles	female Art.No.	male Art.No.
■ black	250/400 V with PE	1, 2, 3, PE	96.141.0053.1	96.142.0053.1
□ light grey	250/400 V with PE	1, 2, 3, PE	96.141.0053.0	96.142.0053.0

female



male



straight, for cables Ø 10-14 mm

Color of coding	Application	Marking of poles	female Art.No.	male Art.No.
■ black	250/400 V with PE	1, 2, 3, PE	96.141.0153.1	96.142.0153.1
□ light grey	250/400 V with PE	1, 2, 3, PE	96.141.0153.0	96.142.0153.0

female



male



straight, for cables Ø 13-18 mm

Color of coding	Application	Marking of poles	female Art.No.	male Art.No.
■ black	250/400 V with PE	1, 2, 3, PE	96.141.0553.1	96.142.0553.1
□ light grey	250/400 V with PE	1, 2, 3, PE	96.141.0553.0	96.142.0553.0

female



angled 90°, for cables Ø 6-10 mm

Color of coding	Application	Marking of poles	female Art.No.
■ black	250/400 V with PE	1, 2, 3, PE	96.143.0053.1
□ light grey	250/400 V with PE	1, 2, 3, PE	96.143.0053.0

female



male



angled 90°, for cables Ø 10-14 mm

Color of coding	Application	Marking of poles	female Art.No.	male Art.No.
■ black	250/400 V with PE	1, 2, 3, PE	96.143.0153.1	96.144.0153.1
□ light grey	250/400 V with PE	1, 2, 3, PE	96.143.0153.0	96.144.0153.0

RST20I4, DEVICE CONNECTOR, M16, 4-POLE

SCREW CONNECTION

TECHNICAL DATA

Rated current:	20 A	Cross section fine-stranded:	0,75 mm ² - 4 mm ²
Degree of protection (IP):	IP66/68 (3m;2h) /IP69	Connection cross section solid:	0,75 mm ² - 4 mm ²
Terminations per pole:	1	Additional technical data, see facts & data.	
Lockable:	self-locking (unlocking by tool)		

female



male



modular, straight

Color of coding	Application	Marking of poles	female Art.No.	male Art.No.
■ black	250/400 V with PE	1, 2, 3, PE	96.041.6153.1	96.042.6153.1
□ light grey	250/400 V with PE	1, 2, 3, PE	96.041.6153.0	96.042.6153.0

female



male



modular, angled 7°

Color of coding	Application	Marking of poles	female Art.No.	male Art.No.
■ black	250/400 V with PE	1, 2, 3, PE	96.045.6153.1	96.046.6153.1
□ light grey	250/400 V with PE	1, 2, 3, PE	96.045.6153.0	96.046.6153.0

CRIMP

TECHNICAL DATA

Rated current:	20 A	Lockable:	self-locking (unlocking by tool)
Degree of protection (IP):	IP66/68 (3m;2h) /IP69	Cross section fine-stranded:	0,75 mm ² - 4 mm ²
Terminations per pole:	1	Additional technical data, see facts & data.	

female



male



modular, straight

Color of coding	Application	Marking of poles	female Art.No.	male Art.No.
■ black	250/400 V with PE	1, 2, 3, PE	96.141.2153.1	96.142.2153.1
□ light grey	250/400 V with PE	1, 2, 3, PE	96.141.2153.0	96.142.2153.0

RST20I4, DEVICE CONNECTOR, M20, 4-POLE

SCREW CONNECTION

TECHNICAL DATA

Rated current:	20 A	Cross section fine-stranded:	0,75 mm ² - 4 mm ²
Degree of protection (IP):	IP66/68 (3m;2h) /IP69	Connection cross section solid:	0,75 mm ² - 4 mm ²
Terminations per pole:	1	Additional technical data, see facts & data.	
Lockable:	self-locking (unlocking by tool)		

female

male



modular, straight

Color of coding	Application	Marking of poles	female Art.No.	male Art.No.
■ black	250/400 V with PE	1, 2, 3, PE	96.041.6053.1	96.042.6053.1
□ light grey	250/400 V with PE	1, 2, 3, PE	96.041.6053.0	96.042.6053.0
■ signal brown	~50/-120 V	1, 2, 3, 4	96.041.6051.4	96.042.6051.4

female

male



modular, angled 90°

Color of coding	Application	Marking of poles	female Art.No.	male Art.No.
■ black	250/400 V with PE	1, 2, 3, PE	96.043.6053.1	96.044.6053.1
□ light grey	250/400 V with PE	1, 2, 3, PE	96.043.6053.0	96.044.6053.0

CRIMP

TECHNICAL DATA

Rated current:	20 A	Lockable:	self-locking (unlocking by tool)
Degree of protection (IP):	IP66/68 (3m;2h) /IP69	Cross section fine-stranded:	0,75 mm ² - 4 mm ²
Terminations per pole:	1	Additional technical data, see facts & data.	

female

male



modular, straight

Color of coding	Application	Marking of poles	female Art.No.	male Art.No.
■ black	250/400 V with PE	1, 2, 3, PE	96.141.2053.1	96.142.2053.1
□ light grey	250/400 V with PE	1, 2, 3, PE	96.141.2053.0	96.142.2053.0

female

male



modular, angled 90°

Color of coding	Application	Marking of poles	female Art.No.	male Art.No.
■ black	250/400 V with PE	1, 2, 3, PE	96.143.2053.1	96.144.2053.1
□ light grey	250/400 V with PE	1, 2, 3, PE	96.143.2053.0	96.144.2053.0

RST2014, DEVICE CONNECTOR, M25, 4-POLE

SCREW CONNECTION

TECHNICAL DATA

Rated current:	20 A	Cross section fine-stranded:	0,75 mm ² - 4 mm ²
Degree of protection (IP):	IP66/68 (3m;2h) /IP69	Connection cross section solid:	0,75 mm ² - 4 mm ²
Terminations per pole:	1	Additional technical data, see facts & data.	
Lockable:	self-locking (unlocking by tool)		

female



male



standard, straight

Color of coding	Application	Marking of poles	female Art.No.	male Art.No.
■ black	250/400 V with PE	1, 2, 3, PE	96.041.5053.1	96.042.5053.1
□ light grey	250/400 V with PE	1, 2, 3, PE	96.041.5053.0	96.042.5053.0
■ signal brown	~50/-120 V	1, 2, 3, 4	96.041.5051.4	96.042.5051.4

female



male



modular, angled 90°

Color of coding	Application	Marking of poles	female Art.No.	male Art.No.
■ black	250/400 V with PE	1, 2, 3, PE	96.043.6253.1	96.044.6253.1
□ light grey	250/400 V with PE	1, 2, 3, PE	96.043.6253.0	96.044.6253.0
■ signal brown	~50/-120 V	1, 2, 3, 4	96.043.6251.4	96.044.6251.4

CRIMP

TECHNICAL DATA

Rated current:	20 A	Lockable:	self-locking (unlocking by tool)
Degree of protection (IP):	IP66/68 (3m;2h) /IP69	Cross section fine-stranded:	0,75 mm ² - 4 mm ²
Terminations per pole:	1	Additional technical data, see facts & data.	

female



male



standard, straight

Color of coding	Application	Marking of poles	female Art.No.	male Art.No.
■ black	250/400 V with PE	1, 2, 3, PE	96.141.1053.1	96.142.1053.1
□ light grey	250/400 V with PE	1, 2, 3, PE	96.141.1053.0	96.142.1053.0

female



male



modular, angled 90°

Color of coding	Application	Marking of poles	female Art.No.	male Art.No.
■ black	250/400 V with PE	1, 2, 3, PE	96.143.2253.1	96.144.2253.1
□ light grey	250/400 V with PE	1, 2, 3, PE	96.143.2253.0	96.144.2253.0

RST20I4, DISTRIBUTOR, 4-POLE

TECHNICAL DATA

Rated current:	20 A	Lockable:	self-locking (unlocking by tool)
Degree of protection (IP):	IP66/68 (3m;2h) /IP69	Additional technical data, see facts & data.	



compact distributor 1l / 30, parallel connection, with fastening option

Color of coding	Application	Marking of poles	Art.No.
■ black	250/400 V with PE	1, 2, 3, PE	99.911.0000.7

RST20I4, CABLE ASSEMBLY, 4-POLE

1.5 mm², 16 A



TECHNICAL DATA

Rated current: 16 A
 Degree of protection (IP): IP66/68 (3m;2h) /IP69
 Lockable: self-locking (unlocking by tool)

type of construction: Cable screw gland
 Additional technical data, see facts & data.

connecting cable, female - male

Cable color: ■ black
 Color of coding: ■ black
 Application: 250/400 V with PE
 Marking of poles: 1, 2, 3, PE

Length (m)	H07RN-F halogenated	H05VV-F halogenated Eca
	Art.No.	Art.No.
	■ black	■ black
1	96.442.1030.1	96.442.1000.1
2	96.442.2030.1	96.442.2000.1
3	96.442.3030.1	96.442.3000.1
4	96.442.4030.1	96.442.4000.1
5	96.442.5030.1	96.442.5000.1
6	96.442.6030.1	96.442.6000.1
7	96.442.7030.1	96.442.7000.1
8	96.442.8030.1	96.442.8000.1



TECHNICAL DATA

Rated current: 16 A
 Degree of protection (IP): IP66/68 (3m;2h) /IP69
 Lockable: self-locking (unlocking by tool)

Preparation of conductor ends: ultrasonically compressed wire ends
 type of construction: Cable screw gland
 Additional technical data, see facts & data.

connection cable, female - free end

Cable color: ■ black
 Color of coding: ■ black
 Application: 250/400 V with PE
 Marking of poles: 1, 2, 3, PE

Length (m)	H07RN-F halogenated	H05VV-F halogenated Eca
	Art.No.	Art.No.
	■ black	■ black
1	96.442.1033.1	96.442.1003.1
2	96.442.2033.1	96.442.2003.1
3	96.442.3033.1	96.442.3003.1
4	96.442.4033.1	96.442.4003.1
5	96.442.5033.1	96.442.5003.1
6	96.442.6033.1	96.442.6003.1
7	96.442.7033.1	96.442.7003.1
8	96.442.8033.1	96.442.8003.1

RST® CLASSIC

RST20I4, CABLE ASSEMBLY, 4-POLE

1.5 mm², 16 A



TECHNICAL DATA

Rated current:	16 A	Preparation of conductor ends:	ultrasonically compressed wire ends
Degree of protection (IP):	IP66/68 (3m;2h) /IP69	type of construction:	Cable screw gland
Lockable:	self-locking (unlocking by tool)	Additional technical data, see facts & data.	

connection cable, male - free end

Cable color:	
Color of coding:	■ black
Application:	250/400 V with PE
Marking of poles:	1, 2, 3, PE

Length (m)	H07RN-F halogenated	H05VV-F halogenated Eca
	Art.No.	Art.No.
	■ black	■ black
1	96.442.1034.1	96.442.1004.1
2	96.442.2034.1	96.442.2004.1
3	96.442.3034.1	96.442.3004.1
4	96.442.4034.1	96.442.4004.1
5	96.442.5034.1	96.442.5004.1
6	96.442.6034.1	96.442.6004.1
7	96.442.7034.1	96.442.7004.1
8	96.442.8034.1	96.442.8004.1

RST20I4, CABLE ASSEMBLY, 4-POLE

2.5 mm², 20 A



TECHNICAL DATA

Rated current: 20 A
 Degree of protection (IP): IP66/68 (3m;2h) /IP69
 Lockable: self-locking (unlocking by tool)

type of construction: Cable screw gland
 Additional technical data, see facts & data.

connecting cable, female - male

Cable color: black
 Color of coding: ■ black
 Application: 250/400 V with PE
 Marking of poles: 1, 2, 3, PE

Length (m)	H07RN-F halogenated	H05VV-F halogenated Eca
	Art.No.	Art.No.
	■ black	■ black
1	96.443.1030.1	96.443.1000.1
2	96.443.2030.1	96.443.2000.1
3	96.443.3030.1	96.443.3000.1
4	96.443.4030.1	96.443.4000.1
5	96.443.5030.1	96.443.5000.1
6		96.443.6000.1
7	96.443.7030.1	96.443.7000.1
8	96.443.8030.1	96.443.8000.1



TECHNICAL DATA

Rated current: 20 A
 Degree of protection (IP): IP66/68 (3m;2h) /IP69
 Lockable: self-locking (unlocking by tool)

Preparation of conductor ends: ultrasonically compressed wire ends
 type of construction: Cable screw gland
 Additional technical data, see facts & data.

connection cable, female - free end

Cable color: black
 Color of coding: ■ black
 Application: 250/400 V with PE
 Marking of poles: 1, 2, 3, PE

Length (m)	H07RN-F halogenated	H05VV-F halogenated Eca
	Art.No.	Art.No.
	■ black	■ black
1	96.443.1033.1	96.443.1003.1
2	96.443.2033.1	96.443.2003.1
3	96.443.3033.1	96.443.3003.1
4	96.443.4033.1	96.443.4003.1
5	96.443.5033.1	96.443.5003.1
6	96.443.6033.1	96.443.6003.1
7	96.443.7033.1	96.443.7003.1
8	96.443.8033.1	96.443.8003.1

RST® CLASSIC

RST20I4, CABLE ASSEMBLY, 4-POLE

2.5 mm², 20 A



TECHNICAL DATA

Rated current:	20 A	Preparation of conductor ends:	ultrasonically compressed wire ends
Degree of protection (IP):	IP66/68 (3m;2h) /IP69	type of construction:	Cable screw gland
Lockable:	self-locking (unlocking by tool)	Additional technical data, see facts & data.	

connection cable, male - free end

Cable color:	■ black
Color of coding:	■ black
Application:	250/400 V with PE
Marking of poles:	1, 2, 3, PE

Length (m)	H07RN-F halogenated	H05VV-F halogenated Eca
	Art.No.	Art.No.
	■ black	■ black
1	96.443.1034.1	96.443.1004.1
2	96.443.2034.1	96.443.2004.1
3	96.443.3034.1	96.443.3004.1
4	96.443.4034.1	96.443.4004.1
5	96.443.5034.1	96.443.5004.1
6	96.443.6034.1	96.443.6004.1
7	96.443.7034.1	96.443.7004.1
8	96.443.8034.1	96.443.8004.1

RST2015, CONNECTOR, 5-POLE

SCREW CONNECTION

TECHNICAL DATA

Rated current:	20 A	Cross section fine-stranded:	0,75 mm ² - 4 mm ²
Degree of protection (IP):	IP66/68 (3m;2h) /IP69	Connection cross section solid:	0,75 mm ² - 4 mm ²
Terminations per pole:	1	Additional technical data, see facts & data.	
Lockable:	self-locking (unlocking by tool)		

female

male



straight, for cables Ø 6-10 mm

Color of coding	Application	Marking of poles	female Art.No.	male Art.No.
■ black	250/400 V with PE	1, 2, 3, N, PE	96.051.4053.1	96.052.4053.1
□ light grey	250/400 V with PE	1, 2, 3, N, PE	96.051.4053.0	96.052.4053.0
■ light blue	250/400 V	1, 2, 3, 4, 5	96.051.4053.9	96.052.4053.9
■ turquoise blue	250 V with PE	D1, D2, L, PE, N	96.051.4053.6	96.052.4053.6
■ yellow	250/400 V	N, E, 1, 2, 3	96.051.4053.2	96.052.4053.2
■ signal brown	~50/-120 V	1, 2, 3, 4, 5	96.051.4051.4	96.052.4051.4

female

male



straight, for cables Ø 10-14 mm

Color of coding	Application	Marking of poles	female Art.No.	male Art.No.
■ black	250/400 V with PE	1, 2, 3, N, PE	96.051.4153.1	96.052.4153.1
□ light grey	250/400 V with PE	1, 2, 3, N, PE	96.051.4153.0	96.052.4153.0
■ light blue	250/400 V	1, 2, 3, 4, 5	96.051.4153.9	96.052.4153.9
■ turquoise blue	250 V with PE	D1, D2, L, PE, N	96.051.4153.6	96.052.4153.6
■ yellow	250/400 V	N, E, 1, 2, 3	96.051.4153.2	96.052.4153.2
■ signal brown	~50/-120 V	1, 2, 3, 4, 5	96.051.4151.4	96.052.4151.4

female

male



straight, for cables Ø 13-18 mm

Color of coding	Application	Marking of poles	female Art.No.	male Art.No.
■ black	250/400 V with PE	1, 2, 3, N, PE	96.051.4553.1	96.052.4553.1
□ light grey	250/400 V with PE	1, 2, 3, N, PE	96.051.4553.0	96.052.4553.0
■ light blue	250/400 V	1, 2, 3, 4, 5	96.051.4553.9	96.052.4553.9
■ turquoise blue	250 V with PE	D1, D2, L, PE, N	96.051.4553.6	96.052.4553.6
■ yellow	250/400 V	N, E, 1, 2, 3	96.051.4553.2	96.052.4553.2
■ signal brown	~50/-120 V	1, 2, 3, 4, 5	96.051.4551.4	96.052.4551.4

female

male



angled 90°, for cables Ø 6-10 mm

Color of coding	Application	Marking of poles	female Art.No.	male Art.No.
■ black	250/400 V with PE	1, 2, 3, N, PE	96.053.4053.1	96.054.4053.1
□ light grey	250/400 V with PE	1, 2, 3, N, PE	96.053.4053.0	96.054.4053.0
■ light blue	250/400 V	1, 2, 3, 4, 5	96.053.4053.9	96.054.4053.9
■ turquoise blue	250 V with PE	D1, D2, L, PE, N	96.053.4053.6	96.054.4053.6
■ signal brown	~50/-120 V	1, 2, 3, 4, 5	96.053.4051.4	96.054.4051.4

female

male



angled 90°, for cables Ø 10-14 mm

Color of coding	Application	Marking of poles	female Art.No.	male Art.No.
■ black	250/400 V with PE	1, 2, 3, N, PE	96.053.4153.1	96.054.4153.1
□ light grey	250/400 V with PE	1, 2, 3, N, PE	96.053.4153.0	96.054.4153.0
■ light blue	250/400 V	1, 2, 3, 4, 5	96.053.4153.9	96.054.4153.9
■ turquoise blue	250 V with PE	D1, D2, L, PE, N	96.053.4153.6	96.054.4153.6
■ signal brown	~50/-120 V	1, 2, 3, 4, 5	96.053.4151.4	96.054.4151.4

RST20I5, CONNECTOR, 5-POLE

SCREW CONNECTION

TECHNICAL DATA

Rated current:	20 A	Cross section fine-stranded:	0,75 mm ² - 1,5 mm ²
Degree of protection (IP):	IP66/68 (3m;2h) /IP69	Connection cross section solid:	0,75 mm ² - 1,5 mm ²
Terminations per pole:	1	Additional technical data, see facts & data.	
Lockable:	self-locking (unlocking by tool)		

female

male



splitter connector, for cables Ø 6-10 mm

female

male

Color of coding	Application	Marking of poles	Art.No.	Art.No.
■ black	250/400 V with PE	1, 2, 3, N, PE	96.051.4253.1	96.052.4253.1
□ light grey	250/400 V with PE	1, 2, 3, N, PE	96.051.4253.0	96.052.4253.0
■ light blue	250/400 V	1, 2, 3, 4, 5	96.051.4253.9	
■ turquoise blue	250 V with PE	D1, D2, L, PE, N	96.051.4253.6	96.052.4253.6
■ signal brown	~50/-120 V	1, 2, 3, 4, 5	96.051.4251.4	96.052.4251.4

female

male



splitter connector, for cables Ø 10-14 mm

female

male

Color of coding	Application	Marking of poles	Art.No.	Art.No.
■ black	250/400 V with PE	1, 2, 3, N, PE	96.051.4353.1	96.052.4353.1
□ light grey	250/400 V with PE	1, 2, 3, N, PE	96.051.4353.0	96.052.4353.0
■ light blue	250/400 V	1, 2, 3, 4, 5	96.051.4353.9	
■ turquoise blue	250 V with PE	D1, D2, L, PE, N	96.051.4353.6	96.052.4353.6
■ signal brown	~50/-120 V	1, 2, 3, 4, 5	96.051.4351.4	

RST2015, CONNECTOR, 5-POLE

CRIMP

TECHNICAL DATA

Rated current:	20 A	Lockable:	self-locking (unlocking by tool)
Degree of protection (IP):	IP66/68 (3m;2h) /IP69	Cross section fine-stranded:	0,75 mm ² - 4 mm ²
Terminations per pole:	1	Additional technical data, see facts & data.	

female



male



straight, for cables Ø 6-10 mm

Color of coding	Application	Marking of poles	female Art.No.	male Art.No.
■ black	250/400 V with PE	1, 2, 3, N, PE	96.151.0053.1	96.152.0053.1
□ light grey	250/400 V with PE	1, 2, 3, N, PE	96.151.0053.0	96.152.0053.0
■ light blue	250/400 V	1, 2, 3, 4, 5	96.151.0053.9	96.152.0053.9
■ turquoise blue	250 V with PE	D1, D2, L, PE, N	96.151.0053.6	96.152.0053.6
■ signal brown	~50/-120 V	1, 2, 3, 4, 5	96.151.0051.4	96.152.0051.4

female



male



straight, for cables Ø 10-14 mm

Color of coding	Application	Marking of poles	female Art.No.	male Art.No.
■ black	250/400 V with PE	1, 2, 3, N, PE	96.151.0153.1	96.152.0153.1
□ light grey	250/400 V with PE	1, 2, 3, N, PE	96.151.0153.0	96.152.0153.0
■ light blue	250/400 V	1, 2, 3, 4, 5	96.151.0153.9	96.152.0153.9
■ turquoise blue	250 V with PE	D1, D2, L, PE, N	96.151.0153.6	96.152.0153.6
■ signal brown	~50/-120 V	1, 2, 3, 4, 5	96.151.0151.4	96.152.0151.4

female



male



straight, for cables Ø 13-18 mm

Color of coding	Application	Marking of poles	female Art.No.	male Art.No.
■ black	250/400 V with PE	1, 2, 3, N, PE	96.151.0553.1	96.152.0553.1
□ light grey	250/400 V with PE	1, 2, 3, N, PE	96.151.0553.0	96.152.0553.0
■ light blue	250/400 V	1, 2, 3, 4, 5	96.151.0553.9	96.152.0553.9
■ turquoise blue	250 V with PE	D1, D2, L, PE, N	96.151.0553.6	96.152.0553.6
■ signal brown	~50/-120 V	1, 2, 3, 4, 5	96.151.0551.4	96.152.0551.4

female



male



angled 90°, for cables Ø 6-10 mm

Color of coding	Application	Marking of poles	female Art.No.	male Art.No.
■ black	250/400 V with PE	1, 2, 3, N, PE	96.153.0053.1	96.154.0053.1
□ light grey	250/400 V with PE	1, 2, 3, N, PE	96.153.0053.0	96.154.0053.0
■ light blue	250/400 V	1, 2, 3, 4, 5	96.153.0053.9	96.154.0053.9
■ turquoise blue	250 V with PE	D1, D2, L, PE, N	96.153.0053.6	96.154.0053.6
■ signal brown	~50/-120 V	1, 2, 3, 4, 5	96.153.0051.4	96.154.0051.4

female



male



angled 90°, for cables Ø 10-14 mm

Color of coding	Application	Marking of poles	female Art.No.	male Art.No.
■ black	250/400 V with PE	1, 2, 3, N, PE	96.153.0153.1	96.154.0153.1
□ light grey	250/400 V with PE	1, 2, 3, N, PE	96.153.0153.0	96.154.0153.0
■ light blue	250/400 V	1, 2, 3, 4, 5	96.153.0153.9	96.154.0153.9
■ turquoise blue	250 V with PE	D1, D2, L, PE, N	96.153.0153.6	96.154.0153.6
■ signal brown	~50/-120 V	1, 2, 3, 4, 5	96.153.0151.4	96.154.0151.4

RST20I5, DEVICE CONNECTOR, M16, 5-POLE

SCREW CONNECTION

TECHNICAL DATA

Rated current:	20 A	Cross section fine-stranded:	0,75 mm ² - 4 mm ²
Degree of protection (IP):	IP66/68 (3m;2h) /IP69	Connection cross section solid:	0,75 mm ² - 4 mm ²
Terminations per pole:	1	Additional technical data, see facts & data.	
Lockable:	self-locking (unlocking by tool)		

female

male



modular, straight

Color of coding	Application	Marking of poles	female Art.No.	male Art.No.
■ black	250/400 V with PE	1, 2, 3, N, PE	96.051.6153.1	96.052.6153.1
□ light grey	250/400 V with PE	1, 2, 3, N, PE	96.051.6153.0	96.052.6153.0
■ light blue	250/400 V	1, 2, 3, 4, 5	96.051.6153.9	96.052.6153.9
■ turquoise blue	250 V with PE	D1, D2, L, PE, N	96.051.6153.6	96.052.6153.6
■ signal brown	~50/-120 V	1, 2, 3, 4, 5	96.051.6151.4	96.052.6151.4

female

male



modular, angled 7°

Color of coding	Application	Marking of poles	female Art.No.	male Art.No.
■ black	250/400 V with PE	1, 2, 3, N, PE	96.055.6153.1	96.056.6153.1
□ light grey	250/400 V with PE	1, 2, 3, N, PE	96.055.6153.0	96.056.6153.0
■ turquoise blue	250 V with PE	D1, D2, L, PE, N	96.055.6153.6	96.056.6153.6

CRIMP

TECHNICAL DATA

Rated current:	20 A	Lockable:	self-locking (unlocking by tool)
Degree of protection (IP):	IP66/68 (3m;2h) /IP69	Cross section fine-stranded:	0,75 mm ² - 4 mm ²
Terminations per pole:	1	Additional technical data, see facts & data.	

female

male



modular, straight

Color of coding	Application	Marking of poles	female Art.No.	male Art.No.
■ black	250/400 V with PE	1, 2, 3, N, PE	96.151.2153.1	96.152.2153.1
□ light grey	250/400 V with PE	1, 2, 3, N, PE	96.151.2153.0	96.152.2153.0
■ light blue	250/400 V	1, 2, 3, 4, 5	96.151.2153.9	96.152.2153.9
■ turquoise blue	250 V with PE	D1, D2, L, PE, N	96.151.2153.6	96.152.2153.6
■ signal brown	~50/-120 V	1, 2, 3, 4, 5	96.151.2151.4	96.152.2151.4

female

male



modular, angled 7°

Color of coding	Application	Marking of poles	female Art.No.	male Art.No.
□ light grey	250/400 V with PE	1, 2, 3, N, PE	96.155.2153.0	96.156.2153.0

RST2015, DEVICE CONNECTOR, M20, 5-POLE

SCREW CONNECTION

TECHNICAL DATA

Rated current:	20 A	Cross section fine-stranded:	0,75 mm ² - 4 mm ²
Degree of protection (IP):	IP66/68 (3m;2h) /IP69	Connection cross section solid:	0,75 mm ² - 4 mm ²
Terminations per pole:	1	Additional technical data, see facts & data.	
Lockable:	self-locking (unlocking by tool)		

female

male



modular, straight

Color of coding	Application	Marking of poles	female Art.No.	male Art.No.
■ black	250/400 V with PE	1, 2, 3, N, PE	96.051.6053.1	96.052.6053.1
□ light grey	250/400 V with PE	1, 2, 3, N, PE	96.051.6053.0	96.052.6053.0
■ light blue	250/400 V	1, 2, 3, 4, 5	96.051.6053.9	96.052.6053.9
■ turquoise blue	250 V with PE	D1, D2, L, PE, N	96.051.6053.6	96.052.6053.6
■ signal brown	~50/-120 V	1, 2, 3, 4, 5	96.051.6051.4	96.052.6051.4

female

male



modular, angled 90°

Color of coding	Application	Marking of poles	female Art.No.	male Art.No.
■ black	250/400 V with PE	1, 2, 3, N, PE	96.053.6053.1	96.054.6053.1
□ light grey	250/400 V with PE	1, 2, 3, N, PE	96.053.6053.0	96.054.6053.0
■ light blue	250/400 V	1, 2, 3, 4, 5	96.053.6053.9	96.054.6053.9
■ turquoise blue	250 V with PE	D1, D2, L, PE, N	96.053.6053.6	96.054.6053.6
■ signal brown	~50/-120 V	1, 2, 3, 4, 5	96.053.6051.4	96.054.6051.4

CRIMP

TECHNICAL DATA

Rated current:	20 A	Lockable:	self-locking (unlocking by tool)
Degree of protection (IP):	IP66/68 (3m;2h) /IP69	Cross section fine-stranded:	0,75 mm ² - 4 mm ²
Terminations per pole:	1	Additional technical data, see facts & data.	

female

male



modular, straight

Color of coding	Application	Marking of poles	female Art.No.	male Art.No.
■ black	250/400 V with PE	1, 2, 3, N, PE	96.151.2053.1	96.152.2053.1
□ light grey	250/400 V with PE	1, 2, 3, N, PE	96.151.2053.0	96.152.2053.0
■ light blue	250/400 V	1, 2, 3, 4, 5	96.151.2053.9	96.152.2053.9
■ turquoise blue	250 V with PE	D1, D2, L, PE, N	96.151.2053.6	96.152.2053.6
■ signal brown	~50/-120 V	1, 2, 3, 4, 5	96.151.2051.4	96.152.2051.4

female

male



modular, angled 90°

Color of coding	Application	Marking of poles	female Art.No.	male Art.No.
■ black	250/400 V with PE	1, 2, 3, N, PE	96.153.2053.1	96.154.2053.1
□ light grey	250/400 V with PE	1, 2, 3, N, PE	96.153.2053.0	96.154.2053.0
■ light blue	250/400 V	1, 2, 3, 4, 5	96.153.2053.9	96.154.2053.9
■ turquoise blue	250 V with PE	D1, D2, L, PE, N	96.153.2053.6	96.154.2053.6
■ signal brown	~50/-120 V	1, 2, 3, 4, 5	96.153.2051.4	96.154.2051.4

RST2015, DEVICE CONNECTOR, M25, 5-POLE

SCREW CONNECTION

TECHNICAL DATA

Rated current:	20 A	Cross section fine-stranded:	0,75 mm ² - 4 mm ²
Degree of protection (IP):	IP66/68 (3m;2h) /IP69	Connection cross section solid:	0,75 mm ² - 4 mm ²
Terminations per pole:	1	Additional technical data, see facts & data.	
Lockable:	self-locking (unlocking by tool)		

female



male



standard, straight

Color of coding	Application	Marking of poles	female Art.No.	male Art.No.
■ black	250/400 V with PE	1, 2, 3, N, PE	96.051.5053.1	96.052.5053.1
□ light grey	250/400 V with PE	1, 2, 3, N, PE	96.051.5053.0	96.052.5053.0
■ light blue	250/400 V	1, 2, 3, 4, 5	96.051.5053.9	96.052.5053.9
■ turquoise blue	250 V with PE	D1, D2, L, PE, N	96.051.5053.6	96.052.5053.6
■ signal brown	~50/-120 V	1, 2, 3, 4, 5	96.051.5051.4	96.052.5051.4

female



male



modular, angled 90°

Color of coding	Application	Marking of poles	female Art.No.	male Art.No.
■ black	250/400 V with PE	1, 2, 3, N, PE	96.053.6253.1	96.054.6253.1
□ light grey	250/400 V with PE	1, 2, 3, N, PE	96.053.6253.0	96.054.6253.0
■ light blue	250/400 V	1, 2, 3, 4, 5	96.053.6253.9	96.054.6253.9
■ turquoise blue	250 V with PE	D1, D2, L, PE, N	96.053.6253.6	96.054.6253.6
■ signal brown	~50/-120 V	1, 2, 3, 4, 5	96.053.6251.4	96.054.6251.4

CRIMP

TECHNICAL DATA

Rated current:	20 A	Cross section fine-stranded:	0,75 mm ² - 4 mm ²
Degree of protection (IP):	IP66/68 (3m;2h) /IP69	Connection cross section solid:	0,75 mm ² - 4 mm ²
Terminations per pole:	1	Additional technical data, see facts & data.	
Lockable:	self-locking (unlocking by tool)		

female



male



standard, straight

Color of coding	Application	Marking of poles	female Art.No.	male Art.No.
■ black	250/400 V with PE	1, 2, 3, N, PE	96.151.1053.1	96.152.1053.1
□ light grey	250/400 V with PE	1, 2, 3, N, PE	96.151.1053.0	96.152.1053.0
■ light blue	250/400 V	1, 2, 3, 4, 5	96.151.1053.9	96.152.1053.9
■ turquoise blue	250 V with PE	D1, D2, L, PE, N	96.151.1053.6	96.152.1053.6
■ yellow	250/400 V	N, E, 1, 2, 3	96.151.1053.2	96.152.1053.2
■ signal brown	~50/-120 V	1, 2, 3, 4, 5	96.151.1051.4	96.152.1051.4

female



male



modular, angled 90°

Color of coding	Application	Marking of poles	female Art.No.	male Art.No.
■ black	250/400 V with PE	1, 2, 3, N, PE	96.153.2253.1	96.154.2253.1
□ light grey	250/400 V with PE	1, 2, 3, N, PE	96.153.2253.0	96.154.2253.0
■ light blue	250/400 V	1, 2, 3, 4, 5	96.153.2253.9	96.154.2253.9
■ turquoise blue	250 V with PE	D1, D2, L, PE, N	96.153.2253.6	96.154.2253.6
■ signal brown	~50/-120 V	1, 2, 3, 4, 5	96.153.2251.4	96.154.2251.4

RST2015, DISTRIBUTOR, 5-POLE

TECHNICAL DATA

Rated current:	20 A	Lockable:	self-locking (unlocking by tool)
Degree of protection (IP):	IP66/68 (3m;2h) /IP69	Additional technical data, see facts & data.	



compact distributor 11 / 20, parallel connection, with fastening option

Color of coding	Application	Marking of poles	Art.No.
■ black	250/400 V with PE	1, 2, 3, N, PE	96.050.1153.1



compact distributor 11 / 30, parallel connection, with fastening option

Color of coding	Application	Marking of poles	Art.No.
■ black	250/400 V with PE	1, 2, 3, N, PE	96.050.0153.1
□ light grey	250/400 V with PE	1, 2, 3, N, PE	96.050.0153.0



compact distributor phase selection L1, with fastening option

Color of coding	Application	Marking of poles	Art.No.
■ black	250/400 V with PE	1, 2, 3, N, PE	96.050.3153.1



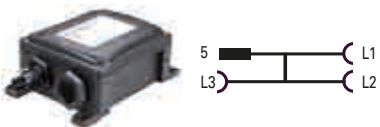
compact distributor phase selection L2, with fastening option

Color of coding	Application	Marking of poles	Art.No.
■ black	250/400 V with PE	1, 2, 3, N, PE	96.050.4153.1



compact distributor phase selection L3, with fastening option

Color of coding	Application	Marking of poles	Art.No.
■ black	250/400 V with PE	1, 2, 3, N, PE	96.050.5153.1



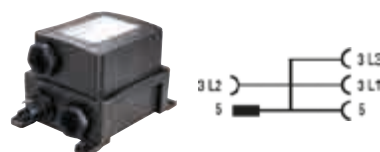
compact distributor phase selection L1, L2, L3, with fastening option

Color of coding	Application	Marking of poles	Art.No.
■ black	250/400 V with PE	1, 2, 3, N, PE	96.050.6153.1



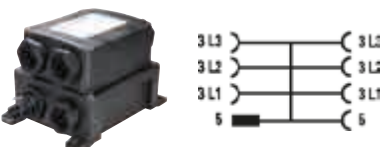
multi-distribution unit 11 / 70, parallel connection, with fastening option

Color of coding	Application	Marking of poles	Art.No.
■ black	250/400 V with PE	1, 2, 3, N, PE	96.050.2153.1



multi-distribution unit phase selection L1, L2, L3, with fastening option

Color of coding	Application	Marking of poles	Art.No.
■ black	250/400 V with PE	1, 2, 3, N, PE	99.902.0000.7



multi-distribution unit phase selection 2x L1, L2, L3, with fastening option

Color of coding	Application	Marking of poles	Art.No.
■ black	250/400 V with PE	1, 2, 3, N, PE	96.050.7153.1

RST2015, CABLE ASSEMBLY, 5-POLE

1.5 mm², 16 A



TECHNICAL DATA

Rated current: 16 A
 Degree of protection (IP): IP66/68 (3m;2h) /IP69
 Lockable: self-locking (unlocking by tool)
 type of construction: Cable screw gland
 Additional technical data, see facts & data.

connecting cable, female - male

Cable color:
 Color of coding: ■ black
 Application: 250/400 V with PE
 Marking of poles: 1, 2, 3, N, PE

Cable color:
 Color of coding: ■ turquoise blue
 Application: 250 V with PE
 Marking of poles: D1, D2, L, PE, N

Length (m)	H07RN-F	H07RN-F - Enhanced Version	H05VV-F
	halogenated	halogen free	halogenated Eca
	Art.No.	Art.No.	Art.No.
1	96.452.1030.1	96.452.1050.1	96.452.1000.1
2	96.452.2030.1	96.452.2050.1	96.452.2000.1
3	96.452.3030.1	96.452.3050.1	96.452.3000.1
4	96.452.4030.1	96.452.4050.1	96.452.4000.1
5	96.452.5030.1	96.452.5050.1	96.452.5000.1
6	96.452.6030.1	96.452.6050.1	96.452.6000.1
7	96.452.7030.1	96.452.7050.1	96.452.7000.1
8	96.452.8030.1	96.452.8050.1	96.452.8000.1
	■ black		■ black
1	96.452.1030.6		96.452.1000.6
2	96.452.2030.6		96.452.2000.6
3	96.452.3030.6		96.452.3000.6
4	96.452.4030.6		96.452.4000.6
5	96.452.5030.6		96.452.5000.6
6	96.452.6030.6		96.452.6000.6
7	96.452.7030.6		96.452.7000.6
8	96.452.8030.6		96.452.8000.6

connecting cable, female - male

Cable color:
 Color of coding: ■ black
 Application: 250/400 V with PE
 Marking of poles: 1, 2, 3, N, PE

Cable color:
 Color of coding: ■ turquoise blue
 Application: 250 V with PE
 Marking of poles: D1, D2, L, PE, N

Length (m)	H05Z1Z1-F	H05Z1Z1-F
	halogen free B2ca s1 d1 a1	halogen free Cca s1 d1 a1
	Art.No.	Art.No.
1	96.452.10B0.1	96.452.10C0.1
2	96.452.20B0.1	96.452.20C0.1
3	96.452.30B0.1	96.452.30C0.1
4	96.452.40B0.1	96.452.40C0.1
5	96.452.50B0.1	96.452.50C0.1
6	96.452.60B0.1	96.452.60C0.1
7	96.452.70B0.1	96.452.70C0.1
8	96.452.80B0.1	96.452.80C0.1
	■ black	■ black
1	96.452.10B0.6	96.452.10C0.6
2	96.452.20B0.6	96.452.20C0.6
3	96.452.30B0.6	96.452.30C0.6
4	96.452.40B0.6	96.452.40C0.6
5	96.452.50B0.6	96.452.50C0.6
6	96.452.60B0.6	96.452.60C0.6
7	96.452.70B0.6	96.452.70C0.6
8	96.452.80B0.6	96.452.80C0.6

RST® CLASSIC

RST2015, CABLE ASSEMBLY, 5-POLE

1.5 mm², 16 A



TECHNICAL DATA

Rated current:	16 A	Preparation of conductor ends:	ultrasonically compressed wire ends
Degree of protection (IP):	IP66/68 (3m;2h) /IP69	type of construction:	Cable screw gland
Lockable:	self-locking (unlocking by tool)	Additional technical data, see facts & data.	

connection cable, female - free end

Cable color: black
 Color of coding: ■ black
 Application: 250/400 V with PE
 Marking of poles: 1, 2, 3, N, PE

Cable color: black
 Color of coding: ■ turquoise blue
 Application: 250 V with PE
 Marking of poles: D1, D2, L, PE, N

Length (m)	H07RN-F	H07RN-F - Enhanced Version	H05VV-F
	halogenated	halogen free	halogenated Eca
	Art.No.	Art.No.	Art.No.
1	96.452.1033.1	96.452.1053.1	96.452.1003.1
2	96.452.2033.1	96.452.2053.1	96.452.2003.1
3	96.452.3033.1	96.452.3053.1	96.452.3003.1
4	96.452.4033.1	96.452.4053.1	96.452.4003.1
5	96.452.5033.1	96.452.5053.1	96.452.5003.1
6	96.452.6033.1	96.452.6053.1	96.452.6003.1
7	96.452.7033.1	96.452.7053.1	96.452.7003.1
8	96.452.8033.1	96.452.8053.1	96.452.8003.1
1	96.452.1033.6		96.452.1003.6
2	96.452.2033.6		96.452.2003.6
3	96.452.3033.6		96.452.3003.6
4	96.452.4033.6		96.452.4003.6
5	96.452.5033.6		96.452.5003.6
6	96.452.6033.6		96.452.6003.6
7	96.452.7033.6		96.452.7003.6
8	96.452.8033.6		96.452.8003.6



connection cable, female - free end

Cable color: black
 Color of coding: ■ black
 Application: 250/400 V with PE
 Marking of poles: 1, 2, 3, N, PE

Cable color: black
 Color of coding: ■ turquoise blue
 Application: 250 V with PE
 Marking of poles: D1, D2, L, PE, N

Length (m)	H05Z1Z1-F	H05Z1Z1-F
	halogen free B2ca s1 d1 a1	halogen free Cca s1 d1 a1
	Art.No.	Art.No.
1	96.452.10B3.1	96.452.10C3.1
2	96.452.20B3.1	96.452.20C3.1
3	96.452.30B3.1	96.452.30C3.1
4	96.452.40B3.1	96.452.40C3.1
5	96.452.50B3.1	96.452.50C3.1
6	96.452.60B3.1	96.452.60C3.1
7	96.452.70B3.1	96.452.70C3.1
8	96.452.80B3.1	96.452.80C3.1
1	96.452.10B3.6	96.452.10C3.6
2	96.452.20B3.6	96.452.20C3.6
3	96.452.30B3.6	96.452.30C3.6
4	96.452.40B3.6	96.452.40C3.6
5	96.452.50B3.6	96.452.50C3.6
6	96.452.60B3.6	96.452.60C3.6
7	96.452.70B3.6	96.452.70C3.6
8		

RST2015, CABLE ASSEMBLY, 5-POLE

1.5 mm², 16 A



TECHNICAL DATA

Rated current:	16 A	Preparation of conductor ends:	ultrasonically compressed wire ends
Degree of protection (IP):	IP66/68 (3m;2h) /IP69	type of construction:	Cable screw gland
Lockable:	self-locking (unlocking by tool)	Additional technical data, see facts & data.	

connection cable, male - free end

Cable color: black
 Color of coding: ■ black
 Application: 250/400 V with PE
 Marking of poles: 1, 2, 3, N, PE

Cable color: black
 Color of coding: ■ turquoise blue
 Application: 250 V with PE
 Marking of poles: D1, D2, L, PE, N

Length (m)	H07RN-F	H07RN-F - Enhanced Version	H05VV-F
	halogenated	halogen free	halogenated Eca
	Art.No.	Art.No.	Art.No.
1	96.452.1034.1	96.452.1054.1	96.452.1004.1
2	96.452.2034.1	96.452.2054.1	96.452.2004.1
3	96.452.3034.1	96.452.3054.1	96.452.3004.1
4	96.452.4034.1	96.452.4054.1	96.452.4004.1
5	96.452.5034.1	96.452.5054.1	96.452.5004.1
6	96.452.6034.1	96.452.6054.1	96.452.6004.1
7	96.452.7034.1	96.452.7054.1	96.452.7004.1
8	96.452.8034.1	96.452.8054.1	96.452.8004.1
	Art.No.	Art.No.	Art.No.
1	96.452.1034.6		96.452.1004.6
2	96.452.2034.6		96.452.2004.6
3	96.452.3034.6		96.452.3004.6
4	96.452.4034.6		96.452.4004.6
5	96.452.5034.6		96.452.5004.6
6	96.452.6034.6		96.452.6004.6
7	96.452.7034.6		96.452.7004.6
8	96.452.8034.6		96.452.8004.6

connection cable, male - free end

Cable color: black
 Color of coding: ■ black
 Application: 250/400 V with PE
 Marking of poles: 1, 2, 3, N, PE

Cable color: black
 Color of coding: ■ turquoise blue
 Application: 250 V with PE
 Marking of poles: D1, D2, L, PE, N

Length (m)	H05Z1Z1-F	H05Z1Z1-F
	halogen free B2ca s1 d1 a1	halogen free Cca s1 d1 a1
	Art.No.	Art.No.
1	96.452.10B4.1	96.452.10C4.1
2	96.452.20B4.1	96.452.20C4.1
3	96.452.30B4.1	96.452.30C4.1
4	96.452.40B4.1	96.452.40C4.1
5	96.452.50B4.1	96.452.50C4.1
6	96.452.60B4.1	96.452.60C4.1
7	96.452.70B4.1	96.452.70C4.1
8	96.452.80B4.1	96.452.80C4.1
	Art.No.	Art.No.
1	96.452.10B4.6	96.452.10C4.6
2	96.452.20B4.6	96.452.20C4.6
3	96.452.30B4.6	96.452.30C4.6
4	96.452.40B4.6	96.452.40C4.6
5	96.452.50B4.6	96.452.50C4.6
6		
7	96.452.70B4.6	96.452.70C4.6
8	96.452.80B4.6	96.452.80C4.6

RST® CLASSIC

RST20I5, CABLE ASSEMBLY, 5-POLE

2.5 mm², 20 A



TECHNICAL DATA

Rated current: 20 A
 Degree of protection (IP): IP66/68 (3m;2h) /IP69
 Lockable: self-locking (unlocking by tool)
 type of construction: Cable screw gland
 Additional technical data, see facts & data.

connecting cable, female - male

Cable color: black
 Color of coding: ■ black
 Application: 250/400 V with PE
 Marking of poles: 1, 2, 3, N, PE

Cable color: black
 Color of coding: ■ black
 Application: 250 V with PE
 Marking of poles: D1, D2, L, PE, N

Length (m)	H07RN-F	H07RN-F - Enhanced Version	H05VV-F
	halogenated	halogen free	halogenated Eca
	Art.No.	Art.No.	Art.No.
1	96.453.1030.1	96.453.1050.1	96.453.1000.1
2	96.453.2030.1	96.453.2050.1	96.453.2000.1
3	96.453.3030.1	96.453.3050.1	96.453.3000.1
4	96.453.4030.1	96.453.4050.1	96.453.4000.1
5	96.453.5030.1	96.453.5050.1	96.453.5000.1
6	96.453.6030.1	96.453.6050.1	96.453.6000.1
7	96.453.7030.1	96.453.7050.1	96.453.7000.1
8	96.453.8030.1	96.453.8050.1	96.453.8000.1
1	96.453.1030.6		96.453.1000.6
2	96.453.2030.6		96.453.2000.6
3	96.453.3030.6		96.453.3000.6
4	96.453.4030.6		96.453.4000.6
5	96.453.5030.6		96.453.5000.6
6	96.453.6030.6		96.453.6000.6
7	96.453.7030.6		96.453.7000.6
8	96.453.8030.6		96.453.8000.6



connecting cable, female - male

Cable color: black
 Color of coding: ■ black
 Application: 250/400 V with PE
 Marking of poles: 1, 2, 3, N, PE

Cable color: black
 Color of coding: ■ black
 Application: 250 V with PE
 Marking of poles: D1, D2, L, PE, N

Length (m)	H05Z1Z1-F	H05Z1Z1-F
	halogen free B2ca s1 d1 a1	halogen free Cca s1 d1 a1
	Art.No.	Art.No.
1	96.453.10B0.1	96.453.10C0.1
2	96.453.20B0.1	96.453.20C0.1
3	96.453.30B0.1	96.453.30C0.1
4	96.453.40B0.1	96.453.40C0.1
5	96.453.50B0.1	96.453.50C0.1
6	96.453.60B0.1	96.453.60C0.1
7	96.453.70B0.1	96.453.70C0.1
8	96.453.80B0.1	96.453.80C0.1
1	96.453.10B0.6	96.453.10C0.6
2	96.453.20B0.6	96.453.20C0.6
3	96.453.30B0.6	96.453.30C0.6
4	96.453.40B0.6	96.453.40C0.6
5	96.453.50B0.6	96.453.50C0.6
6	96.453.60B0.6	96.453.60C0.6
7	96.453.70B0.6	96.453.70C0.6
8	96.453.80B0.6	96.453.80C0.6

RST20I5, CABLE ASSEMBLY, 5-POLE

2.5 mm², 20 A



TECHNICAL DATA

Rated current:	20 A	Preparation of conductor ends:	ultrasonically compressed wire ends
Degree of protection (IP):	IP66/68 (3m;2h) /IP69	type of construction:	Cable screw gland
Lockable:	self-locking (unlocking by tool)	Additional technical data, see facts & data.	

connection cable, female - free end

Cable color: black
 Color of coding: black
 Application: 250/400 V with PE
 Marking of poles: 1, 2, 3, N, PE

Cable color: black
 Color of coding: turquoise blue
 Application: 250 V with PE
 Marking of poles: D1, D2, L, PE, N

Length (m)	H07RN-F	H07RN-F - Enhanced Version	H05VV-F
	halogenated	halogen free	halogenated Eca
	Art.No.	Art.No.	Art.No.
1	96.453.1033.1	96.453.1053.1	96.453.1003.1
2	96.453.2033.1	96.453.2053.1	96.453.2003.1
3	96.453.3033.1	96.453.3053.1	96.453.3003.1
4	96.453.4033.1	96.453.4053.1	96.453.4003.1
5	96.453.5033.1	96.453.5053.1	96.453.5003.1
6	96.453.6033.1	96.453.6053.1	96.453.6003.1
7	96.453.7033.1	96.453.7053.1	96.453.7003.1
8	96.453.8033.1	96.453.8053.1	96.453.8003.1
1	96.453.1033.6		96.453.1003.6
2	96.453.2033.6		96.453.2003.6
3	96.453.3033.6		96.453.3003.6
4	96.453.4033.6		96.453.4003.6
5	96.453.5033.6		96.453.5003.6
6	96.453.6033.6		96.453.6003.6
7	96.453.7033.6		96.453.7003.6
8	96.453.8033.6		96.453.8003.6

connection cable, female - free end

Cable color: black
 Color of coding: black
 Application: 250/400 V with PE
 Marking of poles: 1, 2, 3, N, PE

Cable color: black
 Color of coding: turquoise blue
 Application: 250 V with PE
 Marking of poles: D1, D2, L, PE, N

Length (m)	H05Z1Z1-F	H05Z1Z1-F
	halogen free B2ca s1 d1 a1	halogen free Cca s1 d1 a1
	Art.No.	Art.No.
1	96.453.10B3.1	96.453.10C3.1
2	96.453.20B3.1	96.453.20C3.1
3	96.453.30B3.1	96.453.30C3.1
4	96.453.40B3.1	96.453.40C3.1
5	96.453.50B3.1	96.453.50C3.1
6	96.453.60B3.1	96.453.60C3.1
7	96.453.70B3.1	96.453.70C3.1
8	96.453.80B3.1	96.453.80C3.1
1	96.453.10B3.6	96.453.10C3.6
2	96.453.20B3.6	96.453.20C3.6
3	96.453.30B3.6	96.453.30C3.6
4	96.453.40B3.6	96.453.40C3.6
5	96.453.50B3.6	96.453.50C3.6
6	96.453.60B3.6	96.453.60C3.6
7		
8	96.453.80B3.6	96.453.80C3.6

RST® CLASSIC

RST2015, CABLE ASSEMBLY, 5-POLE

2.5 mm², 20 A



TECHNICAL DATA

Rated current:	20 A	Preparation of conductor ends:	ultrasonically compressed wire ends
Degree of protection (IP):	IP66/68 (3m;2h) /IP69	type of construction:	Cable screw gland
Lockable:	self-locking (unlocking by tool)	Additional technical data, see facts & data.	

connection cable, male - free end

Cable color: black
 Color of coding: ■ black
 Application: 250/400 V with PE
 Marking of poles: 1, 2, 3, N, PE

Cable color: black
 Color of coding: ■ turquoise blue
 Application: 250 V with PE
 Marking of poles: D1, D2, L, PE, N

Length (m)	H07RN-F	H07RN-F - Enhanced Version	H05VV-F
	halogenated	halogen free	halogenated Eca
	Art.No.	Art.No.	Art.No.
1	96.453.1034.1	96.453.1054.1	96.453.1004.1
2	96.453.2034.1	96.453.2054.1	96.453.2004.1
3	96.453.3034.1	96.453.3054.1	96.453.3004.1
4	96.453.4034.1	96.453.4054.1	96.453.4004.1
5	96.453.5034.1	96.453.5054.1	96.453.5004.1
6	96.453.6034.1	96.453.6054.1	96.453.6004.1
7	96.453.7034.1	96.453.7054.1	96.453.7004.1
8	96.453.8034.1	96.453.8054.1	96.453.8004.1
1	96.453.1034.6		96.453.1004.6
2	96.453.2034.6		96.453.2004.6
3	96.453.3034.6		96.453.3004.6
4	96.453.4034.6		96.453.4004.6
5	96.453.5034.6		96.453.5004.6
6	96.453.6034.6		96.453.6004.6
7	96.453.7034.6		96.453.7004.6
8	96.453.8034.6		96.453.8004.6

connection cable, male - free end

Cable color: black
 Color of coding: ■ black
 Application: 250/400 V with PE
 Marking of poles: 1, 2, 3, N, PE

Cable color: black
 Color of coding: ■ turquoise blue
 Application: 250 V with PE
 Marking of poles: D1, D2, L, PE, N

Length (m)	H05Z1Z1-F	H05Z1Z1-F
	halogen free B2ca s1 d1 a1	halogen free Cca s1 d1 a1
	Art.No.	Art.No.
1	96.453.10B4.1	96.453.10C4.1
2	96.453.20B4.1	96.453.20C4.1
3	96.453.30B4.1	96.453.30C4.1
4	96.453.40B4.1	96.453.40C4.1
5	96.453.50B4.1	96.453.50C4.1
6	96.453.60B4.1	96.453.60C4.1
7	96.453.70B4.1	96.453.70C4.1
8	96.453.80B4.1	96.453.80C4.1
1	96.453.10B4.6	96.453.10C4.6
2	96.453.20B4.6	96.453.20C4.6
3	96.453.30B4.6	96.453.30C4.6
4	96.453.40B4.6	96.453.40C4.6
5	96.453.50B4.6	96.453.50C4.6
6		
7		
8		

RST2015, CABLE ASSEMBLY, 5-POLE

4 mm², 20 A



TECHNICAL DATA

Rated current: 20 A
 Degree of protection (IP): IP66/68 (3m;2h) /IP69
 Lockable: self-locking (unlocking by tool)

type of construction: Cable screw gland
 Additional technical data, see facts & data.

connecting cable, female - male

Cable color: black
 Color of coding: black
 Application: 250/400 V with PE
 Marking of poles: 1, 2, 3, N, PE

Cable color: black
 Color of coding: turquoise blue
 Application: 250 V with PE
 Marking of poles: D1, D2, L, PE, N

Length (m)	H07RN-F halogenated	H05VV-F halogenated
	Art.No.	Art.No.
	■ black	■ black
1	96.454.1030.1	96.454.1000.1
2	96.454.2030.1	96.454.2000.1
3	96.454.3030.1	96.454.3000.1
4	96.454.4030.1	96.454.4000.1
5	96.454.5030.1	96.454.5000.1
6	96.454.6030.1	96.454.6000.1
7	96.454.7030.1	96.454.7000.1
8	96.454.8030.1	96.454.8000.1
	■ black	■ black
1	96.454.1030.6	96.454.1000.6
2	96.454.2030.6	96.454.2000.6
3	96.454.3030.6	96.454.3000.6
4	96.454.4030.6	96.454.4000.6
5	96.454.5030.6	96.454.5000.6
6	96.454.6030.6	96.454.6000.6
7	96.454.7030.6	96.454.7000.6
8	96.454.8030.6	96.454.8000.6



TECHNICAL DATA

Rated current: 20 A
 Degree of protection (IP): IP66/68 (3m;2h) /IP69
 Lockable: self-locking (unlocking by tool)

Preparation of conductor ends: ultrasonically compressed wire ends
 type of construction: Cable screw gland
 Additional technical data, see facts & data.

connection cable, female - free end

Cable color: black
 Color of coding: black
 Application: 250/400 V with PE
 Marking of poles: 1, 2, 3, N, PE

Cable color: black
 Color of coding: turquoise blue
 Application: 250 V with PE
 Marking of poles: D1, D2, L, PE, N

Length (m)	H07RN-F halogenated	H05VV-F halogenated
	Art.No.	Art.No.
	■ black	■ black
1	96.454.1033.1	96.454.1003.1
2	96.454.2033.1	96.454.2003.1
3	96.454.3033.1	96.454.3003.1
4	96.454.4033.1	96.454.4003.1
5	96.454.5033.1	96.454.5003.1
6	96.454.6033.1	96.454.6003.1
7	96.454.7033.1	96.454.7003.1
8	96.454.8033.1	96.454.8003.1
	■ black	■ black
1	96.454.1033.6	96.454.1003.6
2	96.454.2033.6	96.454.2003.6
3	96.454.3033.6	96.454.3003.6
4	96.454.4033.6	96.454.4003.6
5	96.454.5033.6	96.454.5003.6
6	96.454.6033.6	96.454.6003.6
7	96.454.7033.6	96.454.7003.6
8	96.454.8033.6	96.454.8003.6

RST20I5, CABLE ASSEMBLY, 5-POLE

4 mm², 20 A



TECHNICAL DATA

Rated current:	20 A	Preparation of conductor ends:	ultrasonically compressed wire ends
Degree of protection (IP):	IP66/68 (3m;2h) /IP69	type of construction:	Cable screw gland
Lockable:	self-locking (unlocking by tool)	Additional technical data, see facts & data.	

connection cable, male - free end

Cable color: ■ black
 Color of coding: ■ black
 Application: 250/400 V with PE
 Marking of poles: 1, 2, 3, N, PE

Cable color: ■ black
 Color of coding: ■ black
 Application: 250 V with PE
 Marking of poles: D1, D2, L, PE, N

Length (m)	H07RN-F halogenated	H05VV-F halogenated
	Art.No.	Art.No.
	■ black	■ black
1	96.454.1034.1	96.454.1004.1
2	96.454.2034.1	96.454.2004.1
3	96.454.3034.1	96.454.3004.1
4	96.454.4034.1	96.454.4004.1
5	96.454.5034.1	96.454.5004.1
6	96.454.6034.1	96.454.6004.1
7	96.454.7034.1	96.454.7004.1
8	96.454.8034.1	96.454.8004.1
	■ black	■ black
1	96.454.1034.6	96.454.1004.6
2	96.454.2034.6	96.454.2004.6
3	96.454.3034.6	96.454.3004.6
4	96.454.4034.6	96.454.4004.6
5	96.454.5034.6	96.454.5004.6
6	96.454.6034.6	96.454.6004.6
7	96.454.7034.6	96.454.7004.6
8	96.454.8034.6	96.454.8004.6

RST20I6, CONNECTOR, 6-POLE

SCREW CONNECTION

TECHNICAL DATA

Rated current:	20 A	Cross section fine-stranded:	0,2 mm ² - 1,5 mm ²
Degree of protection (IP):	IP66/68 (3m;2h) /IP69	Connection cross section solid:	0,2 mm ² - 1,5 mm ²
Terminations per pole:	1	Additional technical data, see facts & data.	
Lockable:	self-locking (unlocking by tool)		

female



straight, for cables Ø 6-10 mm, with longitudinal sealing

Color of coding	Application	Marking of poles	Art.No.
■ turquoise blue	250/400 V with PE	L, N, PE, 1, 2, Ls	9L.061.4053.6

female



male



straight, for cables Ø 6-10 mm

Color of coding	Application	Marking of poles	Art.No.	Art.No.
■ turquoise blue	250/400 V with PE	L, N, PE, 1, 2, Ls	96.061.4053.6	96.062.4053.6

female



straight, for cables Ø 10-14 mm, with longitudinal sealing

Color of coding	Application	Marking of poles	Art.No.
■ turquoise blue	250/400 V with PE	L, N, PE, 1, 2, Ls	9L.061.4153.6

female



male



straight, for cables Ø 10-14 mm

Color of coding	Application	Marking of poles	Art.No.	Art.No.
■ turquoise blue	250/400 V with PE	L, N, PE, 1, 2, Ls	96.061.4153.6	96.062.4153.6

TECHNICAL DATA

Rated current:	20 A	Cross section fine-stranded:	0,2 mm ² - 2,5 mm ²
Degree of protection (IP):	IP66/68 (3m;2h) /IP69	Connection cross section solid:	0,2 mm ² - 1,5 mm ²
Terminations per pole:	1	Additional technical data, see facts & data.	
Lockable:	self-locking (unlocking by tool)		

female



straight, for cables Ø 13-18 mm, with longitudinal sealing

Color of coding	Application	Marking of poles	Art.No.
■ turquoise blue	250/400 V with PE	L, N, PE, 1, 2, Ls	9L.061.4553.6

RST2016, CONNECTOR, 6-POLE

SCREW CONNECTION

TECHNICAL DATA

Rated current:	20 A	Cross section fine-stranded:	0,2 mm ² - 2,5 mm ²
Degree of protection (IP):	IP66/68 (3m;2h) /IP69	Connection cross section solid:	0,2 mm ² - 1,5 mm ²
Terminations per pole:	1	Additional technical data, see facts & data.	
Lockable:	self-locking (unlocking by tool)		

female

male



straight, for cables Ø 13-18 mm

female

male

Color of coding	Application	Marking of poles	Art.No.	Art.No.
■ turquoise blue	250/400 V with PE	L, N, PE, 1, 2, Ls	96.061.4553.6	96.062.4553.6

female



angled 90°, for cables Ø 6-10 mm, with longitudinal sealing

female

Color of coding	Application	Marking of poles	Art.No.
■ turquoise blue	250/400 V with PE	L, N, PE, 1, 2, Ls	9L.063.4053.6

female

male



angled 90°, for cables Ø 6-10 mm

female

male

Color of coding	Application	Marking of poles	Art.No.	Art.No.
■ turquoise blue	250/400 V with PE	L, N, PE, 1, 2, Ls	96.063.4053.6	96.064.4053.6

female



angled 90°, for cables Ø 10-14 mm, with longitudinal sealing

female

Color of coding	Application	Marking of poles	Art.No.
■ turquoise blue	250/400 V with PE	L, N, PE, 1, 2, Ls	9L.063.4153.6

female

male



angled 90°, for cables Ø 10-14 mm

female

male

Color of coding	Application	Marking of poles	Art.No.	Art.No.
■ turquoise blue	250/400 V with PE	L, N, PE, 1, 2, Ls	96.063.4153.6	96.064.4153.6

RST20I6, CONNECTOR, 6-POLE

SCREW CONNECTION

TECHNICAL DATA

Rated current:	20 A	Cross section fine-stranded:	0,2 mm ² - 0,75 mm ²
Degree of protection (IP):	IP66/68 (3m;2h) /IP69	Connection cross section solid:	0,2 mm ² - 0,75 mm ²
Terminations per pole:	1	Additional technical data, see facts & data.	
Lockable:	self-locking (unlocking by tool)		

female



splitter connector, for cables Ø 6-10 mm

female

Color of coding	Application	Marking of poles	Art.No.
■ turquoise blue	250/400 V with PE	L, N, PE, 1, 2, Ls	96.061.4253.6

female



splitter connector, for cables Ø 10-14 mm

female

Color of coding	Application	Marking of poles	Art.No.
■ turquoise blue	250/400 V with PE	L, N, PE, 1, 2, Ls	96.061.4353.6

RST20I6, CONNECTOR, 6-POLE

CRIMP

TECHNICAL DATA

Rated current:	20 A	Lockable:	self-locking (unlocking by tool)
Degree of protection (IP):	IP66/68 (3m;2h) /IP69	Cross section fine-stranded:	0,75 mm ² - 2,5 mm ²
Terminations per pole:	1	Additional technical data, see facts & data.	

female



straight, for cables Ø 6-10 mm, with longitudinal sealing

female

Color of coding	Application	Marking of poles	Art.No.
■ turquoise blue	250/400 V with PE	L, N, PE, 1, 2, Ls	9L.161.0053.6

female



male



straight, for cables Ø 6-10 mm

female

male

Color of coding	Application	Marking of poles	Art.No.	Art.No.
■ turquoise blue	250/400 V with PE	L, N, PE, 1, 2, Ls	96.161.0053.6	96.162.0053.6

female



straight, for cables Ø 10-14 mm, with longitudinal sealing

female

Color of coding	Application	Marking of poles	Art.No.
■ turquoise blue	250/400 V with PE	L, N, PE, 1, 2, Ls	9L.161.0153.6

female



male



straight, for cables Ø 10-14 mm

female

male

Color of coding	Application	Marking of poles	Art.No.	Art.No.
■ turquoise blue	250/400 V with PE	L, N, PE, 1, 2, Ls	96.161.0153.6	96.162.0153.6

female



straight, for cables Ø 13-18 mm, with longitudinal sealing

female

Color of coding	Application	Marking of poles	Art.No.
■ turquoise blue	250/400 V with PE	L, N, PE, 1, 2, Ls	9L.161.0553.6

female



male



straight, for cables Ø 13-18 mm

female

male

Color of coding	Application	Marking of poles	Art.No.	Art.No.
■ turquoise blue	250/400 V with PE	L, N, PE, 1, 2, Ls	96.161.0553.6	96.162.0553.6

RST20I6, CONNECTOR, 6-POLE

CRIMP

TECHNICAL DATA

Rated current:	20 A	Lockable:	self-locking (unlocking by tool)
Degree of protection (IP):	IP66/68 (3m;2h) /IP69	Cross section fine-stranded:	0,75 mm ² - 2,5 mm ²
Terminations per pole:	1	Additional technical data, see facts & data.	

female



angled 90°, for cables Ø 6-10 mm, with longitudinal sealing female

Color of coding	Application	Marking of poles	Art.No.
■ turquoise blue	250/400 V with PE	L, N, PE, 1, 2, Ls	9L.163.0053.6

female

male



angled 90°, for cables Ø 6-10 mm female male

Color of coding	Application	Marking of poles	Art.No.	Art.No.
■ turquoise blue	250/400 V with PE	L, N, PE, 1, 2, Ls	96.163.0053.6	96.164.0053.6

female



angled 90°, for cables Ø 10-14 mm, with longitudinal sealing female

Color of coding	Application	Marking of poles	Art.No.
■ turquoise blue	250/400 V with PE	L, N, PE, 1, 2, Ls	9L.163.0153.6

female

male



angled 90°, for cables Ø 10-14 mm female male

Color of coding	Application	Marking of poles	Art.No.	Art.No.
■ turquoise blue	250/400 V with PE	L, N, PE, 1, 2, Ls	96.163.0153.6	96.164.0153.6

RST20I6, DEVICE CONNECTOR, M16, 6-POLE

SCREW CONNECTION

TECHNICAL DATA

Rated current:	20 A	Cross section fine-stranded:	0,2 mm ² - 2,5 mm ²
Degree of protection (IP):	IP66/68 (3m;2h) /IP69	Connection cross section solid:	0,2 mm ² - 2,5 mm ²
Terminations per pole:	1	Additional technical data, see facts & data.	
Lockable:	self-locking (unlocking by tool)		

female

male



modular, straight, with longitudinal sealing

female

male

Color of coding	Application	Marking of poles	Art.No.	Art.No.
■ turquoise blue	250/400 V with PE	L, N, PE, 1, 2, Ls	9L.061.6153.6	9L.062.6153.6

female

male



modular, straight

female

male

Color of coding	Application	Marking of poles	Art.No.	Art.No.
■ turquoise blue	250/400 V with PE	L, N, PE, 1, 2, Ls	96.061.6153.6	96.062.6153.6

female

male



modular, angled 7°

female

male

Color of coding	Application	Marking of poles	Art.No.	Art.No.
■ turquoise blue	250/400 V with PE	L, N, PE, 1, 2, Ls	96.065.6153.6	96.066.6153.6

CRIMP

TECHNICAL DATA

Rated current:	20 A	Lockable:	self-locking (unlocking by tool)
Degree of protection (IP):	IP66/68 (3m;2h) /IP69	Cross section fine-stranded:	0,75 mm ² - 2,5 mm ²
Terminations per pole:	1	Additional technical data, see facts & data.	

female

male



modular, straight, with longitudinal sealing

female

male

Color of coding	Application	Marking of poles	Art.No.	Art.No.
■ turquoise blue	250/400 V with PE	L, N, PE, 1, 2, Ls	9L.161.2153.6	9L.162.2153.6

female

male



modular, straight

female

male

Color of coding	Application	Marking of poles	Art.No.	Art.No.
■ turquoise blue	250/400 V with PE	L, N, PE, 1, 2, Ls	96.161.2153.6	96.162.2153.6

RST20I6, DEVICE CONNECTOR, M16, 6-POLE

CRIMP

TECHNICAL DATA

Rated current:	20 A	Lockable:	self-locking (unlocking by tool)
Degree of protection (IP):	IP66/68 (3m;2h) /IP69	Cross section fine-stranded:	0,75 mm ² - 2,5 mm ²
Terminations per pole:	1	Additional technical data, see facts & data.	

female



male



modular, angled 7°

Color of coding	Application	Marking of poles	female Art.No.	male Art.No.
-----------------	-------------	------------------	----------------	--------------

■ turquoise blue	250/400 V with PE	L, N, PE, 1, 2, Ls	96.165.2153.6	96.166.2153.6
------------------	-------------------	--------------------	---------------	---------------

RST20I6, DEVICE CONNECTOR, M20, 6-POLE

SCREW CONNECTION

TECHNICAL DATA

Rated current:	20 A	Cross section fine-stranded:	0,2 mm ² - 2,5 mm ²
Degree of protection (IP):	IP66/68 (3m;2h) /IP69	Connection cross section solid:	0,2 mm ² - 2,5 mm ²
Terminations per pole:	1	Additional technical data, see facts & data.	
Lockable:	self-locking (unlocking by tool)		

female

male



modular, straight, with longitudinal sealing

female

male

Color of coding	Application	Marking of poles	Art.No.	Art.No.
■ turquoise blue	250/400 V with PE	L, N, PE, 1, 2, Ls	9L.061.6053.6	9L.062.6053.6

female

male



modular, straight

female

male

Color of coding	Application	Marking of poles	Art.No.	Art.No.
■ turquoise blue	250/400 V with PE	L, N, PE, 1, 2, Ls	96.061.6053.6	96.064.6053.6

female

male



modular, angled 90°

female

male

Color of coding	Application	Marking of poles	Art.No.	Art.No.
■ turquoise blue	250/400 V with PE	L, N, PE, 1, 2, Ls	96.063.6053.6	96.064.6053.6

CRIMP

TECHNICAL DATA

Rated current:	20 A	Lockable:	self-locking (unlocking by tool)
Degree of protection (IP):	IP66/68 (3m;2h) /IP69	Cross section fine-stranded:	0,75 mm ² - 2,5 mm ²
Terminations per pole:	1	Additional technical data, see facts & data.	

female

male



modular, straight, with longitudinal sealing

female

male

Color of coding	Application	Marking of poles	Art.No.	Art.No.
■ turquoise blue	250/400 V with PE	L, N, PE, 1, 2, Ls	9L.161.2053.6	9L.162.2053.6

female

male



modular, straight

female

male

Color of coding	Application	Marking of poles	Art.No.	Art.No.
■ turquoise blue	250/400 V with PE	L, N, PE, 1, 2, Ls	96.161.2053.6	96.162.2053.6

RST20I6, DEVICE CONNECTOR, M20, 6-POLE

CRIMP

TECHNICAL DATA

Rated current:	20 A	Lockable:	self-locking (unlocking by tool)
Degree of protection (IP):	IP66/68 (3m;2h) /IP69	Cross section fine-stranded:	0,75 mm ² - 2,5 mm ²
Terminations per pole:	1	Additional technical data, see facts & data.	

female



male



modular, angled 90°

Color of coding	Application	Marking of poles	female Art.No.	male Art.No.
■ turquoise blue	250/400 V with PE	L, N, PE, 1, 2, Ls	96.163.2053.6	96.164.2053.6

RST20I6, DEVICE CONNECTOR, M25, 6-POLE

SCREW CONNECTION

TECHNICAL DATA

Rated current:	20 A	Cross section fine-stranded:	0,2 mm ² - 2,5 mm ²
Degree of protection (IP):	IP66/68 (3m;2h) /IP69	Connection cross section solid:	0,2 mm ² - 2,5 mm ²
Terminations per pole:	1	Additional technical data, see facts & data.	
Lockable:	self-locking (unlocking by tool)		

female

male



modular, straight, with longitudinal sealing

female

male

Color of coding	Application	Marking of poles	Art.No.	Art.No.
■ turquoise blue	250/400 V with PE	L, N, PE, 1, 2, Ls	9L.061.6253.6	9L.062.6253.6

female

male



modular, straight

female

male

Color of coding	Application	Marking of poles	Art.No.	Art.No.
■ turquoise blue	250/400 V with PE	L, N, PE, 1, 2, Ls	96.061.6253.6	96.062.6253.6

female

male



modular, angled 90°

female

male

Color of coding	Application	Marking of poles	Art.No.	Art.No.
■ turquoise blue	250/400 V with PE	L, N, PE, 1, 2, Ls	96.063.6253.6	96.064.6253.6

CRIMP

TECHNICAL DATA

Rated current:	20 A	Lockable:	self-locking (unlocking by tool)
Degree of protection (IP):	IP66/68 (3m;2h) /IP69	Cross section fine-stranded:	0,75 mm ² - 2,5 mm ²
Terminations per pole:	1	Additional technical data, see facts & data.	

female

male



modular, straight, with longitudinal sealing

female

male

Color of coding	Application	Marking of poles	Art.No.	Art.No.
■ turquoise blue	250/400 V with PE	L, N, PE, 1, 2, Ls	9L.161.2253.6	9L.162.2253.6

female

male



modular, straight

female

male

Color of coding	Application	Marking of poles	Art.No.	Art.No.
■ turquoise blue	250/400 V with PE	L, N, PE, 1, 2, Ls	96.161.2253.6	96.162.2253.6

RST20I6, DEVICE CONNECTOR, M25, 6-POLE

CRIMP

TECHNICAL DATA

Rated current:	20 A	Lockable:	self-locking (unlocking by tool)
Degree of protection (IP):	IP66/68 (3m;2h) /IP69	Cross section fine-stranded:	0,75 mm ² - 2,5 mm ²
Terminations per pole:	1	Additional technical data, see facts & data.	

female

male



modular, angled 90°

Color of coding	Application	Marking of poles	female Art.No.	male Art.No.
■ turquoise blue	250/400 V with PE	L, N, PE, 1, 2, Ls	96.163.2253.6	96.164.2253.6

RST20I6, DEVICE CONNECTOR, M32, 6-POLE

SCREW CONNECTION

TECHNICAL DATA

Rated current:	20 A	Cross section fine-stranded:	0,2 mm ² - 2,5 mm ²
Degree of protection (IP):	IP66/68 (3m;2h) /IP69	Connection cross section solid:	0,2 mm ² - 2,5 mm ²
Terminations per pole:	1	Additional technical data, see facts & data.	
Lockable:	self-locking (unlocking by tool)		

female

male



modular, straight, with longitudinal sealing

female

male

Color of coding	Application	Marking of poles	Art.No.	Art.No.
■ turquoise blue	250/400 V with PE	L, N, PE, 1, 2, Ls	9L.061.6353.6	9L.062.6353.6

female

male



modular, straight

female

male

Color of coding	Application	Marking of poles	Art.No.	Art.No.
■ turquoise blue	250/400 V with PE	L, N, PE, 1, 2, Ls	96.061.6353.6	96.062.6353.6

CRIMP

TECHNICAL DATA

Rated current:	20 A	Lockable:	self-locking (unlocking by tool)
Degree of protection (IP):	IP66/68 (3m;2h) /IP69	Cross section fine-stranded:	0,75 mm ² - 2,5 mm ²
Terminations per pole:	1	Additional technical data, see facts & data.	

female

male



modular, straight, with longitudinal sealing

female

male

Color of coding	Application	Marking of poles	Art.No.	Art.No.
■ turquoise blue	250/400 V with PE	L, N, PE, 1, 2, Ls	9L.161.2353.6	9L.162.2353.6

female

male



modular, straight

female

male

Color of coding	Application	Marking of poles	Art.No.	Art.No.
■ turquoise blue	250/400 V with PE	L, N, PE, 1, 2, Ls	96.161.2353.6	96.162.2353.6

RST20I7, CONNECTOR, 7-POLE

SCREW CONNECTION

TECHNICAL DATA

Rated current:	20 A	Cross section fine-stranded:	0,2 mm ² - 1,5 mm ²
Degree of protection (IP):	IP66/68 (3m;2h) /IP69	Connection cross section solid:	0,2 mm ² - 1,5 mm ²
Terminations per pole:	1	Additional technical data, see facts & data.	
Lockable:	self-locking (unlocking by tool)		

female



straight, for cables Ø 6-10 mm, with longitudinal sealing

Color of coding	Application	Marking of poles	Art.No.
■ black	250/400 V with PE	1, 2, 3, 4/N, 5, 6, PE	9L.071.4053.1
□ light grey	250/400 V with PE	1, 2, 3, 4/N, 5, 6, PE	9L.071.4053.0
■ light blue	250/400 V	1, 2, 3, 4/N, 5, 6, 7	9L.071.4053.9
■ turquoise blue	250/400 V with PE	L, N, PE, 1, 2, 3, 4	9L.071.4053.6

female



male



straight, for cables Ø 6-10 mm

Color of coding	Application	Marking of poles	Art.No.	Art.No.
■ black	250/400 V with PE	1, 2, 3, 4/N, 5, 6, PE	96.071.4053.1	96.072.4053.1
□ light grey	250/400 V with PE	1, 2, 3, 4/N, 5, 6, PE	96.071.4053.0	96.072.4053.0
■ light blue	250/400 V	1, 2, 3, 4/N, 5, 6, 7	96.071.4053.9	96.072.4053.9
■ turquoise blue	250/400 V with PE	L, N, PE, 1, 2, 3, 4	96.071.4053.6	96.072.4053.6

female



straight, for cables Ø 10-14 mm, with longitudinal sealing

Color of coding	Application	Marking of poles	Art.No.
■ black	250/400 V with PE	1, 2, 3, 4/N, 5, 6, PE	9L.071.4153.1
□ light grey	250/400 V with PE	1, 2, 3, 4/N, 5, 6, PE	9L.071.4153.0
■ light blue	250/400 V	1, 2, 3, 4/N, 5, 6, 7	9L.071.4153.9
■ turquoise blue	250/400 V with PE	L, N, PE, 1, 2, 3, 4	9L.071.4153.6

female



male



straight, for cables Ø 10-14 mm

Color of coding	Application	Marking of poles	Art.No.	Art.No.
■ black	250/400 V with PE	1, 2, 3, 4/N, 5, 6, PE	96.071.4153.1	96.072.4153.1
□ light grey	250/400 V with PE	1, 2, 3, 4/N, 5, 6, PE	96.071.4153.0	96.072.4153.0
■ light blue	250/400 V	1, 2, 3, 4/N, 5, 6, 7	96.071.4153.9	96.072.4153.9
■ turquoise blue	250/400 V with PE	L, N, PE, 1, 2, 3, 4	96.071.4153.6	96.072.4153.6

TECHNICAL DATA

Rated current:	20 A	Cross section fine-stranded:	0,2 mm ² - 2,5 mm ²
Degree of protection (IP):	IP66/68 (3m;2h) /IP69	Connection cross section solid:	0,2 mm ² - 1,5 mm ²
Terminations per pole:	1	Additional technical data, see facts & data.	
Lockable:	self-locking (unlocking by tool)		

female



straight, for cables Ø 13-18 mm, with longitudinal sealing

Color of coding	Application	Marking of poles	Art.No.
■ black	250/400 V with PE	1, 2, 3, 4/N, 5, 6, PE	9L.071.4553.1
□ light grey	250/400 V with PE	1, 2, 3, 4/N, 5, 6, PE	9L.071.4553.0
■ light blue	250/400 V	1, 2, 3, 4/N, 5, 6, 7	9L.071.4553.9
■ turquoise blue	250/400 V with PE	L, N, PE, 1, 2, 3, 4	9L.071.4553.6

RST2017, CONNECTOR, 7-POLE

SCREW CONNECTION

TECHNICAL DATA

Rated current:	20 A	Cross section fine-stranded:	0,2 mm ² - 2,5 mm ²
Degree of protection (IP):	IP66/68 (3m;2h) /IP69	Connection cross section solid:	0,2 mm ² - 1,5 mm ²
Terminations per pole:	1	Additional technical data, see facts & data.	
Lockable:	self-locking (unlocking by tool)		

female

male



straight, for cables Ø 13-18 mm

Color of coding	Application	Marking of poles	female Art.No.	male Art.No.
■ black	250/400 V with PE	1, 2, 3, 4/N, 5, 6, PE	96.071.4553.1	96.072.4553.1
□ light grey	250/400 V with PE	1, 2, 3, 4/N, 5, 6, PE	96.071.4553.0	96.072.4553.0
■ light blue	250/400 V	1, 2, 3, 4/N, 5, 6, 7	96.071.4553.9	96.072.4553.9
■ turquoise blue	250/400 V with PE	L, N, PE, 1, 2, 3, 4	96.071.4553.6	96.072.4553.6

female



angled 90°, for cables Ø 6-10 mm, with longitudinal sealing

female

Color of coding	Application	Marking of poles	Art.No.
■ black	250/400 V with PE	1, 2, 3, 4/N, 5, 6, PE	9L.073.4053.1
□ light grey	250/400 V with PE	1, 2, 3, 4/N, 5, 6, PE	9L.073.4053.0
■ light blue	250/400 V	1, 2, 3, 4/N, 5, 6, 7	9L.073.4053.9
■ turquoise blue	250/400 V with PE	L, N, PE, 1, 2, 3, 4	9L.073.4053.6

female

male



angled 90°, for cables Ø 6-10 mm

female

male

Color of coding	Application	Marking of poles	female Art.No.	male Art.No.
■ black	250/400 V with PE	1, 2, 3, 4/N, 5, 6, PE	96.073.4053.1	96.074.4053.1
□ light grey	250/400 V with PE	1, 2, 3, 4/N, 5, 6, PE	96.073.4053.0	96.074.4053.0
■ light blue	250/400 V	1, 2, 3, 4/N, 5, 6, 7	96.073.4053.9	96.074.4053.9
■ turquoise blue	250/400 V with PE	L, N, PE, 1, 2, 3, 4	96.073.4053.6	96.074.4053.6

female



angled 90°, for cables Ø 10-14 mm, with longitudinal sealing

female

Color of coding	Application	Marking of poles	Art.No.
■ black	250/400 V with PE	1, 2, 3, 4/N, 5, 6, PE	9L.073.4153.1
□ light grey	250/400 V with PE	1, 2, 3, 4/N, 5, 6, PE	9L.073.4153.0
■ light blue	250/400 V	1, 2, 3, 4/N, 5, 6, 7	9L.073.4153.9
■ turquoise blue	250/400 V with PE	L, N, PE, 1, 2, 3, 4	9L.073.4153.6

female

male



angled 90°, for cables Ø 10-14 mm

female

male

Color of coding	Application	Marking of poles	female Art.No.	male Art.No.
■ black	250/400 V with PE	1, 2, 3, 4/N, 5, 6, PE	96.073.4153.1	96.074.4153.1
□ light grey	250/400 V with PE	1, 2, 3, 4/N, 5, 6, PE	96.073.4153.0	96.074.4153.0
■ light blue	250/400 V	1, 2, 3, 4/N, 5, 6, 7	96.073.4153.9	96.074.4153.9
■ turquoise blue	250/400 V with PE	L, N, PE, 1, 2, 3, 4	96.073.4153.6	96.074.4153.6

RST2017, CONNECTOR, 7-POLE

SCREW CONNECTION

TECHNICAL DATA

Rated current:	20 A	Cross section fine-stranded:	0,2 mm ² - 0,75 mm ²
Degree of protection (IP):	IP66/68 (3m;2h) /IP69	Connection cross section solid:	0,2 mm ² - 0,75 mm ²
Terminations per pole:	1	Additional technical data, see facts & data.	
Lockable:	self-locking (unlocking by tool)		

female

male



splitter connector, for cables Ø 6-10 mm

female

male

Color of coding	Application	Marking of poles	Art.No.	Art.No.
■ black	250/400 V with PE	1, 2, 3, 4/N, 5, 6, PE	96.071.4253.1	96.072.4253.1
□ light grey	250/400 V with PE	1, 2, 3, 4/N, 5, 6, PE	96.071.4253.0	
■ light blue	250/400 V	1, 2, 3, 4/N, 5, 6, 7	96.071.4253.9	
■ turquoise blue	250/400 V with PE	L, N, PE, 1, 2, 3, 4	96.071.4253.6	96.072.4253.6

female

splitter connector, for cables Ø 10-14 mm

female



Color of coding	Application	Marking of poles	Art.No.
■ black	250/400 V with PE	1, 2, 3, 4/N, 5, 6, PE	96.071.4353.1
□ light grey	250/400 V with PE	1, 2, 3, 4/N, 5, 6, PE	96.071.4353.0
■ light blue	250/400 V	1, 2, 3, 4/N, 5, 6, 7	96.071.4353.9
■ turquoise blue	250/400 V with PE	L, N, PE, 1, 2, 3, 4	96.071.4353.6

RST2017, CONNECTOR, 7-POLE

CRIMP

TECHNICAL DATA

Rated current:	20 A	Lockable:	self-locking (unlocking by tool)
Degree of protection (IP):	IP66/68 (3m;2h) /IP69	Cross section fine-stranded:	0,75 mm ² - 2,5 mm ²
Terminations per pole:	1	Additional technical data, see facts & data.	

female



straight, for cables Ø 6-10 mm, with longitudinal sealing

female

Color of coding	Application	Marking of poles	Art.No.
■ black	250/400 V with PE	1, 2, 3, 4/N, 5, 6, PE	9L.171.0053.1
□ light grey	250/400 V with PE	1, 2, 3, 4/N, 5, 6, PE	9L.171.0053.0
■ light blue	250/400 V	1, 2, 3, 4/N, 5, 6, 7	9L.171.0053.9
■ turquoise blue	250/400 V with PE	L, N, PE, 1, 2, 3, 4	9L.171.0053.6

female



male



straight, for cables Ø 6-10 mm

female

male

Color of coding	Application	Marking of poles	Art.No.	Art.No.
■ black	250/400 V with PE	1, 2, 3, 4/N, 5, 6, PE	96.171.0053.1	96.172.0053.1
□ light grey	250/400 V with PE	1, 2, 3, 4/N, 5, 6, PE	96.171.0053.0	96.172.0053.0
■ light blue	250/400 V	1, 2, 3, 4/N, 5, 6, 7	96.171.0053.9	96.172.0053.9
■ turquoise blue	250/400 V with PE	L, N, PE, 1, 2, 3, 4	96.171.0053.6	96.172.0053.6

female



straight, for cables Ø 10-14 mm, with longitudinal sealing

female

Color of coding	Application	Marking of poles	Art.No.
■ black	250/400 V with PE	1, 2, 3, 4/N, 5, 6, PE	9L.171.0153.1
□ light grey	250/400 V with PE	1, 2, 3, 4/N, 5, 6, PE	9L.171.0153.0
■ light blue	250/400 V	1, 2, 3, 4/N, 5, 6, 7	9L.171.0153.9
■ turquoise blue	250/400 V with PE	L, N, PE, 1, 2, 3, 4	9L.171.0153.6

female



male



straight, for cables Ø 10-14 mm

female

male

Color of coding	Application	Marking of poles	Art.No.	Art.No.
■ black	250/400 V with PE	1, 2, 3, 4/N, 5, 6, PE	96.171.0153.1	96.172.0153.1
□ light grey	250/400 V with PE	1, 2, 3, 4/N, 5, 6, PE	96.171.0153.0	96.172.0153.0
■ light blue	250/400 V	1, 2, 3, 4/N, 5, 6, 7	96.171.0153.9	96.172.0153.9
■ turquoise blue	250/400 V with PE	L, N, PE, 1, 2, 3, 4	96.171.0153.6	96.172.0153.6

female



straight, for cables Ø 13-18 mm, with longitudinal sealing

female

Color of coding	Application	Marking of poles	Art.No.
■ black	250/400 V with PE	1, 2, 3, 4/N, 5, 6, PE	9L.171.0553.1
□ light grey	250/400 V with PE	1, 2, 3, 4/N, 5, 6, PE	9L.171.0553.0
■ light blue	250/400 V	1, 2, 3, 4/N, 5, 6, 7	9L.171.0553.9
■ turquoise blue	250/400 V with PE	L, N, PE, 1, 2, 3, 4	9L.171.0553.6

female



male



straight, for cables Ø 13-18 mm

female

male

Color of coding	Application	Marking of poles	Art.No.	Art.No.
■ black	250/400 V with PE	1, 2, 3, 4/N, 5, 6, PE	96.171.0553.1	96.172.0553.1
□ light grey	250/400 V with PE	1, 2, 3, 4/N, 5, 6, PE	96.171.0553.0	96.172.0553.0
■ light blue	250/400 V	1, 2, 3, 4/N, 5, 6, 7	96.171.0553.9	96.172.0553.9
■ turquoise blue	250/400 V with PE	L, N, PE, 1, 2, 3, 4	96.171.0553.6	96.172.0553.6

RST2017, CONNECTOR, 7-POLE

CRIMP

TECHNICAL DATA

Rated current:	20 A	Lockable:	self-locking (unlocking by tool)
Degree of protection (IP):	IP66/68 (3m;2h) /IP69	Cross section fine-stranded:	0,75 mm ² - 2,5 mm ²
Terminations per pole:	1	Additional technical data, see facts & data.	

female



angled 90°, for cables Ø 6-10 mm, with longitudinal sealing

Color of coding	Application	Marking of poles	Art.No.
■ black	250/400 V with PE	1, 2, 3, 4/N, 5, 6, PE	9L.173.0053.1
□ light grey	250/400 V with PE	1, 2, 3, 4/N, 5, 6, PE	9L.173.0053.0
■ light blue	250/400 V	1, 2, 3, 4/N, 5, 6, 7	9L.173.0053.9
■ turquoise blue	250/400 V with PE	L, N, PE, 1, 2, 3, 4	9L.173.0053.6

female

male



angled 90°, for cables Ø 6-10 mm

Color of coding	Application	Marking of poles	Art.No.	Art.No.
■ black	250/400 V with PE	1, 2, 3, 4/N, 5, 6, PE	96.173.0053.1	96.174.0053.1
□ light grey	250/400 V with PE	1, 2, 3, 4/N, 5, 6, PE	96.173.0053.0	96.174.0053.0
■ light blue	250/400 V	1, 2, 3, 4/N, 5, 6, 7	96.173.0053.9	96.174.0053.9
■ turquoise blue	250/400 V with PE	L, N, PE, 1, 2, 3, 4	96.173.0053.6	96.174.0053.6

female



angled 90°, for cables Ø 10-14 mm, with longitudinal sealing

Color of coding	Application	Marking of poles	Art.No.
■ black	250/400 V with PE	1, 2, 3, 4/N, 5, 6, PE	9L.173.0153.1
□ light grey	250/400 V with PE	1, 2, 3, 4/N, 5, 6, PE	9L.173.0153.0
■ light blue	250/400 V	1, 2, 3, 4/N, 5, 6, 7	9L.173.0153.9
■ turquoise blue	250/400 V with PE	L, N, PE, 1, 2, 3, 4	9L.173.0153.6

female

male



angled 90°, for cables Ø 10-14 mm

Color of coding	Application	Marking of poles	Art.No.	Art.No.
■ black	250/400 V with PE	1, 2, 3, 4/N, 5, 6, PE	96.173.0153.1	96.174.0153.1
□ light grey	250/400 V with PE	1, 2, 3, 4/N, 5, 6, PE	96.173.0153.0	96.174.0153.0
■ light blue	250/400 V	1, 2, 3, 4/N, 5, 6, 7	96.173.0153.9	96.174.0153.9
■ turquoise blue	250/400 V with PE	L, N, PE, 1, 2, 3, 4	96.173.0153.6	96.174.0153.6

RST20I7, DEVICE CONNECTOR, M16, 7-POLE

SCREW CONNECTION

TECHNICAL DATA

Rated current:	20 A	Cross section fine-stranded:	0,2 mm ² - 2,5 mm ²
Degree of protection (IP):	IP66/68 (3m;2h) /IP69	Connection cross section solid:	0,2 mm ² - 2,5 mm ²
Terminations per pole:	1	Additional technical data, see facts & data.	
Lockable:	self-locking (unlocking by tool)		

female

male



modular, straight, with longitudinal sealing

Color of coding	Application	Marking of poles	female Art.No.	male Art.No.
■ black	250/400 V with PE	1, 2, 3, 4/N, 5, 6, PE	9L.071.6153.1	9L.072.6153.1
□ light grey	250/400 V with PE	1, 2, 3, 4/N, 5, 6, PE	9L.071.6153.0	9L.072.6153.0
■ light blue	250/400 V	1, 2, 3, 4/N, 5, 6, 7	9L.071.6153.9	9L.072.6153.9

female

male



modular, straight

Color of coding	Application	Marking of poles	female Art.No.	male Art.No.
■ black	250/400 V with PE	1, 2, 3, 4/N, 5, 6, PE	96.071.6153.1	96.072.6153.1
□ light grey	250/400 V with PE	1, 2, 3, 4/N, 5, 6, PE	96.071.6153.0	96.072.6153.0
■ light blue	250/400 V	1, 2, 3, 4/N, 5, 6, 7	96.071.6153.9	96.072.6153.9

female

male



modular, angled 7°

Color of coding	Application	Marking of poles	female Art.No.	male Art.No.
■ black	250/400 V with PE	1, 2, 3, 4/N, 5, 6, PE	96.075.6153.1	96.076.6153.1
□ light grey	250/400 V with PE	1, 2, 3, 4/N, 5, 6, PE	96.075.6153.0	96.076.6153.0
■ light blue	250/400 V	1, 2, 3, 4/N, 5, 6, 7	96.075.6153.9	96.076.6153.9

CRIMP

TECHNICAL DATA

Rated current:	20 A	Lockable:	self-locking (unlocking by tool)
Degree of protection (IP):	IP66/68 (3m;2h) /IP69	Cross section fine-stranded:	0,75 mm ² - 2,5 mm ²
Terminations per pole:	1	Additional technical data, see facts & data.	

female

male



modular, straight, with longitudinal sealing

Color of coding	Application	Marking of poles	female Art.No.	male Art.No.
■ black	250/400 V with PE	1, 2, 3, 4/N, 5, 6, PE	9L.171.2153.1	9L.172.2153.1
□ light grey	250/400 V with PE	1, 2, 3, 4/N, 5, 6, PE	9L.171.2153.0	9L.172.2153.0
■ light blue	250/400 V	1, 2, 3, 4/N, 5, 6, 7	9L.171.2153.9	9L.172.2153.9

female

male



modular, straight

Color of coding	Application	Marking of poles	female Art.No.	male Art.No.
■ black	250/400 V with PE	1, 2, 3, 4/N, 5, 6, PE	96.171.2153.1	96.172.2153.1
□ light grey	250/400 V with PE	1, 2, 3, 4/N, 5, 6, PE	96.171.2153.0	96.172.2153.0
■ light blue	250/400 V	1, 2, 3, 4/N, 5, 6, 7	96.171.2153.9	96.172.2153.9

RST20I7, DEVICE CONNECTOR, M16, 7-POLE

CRIMP

TECHNICAL DATA

Rated current:	20 A	Lockable:	self-locking (unlocking by tool)
Degree of protection (IP):	IP66/68 (3m;2h) /IP69	Cross section fine-stranded:	0,75 mm ² - 2,5 mm ²
Terminations per pole:	1	Additional technical data, see facts & data.	

female



male



modular, angled 7°

Color of coding	Application	Marking of poles	female Art.No.	male Art.No.
■ black	250/400 V with PE	1, 2, 3, 4/N, 5, 6, PE	96.175.2153.1	96.176.2153.1
□ light grey	250/400 V with PE	1, 2, 3, 4/N, 5, 6, PE	96.175.2153.0	96.176.2153.0
■ light blue	250/400 V	1, 2, 3, 4/N, 5, 6, 7	96.175.2153.9	96.176.2153.9

RST20I7, DEVICE CONNECTOR, M20, 7-POLE

SCREW CONNECTION

TECHNICAL DATA

Rated current:	20 A	Cross section fine-stranded:	0,2 mm ² - 2,5 mm ²
Degree of protection (IP):	IP66/68 (3m;2h) /IP69	Connection cross section solid:	0,2 mm ² - 2,5 mm ²
Terminations per pole:	1	Additional technical data, see facts & data.	
Lockable:	self-locking (unlocking by tool)		

female

male



modular, straight, with longitudinal sealing

female

male

Color of coding	Application	Marking of poles	Art.No.	Art.No.
■ black	250/400 V with PE	1, 2, 3, 4/N, 5, 6, PE	9L.071.6053.1	9L.072.6053.1
□ light grey	250/400 V with PE	1, 2, 3, 4/N, 5, 6, PE	9L.071.6053.0	9L.072.6053.0
■ light blue	250/400 V	1, 2, 3, 4/N, 5, 6, 7	9L.071.6053.9	9L.072.6053.9

female

male



modular, straight

female

male

Color of coding	Application	Marking of poles	Art.No.	Art.No.
■ black	250/400 V with PE	1, 2, 3, 4/N, 5, 6, PE	96.071.6053.1	96.072.6053.1
□ light grey	250/400 V with PE	1, 2, 3, 4/N, 5, 6, PE	96.071.6053.0	96.072.6053.0
■ light blue	250/400 V	1, 2, 3, 4/N, 5, 6, 7	96.071.6053.9	96.072.6053.9

female

male



modular, angled 90°

female

male

Color of coding	Application	Marking of poles	Art.No.	Art.No.
■ black	250/400 V with PE	1, 2, 3, 4/N, 5, 6, PE	96.073.6053.1	96.074.6053.1
□ light grey	250/400 V with PE	1, 2, 3, 4/N, 5, 6, PE	96.073.6053.0	96.074.6053.0
■ light blue	250/400 V	1, 2, 3, 4/N, 5, 6, 7	96.073.6053.9	96.074.6053.9

CRIMP

TECHNICAL DATA

Rated current:	20 A	Lockable:	self-locking (unlocking by tool)
Degree of protection (IP):	IP66/68 (3m;2h) /IP69	Cross section fine-stranded:	0,75 mm ² - 2,5 mm ²
Terminations per pole:	1	Additional technical data, see facts & data.	

female

male



modular, straight, with longitudinal sealing

female

male

Color of coding	Application	Marking of poles	Art.No.	Art.No.
■ black	250/400 V with PE	1, 2, 3, 4/N, 5, 6, PE	9L.171.2053.1	9L.172.2053.1
□ light grey	250/400 V with PE	1, 2, 3, 4/N, 5, 6, PE	9L.171.2053.0	9L.172.2053.0
■ light blue	250/400 V	1, 2, 3, 4/N, 5, 6, 7	9L.171.2053.9	9L.172.2053.9

female

male



modular, straight

female

male

Color of coding	Application	Marking of poles	Art.No.	Art.No.
■ black	250/400 V with PE	1, 2, 3, 4/N, 5, 6, PE	96.171.2053.1	96.172.2053.1
□ light grey	250/400 V with PE	1, 2, 3, 4/N, 5, 6, PE	96.171.2053.0	96.172.2053.0
■ light blue	250/400 V	1, 2, 3, 4/N, 5, 6, 7	96.171.2053.9	96.172.2053.9

RST20I7, DEVICE CONNECTOR, M20, 7-POLE

CRIMP

TECHNICAL DATA

Rated current:	20 A	Lockable:	self-locking (unlocking by tool)
Degree of protection (IP):	IP66/68 (3m;2h) /IP69	Cross section fine-stranded:	0,75 mm ² - 2,5 mm ²
Terminations per pole:	1	Additional technical data, see facts & data.	

female



male



modular, angled 90°

Color of coding	Application	Marking of poles	female Art.No.	male Art.No.
■ black	250/400 V with PE	1, 2, 3, 4/N, 5, 6, PE	96.173.2053.1	96.174.2053.1
□ light grey	250/400 V with PE	1, 2, 3, 4/N, 5, 6, PE	96.173.2053.0	96.174.2053.0
■ light blue	250/400 V	1, 2, 3, 4/N, 5, 6, 7	96.173.2053.9	96.174.2053.9

RST20I7, DEVICE CONNECTOR, M25, 7-POLE

SCREW CONNECTION

TECHNICAL DATA

Rated current:	20 A	Cross section fine-stranded:	0,2 mm ² - 2,5 mm ²
Degree of protection (IP):	IP66/68 (3m;2h) /IP69	Connection cross section solid:	0,2 mm ² - 2,5 mm ²
Terminations per pole:	1	Additional technical data, see facts & data.	
Lockable:	self-locking (unlocking by tool)		

female

male



modular, straight, with longitudinal sealing

female

male

Color of coding	Application	Marking of poles	Art.No.	Art.No.
■ black	250/400 V with PE	1, 2, 3, 4/N, 5, 6, PE	9L.071.6253.1	9L.072.6253.1
□ light grey	250/400 V with PE	1, 2, 3, 4/N, 5, 6, PE	9L.071.6253.0	9L.072.6253.0
■ light blue	250/400 V	1, 2, 3, 4/N, 5, 6, 7	9L.071.6253.9	9L.072.6253.9

female

male



modular, straight

female

male

Color of coding	Application	Marking of poles	Art.No.	Art.No.
■ black	250/400 V with PE	1, 2, 3, 4/N, 5, 6, PE	96.071.6253.1	96.072.6253.1
□ light grey	250/400 V with PE	1, 2, 3, 4/N, 5, 6, PE	96.071.6253.0	96.072.6253.0
■ light blue	250/400 V	1, 2, 3, 4/N, 5, 6, 7	96.071.6253.9	96.072.6253.9

female

male



modular, angled 90°

female

male

Color of coding	Application	Marking of poles	Art.No.	Art.No.
■ black	250/400 V with PE	1, 2, 3, 4/N, 5, 6, PE	96.073.6253.1	96.074.6253.1
□ light grey	250/400 V with PE	1, 2, 3, 4/N, 5, 6, PE	96.073.6253.0	96.074.6253.0
■ light blue	250/400 V	1, 2, 3, 4/N, 5, 6, 7	96.073.6253.9	96.074.6253.9

CRIMP

TECHNICAL DATA

Rated current:	20 A	Lockable:	self-locking (unlocking by tool)
Degree of protection (IP):	IP66/68 (3m;2h) /IP69	Cross section fine-stranded:	0,75 mm ² - 2,5 mm ²
Terminations per pole:	1	Additional technical data, see facts & data.	

female

male



modular, straight, with longitudinal sealing

female

male

Color of coding	Application	Marking of poles	Art.No.	Art.No.
■ black	250/400 V with PE	1, 2, 3, 4/N, 5, 6, PE	9L.171.2253.1	9L.172.2253.1
□ light grey	250/400 V with PE	1, 2, 3, 4/N, 5, 6, PE	9L.171.2253.0	9L.172.2253.0
■ light blue	250/400 V	1, 2, 3, 4/N, 5, 6, 7	9L.171.2253.9	9L.172.2253.9

female

male



modular, straight

female

male

Color of coding	Application	Marking of poles	Art.No.	Art.No.
■ black	250/400 V with PE	1, 2, 3, 4/N, 5, 6, PE	96.171.2253.1	96.172.2253.1
□ light grey	250/400 V with PE	1, 2, 3, 4/N, 5, 6, PE	96.171.2253.0	96.172.2253.0
■ light blue	250/400 V	1, 2, 3, 4/N, 5, 6, 7	96.171.2253.9	96.172.2253.9

RST20I7, DEVICE CONNECTOR, M25, 7-POLE

CRIMP

TECHNICAL DATA

Rated current:	20 A	Lockable:	self-locking (unlocking by tool)
Degree of protection (IP):	IP66/68 (3m;2h) /IP69	Cross section fine-stranded:	0,75 mm ² - 2,5 mm ²
Terminations per pole:	1	Additional technical data, see facts & data.	

female



male



modular, angled 90°

Color of coding	Application	Marking of poles	female Art.No.	male Art.No.
■ black	250/400 V with PE	1, 2, 3, 4/N, 5, 6, PE	96.173.2253.1	96.174.2253.1
□ light grey	250/400 V with PE	1, 2, 3, 4/N, 5, 6, PE	96.173.2253.0	96.174.2253.0
■ light blue	250/400 V	1, 2, 3, 4/N, 5, 6, 7	96.173.2253.9	96.174.2253.9

RST20I7, DEVICE CONNECTOR, M32, 7-POLE

SCREW CONNECTION

TECHNICAL DATA

Rated current:	20 A	Cross section fine-stranded:	0,2 mm ² - 2,5 mm ²
Degree of protection (IP):	IP66/68 (3m;2h) /IP69	Connection cross section solid:	0,2 mm ² - 2,5 mm ²
Terminations per pole:	1	Additional technical data, see facts & data.	
Lockable:	self-locking (unlocking by tool)		

female

male



modular, straight, with longitudinal sealing

Color of coding	Application	Marking of poles	female Art.No.	male Art.No.
■ black	250/400 V with PE	1, 2, 3, 4/N, 5, 6, PE	9L.071.6353.1	9L.072.6353.1
■ light blue	250/400 V	1, 2, 3, 4/N, 5, 6, 7	9L.071.6353.9	9L.072.6353.9
■ turquoise blue	250/400 V with PE	L, N, PE, 1, 2, 3, 4	9L.071.6353.6	9L.072.6353.6

female

male



modular, straight

Color of coding	Application	Marking of poles	female Art.No.	male Art.No.
■ black	250/400 V with PE	1, 2, 3, 4/N, 5, 6, PE	96.071.6353.1	96.072.6353.1
■ light blue	250/400 V	1, 2, 3, 4/N, 5, 6, 7	96.071.6353.9	96.072.6353.9
■ turquoise blue	250/400 V with PE	L, N, PE, 1, 2, 3, 4	96.071.6353.6	96.072.6353.6

CRIMP

TECHNICAL DATA

Rated current:	20 A	Lockable:	self-locking (unlocking by tool)
Degree of protection (IP):	IP66/68 (3m;2h) /IP69	Cross section fine-stranded:	0,75 mm ² - 2,5 mm ²
Terminations per pole:	1	Additional technical data, see facts & data.	

female

male



modular, straight, with longitudinal sealing

Color of coding	Application	Marking of poles	female Art.No.	male Art.No.
■ black	250/400 V with PE	1, 2, 3, 4/N, 5, 6, PE	9L.171.2353.1	9L.172.2353.1
■ light blue	250/400 V	1, 2, 3, 4/N, 5, 6, 7	9L.171.2353.9	9L.172.2353.9
■ turquoise blue	250/400 V with PE	L, N, PE, 1, 2, 3, 4	9L.171.2353.6	9L.172.2353.6

female

male



modular, straight

Color of coding	Application	Marking of poles	female Art.No.	male Art.No.
■ black	250/400 V with PE	1, 2, 3, 4/N, 5, 6, PE	96.171.2353.1	96.172.2353.1
■ light blue	250/400 V	1, 2, 3, 4/N, 5, 6, 7	96.171.2353.9	96.172.2353.9
■ turquoise blue	250/400 V with PE	L, N, PE, 1, 2, 3, 4	96.171.2353.6	96.172.2353.6

RST25I3, CONNECTOR, 3-POLE

SCREW CONNECTION

TECHNICAL DATA

Rated current:	25 A	Cross section fine-stranded:	0,75 mm ² - 6 mm ²
Degree of protection (IP):	IP66/68 (3m;2h) /IP69	Connection cross section solid:	0,75 mm ² - 6 mm ²
Terminations per pole:	1	Additional technical data, see facts & data.	
Lockable:	self-locking (unlocking by tool)		

female

male



straight, for cables Ø 6-10 mm

Color of coding	Application	Marking of poles	female Art.No.	male Art.No.
■ concrete grey	250 V with PE	L, N, PE	96.031.4054.3	96.032.4054.3

female

male



straight, for cables Ø 10-14 mm

Color of coding	Application	Marking of poles	female Art.No.	male Art.No.
■ concrete grey	250 V with PE	L, N, PE	96.031.4154.3	96.032.4154.3

female

male



straight, for cables Ø 13-18 mm

Color of coding	Application	Marking of poles	female Art.No.	male Art.No.
■ concrete grey	250 V with PE	L, N, PE	96.031.4554.3	96.032.4554.3

female

male



angled 90°, for cables Ø 6-10 mm

Color of coding	Application	Marking of poles	female Art.No.	male Art.No.
■ concrete grey	250 V with PE	L, N, PE	96.033.4054.3	96.034.4054.3

female

male



angled 90°, for cables Ø 10-14 mm

Color of coding	Application	Marking of poles	female Art.No.	male Art.No.
■ concrete grey	250 V with PE	L, N, PE	96.033.4154.3	96.034.4154.3

RST25I3, CONNECTOR, 3-POLE

SCREW CONNECTION

TECHNICAL DATA			
Rated current:	25 A	Cross section fine-stranded:	0,75 mm ² - 2,5 mm ²
Degree of protection (IP):	IP66/68 (3m;2h) /IP69	Connection cross section solid:	0,75 mm ² - 2,5 mm ²
Terminations per pole:	1	Additional technical data, see facts & data.	
Lockable:	self-locking (unlocking by tool)		

female



splitter connector, for cables Ø 6-10 mm

female

Color of coding	Application	Marking of poles	Art.No.
■ concrete grey	250 V with PE	L, N, PE	96.031.4254.3

RST25I3, DEVICE CONNECTOR, M16, 3-POLE

SCREW CONNECTION

TECHNICAL DATA

Rated current:	25 A	Cross section fine-stranded:	0,75 mm ² - 6 mm ²
Degree of protection (IP):	IP66/68 (3m;2h) /IP69	Connection cross section solid:	0,75 mm ² - 6 mm ²
Terminations per pole:	1	Additional technical data, see facts & data.	
Lockable:	self-locking (unlocking by tool)		

female



male



modular, straight

Color of coding	Application	Marking of poles	female Art.No.	male Art.No.
■ concrete grey	250 V with PE	L, N, PE	96.031.6154.3	96.032.6154.3

RST25I3, DEVICE CONNECTOR, M20, 3-POLE

SCREW CONNECTION

TECHNICAL DATA

Rated current:	25 A	Cross section fine-stranded:	0,75 mm ² - 6 mm ²
Degree of protection (IP):	IP66/68 (3m;2h) /IP69	Connection cross section solid:	0,75 mm ² - 6 mm ²
Terminations per pole:	1	Additional technical data, see facts & data.	
Lockable:	self-locking (unlocking by tool)		

female

male



modular, straight

Color of coding	Application	Marking of poles	female Art.No.	male Art.No.
■ concrete grey	250 V with PE	L, N, PE	96.031.6054.3	96.032.6054.3

female

male



modular, angled 90°

Color of coding	Application	Marking of poles	female Art.No.	male Art.No.
■ concrete grey	250 V with PE	L, N, PE	96.033.6054.3	96.034.6054.3

RST25I3, DEVICE CONNECTOR, M25, 3-POLE

SCREW CONNECTION

TECHNICAL DATA

Rated current:	25 A	Cross section fine-stranded:	0,75 mm ² - 6 mm ²
Degree of protection (IP):	IP66/68 (3m;2h) /IP69	Connection cross section solid:	0,75 mm ² - 6 mm ²
Terminations per pole:	1	Additional technical data, see facts & data.	
Lockable:	self-locking (unlocking by tool)		

female

male



standard, straight

Color of coding	Application	Marking of poles	female Art.No.	male Art.No.
■ concrete grey	250 V with PE	L, N, PE	96.031.5054.3	96.032.5054.3

female

male



modular, angled 90°

Color of coding	Application	Marking of poles	female Art.No.	male Art.No.
■ concrete grey	250 V with PE	L, N, PE	96.033.6254.3	96.034.6254.3

RST25I3, CABLE ASSEMBLY, 3-POLE

4 mm², 25 A



TECHNICAL DATA

Rated current: 25 A
 Degree of protection (IP): IP66/68 (3m;2h) /IP69
 Lockable: self-locking (unlocking by tool)

type of construction: Cable screw gland
 Additional technical data, see facts & data.

connecting cable, female - male

Cable color:
 Color of coding: ■ concrete grey
 Application: 250 V with PE
 Marking of poles: L, N, PE

Length (m)	H07RN-F halogenated	H05VV-F halogenated Eca
	Art.No.	Art.No.
	■ black	■ black
1	96.834.1030.3	96.834.1000.3
2	96.834.2030.3	96.834.2000.3
3	96.834.3030.3	96.834.3000.3
4	96.834.4030.3	96.834.4000.3



TECHNICAL DATA

Rated current: 25 A
 Degree of protection (IP): IP66/68 (3m;2h) /IP69
 Lockable: self-locking (unlocking by tool)

Preparation of conductor ends: ultrasonically compressed wire ends
 type of construction: Cable screw gland
 Additional technical data, see facts & data.

connection cable, female - free end

Cable color:
 Color of coding: ■ concrete grey
 Application: 250 V with PE
 Marking of poles: L, N, PE

Length (m)	H07RN-F halogenated	H05VV-F halogenated Eca
	Art.No.	Art.No.
	■ black	■ black
1	96.834.1033.3	96.834.1003.3
2	96.834.2033.3	96.834.2003.3
3	96.834.3033.3	96.834.3003.3
4	96.834.4033.3	96.834.4003.3

RST25I3, CABLE ASSEMBLY, 3-POLE

4 mm², 25 A



TECHNICAL DATA

Rated current:	25 A	Preparation of conductor ends:	ultrasonically compressed wire ends
Degree of protection (IP):	IP66/68 (3m;2h) /IP69	type of construction:	Cable screw gland
Lockable:	self-locking (unlocking by tool)	Additional technical data, see facts & data.	

connection cable, male - free end

Cable color:	
Color of coding:	■ concrete grey
Application:	250 V with PE
Marking of poles:	L, N, PE

	H07RN-F halogenated	H05VV-F halogenated Eca
Length (m)	Art.No.	Art.No.
	■ black	■ black
1	96.834.1034.3	96.834.1004.3
2	96.834.2034.3	96.834.2004.3
3	96.834.3034.3	96.834.3004.3
4	96.834.4034.3	96.834.4004.3

RST25I5, CONNECTOR, 5-POLE

SCREW CONNECTION

TECHNICAL DATA

Rated current:	25 A	Cross section fine-stranded:	0,75 mm ² - 4 mm ²
Degree of protection (IP):	IP66/68 (3m;2h) /IP69	Connection cross section solid:	0,75 mm ² - 4 mm ²
Terminations per pole:	1	Additional technical data, see facts & data.	
Lockable:	self-locking (unlocking by tool)		

female

male



straight, for cables Ø 6-10 mm

female

male

Color of coding	Application	Marking of poles	Art.No.	Art.No.
■ concrete grey	250/400 V with PE	L, N, PE, 1, 2	96.051.4054.3	96.052.4054.3

female

male



straight, for cables Ø 10-14 mm

female

male

Color of coding	Application	Marking of poles	Art.No.	Art.No.
■ concrete grey	250/400 V with PE	L, N, PE, 1, 2	96.051.4154.3	96.052.4154.3

female

male



straight, for cables Ø 13-18 mm

female

male

Color of coding	Application	Marking of poles	Art.No.	Art.No.
■ concrete grey	250/400 V with PE	L, N, PE, 1, 2	96.051.4554.3	96.052.4554.3

TECHNICAL DATA

Rated current:	25 A	Cross section fine-stranded:	1,5 mm ² - 6 mm ²
Degree of protection (IP):	IP66/68 (3m;2h) /IP69	Connection cross section solid:	1,5 mm ² - 4 mm ²
Terminations per pole:	1	Additional technical data, see facts & data.	
Lockable:	self-locking (unlocking by tool)		

female

male



straight, cross-section 1,5 mm² - 6 mm², for cables Ø 13-18 mm

female

male

Color of coding	Application	Marking of poles	Art.No.	Art.No.
■ concrete grey	250/400 V with PE	L, N, PE, 1, 2	99.575.0000.7	99.576.0000.7

RST25I5, CONNECTOR, 5-POLE

SCREW CONNECTION

TECHNICAL DATA

Rated current:	25 A	Cross section fine-stranded:	0,75 mm ² - 2,5 mm ²
Degree of protection (IP):	IP66/68 (3m;2h) /IP69	Connection cross section solid:	0,75 mm ² - 2,5 mm ²
Terminations per pole:	1	Additional technical data, see facts & data.	
Lockable:	self-locking (unlocking by tool)		

female



splitter connector, for cables Ø 6-10 mm

female

Color of coding	Application	Marking of poles	Art.No.
■ concrete grey	250/400 V with PE	L, N, PE, 1, 2	99.584.0000.7

female



splitter connector, for cables Ø 10-14 mm

female

Color of coding	Application	Marking of poles	Art.No.
■ concrete grey	250/400 V with PE	L, N, PE, 1, 2	99.585.0000.7

RST25I5, DEVICE CONNECTOR, M16, 5-POLE

SCREW CONNECTION

TECHNICAL DATA

Rated current:	25 A	Cross section fine-stranded:	0,75 mm ² - 4 mm ²
Degree of protection (IP):	IP66/68 (3m;2h) /IP69	Connection cross section solid:	0,75 mm ² - 4 mm ²
Terminations per pole:	1	Additional technical data, see facts & data.	
Lockable:	self-locking (unlocking by tool)		

female

male



modular, straight

Color of coding	Application	Marking of poles	female Art.No.	male Art.No.
■ concrete grey	250/400 V with PE	L, N, PE, 1, 2	96.051.6154.3	96.052.6154.3

RST25I5, DEVICE CONNECTOR, M20, 5-POLE

SCREW CONNECTION

TECHNICAL DATA

Rated current:	25 A	Cross section fine-stranded:	0,75 mm ² - 4 mm ²
Degree of protection (IP):	IP66/68 (3m;2h) /IP69	Connection cross section solid:	0,75 mm ² - 4 mm ²
Terminations per pole:	1	Additional technical data, see facts & data.	
Lockable:	self-locking (unlocking by tool)		

female



male



modular, straight

Color of coding	Application	Marking of poles	female Art.No.	male Art.No.
■ concrete grey	250/400 V with PE	L, N, PE, 1, 2	96.051.6054.3	96.052.6054.3

female



male



modular, angled 90°

Color of coding	Application	Marking of poles	female Art.No.	male Art.No.
■ concrete grey	250/400 V with PE	L, N, PE, 1, 2	96.053.6054.3	96.054.6054.3

RST25I5, DEVICE CONNECTOR, M25, 5-POLE

SCREW CONNECTION

female



male



TECHNICAL DATA

Rated current:	25 A	Cross section fine-stranded:	0,75 mm ² - 4 mm ²
Degree of protection (IP):	IP66/68 (3m;2h) /IP69	Connection cross section solid:	0,75 mm ² - 4 mm ²
Terminations per pole:	1	Additional technical data, see facts & data.	
Lockable:	self-locking (unlocking by tool)		

standard, straight

Color of coding	Application	Marking of poles	female Art.No.	male Art.No.
■ concrete grey	250/400 V with PE	L, N, PE, 1, 2	96.051.5054.3	96.052.5054.3

female



male



TECHNICAL DATA

Rated current:	25 A	Cross section fine-stranded:	1,5 mm ² - 6 mm ²
Degree of protection (IP):	IP66/68 (3m;2h) /IP69	Connection cross section solid:	1,5 mm ² - 4 mm ²
Terminations per pole:	1	Additional technical data, see facts & data.	
Lockable:	self-locking (unlocking by tool)		

standard, straight, cross-section 1,5 mm² - 6 mm²

Color of coding	Application	Marking of poles	female Art.No.	male Art.No.
■ concrete grey	250/400 V with PE	L, N, PE, 1, 2	99.577.0000.7	99.578.0000.7

female



male



TECHNICAL DATA

Rated current:	25 A	Cross section fine-stranded:	0,75 mm ² - 4 mm ²
Degree of protection (IP):	IP66/68 (3m;2h) /IP69	Connection cross section solid:	0,75 mm ² - 4 mm ²
Terminations per pole:	1	Additional technical data, see facts & data.	
Lockable:	self-locking (unlocking by tool)		

modular, angled 90°

Color of coding	Application	Marking of poles	female Art.No.	male Art.No.
■ concrete grey	250/400 V with PE	L, N, PE, 1, 2	96.053.6254.3	96.054.6254.3

RST25I5, CABLE ASSEMBLY, 5-POLE

4 mm², 25 A



TECHNICAL DATA

Rated current: 25 A
 Degree of protection (IP): IP66/68 (3m;2h) /IP69
 Lockable: self-locking (unlocking by tool)

type of construction: Cable screw gland
 Additional technical data, see facts & data.

connecting cable, female - male

Cable color: concrete grey
 Color of coding: concrete grey
 Application: 250/400 V with PE
 Marking of poles: L, N, PE, 1, 2

Length (m)	H07RN-F halogenated	H05VV-F halogenated
	Art.No.	Art.No.
1	96.854.1030.3	96.854.1000.3
2	96.854.2030.3	96.854.2000.3
3	96.854.3030.3	96.854.3000.3
4	96.854.4030.3	96.854.4000.3



TECHNICAL DATA

Rated current: 25 A
 Degree of protection (IP): IP66/68 (3m;2h) /IP69
 Lockable: self-locking (unlocking by tool)

Preparation of conductor ends: ultrasonically compressed wire ends
 type of construction: Cable screw gland
 Additional technical data, see facts & data.

connection cable, female - free end

Cable color: concrete grey
 Color of coding: concrete grey
 Application: 250/400 V with PE
 Marking of poles: L, N, PE, 1, 2

Length (m)	H07RN-F halogenated	H05VV-F halogenated
	Art.No.	Art.No.
1	96.854.1033.3	96.854.1003.3
2	96.854.2033.3	96.854.2003.3
3	96.854.3033.3	96.854.3003.3
4	96.854.4033.3	96.854.4003.3

RST25I5, CABLE ASSEMBLY, 5-POLE

4 mm², 25 A



TECHNICAL DATA

Rated current:	25 A	Preparation of conductor ends:	ultrasonically compressed wire ends
Degree of protection (IP):	IP66/68 (3m;2h) /IP69	type of construction:	Cable screw gland
Lockable:	self-locking (unlocking by tool)	Additional technical data, see facts & data.	

connection cable, male - free end

Cable color:	
Color of coding:	■ concrete grey
Application:	250/400 V with PE
Marking of poles:	L, N, PE, 1, 2

H07RN-F halogenated **H05VV-F halogenated**

Length (m)	Art.No.	Art.No.
	■ black	■ black
1	96.854.1034.3	96.854.1004.3
2	96.854.2034.3	96.854.2004.3
3	96.854.3034.3	96.854.3004.3
4	96.854.4034.3	96.854.4004.3

RST20/25, ACCESSORIES



cover piece for 2-/3-pole, captive against loss, for female

Color	Art.No.
■ black	99.414.6205.2
□ light grey	99.413.6205.2



cover piece for 2-/3-pole, captive against loss, for male

Color	Art.No.
■ black	99.416.6205.2
□ light grey	99.415.6205.2



cover piece for 2-/3-pole, not captive against loss, for female

Color	Art.No.
■ black	Z5.564.4553.1
□ light grey	Z5.564.4553.0



cover piece for 2-/3-pole, not captive against loss, for male

Color	Art.No.
■ black	05.564.4453.1
□ light grey	05.564.4453.0



cover piece for 4-/5-pole, captive against loss, for female

Color	Art.No.
■ black	99.530.0000.7
□ light grey	99.529.0000.7



cover piece for 4-/5-pole, captive against loss, for male

Color	Art.No.
■ black	99.532.0000.7
□ light grey	99.531.0000.7



cover piece for 4-/5-pole, not captive against loss, for female

Color	Art.No.
■ black	Z5.565.9853.1
□ light grey	Z5.565.9853.0

RST20/25, ACCESSORIES



cover piece for 4-/5-pole, not captive against loss, for male

Color	Art.No.
■ black	05.565.9953.1
□ light grey	05.565.9953.0
■ pebble grey	05.565.9955.3



cover piece for 6-/7-pole, captive against loss, for female

Color	Art.No.
■ black	99.589.0000.7



cover piece for 6-/7-pole, captive against loss, for male

Color	Art.No.
■ black	99.591.0000.7



cover piece for 6-/7-pole, not captive against loss, for female

Color	Art.No.
■ black	25.569.5253.1



cover piece for 6-/7-pole, not captive against loss, for male

Color	Art.No.
■ black	25.569.5353.1



cover piece for pole socket, not captive against loss, for female

Color	Art.No.
■ black	25.564.4500.1



fastening cord for cover piece

Art.No.
99.000.9950.6

RST20/25, ACCESSORIES



manual disconnect tool, for 2- up to 5-pole

Color	Art.No.
■ black	05.564.8653.1
■ leaves green	05.564.8653.7
■ concrete grey	05.564.8653.3



manual disconnect tool, for 6-/7-pole

Color	Art.No.
■ black	06.562.8753.0



manual disconnect tool, for shrinkage tube version

Color	Art.No.
■ black	05.565.8653.1
■ leaves green	05.565.8653.7
■ concrete grey	05.565.8653.3



locking slide - safety Clip

Color	Art.No.
■ black	05.583.2900.1
■ concrete grey	05.583.2900.3



sealing, Ø 6 - 10 mm

Color	Art.No.
■ black	05.565.0400.0



sealing, Ø 10 - 14 mm

Color	Art.No.
■ black	05.565.0500.0



sealing, Ø 13 - 18 mm

Color	Art.No.
■ black	05.565.2600.0

RST20/25, ACCESSORIES



mounting panel, for splitter connectors

Color	Art.No.
■ black	01.006.1553.1
□ light grey	01.006.1553.0



crimp contacts for 2-/3-pole, female

Nominal cross section	Art.No.
1 mm ²	02.122.9000.0
1.5 mm ²	02.122.9100.0
2.5 mm ²	02.122.9200.0
4 mm ²	02.122.9300.0



crimp contacts for 2-/3-pole, male

Nominal cross section	Art.No.
1 mm ²	05.544.7800.0
1.5 mm ²	05.544.7900.0
2.5 mm ²	05.544.8000.0
4 mm ²	05.545.4600.0



crimp contacts for 4-/5-pole, female

Nominal cross section	Art.No.
1 mm ²	02.125.5521.8
1.5 mm ²	02.125.5621.8
2.5 mm ²	02.125.5721.8
4 mm ²	02.125.5821.8



crimp contacts for 4-/5-pole, male

Nominal cross section	Art.No.
1 mm ²	05.545.0021.8
1.5 mm ²	05.545.0121.8
2.5 mm ²	05.545.0221.8
4 mm ²	05.545.0321.8



crimp contacts for 6-/7-pole, female

Nominal cross section	Art.No.
1 mm ²	02.127.1121.8
1.5 mm ²	02.127.1221.8
2.5 mm ²	02.127.1321.8



crimp contacts for 6-/7-pole, male

Nominal cross section	Art.No.
1 mm ²	05.546.3921.8
1.5 mm ²	05.546.4021.8
2.5 mm ²	05.546.4121.8

RST20/25, ACCESSORIES



Crimping tool, System kit

Art.No.
95.101.0800.0



crimping die B

Art.No.
05.502.2100.0



contact positioner for crimping tool

Color	Art.No.
■ black	05.502.3600.0



unlocking tool, for crimp contacts

Art.No.
05.502.3500.0



ferrule crimping tool, for cable end sleeve

Art.No.
95.101.1300.0



cable end sleeve, for RST20i3 spring clamp connection

Color	Nominal cross section	Art.No.
■ black	1.5 mm ²	06.600.3927.0
■ Red	1 mm ²	06.600.3627.0
■ Grey	0.75 mm ²	06.600.3727.0
□ white	0.5 mm ²	06.600.3827.0



screwdriver, for tension clamp connection

Art.No.
06.502.4300.0

RST20/25, ACCESSORIES



mounting frame, for device connector M25

Color	Art.No.
<input type="checkbox"/> white	99.400.9999.7



surface mount socket

Color	Art.No.
<input type="checkbox"/> white	99.404.9999.7



spacer ring for device connector M25, manually actuated

Color	Art.No.
<input checked="" type="checkbox"/> black	05.568.8853.1



spacer ring for device connector M25, screwdriver actuated

Color	Art.No.
<input checked="" type="checkbox"/> black	05.566.5253.1
<input type="checkbox"/> light grey	05.566.5253.0



jumper plug, for series connection

Color	Application	Marking of poles	Art.No.
<input checked="" type="checkbox"/> signal brown	~50/-120 V	1, 2	99.537.0000.7



sample case, RST20i2...i7

Art.No.
99.431.0000.0



sample case, RST20i3

Art.No.
99.429.0000.0

RST20/25, ACCESSORIES



sample case, RST20i5

Art.No.
99.430.0000.0

sample case, RST20i7

Art.No.
99.439.0000.1

sample set, ATEX RST20i3

Art.No.
99.663.0000.0

sample set, ATEX RST20i5

Art.No.
99.664.0000.0

RST® POWER

The high-current connector
for large cross-sections.



FEATURES

- + 4 and 5-pole
- + 50 A rated current
- + Mechanical coding

RST50i4



Mechanical coding (pole configuration based on female connector)

black

Operating voltage (application)

250/400 V

RST50i5



Mechanical coding (pole configuration based on female connector)

black

Operating voltage (application)

250/400 V

RST50I4, CONNECTOR, 4-POLE

SCREW CONNECTION

TECHNICAL DATA

Rated current:	50 A	Cross section fine-stranded:	4 mm ² - 16 mm ²
Degree of protection (IP):	IP66/67/69	Connection cross section solid:	4 mm ² - 6 mm ²
Terminations per pole:	1	Additional technical data, see facts & data.	
Lockable:	Yes		

female



male



straight, for cables Ø 15-25 mm

Color of coding	Application	Marking of poles	female Art.No.	male Art.No.
■ black	250/400 V with PE	1, 2, 3, PE	97.041.4053.1	97.042.4053.1

female



male



straight, for cables Ø 20-32 mm

Color of coding	Application	Marking of poles	female Art.No.	male Art.No.
■ black	250/400 V with PE	1, 2, 3, PE	97.041.4253.1	97.042.4253.1

RST50I4, DEVICE CONNECTOR, M32, 4-POLE

SCREW CONNECTION

TECHNICAL DATA

Rated current:	50 A	Cross section fine-stranded:	4 mm ² - 16 mm ²
Degree of protection (IP):	IP66/67/69	Connection cross section solid:	4 mm ² - 16 mm ²
Terminations per pole:	1	Additional technical data, see facts & data.	
Lockable:	Yes		

female

male



standard, straight, fixed in position

female

male

Color of coding	Application	Marking of poles	Art.No.	Art.No.
■ black	250/400 V with PE	1, 2, 3, PE	97.041.5553.1	97.042.5553.1

female

male



standard, straight, not fixed in position

female

male

Color of coding	Application	Marking of poles	Art.No.	Art.No.
■ black	250/400 V with PE	1, 2, 3, PE	97.041.5053.1	97.042.5053.1

RST50I5, CONNECTOR, 5-POLE

SCREW CONNECTION

TECHNICAL DATA

Rated current:	50 A	Cross section fine-stranded:	4 mm ² - 16 mm ²
Degree of protection (IP):	IP66/67/69	Connection cross section solid:	4 mm ² - 6 mm ²
Terminations per pole:	1	Additional technical data, see facts & data.	
Lockable:	Yes		

female

male



straight, for cables Ø 15-25 mm

female

male

Color of coding	Application	Marking of poles	Art.No.	Art.No.
■ black	250/400 V with PE	1, 2, 3, N, PE	97.051.4053.1	97.052.4053.1

female

male



straight, for cables Ø 20-32 mm

female

male

Color of coding	Application	Marking of poles	Art.No.	Art.No.
■ black	250/400 V with PE	1, 2, 3, N, PE	97.051.4253.1	97.052.4253.1

RST50I5, DEVICE CONNECTOR, M32, 5-POLE

SCREW CONNECTION

TECHNICAL DATA

Rated current:	50 A	Cross section fine-stranded:	4 mm ² - 16 mm ²
Degree of protection (IP):	IP66/67/69	Connection cross section solid:	4 mm ² - 16 mm ²
Terminations per pole:	1	Additional technical data, see facts & data.	
Lockable:	Yes		

female



male



standard, straight, fixed in position

Color of coding	Application	Marking of poles	female Art.No.	male Art.No.
■ black	250/400 V with PE	1, 2, 3, N, PE	97.051.5553.1	97.052.5553.1

female



male



standard, straight, not fixed in position

Color of coding	Application	Marking of poles	female Art.No.	male Art.No.
■ black	250/400 V with PE	1, 2, 3, N, PE	97.051.5053.1	97.052.5053.1

RST50, ACCESSORIES



cover cap

Color

■ black

Art.No.

Z5.567.5653.0



adapter ring, M40

Color

■ black

Art.No.

05.568.1853.0

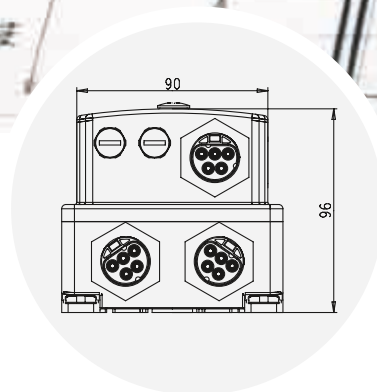
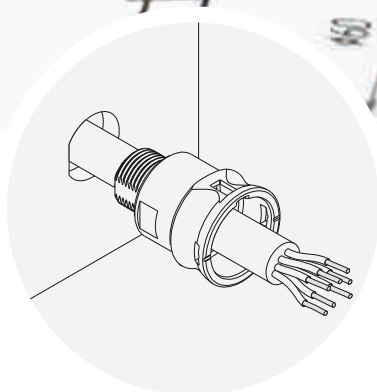
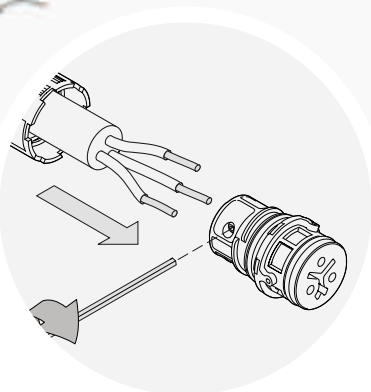


sample case, RST50i5

Art.No.

99.628.0000.0

FACTS & DATA





General notes	168
General technical data	170
Technical data + notes	
RST [®] MICRO	172
RST [®] MINI	178
RST [®] CLASSIC	184
RST [®] POWER	192
RST [®] DISTRIBUTOR	198



GENERAL NOTES

Safety notes

- All components must be installed, commissioned, and serviced only by trained electricians.
- Observe the country-specific regulations for installation.
- Installation connector systems are no substitute for national plug/socket systems for domestic use.
- The connectors are not suitable for current interruption. Never remove or insert the connector under load.
- Connectors with dissimilar voltages must not be joined.
- Potentially-hazardous interchangeability with installation connector systems of other manufacturers is not automatically ruled out through compliance with DIN VDE 0606 T200 or IEC 61535.

Installation notes

- According to the directive, voltage carrying part must be a female connector.
Mounting of a ring line with standards-compliant design therefore not possible.
- The connectors must be protected from bending forces by further measures (e.g. no loads suspended from cables; cable rewinds not hanging freely, etc.).
- Choose a horizontal installation position to ensure water drains away. In accordance with installation regulation IEC 60364-5-52 (DIN VDE 0100-522.3), cable systems must be designed in such a way that damage caused by the ingress of water is avoided.
- Cable and conductor systems must conform to the required protection rating. If water can accumulate or condense, precautions to ensure water drainage must be taken. This applies in particular for the sealing points in the strain relief area.
- If abrasion is possible (flexible installations), cable assembly wear must be taken into account and monitored.
- Avoid kinking the cable in the strain relief area. Minimum bending radii must be respected.
- Absorption of mechanical bending movements in the strain relief area through suitable measures (e.g. cable clamps).
- For connectors with contact seals: Use only one connector with contact sealing, either male or female connector.
- To guarantee compliance with the IP protection rating, cover caps (accessories) must be mounted on all unassigned male or female connectors.
- IEC 60364-5-52 must be respected (refer also to the White Paper "Electrical installations for outdoor areas", Order No. 0693.0).

Other important notes

- Protection against contact with live parts generally guaranteed, even in the unmated condition.
- For connectors with yellow/green conductor: The connectors are designed such that the yellow/green conductor contact is always leading.
- All components can be locked together.
- The contacts are protected to prevent tensile load on the cable. If the connector is placed under an unusually high tensile load, it will disengage to prevent the wires being pulled out of the contacts and causing a hazard (except RST® POWER).
- The connector system is not designed for permanent operation under water. Unscheduled immersion is, however, possible within the specification.
- Installing the system components directly in the ground is not envisaged. According to VDE 0100-520, connectors must be protected using suitable additional facilities and must be accessible for visual inspection, testing, and maintenance.
- Can be connected only when polarity is correct; 1-pole not contactable.
- 2-pole connectors are in 3-pole housings, one pole is unassigned.
- 4-pole connectors are in 5-pole housings, one pole is unassigned.
- 6-pole connectors are in 7-pole housings, one pole is unassigned.
- No general suitability of RST® products in chlorine-containing environments. Recommendation for the use of components with screw or crimp connection.
- Suitability for use in aggressive environments (ammonia, ozone, salty air) must be inquired about separately.



GENERAL TECHNICAL DATA

Cable assemblies

Versions of the free ends:

	Sheath strip length	Wire strip length
RST standard	35 mm	9 mm
RST20i2 pole socket	300 mm	9 mm
RST20i3 pole socket	300 mm	9 mm

Overview of wire colors and pole configurations

RST08i2	
black	1 = brown, 2/N = blue
pebble gray, slate gray	1 = blue, 2 = brown
light blue	1 = blue, 2/N = brown
RST08i3	
black	1 = brown, 2/N = blue, PE = green / yellow
pebble gray	1 = blue, 2 = brown, PE = green / yellow
RST16i2	
black	N = blue, L = brown
signal brown	1 = blue, 2 = brown
RST16i3	
black	L = brown, N = blue, PE = yellow / green
RST16i5	
black	1 = brown, 2 = black, 3 = gray, N = blue, PE = yellow / green
turquoise	1 = gray, 2 = black, L = brown, N = blue, PE = yellow / green
RST 20i2	
black	N = blue, L = brown
signal brown	1 = blue, 2 = brown
pebble gray	- = blue, + = brown
RST 20i3	
black	L = brown, N = blue, PE = yellow / green
leaf green	1 = brown, 2 = blue, PE = green / yellow
light blue	1 = black, 2 = gray, 3 = brown
RST20i4	
black	1 = brown, 2 = black, 3 = blue, PE = yellow / green
RST20i5	
black, light gray	1 = brown, 2 = black, 3 = gray, N = blue, PE = yellow / green
turquoise	D1 = gray, D2 = black, L = brown, N = blue, PE = yellow / green
RST25i3	
Concrete gray	L = brown, N = blue, PE = yellow / green
RST25i5	
Concrete gray	1 = brown, 2 = black, L = gray, N = blue, PE = yellow / green



i This pole configuration is also our recommendation for the connector / device connector interface executed by the customer.



RST[®] MICRO TECHNICAL DATA

	RST08i2/i3
Rated voltage	250/400 V
Rated current	8 A
Number of poles	2- or 3-pole
Connectable cable diameter*	4 - 7 mm
Connector temperature range	- 40 °C to +100 °C
Material	Contact parts: Brass, surface-treated housing parts: Polyamide, halogen free, V0, f1 Sealing material: NBR
Pollution degree	3 (when connected)
Protection rating	IP66/68 (3m; 2h)/69 barrier seal optional
Certificates / approvals	VDE (to IEC 61984), in preparation: cULus, LR, DNV/GL, RINA, BV

*Other diameters on request

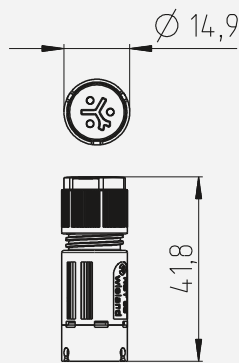
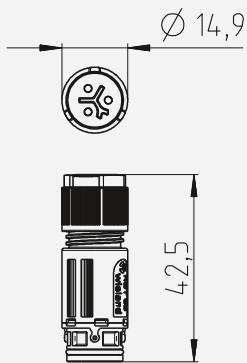
RST[®] MICRO DIMENSIONS

RST08i2/i3

CONNECTORS

female

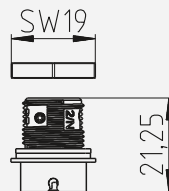
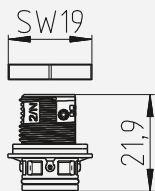
male



DEVICE CONNECTOR

female

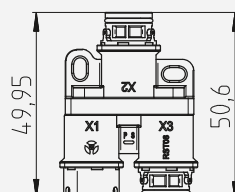
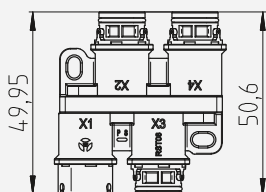
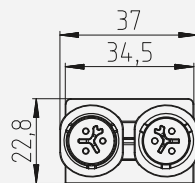
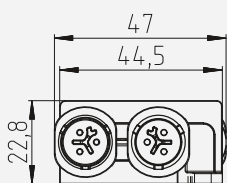
male



DISTRIBUTORS

1E / 3A

1E / 2A



NOTE: The drawing for your product can be found in the Download area of the relevant Art.No. at eshop.wieland-electric.com



RST[®] MICRO CABLE PREPARATION

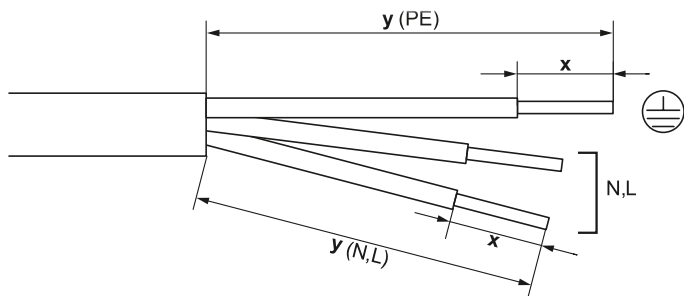
Connectable cable cross-sections

Cable	Solid	Fine-wired, no cable end sleeve	Fine-wired, with cable end sleeve
Screw connection	0.2 - 1.0 mm ²	0.22 - 1.0 mm ²	0.22 - 0.50 mm ²

i RST[®] terminals with screw clamping allow the connection of conductors without special preparation according to EN 60999-1.

Sheath strip and wire strip lengths

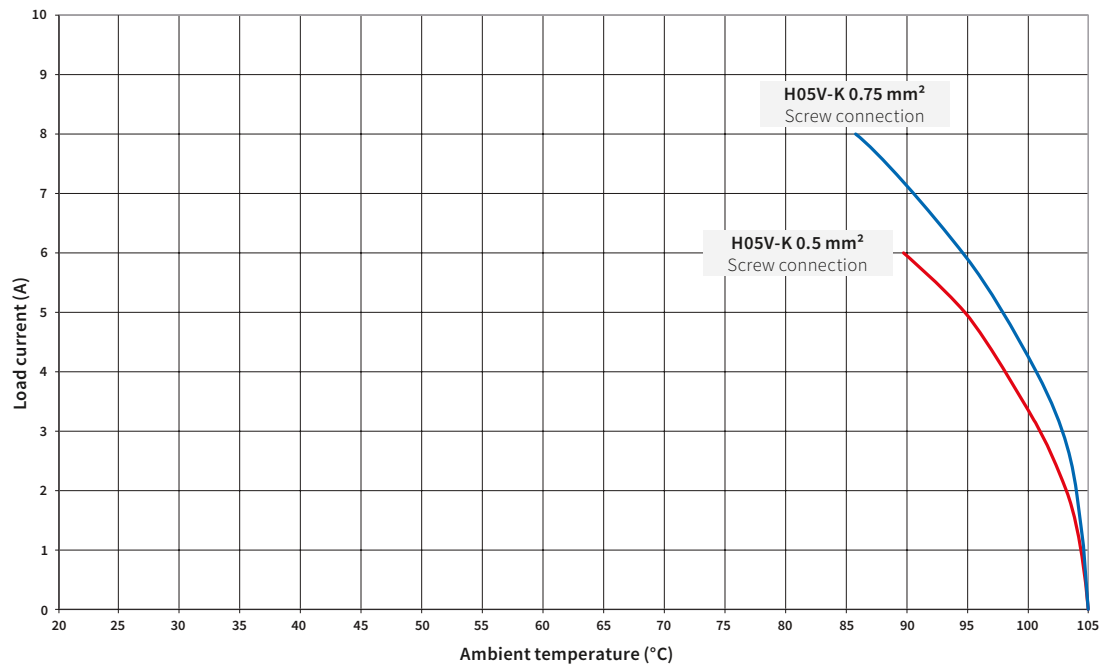
Cable	PE	N, L
Sheath strip length y	19	18
Wire strip length x	6	6



RST[®] MICRO DERATING CURVES

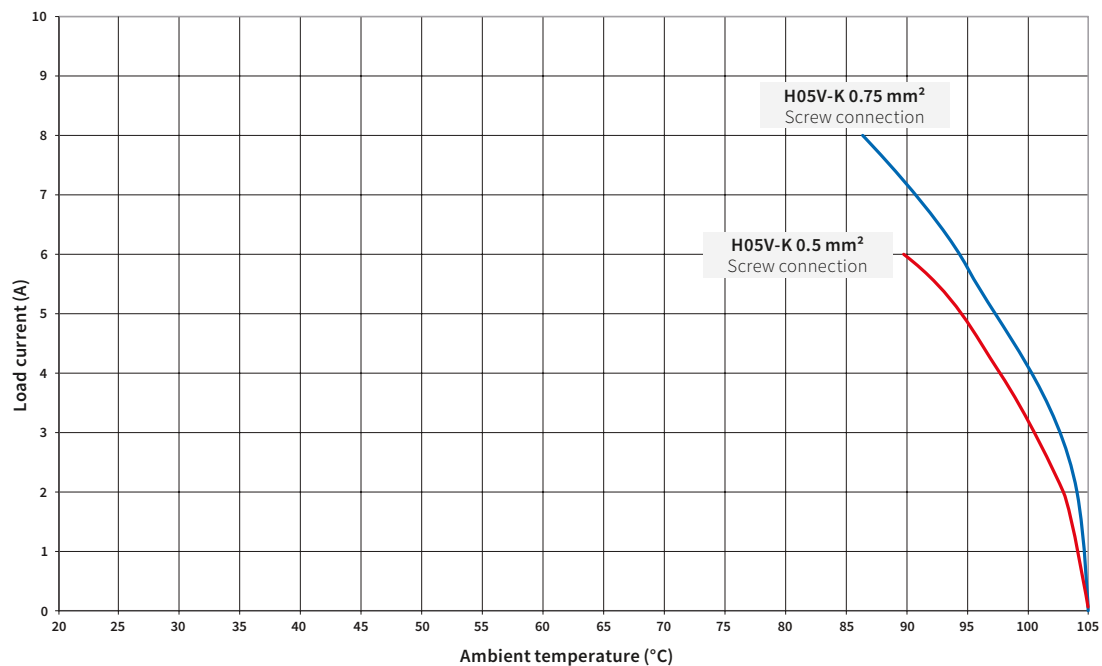
RST08i2 (no contact sealing)

Derating curve to DIN EN 60512 Part 5-2; Test 5b



RST08i2 (with contact sealing)

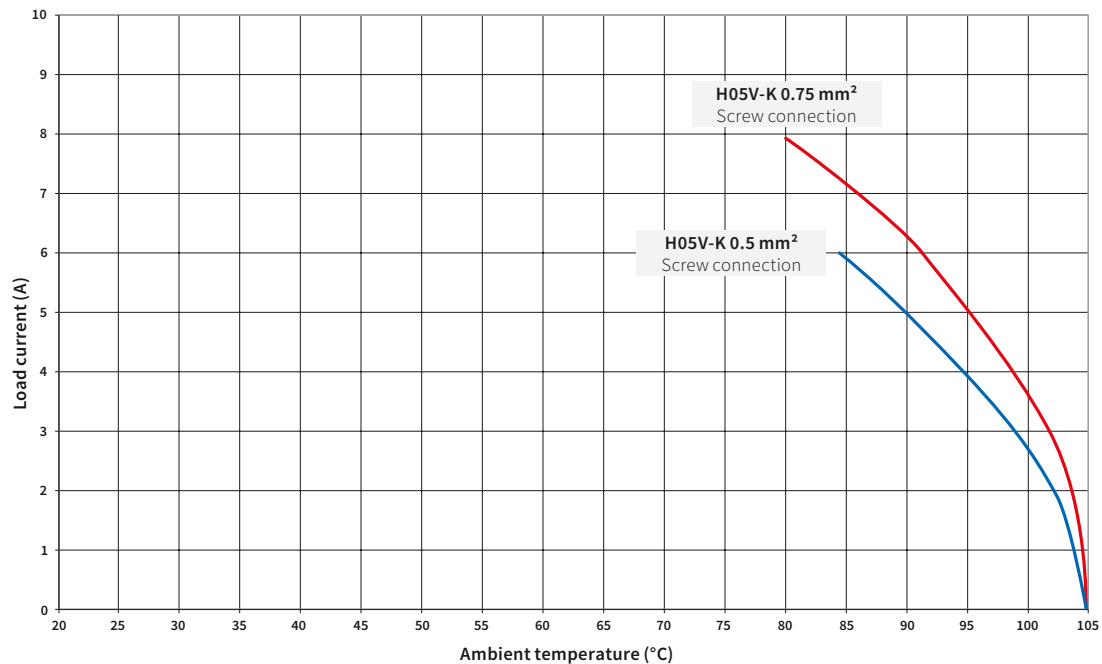
Derating curve to DIN EN 60512 Part 5-2; Test 5b



RST[®] MICRO DERATING CURVES

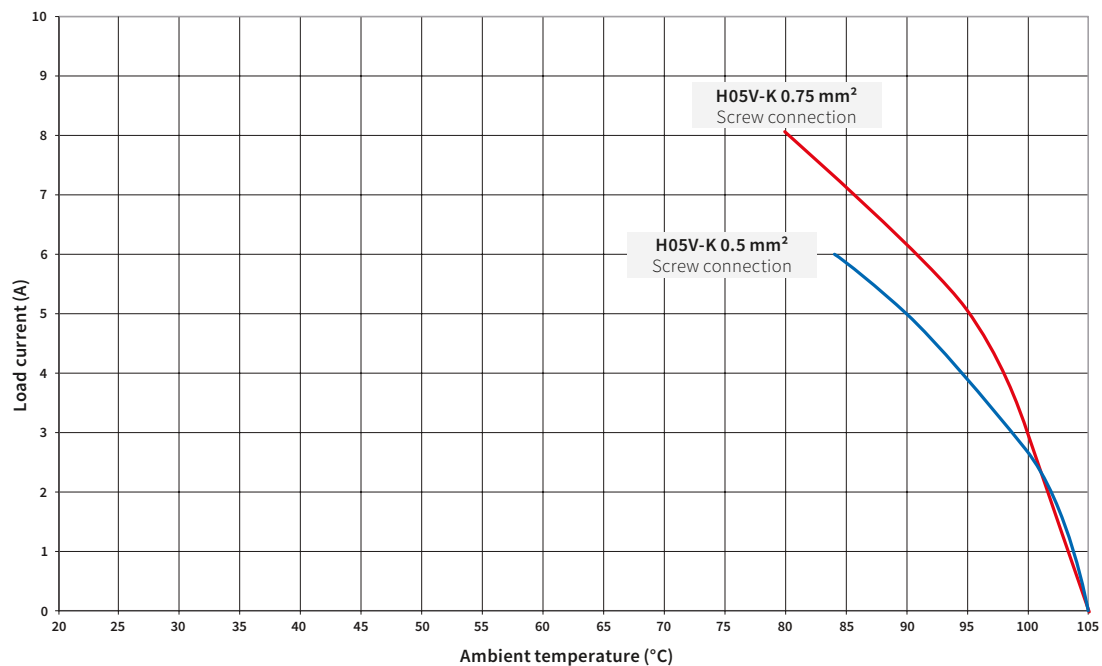
RST08i3 (no contact sealing)

Derating curve to DIN EN 60512 Part 5-2; Test 5b



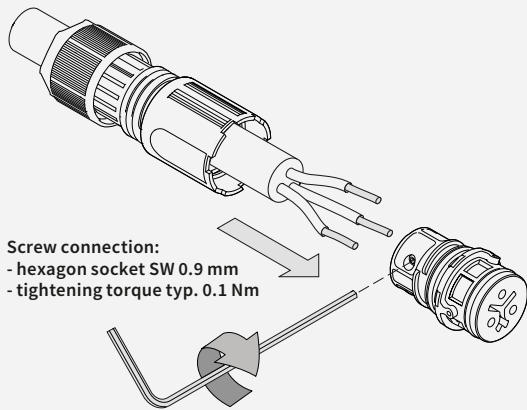
RST08i3 (with contact sealing)

Derating curve to DIN EN 60512 Part 5-2; Test 5b



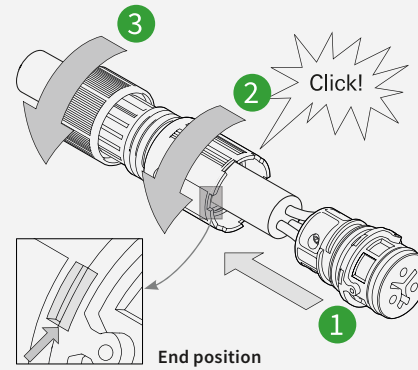
RST® MICRO ASSEMBLY INSTRUCTION

CABLE ASSEMBLY

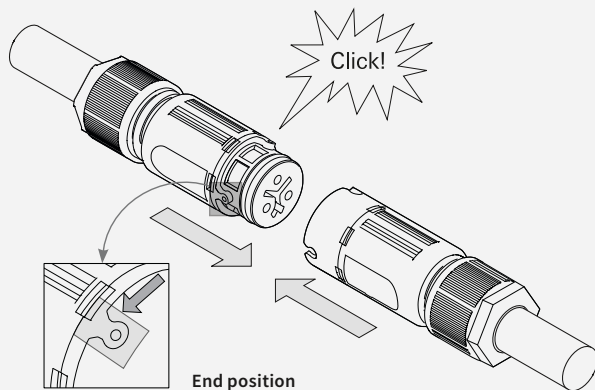


CLOSING THE CONNECTOR

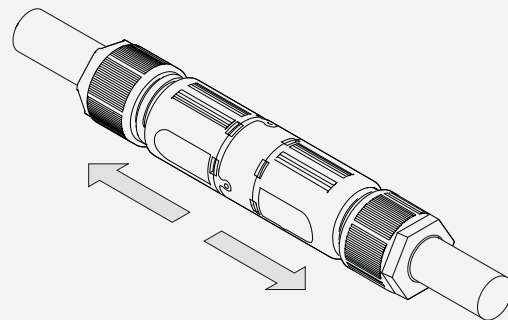
Gland nut gripping sleeve (3): Tightening torque typ. 0.8 Nm.



INSERT AND LOCK

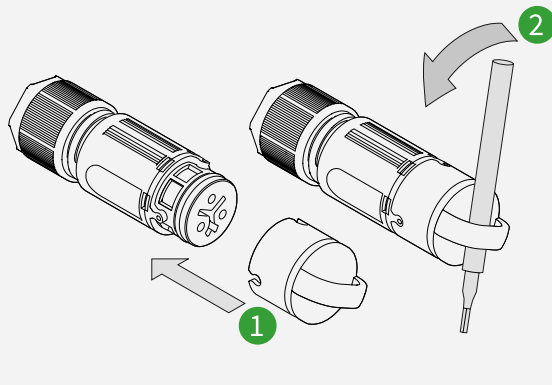


UNLOCK AND DISCONNECT



OPENING THE CONNECTOR

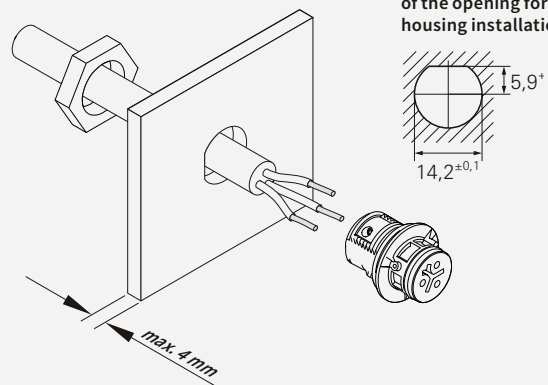
The cover cap makes the connector easier to open.



HOUSING INSTALLATION WITH M14 CABLE FEED THROUGH

Nut: Tightening torque typ. 0.7 Nm.

Dimension drawing of the opening for housing installation.



i Proceed in the same way for 2 and 3-pole connectors.
Observe the pole configuration.

NOTE: Please note that electrical connections and installations must be carried out only by appropriately trained specialists.
The Assembly instructions accompanying the product must be observed! The relevant Assembly instruction BA001157 can be found online in the download area of the product concerned: eshop.wieland-electric.com

RST[®] MINI TECHNICAL DATA

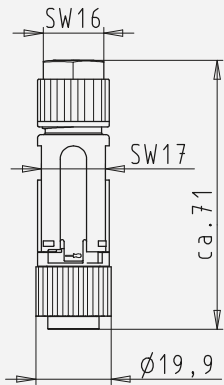
	RST16i2/i3	RST16i4/i5
Rated voltage	250/400 V	250/400 V
Rated current	16 A	16 A
Number of poles	2- or 3-pole	4- or 5-pole
Connectable cable diameter*	5.0 - 9.5 mm	7.1 - 13 mm
Connector temperature range	- 40 °C to 100 °C	
Material	Contact parts: Brass, surface-treated Housing parts: Polyamide, halogen-free, V2 Sealing material: NBR	
Pollution degree	3 (when connected)	
Protection rating	IP66/68 (3m; 2h)/69	
IK code	IK07 (2 joules)	
Mating cycles	according to IEC 61535 100x without load and 50x under nominal load (cos phi = 0.6)	
Certificates / approvals	VDE (IEC 61535), UL (UL 2238), CSA (C22.2 No.182.1 / C22.2 No.182.3), RINA, LR, DNV/GL, BV	

*Other diameters on request

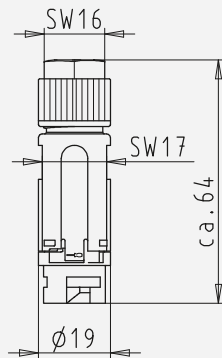
RST[®] MINI DIMENSIONS

RST16i2/13

CONNECTOR
female

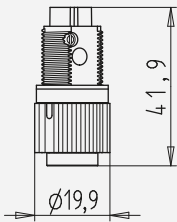
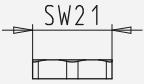


male

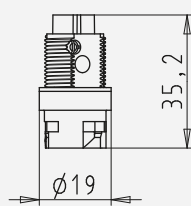
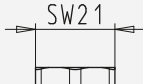


DEVICE CONNECTOR

female

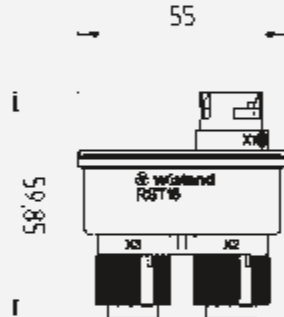


male



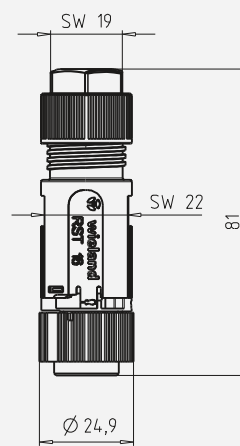
DISTRIBUTOR

1E/2A

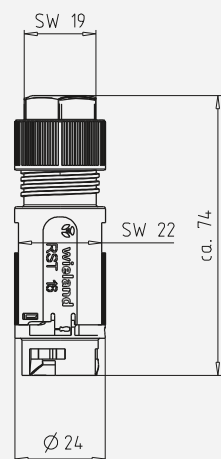


RST16i4/15

CONNECTOR
female

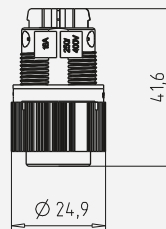
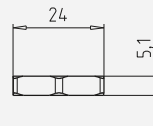


male

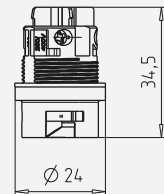
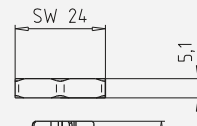


DEVICE CONNECTOR

female

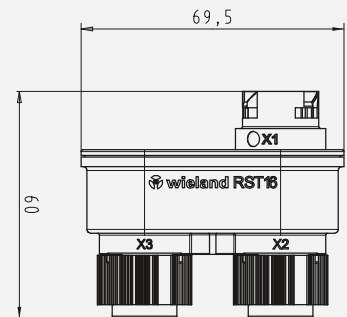
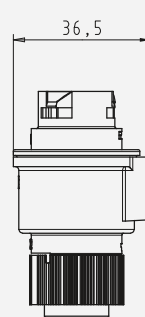


male



DISTRIBUTOR

1E/2A



NOTE: The drawing for your product can be found in the Download area of the relevant Art.No. at eshop.wieland-electric.com

RST® MINI CABLE PREPARATION

Connectable cable cross-sections

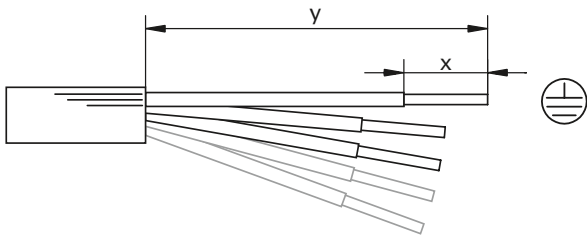
RST16i2/i3	Solid	Fine-wired, no cable end sleeve ¹⁾	Fine-wired, with cable end sleeve
Screw connection	0.2 - 2.5 mm ²	0.25 - 1.5 mm ²	0.25 - 1.0 mm ²
RST16i4/i5	Solid	Fine-wired, no cable end sleeve	Fine-wired, with cable end sleeve
Screw connection	0.2 - 2.5 mm ²	0.25 - 2.5 mm ²	0.25 - 1.5 mm ²

i The RST® range of screw terminal connections is suitable for connecting unprepared cables to EN 60999-1.

⚠ 1) From 01.07.2020: The maximum connectable cross-section of all connectors and device connections of the RST® MINI series is extended to 2.5 mm² for fine-wired cables without no cable end sleeves.

Sheath strip and wire strip lengths

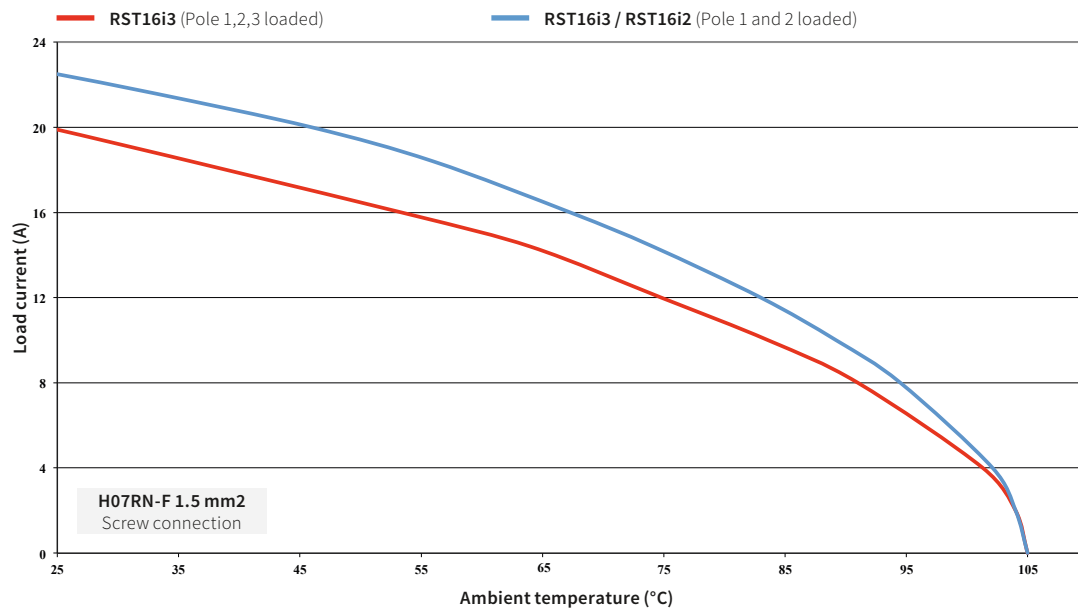
Cable	PE	N, L, 1, 2, 3
Sheath strip length y	30	25
Wire strip length x	8	8



RST[®] MINI DERATING CURVES

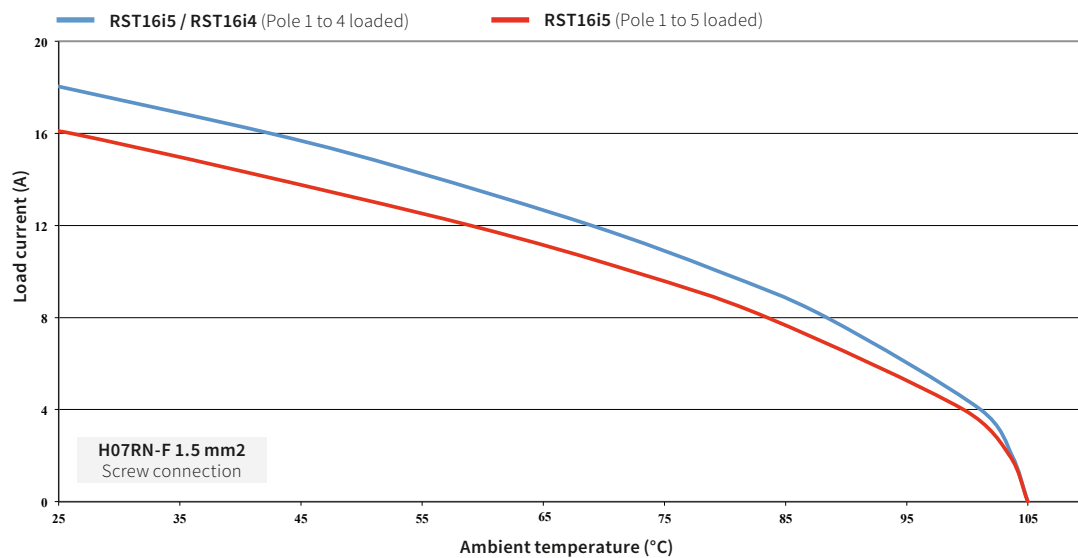
RST16i2/RST16i3

Derating curve to DIN EN 60512-2, Date: 2003-1



RST16i4/RST16i5

Derating curve to DIN EN 60512-2, Date: 2003-1

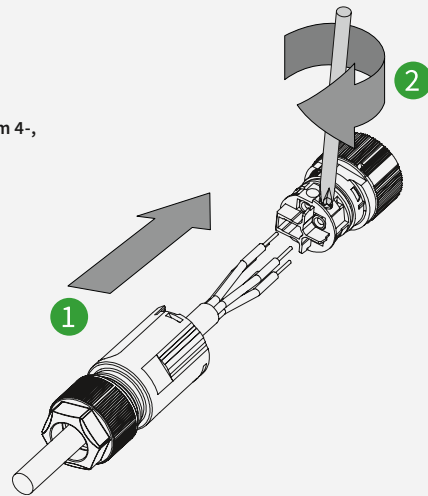


RST® MINI ASSEMBLY INSTRUCTION

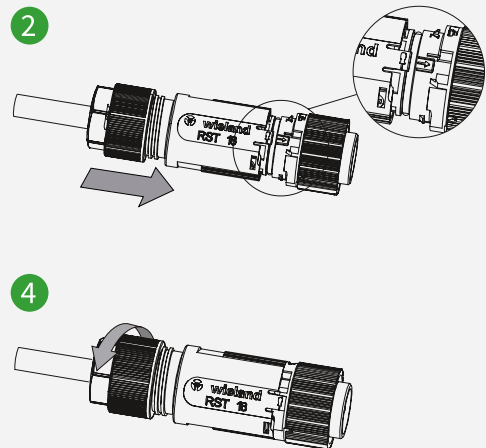
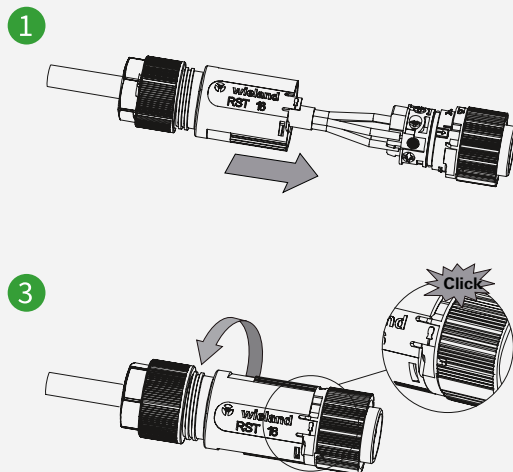
CABLE ASSEMBLY

Screw connection:

- Blade DIN 5264 A, ground
- Drive PZ1
- Tightening torque: 2-, 3-pole: 0.4 Nm 4-, 5-pole: 0.5 Nm



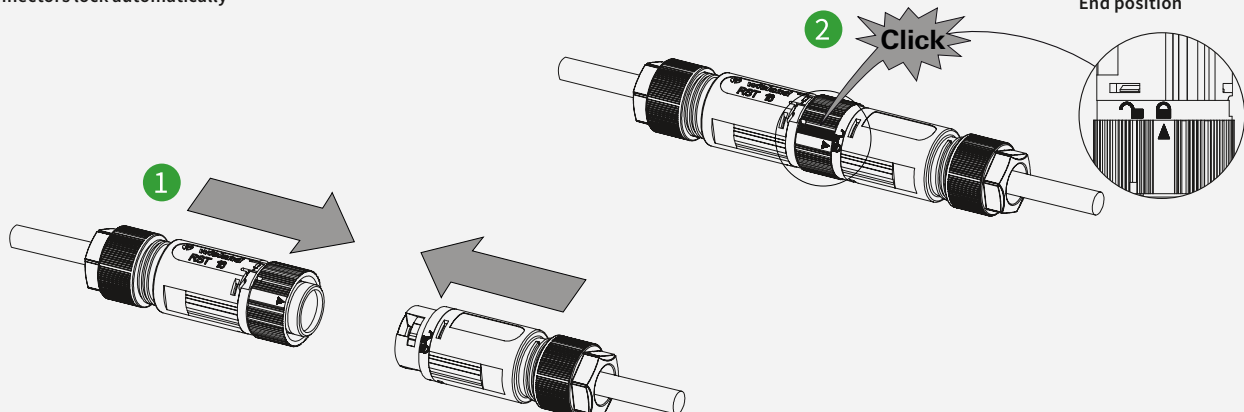
CLOSING THE CONNECTOR



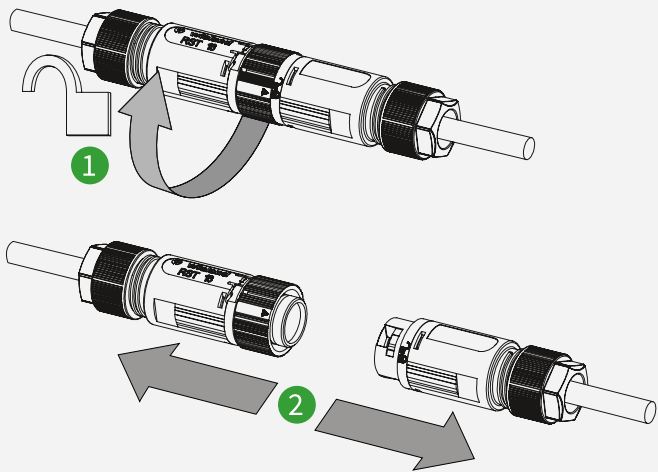
Gland nut:
- tightening torque typ. 1.5 - 2 Nm

INSERT AND LOCK

Connectors lock automatically

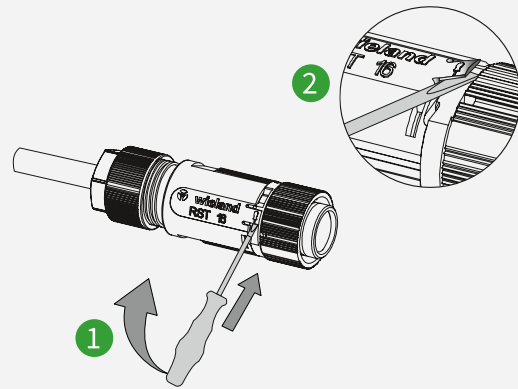


UNLOCK AND DISCONNECT



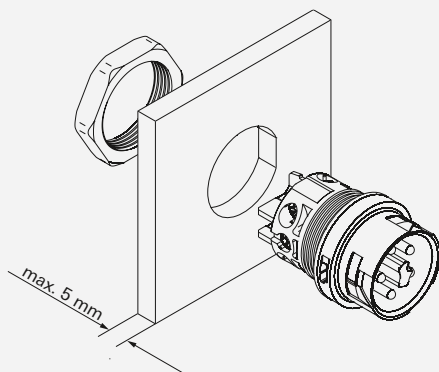
OPENING THE CONNECTOR

Screwdriver: Blade DIN 5264 A, ground

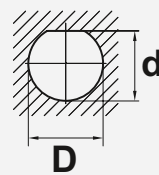


HOUSING INSTALLATION

Nut: Tightening torque typ. 1.5 Nm



Dimension drawing of the opening for housing installation.



	D (mm)	d (mm)
2-, 3-pole	16.2 ^{±0.1}	14.6 ^{±0.1}
4-, 5-pole	20.4 ^{±0.1}	19.4 ^{±0.1}

i Proceed in the same way for 2 to 5-pole connectors. Observe the pole configuration.



NOTE: Please note that electrical connections and installations must be carried out only by appropriately trained specialists. The Assembly instructions accompanying the product must be observed! The relevant Assembly instruction BA000960 can be found online in the download area of the product concerned: eshop.wieland-electric.com

RST® CLASSIC TECHNICAL DATA

	RST20i2/i3	RST25i3	RST20i4/i5	RST25i5	RST20i6/i7
Rated voltage	250/400 V	250 V	250/400 V	250/400 V	250/400 V
Rated current	20 A	25 A 32 A (at 6.0 mm ²)	20 A	25 A 32 A (at 6.0 mm ²)	20 A (3x20 A; 4x5 A) no pole specification
Number of poles	2- or 3-pole	3-pole	4- or 5-pole	5-pole	6- or 7-pole
Connectable cable diameter*	6.0 - 10.0 mm; 10.0 - 14.0 mm; 13.0 - 18.0 mm				
Temperature range:	Connector - 40 °C to 100 °C Cable H05VV max 70 °C, H07RN-F max. 60 °C, H07 RN-F enhanced 90 °C				
Material	Contact parts: Brass, surface-treated housing parts: Polyamide, halogen-free, V2 Sealing material: NBR				
Pollution degree	3 (when connected)				
Protection rating	IP66 / 68 (3m; 2h) / 69, barrier seal for RST20i6/7 optional Cable assembly as a shrink hose variant IP66/ 68 (3m; 2h) The installation instructions must be followed (refer also to the White Paper "Electrical installation for outdoor areas" Order No. 0693.1)				
IK code	IK 07 (2 joules)				
Glow-wire test	RST20i2-i5/RST25i3/i5: at 850 °C, 30 s RST20i6/i7: at 960 °C, 30 s for connectors, distributors, cable assemblies and device connectors				
Mating cycles	100 x without load and 50 x under nominal load (cos w = 0.6) to IEC 61535 Up to 5,000 mating cycles for RST20i2/3 / RST25i3 and 3,000 mating cycles for RST20i4/5 / RST25i5 are possible without load. After approx. 600 mating cycles, the seal should however be tested and re-greased with a suitable lubricant (e.g. Berulub FR 43 UV) if required.				
Certificates / approvals	VDE; TÜV Rheinland; LR; GL / DNV; RINA; BV; ATEX; IECEX; cULus; CSA***; UL** (Observe conditions of acceptability) ** No cable assemblies in shrink hose design and connectors in spring force design *** No cable assemblies in shrink hose design				
Directives	IEC 61535 (VDE 0606); DIN EN 61984 (VDE 0627); VDE 0110/IEC 60999: UL 2238; CSA: C22.2 No.182.2-M1987; LR Type Approval System2 PFG 1915				

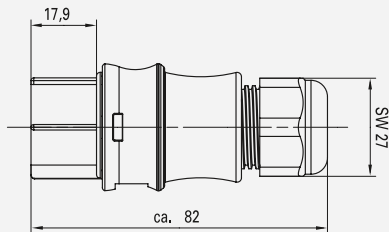
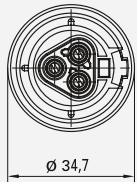
*Other diameters on request

RST[®] CLASSIC DIMENSIONS

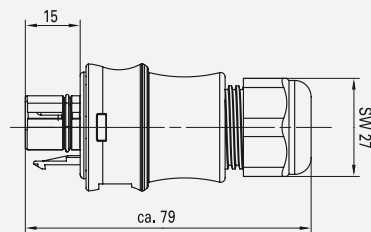
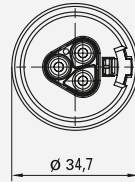
RST20i2 - i7

CONNECTORS

female

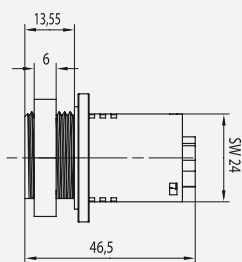
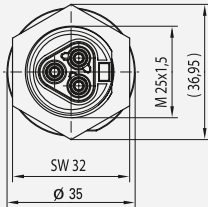


male

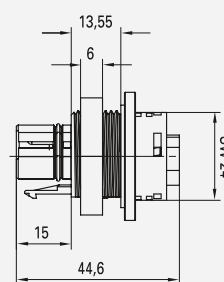
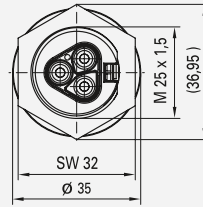


DEVICE CONNECTOR

female

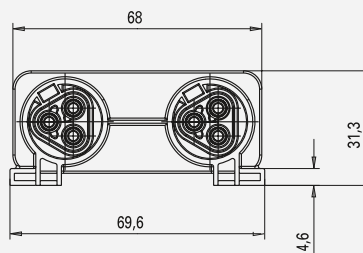
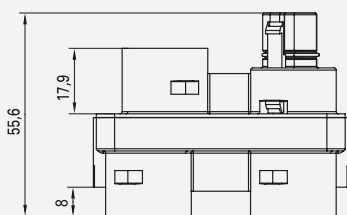


male



DISTRIBUTORS

1E / 3A



NOTE: Example illustration based on RSTi3 version.

The drawing for your product can be found in the download area of the relevant Art.No. at eshop.wieland-electric.com



RST® CLASSIC CABLE PREPARATION

Connectable cable cross-sections

	Solid	Fine-wired, no cable end sleeve	Fine-wired, with cable end sleeve	Multi-stranded	ultrason. welded
RST20i2/i3/25i3					
Screw connection	0.75 - 6 mm ²	0.75 - 6 mm ²	0.75 - 4 mm ²	0.75 - 6 mm ² / AWG 20 - 14	-
Crimp connection ¹⁾	-	0.75 - 4.0 mm ²	-	AWG 10 - 16	-
Spring force	0.5 - 2.5 mm ² / AWG 20 - 14	-	0.5 - 1.5 mm ² / AWG 20 - 16	0.75 - 1.5 mm ² / AWG 20 - 16	0.75 - 2.5 mm ²
RST20i4/i5/25i5					
Screw connection	0.75 - 4 mm ² / AWG 14 - 18	0.75 - 4 mm ²	0.75 - 2.5 mm ²	0.75 - 4 mm ² / AWG 14 - 18	-
Crimp connection ¹⁾	-	0.75 - 4 mm ²	-	AWG 12 - 18	-
RST20i6/i7					
Screw connection	Connectors 0.2 - 1.5 mm ² Device connector 0.2 - 2.5 mm ²	0.2 - 2.5 mm ²	0.2 - 1.5 mm ²	0.2 - 2.5 mm ² / AWG 14 - 20	-
Crimp connection ¹⁾	-	0.2 - 2.5 mm ²	-	-	-

For spring forces, please use the following cable end sleeves. These can be found in RST® CLASSIC accessories.

Cable cross-section	Ferrule
0.5 mm ²	DIN 46228-E0.5-10
0.75 mm ² / AWG 20	DIN 46228-E0.75-12
1 mm ² / AWG 18	DIN 46228-E1.0-12
1.5 mm ² / AWG 16	DIN 46228-E1.5-12

i RST® terminals with screw clamping allow the connection of conductors without special preparation according to EN 60999-1.

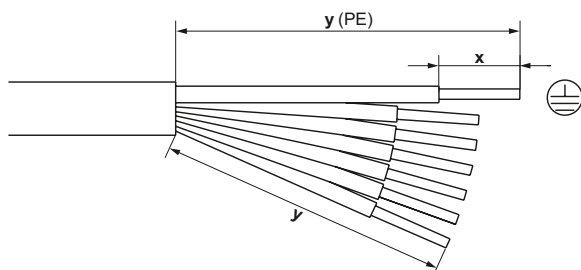
1) Crimp contacts must always be ordered separately to the connector. The range of crimp contacts can be found in RST® CLASSIC accessories.

RST20i7/i6:

2) Restriction of the connection section range for fine-wired cables, when using connectors with the following strain reliefs.
- Double connection: 0.2 - 0.75 mm²
- straight, for cables Ø 6 - 10 mm and Ø 10 - 14 mm: 0.2 - 1.5 mm²

Sheath strip and wire strip lengths

RST20i2/i3/25i3	straight Ø 6 - 10 mm, Ø 10 - 14 mm		straight Ø 13 - 18 mm		square Ø 6 - 10 mm, Ø 10 - 14 mm		splitter connector Ø 6 - 10 mm, Ø 10 - 14 mm, Ø 13 - 18 mm		
	y (PE)	y	y (PE)	y	y (PE)	y	2-pole y	3-pole y (PE)	y
Screw connection	31.5 mm	26.5 mm	42 mm	37 mm	31.5 mm	26.5 mm	42 mm	45.5 mm	40.5 mm
Spring connection	40 mm	35 mm	-	-	40 mm	35 mm	-	55 mm	50 mm
Crimp connection	42 mm	37 mm	57 mm	52 mm	42 mm	37 mm	-	-	-
RST20i4/i5/25i5	straight Ø 6 - 10 mm, Ø 10 - 14 mm		straight Ø 13 - 18 mm		square Ø 6 - 10 mm, Ø 10 - 14 mm		splitter connector Ø 6 - 10 mm, Ø 13 - 18 mm		
Cable	y (PE)	y	y (PE)	y	y (PE)	y	y (PE)	y	
Screw connection	31.5 mm	26.5 mm	42 mm	37 mm	31.5 mm	26.5 mm	45.5 mm	40.5 mm	
Crimp connection	42 mm	37 mm	49 mm	44 mm	42 mm	37 mm	-	-	
RST20i6/i7	straight Ø 6 - 10 mm, Ø 10 - 14 mm		straight Ø 13 - 18 mm		square Ø 6 - 10 mm, Ø 10 - 14 mm		splitter connector Ø 6 - 10 mm, Ø 13 - 18 mm		
Cable	y (PE)	y	y (PE)	y	y (PE)	y	y (PE)	y	
Screw connection	30 mm	25 mm	42 mm	37 mm	30 mm	25 mm	45 mm	40 mm	
Crimp connection	37 mm	32 mm	44 mm	39 mm	37 mm	32 mm	-	-	

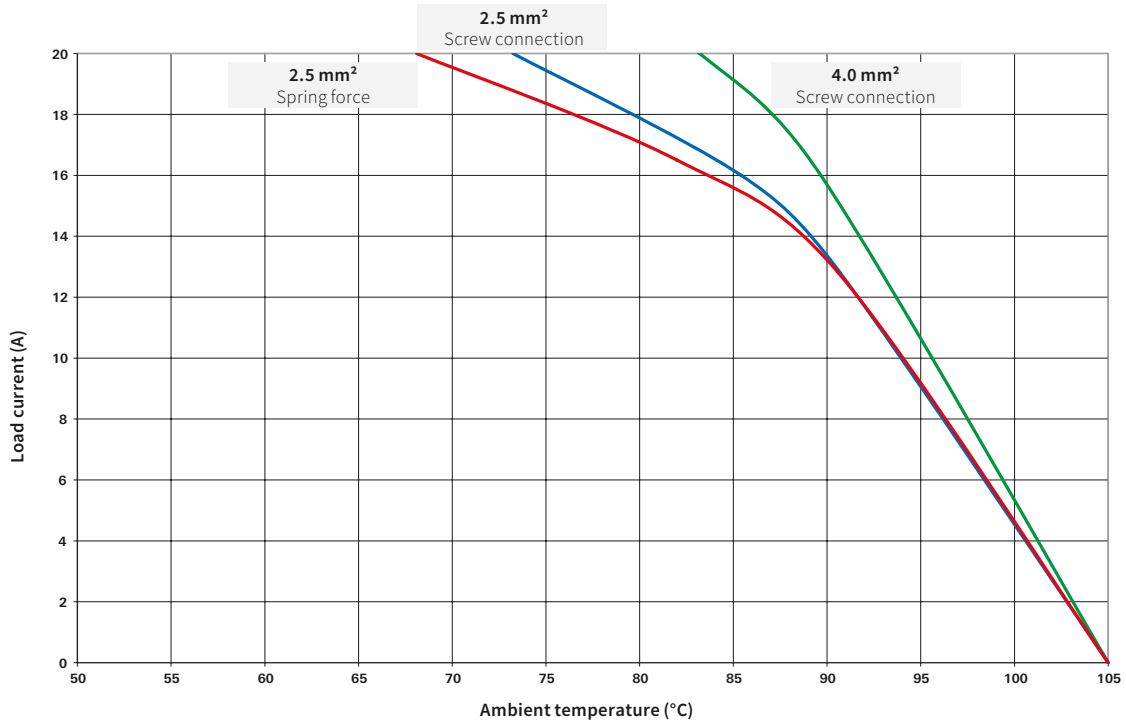




RST[®] CLASSIC DERATING CURVES

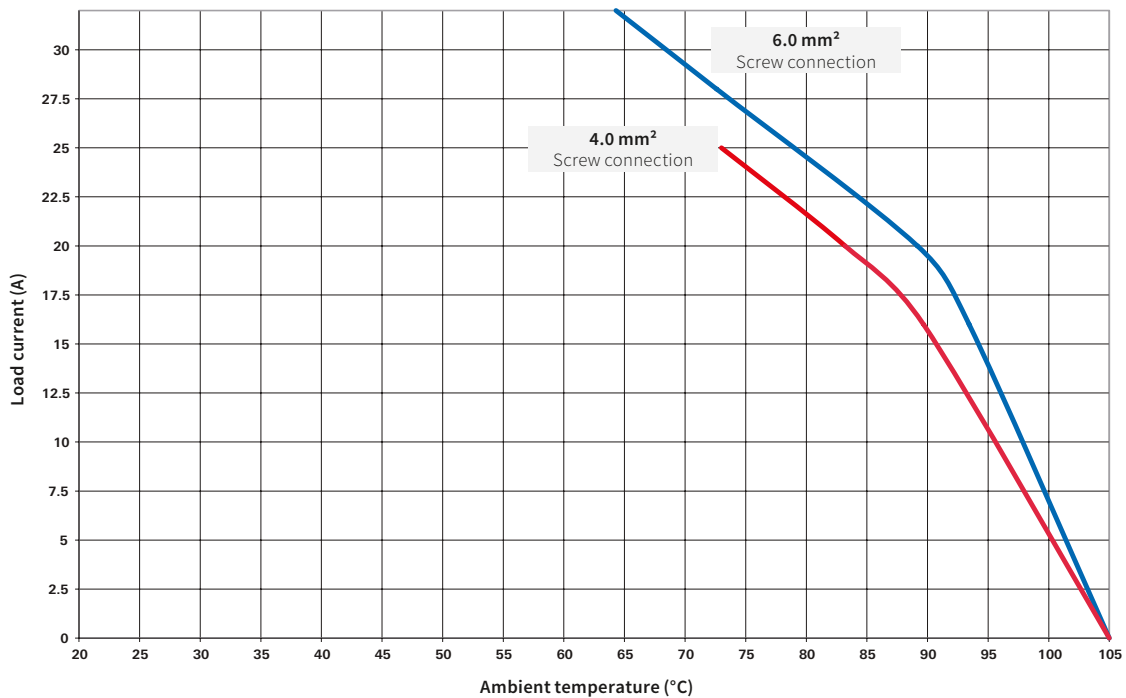
RST20i3 (Screw connection - spring force)

Derating curve to IEC 61984 Edition 2 dated 10/2008 Sec. 7.3.8



RST25i3 (screw connection)

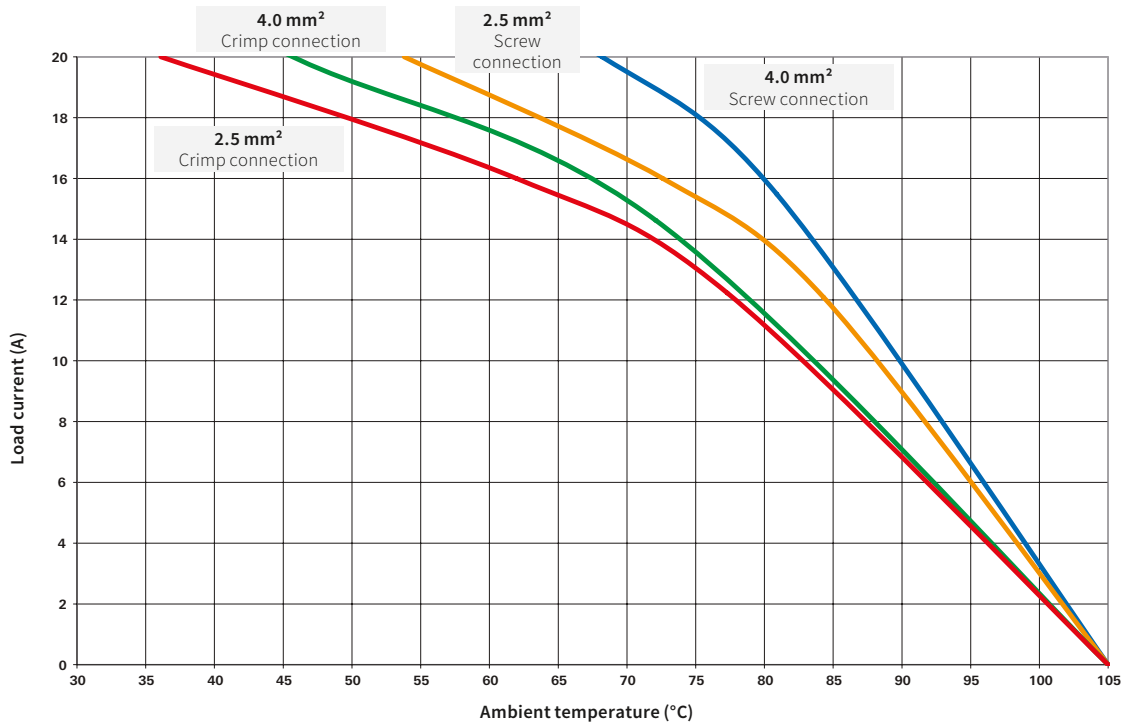
Derating curve to IEC 61984 Edition 2 dated 10/2008 Sec. 7.3.8



RST[®] CLASSIC DERATING CURVES

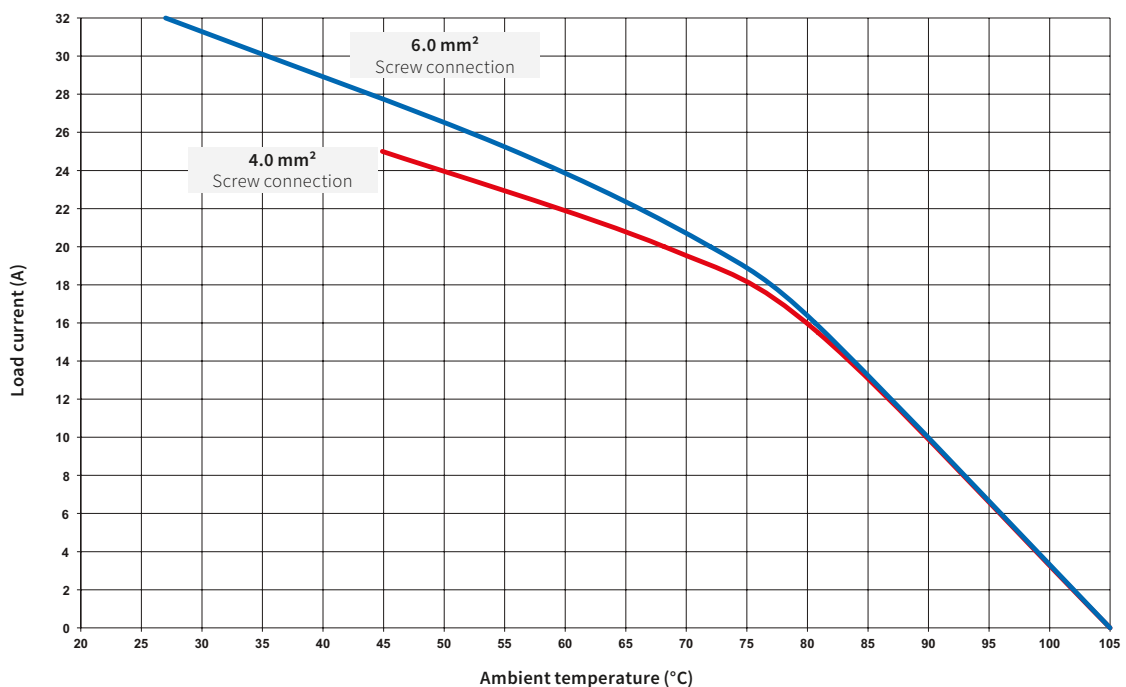
RST20i5 (screw connection – crimp connection)

Derating curve to IEC 61984 Edition 2 dated 10/2008 Sec. 7.3.8



RST25i5 (screw connection)

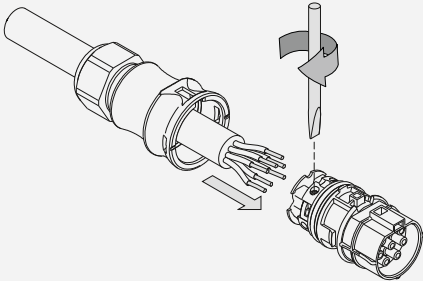
Derating curve to IEC 61984 Edition 2 dated 10/2008 Sec. 7.3.8



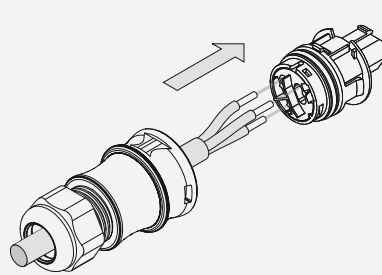
RST® CLASSIC ASSEMBLY INSTRUCTION

CABLE ASSEMBLY

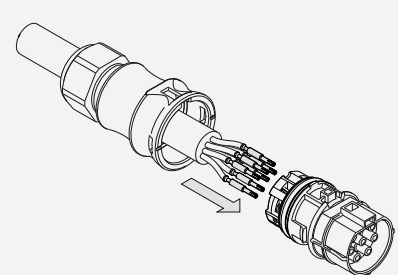
Screw connection



Spring force

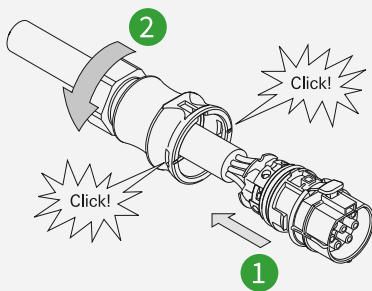


Crimp connection



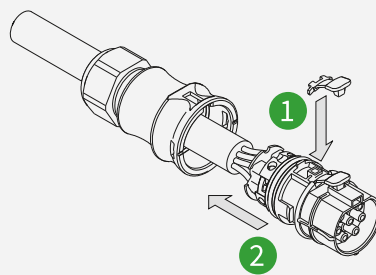
Number of poles	Torque	Screwdriver
RST20i2/i3	0.8 - 1 Nm	PZ1
RST20i4/i5	0.5 - 7 Nm	PZ1
RST20i6/i7	Type 0.5 Nm	DIN 5264 A, ground 0.8 × 3.0 mm

CLOSING THE CONNECTOR



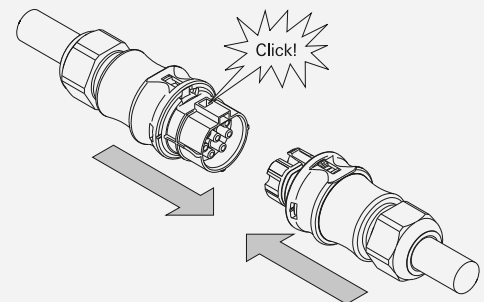
Tightening torque
typ. 4+1 Nm

OPTIONAL: USE THE MANUAL UNLOCKING FUNCTION



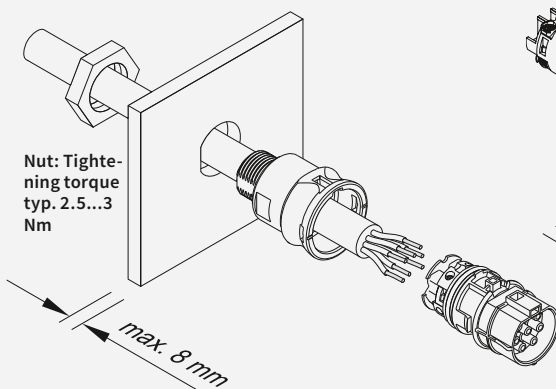
Manual
unlocking seat

INSERT AND LOCK



DEVICE CONNECTOR

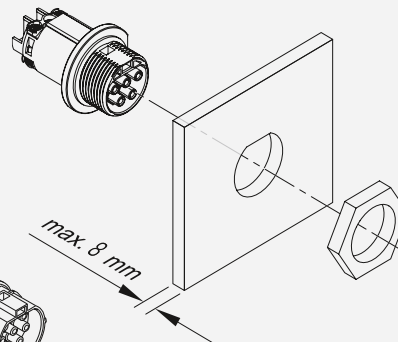
Modular with M16, M20, M25 cable feed through



Nut: Tightening torque
typ. 2.5...3 Nm

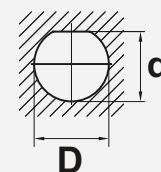
max. 8 mm

One-piece with M25 cable feed through



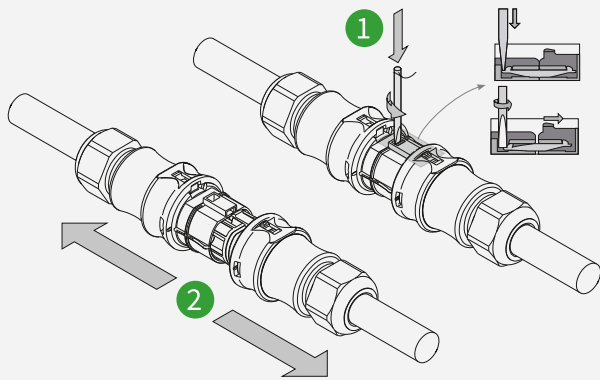
max. 8 mm

Dimension drawing of the opening for housing installation when anti-twist protection is required

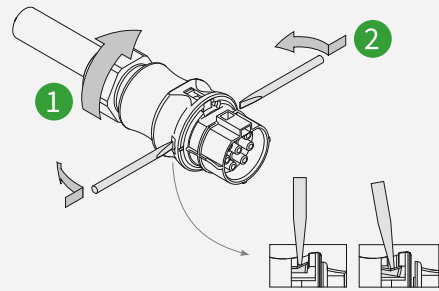


	D (mm)	d (mm)
M16	16.4 ^{-0.2}	15.0 ^{-0.2}
M20	20.4 ^{-0.2}	19.0 ^{-0.2}
M25	25.4 ^{-0.2}	23.9 ^{-0.2}

UNLOCK AND DISCONNECT

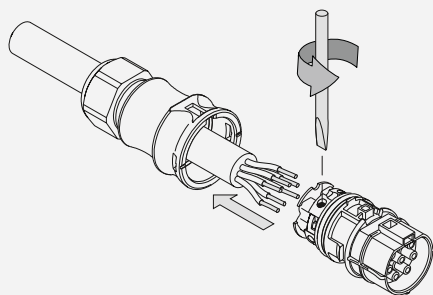


OPENING THE CONNECTOR

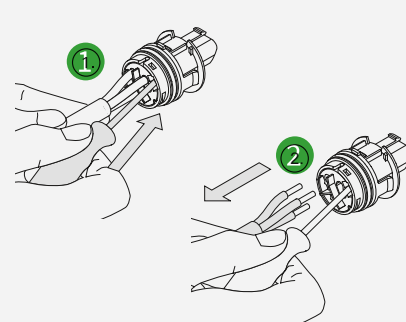


CABLE REMOVAL

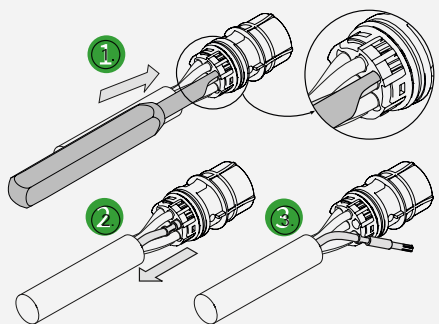
Screw connection



Spring force



Crimp connection



i Proceed in the same way for 2 to 7-pole connectors.
Observe the pole configuration.



NOTE: Please note that electrical connections and installations must be carried out only by appropriately trained specialists.
The Assembly instructions accompanying the product must be observed! The relevant Assembly instruction can be found online
in the download area of the product concerned: eshop.wieland-electric.com

RST® POWER TECHNICAL DATA

	RST50i4/i5
Rated voltage	250/400 V
Rated current	50 A
Number of poles	4 and 5-pole
Connectable cable diameter*	15 - 25 mm; 20 - 32 mm
Material	Contact parts: Brass, surface-treated housing parts: Polyamide, halogen-free, V2 Sealing material NBR, TPE
Pollution degree	3 (when connected)
Protection rating	IP66/67/69
IK code	IK07 (2 joules)
Certificates / approvals	VDE, c CSA us

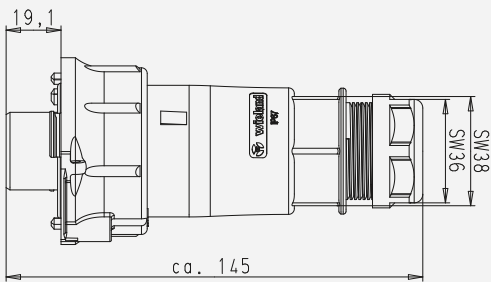
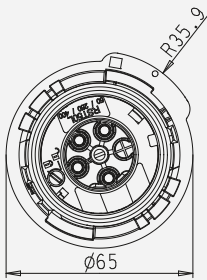
*Other diameters on request

RST® POWER DIMENSIONS

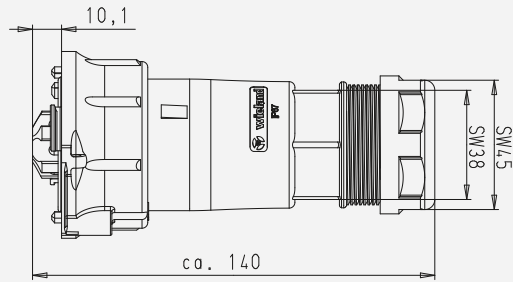
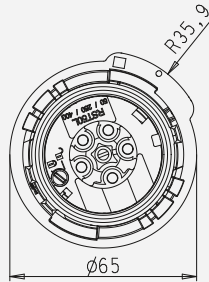
RST50i4/i5

CONNECTORS

female

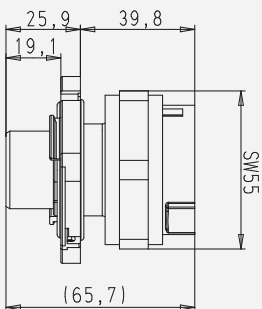
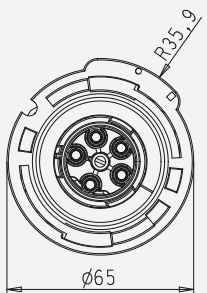


male

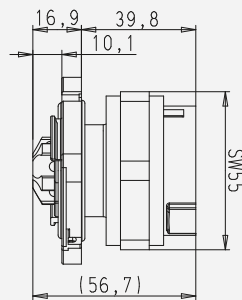
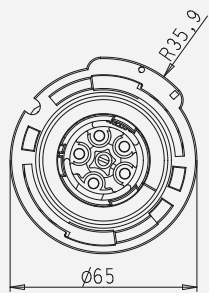


DEVICE CONNECTOR

female



male



NOTE:

The drawing for your product can be found in the download area of the relevant Art.No. at eshop.wieland-electric.com




RST® POWER CABLE PREPARATION

Connectable cable cross-sections

Model	Solid		Fine-wired		Multi-stranded	
	Connectors	Device connector	Connectors	Device connector	Connectors	Device connector
Screw connection	4.0 - 6.0 mm ² *	4.0 - 16.0 mm ²	4.0 - 16.0 mm ²	4.0 - 16.0 mm ²	4.0 - 6.0 mm ² *	4.0 - 16.0 mm ²
Crimp connection	-	-	4.0 - 10.0 mm ²	4.0 - 10.0 mm ²	-	-

* Solid and multi-wired cable > 6.0 mm² cannot be connected in the existing installation space due to their stiffness.

 RST® terminals with screw clamping allow the connection of conductors without special preparation according to EN 60999-1. Crimp contacts must always be ordered separately to the connector. The range of crimp contacts can be found in RST® POWER accessories.

Sheath strip and wire strip lengths

Cable		PE	1, 2, 3, N, PE
Sheath strip length	Screw connection	80 mm	70 mm
	Crimp connection	80 mm	70 mm
Wire strip length	Screw connection	10 mm	10 mm
	Crimp connection	11 mm	11 mm

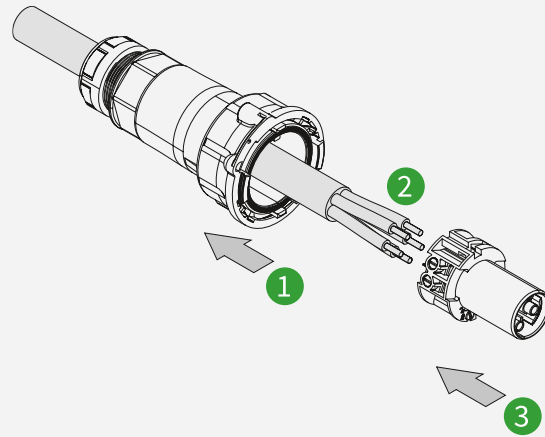


RST® POWER ASSEMBLY INSTRUCTION

CABLE ASSEMBLY

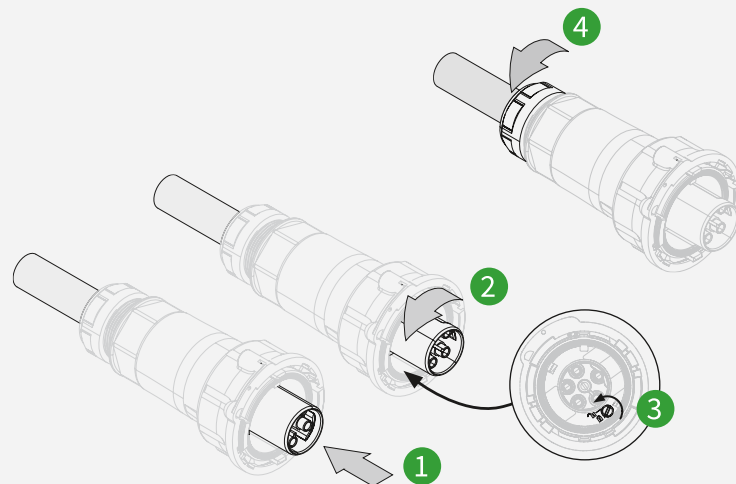
1. Pull the housing over the cable
2. Prepare cable (see technical specifications)
3. Insert prepared cable (for screw connections: tighten screws, torque 2 Nm)

Note: Make sure that the cables are firmly fixed in the connections.



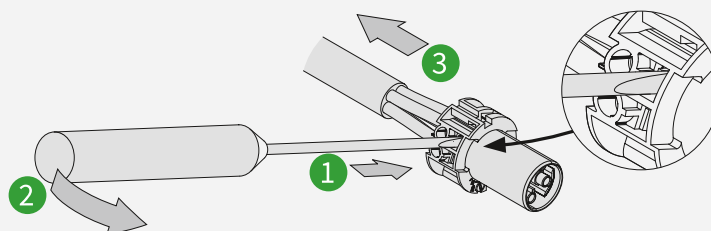
CLOSING THE CONNECTOR

1. Introduce contact insert into housing (observe coding)
2. Turn the contact insert as far as it will go
3. Lock the contact insert
4. Tighten gland nut, torque
 - M32 gland nut: 8 Nm
 - M40 gland nut: 14 Nm



CABLE REMOVAL, CRIMP CONNECTION

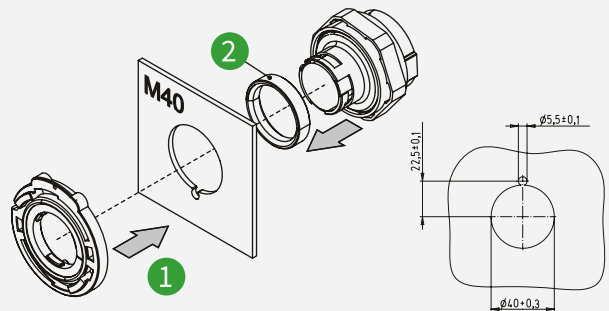
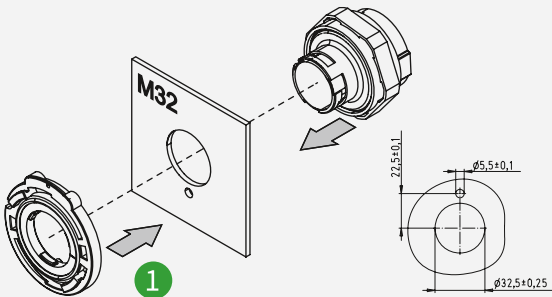
1. Insert screwdriver (see detail)
2. Open latch by lever movement
3. Pull out cable



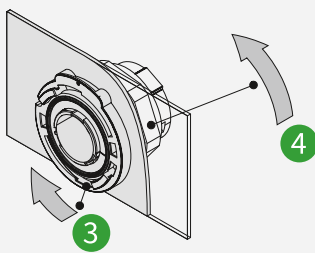
DEVICE CONNECTOR

i Housing wall thickness: 2 - 7 mm
Surface: smooth and even

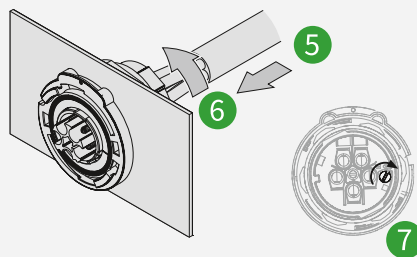
1. Join the parts together
2. Use the adapter ring for M40 bores



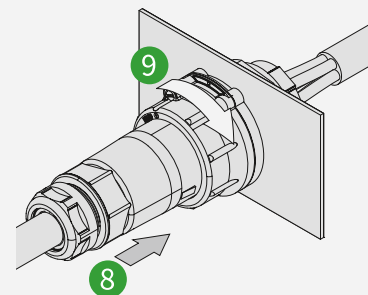
3. Engage bayonet ring, insert fixing pin into corresponding bore
4. Tighten locknut (torque: 2 Nm)



5. Introduce contact insert into device connector housing (observe coding)
6. Turn the contact insert as far as it will go
7. Lock contact insert (connected cable left out for clarity)

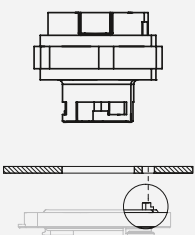


8. Plug in RST® connection
9. Close bayonet

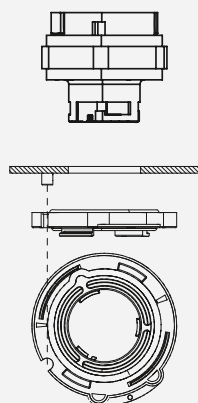


OPTIONS

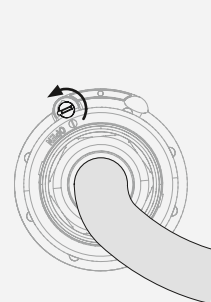
Fixing pin on flange



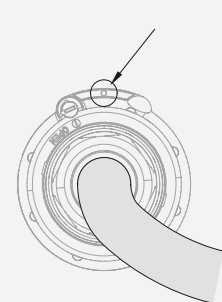
Fixing pin on mounting plate



Lock connection



Seal



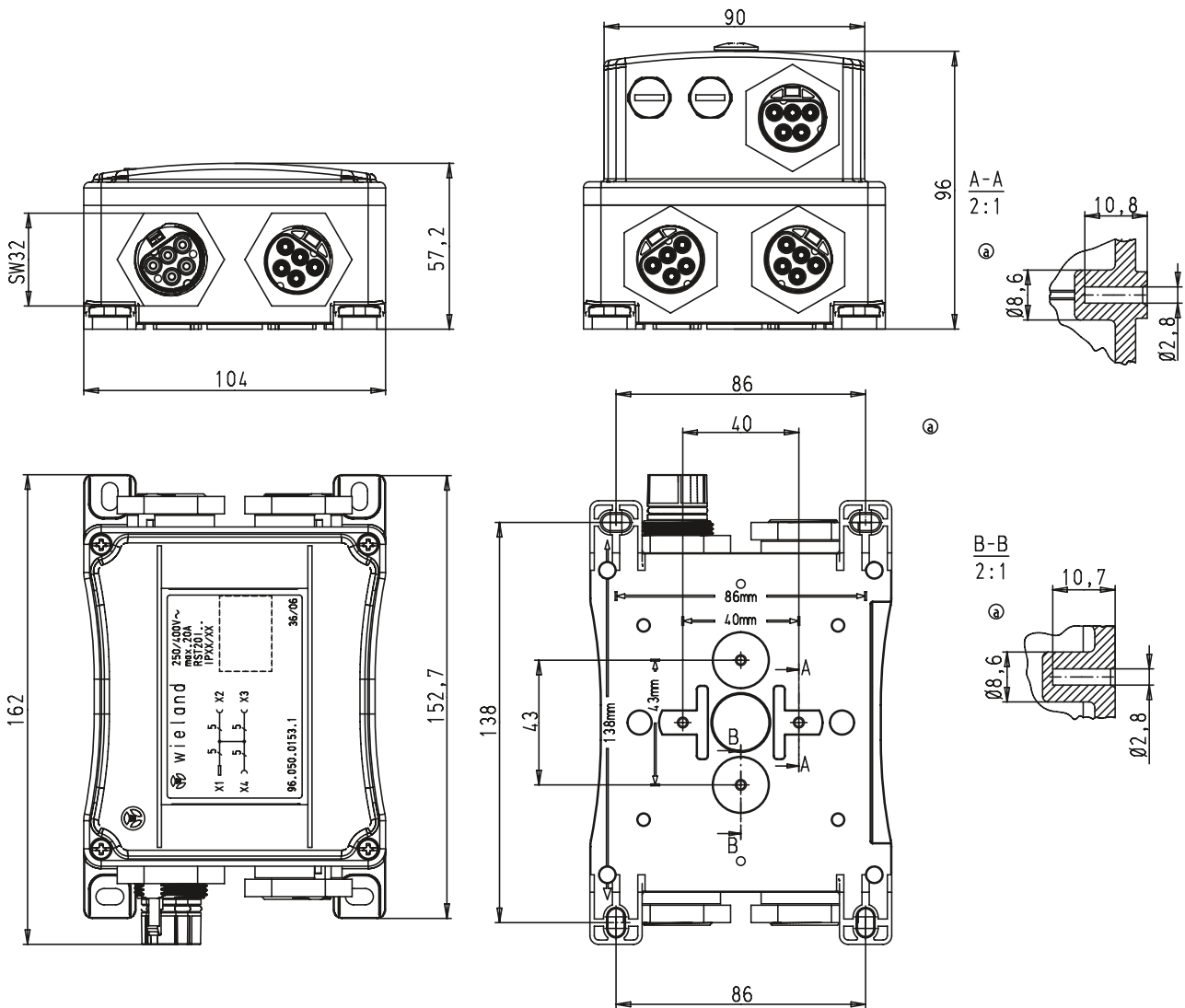
i Proceed in the same way for 4 and 5-pole connectors.
Observe the pole configuration.

NOTE: Please note that electrical connections and installations must be carried out only by appropriately trained specialists.
The Assembly instructions accompanying the product must be observed! The relevant Assembly instruction BA000641 can be found online in the download area of the product concerned: eshop.wieland-electric.com

RST® DISTRIBUTOR TECHNICAL DATA

RST® compact and multiple distributors	
Rated voltage	250/400 V
Rated current	20 A (25 A)
Temperature range:	-40 °C to +100 °C
Material	Contact parts: Brass, silver-plated Housing parts: thermoplastic PA 66, halogen-free, V2 Sealing material: NBR
Wiring	RST® MINI Standard: 1.5 mm ² , halogen free RST® CLASSIC Standard: 2.5 mm ² , halogen free (other cross-sections on request)
Directives	DIN VDE 0606 T200; DIN EN 61984 (VDE 0627); VDE 0110 IEC 60999
Certificates / approvals	VDE A direct assignment between approval and article number can be found in the eShop at http://eshop.wieland-electric.com , or speak to us.
Protection rating	IP66/68 (3m; 2h)/69 Special variants may offer different degrees of protection.
IK code	IK 07 (2 joules) to DIN EN 62262
Coding	Mechanical coding symbolized through color code. Gray and black with the same mechanical coding. Other codings optional.
Notes	Protection against contact generally guaranteed, even in the unmated condition Yellow/green conductor leading. According to the directive, voltage carrying part must be a female connector. Assembly of ring line with standards-compliant design therefore not possible! Can be connected only when polarity is correct; 1-pole not contactable. Contacts protected to prevent tensile load on the cable. All components can be locked together. In accordance with approval to DIN EN 61535, a lock must be provided. Potentially-hazardous interchangeability with installation connector systems of other manufacturers is not automatically ruled out through compliance with DIN VDE 0606 T200! Installation connector systems are no substitute for national plug/socket systems for domestic use.

RST[®] DISTRIBUTOR DIMENSIONS



INDEX

PART NUMBER | PAGE

01.006.1553.0	153	41.021.3041.4	6	41.427.2037.8	10
01.006.1553.1	153	41.021.3041.8	6	41.427.2038.4	11
02.122.9000.0	153	41.021.3043.1	6	41.427.2038.8	11
02.122.9100.0	153	41.021.3043.9	6	41.427.2530.1	9
02.122.9200.0	153	41.021.4041.4	7	41.427.2530.9	9
02.122.9300.0	153	41.021.4041.8	7	41.427.2532.4	9
02.125.5521.8	153	41.021.4043.1	7	41.427.2532.8	9
02.125.5621.8	153	41.021.4043.9	7	41.427.2533.1	10
02.125.5721.8	153	41.022.3041.4	6	41.427.2533.9	10
02.125.5821.8	153	41.022.3041.8	6	41.427.2534.1	11
02.127.1121.8	153	41.022.3043.1	6	41.427.2534.9	11
02.127.1221.8	153	41.022.3043.9	6	41.427.2537.4	10
02.127.1321.8	153	41.022.4041.4	7	41.427.2537.8	10
05.502.2100.0	154	41.022.4041.8	7	41.427.2538.4	11
05.502.3500.0	154	41.022.4043.1	7	41.427.2538.8	11
05.502.3600.0	154	41.022.4043.9	7	41.427.3030.1	9
05.544.7800.0	153	41.031.3041.4	12	41.427.3030.9	9
05.544.7900.0	153	41.031.3043.9	12	41.427.3032.4	9
05.544.8000.0	153	41.031.3051.8	12	41.427.3032.8	9
05.545.0021.8	153	41.031.3053.1	12	41.427.3033.1	10
05.545.0121.8	153	41.031.4041.4	13	41.427.3033.9	10
05.545.0221.8	153	41.031.4043.9	13	41.427.3034.1	11
05.545.0321.8	153	41.031.4051.8	13	41.427.3034.9	11
05.545.4600.0	153	41.031.4053.1	13	41.427.3037.4	10
05.546.3921.8	153	41.032.3041.4	12	41.427.3037.8	10
05.546.4021.8	153	41.032.3043.9	12	41.427.3038.4	11
05.546.4121.8	153	41.032.3051.8	12	41.427.3038.8	11
05.564.4453.0	150	41.032.3053.1	12	41.427.4030.1	9
05.564.4453.1	150	41.032.4041.4	13	41.427.4030.9	9
05.564.8653.1	152	41.032.4043.9	13	41.427.4032.4	9
05.564.8653.3	152	41.032.4051.8	13	41.427.4032.8	9
05.564.8653.7	152	41.032.4053.1	13	41.427.4033.1	10
05.565.0400.0	152	41.427.0530.1	9	41.427.4033.9	10
05.565.0500.0	152	41.427.0530.9	9	41.427.4034.1	11
05.565.2600.0	152	41.427.0532.4	9	41.427.4034.9	11
05.565.8653.1	152	41.427.0532.8	9	41.427.4037.4	10
05.565.8653.3	152	41.427.0533.1	10	41.427.4037.8	10
05.565.8653.7	152	41.427.0533.9	10	41.427.4038.4	11
05.565.9953.0	151	41.427.0534.1	11	41.427.4038.8	11
05.565.9953.1	151	41.427.0534.9	11	41.437.0530.1	15
05.565.9955.3	151	41.427.0537.4	10	41.437.0532.8	15
05.566.5253.0	155	41.427.0537.8	10	41.437.0533.1	16
05.566.5253.1	155	41.427.0538.4	11	41.437.0534.1	17
05.568.1853.0	164	41.427.0538.8	11	41.437.0537.8	16
05.568.8853.1	155	41.427.1030.1	9	41.437.0538.8	17
05.583.2900.1	152	41.427.1030.9	9	41.437.1030.1	15
05.583.2900.3	152	41.427.1032.4	9	41.437.1032.8	15
06.502.4300.0	154	41.427.1032.8	9	41.437.1033.1	16
06.502.6100.0	18	41.427.1033.1	10	41.437.1034.1	17
06.502.6300.0	18	41.427.1033.9	10	41.437.1037.8	16
06.561.8383.0	45	41.427.1034.1	11	41.437.1038.8	17
06.562.0583.0	45	41.427.1034.9	11	41.437.1530.1	15
06.562.5853.0	45	41.427.1037.4	10	41.437.1532.8	15
06.562.5853.1	45	41.427.1037.8	10	41.437.1533.1	16
06.562.8753.0	152	41.427.1038.4	11	41.437.1534.1	17
06.563.5053.1	18	41.427.1038.8	11	41.437.1537.8	16
06.563.5153.1	18	41.427.1530.1	9	41.437.1538.8	17
06.563.8653.0	44	41.427.1530.9	9	41.437.2030.1	15
06.563.8653.1	44	41.427.1532.4	9	41.437.2032.8	15
06.563.8753.0	44	41.427.1532.8	9	41.437.2033.1	16
06.563.8753.1	44	41.427.1533.1	10	41.437.2034.1	17
06.563.8853.0	44	41.427.1533.9	10	41.437.2037.8	16
06.563.8853.1	44	41.427.1534.1	11	41.437.2038.8	17
06.563.8953.0	44	41.427.1534.9	11	41.437.2530.1	15
06.563.8953.1	44	41.427.1537.4	10	41.437.2532.8	15
06.563.9053.0	44	41.427.1537.8	10	41.437.2533.1	16
06.563.9053.1	44	41.427.1538.4	11	41.437.2534.1	17
06.563.9153.0	44	41.427.1538.8	11	41.437.2537.8	16
06.563.9153.1	44	41.427.2030.1	9	41.437.2538.8	17
06.563.9253.0	45	41.427.2030.9	9	41.437.3030.1	15
06.563.9253.1	45	41.427.2032.4	9	41.437.3032.8	15
06.563.9353.0	44	41.427.2032.8	9	41.437.3033.1	16
06.563.9353.1	44	41.427.2033.1	10	41.437.3034.1	17
06.600.3627.0	154	41.427.2033.9	10	41.437.3037.8	16
06.600.3727.0	154	41.427.2034.1	11	41.437.3038.8	17
06.600.3827.0	154	41.427.2034.9	11	41.437.4030.1	15
06.600.3927.0	154	41.427.2037.4	10	41.437.4032.8	15

INDEX

PART NUMBER | PAGE

41.437.4033.1	16	46.032.4455.7	28	46.052.4551.4	34
41.437.4034.1	17	46.032.4456.7	22	46.052.4553.0	38
41.437.4037.8	16	46.032.4550.4*	28	46.052.4553.1	38
41.437.4038.8	17	46.032.4550.6*	28	46.052.4553.6	38
46.030.0150.6	30	46.032.4551.4*	22	46.052.4553.9	38
46.030.0151.4	24	46.032.4551.6*	22	46.052.4554.0	34
46.030.0151.6	24	46.032.4553.0*	28	46.052.4554.1	34
46.030.0153.0	30	46.032.4553.1*	28	46.052.5050.4	39
46.030.0153.1	30	46.032.4553.9*	28	46.052.5051.4	35
46.030.0153.9	30	46.032.4554.0*	22	46.052.5053.0	39
46.030.0154.0	24	46.032.4554.1*	22	46.052.5053.1	39
46.030.0154.1	24	46.032.4554.9*	22	46.052.5053.6	39
46.030.0154.9	24	46.032.4555.7*	28	46.052.5053.9	39
46.030.0155.7	30	46.032.4556.7*	22	46.052.5054.0	35
46.030.1250.4	30	46.032.4951.4*	22	46.052.5054.1	35
46.030.1250.6	30	46.032.4951.6*	22	46.422.1000.1	25
46.030.1251.4	24	46.032.5050.4*	29	46.422.1002.4	25
46.030.1251.6	24	46.032.5050.6*	29	46.422.1003.1	25
46.030.1253.0	30	46.032.5051.4*	23	46.422.1004.1	26
46.030.1253.1	30	46.032.5051.6*	23	46.422.1007.4	25
46.030.1253.9	30	46.032.5053.0*	29	46.422.1008.4	26
46.030.1254.0	24	46.032.5053.1*	29	46.422.1030.1	25
46.030.1254.1	24	46.032.5053.9*	29	46.422.1032.4	25
46.030.1254.9	24	46.032.5054.0*	23	46.422.1033.1	25
46.030.1255.7	30	46.032.5054.1*	23	46.422.1034.1	26
46.030.1354.4	24	46.032.5054.9*	23	46.422.1037.4	25
46.030.1354.7	24	46.032.5055.7*	29	46.422.1038.4	26
46.030.1355.4	30	46.032.5056.7*	23	46.422.2000.1	25
46.030.1355.7	30	46.050.0150.4	40	46.422.2002.4	25
46.031.4450.4	28	46.050.0151.4	36	46.422.2003.1	25
46.031.4450.6	28	46.050.0153.0	40	46.422.2004.1	26
46.031.4451.4	22	46.050.0153.1	40	46.422.2007.4	25
46.031.4451.6	22	46.050.0153.6	40	46.422.2008.4	26
46.031.4453.0	28	46.050.0153.9	40	46.422.2030.1	25
46.031.4453.1	28	46.050.0154.0	36	46.422.2032.4	25
46.031.4453.9	28	46.050.0154.1	36	46.422.2033.1	25
46.031.4454.0	22	46.050.1250.4	40	46.422.2034.1	26
46.031.4454.1	22	46.050.1251.4	36	46.422.2037.4	25
46.031.4454.9	22	46.050.1253.0	40	46.422.2038.4	26
46.031.4455.7	28	46.050.1253.1	40	46.422.3000.1	25
46.031.4456.7	22	46.050.1253.6	40	46.422.3002.4	25
46.031.4550.4*	28	46.050.1253.9	40	46.422.3003.1	25
46.031.4550.6*	28	46.050.1254.0	36	46.422.3004.1	26
46.031.4551.4*	22	46.050.1254.1	36	46.422.3007.4	25
46.031.4551.6*	22	46.051.4150.4	38	46.422.3008.4	26
46.031.4553.0*	28	46.051.4151.4	34	46.422.3030.1	25
46.031.4553.1*	28	46.051.4153.0	38	46.422.3032.4	25
46.031.4553.9*	28	46.051.4153.1	38	46.422.3033.1	25
46.031.4554.0*	22	46.051.4153.6	38	46.422.3034.1	26
46.031.4554.1*	22	46.051.4153.9	38	46.422.3037.4	25
46.031.4554.9*	22	46.051.4154.0	34	46.422.3038.4	26
46.031.4555.7*	28	46.051.4154.1	34	46.422.4000.1	25
46.031.4556.7*	22	46.051.4550.4	38	46.422.4002.4	25
46.031.4951.4*	22	46.051.4551.4	34	46.422.4003.1	25
46.031.4951.6*	22	46.051.4553.0	38	46.422.4004.1	26
46.031.5050.4*	29	46.051.4553.1	38	46.422.4007.4	25
46.031.5050.6*	29	46.051.4553.6	38	46.422.4008.4	26
46.031.5051.4*	23	46.051.4553.9	38	46.422.4030.1	25
46.031.5051.6*	23	46.051.4554.0	34	46.422.4032.4	25
46.031.5053.0*	29	46.051.4554.1	34	46.422.4033.1	25
46.031.5053.1*	29	46.051.5050.4	39	46.422.4034.1	26
46.031.5053.9*	29	46.051.5051.4	35	46.422.4037.4	25
46.031.5054.0*	23	46.051.5053.0	39	46.422.4038.4	26
46.031.5054.1*	23	46.051.5053.1	39	46.422.5000.1	25
46.031.5054.9*	23	46.051.5053.6	39	46.422.5002.4	25
46.031.5055.7*	29	46.051.5053.9	39	46.422.5003.1	25
46.031.5056.7*	23	46.051.5054.0	35	46.422.5004.1	26
46.032.4450.4	28	46.051.5054.1	35	46.422.5007.4	25
46.032.4450.6	28	46.052.4150.4	38	46.422.5008.4	26
46.032.4451.4	22	46.052.4151.4	34	46.422.5030.1	25
46.032.4451.6	22	46.052.4153.0	38	46.422.5032.4	25
46.032.4453.0	28	46.052.4153.1	38	46.422.5033.1	25
46.032.4453.1	28	46.052.4153.6	38	46.422.5034.1	26
46.032.4453.9	28	46.052.4153.9	38	46.422.5037.4	25
46.032.4454.0	22	46.052.4154.0	34	46.422.5038.4	26
46.032.4454.1	22	46.052.4154.1	34	46.432.0500.1	31
46.032.4454.9	22	46.052.4550.4	38	46.432.0503.1	31



INDEX

PART NUMBER | PAGE

46.432.0504.1	32	46.452.10B0.6	41	46.452.5000.1	41
46.432.0530.1	31	46.452.10B3.1	42	46.452.5000.6	41
46.432.0533.1	31	46.452.10B3.6	42	46.452.5003.1	42
46.432.0534.1	32	46.452.10B4.1	43	46.452.5003.6	42
46.432.1000.1	31	46.452.10B4.6	43	46.452.5004.1	43
46.432.1003.1	31	46.452.10C0.1	41	46.452.5004.6	43
46.432.1004.1	32	46.452.10C0.6	41	46.452.5030.1	41
46.432.1030.1	31	46.452.10C3.1	42	46.452.5030.6	41
46.432.1033.1	31	46.452.10C3.6	42	46.452.5033.1	42
46.432.1034.1	32	46.452.10C4.1	43	46.452.5033.6	42
46.432.10B0.1	31	46.452.10C4.6	43	46.452.5034.1	43
46.432.10B3.1	31	46.452.2000.1	41	46.452.5034.6	43
46.432.10B4.1	32	46.452.2000.6	41	46.452.5060.1	41
46.432.2000.1	31	46.452.2003.1	42	46.452.5060.6	41
46.432.2003.1	31	46.452.2003.6	42	46.452.5063.1	42
46.432.2004.1	32	46.452.2004.1	43	46.452.5063.6	42
46.432.2030.1	31	46.452.2004.6	43	46.452.5064.1	43
46.432.2033.1	31	46.452.2030.1	41	46.452.5064.6	43
46.432.2034.1	32	46.452.2030.6	41	46.452.6003.1	42
46.432.20B0.1	31	46.452.2033.1	42	46.452.6033.1	42
46.432.20B3.1	31	46.452.2033.6	42	4L.020.0141.4	8
46.432.20B4.1	32	46.452.2034.1	43	4L.020.0143.1	8
46.432.3000.1	31	46.452.2034.6	43	4L.020.0143.9	8
46.432.3003.1	31	46.452.2060.1	41	4L.020.0241.8	8
46.432.3004.1	32	46.452.2060.6	41	4L.020.1141.4	8
46.432.3030.1	31	46.452.2063.1	42	4L.020.1143.1	8
46.432.3033.1	31	46.452.2063.6	42	4L.020.1143.9	8
46.432.3034.1	32	46.452.2064.1	43	4L.020.1241.8	8
46.432.4000.1	31	46.452.2064.6	43	4L.021.3041.4	6
46.432.4003.1	31	46.452.20B0.1	41	4L.021.3041.8	6
46.432.4004.1	32	46.452.20B0.6	41	4L.021.3043.1	6
46.432.4030.1	31	46.452.20B3.1	42	4L.021.3043.9	6
46.432.4033.1	31	46.452.20B3.6	42	4L.021.4041.4	7
46.432.4034.1	32	46.452.20B4.1	43	4L.021.4041.8	7
46.432.5000.1	31	46.452.20B4.6	43	4L.021.4043.1	7
46.432.5003.1	31	46.452.20C0.1	41	4L.021.4043.9	7
46.432.5004.1	32	46.452.20C0.6	41	4L.022.3041.4	6
46.432.5030.1	31	46.452.20C3.1	42	4L.022.3041.8	6
46.432.5033.1	31	46.452.20C3.6	42	4L.022.3043.1	6
46.432.5034.1	32	46.452.20C4.1	43	4L.022.3043.9	6
46.452.0500.1	41	46.452.20C4.6	43	4L.022.4041.4	7
46.452.0500.6	41	46.452.20C4.6	43	4L.022.4041.8	7
46.452.0503.1	42	46.452.3000.1	41	4L.022.4043.1	7
46.452.0503.6	42	46.452.3000.6	41	4L.022.4043.9	7
46.452.0504.6	43	46.452.3003.1	42	4L.022.4043.1	7
46.452.0530.1	41	46.452.3003.6	42	4L.030.0141.4	14
46.452.0530.6	41	46.452.3004.1	43	4L.030.0143.9	14
46.452.0533.1	42	46.452.3004.6	43	4L.030.0153.1	14
46.452.0533.6	42	46.452.3030.1	41	4L.030.0351.8	14
46.452.0534.1	43	46.452.3030.6	41	4L.030.1141.4	14
46.452.0534.6	43	46.452.3033.1	42	4L.030.1143.9	14
46.452.0560.1	41	46.452.3033.6	42	4L.030.1153.1	14
46.452.0560.6	41	46.452.3034.1	43	4L.030.1351.8	14
46.452.0563.1	42	46.452.3034.6	43	4L.031.3041.4	12
46.452.0563.6	42	46.452.3060.1	41	4L.031.3043.9	12
46.452.0564.1	43	46.452.3060.6	41	4L.031.3051.8	12
46.452.0564.6	43	46.452.3063.1	42	4L.031.3053.1	12
46.452.05C4.6	43	46.452.3063.6	42	4L.031.4041.4	13
46.452.1000.1	41	46.452.3064.1	43	4L.031.4043.9	13
46.452.1000.6	41	46.452.3064.6	43	4L.031.4051.8	13
46.452.1003.1	42	46.452.4000.1	41	4L.031.4053.1	13
46.452.1003.6	42	46.452.4000.6	41	4L.032.3041.4	12
46.452.1004.1	43	46.452.4003.1	42	4L.032.3043.9	12
46.452.1004.6	43	46.452.4003.6	42	4L.032.3051.8	12
46.452.1030.1	41	46.452.4004.1	43	4L.032.3053.1	12
46.452.1030.6	41	46.452.4004.6	43	4L.032.4041.4	13
46.452.1033.1	42	46.452.4030.1	41	4L.032.4043.9	13
46.452.1033.6	42	46.452.4030.6	41	4L.032.4051.8	13
46.452.1034.1	43	46.452.4033.1	42	4L.032.4053.1	13
46.452.1034.6	43	46.452.4033.6	42	4L.427.0530.1	9
46.452.1060.1	41	46.452.4034.1	43	4L.427.0532.8	9
46.452.1060.6	41	46.452.4034.6	43	4L.427.0533.1	10
46.452.1063.1	42	46.452.4060.1	41	4L.427.0534.1	11
46.452.1063.6	42	46.452.4060.6	41	4L.427.0537.8	10
46.452.1064.1	43	46.452.4063.1	42	4L.427.0538.8	11
46.452.1064.6	43	46.452.4063.6	42	4L.427.1030.1	9
46.452.10B0.1	41	46.452.4064.1	43	4L.427.1032.8	9
		46.452.4064.6	43	4L.427.1033.1	10

INDEX

PART NUMBER | PAGE

4L.427.1034.1	11	96.020.0150.8	56	96.022.0150.8	51
4L.427.1037.8	10	96.020.0151.4	56	96.022.0151.4	51
4L.427.1038.8	11	96.020.0153.0	56	96.022.0153.0	51
4L.427.1530.1	9	96.020.0153.1	56	96.022.0153.1	51
4L.427.1532.8	9	96.020.0250.8	56	96.022.0253.1	52
4L.427.1533.1	10	96.020.0251.4	56	96.022.0453.0	51
4L.427.1534.1	11	96.020.0253.0	56	96.022.0453.1	51
4L.427.1537.8	10	96.020.0253.1	56	96.022.0950.8	51
4L.427.1538.8	11	96.021.0050.8	51	96.022.0951.4	51
4L.427.2030.1	9	96.021.0051.4	51	96.022.1050.8	55
4L.427.2032.8	9	96.021.0053.0	51	96.022.1051.4	55
4L.427.2033.1	10	96.021.0053.1	51	96.022.1053.0	55
4L.427.2034.1	11	96.021.0150.8	51	96.022.1053.1	55
4L.427.2037.8	10	96.021.0151.4	51	96.022.2050.8	54
4L.427.2038.8	11	96.021.0153.0	51	96.022.2051.4	54
4L.427.2530.1	9	96.021.0153.1	51	96.022.2053.0	54
4L.427.2532.8	9	96.021.0250.8	52	96.022.2053.1	54
4L.427.2533.1	10	96.021.0251.4	52	96.022.2150.8	53
4L.427.2534.1	11	96.021.0253.0	52	96.022.2151.4	53
4L.427.2537.8	10	96.021.0253.1	52	96.022.2153.0	53
4L.427.2538.8	11	96.021.0351.4	52	96.022.2153.1	53
4L.427.3030.1	9	96.021.0353.0	52	96.022.4050.8	48
4L.427.3032.8	9	96.021.0353.1	52	96.022.4051.4	48
4L.427.3033.1	10	96.021.0453.0	51	96.022.4053.0	48
4L.427.3034.1	11	96.021.0453.1	51	96.022.4053.1	48
4L.427.3037.8	10	96.021.0950.8	51	96.022.4055.7	48
4L.427.3038.8	11	96.021.0951.4	51	96.022.4150.8	48
4L.427.4030.1	9	96.021.1050.8	55	96.022.4151.4	48
4L.427.4032.8	9	96.021.1051.4	55	96.022.4153.0	48
4L.427.4033.1	10	96.021.1053.0	55	96.022.4153.1	48
4L.427.4034.1	11	96.021.1053.1	55	96.022.4155.7	48
4L.427.4037.8	10	96.021.2050.8	54	96.022.4451.4	48
4L.427.4038.8	11	96.021.2051.4	54	96.022.4453.0	48
4L.437.0530.1	15	96.021.2053.0	54	96.022.4453.1	48
4L.437.0532.8	15	96.021.2053.1	54	96.022.4950.8	48
4L.437.0533.1	16	96.021.2150.8	53	96.022.4951.4	48
4L.437.0534.1	17	96.021.2151.4	53	96.022.5050.8	55
4L.437.0537.8	16	96.021.2153.0	53	96.022.5051.4	55
4L.437.0538.8	17	96.021.2153.1	53	96.022.5053.0	55
4L.437.1030.1	15	96.021.4050.8	48	96.022.5053.1	55
4L.437.1032.8	15	96.021.4051.4	48	96.022.6050.8	54
4L.437.1033.1	16	96.021.4053.0	48	96.022.6051.4	54
4L.437.1034.1	17	96.021.4053.1	48	96.022.6053.0	54
4L.437.1037.8	16	96.021.4055.7	48	96.022.6053.1	54
4L.437.1038.8	17	96.021.4150.8	48	96.022.6150.8	53
4L.437.1530.1	15	96.021.4151.4	48	96.022.6151.4	53
4L.437.1532.8	15	96.021.4153.0	48	96.022.6153.0	53
4L.437.1533.1	16	96.021.4153.1	48	96.022.6153.1	53
4L.437.1534.1	17	96.021.4155.7	48	96.023.0050.8	51
4L.437.1537.8	16	96.021.4250.8	50	96.023.0051.4	51
4L.437.1538.8	17	96.021.4251.4	50	96.023.0053.0	51
4L.437.2030.1	15	96.021.4253.0	50	96.023.0053.1	51
4L.437.2032.8	15	96.021.4253.1	50	96.023.0150.8	51
4L.437.2033.1	16	96.021.4351.4	50	96.023.0151.4	51
4L.437.2034.1	17	96.021.4353.0	50	96.023.0153.0	51
4L.437.2037.8	16	96.021.4353.1	50	96.023.0153.1	51
4L.437.2038.8	17	96.021.4451.4	48	96.023.0950.8	52
4L.437.2530.1	15	96.021.4453.0	48	96.023.0951.4	52
4L.437.2532.8	15	96.021.4453.1	48	96.023.2050.8	54
4L.437.2533.1	16	96.021.4950.8	48	96.023.2051.4	54
4L.437.2534.1	17	96.021.4951.4	48	96.023.2053.0	54
4L.437.2537.8	16	96.021.5050.8	55	96.023.2053.1	54
4L.437.2538.8	17	96.021.5051.4	55	96.023.2250.8	55
4L.437.3030.1	15	96.021.5053.0	55	96.023.2251.4	55
4L.437.3032.8	15	96.021.5053.1	55	96.023.2253.0	55
4L.437.3033.1	16	96.021.6050.8	54	96.023.2253.1	55
4L.437.3034.1	17	96.021.6051.4	54	96.023.4050.8	49
4L.437.3037.8	16	96.021.6053.0	54	96.023.4051.4	49
4L.437.3038.8	17	96.021.6053.1	54	96.023.4053.0	49
4L.437.4030.1	15	96.021.6150.8	53	96.023.4053.1	49
4L.437.4032.8	15	96.021.6151.4	53	96.023.4150.8	49
4L.437.4033.1	16	96.021.6153.0	53	96.023.4151.4	49
4L.437.4034.1	17	96.021.6153.1	53	96.023.4153.0	49
4L.437.4037.8	16	96.022.0050.8	51	96.023.4153.1	49
4L.437.4038.8	17	96.022.0051.4	51	96.023.4950.8	49
95.101.0800.0	154	96.022.0053.0	51	96.023.4951.4	49
95.101.1300.0	154	96.022.0053.1	51	96.023.6050.8	54



INDEX

PART NUMBER | PAGE

96.023.6051.4	54	96.031.0355.7	65	96.032.1053.0	71
96.023.6053.0	54	96.031.0553.9	64	96.032.1053.1	71
96.023.6053.1	54	96.031.0555.7	64	96.032.1053.9	71
96.023.6250.8	55	96.031.1051.4	71	96.032.1055.7	71
96.023.6251.4	55	96.031.1053.0	71	96.032.2051.4	69
96.023.6253.0	55	96.031.1053.1	71	96.032.2053.0	69
96.023.6253.1	55	96.031.1053.9	71	96.032.2053.1	69
96.024.0050.8	51	96.031.1055.7	71	96.032.2053.9	69
96.024.0051.4	51	96.031.2051.4	69	96.032.2055.7	69
96.024.0053.0	51	96.031.2053.0	69	96.032.2151.4	67
96.024.0053.1	51	96.031.2053.1	69	96.032.2153.0	67
96.024.0150.8	51	96.031.2053.9	69	96.032.2153.1	67
96.024.0151.4	51	96.031.2055.7	69	96.032.2153.9	67
96.024.0153.0	51	96.031.2151.4	67	96.032.2155.7	67
96.024.0153.1	51	96.031.2153.0	67	96.032.4051.4	62
96.024.0950.8	52	96.031.2153.1	67	96.032.4053.0	62
96.024.0951.4	52	96.031.2153.9	67	96.032.4053.1	62
96.024.2050.8	54	96.031.2155.7	67	96.032.4053.9	62
96.024.2051.4	54	96.031.4051.4	62	96.032.4054.3	134
96.024.2053.0	54	96.031.4053.0	62	96.032.4055.7	62
96.024.2053.1	54	96.031.4053.1	62	96.032.4151.4	62
96.024.2250.8	55	96.031.4053.9	62	96.032.4153.0	62
96.024.2251.4	55	96.031.4054.3	134	96.032.4153.1	62
96.024.2253.0	55	96.031.4055.7	62	96.032.4153.9	62
96.024.2253.1	55	96.031.4151.4	62	96.032.4154.3	134
96.024.4050.8	49	96.031.4153.0	62	96.032.4155.7	62
96.024.4051.4	49	96.031.4153.1	62	96.032.4251.4	63
96.024.4053.0	49	96.031.4153.9	62	96.032.4253.0	63
96.024.4053.1	49	96.031.4154.3	134	96.032.4253.1	63
96.024.4150.8	49	96.031.4155.7	62	96.032.4353.0	63
96.024.4151.4	49	96.031.4251.4	63	96.032.4353.1	63
96.024.4153.0	49	96.031.4253.0	63	96.032.4553.0	62
96.024.4153.1	49	96.031.4253.1	63	96.032.4553.1	62
96.024.4950.8	49	96.031.4253.9	63	96.032.4553.9	62
96.024.4951.4	49	96.031.4254.3	135	96.032.4554.3	134
96.024.6050.8	54	96.031.4255.7	63	96.032.4555.7	62
96.024.6051.4	54	96.031.4353.0	63	96.032.5051.4	71
96.024.6053.0	54	96.031.4353.1	63	96.032.5053.0	71
96.024.6053.1	54	96.031.4353.9	63	96.032.5053.1	71
96.024.6250.8	55	96.031.4355.7	63	96.032.5053.9	71
96.024.6251.4	55	96.031.4553.0	62	96.032.5054.3	138
96.024.6253.0	55	96.031.4553.1	62	96.032.5055.7	71
96.024.6253.1	55	96.031.4553.9	62	96.032.6051.4	69
96.025.2153.0	53	96.031.4554.3	134	96.032.6053.0	69
96.025.2153.1	53	96.031.4555.7	62	96.032.6053.1	69
96.025.6153.0	53	96.031.5051.4	71	96.032.6053.9	69
96.025.6153.1	53	96.031.5053.0	71	96.032.6054.3	137
96.026.2153.0	53	96.031.5053.1	71	96.032.6055.7	69
96.026.2153.1	53	96.031.5053.9	71	96.032.6151.4	67
96.026.6153.0	53	96.031.5054.3	138	96.032.6153.0	67
96.026.6153.1	53	96.031.5055.7	71	96.032.6153.1	67
96.030.0151.4	73	96.031.6051.4	69	96.032.6153.9	67
96.030.0153.0	73	96.031.6053.0	69	96.032.6154.3	136
96.030.0153.1	73	96.031.6053.1	69	96.032.6155.7	67
96.030.0153.9	73	96.031.6053.9	69	96.033.0051.4	64
96.030.0155.7	73	96.031.6054.3	137	96.033.0053.0	64
96.030.0251.4	73	96.031.6055.7	69	96.033.0053.1	64
96.030.0253.0	73	96.031.6151.4	67	96.033.0053.9	64
96.030.0253.1	73	96.031.6153.0	67	96.033.0055.7	64
96.030.0255.7	73	96.031.6153.1	67	96.033.0151.4	64
96.031.0051.4	64	96.031.6153.9	67	96.033.0153.0	64
96.031.0053.0	64	96.031.6154.3	136	96.033.0153.1	64
96.031.0053.1	64	96.031.6155.7	67	96.033.0153.9	64
96.031.0053.9	64	96.032.0051.4	64	96.033.0155.7	64
96.031.0055.7	64	96.032.0053.0	64	96.033.2051.4	69
96.031.0151.4	64	96.032.0053.1	64	96.033.2053.0	69
96.031.0153.0	64	96.032.0053.9	64	96.033.2053.1	69
96.031.0153.1	64	96.032.0055.7	64	96.033.2055.7	69
96.031.0153.9	64	96.032.0151.4	64	96.033.2251.4	71
96.031.0155.7	64	96.032.0153.0	64	96.033.2253.0	71
96.031.0253.0	64	96.032.0153.1	64	96.033.2253.1	71
96.031.0253.1	64	96.032.0153.9	64	96.033.2253.9	71
96.031.0253.9	64	96.032.0155.7	64	96.033.2255.7	71
96.031.0255.7	64	96.032.0253.0	64	96.033.4051.4	62
96.031.0353.0	65	96.032.0253.1	64	96.033.4053.0	62
96.031.0353.1	65	96.032.0255.7	64	96.033.4053.1	62
96.031.0353.9	65	96.032.1051.4	71		

INDEX

PART NUMBER | PAGE

96.033.4053.9	62	96.041.4153.0	82	96.051.4154.3	142
96.033.4054.3	134	96.041.4153.1	82	96.051.4251.4	95
96.033.4055.7	62	96.041.4253.0	83	96.051.4253.0	95
96.033.4151.4	62	96.041.4253.1	83	96.051.4253.1	95
96.033.4153.0	62	96.041.4353.0	83	96.051.4253.6	95
96.033.4153.1	62	96.041.4353.1	83	96.051.4253.9	95
96.033.4153.9	62	96.041.4553.0	82	96.051.4351.4	95
96.033.4154.3	134	96.041.4553.1	82	96.051.4353.0	95
96.033.4155.7	62	96.041.5051.4	87	96.051.4353.1	95
96.033.6051.4	69	96.041.5053.0	87	96.051.4353.6	95
96.033.6053.0	69	96.041.5053.1	87	96.051.4353.9	95
96.033.6053.1	69	96.041.6051.4	86	96.051.4551.4	94
96.033.6053.9	69	96.041.6053.0	86	96.051.4553.0	94
96.033.6054.3	137	96.041.6053.1	86	96.051.4553.1	94
96.033.6055.7	69	96.041.6153.0	85	96.051.4553.2	94
96.033.6251.4	71	96.041.6153.1	85	96.051.4553.6	94
96.033.6253.0	71	96.042.4051.4	82	96.051.4553.9	94
96.033.6253.1	71	96.042.4053.0	82	96.051.4554.3	142
96.033.6253.9	71	96.042.4053.1	82	96.051.5051.4	99
96.033.6254.3	138	96.042.4151.4	82	96.051.5053.0	99
96.033.6255.7	71	96.042.4153.0	82	96.051.5053.1	99
96.034.0051.4	64	96.042.4153.1	82	96.051.5053.6	99
96.034.0053.0	64	96.042.4353.1	83	96.051.5053.9	99
96.034.0053.1	64	96.042.4553.0	82	96.051.5054.3	146
96.034.0053.9	64	96.042.4553.1	82	96.051.6051.4	98
96.034.0055.7	64	96.042.5051.4	87	96.051.6053.0	98
96.034.0151.4	64	96.042.5053.0	87	96.051.6053.1	98
96.034.0153.0	64	96.042.5053.1	87	96.051.6053.6	98
96.034.0153.1	64	96.042.6051.4	86	96.051.6053.9	98
96.034.0153.9	64	96.042.6053.0	86	96.051.6054.3	145
96.034.0155.7	64	96.042.6053.1	86	96.051.6151.4	97
96.034.2051.4	69	96.042.6153.0	85	96.051.6153.0	97
96.034.2053.0	69	96.042.6153.1	85	96.051.6153.1	97
96.034.2053.1	69	96.043.4053.0	82	96.051.6153.6	97
96.034.2053.9	69	96.043.4053.1	82	96.051.6153.9	97
96.034.2055.7	69	96.043.4153.0	82	96.051.6154.3	144
96.034.2251.4	71	96.043.4153.1	82	96.052.4051.4	94
96.034.2253.0	71	96.043.6053.0	86	96.052.4053.0	94
96.034.2253.1	71	96.043.6053.1	86	96.052.4053.1	94
96.034.2253.9	71	96.043.6251.4	87	96.052.4053.2	94
96.034.2255.7	71	96.043.6253.0	87	96.052.4053.6	94
96.034.4051.4	62	96.043.6253.1	87	96.052.4053.9	94
96.034.4053.0	62	96.044.4053.0	82	96.052.4054.3	142
96.034.4053.1	62	96.044.4053.1	82	96.052.4151.4	94
96.034.4053.9	62	96.044.4153.0	82	96.052.4153.0	94
96.034.4054.3	134	96.044.4153.1	82	96.052.4153.1	94
96.034.4055.7	62	96.044.6053.0	86	96.052.4153.2	94
96.034.4151.4	62	96.044.6053.1	86	96.052.4153.6	94
96.034.4153.0	62	96.044.6251.4	87	96.052.4153.9	94
96.034.4153.1	62	96.044.6253.0	87	96.052.4154.3	142
96.034.4153.9	62	96.044.6253.1	87	96.052.4251.4	95
96.034.4154.3	134	96.045.6153.0	85	96.052.4253.0	95
96.034.4155.7	62	96.045.6153.1	85	96.052.4253.1	95
96.034.6051.4	69	96.046.6153.0	85	96.052.4253.6	95
96.034.6053.0	69	96.046.6153.1	85	96.052.4353.0	95
96.034.6053.1	69	96.050.0153.0	100	96.052.4353.1	95
96.034.6053.9	69	96.050.0153.1	100	96.052.4353.6	95
96.034.6054.3	137	96.050.1153.1	100	96.052.4551.4	94
96.034.6055.7	69	96.050.2153.1	100	96.052.4553.0	94
96.034.6251.4	71	96.050.3153.1	100	96.052.4553.1	94
96.034.6253.0	71	96.050.4153.1	100	96.052.4553.2	94
96.034.6253.1	71	96.050.5153.1	100	96.052.4553.6	94
96.034.6253.9	71	96.050.6153.1	100	96.052.4553.9	94
96.034.6254.3	138	96.050.7153.1	100	96.052.4554.3	142
96.034.6255.7	71	96.051.4051.4	94	96.052.5051.4	99
96.035.2153.0	67	96.051.4053.0	94	96.052.5053.0	99
96.035.2153.1	67	96.051.4053.1	94	96.052.5053.1	99
96.035.6153.0	67	96.051.4053.2	94	96.052.5053.6	99
96.035.6153.1	67	96.051.4053.6	94	96.052.5053.9	99
96.036.2153.0	67	96.051.4053.9	94	96.052.5054.3	146
96.036.2153.1	67	96.051.4054.3	142	96.052.6051.4	98
96.036.6153.0	67	96.051.4151.4	94	96.052.6053.0	98
96.036.6153.1	67	96.051.4153.0	94	96.052.6053.1	98
96.041.4051.4	82	96.051.4153.1	94	96.052.6053.6	98
96.041.4053.0	82	96.051.4153.2	94	96.052.6053.9	98
96.041.4053.1	82	96.051.4153.6	94	96.052.6054.3	145
96.041.4151.4	82	96.051.4153.9	94	96.052.6151.4	97



INDEX

PART NUMBER | PAGE

96.052.6153.0	97	96.064.6053.6	117	96.074.4053.1	123
96.052.6153.1	97	96.064.6253.6	119	96.074.4053.6	123
96.052.6153.6	97	96.065.6153.6	115	96.074.4053.9	123
96.052.6153.9	97	96.066.6153.6	115	96.074.4153.0	123
96.052.6154.3	144	96.071.4053.0	122	96.074.4153.1	123
96.053.4051.4	94	96.071.4053.1	122	96.074.4153.6	123
96.053.4053.0	94	96.071.4053.6	122	96.074.4153.9	123
96.053.4053.1	94	96.071.4053.9	122	96.074.6053.0	129
96.053.4053.6	94	96.071.4153.0	122	96.074.6053.1	129
96.053.4053.9	94	96.071.4153.1	122	96.074.6053.9	129
96.053.4151.4	94	96.071.4153.6	122	96.074.6253.0	131
96.053.4153.0	94	96.071.4153.9	122	96.074.6253.1	131
96.053.4153.1	94	96.071.4253.0	124	96.074.6253.9	131
96.053.4153.6	94	96.071.4253.1	124	96.075.6153.0	127
96.053.4153.9	94	96.071.4253.6	124	96.075.6153.1	127
96.053.6051.4	98	96.071.4253.9	124	96.075.6153.9	127
96.053.6053.0	98	96.071.4353.0	124	96.076.6153.0	127
96.053.6053.1	98	96.071.4353.1	124	96.076.6153.1	127
96.053.6053.6	98	96.071.4353.6	124	96.076.6153.9	127
96.053.6053.9	98	96.071.4353.9	124	96.131.0053.0	66
96.053.6054.3	145	96.071.4553.0	123	96.131.0053.1	66
96.053.6251.4	99	96.071.4553.1	123	96.131.0055.7	66
96.053.6253.0	99	96.071.4553.6	123	96.131.0153.0	66
96.053.6253.1	99	96.071.4553.9	123	96.131.0153.1	66
96.053.6253.6	99	96.071.6053.0	129	96.131.0155.7	66
96.053.6253.9	99	96.071.6053.1	129	96.131.1053.0	72
96.053.6254.3	146	96.071.6053.9	129	96.131.1053.1	72
96.054.4051.4	94	96.071.6153.0	127	96.131.1055.7	72
96.054.4053.0	94	96.071.6153.1	127	96.131.2053.0	70
96.054.4053.1	94	96.071.6153.9	127	96.131.2053.1	70
96.054.4053.6	94	96.071.6253.0	131	96.131.2153.0	68
96.054.4053.9	94	96.071.6253.1	131	96.131.2153.1	68
96.054.4151.4	94	96.071.6253.9	131	96.131.4553.0	66
96.054.4153.0	94	96.071.6353.1	133	96.131.4553.1	66
96.054.4153.1	94	96.071.6353.6	133	96.132.0053.0	66
96.054.4153.6	94	96.071.6353.9	133	96.132.0053.1	66
96.054.4153.9	94	96.072.4053.0	122	96.132.0055.7	66
96.054.6051.4	98	96.072.4053.1	122	96.132.0153.0	66
96.054.6053.0	98	96.072.4053.6	122	96.132.0153.1	66
96.054.6053.1	98	96.072.4053.9	122	96.132.1053.0	72
96.054.6053.6	98	96.072.4153.0	122	96.132.1053.1	72
96.054.6053.9	98	96.072.4153.1	122	96.132.1055.7	72
96.054.6054.3	145	96.072.4153.6	122	96.132.2053.0	70
96.054.6251.4	99	96.072.4153.9	122	96.132.2053.1	70
96.054.6253.0	99	96.072.4253.1	124	96.132.2153.0	68
96.054.6253.1	99	96.072.4253.6	124	96.132.2153.1	68
96.054.6253.6	99	96.072.4553.0	123	96.132.4553.0	66
96.054.6253.9	99	96.072.4553.1	123	96.132.4553.1	66
96.054.6254.3	146	96.072.4553.6	123	96.133.0053.0	66
96.055.6153.0	97	96.072.4553.9	123	96.133.0153.0	66
96.055.6153.1	97	96.072.6053.0	129	96.133.0153.1	66
96.055.6153.6	97	96.072.6053.1	129	96.133.2053.0	70
96.056.6153.0	97	96.072.6053.9	129	96.133.2053.1	70
96.056.6153.1	97	96.072.6153.0	127	96.133.2253.0	72
96.056.6153.6	97	96.072.6153.1	127	96.133.2253.1	72
96.061.4053.6	110	96.072.6153.9	127	96.134.0053.0	66
96.061.4153.6	110	96.072.6253.0	131	96.134.0153.0	66
96.061.4253.6	112	96.072.6253.1	131	96.134.0153.1	66
96.061.4353.6	112	96.072.6253.9	131	96.134.2053.0	70
96.061.4553.6	111	96.072.6353.1	133	96.134.2053.1	70
96.061.6053.6	117	96.072.6353.6	133	96.134.2253.0	72
96.061.6153.6	115	96.072.6353.9	133	96.134.2253.1	72
96.061.6253.6	119	96.073.4053.0	123	96.135.2153.0	68
96.061.6353.6	121	96.073.4053.1	123	96.135.2153.1	68
96.062.4053.6	110	96.073.4053.6	123	96.136.2153.0	68
96.062.4153.6	110	96.073.4053.9	123	96.136.2153.1	68
96.062.4553.6	111	96.073.4153.0	123	96.141.0053.0	84
96.062.6053.6	117	96.073.4153.1	123	96.141.0053.1	84
96.062.6153.6	115	96.073.4153.6	123	96.141.0153.0	84
96.062.6253.6	119	96.073.4153.9	123	96.141.0153.1	84
96.062.6353.6	121	96.073.6053.0	129	96.141.0553.0	84
96.063.4053.6	111	96.073.6053.1	129	96.141.0553.1	84
96.063.4153.6	111	96.073.6053.9	129	96.141.1053.0	87
96.063.6053.6	117	96.073.6253.0	131	96.141.1053.1	87
96.063.6253.6	119	96.073.6253.1	131	96.141.2053.0	86
96.064.4053.6	111	96.073.6253.9	131	96.141.2053.1	86
96.064.4153.6	111	96.074.4053.0	123	96.141.2153.0	85

INDEX

PART NUMBER | PAGE

96.141.2153.1	85	96.152.1053.6	99	96.166.2153.6	116
96.142.0053.0	84	96.152.1053.9	99	96.171.0053.0	125
96.142.0053.1	84	96.152.2051.4	98	96.171.0053.1	125
96.142.0153.0	84	96.152.2053.0	98	96.171.0053.6	125
96.142.0153.1	84	96.152.2053.1	98	96.171.0053.9	125
96.142.0553.0	84	96.152.2053.6	98	96.171.0153.0	125
96.142.0553.1	84	96.152.2053.9	98	96.171.0153.1	125
96.142.1053.0	87	96.152.2151.4	97	96.171.0153.6	125
96.142.1053.1	87	96.152.2153.0	97	96.171.0153.9	125
96.142.2053.0	86	96.152.2153.1	97	96.171.0553.0	125
96.142.2053.1	86	96.152.2153.6	97	96.171.0553.1	125
96.142.2153.0	85	96.152.2153.9	97	96.171.0553.6	125
96.142.2153.1	85	96.153.0051.4	96	96.171.0553.9	125
96.143.0053.0	84	96.153.0053.0	96	96.171.2053.0	129
96.143.0053.1	84	96.153.0053.1	96	96.171.2053.1	129
96.143.0153.0	84	96.153.0053.6	96	96.171.2053.9	129
96.143.0153.1	84	96.153.0053.9	96	96.171.2153.0	127
96.143.2053.0	86	96.153.0151.4	96	96.171.2153.1	127
96.143.2053.1	86	96.153.0153.0	96	96.171.2153.9	127
96.143.2253.0	87	96.153.0153.1	96	96.171.2253.0	131
96.143.2253.1	87	96.153.0153.6	96	96.171.2253.1	131
96.144.0153.0	84	96.153.0153.9	96	96.171.2253.9	131
96.144.0153.1	84	96.153.2051.4	98	96.171.2353.1	133
96.144.2053.0	86	96.153.2053.0	98	96.171.2353.6	133
96.144.2053.1	86	96.153.2053.1	98	96.171.2353.9	133
96.144.2253.0	87	96.153.2053.6	98	96.172.0053.0	125
96.144.2253.1	87	96.153.2053.9	98	96.172.0053.1	125
96.151.0051.4	96	96.153.2251.4	99	96.172.0053.6	125
96.151.0053.0	96	96.153.2253.0	99	96.172.0053.9	125
96.151.0053.1	96	96.153.2253.1	99	96.172.0153.0	125
96.151.0053.6	96	96.153.2253.6	99	96.172.0153.1	125
96.151.0053.9	96	96.153.2253.9	99	96.172.0153.6	125
96.151.0151.4	96	96.154.0051.4	96	96.172.0153.9	125
96.151.0153.0	96	96.154.0053.0	96	96.172.0553.0	125
96.151.0153.1	96	96.154.0053.1	96	96.172.0553.1	125
96.151.0153.6	96	96.154.0053.6	96	96.172.0553.6	125
96.151.0153.9	96	96.154.0053.9	96	96.172.0553.9	125
96.151.0551.4	96	96.154.0151.4	96	96.172.2053.0	129
96.151.0553.0	96	96.154.0153.0	96	96.172.2053.1	129
96.151.0553.1	96	96.154.0153.1	96	96.172.2053.9	129
96.151.0553.6	96	96.154.0153.6	96	96.172.2153.0	127
96.151.0553.9	96	96.154.0153.9	96	96.172.2153.1	127
96.151.1051.4	99	96.154.2051.4	98	96.172.2153.9	127
96.151.1053.0	99	96.154.2053.0	98	96.172.2253.0	131
96.151.1053.1	99	96.154.2053.1	98	96.172.2253.1	131
96.151.1053.2	99	96.154.2053.6	98	96.172.2253.9	131
96.151.1053.6	99	96.154.2053.9	98	96.172.2353.1	133
96.151.1053.9	99	96.154.2251.4	99	96.172.2353.6	133
96.151.2051.4	98	96.154.2253.0	99	96.172.2353.9	133
96.151.2053.0	98	96.154.2253.1	99	96.173.0053.0	126
96.151.2053.1	98	96.154.2253.6	99	96.173.0053.1	126
96.151.2053.6	98	96.154.2253.9	99	96.173.0053.6	126
96.151.2053.9	98	96.155.2153.0	97	96.173.0053.9	126
96.151.2151.4	97	96.156.2153.0	97	96.173.0153.0	126
96.151.2153.0	97	96.161.0053.6	113	96.173.0153.1	126
96.151.2153.1	97	96.161.0153.6	113	96.173.0153.6	126
96.151.2153.6	97	96.161.0553.6	113	96.173.0153.9	126
96.151.2153.9	97	96.161.2053.6	117	96.173.2053.0	130
96.152.0051.4	96	96.161.2153.6	115	96.173.2053.1	130
96.152.0053.0	96	96.161.2253.6	119	96.173.2053.9	130
96.152.0053.1	96	96.161.2353.6	121	96.173.2253.0	132
96.152.0053.6	96	96.162.0053.6	113	96.173.2253.1	132
96.152.0053.9	96	96.162.0153.6	113	96.173.2253.9	132
96.152.0151.4	96	96.162.0553.6	113	96.174.0053.0	126
96.152.0153.0	96	96.162.2053.6	117	96.174.0053.1	126
96.152.0153.1	96	96.162.2153.6	115	96.174.0053.6	126
96.152.0153.6	96	96.162.2253.6	119	96.174.0053.9	126
96.152.0153.9	96	96.162.2353.6	121	96.174.0153.0	126
96.152.0551.4	96	96.163.0053.6	114	96.174.0153.1	126
96.152.0553.0	96	96.163.0153.6	114	96.174.0153.6	126
96.152.0553.1	96	96.163.2053.6	118	96.174.0153.9	126
96.152.0553.6	96	96.163.2253.6	120	96.174.2053.0	130
96.152.0553.9	96	96.164.0053.6	114	96.174.2053.1	130
96.152.1051.4	99	96.164.0153.6	114	96.174.2053.9	130
96.152.1053.0	99	96.164.2053.6	118	96.174.2253.0	132
96.152.1053.1	99	96.164.2253.6	120	96.174.2253.1	132
96.152.1053.2	99	96.165.2153.6	116	96.174.2253.9	132



INDEX

PART NUMBER | PAGE

96.175.2153.0	128	96.222.4098.8	58	96.223.1098.8	61
96.175.2153.1	128	96.222.5000.1	57	96.223.2092.4	60
96.175.2153.9	128	96.222.5002.4	57	96.223.2092.8	60
96.176.2153.0	128	96.222.5003.1	58	96.223.2097.4	60
96.176.2153.1	128	96.222.5004.1	58	96.223.2097.8	60
96.176.2153.9	128	96.222.5007.4	58	96.223.2098.4	61
96.222.1000.1	57	96.222.5008.4	58	96.223.2098.8	61
96.222.1002.4	57	96.222.5030.1	57	96.223.3092.4	60
96.222.1003.1	58	96.222.5032.4	57	96.223.3092.8	60
96.222.1004.1	58	96.222.5033.1	58	96.223.3097.4	60
96.222.1007.4	58	96.222.5034.1	58	96.223.3097.8	60
96.222.1008.4	58	96.222.5037.4	58	96.223.3098.4	61
96.222.1030.1	57	96.222.5038.4	58	96.223.3098.8	61
96.222.1032.4	57	96.222.5092.4	57	96.223.4092.4	60
96.222.1033.1	58	96.222.5092.8	57	96.223.4092.8	60
96.222.1034.1	58	96.222.5097.4	58	96.223.4097.4	60
96.222.1037.4	58	96.222.5097.8	58	96.223.4097.8	60
96.222.1038.4	58	96.222.5098.4	58	96.223.4098.4	61
96.222.1092.4	57	96.222.5098.8	58	96.223.4098.8	61
96.222.1092.8	57	96.222.6000.1	57	96.223.5092.4	60
96.222.1097.4	58	96.222.6002.4	57	96.223.5092.8	60
96.222.1097.8	58	96.222.6003.1	58	96.223.5097.4	60
96.222.1098.4	58	96.222.6004.1	58	96.223.5097.8	60
96.222.1098.8	58	96.222.6007.4	58	96.223.5098.4	61
96.222.2000.1	57	96.222.6008.4	58	96.223.5098.8	61
96.222.2002.4	57	96.222.6030.1	57	96.223.6092.4	60
96.222.2003.1	58	96.222.6032.4	57	96.223.6092.8	60
96.222.2004.1	58	96.222.6033.1	58	96.223.6097.4	60
96.222.2007.4	58	96.222.6034.1	58	96.223.6097.8	60
96.222.2008.4	58	96.222.6037.4	58	96.223.6098.4	61
96.222.2030.1	57	96.222.6038.4	58	96.223.6098.8	61
96.222.2032.4	57	96.222.6092.4	57	96.223.7092.4	60
96.222.2033.1	58	96.222.6092.8	57	96.223.7092.8	60
96.222.2034.1	58	96.222.6097.4	58	96.223.7097.4	60
96.222.2037.4	58	96.222.6097.8	58	96.223.7097.8	60
96.222.2038.4	58	96.222.6098.4	58	96.223.7098.4	61
96.222.2092.4	57	96.222.6098.8	58	96.223.7098.8	61
96.222.2092.8	57	96.222.7000.1	57	96.223.8092.4	60
96.222.2097.4	58	96.222.7002.4	57	96.223.8092.8	60
96.222.2097.8	58	96.222.7003.1	58	96.223.8097.4	60
96.222.2098.4	58	96.222.7004.1	58	96.223.8097.8	60
96.222.2098.8	58	96.222.7007.4	58	96.223.8098.4	61
96.222.3000.1	57	96.222.7008.4	58	96.223.8098.8	61
96.222.3002.4	57	96.222.7030.1	57	96.232.1000.1	74
96.222.3003.1	58	96.222.7032.4	57	96.232.1001.7	74
96.222.3004.1	58	96.222.7033.1	58	96.232.1003.1	75
96.222.3007.4	58	96.222.7034.1	58	96.232.1004.1	76
96.222.3008.4	58	96.222.7037.4	58	96.232.1005.7	75
96.222.3030.1	57	96.222.7038.4	58	96.232.1006.7	76
96.222.3032.4	57	96.222.7092.4	57	96.232.1030.1	74
96.222.3033.1	58	96.222.7092.8	57	96.232.1031.7	74
96.222.3034.1	58	96.222.7097.4	58	96.232.1033.1	75
96.222.3037.4	58	96.222.7097.8	58	96.232.1034.1	76
96.222.3038.4	58	96.222.7098.4	58	96.232.1035.7	75
96.222.3092.4	57	96.222.7098.8	58	96.232.1036.7	76
96.222.3092.8	57	96.222.8000.1	57	96.232.1050.1	74
96.222.3097.4	58	96.222.8002.4	57	96.232.1053.1	75
96.222.3097.8	58	96.222.8003.1	58	96.232.1054.1	76
96.222.3098.4	58	96.222.8004.1	58	96.232.10B0.1	74
96.222.3098.8	58	96.222.8007.4	58	96.232.10B1.7	74
96.222.4000.1	57	96.222.8008.4	58	96.232.10B3.1	75
96.222.4002.4	57	96.222.8030.1	57	96.232.10B4.1	76
96.222.4003.1	58	96.222.8032.4	57	96.232.10B5.7	75
96.222.4004.1	58	96.222.8033.1	58	96.232.10B6.7	76
96.222.4007.4	58	96.222.8034.1	58	96.232.10C0.1	74
96.222.4008.4	58	96.222.8037.4	58	96.232.10C1.7	74
96.222.4030.1	57	96.222.8038.4	58	96.232.10C3.1	75
96.222.4032.4	57	96.222.8092.4	57	96.232.10C4.1	76
96.222.4033.1	58	96.222.8092.8	57	96.232.10C5.7	75
96.222.4034.1	58	96.222.8097.4	58	96.232.10C6.7	76
96.222.4037.4	58	96.222.8097.8	58	96.232.10D0.1	74
96.222.4038.4	58	96.222.8098.4	58	96.232.10D1.7	74
96.222.4092.4	57	96.222.8098.8	58	96.232.10D3.1	75
96.222.4092.8	57	96.223.1092.4	60	96.232.10D4.1	76
96.222.4097.4	58	96.223.1092.8	60	96.232.10D5.7	75
96.222.4097.8	58	96.223.1097.8	60	96.232.10D6.7	76
96.222.4098.4	58	96.223.1098.4	61	96.232.2000.1	74

INDEX

PART NUMBER | PAGE

96.232.2001.7	74	96.232.6001.7	74	96.233.2001.7	79
96.232.2003.1	75	96.232.6003.1	75	96.233.2003.1	80
96.232.2004.1	76	96.232.6004.1	76	96.233.2004.1	81
96.232.2005.7	75	96.232.6005.7	75	96.233.2005.7	80
96.232.2006.7	76	96.232.6006.7	76	96.233.2030.1	79
96.232.2030.1	74	96.232.6030.1	74	96.233.2031.7	79
96.232.2031.7	74	96.232.6031.7	74	96.233.2033.1	80
96.232.2033.1	75	96.232.6033.1	75	96.233.2034.1	81
96.232.2034.1	76	96.232.6034.1	76	96.233.2035.7	80
96.232.2036.7	76	96.232.6035.7	75	96.233.2036.7	81
96.232.2050.1	74	96.232.6036.7	76	96.233.2060.1	79
96.232.2053.1	75	96.232.6050.1	74	96.233.2063.1	80
96.232.2054.1	76	96.232.6053.1	75	96.233.2080.1	79
96.232.20B0.1	74	96.232.6054.1	76	96.233.20B1.7	79
96.232.20B1.7	74	96.232.7000.1	74	96.233.20B3.1	80
96.232.20B3.1	75	96.232.7001.7	74	96.233.20B4.1	81
96.232.20B4.1	76	96.232.7003.1	75	96.233.20B5.7	80
96.232.20B5.7	75	96.232.7004.1	76	96.233.20B6.7	81
96.232.20B6.7	76	96.232.7005.7	75	96.233.20C0.1	79
96.232.20C0.1	74	96.232.7006.7	76	96.233.20C1.7	79
96.232.20C1.7	74	96.232.7030.1	74	96.233.20C3.1	80
96.232.20C3.1	75	96.232.7031.7	74	96.233.20C4.1	81
96.232.20C4.1	76	96.232.7033.1	75	96.233.20C5.7	80
96.232.20C5.7	75	96.232.7034.1	76	96.233.20C6.7	81
96.232.20C6.7	76	96.232.7035.7	75	96.233.20D0.1	79
96.232.20D0.1	74	96.232.7036.7	76	96.233.20D1.7	79
96.232.20D1.7	74	96.232.7050.1	74	96.233.20D3.1	80
96.232.20D3.1	75	96.232.7053.1	75	96.233.20D4.1	81
96.232.20D4.1	76	96.232.7054.1	76	96.233.20D5.7	80
96.232.20D5.7	75	96.232.8000.1	74	96.233.20D6.7	81
96.232.20D6.7	76	96.232.8001.7	74	96.233.3000.1	79
96.232.3000.1	74	96.232.8003.1	75	96.233.3001.7	79
96.232.3001.7	74	96.232.8004.1	76	96.233.3003.1	80
96.232.3003.1	75	96.232.8005.7	75	96.233.3004.1	81
96.232.3004.1	76	96.232.8006.7	76	96.233.3005.7	80
96.232.3005.7	75	96.232.8030.1	74	96.233.3030.1	79
96.232.3006.7	76	96.232.8031.7	74	96.233.3031.7	79
96.232.3030.1	74	96.232.8033.1	75	96.233.3033.1	80
96.232.3031.7	74	96.232.8034.1	76	96.233.3034.1	81
96.232.3033.1	75	96.232.8035.7	75	96.233.3035.7	80
96.232.3034.1	76	96.232.8036.7	76	96.233.3036.7	81
96.232.3035.7	75	96.232.8050.1	74	96.233.3060.1	79
96.232.3036.7	76	96.232.8053.1	75	96.233.3063.1	80
96.232.3050.1	74	96.232.8054.1	76	96.233.3064.1	81
96.232.3053.1	75	96.233.1000.1	79	96.233.30B0.1	79
96.232.3054.1	76	96.233.1001.7	79	96.233.4000.1	79
96.232.4000.1	74	96.233.1003.1	80	96.233.4001.7	79
96.232.4001.7	74	96.233.1004.1	81	96.233.4003.1	80
96.232.4003.1	75	96.233.1005.7	80	96.233.4004.1	81
96.232.4004.1	76	96.233.1030.1	79	96.233.4005.7	80
96.232.4005.7	75	96.233.1031.7	79	96.233.4030.1	79
96.232.4006.7	76	96.233.1033.1	80	96.233.4031.7	79
96.232.4030.1	74	96.233.1034.1	81	96.233.4033.1	80
96.232.4031.7	74	96.233.1035.7	80	96.233.4034.1	81
96.232.4033.1	75	96.233.1036.7	81	96.233.4035.7	80
96.232.4034.1	76	96.233.1060.1	79	96.233.4036.7	81
96.232.4035.7	75	96.233.1063.1	80	96.233.4060.1	79
96.232.4036.7	76	96.233.1064.1	81	96.233.4063.1	80
96.232.4050.1	74	96.233.10B0.1	79	96.233.5000.1	79
96.232.4053.1	75	96.233.10B1.7	79	96.233.5001.7	79
96.232.4054.1	76	96.233.10B3.1	80	96.233.5003.1	80
96.232.5000.1	74	96.233.10B4.1	81	96.233.5004.1	81
96.232.5001.7	74	96.233.10B5.7	80	96.233.5005.7	80
96.232.5003.1	75	96.233.10B6.7	81	96.233.5030.1	79
96.232.5004.1	76	96.233.10C0.1	79	96.233.5031.7	79
96.232.5005.7	75	96.233.10C1.7	79	96.233.5033.1	80
96.232.5006.7	76	96.233.10C3.1	80	96.233.5034.1	81
96.232.5030.1	74	96.233.10C4.1	81	96.233.5035.7	80
96.232.5031.7	74	96.233.10C5.7	80	96.233.5036.7	81
96.232.5033.1	75	96.233.10C6.7	81	96.233.5060.1	79
96.232.5034.1	76	96.233.10D0.1	79	96.233.5063.1	80
96.232.5035.7	75	96.233.10D1.7	79	96.233.5064.1	81
96.232.5036.7	76	96.233.10D3.1	80	96.233.6000.1	79
96.232.5050.1	74	96.233.10D4.1	81	96.233.6001.7	79
96.232.5053.1	75	96.233.10D5.7	80	96.233.6003.1	80
96.232.5054.1	76	96.233.10D6.7	81	96.233.6004.1	81
96.232.6000.1	74	96.233.2000.1	79	96.233.6005.7	80



INDEX

PART NUMBER | PAGE

96.233.6030.1	79	96.442.8003.1	89	96.452.10C4.1	103
96.233.6031.7	79	96.442.8004.1	90	96.452.10C4.6	103
96.233.6033.1	80	96.442.8030.1	89	96.452.2000.1	101
96.233.6034.1	81	96.442.8033.1	89	96.452.2000.6	101
96.233.6035.7	80	96.442.8034.1	90	96.452.2003.1	102
96.233.6036.7	81	96.443.1000.1	91	96.452.2003.6	102
96.233.6060.1	79	96.443.1003.1	91	96.452.2004.1	103
96.233.6063.1	80	96.443.1004.1	92	96.452.2004.6	103
96.233.7000.1	79	96.443.1030.1	91	96.452.2030.1	101
96.233.7001.7	79	96.443.1033.1	91	96.452.2030.6	101
96.233.7003.1	80	96.443.1034.1	92	96.452.2033.1	102
96.233.7004.1	81	96.443.2000.1	91	96.452.2033.6	102
96.233.7005.7	80	96.443.2003.1	91	96.452.2034.1	103
96.233.7030.1	79	96.443.2004.1	92	96.452.2034.6	103
96.233.7031.7	79	96.443.2030.1	91	96.452.2050.1	101
96.233.7033.1	80	96.443.2033.1	91	96.452.2053.1	102
96.233.7034.1	81	96.443.2034.1	92	96.452.2054.1	103
96.233.7035.7	80	96.443.3000.1	91	96.452.20B0.1	101
96.233.7036.7	81	96.443.3003.1	91	96.452.20B0.6	101
96.233.7060.1	79	96.443.3004.1	92	96.452.20B3.1	102
96.233.7063.1	80	96.443.3030.1	91	96.452.20B3.6	102
96.233.8000.1	79	96.443.3033.1	91	96.452.20B4.1	103
96.233.8001.7	79	96.443.3034.1	92	96.452.20B4.6	103
96.233.8003.1	80	96.443.4000.1	91	96.452.20C0.1	101
96.233.8004.1	81	96.443.4003.1	91	96.452.20C0.6	101
96.233.8005.7	80	96.443.4004.1	92	96.452.20C3.1	102
96.233.8030.1	79	96.443.4030.1	91	96.452.20C3.6	102
96.233.8031.7	79	96.443.4033.1	91	96.452.20C4.1	103
96.233.8033.1	80	96.443.4034.1	92	96.452.20C4.6	103
96.233.8034.1	81	96.443.5000.1	91	96.452.20C4.6	103
96.233.8035.7	80	96.443.5003.1	91	96.452.3000.1	101
96.233.8036.7	81	96.443.5004.1	92	96.452.3000.6	101
96.233.8060.1	79	96.443.5030.1	91	96.452.3003.1	102
96.233.8063.1	80	96.443.5033.1	91	96.452.3003.6	102
96.442.1000.1	89	96.443.5034.1	92	96.452.3004.1	103
96.442.1003.1	89	96.443.6000.1	91	96.452.3004.6	103
96.442.1004.1	90	96.443.6003.1	91	96.452.3030.1	101
96.442.1030.1	89	96.443.6004.1	92	96.452.3030.6	101
96.442.1033.1	89	96.443.6033.1	91	96.452.3033.1	102
96.442.1034.1	90	96.443.6034.1	92	96.452.3033.6	102
96.442.2000.1	89	96.443.7000.1	91	96.452.3034.1	103
96.442.2003.1	89	96.443.7003.1	91	96.452.3034.6	103
96.442.2004.1	90	96.443.7004.1	92	96.452.3050.1	101
96.442.2030.1	89	96.443.7030.1	91	96.452.3053.1	102
96.442.2033.1	89	96.443.7033.1	91	96.452.3054.1	103
96.442.2034.1	90	96.443.7034.1	92	96.452.30B0.1	101
96.442.3000.1	89	96.443.8000.1	91	96.452.30B0.6	101
96.442.3003.1	89	96.443.8003.1	91	96.452.30B3.1	102
96.442.3004.1	90	96.443.8004.1	92	96.452.30B3.6	102
96.442.3030.1	89	96.443.8030.1	91	96.452.30B4.1	103
96.442.3033.1	89	96.443.8033.1	91	96.452.30B4.6	103
96.442.3034.1	90	96.443.8034.1	92	96.452.30C0.1	101
96.442.4000.1	89	96.452.1000.1	101	96.452.30C0.6	101
96.442.4003.1	89	96.452.1000.6	101	96.452.30C3.1	102
96.442.4004.1	90	96.452.1003.1	102	96.452.30C3.6	102
96.442.4030.1	89	96.452.1003.6	102	96.452.30C4.1	103
96.442.4033.1	89	96.452.1004.1	103	96.452.30C4.6	103
96.442.4034.1	90	96.452.1004.6	103	96.452.4000.1	101
96.442.5000.1	89	96.452.1030.1	101	96.452.4000.6	101
96.442.5003.1	89	96.452.1030.6	101	96.452.4003.1	102
96.442.5004.1	90	96.452.1033.1	102	96.452.4003.6	102
96.442.5030.1	89	96.452.1033.6	102	96.452.4004.1	103
96.442.5033.1	89	96.452.1034.1	103	96.452.4004.6	103
96.442.5034.1	90	96.452.1034.6	103	96.452.4030.1	101
96.442.6000.1	89	96.452.1050.1	101	96.452.4030.6	101
96.442.6003.1	89	96.452.1050.6	101	96.452.4033.1	102
96.442.6004.1	90	96.452.1053.1	102	96.452.4033.6	102
96.442.6030.1	89	96.452.1054.1	103	96.452.4034.1	103
96.442.6033.1	89	96.452.10B0.1	101	96.452.4034.6	103
96.442.6034.1	90	96.452.10B0.6	101	96.452.4050.1	101
96.442.7000.1	89	96.452.10B3.1	102	96.452.4053.1	102
96.442.7003.1	89	96.452.10B3.6	102	96.452.4054.1	103
96.442.7004.1	90	96.452.10B4.1	103	96.452.40B0.1	101
96.442.7030.1	89	96.452.10B4.6	103	96.452.40B0.6	101
96.442.7033.1	89	96.452.10C0.1	101	96.452.40B3.1	102
96.442.7034.1	90	96.452.10C0.6	101	96.452.40B3.6	102
96.442.8000.1	89	96.452.10C3.1	102	96.452.40B4.1	103
		96.452.10C3.6	102	96.452.40B4.6	103

INDEX

PART NUMBER | PAGE

96.452.40C0.1	101	96.452.70B4.1	103	96.453.20B3.1	105
96.452.40C0.6	101	96.452.70B4.6	103	96.453.20B3.6	105
96.452.40C3.1	102	96.452.70C0.1	101	96.453.20B4.1	106
96.452.40C3.6	102	96.452.70C0.6	101	96.453.20B4.6	106
96.452.40C4.1	103	96.452.70C3.1	102	96.453.20C0.1	104
96.452.40C4.6	103	96.452.70C3.6	102	96.453.20C0.6	104
96.452.5000.1	101	96.452.70C4.1	103	96.453.20C3.1	105
96.452.5000.6	101	96.452.70C4.6	103	96.453.20C3.6	105
96.452.5003.1	102	96.452.8000.1	101	96.453.20C4.1	106
96.452.5003.6	102	96.452.8000.6	101	96.453.20C4.6	106
96.452.5004.1	103	96.452.8003.1	102	96.453.3000.1	104
96.452.5004.6	103	96.452.8003.6	102	96.453.3000.6	104
96.452.5030.1	101	96.452.8004.1	103	96.453.3003.1	105
96.452.5030.6	101	96.452.8004.6	103	96.453.3003.6	105
96.452.5033.1	102	96.452.8030.1	101	96.453.3004.1	106
96.452.5033.6	102	96.452.8030.6	101	96.453.3004.6	106
96.452.5034.1	103	96.452.8033.1	102	96.453.3030.1	104
96.452.5034.6	103	96.452.8033.6	102	96.453.3030.6	104
96.452.5050.1	101	96.452.8034.1	103	96.453.3033.1	105
96.452.5053.1	102	96.452.8034.6	103	96.453.3033.6	105
96.452.5054.1	103	96.452.8050.1	101	96.453.3034.1	106
96.452.50B0.1	101	96.452.8053.1	102	96.453.3034.6	106
96.452.50B0.6	101	96.452.8054.1	103	96.453.3050.1	104
96.452.50B3.1	102	96.452.80B0.1	101	96.453.3053.1	105
96.452.50B3.6	102	96.452.80B0.6	101	96.453.3054.1	106
96.452.50B4.1	103	96.452.80B3.1	102	96.453.30B0.1	104
96.452.50B4.6	103	96.452.80B4.1	103	96.453.30B0.6	104
96.452.50C0.1	101	96.452.80B4.6	103	96.453.30B3.1	105
96.452.50C0.6	101	96.452.80C0.1	101	96.453.30B3.6	105
96.452.50C3.1	102	96.452.80C0.6	101	96.453.30B4.1	106
96.452.50C3.6	102	96.452.80C3.1	102	96.453.30B4.6	106
96.452.50C4.1	103	96.452.80C4.1	103	96.453.30C0.1	104
96.452.50C4.6	103	96.452.80C4.6	103	96.453.30C0.6	104
96.452.6000.1	101	96.453.1000.1	104	96.453.30C3.1	105
96.452.6000.6	101	96.453.1000.6	104	96.453.30C3.6	105
96.452.6003.1	102	96.453.1003.1	105	96.453.30C4.1	106
96.452.6003.6	102	96.453.1003.6	105	96.453.30C4.6	106
96.452.6004.1	103	96.453.1004.1	106	96.453.4000.1	104
96.452.6004.6	103	96.453.1004.6	106	96.453.4000.6	104
96.452.6030.1	101	96.453.1030.1	104	96.453.4003.1	105
96.452.6030.6	101	96.453.1030.6	104	96.453.4003.6	105
96.452.6033.1	102	96.453.1033.1	105	96.453.4004.1	106
96.452.6033.6	102	96.453.1033.6	105	96.453.4004.6	106
96.452.6034.1	103	96.453.1034.1	106	96.453.4030.1	104
96.452.6034.6	103	96.453.1034.6	106	96.453.4030.6	104
96.452.6050.1	101	96.453.1050.1	104	96.453.4033.1	105
96.452.6053.1	102	96.453.1053.1	105	96.453.4033.6	105
96.452.6054.1	103	96.453.1054.1	106	96.453.4034.1	106
96.452.60B0.1	101	96.453.10B0.1	104	96.453.4034.6	106
96.452.60B0.6	101	96.453.10B0.6	104	96.453.4050.1	104
96.452.60B3.1	102	96.453.10B3.1	105	96.453.4053.1	105
96.452.60B3.6	102	96.453.10B3.6	105	96.453.4054.1	106
96.452.60B4.1	103	96.453.10B4.1	106	96.453.40B0.1	104
96.452.60C0.1	101	96.453.10B4.6	106	96.453.40B0.6	104
96.452.60C0.6	101	96.453.10C0.1	104	96.453.40B3.1	105
96.452.60C3.1	102	96.453.10C0.6	104	96.453.40B3.6	105
96.452.60C3.6	102	96.453.10C3.1	105	96.453.40B4.1	106
96.452.60C4.1	103	96.453.10C3.6	105	96.453.40B4.6	106
96.452.7000.1	101	96.453.10C4.1	106	96.453.40C0.1	104
96.452.7000.6	101	96.453.10C4.6	106	96.453.40C0.6	104
96.452.7003.1	102	96.453.2000.1	104	96.453.40C3.1	105
96.452.7003.6	102	96.453.2000.6	104	96.453.40C3.6	105
96.452.7004.1	103	96.453.2003.1	105	96.453.40C4.1	106
96.452.7004.6	103	96.453.2003.6	105	96.453.40C4.6	106
96.452.7030.1	101	96.453.2004.1	106	96.453.5000.1	104
96.452.7030.6	101	96.453.2004.6	106	96.453.5000.6	104
96.452.7033.1	102	96.453.2030.1	104	96.453.5003.1	105
96.452.7033.6	102	96.453.2030.6	104	96.453.5003.6	105
96.452.7034.1	103	96.453.2033.1	105	96.453.5004.1	106
96.452.7034.6	103	96.453.2033.6	105	96.453.5004.6	106
96.452.7050.1	101	96.453.2034.1	106	96.453.5030.1	104
96.452.7053.1	102	96.453.2034.6	106	96.453.5030.6	104
96.452.7054.1	103	96.453.2050.1	104	96.453.5033.1	105
96.452.70B0.1	101	96.453.2053.1	105	96.453.5033.6	105
96.452.70B0.6	101	96.453.2054.1	106	96.453.5034.1	106
96.452.70B3.1	102	96.453.20B0.1	104	96.453.5034.6	106
96.452.70B3.6	102	96.453.20B0.6	104	96.453.5050.1	104



INDEX

PART NUMBER | PAGE

96.453.5053.1	105	96.453.80B0.1	104	96.454.6030.6	107
96.453.5054.1	106	96.453.80B0.6	104	96.454.6033.1	107
96.453.50B0.1	104	96.453.80B3.1	105	96.454.6033.6	107
96.453.50B0.6	104	96.453.80B3.6	105	96.454.6034.1	108
96.453.50B3.1	105	96.453.80B4.1	106	96.454.6034.6	108
96.453.50B3.6	105	96.453.80C0.1	104	96.454.7000.1	107
96.453.50B4.1	106	96.453.80C0.6	104	96.454.7000.6	107
96.453.50B4.6	106	96.453.80C3.1	105	96.454.7003.1	107
96.453.50C0.1	104	96.453.80C3.6	105	96.454.7003.6	107
96.453.50C0.6	104	96.453.80C4.1	106	96.454.7004.1	108
96.453.50C3.1	105	96.454.1000.1	107	96.454.7004.6	108
96.453.50C3.6	105	96.454.1000.6	107	96.454.7030.1	107
96.453.50C4.1	106	96.454.1003.1	107	96.454.7030.6	107
96.453.50C4.6	106	96.454.1003.6	107	96.454.7033.1	107
96.453.6000.1	104	96.454.1004.1	108	96.454.7033.6	107
96.453.6000.6	104	96.454.1004.6	108	96.454.7034.1	108
96.453.6003.1	105	96.454.1030.1	107	96.454.7034.6	108
96.453.6003.6	105	96.454.1030.6	107	96.454.8000.1	107
96.453.6004.1	106	96.454.1033.1	107	96.454.8000.6	107
96.453.6004.6	106	96.454.1033.6	107	96.454.8003.1	107
96.453.6030.1	104	96.454.1034.1	108	96.454.8003.6	107
96.453.6030.6	104	96.454.1034.6	108	96.454.8004.1	108
96.453.6033.1	105	96.454.2000.1	107	96.454.8004.6	108
96.453.6033.6	105	96.454.2000.6	107	96.454.8030.1	107
96.453.6034.1	106	96.454.2003.1	107	96.454.8030.6	107
96.453.6034.6	106	96.454.2003.6	107	96.454.8033.1	107
96.453.6050.1	104	96.454.2004.1	108	96.454.8033.6	107
96.453.6053.1	105	96.454.2004.6	108	96.454.8034.1	108
96.453.6054.1	106	96.454.2030.1	107	96.454.8034.6	108
96.453.60B0.1	104	96.454.2030.6	107	96.834.1000.3	139
96.453.60B0.6	104	96.454.2033.1	107	96.834.1003.3	139
96.453.60B3.1	105	96.454.2033.6	107	96.834.1004.3	140
96.453.60B3.6	105	96.454.2034.1	108	96.834.1030.3	139
96.453.60B4.1	106	96.454.2034.6	108	96.834.1033.3	139
96.453.60C0.1	104	96.454.3000.1	107	96.834.1034.3	140
96.453.60C0.6	104	96.454.3000.6	107	96.834.2000.3	139
96.453.60C3.1	105	96.454.3003.1	107	96.834.2003.3	139
96.453.60C3.6	105	96.454.3003.6	107	96.834.2004.3	140
96.453.60C4.1	106	96.454.3004.1	108	96.834.2030.3	139
96.453.7000.1	104	96.454.3004.6	108	96.834.2033.3	139
96.453.7000.6	104	96.454.3030.1	107	96.834.2034.3	140
96.453.7003.1	105	96.454.3030.6	107	96.834.3000.3	139
96.453.7003.6	105	96.454.3033.1	107	96.834.3003.3	139
96.453.7004.1	106	96.454.3033.6	107	96.834.3004.3	140
96.453.7004.6	106	96.454.3034.1	108	96.834.3030.3	139
96.453.7030.1	104	96.454.3034.6	108	96.834.3033.3	139
96.453.7030.6	104	96.454.4000.1	107	96.834.3034.3	140
96.453.7033.1	105	96.454.4000.6	107	96.834.4000.3	139
96.453.7033.6	105	96.454.4003.1	107	96.834.4003.3	139
96.453.7034.1	106	96.454.4003.6	107	96.834.4004.3	140
96.453.7034.6	106	96.454.4004.1	108	96.834.4030.3	139
96.453.7050.1	104	96.454.4004.6	108	96.834.4033.3	139
96.453.7053.1	105	96.454.4030.1	107	96.834.4034.3	140
96.453.7054.1	106	96.454.4030.6	107	96.854.1000.3	147
96.453.70B0.1	104	96.454.4033.1	107	96.854.1003.3	147
96.453.70B0.6	104	96.454.4033.6	107	96.854.1004.3	148
96.453.70B3.1	105	96.454.4034.1	108	96.854.1030.3	147
96.453.70B4.1	106	96.454.4034.6	108	96.854.1030.3	147
96.453.70C0.1	104	96.454.5000.1	107	96.854.1033.3	147
96.453.70C0.6	104	96.454.5000.6	107	96.854.1034.3	148
96.453.70C3.1	105	96.454.5003.1	107	96.854.2000.3	147
96.453.70C4.1	106	96.454.5003.6	107	96.854.2003.3	147
96.453.8000.1	104	96.454.5004.1	108	96.854.2004.3	148
96.453.8000.6	104	96.454.5004.6	108	96.854.2030.3	147
96.453.8003.1	105	96.454.5030.1	107	96.854.2033.3	147
96.453.8003.6	105	96.454.5030.6	107	96.854.2034.3	148
96.453.8004.1	106	96.454.5033.1	107	96.854.3000.3	147
96.453.8004.6	106	96.454.5033.6	107	96.854.3003.3	147
96.453.8030.1	104	96.454.5034.1	108	96.854.3004.3	148
96.453.8030.6	104	96.454.5034.6	108	96.854.3030.3	147
96.453.8033.1	105	96.454.6000.1	107	96.854.3033.3	147
96.453.8033.6	105	96.454.6000.6	107	96.854.3034.3	148
96.453.8034.1	106	96.454.6003.1	107	96.854.4000.3	147
96.453.8034.6	106	96.454.6003.6	107	96.854.4003.3	147
96.453.8050.1	104	96.454.6004.1	108	96.854.4004.3	148
96.453.8053.1	105	96.454.6004.6	108	96.854.4030.3	147
96.453.8054.1	106	96.454.6030.1	107	96.854.4033.3	147

INDEX

PART NUMBER | PAGE

96.854.4034.3	148	99.717.0000.7	77	9L.162.2353.6	121
97.041.4053.1	160	99.718.0000.7	77	9L.163.0053.6	114
97.041.4253.1	160	99.719.0000.7	77	9L.163.0153.6	114
97.041.5053.1	161	99.902.0000.7	100	9L.171.0053.0	125
97.041.5553.1	161	99.906.0000.7	73	9L.171.0053.1	125
97.042.4053.1	160	99.910.0000.7	56	9L.171.0053.6	125
97.042.4253.1	160	99.911.0000.7	88	9L.171.0053.9	125
97.042.5053.1	161	99.929.0000.7	73	9L.171.0153.0	125
97.042.5553.1	161	99.946.0000.7	56	9L.171.0153.1	125
97.051.4053.1	162	99.988.0000.7	56	9L.171.0153.6	125
97.051.4253.1	162	9L.061.4053.6	110	9L.171.0153.9	125
97.051.5053.1	163	9L.061.4153.6	110	9L.171.0553.0	125
97.051.5553.1	163	9L.061.4553.6	110	9L.171.0553.1	125
97.052.4053.1	162	9L.061.6053.6	117	9L.171.0553.6	125
97.052.4253.1	162	9L.061.6153.6	115	9L.171.0553.9	125
97.052.5053.1	163	9L.061.6253.6	119	9L.171.2053.0	129
97.052.5553.1	163	9L.061.6353.6	121	9L.171.2053.1	129
99.000.9950.6	151	9L.062.6053.6	117	9L.171.2053.9	129
99.400.9999.7	155	9L.062.6153.6	115	9L.171.2153.0	127
99.404.9999.7	155	9L.062.6253.6	119	9L.171.2153.1	127
99.413.6205.2	150	9L.062.6353.6	121	9L.171.2153.9	127
99.414.6205.2	150	9L.063.4053.6	111	9L.171.2253.0	131
99.415.6205.2	150	9L.063.4153.6	111	9L.171.2253.1	131
99.416.6205.2	150	9L.071.4053.0	122	9L.171.2253.9	131
99.429.0000.0	155	9L.071.4053.1	122	9L.171.2353.1	133
99.430.0000.0	156	9L.071.4053.6	122	9L.171.2353.6	133
99.431.0000.0	155	9L.071.4053.9	122	9L.171.2353.9	133
99.431.0000.1	18	9L.071.4153.0	122	9L.172.2053.0	129
99.439.0000.1	156	9L.071.4153.1	122	9L.172.2053.1	129
99.506.0000.7	59	9L.071.4153.6	122	9L.172.2053.9	129
99.507.0000.7	59	9L.071.4153.9	122	9L.172.2153.0	127
99.508.0000.7	59	9L.071.4553.0	122	9L.172.2153.1	127
99.511.0000.7	59	9L.071.4553.1	122	9L.172.2153.9	127
99.513.0000.7	78	9L.071.4553.6	122	9L.172.2253.0	131
99.514.0000.7	78	9L.071.4553.9	122	9L.172.2253.1	131
99.515.0000.7	78	9L.071.6053.0	129	9L.172.2253.9	131
99.516.0000.7	78	9L.071.6053.1	129	9L.172.2353.1	133
99.517.0000.7	78	9L.071.6053.9	129	9L.172.2353.6	133
99.518.0000.7	78	9L.071.6153.0	127	9L.172.2353.9	133
99.529.0000.7	150	9L.071.6153.1	127	9L.173.0053.0	126
99.530.0000.7	150	9L.071.6153.9	127	9L.173.0053.1	126
99.531.0000.7	150	9L.071.6253.0	131	9L.173.0053.6	126
99.532.0000.7	150	9L.071.6253.1	131	9L.173.0053.9	126
99.533.0000.7	78	9L.071.6253.9	131	9L.173.0153.0	126
99.534.0000.7	59	9L.071.6353.1	133	9L.173.0153.1	126
99.535.0000.7	78	9L.071.6353.6	133	9L.173.0153.6	126
99.537.0000.7	155	9L.071.6353.9	133	9L.173.0153.9	126
99.575.0000.7	142	9L.072.6053.0	129	Z5.564.4500.1	151
99.576.0000.7	142	9L.072.6053.1	129	Z5.564.4553.0	150
99.577.0000.7	146	9L.072.6053.9	129	Z5.564.4553.1	150
99.578.0000.7	146	9L.072.6153.0	127	Z5.565.9853.0	150
99.584.0000.7	143	9L.072.6153.1	127	Z5.565.9853.1	150
99.585.0000.7	143	9L.072.6153.9	127	Z5.567.5653.0	164
99.589.0000.7	151	9L.072.6253.0	131	Z5.569.5253.1	151
99.591.0000.7	151	9L.072.6253.1	131	Z5.569.5353.1	151
99.592.0000.7	48	9L.072.6253.9	131		
99.593.0000.7	49	9L.072.6353.1	133		
99.594.0000.7	62	9L.072.6353.6	133		
99.628.0000.0	164	9L.072.6353.9	133		
99.663.0000.0	156	9L.073.4053.0	123		
99.664.0000.0	156	9L.073.4053.1	123		
99.674.0000.0	45	9L.073.4053.6	123		
99.675.0000.0	45	9L.073.4053.9	123		
99.688.0000.0	45	9L.073.4153.0	123		
99.700.0000.8	32	9L.073.4153.1	123		
99.701.0000.8	32	9L.073.4153.6	123		
99.705.0000.8	32	9L.073.4153.9	123		
99.706.0000.8	32	9L.161.0053.6	113		
99.707.0000.8	32	9L.161.0153.6	113		
99.708.0000.8	32	9L.161.0553.6	113		
99.709.0000.8	32	9L.161.2053.6	117		
99.710.0000.8	33	9L.161.2153.6	115		
99.712.0000.7	77	9L.161.2253.6	119		
99.713.0000.7	77	9L.161.2353.6	121		
99.714.0000.7	77	9L.162.2053.6	117		
99.715.0000.7	77	9L.162.2153.6	115		
99.716.0000.7	77	9L.162.2253.6	119		



OUR **SECTOR KNOWLEDGE.**

We have developed special industry knowledge in a wide variety of specialized fields. This forms the basis of our successful solutions.



Machine and system construction



Building installation



Heating, ventilation and air conditioning systems



Light technology



Combustion technology



Conveying technology



Wind power and photovoltaics



Lifts and escalators

OUR **SOLUTIONS RANGE**

for pluggable electrical installation.



gesis® NRG flat cable
for energy distribution
and lighting control



GST15 and GST18®
Pluggable electrical installation
for indoor applications



podis® Powerbus
Decentralized energy
distribution



RST® MICRO, MINI, CLASSIC
Pluggable electrical installation
for outdoor applications



gesis®
Pluggable system
components



System distributors,
distribution boxes



INFO TO GO.

All brochures from Wieland Electric are available for download on our website.



<https://www.wieland-electric.com/en/support/downloads>

Interesting for you

RST® ROUND CONNECTOR SYSTEM

Solutions + Applications
in highest IP protection class.
Part No. 0699.1



RST® MICRO

The innovative plug connector for lighting
technology and industrial environments.
Part No. 0697.1



RST® INSTALLATION NOTES

Electrical installation instructions
for outdoor areas.
Bestell-Nr. 0693.1



Wieland @YouTube

See our solutions
in motion

<https://www.youtube.com/user/WielandElectric>



Technical consultation

Building and
installation technology

Phone: +49 951 9324-996

Email: building@wieland-electric.com



ONLY ONE TIP AWAY.

OUR WIELAND E-SHOP

Over 25,000 products - anytime

In our online store you will find
all the information about our products,
prices, and technical data.

Order easily and conveniently online,
and check availability.

<https://eshop.wieland-electric.com>

Scan QR code –
view products in the
E-SHOP.





wieland

HEADQUARTERS

Wieland Electric GmbH
Brennerstraße 10 – 14
96052 Bamberg · Germany

Phone +49 951 9324-0
Fax +49 951 9324-198
info@wieland-electric.com



0690.1 K 06/20

Represented in over 70 countries worldwide:

www.wieland-electric.com