

AC INLET Series

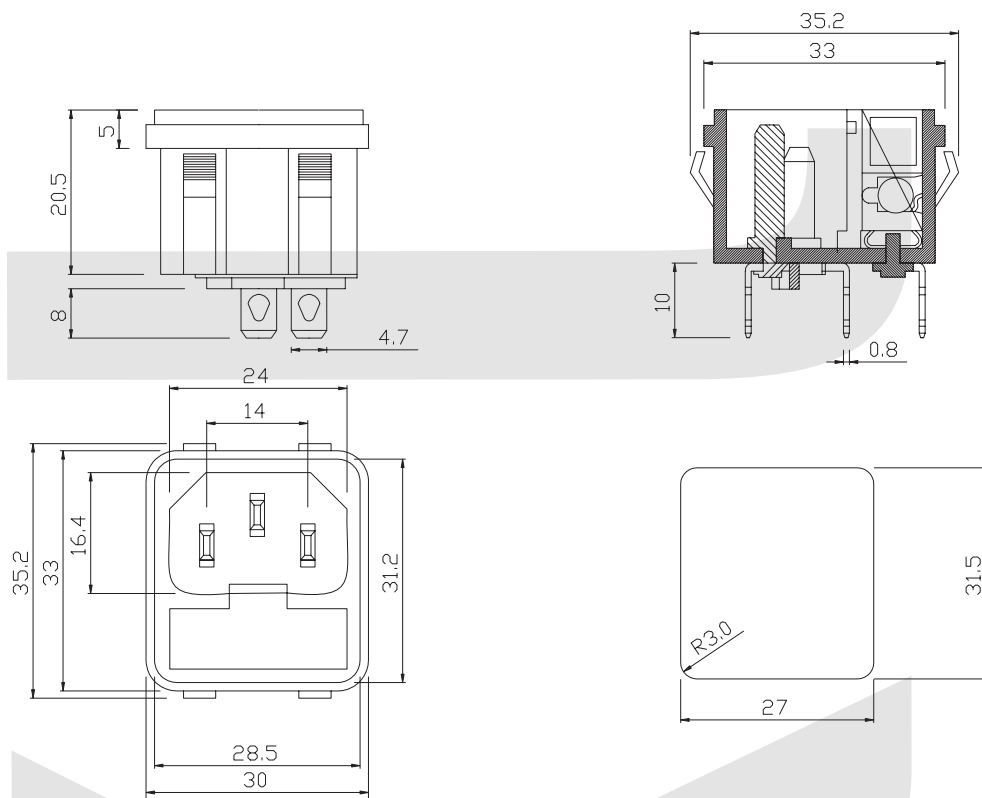
KLS1-AS-301-12 IEC AC INLET With Fuse Series

SPECIFICATION:

Current Rating: 250V AC 10A
 Contact Resistance: 30mΩ Max.
 Insulator Resistance: 100MΩ Min. at DC 500V
 Dielectric withstand Strength test: 2000VAC / 1 minute
 between each terminals
 Insertion and Removal force: 5 ~ 40N
 Operating Temperature: -45°C~+105°C
 Electrical Life: 5000 cycles Min.

Material:

Housing Material: PBT UL 94V-0 or PA66/PC UL 94V-0
 Terminal: Brass ,plating Ni.



ORDER INFORMATION

Product NO.: KLS1-AS-301-12

Pos. NO. _____
 AC Inlet Type _____