

Bias-Tee

Wideband, 2.5 to 6000 MHz



ZNBT-60-1W



Maximum Ratings

Operating Temperature	-55°C to 100°C
Storage Temperature	-55°C to 100°C
Max. Input Current	500mA
Max. RF Power	30 dBm
Max. Voltage at DC Port	30 V

Features

- wideband coverage, 2.5 to 6000 MHz
- low insertion loss, 0.6 dB typ.
- high power, 1 watt & current, 0.5A

CASE STYLE: K558
 CONNECTOR: MALE N, FEMALE N STANDARD
 PRICE: \$82.95 ea.
 QTY.: (1-9)

Applications

- biasing amplifiers
- biasing of laser diodes
- biasing of active antennas
- test accessory

Pin Configuration

RF	1
RF & DC	2
DC	3

Electrical Specifications

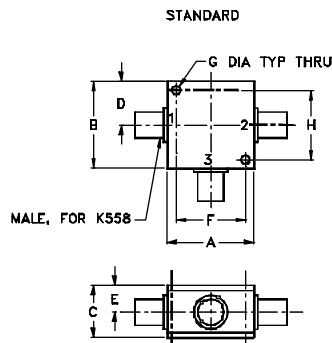
FREQ. RANGE (MHz)	INSERTION LOSS (dB)						ISOLATION, dB (RF port to DC port) (RF&DC port to DC port)						VSWR (:1)						
	L		M		U		L		M		U		L		M		U		
	f _L	f _U	Typ.	Max.	Typ.	Max.	Typ.	Max.	Typ.	Min.	Typ.	Min.	Typ.	Min.	Typ.	Max.	Typ.	Max.	Typ.
2.5 - 6000	0.2	0.9	0.6	2.0	1.6	2.2	75	45	45	25	35	20	1.1	1.5	1.10	1.3	1.35	1.60	

L= 2.5 - 25 MHz M= 25-3000 MHz U= 3000 - 6000 MHz

Typical Performance Data

FREQ. (MHz)	Pin (dBm)	INSERTION LOSS (dB) with current							ISOLATION (dB) (Pin = -10dBm) with current						
		0mA	100mA	200mA	300mA	400mA	500mA	0mA	100mA	200mA	300mA	400mA	500mA		
2.50	30.00	0.13	0.23	0.21	0.22	0.31	0.30	68.50	62.97	60.56	58.97	57.44	55.90		
10.00	29.97	0.15	0.20	0.24	0.32	0.30	0.42	77.66	79.59	76.96	74.04	72.52	71.45		
25.00	29.86	0.21	0.21	0.22	0.29	0.29	0.49	80.02	70.90	70.60	69.99	68.07	66.79		
50.00	30.01	0.16	0.21	0.28	0.25	0.23	0.22	78.47	64.54	64.38	63.82	63.20	62.99		
75.00	30.09	0.23	0.25	0.21	0.24	0.29	0.21	76.00	61.41	61.08	60.63	60.45	60.05		
100.00	30.16	0.23	0.29	0.30	0.29	0.30	0.23	73.21	59.27	58.85	58.49	58.33	57.99		
250.00	29.95	0.45	0.48	0.46	0.50	0.42	0.55	59.95	53.49	53.76	54.27	54.90	55.48		
500.00	29.97	0.24	0.28	0.25	0.27	0.28	0.26	53.84	51.56	51.59	51.49	51.45	51.37		
750.00	30.00	0.34	0.43	0.39	0.39	0.37	0.41	49.76	48.15	48.03	47.97	47.87	47.85		
1000.00	30.12	0.62	0.67	0.77	0.83	0.82	0.76	39.51	40.38	40.33	40.30	40.34	40.39		
1500.00	30.11	0.50	0.53	0.73	0.74	0.82	0.98	40.98	40.70	40.59	40.52	40.38	40.28		
2000.00	30.07	0.78	0.81	1.07	1.09	1.15	1.26	38.39	40.41	40.59	40.79	41.03	41.17		
2500.00	30.33	0.87	0.73	0.76	0.81	0.78	0.75	44.44	43.39	43.34	42.18	43.14	43.02		
3000.00	30.23	1.01	0.81	0.83	0.84	0.81	0.80	47.79	50.29	50.00	50.25	50.35	50.41		
3500.00	29.94	1.27	1.07	1.09	1.10	1.06	1.02	40.78	40.57	40.01	40.48	39.65	39.75		
4000.00	29.62	1.76	1.54	1.51	1.46	1.41	1.38	39.82	41.94	42.51	42.21	42.62	42.60		
4500.00	30.06	1.66	1.29	1.28	1.23	1.18	1.15	32.83	36.48	36.51	37.26	37.33	37.50		
5000.00	30.07	1.19	0.92	0.87	0.83	0.79	0.75	29.66	29.37	29.59	29.56	29.33	28.96		
5500.00	29.53	1.12	0.82	0.79	0.77	0.72	0.71	33.67	33.30	33.28	33.22	33.02	32.93		
6000.00	30.02	1.54	1.17	1.13	1.13	1.10	1.07	30.44	29.81	29.89	29.76	29.58	29.95		

Outline Drawing



Outline Dimensions (inch/mm)

A	B	C	D	E	F	G	H	wt.
1.25	1.25	.94	.63	.47	1.000	.125	1.000	grams
31.75	31.75	23.88	16.00	11.94	25.40	3.18	25.40	117.0



INTERNET <http://www.minicircuits.com>
 P.O. Box 350166, Brooklyn, New York 11235-0003 (718) 934-4500 Fax (718) 332-4661
 Distribution Centers NORTH AMERICA 800-654-7949 • 417-335-5935 • Fax 417-335-5945 • EUROPE 44-1252-835094 • Fax 44-1252-837010

ISO 9001 CERTIFIED

REV. A
 M67578
 ED-6605/1
 ZNBT-60-1W
 LC/TD/CP
 990812