

IP Library: High Output Current, Low power, 400mA Low Dropout Voltage Regulator

PRODUCT PREVIEW

- DIGITAL BASEBAND REGULATOR
- VERY LOW DROPOUT VOLTAGE : 50mV
- HIGH OUTPUT CURRENT : 400mA
- LOW QUIESCENT CURRENT : 100µA
- HIGH PSRR : 60dB
- LOW OUTPUT VOLTAGE NOISE
- NO CURRENT IN POWER DOWN MODE
- SHORT CIRCUIT PROTECTION

TYPICAL APPLICATIONS

- Cellular and Cordless phones supplied by 1 cell Lithium-ion battery / 3 cells Ni-MH or Ni-Cd battery.
- PDA (Personal Digital Assistant), Smart phone.
- Portable equipment.
- Supply for Digital Baseband devices for cellular phone.

APPLICATION NOTE

An external capacitor ($C_{OUT} = 4.7\mu\text{F}$) with an equivalent serial resistance (ESR) in the range 0.02 to 0.6Ω is used for regulator stability.

Figure 1 : Block Diagram

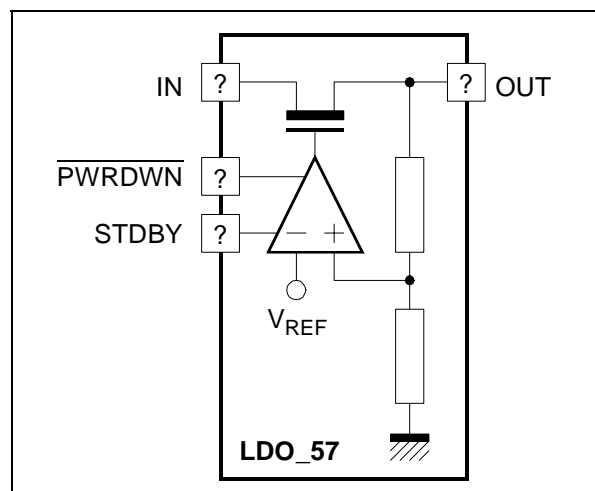
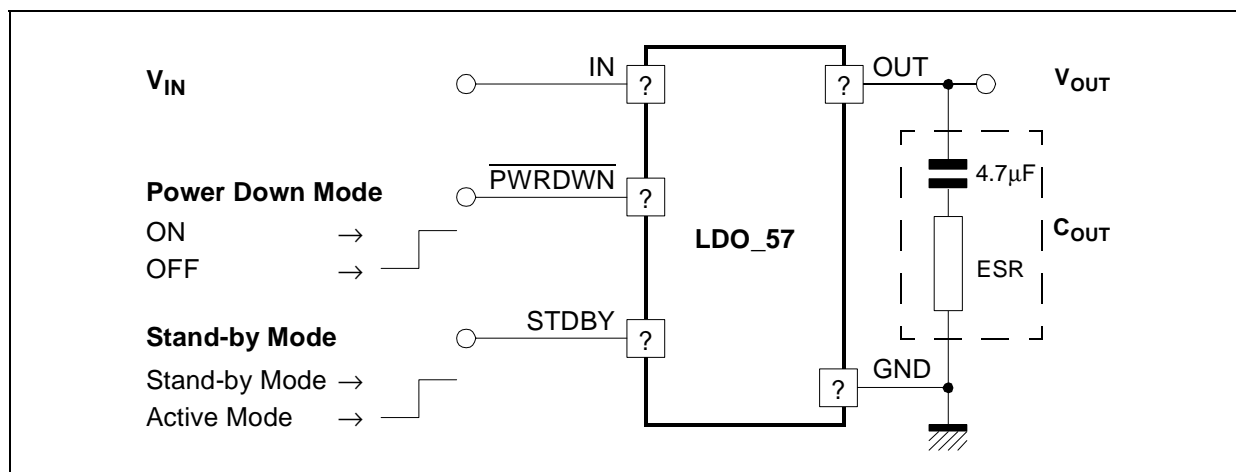


Figure 2 : Typical Application Circuit



LDO_57

ELECTRICAL CHARACTERISTICS

$3V < V_{IN} < 5.5V$, $-30^{\circ}C < T_A < +85^{\circ}C$, $V_{REF} = 2.8V$, $C_{OUT} = 4.7\mu F \pm 20\%$, $20m\Omega < ESR < 0.6\Omega$, $I_{LOAD} = 400mA$.

Typical case : $V_{IN} = 4V$, $T = 25^{\circ}C$, $C_{OUT} = 4.7\mu F$, $I_{LOAD} = 400mA$.

Parameter	Symbol	Test Condition	Min	Typ	Max	Unit
Input Voltage Range (Note 1)	V_{IN}		2,9		5,5	V
Output Voltage	V_{OUT}		1,8		4,9	V
Output Voltage Accuracy				3		%
Output current	I_{OUT}				400	mA
Dropout Voltage	ΔV_{DO}	$\Delta V_{OUT} = 50mV$, $I_{LOAD} = 400mA$,			50	mV
		(Note 2)	170			mV
Quiescent current	I_Q	$I_{LOAD} = 100\mu A$		100	150	μA
		$I_{LOAD} = 40mA$		150	230	
		$I_{LOAD} = 400mA$		350	450	
Power down mode quiescent current	I_{QPDM}	Power down active		100		nA
Power Supply Rejection Ratio	PSRR	DC	40	60		dB
		$f = 10KHz$	40	55		
Line Regulation	Lir	$I_{LOAD} = 400mA$, $V_{IN} = 2.9V$ to $5.5V$			4	mV
Load Regulation	Ldr	$I_{LOAD} = 100\mu A - 400mA$		50	55	mV
Line Transient	Lirt	$\Delta V_{IN} = 300mV$ $t_{RISE} = t_{FALL} = 10\mu s$		2,5	5	mV
Load Transient	Ldtr	$I_{LOAD} = 100\mu A - 400mA$ in $10\mu s$		3	5	mV
Output Noise Voltage	en	100Hz			1,2	$\frac{\mu V}{\sqrt{Hz}}$
		1KHz			400	$\frac{nV}{\sqrt{Hz}}$
		10KHz			140	$\frac{\mu V}{\sqrt{Hz}}$
	en _{RMS}	BW : 100Hz to 100KHz			35	μV_{RMS}
Output decoupling Capacitor	C_{OUT}			4,7		μF
Settling time		From power down to active mode			50	μs
Short Circuit Current Limit	I_{SHORT}				2	A

Notes: 1. Above characteristics are given for 2.9V minimum input operating range voltage, but regulator is operational with 2.7V minimum input voltage.

2. All performances of the regulator are guaranteed for a voltage drop of 170mV minimum.

ELECTRICAL CHARACTERISTICS : (Stand-by mode)

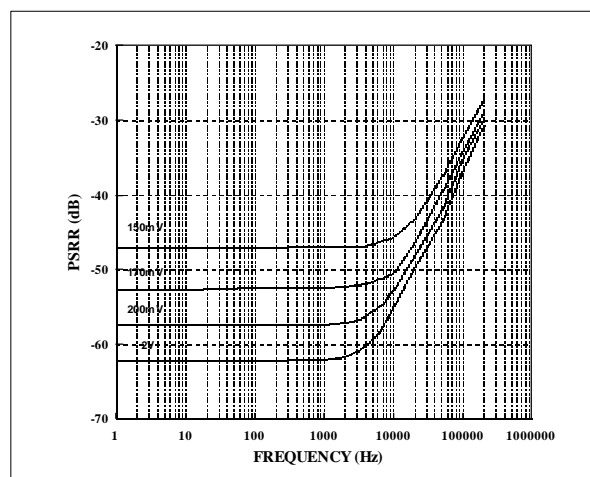
$3V < V_{IN} < 5.5V$, $-30^{\circ}C < T_A < +85^{\circ}C$, $V_{REF} = 2.8V$, $C_{OUT} = 4.7\mu F \pm 20\%$, $20m\Omega < ESR < 0.6\Omega$, $I_{LOAD} = 500\mu A$.

Typical case : $V_{IN} = 4V$, Ambient temperature, $I_{LOAD} = 500\mu A$.

Parameter	Symbol	Test Condition	Min	Typ	Max	Unit
Output current in stand-by mode	$I_{OUTSTDBY}$				500	μA
Quiescent Current in stand-by mode	I_{STDBY}	$I_{LOAD} = 500\mu A$		20	30	
Power Supply Rejection Ratio in stand-by mode	$PSRR_{STY}$	$f = 10KHz$	35	45		dB
Line Regulation in stand-by mode	Lir_{STDBY}	$I_{LOAD} = 500\mu A$, $V_{IN} = 2.9V$ to $5.5V$		2	6	mV
Load Regulation	Ldr_{STDBY}	$I_{LOAD} = 100\mu A - 500\mu A$		50	55	mV

TYPICAL CHARACTERISTICS

Figure 7 : PSRR vs Frequency
for Various Voltage Drop



Information furnished is believed to be accurate and reliable. However, STMicroelectronics assumes no responsibility for the consequences of use of such information nor for any infringement of patents or other rights of third parties which may result from its use. No license is granted by implication or otherwise under any patent or patent rights of STMicroelectronics. Specifications mentioned in this publication are subject to change without notice. This publication supersedes and replaces all information previously supplied. STMicroelectronics products are not authorized for use as critical components in life support devices or systems without express written approval of STMicroelectronics.

The ST logo is a registered trademark of STMicroelectronics

© 2002 STMicroelectronics - All Rights Reserved

STMicroelectronics GROUP OF COMPANIES

Australia - Brazil - Canada - China - Finland - France - Germany - Hong Kong - India - Israel - Italy - Japan - Malaysia - Malta - Morocco
Singapore - Spain - Sweden - Switzerland - United Kingdom - United States

<http://www.st.com>