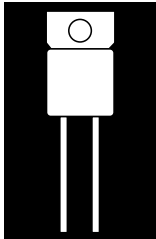


1N6774, JANTX1N6774, JANTXV1N6774  
 1N6775, JANTX1N6775, JANTXV1N6775  
 1N6776, JANTX1N6776, JANTXV1N6776  
 1N6777, JANTX1N6777, JANTXV1N6777

## JANTX, JANTXV POWER RECTIFIERS, SINGLE TO-257AA PACKAGE, QUALIFIED TO MIL-PRF-



50V Thru 200V, 15A, Ultra-Fast Power Rectifiers in a TO-257AA Hermetic 2 Pin Package

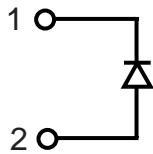
### FEATURES

- High Current
- Isolated and Hermetically Sealed
- Low  $V_F$
- Ultra-Fast
- Small Size
- Qualified to MIL-PRF-19500/646

### DESCRIPTION

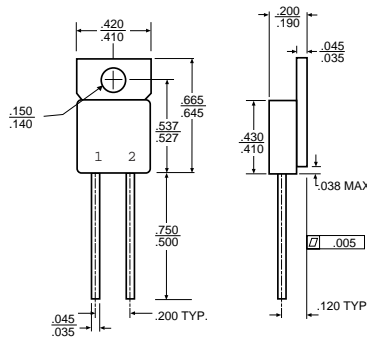
This hermetically packaged QPL product features the latest advanced silicon and packaging technology. It is ideally suited for Military low voltage rectifier requirements where small size, high performance and high reliability are required, and in applications such as switching power supplies, motor controls, inverters, choppers, audio amplifiers and high energy pulse circuits.

### SCHEMATIC



1 = Cathode  
 2 = Anode

### MECHANICAL OUTLINE



TO-257AA  
 2-Pin

1N6774, JAN1X1N6774, JAN1XV1N6774  
 1N6775, JAN1X1N6775, JAN1XV1N6775  
 1N6776, JAN1X1N6776, JAN1XV1N6776  
 1N6777, JAN1X1N6777, JAN1XV1N6777

## PRIMARY ELECTRICAL CHARACTERISTICS

MAXIMUM RATINGS @ 25°C Per Diode, Per MIL-PRF-19500/646

MIL-PRF 19500	PART NUMBER	$V_{RWM}$ Volts	$I_F$ Amps $T_C = 100\text{ C}$	$I_F$ Surge 8.3 mSec	$R_{\theta JC}$	Operating Temp Range
646	1N6774	50V	15 A	180 A	2.0 C/W	-65 C to + 150 C
646	1N6775	100V	15 A	180 A	2.0 C/W	-65 C to + 150 C
646	1N6776	150V	15 A	180 A	2.0 C/W	-65 C to + 150 C
646	1N6777	200V	15 A	180 A	2.0 C/W	-65 C to + 150 C

ELECTRICAL CHARACTERISTICS @ 25°C Per Diode, Per MIL-PRF-19500/646

MIL-PRF 19500	PART NUMBER	$V_F$ @ 8 A	$V_F$ @ 15 A	$I_r$ @ 25 C	$I_r$ @ 100 C	$t_{RR}$ $I_F = 1.0A,$ $di/dt = 50A/\mu a$	$C_J$ $f = 1.0\text{ MHz}$
646	1N6774	1.0V	1.15 V	10 $\mu a$	500 $\mu a$	35 nsec	300 pF
646	1N6775	1.0V	1.15 V	10 $\mu a$	500 $\mu a$	35 nsec	300 pF
646	1N6776	1.0V	1.15 V	10 $\mu a$	500 $\mu a$	35 nsec	300 pF
646	1N6777	1.0V	1.15 V	10 $\mu a$	500 $\mu a$	35 nsec	300 pF

PRIMARY ELECTRICAL CHARACTERISTICS @  $T_C = 25\text{ C}$

MIL-PRF 19500	PART NUMBER	$V_{RWM}$ , Volts	$V_F$ @ 15A	$I_F$ Amps @ $T_C = 100\text{ C}$
646	1N6774	50V	1.15V	15
646	1N6775	100V	1.15V	15
646	1N6776	150V	1.15V	15
646	1N6777	200V	1.15V	15