

54LS151/DM54LS151/DM74LS151 Data Selector/Multiplexer

General Description

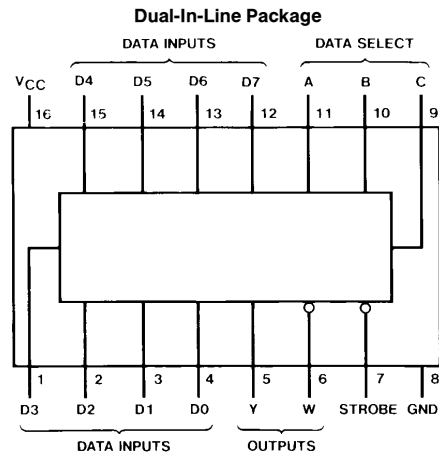
This data selector/multiplexer contains full on-chip decoding to select the desired data source. The 'LS151 selects one-of-eight data sources. The 'LS151 has a strobe input which must be at a low logic level to enable these devices. A high level at the strobe forces the W output high, and the Y output low.

The 'LS151 features complementary Y and W outputs.

Features

- Select one-of-eight data lines
- Performs parallel-to-serial conversion
- Permits multiplexing from N lines to one line
- Also for use as Boolean function generator
- Typical average propagation delay time data input to W output 12.5 ns
- Typical power dissipation 30 mW
- Alternate Military/Aerospace device (54LS151) is available. Contact a National Semiconductor Sales Office/Distributor for specifications.

Connection Diagram



TL/F/6392-1

Order Number 54LS151DMQB, 54LS151FMQB, 54LS151LMQB,
DM54LS151J, DM54LS151W, DM74LS151M or DM74LS151N
See NS Package Number E20A, J16A, M16A, N16E or W16A

Truth Table

| Inputs | | | | Outputs | |
|--------|---|---|-------------|---------|-----------------|
| Select | | | Strobe S | Y | W |
| C | B | A | | | |
| X | X | X | H | L | H |
| L | L | L | L | D0 | $\overline{D0}$ |
| L | L | H | L | D1 | $\overline{D1}$ |
| L | H | L | L | D2 | $\overline{D2}$ |
| L | H | H | L | D3 | $\overline{D3}$ |
| H | L | L | L | D4 | $\overline{D4}$ |
| H | L | H | L | D5 | $\overline{D5}$ |
| H | H | L | L | D6 | $\overline{D6}$ |
| H | H | H | L | D7 | $\overline{D7}$ |

H = High Level, L = Low Level, X = Don't Care
D0, D1...D7 = the level of the respective D input

Absolute Maximum Ratings (Note)

If Military/Aerospace specified devices are required, please contact the National Semiconductor Sales Office/Distributors for availability and specifications.

| | |
|--------------------------------------|-----------------|
| Supply Voltage | 7V |
| Input Voltage | 7V |
| Operating Free Air Temperature Range | |
| DM54LS and 54LS | −55°C to +125°C |
| DM74LS | 0°C to +70°C |
| Storage Temperature Range | −65°C to +150°C |

Note: The "Absolute Maximum Ratings" are those values beyond which the safety of the device cannot be guaranteed. The device should not be operated at these limits. The parametric values defined in the "Electrical Characteristics" table are not guaranteed at the absolute maximum ratings. The "Recommended Operating Conditions" table will define the conditions for actual device operation.

Recommended Operating Conditions

| Symbol | Parameter | DM54LS151 | | | DM74LS151 | | | Units |
|-----------------|--------------------------------|-----------|-----|------|-----------|-----|------|-------|
| | | Min | Nom | Max | Min | Nom | Max | |
| V _{CC} | Supply Voltage | 4.5 | 5 | 5.5 | 4.75 | 5 | 5.25 | V |
| V _{IH} | High Level Input Voltage | 2 | | | 2 | | | V |
| V _{IL} | Low Level Input Voltage | | | 0.7 | | | 0.8 | V |
| I _{OH} | High Level Output Current | | | −0.4 | | | −0.4 | mA |
| I _{OL} | Low Level Output Current | | | 4 | | | 8 | mA |
| T _A | Free Air Operating Temperature | −55 | | 125 | 0 | | 70 | °C |

Electrical Characteristics over recommended operating free air temperature range (unless otherwise noted)

| Symbol | Parameter | Conditions | Min | Typ (Note 1) | Max | Units |
|-----------------|-----------------------------------|--|------|---|------|-------|
| V _I | Input Clamp Voltage | V _{CC} = Min, I _I = −18 mA | | | −1.5 | V |
| V _{OH} | High Level Output Voltage | V _{CC} = Min, I _{OH} = Max V _{IL} = Max, V _{IH} = Min | DM54 | 2.5 | 3.4 | V |
| | | | DM74 | 2.7 | 3.4 | |
| V _{OL} | Low Level Output Voltage | V _{CC} = Min, I _{OL} = Max V _{IL} = Max, V _{IH} = Min | DM54 | | 0.25 | V |
| | | | DM74 | | 0.35 | |
| | | | DM74 | I _{OL} = 4 mA, V _{CC} = Min | | |
| I _I | Input Current @ Max Input Voltage | V _{CC} = Max, V _I = 7V | | | 0.1 | mA |
| I _{IH} | High Level Input Current | V _{CC} = Max, V _I = 2.7V | | | 20 | μA |
| I _{IL} | Low Level Input Current | V _{CC} = Max, V _I = 0.4V | | | −0.4 | mA |
| I _{OS} | Short Circuit Output Current | V _{CC} = Max (Note 2) | DM54 | −20 | −100 | mA |
| | | | DM74 | −20 | −100 | |
| I _{CC} | Supply Current | V _{CC} = Max (Note 3) | | 6 | 10 | mA |

Note 1: All typicals are at V_{CC} = 5V, T_A = 25°C.

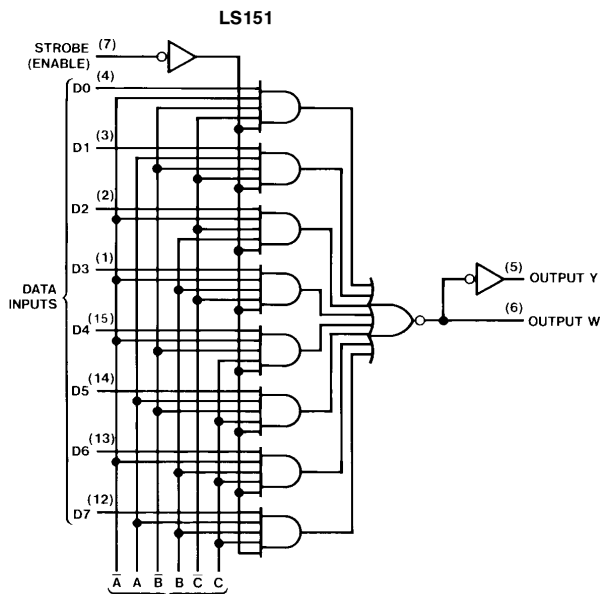
Note 2: Not more than one output should be shorted at a time, and the duration should not exceed one second.

Note 3: I_{CC} is measured with all outputs open, strobe and data select inputs at 4.5V, and all other inputs open.

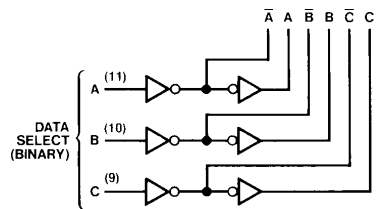
Switching Characteristics at $V_{CC} = 5V$ and $T_A = 25^\circ C$ (See Section 1 for Test Waveforms and Output Load)

| Symbol | Parameter | From (Input) To (output) | $R_L = 2\text{ k}\Omega$ | | | | Units |
|-----------|--|-----------------------------|--------------------------|-----|----------------------|-----|-------|
| | | | $C_L = 15\text{ pF}$ | | $C_L = 50\text{ pF}$ | | |
| | | | Min | Max | Min | Max | |
| t_{PLH} | Propagation Delay Time Low to High Level Output | Select (4 Levels) to Y | | 43 | | 46 | ns |
| t_{PHL} | Propagation Delay Time High to Low Level Output | Select (4 Levels) to Y | | 30 | | 36 | ns |
| t_{PLH} | Propagation Delay Time Low to High Level Output | Select (3 Levels) to W | | 23 | | 25 | ns |
| t_{PHL} | Propagation Delay Time High to Low Level Output | Select (3 Levels) to W | | 32 | | 40 | ns |
| t_{PLH} | Propagation Delay Time Low to High Level Output | Strobe to Y | | 42 | | 44 | ns |
| t_{PHL} | Propagation Delay Time High to Low Level Output | Strobe to Y | | 32 | | 40 | ns |
| t_{PLH} | Propagation Delay Time Low to High Level Output | Strobe to W | | 24 | | 27 | ns |
| t_{PHL} | Propagation Delay Time High to Low Level Output | Strobe to W | | 30 | | 36 | ns |
| t_{PLH} | Propagation Delay Time Low to High Level Output | D0 thru D7 to Y | | 32 | | 35 | ns |
| t_{PHL} | Propagation Delay Time High to Low Level Output | D0 thru D7 to Y | | 26 | | 33 | ns |
| t_{PLH} | Propagation Delay Time Low to High Level Output | D0 thru D7 to W | | 21 | | 25 | ns |
| t_{PHL} | Propagation Delay Time High to Low Level Output | D0 thru D7 to W | | 20 | | 27 | ns |

Logic Diagram



Address Buffers for 54LS151/74LS151

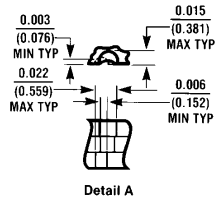
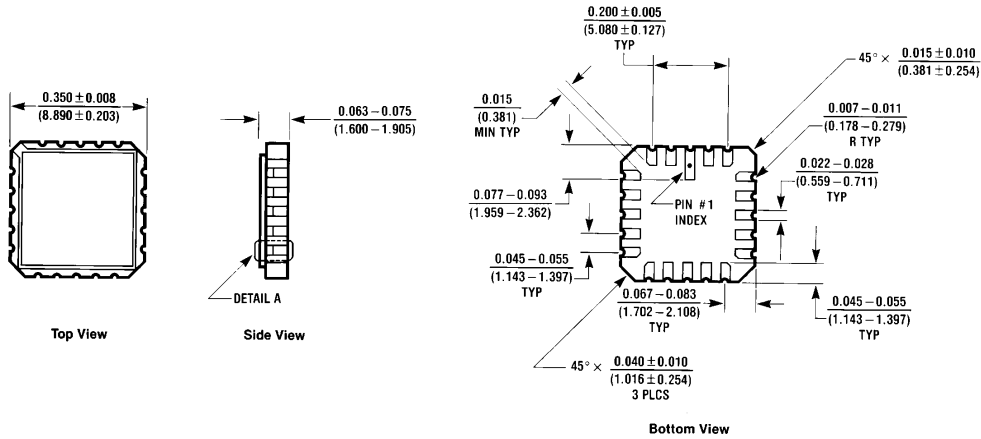


TL/F/6392-3

See Address Buffers to the Right

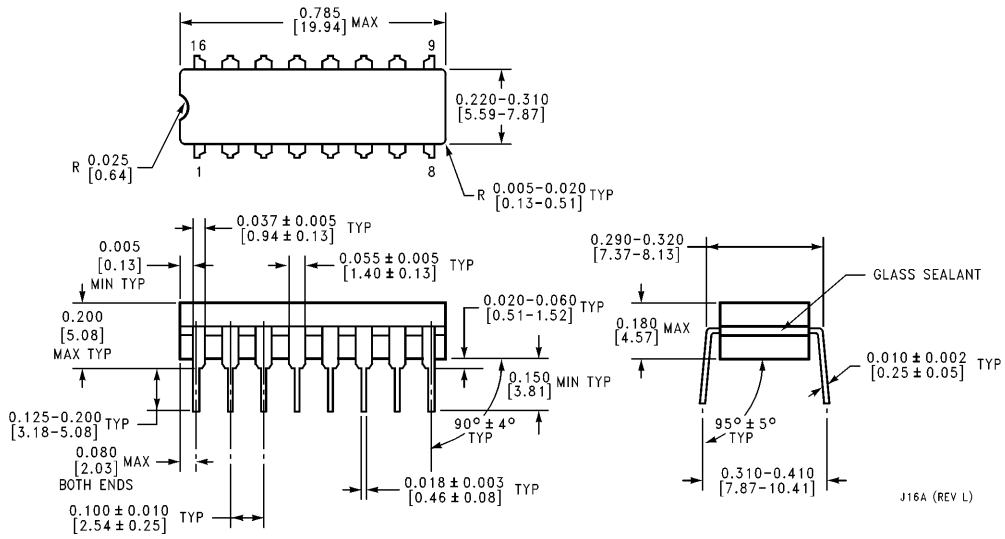
TL/F/6392-2

Physical Dimensions inches (millimeters)



Ceramic Leadless Chip Carrier Package (E)
Order Number 54LS151LMQB
NS Package Number E20A

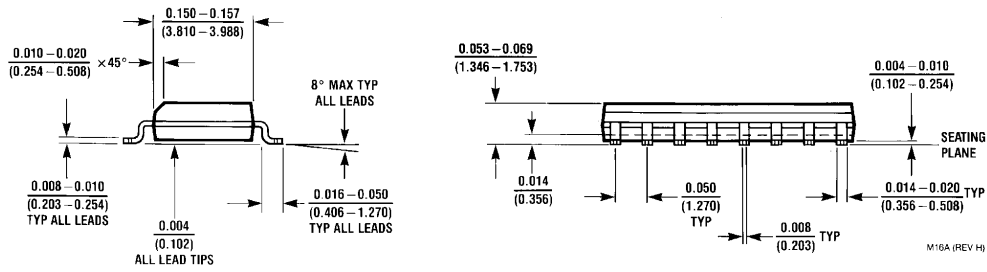
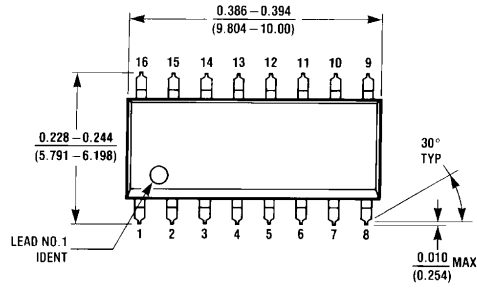
E20A (REV D)



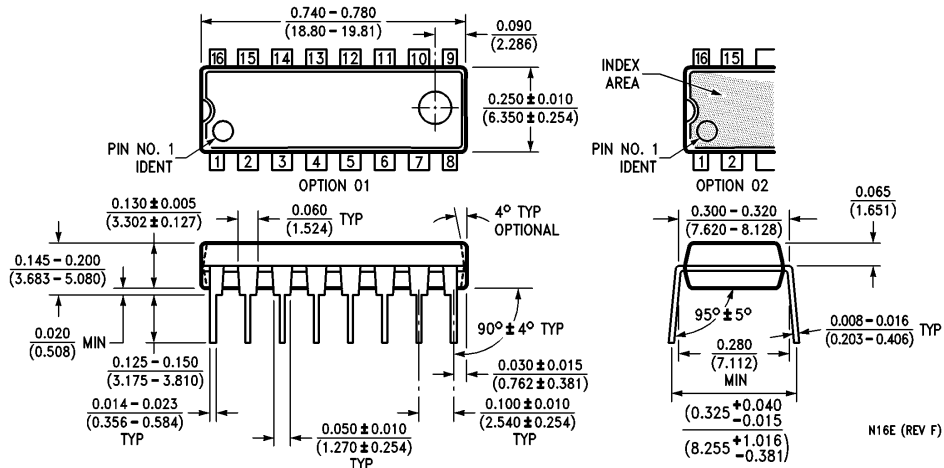
Ceramic Dual-In-Line Package (J)
Order Number 54LS151DMQB or DM54LS151J
NS Package Number J16A

J16A (REV L)

Physical Dimensions inches (millimeters) (Continued)

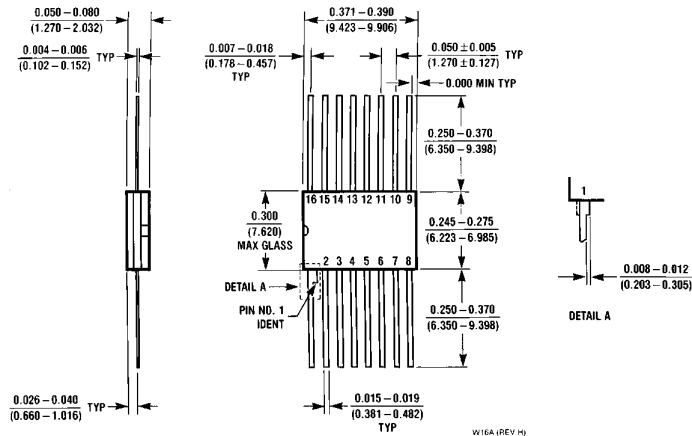


16-Lead Small Outline Molded Package (M)
Order Number DM74LS151M
NS Package Number M16A



16-Lead Molded Dual-In-Line Package (N)
Order Number DM74LS151N
NS Package Number N16E

Physical Dimensions inches (millimeters) (Continued)



16-Lead Ceramic Flat Package (W)
Order Number 54LS151FMB or DM54LS151W
NS Package Number W16A

LIFE SUPPORT POLICY

NATIONAL'S PRODUCTS ARE NOT AUTHORIZED FOR USE AS CRITICAL COMPONENTS IN LIFE SUPPORT DEVICES OR SYSTEMS WITHOUT THE EXPRESS WRITTEN APPROVAL OF THE PRESIDENT OF NATIONAL SEMICONDUCTOR CORPORATION. As used herein:

1. Life support devices or systems are devices or systems which, (a) are intended for surgical implant into the body, or (b) support or sustain life, and whose failure to perform, when properly used in accordance with instructions for use provided in the labeling, can be reasonably expected to result in a significant injury to the user.
2. A critical component is any component of a life support device or system whose failure to perform can be reasonably expected to cause the failure of the life support device or system, or to affect its safety or effectiveness.



National Semiconductor Corporation
 1111 West Bardin Road
 Arlington, TX 76017
 Tel: 1(800) 272-9959
 Fax: 1(800) 737-7018

National Semiconductor Europe
 Fax: (+49) 0-180-530 85 86
 Email: cnjwge@tevm2.nsc.com
 Deutsch Tel: (+49) 0-180-530 85 85
 English Tel: (+49) 0-180-532 78 32
 Français Tel: (+49) 0-180-532 93 58
 Italiano Tel: (+49) 0-180-534 16 80

National Semiconductor Hong Kong Ltd.
 13th Floor, Straight Block,
 Ocean Centre, 5 Canton Rd.
 Tsimshatsui, Kowloon
 Hong Kong
 Tel: (852) 2737-1600
 Fax: (852) 2736-9960

National Semiconductor Japan Ltd.
 Tel: 81-043-299-2309
 Fax: 81-043-299-2408

National does not assume any responsibility for use of any circuitry described, no circuit patent licenses are implied and National reserves the right at any time without notice to change said circuitry and specifications.