

## Description

**Description**

The M16C/80 group of single-chip microcomputers are built using the high-performance silicon gate CMOS process using a M16C/80 Series CPU core and are packaged in a 100-pin and 144-pin plastic molded QFP. The peripheral functions of 100-pin and 144-pin are common. These single-chip microcomputers operate using sophisticated instructions featuring a high level of instruction efficiency. With 16M bytes of address space, they are capable of executing instructions at high speed. They also feature a built-in multiplier and DMAC, making them ideal for controlling office, communications, industrial equipment, and other high-speed processing applications.

**Features**

- Memory capacity ..... ROM (See ROM expansion figure.)  
RAM 10 to 24 Kbytes
- Shortest instruction execution time ..... 50ns (f(XIN)=20MHz)
- Supply voltage ..... 4.2 to 5.5V (f(XIN)=20MHz)  
Mask ROM, external ROM and flash memory versions  
2.7 to 5.5V (f(XIN)=10MHz)  
Mask ROM, external ROM and flash memory versions
- Low power consumption ..... 45mA (M30800MC-XXXFP)  
(f(XIN) = 20MHz without software wait, Vcc=5V)
- Interrupts ..... 29 internal and 8 external interrupt sources, 5 software interrupt sources; 7 levels (including key input interrupt)
- Multifunction 16-bit timer ..... 5 output timers + 6 input timers
- Serial I/O ..... 5 channels for UART or clock synchronous
- DMAC ..... 4 channels (trigger: 31 sources)
- DRAMC ..... Used for EDO, FP, CAS before RAS refresh, self-refresh
- A-D converter ..... 10 bits X 8 channels (Expandable up to 10 channels)
- D-A converter ..... 8 bits X 2 channels
- CRC calculation circuit ..... 1 circuit
- X-Y converter ..... 1 circuit
- Watchdog timer ..... 1 line
- Programmable I/O ..... 87 lines:100-pin version, 123 lines:144-pin version
- Input port ..... 1 line (P85 shared with NMI pin)
- Memory expansion ..... Available (16M bytes)
- Chip select output ..... 4 lines
- Clock generating circuit ..... 2 built-in clock generation circuits  
(built-in feedback resistance, and external ceramic or quartz oscillator)

Specifications written in this manual are believed to be accurate, but are not guaranteed to be entirely free of error. Specifications in this manual may be changed for functional or performance improvements. Please make sure your manual is the latest edition.

**Applications**

Audio, cameras, office equipment, communications equipment, portable equipment, etc.

## -----Table of Contents-----

CPU .....	13	A-D Converter .....	165
Reset .....	18	D-A Converter .....	175
Processor Mode .....	26	CRC Calculation Circuit .....	177
Clock Generating Circuit .....	43	X-Y converter .....	179
Protection .....	55	DRAM controller .....	182
Interrupts .....	56	Programmable I/O Ports .....	189
Watchdog Timer .....	78	Usage Precaution .....	207
DMAC .....	80	Electric characteristics .....	218
Timer .....	91	Flash memory version .....	265
Serial I/O .....	123		

Description

Pin Configuration

Figures 1.1.1 and 1.1.2 show the pin configuration (top view) for 100-pin and Figure 1.1.3 shows the pin configuration (top view) for 144-pin.

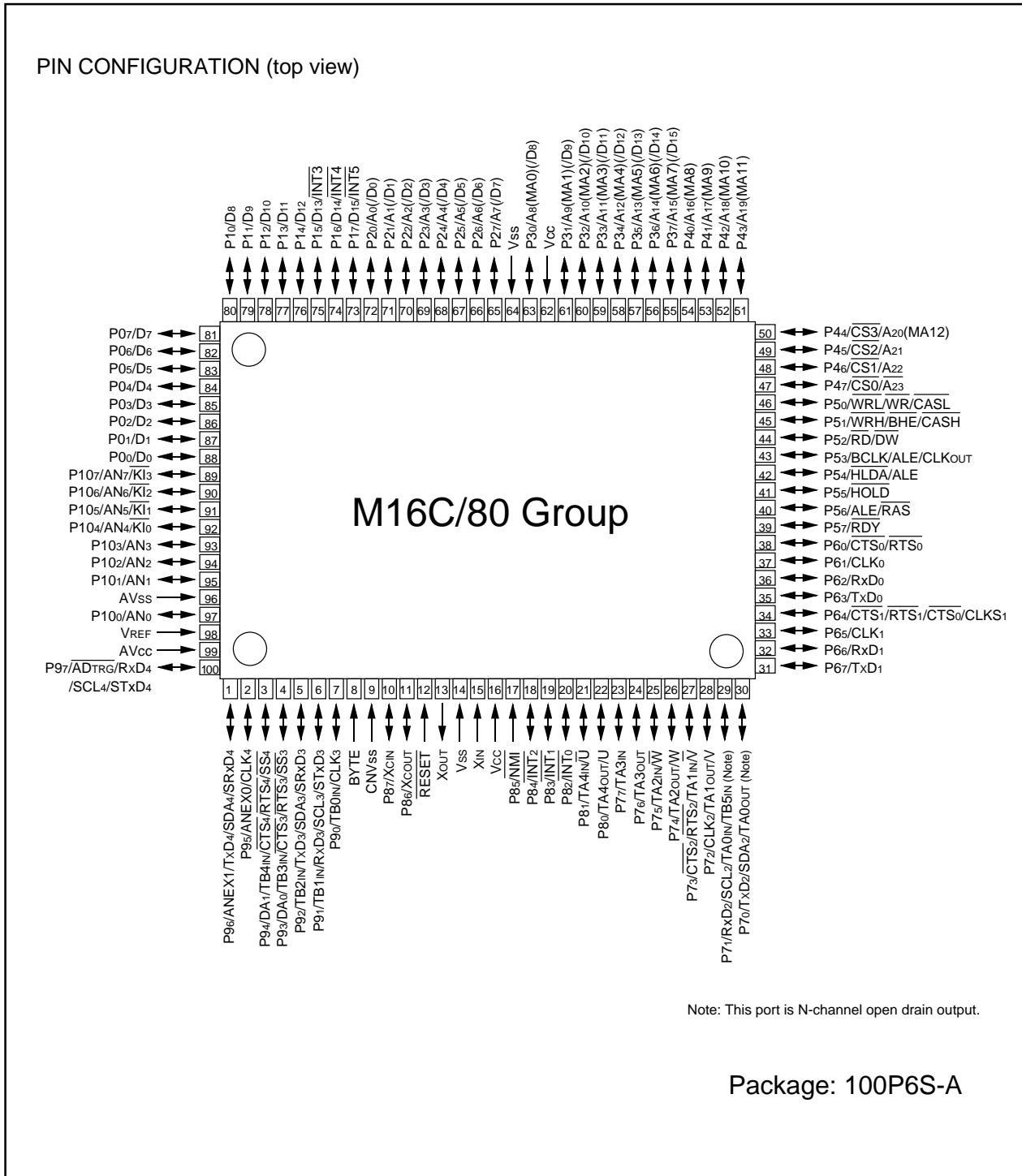


Figure 1.1.1. Pin configuration for 100-pin version (top view) (1)

Description

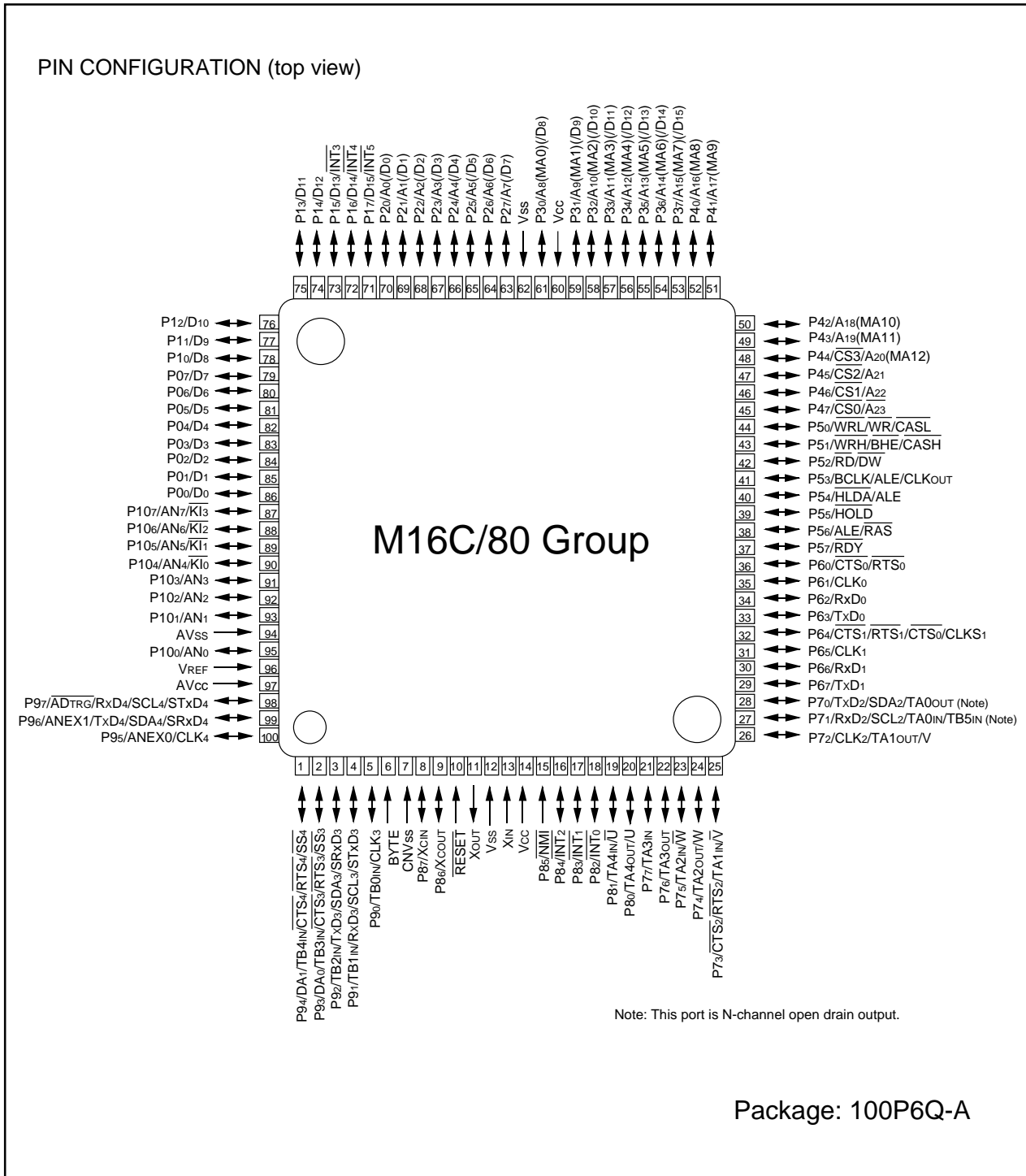


Figure 1.1.2. Pin configuration for 100-pin version (top view) (2)

Description

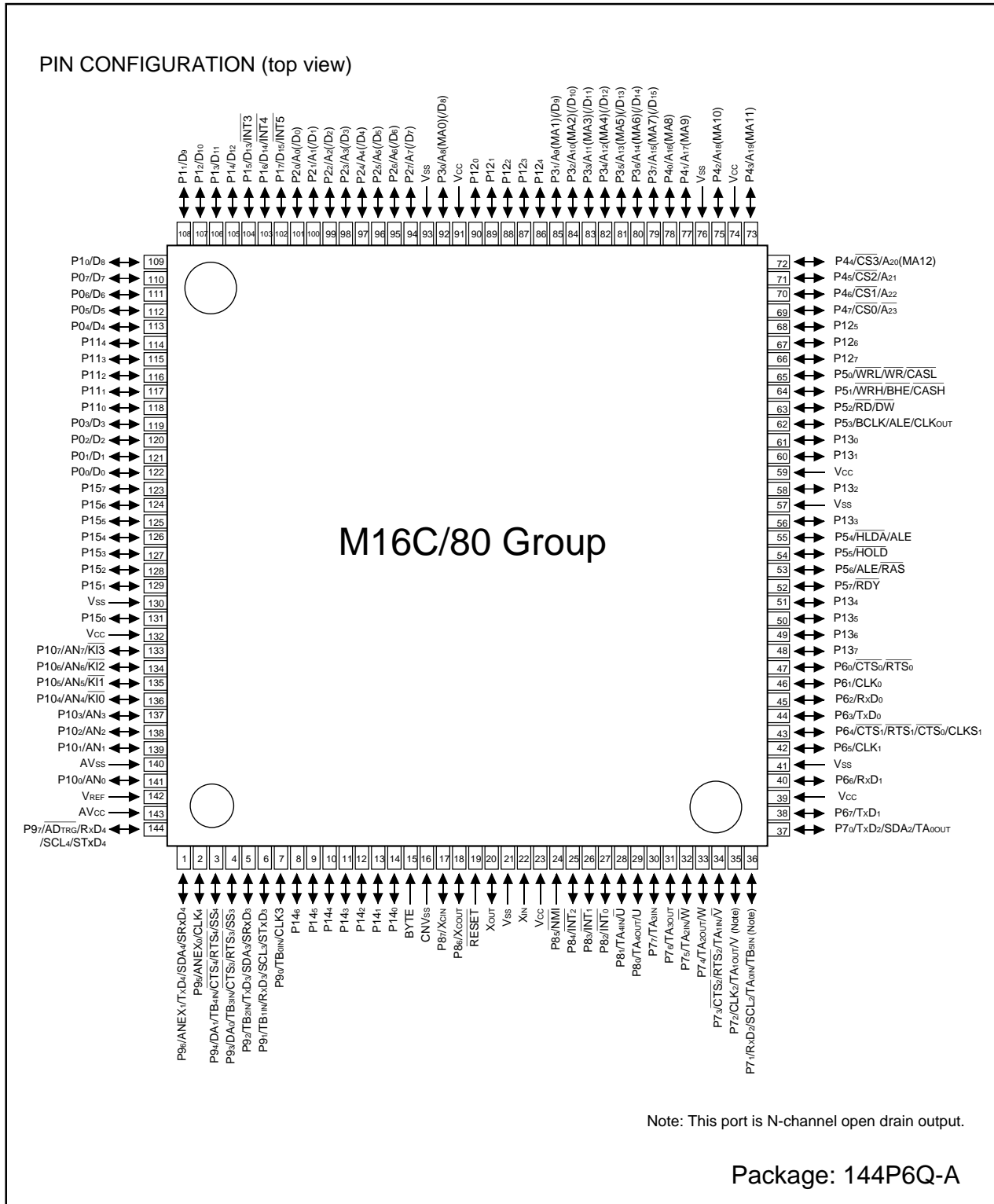


Figure 1.1.3. Pin configuration for 144-pin version (top view)

## Description

## Block Diagram

Figure 1.1.4 is a block diagram of the M16C/80 group.

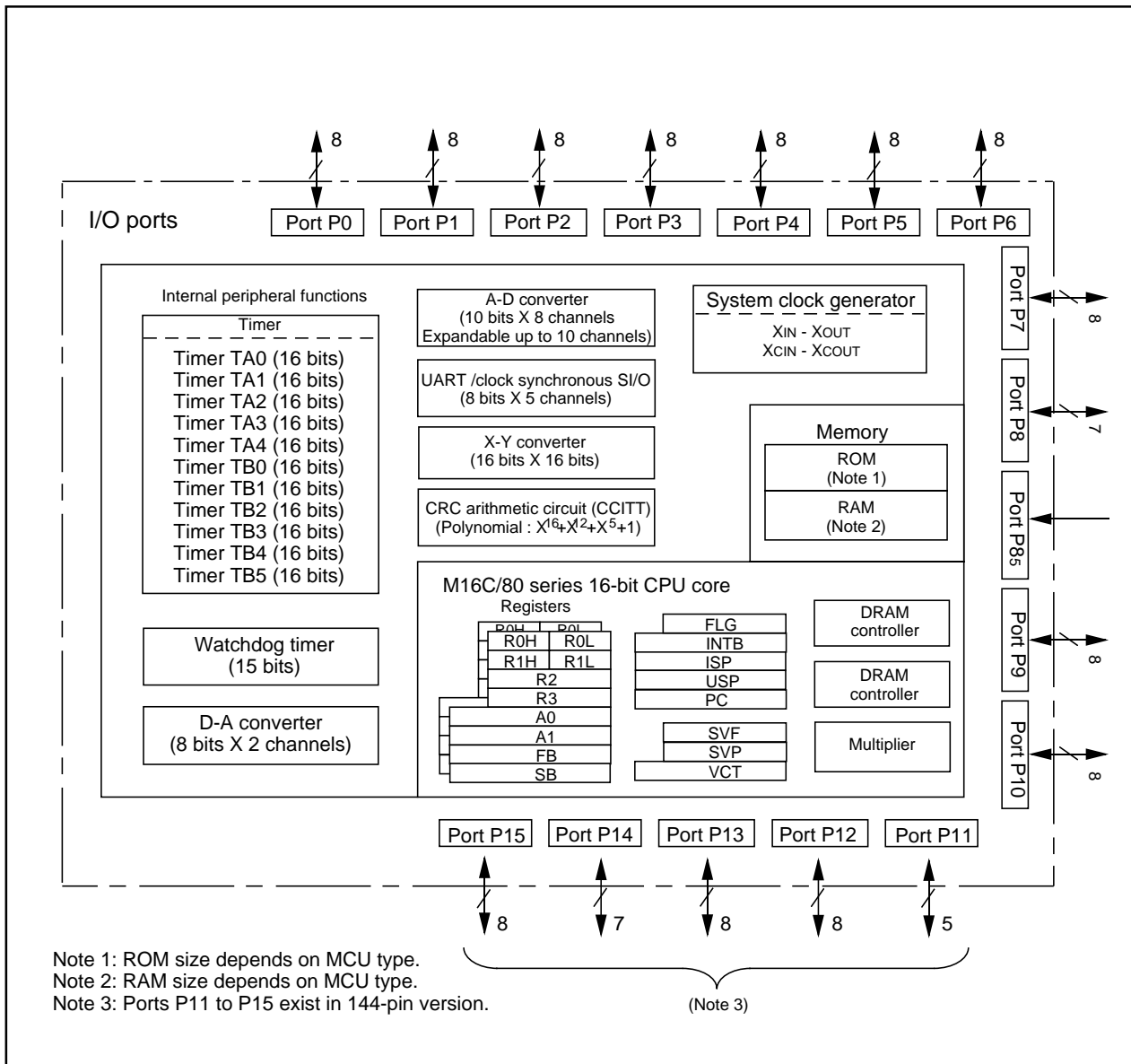


Figure 1.1.4. Block diagram of the M16C/80 group

## Description

## Performance Outline

Table 1.1.1 is a performance outline of M16C/80 group.

**Table 1.1.1. Performance outline of M16C/80 group**

Item		Performance
Number of basic instructions		106 instructions
Shortest instruction execution time		50ns( $f(X_{IN})=20\text{MHz}$ )
Memory capacity	ROM	See ROM expansion figure.
	RAM	10 to 24 K bytes
I/O port	100-pin	P0 to P10 (except P85) 8-bit x 10, 7-bit x 1
	144-pin	P0 to P15 (except P85) 8-bit x 13, 7-bit x 2, 5-bit x 1
Input port	P85	1 bit x 1
Multifunction timer	TA0, TA1, TA2, TA3, TA4	16 bits x 5
	TB0, TB1, TB2, TB3, TB4, TB5	16 bits x 6
Serial I/O	UART0, UART1, UART2, UART3, UART4	(UART or clock synchronous) x 5
A-D converter		10 bits x (8 + 2) channels
D-A converter		8 bits x 2
DMAC		4 channels
DRAM controller		CAS before RAS refresh, self-refresh, EDO, FP
CRC calculation circuit		CRC-CCITT
X-Y converter		16 bits X 16 bits
Watchdog timer		15 bits x 1 (with prescaler)
Interrupt		29 internal and 8 external sources, 5 software sources, 7 levels
Clock generating circuit		2 built-in clock generation circuits (built-in feedback resistance, and external ceramic or quartz oscillator)
Supply voltage		4.2 to 5.5V ( $f(X_{IN})=20\text{MHz}$ ) Mask ROM, external ROM and flash memory versions 2.7 to 5.5V ( $f(X_{IN})=10\text{MHz}$ ) Mask ROM, external ROM and flash memory versions
Power consumption		45mA ( $f(X_{IN}) = 20\text{MHz}$ without software wait, $V_{CC}=5\text{V}$ ) Mask ROM 128 Kbytes version
I/O characteristics	I/O withstand voltage	5V
	Output current	5mA
Memory expansion		Available (up to 16M bytes)
Operating ambient temperature		-40 to 85°C
Device configuration		CMOS high performance silicon gate
Package		100-pin and 144-pin plastic mold QFP

## Description

Mitsubishi plans to release the following products in the M16C/80 group:

- (1) Support for mask ROM version, external ROM version and flash memory version
- (2) ROM capacity
- (3) Package
  - 100P6S-A : Plastic molded QFP (mask ROM version and flash memory version)
  - 100P6Q-A : Plastic molded QFP (mask ROM version and flash memory version)
  - 144P6Q-A : Plastic molded QFP (mask ROM version and flash memory version)

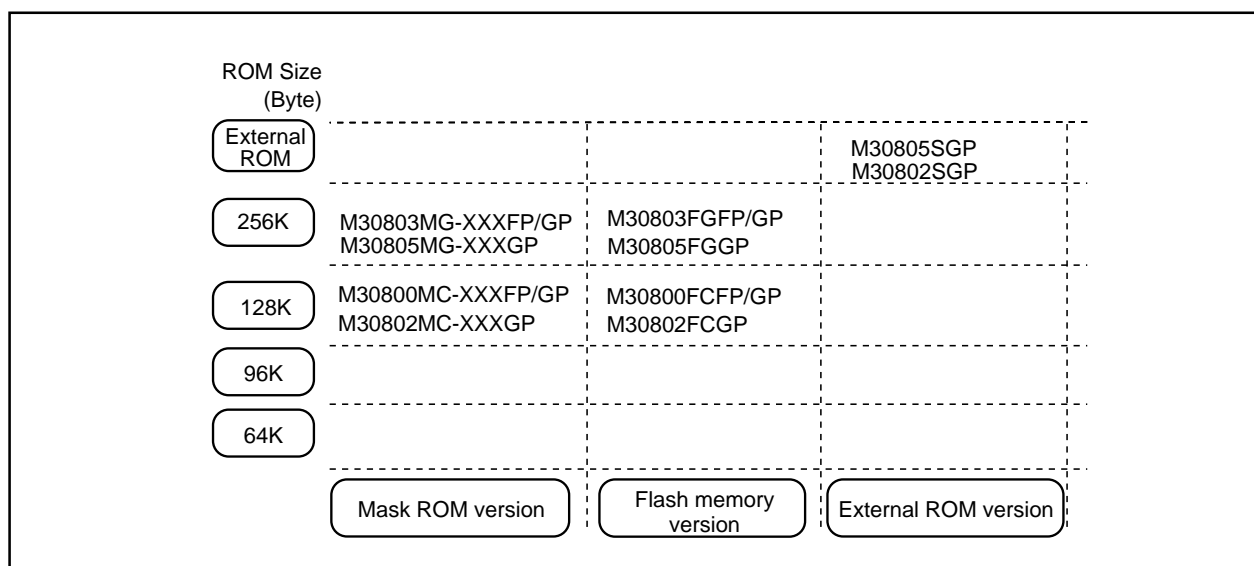


Figure 1.1.5. ROM expansion

The M16C/80 group products currently supported are listed in Table 1.1.2.

Table 1.1.2. M16C/80 group

As of August, 2000

Type No	ROM capacity	RAM capacity	Package type	Remarks
M30800MC-XXXFP	128K bytes	10K bytes	100P6S-A	Mask ROM version
M30800MC-XXXGP			100P6Q-A	
M30803MG-XXXFP	256K bytes	20K bytes	100P6S-A	
M30803MG-XXXGP			100P6Q-A	
M30800FCFP **	128K bytes	10K bytes	100P6S-A	Flash memory version
M30800FCGP **			100P6Q-A	
M30803FGFP **	256K bytes	20K bytes	100P6S-A	
M30803FGGP **			100P6Q-A	
M30802MC-XXXGP	128K bytes	10K bytes	144P6Q-A	Mask ROM version
M30805MG-XXXGP	256K bytes	20K bytes		
M30802FCGP **	128K bytes	10K bytes		Flash memory version
M30805FGGP **	256K bytes	20K bytes		
M30802SGP	—	10K bytes		External ROM version
M30805SGP	—	24K bytes		

\*\* :Under development

## Description

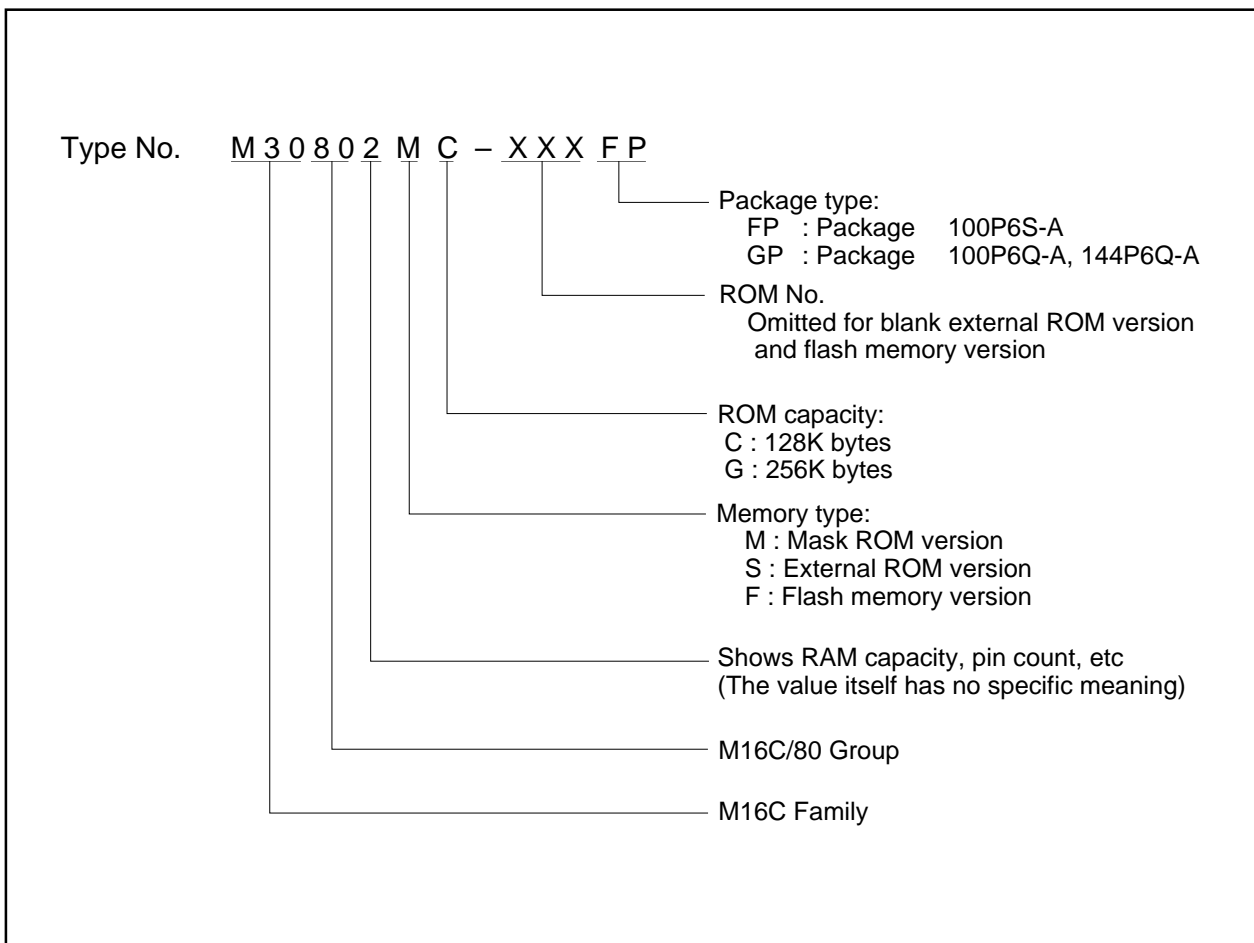


Figure 1.1.6. Type No., memory size, and package



## Pin Description

## Pin Description (1)

Pin name	Signal name	I/O type	Function
Vcc, Vss	Power supply input		Supply 4.2 (2.7) to 5.5 V to the Vcc pin. Supply 0 V to the Vss pin.
CNVss	CNVss	I	This pin switches between processor modes. Connect it to the Vss when operating in single-chip or memory expansion mode after reset. Connect it to the Vcc when in microprocessor mode after reset.
$\overline{\text{RESET}}$	Reset input	I	An "L" on this input resets the microcomputer.
XIN XOUT	Clock input Clock output	I O	These pins are provided for the main clock generating circuit. Connect a ceramic resonator or crystal between the XIN and the XOUT pins. To use an externally derived clock, input it to the XIN pin and leave the XOUT pin open.
BYTE	External data bus width select input	I	This pin selects the width of an data bus in the external area 3. A 16-bit width is selected when this input is "L"; an 8-bit width is selected when this input is "H". This input must be fixed to either "H" or "L". When not using the external bus, connect this pin to Vss.
AVcc	Analog power supply input		This pin is a power supply input for the A-D converter. Connect this pin to Vcc.
AVss	Analog power supply input		This pin is a power supply input for the A-D converter. Connect this pin to Vss.
VREF	Reference voltage input	I	This pin is a reference voltage input for the A-D converter.
P00 to P07	I/O port P0	I/O	This is an 8-bit CMOS I/O port. It has an input/output port direction register that allows the user to set each pin for input or output individually. When set for input in single chip mode, the user can specify in units of four bits via software whether or not they are tied to a pull-up resistance. In memory expansion and microprocessor mode, an built-in pull-up resistance cannot be used. However, it is possible to select pull-up resistance presence to the usable port as I/O port by setting.
D0 to D7		I/O	When set as a separate bus, these pins input and output data (D0–D7).
P10 to P17	I/O port P1	I/O	This is an 8-bit I/O port equivalent to P0. P15 to P17 also function as external interrupt pins as selected by software.
D8 to D15		I/O	When set as a separate bus, these pins input and output data (D8–D15).
P20 to P27	I/O port P2	I/O	This is an 8-bit I/O port equivalent to P0.
A0 to A7		O	These pins output 8 low-order address bits (A0–A7).
A0/D0 to A7/D7		I/O	If a multiplexed bus is set, these pins input and output data (D0–D7) and output 8 low-order address bits (A0–A7) separated in time by multiplexing.
P30 to P37	I/O port P3	I/O	This is an 8-bit I/O port equivalent to P0.
A8 to A15		O	These pins output 8 middle-order address bits (A8–A15).
A8/D8 to A15/D15		I/O	If the external bus is set as a 16-bit wide multiplexed bus, these pins input and output data (D8–D15) and output 8 middle-order address bits (A8–A15) separated in time by multiplexing.
MA0 to MA7		O	If accessing to DRAM area, these pins output row address and column address separated in time by multiplexing.

## Pin Description

## Pin Description (2)

Pin name	Signal name	I/O type	Function
P40 to P47	I/O port P4	I/O	This is an 8-bit I/O port equivalent to P0.
A16 to A22, A23		O	These pins output 8 high-order address bits (A16–A22, A23). Highest address bit (A23) outputs inversely.
CS0 to CS3		O	These pins output CS0–CS3 signals. CS0–CS3 are chip select signals used to specify an access space.
MA8 to MA12		O	If accessing to DRAM area, these pins output row address and column address separated in time by multiplexing.
P50 to P57	I/O port P5	I/O	This is an 8-bit I/O port equivalent to P0. P53 in this port outputs a divide-by-8 or divide-by-32 clock of XIN or a clock of the same frequency as XCIN as selected by software.
$\overline{WRL}$ / $\overline{WR}$ , $\overline{WRH}$ / $\overline{BHE}$ , $\overline{RD}$ , $\overline{BCLK}$ , $\overline{HLDA}$ , $\overline{HOLD}$ ,  $\overline{ALE}$ , $\overline{RDY}$		O O O O O I  O I	Output $\overline{WRL}$ , $\overline{WRH}$ ( $\overline{WR}$ and $\overline{BHE}$ ), $\overline{RD}$ , $\overline{BCLK}$ , $\overline{HLDA}$ , and $\overline{ALE}$ signals. $\overline{WRL}$ and $\overline{WRH}$ , and $\overline{BHE}$ and $\overline{WR}$ can be switched using software control. <ul style="list-style-type: none"> <li>■ <math>\overline{WRL}</math>, <math>\overline{WRH}</math>, and <math>\overline{RD}</math> selected With a 16-bit external data bus, data is written to even addresses when the <math>\overline{WRL}</math> signal is "L" and to the odd addresses when the <math>\overline{WRH}</math> signal is "L". Data is read when <math>\overline{RD}</math> is "L".</li> <li>■ <math>\overline{WR}</math>, <math>\overline{BHE}</math>, and <math>\overline{RD}</math> selected Data is written when <math>\overline{WR}</math> is "L". Data is read when <math>\overline{RD}</math> is "L". Odd addresses are accessed when <math>\overline{BHE}</math> is "L". Use this mode when using an 8-bit external data bus.</li> </ul> While the input level at the $\overline{HOLD}$ pin is "L", the microcomputer is placed in the hold state. While in the hold state, $\overline{HLDA}$ outputs an "L" level. $\overline{ALE}$ is used to latch the address. While the input level of the $\overline{RDY}$ pin is "L", the bus of microcomputer is in the wait state.
$\overline{DW}$ , $\overline{CASL}$ , $\overline{CASH}$ , $\overline{RAS}$		O O O O	When accessing to DRAM area while $\overline{DW}$ signal is "L", write to DRAM. $\overline{CASL}$ and $\overline{CASH}$ show timing when latching to line address. When $\overline{CASL}$ accesses to even address, and $\overline{CASH}$ to odd, these two pins become "L". $\overline{RAS}$ signal shows timing when latching to row address.
P60 to P67	I/O port P6	I/O	This is an 8-bit I/O port equivalent to P0. When set for input in single chip mode, microprocessor mode and memory expansion mode the user can specify in units of four bits via software whether or not they are tied to a pull-up resistance. Pins in this port also function as UART0 and UART1 I/O pins as selected by software.
P70 to P77	I/O port P7	I/O	This is an 8-bit I/O port equivalent to P6 (P70 and P71 are N-channel open drain output). Pins in this port also function as timer A0–A3, timer B5 or UART2 I/O pins as selected by software.
P80 to P84, P86, P87, P85	I/O port P8  I/O port P85	I/O I/O I/O I	P80 to P84, P86, and P87 are I/O ports with the same functions as P6. Using software, they can be made to function as the I/O pins for timer A4 and the input pins for external interrupts. P86 and P87 can be set using software to function as the I/O pins for a sub clock generation circuit. In this case, connect a quartz oscillator between P86 (XCOUT pin) and P87 (XCIN pin). P85 is an input-only port that also functions for NMI. The NMI interrupt is generated when the input at this pin changes from "H" to "L". The NMI function cannot be canceled using software. The pull-up cannot be set for this pin.
P90 to P97	I/O port P9	I/O	This is an 8-bit I/O port equivalent to P6. Pins in this port also function as UART3 and UART4 I/O pins, Timer B0–B4 input pins, D-A converter output pins, A-D converter extended input pins, or A-D trigger input pins as selected by software.
P100 to P107	I/O port P10	I/O	This is an 8-bit I/O port equivalent to P6. Pins in this port also function as A-D converter input pins. Furthermore, P104–P107 also function as input pins for the key input interrupt function.

## Pin Description

**Pin Description (3)**

Pin name	Signal name	I/O type	Function
P110 to P114 (Note)	I/O port P11	I/O	This is an 5-bit I/O port equivalent to P6.
P120 to P127 (Note)	I/O port P12	I/O	This is an 8-bit I/O port equivalent to P6.
P130 to P137 (Note)	I/O port P13	I/O	This is an 8-bit I/O port equivalent to P6.
P140 to P146 (Note)	I/O port P14	I/O	This is an 7-bit I/O port equivalent to P6.
P150 to P157 (Note)	I/O port P15	I/O	This is an 8-bit I/O port equivalent to P6.

Note : Port P11 to P15 exist in 144-pin version.

## Memory

## Operation of Functional Blocks

The M16C/80 group accommodates certain units in a single chip. These units include ROM and RAM to store instructions and data and the central processing unit (CPU) to execute arithmetic/logic operations. Also included are peripheral units such as timers, serial I/O, D-A converter, DMAC, CRC calculation circuit, A-D converter, DRAM controller and I/O ports.

The following explains each unit.

## Memory

Figure 1.2.1 is a memory map of the M16C/80 group. The address space extends the 16 Mbytes from address  $000000_{16}$  to  $FFFFFF_{16}$ . From  $FFFFFF_{16}$  down is ROM. For example, in the M30800MC-XXXFP, there is 128K bytes of internal ROM from  $FE0000_{16}$  to  $FFFFFF_{16}$ . The vector table for fixed interrupts such as the reset and NMI are mapped to  $FFFDC_{16}$  to  $FFFFFF_{16}$ . The starting address of the interrupt routine is stored here. The address of the vector table for timer interrupts, etc., can be set as desired using the internal register (INTB). See the section on interrupts for details.

From  $000400_{16}$  up is RAM. For example, in the M30800MC-XXXFP, 10 Kbytes of internal RAM is mapped to the space from  $000400_{16}$  to  $002BFF_{16}$ . In addition to storing data, the RAM also stores the stack used when calling subroutines and when interrupts are generated.

The SFR area is mapped to  $000000_{16}$  to  $0003FF_{16}$ . This area accommodates the control registers for peripheral devices such as I/O ports, A-D converter, serial I/O, and timers, etc. Figure 1.5.1 to 1.5.4 are location of peripheral unit control registers. Any part of the SFR area that is not occupied is reserved and cannot be used for other purposes.

The special page vector table is mapped to  $FFFE00_{16}$  to  $FFFDB_{16}$ . If the starting addresses of subroutines or the destination addresses of jumps are stored here, subroutine call instructions and jump instructions can be used as 2-byte instructions, reducing the number of program steps.

In memory expansion mode and microprocessor mode, a part of the spaces are reserved and cannot be used. For example, in the M30800MC-XXXFP, the following spaces cannot be used.

- The space between  $002C00_{16}$  and  $008000_{16}$  (Memory expansion and microprocessor modes)
- The space between  $F00000_{16}$  and  $FDFFFF_{16}$  (Memory expansion mode)

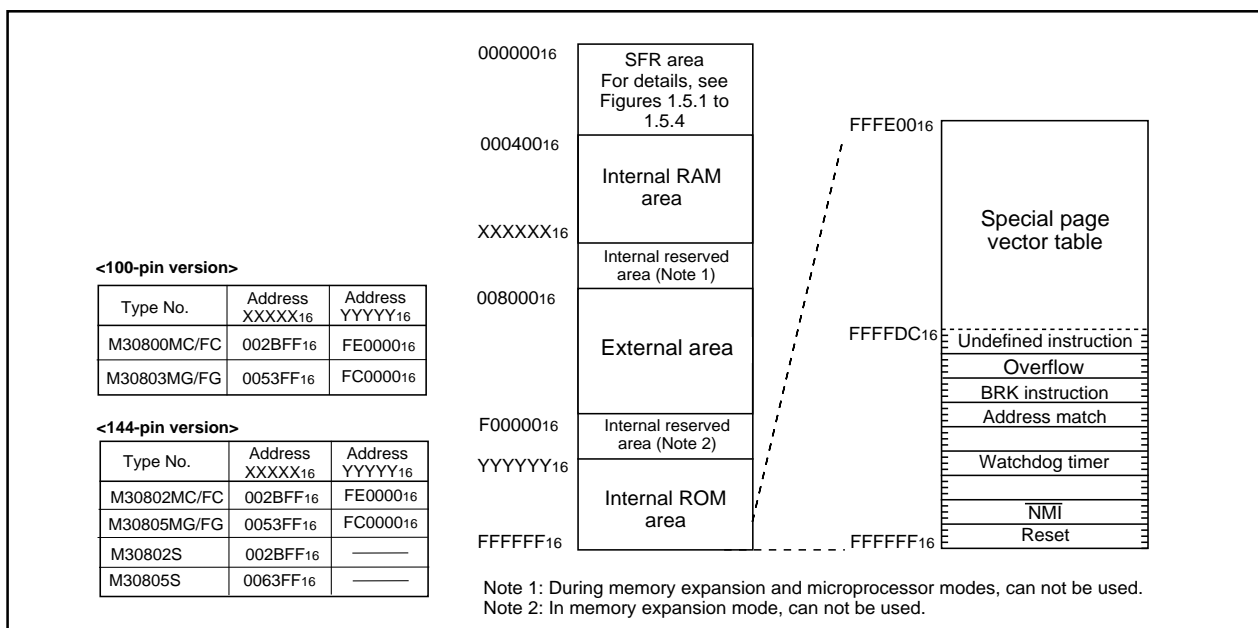


Figure 1.2.1. Memory map

### Central Processing Unit (CPU)

The CPU has a total of 28 registers shown in Figure 1.3.1. Eight of these registers (R0, R1, R2, R3, A0, A1, SB and FB) come in two sets; therefore, these have two register banks.

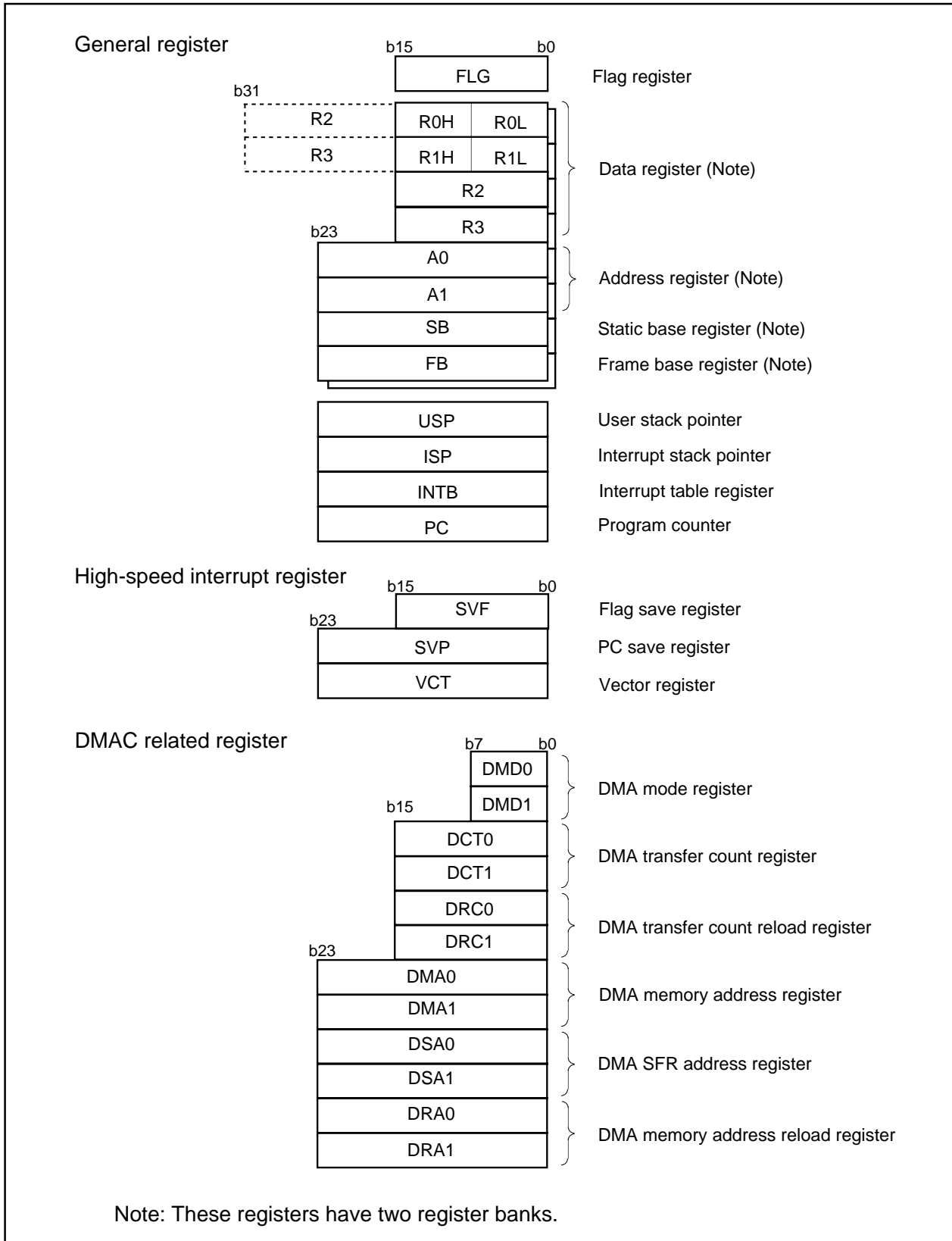


Figure 1.3.1. Central processing unit register

**(1) Data registers (R0, R0H, R0L, R1, R1H, R1L, R2, R3, R2R0 and R3R1)**

Data registers (R0, R1, R2, and R3) are configured with 16 bits, and are used primarily for transfer and arithmetic/logic operations.

Registers R0 and R1 each can be used as separate 8-bit data registers, high-order bits as (R0H/R1H), and low-order bits as (R0L/R1L). Registers R2 and R0, as well as R3 and R1 can use as 32-bit data registers (R2R0/R3R1).

**(2) Address registers (A0 and A1)**

Address registers (A0 and A1) are configured with 24 bits, and have functions equivalent to those of data registers. These registers can also be used for address register indirect addressing and address register relative addressing.

**(3) Static base register (SB)**

Static base register (SB) is configured with 24 bits, and is used for SB relative addressing.

**(4) Frame base register (FB)**

Frame base register (FB) is configured with 24 bits, and is used for FB relative addressing.

**(5) Program counter (PC)**

Program counter (PC) is configured with 24 bits, indicating the address of an instruction to be executed.

**(6) Interrupt table register (INTB)**

Interrupt table register (INTB) is configured with 24 bits, indicating the start address of an interrupt vector table.

**(7) User stack pointer (USP), interrupt stack pointer (ISP)**

Stack pointer comes in two types: user stack pointer (USP) and interrupt stack pointer (ISP), each configured with 24 bits.

Your desired type of stack pointer (USP or ISP) can be selected by a stack pointer select flag (U flag).

This flag is located at the position of bit 7 in the flag register (FLG).

Set USP and ISP to an even number so that execution efficiency is increased.

**(8) Save flag register (SVF)**

This register consists of 16 bits and is used to save the flag register when a high-speed interrupt is generated.

**(9) Save PC register (SVP)**

This register consists of 24 bits and is used to save the program counter when a high-speed interrupt is generated.

**(10) Vector register (VCT)**

This register consists of 24 bits and is used to indicate the jump address when a high-speed interrupt is generated.

**(11) DMA mode registers (DMD0/DMD1)**

These registers consist of 8 bits and are used to set the transfer mode, etc. for DMA.

**(12) DMA transfer count registers (DCT0/DCT1)**

These registers consist of 16 bits and are used to set the number of DMA transfers performed.

**(13) DMA transfer count reload registers (DRC0/DRC1)**

These registers consist of 16 bits and are used to reload the DMA transfer count registers.

**(14) DMA memory address registers (DMA0/DMA1)**

These registers consist of 24 bits and are used to set a memory address at the source or destination of DMA transfer.

**(15) DMA SFR address registers (DSA0/DSA1)**

These registers consist of 24 bits and are used to set a fixed address at the source or destination of DMA transfer.

**(16) DMA memory address reload registers (DRA0/DRA1)**

These registers consist of 24 bits and are used to reload the DMA memory address registers.

## (17) Flag register (FLG)

Flag register (FLG) is configured with 11 bits, each bit is used as a flag. Figure 1.3.2 shows the flag register (FLG). The following explains the function of each flag:

- **Bit 0: Carry flag (C flag)**

This flag retains a carry, borrow, or shift-out bit that has occurred in the arithmetic/logic unit.

- **Bit 1: Debug flag (D flag)**

This flag enables a single-step interrupt.

When this flag is “1”, a single-step interrupt is generated after instruction execution. This flag is cleared to “0” when the interrupt is acknowledged.

- **Bit 2: Zero flag (Z flag)**

This flag is set to “1” when an arithmetic operation resulted in 0; otherwise, cleared to “0”.

- **Bit 3: Sign flag (S flag)**

This flag is set to “1” when an arithmetic operation resulted in a negative value; otherwise, cleared to “0”.

- **Bit 4: Register bank select flag (B flag)**

This flag chooses a register bank. Register bank 0 is selected when this flag is “0”; register bank 1 is selected when this flag is “1”.

- **Bit 5: Overflow flag (O flag)**

This flag is set to “1” when an arithmetic operation resulted in overflow; otherwise, cleared to “0”.

- **Bit 6: Interrupt enable flag (I flag)**

This flag enables a maskable interrupt.

An interrupt is disabled when this flag is “0”, and is enabled when this flag is “1”. This flag is cleared to “0” when the interrupt is acknowledged.

- **Bit 7: Stack pointer select flag (U flag)**

Interrupt stack pointer (ISP) is selected when this flag is “0”; user stack pointer (USP) is selected when this flag is “1”.

This flag is cleared to “0” when a hardware interrupt is acknowledged or an INT instruction of software interrupt Nos. 0 to 31 is executed.

- **Bits 8 to 11: Reserved area**



• **Bits 12 to 14: Processor interrupt priority level (IPL)**

Processor interrupt priority level (IPL) is configured with three bits, for specification of up to eight processor interrupt priority levels from level 0 to level 7.

If a requested interrupt has priority greater than the processor interrupt priority level (IPL), the interrupt is enabled.

• **Bit 15: Reserved area**

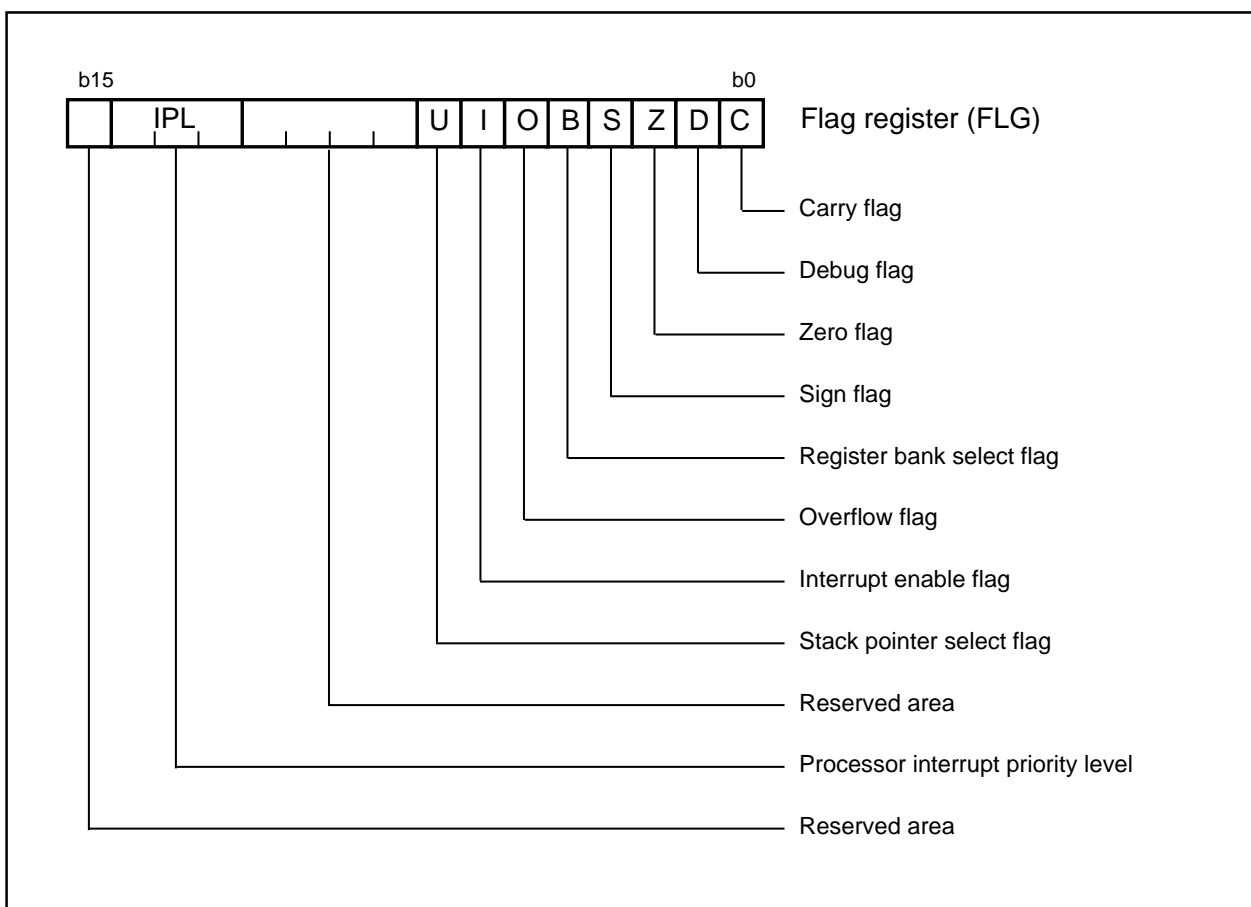


Figure 1.3.2. Flag register (FLG)

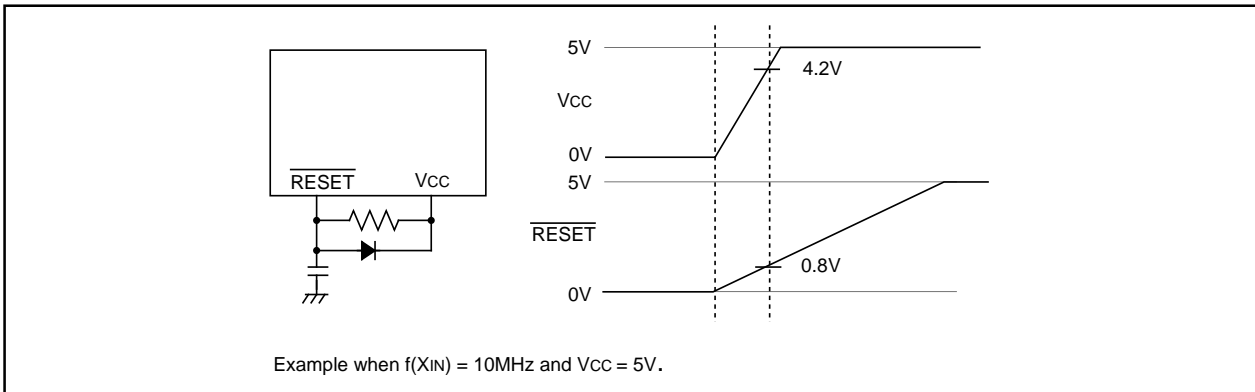
# Reset

## Reset

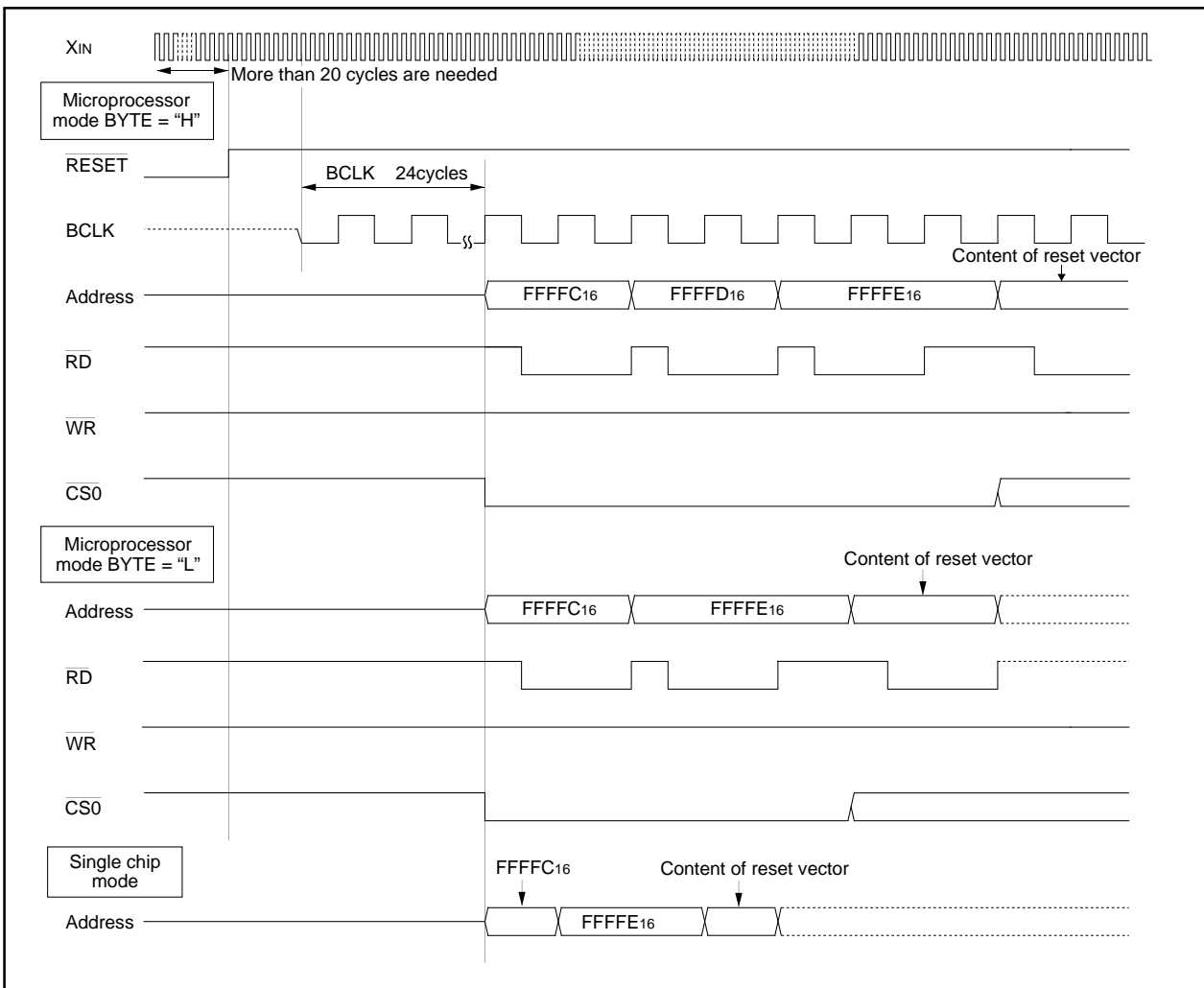
There are two kinds of resets; hardware and software. In both cases, operation is the same after the reset. (See "Software Reset" for details of software resets.) This section explains on hardware resets.

When the supply voltage is in the range where operation is guaranteed, a reset is effected by holding the reset pin level "L" (0.2V<sub>CC</sub> max.) for at least 20 cycles. When the reset pin level is then returned to the "H" level while main clock is stable, the reset status is cancelled and program execution resumes from the address in the reset vector table.

Figure 1.4.1 shows the example reset circuit. Figure 1.4.2 shows the reset sequence.



**Figure 1.4.1. Example reset circuit**



**Figure 1.4.2. Reset sequence**

## Reset

Table 1.4.1 shows the statuses of the other pins while the  $\overline{\text{RESET}}$  pin level is "L". Figures 1.4.3 and 1.4.4 show the internal status of the microcomputer immediately after the reset is cancelled.

**Table 1.4.1. Pin status when  $\overline{\text{RESET}}$  pin level is "L"**

Pin name	Status		
	CNVss = Vss	CNVss = Vcc	
		BYTE = Vss	BYTE = Vcc
P0	Input port (floating)	Data input (floating)	Data input (floating)
P1	Input port (floating)	Data input (floating)	Input port (floating)
P2, P3, P4	Input port (floating)	Address output (undefined)	Address output (undefined)
P50	Input port (floating)	$\overline{\text{WR}}$ output ("H" level is output)	$\overline{\text{WR}}$ output ("H" level is output)
P51	Input port (floating)	$\overline{\text{BHE}}$ output (undefined)	$\overline{\text{BHE}}$ output (undefined)
P52	Input port (floating)	$\overline{\text{RD}}$ output ("H" level is output)	$\overline{\text{RD}}$ output ("H" level is output)
P53	Input port (floating)	BCLK output	BCLK output
P54	Input port (floating)	$\overline{\text{HLDA}}$ output (The output value depends on the input to the HOLD pin)	$\overline{\text{HLDA}}$ output (The output value depends on the input to the HOLD pin)
P55	Input port (floating)	$\overline{\text{HOLD}}$ input (floating)	$\overline{\text{HOLD}}$ input (floating)
P56	Input port (floating)	$\overline{\text{RAS}}$ output	$\overline{\text{RAS}}$ output
P57	Input port (floating)	$\overline{\text{RDY}}$ input (floating)	$\overline{\text{RDY}}$ input (floating)
P6, P7, P80 to P84, P86, P87, P9, P10,	Input port (floating)	Input port (floating)	Input port (floating)
P11, P12, P13, P14, P15 (Note)	Input port (floating)	Input port (floating)	Input port (floating)

Note :Port P11 to P15 exist in 144-pin vrsion.

Reset

(1) Processor mode register 0 (Note1)	(000416)...	8016	(30) Timer B3 interrupt control register	(007816)...	XXXX?000
(2) Processor mode register 1	(000516)...	0016	(31) INT5 interrupt control register	(007A16)...	XX00?000
(3) System clock control register 0	(000616)...	0816	(32) INT3 interrupt control register	(007C16)...	XX00?000
(4) System clock control register 1	(000716)...	2016	(33) INT1 interrupt control register	(007E16)...	XX00?000
(5) Wait control register	(000816)...	FF16	(34) DMA1 interrupt control register	(008816)...	XXXX?000
(6) Address match interrupt enable register	(000916)...	XXXX0000	(35) UART2 transmit/NACK interrupt control register	(008916)...	XXXX?000
(7) Protect register	(000A16)...	XXXX0000	(36) DMA3 interrupt control register	(008A16)...	XXXX?000
(8) External data bus width control register (Note 2)	(000B16)...	XXXX?000	(37) UART3 transmit/NACK interrupt control register	(008B16)...	XXXX?000
(9) Main clock divided register	(000C16)...	XXXX0100	(38) Timer A1 interrupt control register	(008C16)...	XXXX?000
(10) Watchdog timer control register	(000F16)...	000????	(39) UART4 receive/NACK interrupt control register	(008D16)...	XXXX?000
(11) Address match interrupt register 0	(001016)...	0016	(40) Timer A3 interrupt control register	(008E16)...	XXXX?000
	(001116)...	0016	(41) Bus collision detection(UART2) interrupt control register	(008F16)...	XXXX?000
	(001216)...	0016	(42) UART0 transmit interrupt control register	(009016)...	XXXX?000
(12) Address match interrupt register 1	(001416)...	0016	(43) Bus collision detection(UART4) interrupt control register	(009116)...	XXXX?000
	(001516)...	0016	(44) UART1 transmit interrupt control register	(009216)...	XXXX?000
	(001616)...	0016	(45) Key input interrupt control register	(009316)...	XXXX?000
(13) Address match interrupt register 2	(001816)...	0016	(46) Timer B0 interrupt control register	(009416)...	XXXX?000
	(001916)...	0016	(47) Timer B2 interrupt control register	(009616)...	XXXX?000
	(001A16)...	0016	(48) Timer B4 interrupt control register	(009816)...	XXXX?000
(14) Address match interrupt register 3	(001C16)...	0016	(49) INT4 interrupt control register	(009A16)...	XX00?000
	(001D16)...	0016	(50) INT2 interrupt control register	(009C16)...	XX00?000
	(001E16)...	0016	(51) INT0 interrupt control register	(009E16)...	XX00?000
(15) DMAM control register	(004016)...	?XXXX???	(52) Exit priority register	(009F16)...	XXXX0000
(16) DMA0 interrupt control register	(006816)...	XXXX?000	(53) XY control register	(02E016)...	XXXXXXXX00
(17) Timer B5 interrupt control register	(006916)...	XXXX?000	(54) UART4 special mode register 3	(02F516)...	0016
(18) DMA2 interrupt control register	(006A16)...	XXXX?000	(55) UART4 special mode register 2	(02F616)...	0016
(19) UART2 receive/ACK interrupt control register	(006B16)...	XXXX?000	(56) UART4 special mode register	(02F716)...	0016
(20) Timer A0 interrupt control register	(006C16)...	XXXX?000	(57) UART4 transmit/receive mode register	(02F816)...	0016
(21) UART3 receive/ACK interrupt control register	(006D16)...	XXXX?000	(58) UART4 transmit/receive control register 0	(02FC16)...	0816
(22) Timer A2 interrupt control register	(006E16)...	XXXX?000	(59) UART4 transmit/receive control register 1	(02FD16)...	0216
(23) UART4 receive/ACK interrupt control register	(006F16)...	XXXX?000	(60) Timer B3,4,5 count start flag	(030016)...	000XXXXX
(24) Timer A4 interrupt control register	(007016)...	XXXX?000	(61) Three-phase PWM control register 0	(030816)...	0016
(25) Bus collision detection(UART3) interrupt control register	(007116)...	XXXX?000	(62) Three-phase PWM control register 1	(030916)...	0000?000
(26) UART0 receive interrupt control register	(007216)...	XXXX?000	(63) Three-phase output buffer register 0	(030A16)...	0016
(27) A-D conversion interrupt control register	(007316)...	XXXX?000	(64) Three-phase output buffer register 1	(030B16)...	0016
(28) UART1 receive interrupt control register	(007416)...	XXXX?000	(65) Timer B3 mode register	(031B16)...	00?X0000
(29) Timer B1 interrupt control register	(007616)...	XXXX?000	(66) Timer B4 mode register	(031C16)...	00?X0000
			(67) Timer B5 mode register	(031D16)...	00?X0000

x : Nothing is mapped to this bit  
? : Undefined

The content of other registers and RAM is undefined when the microcomputer is reset. The initial values must therefore be set.

Note 1: When the VCC level is applied to the CNVSS pin, it is 0316 at a reset.  
Note 2: When the BYTE pin is "L", the third bit is "1". When the BYTE pin is "H", the third bit is "0".

Figure 1.4.3. Device's internal status after a reset is cleared

Reset

(68) Interrupt cause select register	(031F <sub>16</sub> )...	00000000	(112) Function select register A0	(03B0 <sub>16</sub> )...	00000000
(69) UART3 special mode register 3	(0325 <sub>16</sub> )...	00 <sub>16</sub>	(113) Function select register A1	(03B1 <sub>16</sub> )...	00000000
(70) UART3 special mode register 2	(0326 <sub>16</sub> )...	00 <sub>16</sub>	(114) Function select register B0	(03B2 <sub>16</sub> )...	XXXXXXXX
(71) UART3 special mode register	(0327 <sub>16</sub> )...	00 <sub>16</sub>	(115) Function select register B1	(03B3 <sub>16</sub> )...	XXXXXXXX00
(72) UART3 transmit/receive mode register	(0328 <sub>16</sub> )...	00 <sub>16</sub>	(116) Function select register A2	(03B4 <sub>16</sub> )...	XXXXXXXX00
(73) UART3 transmit/receive control register 0	(032C <sub>16</sub> )...	08 <sub>16</sub>	(117) Function select register A3	(03B5 <sub>16</sub> )...	00 <sub>16</sub>
(74) UART3 transmit/receive control register 1	(032D <sub>16</sub> )...	02 <sub>16</sub>	(118) Function select register B2	(03B6 <sub>16</sub> )...	XXXXXXXX0
(75) UART2 special mode register 3	(0335 <sub>16</sub> )...	00XXXXXX	(119) Function select register B3	(03B7 <sub>16</sub> )...	00000000
(76) UART2 special mode register 2	(0336 <sub>16</sub> )...	00 <sub>16</sub>	(120) Port P6 direction register	(03C2 <sub>16</sub> )...	00 <sub>16</sub>
(77) UART2 special mode register	(0337 <sub>16</sub> )...	00 <sub>16</sub>	(121) Port P7 direction register	(03C3 <sub>16</sub> )...	00 <sub>16</sub>
(78) UART2 transmit/receive mode register	(0338 <sub>16</sub> )...	00 <sub>16</sub>	(122) Port P8 direction register	(03C6 <sub>16</sub> )...	00000000
(79) UART2 transmit/receive control register 0	(033C <sub>16</sub> )...	00X01000	(123) Port P9 direction register	(03C7 <sub>16</sub> )...	00 <sub>16</sub>
(80) UART2 transmit/receive control register 1	(033D <sub>16</sub> )...	02 <sub>16</sub>	(124) Port P10 direction register	(03CA <sub>16</sub> )...	00 <sub>16</sub>
(81) Count start flag	(0340 <sub>16</sub> )...	00 <sub>16</sub>	(125) Port P11 direction register (Note 2)	(03CB <sub>16</sub> )...	XXXXXXXX0000
(82) Clock prescaler reset flag	(0341 <sub>16</sub> )...	0XXXXXXX	(126) Port P12 direction register (Note 2)	(03CE <sub>16</sub> )...	00 <sub>16</sub>
(83) One-shot start flag	(0342 <sub>16</sub> )...	00 <sub>16</sub>	(127) Port P13 direction register (Note 2)	(03CF <sub>16</sub> )...	00 <sub>16</sub>
(84) Trigger select flag	(0343 <sub>16</sub> )...	00 <sub>16</sub>	(128) Port P14 direction register (Note 2)	(03D2 <sub>16</sub> )...	00000000
(85) Up-down flag	(0344 <sub>16</sub> )...	00 <sub>16</sub>	(129) Port P15 direction register (Note 2)	(03D3 <sub>16</sub> )...	00 <sub>16</sub>
(86) Timer A0 mode register	(0356 <sub>16</sub> )...	000000?00	(130) Pull-up control register 2	(03DA <sub>16</sub> )...	00 <sub>16</sub>
(87) Timer A1 mode register	(0357 <sub>16</sub> )...	000000?00	(131) Pull-up control register 3 (Note 2)	(03DB <sub>16</sub> )...	00 <sub>16</sub>
(88) Timer A2 mode register	(0358 <sub>16</sub> )...	000000?00	(132) Pull-up control register 4 (Note 2)	(03DC <sub>16</sub> )...	X0 <sub>16</sub>
(89) Timer A3 mode register	(0359 <sub>16</sub> )...	000000?00	(133) Port P0 direction register	(03E2 <sub>16</sub> )...	00 <sub>16</sub>
(90) Timer A4 mode register	(035A <sub>16</sub> )...	000000?00	(132) Port P1 direction register	(03E3 <sub>16</sub> )...	00 <sub>16</sub>
(91) Timer B0 mode register	(035B <sub>16</sub> )...	00?XXXX00	(135) Port P2 direction register	(03E6 <sub>16</sub> )...	00 <sub>16</sub>
(92) Timer B1 mode register	(035C <sub>16</sub> )...	00?XXXX00	(136) Port P3 direction register	(03E7 <sub>16</sub> )...	00 <sub>16</sub>
(93) Timer B2 mode register	(035D <sub>16</sub> )...	00?XXXX00	(137) Port P4 direction register	(03EA <sub>16</sub> )...	00 <sub>16</sub>
(94) UART0 transmit/receive mode register	(0360 <sub>16</sub> )...	00 <sub>16</sub>	(138) Port P5 direction register	(03EB <sub>16</sub> )...	00 <sub>16</sub>
(95) UART0 transmit/receive control register 0	(0364 <sub>16</sub> )...	08 <sub>16</sub>	(139) Pull-up control register 0	(03F0 <sub>16</sub> )...	00 <sub>16</sub>
(96) UART0 transmit/receive control register 1	(0365 <sub>16</sub> )...	02 <sub>16</sub>	(140) Pull-up control register 1	(03F1 <sub>16</sub> )...	X0 <sub>16</sub>
(97) UART1 transmit/receive mode register	(0368 <sub>16</sub> )...	00 <sub>16</sub>	(141) Port control register	(03FF <sub>16</sub> )...	XXXXXXXXXX0
(98) UART1 transmit/receive control register 0	(036C <sub>16</sub> )...	08 <sub>16</sub>	(142) Data registers (R0/R1/R2/R3)		0000 <sub>16</sub>
(99) UART1 transmit/receive control register 1	(036D <sub>16</sub> )...	02 <sub>16</sub>	(143) Address registers (A0/A1)		000000 <sub>16</sub>
(100) UART transmit/receive control register 2	(0370 <sub>16</sub> )...	00000000	(144) Static base register (SB)		000000 <sub>16</sub>
(101) Flash memory control register 1 (Note 1)	(0376 <sub>16</sub> )...	? ? ? ? ? ? ? ?	(145) Frame base register (FB)		000000 <sub>16</sub>
(102) Flash memory control register 0 (Note 1)	(0377 <sub>16</sub> )...	XXXX000001	(146) Interrupt table register (INTB)		000000 <sub>16</sub>
(103) DMA0 cause select register	(0378 <sub>16</sub> )...	0XXXX00000	(147) User stack pointer (USP)		000000 <sub>16</sub>
(104) DMA1 cause select register	(0379 <sub>16</sub> )...	0XXXX00000	(148) Interrupt stack pointer (ISP)		000000 <sub>16</sub>
(105) DMA2 cause select register	(037A <sub>16</sub> )...	0XXXX00000	(149) Flag register (FLG)		0000 <sub>16</sub>
(106) DMA3 cause select register	(037B <sub>16</sub> )...	0XXXX00000	(150) DMA mode register (DMD0/DMD1)		00 <sub>16</sub>
(107) A-D control register 2	(0394 <sub>16</sub> )...	0000XXXXXX	(151) DMA transfer count register (DCT0/DCT1)		??
(108) A-D control register 0	(0396 <sub>16</sub> )...	000000???	(152) DMA transfer count reload register (DRC0/DRC1)		??
(109) A-D control register 1	(0397 <sub>16</sub> )...	00 <sub>16</sub>	(153) DMA memory address register (DMA0/DMA1)		??
(110) D-A control register	(039C <sub>16</sub> )...	00 <sub>16</sub>	(154) DMA SFR address register (DSA0/DSA1)		??
(111) Function select register C	(03AF <sub>16</sub> )...	0XXXXXXX0	(155) DMA memory address reload register (DRA0/DRA1)		??

The content of other registers and RAM is undefined when the microcomputer is reset. The initial values must therefore be set.

Note 1: This register exists in the flash memory version.

Note 2: This register exists in 144-pin version.

x : Nothing is mapped to this bit  
? : Undefined

Figure 1.4.4. Device's internal status after a reset is cleared

0000 <sub>16</sub>		0060 <sub>16</sub>	
0001 <sub>16</sub>		0061 <sub>16</sub>	
0002 <sub>16</sub>		0062 <sub>16</sub>	
0003 <sub>16</sub>		0063 <sub>16</sub>	
0004 <sub>16</sub>	Processor mode register 0 (PM0)	0064 <sub>16</sub>	
0005 <sub>16</sub>	Processor mode register 1 (PM1)	0065 <sub>16</sub>	
0006 <sub>16</sub>	System clock control register 0 (CM0)	0066 <sub>16</sub>	
0007 <sub>16</sub>	System clock control register 1 (CM1)	0067 <sub>16</sub>	
0008 <sub>16</sub>	Wait control register (WCR)	0068 <sub>16</sub>	DMA0 interrupt control register (DM0IC)
0009 <sub>16</sub>	Address match interrupt enable register (AIER)	0069 <sub>16</sub>	Timer B5 interrupt control register (TB5IC)
000A <sub>16</sub>	Protect register (PRCR)	006A <sub>16</sub>	DMA2 interrupt control register (DM1IC)
000B <sub>16</sub>	External data bus width control register (DS)	006B <sub>16</sub>	UART2 receive/ACK interrupt control register (S2RIC)
000C <sub>16</sub>	Main clock division register (MCD)	006C <sub>16</sub>	Timer A0 interrupt control register (TA0IC)
000D <sub>16</sub>		006D <sub>16</sub>	UART3 receive/ACK interrupt control register (S3RIC)
000E <sub>16</sub>	Watchdog timer start register (WDTS)	006E <sub>16</sub>	Timer A2 interrupt control register (TA2IC)
000F <sub>16</sub>	Watchdog timer control register (WDC)	006F <sub>16</sub>	UART4 receive/ACK interrupt control register (S4RIC)
0010 <sub>16</sub>		0070 <sub>16</sub>	Timer A4 interrupt control register (TA4IC)
0011 <sub>16</sub>	Address match interrupt register 0 (RMAD0)	0071 <sub>16</sub>	Bus collision detection(UART3) interrupt control register (BCN3IC)
0012 <sub>16</sub>		0072 <sub>16</sub>	UART0 receive interrupt control register (S0RIC)
0013 <sub>16</sub>		0073 <sub>16</sub>	A-D conversion interrupt control register (ADIC)
0014 <sub>16</sub>		0074 <sub>16</sub>	UART1 receive interrupt control register (S1RIC)
0015 <sub>16</sub>	Address match interrupt register 1 (RMAD1)	0075 <sub>16</sub>	
0016 <sub>16</sub>		0076 <sub>16</sub>	Timer B1 interrupt control register (TB1IC)
0017 <sub>16</sub>		0077 <sub>16</sub>	
0018 <sub>16</sub>		0078 <sub>16</sub>	Timer B3 interrupt control register (TB3IC)
0019 <sub>16</sub>	Address match interrupt register 2 (RMAD2)	0079 <sub>16</sub>	
001A <sub>16</sub>		007A <sub>16</sub>	INT5 interrupt control register (INT5IC)
001B <sub>16</sub>		007B <sub>16</sub>	
001C <sub>16</sub>		007C <sub>16</sub>	INT3 interrupt control register (INT3IC)
001D <sub>16</sub>	Address match interrupt register 3 (RMAD3)	007D <sub>16</sub>	
001E <sub>16</sub>		007E <sub>16</sub>	INT1 interrupt control register (INT1IC)
001F <sub>16</sub>		007F <sub>16</sub>	
0020 <sub>16</sub>		0080 <sub>16</sub>	
0021 <sub>16</sub>	Emulator interrupt vector table register (EIAD) *	0081 <sub>16</sub>	
0022 <sub>16</sub>		0082 <sub>16</sub>	
0023 <sub>16</sub>	Emulator interrupt detect register (EITD) *	0083 <sub>16</sub>	
0024 <sub>16</sub>	Emulator protect register (EPRR) *	0084 <sub>16</sub>	
0025 <sub>16</sub>		0085 <sub>16</sub>	
0026 <sub>16</sub>		0086 <sub>16</sub>	
0027 <sub>16</sub>		0087 <sub>16</sub>	
0028 <sub>16</sub>		0088 <sub>16</sub>	DMA1 interrupt control register (DM1IC)
0029 <sub>16</sub>		0089 <sub>16</sub>	UART2 transmit/NACK interrupt control register (S2TIC)
002A <sub>16</sub>		008A <sub>16</sub>	DMA3 interrupt control register (DM3IC)
002B <sub>16</sub>		008B <sub>16</sub>	UART3 transmit/NACK interrupt control register (S3TIC)
002C <sub>16</sub>		008C <sub>16</sub>	Timer A1 interrupt control register (TA1IC)
002D <sub>16</sub>		008D <sub>16</sub>	UART4 transmit/NACK interrupt control register (S4TIC)
002E <sub>16</sub>		008E <sub>16</sub>	Timer A3 interrupt control register (TA3IC)
002F <sub>16</sub>		008F <sub>16</sub>	Bus collision detection(UART2) interrupt control register (BCN2IC)
0030 <sub>16</sub>	ROM areaset register (ROA) *	0090 <sub>16</sub>	UART0 transmit interrupt control register (S0TIC)
0031 <sub>16</sub>	Debug monitor area set register (DBA) *	0091 <sub>16</sub>	Bus collision detection(UART4) interrupt control register (BCN4IC)
0032 <sub>16</sub>	Expansion area set register 0 (EXA0) *	0092 <sub>16</sub>	UART1 transmit interrupt control register (S1TIC)
0033 <sub>16</sub>	Expansion area set register 1 (EXA1) *	0093 <sub>16</sub>	Key input interrupt control register (KUPIC)
0034 <sub>16</sub>	Expansion area set register 2 (EXA2) *	0094 <sub>16</sub>	Timer B0 interrupt control register (TB0IC)
0035 <sub>16</sub>	Expansion area set register 3 (EXA3) *	0095 <sub>16</sub>	
0036 <sub>16</sub>		0096 <sub>16</sub>	Timer B2 interrupt control register (TB2IC)
0037 <sub>16</sub>		0097 <sub>16</sub>	
0038 <sub>16</sub>		0098 <sub>16</sub>	Timer B4 interrupt control register (TB4IC)
0039 <sub>16</sub>		0099 <sub>16</sub>	
003A <sub>16</sub>		009A <sub>16</sub>	INT4 interrupt control register (INT4IC)
003B <sub>16</sub>		009B <sub>16</sub>	
003C <sub>16</sub>		009C <sub>16</sub>	INT2 interrupt control register (INT2IC)
003D <sub>16</sub>		009D <sub>16</sub>	
003E <sub>16</sub>		009E <sub>16</sub>	INT0 interrupt control register (INT0IC)
003F <sub>16</sub>		009F <sub>16</sub>	Exit priority register (RLVL)
0040 <sub>16</sub>	DRAM control register (DRAMCONT)	00A0 <sub>16</sub>	
0041 <sub>16</sub>	DRAM refresh interval set register (REFCNT)	00A1 <sub>16</sub>	
0042 <sub>16</sub>		00A2 <sub>16</sub>	
0043 <sub>16</sub>		00A3 <sub>16</sub>	
0044 <sub>16</sub>		00A4 <sub>16</sub>	

\* As this register is used exclusively for debugger purposes, user cannot use this. Do not access to the register.  
(The blank area is reserved and cannot be used by user.)

Figure 1.5.1. Location of peripheral unit control registers (1)

02C0 <sub>16</sub>	X0 register (X0R) Y0 register (Y0R)	0300 <sub>16</sub>	Timer B3, 4, 5 count start flag (TBSR)
02C1 <sub>16</sub>		0301 <sub>16</sub>	
02C2 <sub>16</sub>	X1 register (X1R) Y1 register (Y1R)	0302 <sub>16</sub>	
02C3 <sub>16</sub>		0303 <sub>16</sub>	Timer A1-1 register (TA11)
02C4 <sub>16</sub>	X2 register (X2R) Y2 register (Y2R)	0304 <sub>16</sub>	
02C5 <sub>16</sub>		0305 <sub>16</sub>	Timer A2-1 register (TA21)
02C6 <sub>16</sub>	X3 register (X3R) Y3 register (Y3R)	0306 <sub>16</sub>	
02C7 <sub>16</sub>		0307 <sub>16</sub>	Timer A4-1 register (TA41)
02C8 <sub>16</sub>	X4 register (X4R) Y4 register (Y4R)	0308 <sub>16</sub>	Three-phase PWM control register 0(INVC0)
02C9 <sub>16</sub>		0309 <sub>16</sub>	Three-phase PWM control register 1(INVC1)
02CA <sub>16</sub>	X5 register (X5R) Y5 register (Y5R)	030A <sub>16</sub>	Three-phase output buffer register 0(IDB0)
02CB <sub>16</sub>		030B <sub>16</sub>	Three-phase output buffer register 1(IDB1)
02CC <sub>16</sub>	X6 register (X6R) Y6 register (Y6R)	030C <sub>16</sub>	Dead time timer(DTT)
02CD <sub>16</sub>		030D <sub>16</sub>	Timer B2 interrupt occurrence frequency set counter(ICTB2)
02CE <sub>16</sub>	X7 register (X7R) Y7 register (Y7R)	030E <sub>16</sub>	
02CF <sub>16</sub>		030F <sub>16</sub>	
02D0 <sub>16</sub>	X8 register (X8R) Y8 register (Y8R)	0310 <sub>16</sub>	
02D1 <sub>16</sub>		0311 <sub>16</sub>	Timer B3 register (TB3)
02D2 <sub>16</sub>	X9 register (X9R) Y9 register (Y9R)	0312 <sub>16</sub>	
02D3 <sub>16</sub>		0313 <sub>16</sub>	Timer B4 register (TB4)
02D4 <sub>16</sub>	X10 register (X10R) Y10 register (Y10R)	0314 <sub>16</sub>	
02D5 <sub>16</sub>		0315 <sub>16</sub>	Timer B5 register (TB5)
02D6 <sub>16</sub>	X11 register (X11R) Y11 register (Y11R)	0316 <sub>16</sub>	
02D7 <sub>16</sub>		0317 <sub>16</sub>	
02D8 <sub>16</sub>	X12 register (X12R) Y12 register (Y12R)	0318 <sub>16</sub>	
02D9 <sub>16</sub>		0319 <sub>16</sub>	
02DA <sub>16</sub>	X13 register (X13R) Y13 register (Y13R)	031A <sub>16</sub>	
02DB <sub>16</sub>		031B <sub>16</sub>	Timer B3 mode register (TB3MR)
02DC <sub>16</sub>	X14 register (X14R) Y14 register (Y14R)	031C <sub>16</sub>	Timer B4 mode register (TB4MR)
02DD <sub>16</sub>		031D <sub>16</sub>	Timer B5 mode register (TB5MR)
02DE <sub>16</sub>	X15 register (X15R) Y15 register (Y15R)	031E <sub>16</sub>	
02DF <sub>16</sub>		031F <sub>16</sub>	Interrupt cause select register (IFSR)
02E0 <sub>16</sub>	XY control register (XYC)	0320 <sub>16</sub>	
02E1 <sub>16</sub>		0321 <sub>16</sub>	
02E2 <sub>16</sub>		0322 <sub>16</sub>	
02E3 <sub>16</sub>		0323 <sub>16</sub>	
02E4 <sub>16</sub>		0324 <sub>16</sub>	
02E5 <sub>16</sub>		0325 <sub>16</sub>	UART3 special mode register 3 (U3SMR3)
02E6 <sub>16</sub>		0326 <sub>16</sub>	UART3 special mode register 2 (U3SMR2)
02E7 <sub>16</sub>		0327 <sub>16</sub>	UART3 special mode register (U3SMR)
02E8 <sub>16</sub>		0328 <sub>16</sub>	UART3 transmit/receive mode register (U3MR)
02E9 <sub>16</sub>		0329 <sub>16</sub>	UART3 bit rate generator (U3BRG)
02EA <sub>16</sub>		032A <sub>16</sub>	
02EB <sub>16</sub>		032B <sub>16</sub>	UART3 transmit buffer register (U3TB)
02EC <sub>16</sub>		032C <sub>16</sub>	UART3 transmit/receive control register 0 (U3C0)
02ED <sub>16</sub>		032D <sub>16</sub>	UART3 transmit/receive control register 1 (U3C1)
02EE <sub>16</sub>		032E <sub>16</sub>	UART3 receive buffer register (U3RB)
02EF <sub>16</sub>		032F <sub>16</sub>	
02F0 <sub>16</sub>		0330 <sub>16</sub>	
02F1 <sub>16</sub>		0331 <sub>16</sub>	
02F2 <sub>16</sub>		0332 <sub>16</sub>	
02F3 <sub>16</sub>		0333 <sub>16</sub>	
02F4 <sub>16</sub>		0334 <sub>16</sub>	
02F5 <sub>16</sub>	UART4 special mode register 3 (U4SMR3)	0335 <sub>16</sub>	UART2 special mode register 3 (U2SMR3)
02F6 <sub>16</sub>	UART4 special mode register 2 (U4SMR2)	0336 <sub>16</sub>	UART2 special mode register 2 (U2SMR2)
02F7 <sub>16</sub>	UART4 special mode register (U4SMR)	0337 <sub>16</sub>	UART2 special mode register (U2SMR)
02F8 <sub>16</sub>	UART4 transmit/receive mode register (U4MR)	0338 <sub>16</sub>	UART2 transmit/receive mode register (U2MR)
02F9 <sub>16</sub>	UART4 bit rate generator (U4BRG)	0339 <sub>16</sub>	UART2 bit rate generator (U2BRG)
02FA <sub>16</sub>	UART4 transmit buffer register (U4TB)	033A <sub>16</sub>	
02FB <sub>16</sub>		033B <sub>16</sub>	UART2 transmit buffer register (U2TB)
02FC <sub>16</sub>	UART4 transmit/receive control register 0 (U4C0)	033C <sub>16</sub>	UART2 transmit/receive control register 0 (U2C0)
02FD <sub>16</sub>	UART4 transmit/receive control register 1 (U4C1)	033D <sub>16</sub>	UART2 transmit/receive control register 1 (U2C1)
02FE <sub>16</sub>	UART4 receive buffer register (U4RB)	033E <sub>16</sub>	
02FF <sub>16</sub>		033F <sub>16</sub>	UART2 receive buffer register (U2RB)

(The blank area is reserved and cannot be used by user.)

Figure 1.5.2. Location of peripheral unit control registers (2)

0340 <sub>16</sub>	Count start flag (TABSR)	0380 <sub>16</sub>	A-D register 0 (AD0)
0341 <sub>16</sub>	Clock prescaler reset flag (CPSRF)	0381 <sub>16</sub>	
0342 <sub>16</sub>	One-shot start flag (ONSF)	0382 <sub>16</sub>	A-D register 1 (AD1)
0343 <sub>16</sub>	Trigger select register (TRGSR)	0383 <sub>16</sub>	
0344 <sub>16</sub>	Up-down flag (UDF)	0384 <sub>16</sub>	A-D register 2 (AD2)
0345 <sub>16</sub>		0385 <sub>16</sub>	
0346 <sub>16</sub>		0386 <sub>16</sub>	A-D register 3 (AD3)
0347 <sub>16</sub>	Timer A0 register (TA0)	0387 <sub>16</sub>	
0348 <sub>16</sub>		0388 <sub>16</sub>	A-D register 4 (AD4)
0349 <sub>16</sub>	Timer A1 register (TA1)	0389 <sub>16</sub>	
034A <sub>16</sub>		038A <sub>16</sub>	A-D register 5 (AD5)
034B <sub>16</sub>	Timer A2 register (TA2)	038B <sub>16</sub>	
034C <sub>16</sub>		038C <sub>16</sub>	A-D register 6 (AD6)
034D <sub>16</sub>	Timer A3 register (TA3)	038D <sub>16</sub>	
034E <sub>16</sub>		038E <sub>16</sub>	A-D register 7 (AD7)
034F <sub>16</sub>	Timer A4 register (TA4)	038F <sub>16</sub>	
0350 <sub>16</sub>		0390 <sub>16</sub>	
0351 <sub>16</sub>	Timer B0 register (TB0)	0391 <sub>16</sub>	
0352 <sub>16</sub>		0392 <sub>16</sub>	
0353 <sub>16</sub>	Timer B1 register (TB1)	0393 <sub>16</sub>	
0354 <sub>16</sub>		0394 <sub>16</sub>	A-D control register 2 (ADCON2)
0355 <sub>16</sub>	Timer B2 register (TB2)	0395 <sub>16</sub>	
0356 <sub>16</sub>	Timer A0 mode register (TA0MR)	0396 <sub>16</sub>	A-D control register 0 (ADCON0)
0357 <sub>16</sub>	Timer A1 mode register (TA1MR)	0397 <sub>16</sub>	A-D control register 1 (ADCON1)
0358 <sub>16</sub>	Timer A2 mode register (TA2MR)	0398 <sub>16</sub>	D-A register 0 (DA0)
0359 <sub>16</sub>	Timer A3 mode register (TA3MR)	0399 <sub>16</sub>	
035A <sub>16</sub>	Timer A4 mode register (TA4MR)	039A <sub>16</sub>	D-A register 1 (DA1)
035B <sub>16</sub>	Timer B0 mode register (TB0MR)	039B <sub>16</sub>	
035C <sub>16</sub>	Timer B1 mode register (TB1MR)	039C <sub>16</sub>	D-A control register (DACON)
035D <sub>16</sub>	Timer B2 mode register (TB2MR)	039D <sub>16</sub>	
035E <sub>16</sub>		039E <sub>16</sub>	
035F <sub>16</sub>		039F <sub>16</sub>	
0360 <sub>16</sub>	UART0 transmit/receive mode register (U0MR)	03A0 <sub>16</sub>	
0361 <sub>16</sub>	UART0 bit rate generator (U0BRG)	03A1 <sub>16</sub>	
0362 <sub>16</sub>		03A2 <sub>16</sub>	
0363 <sub>16</sub>	UART0 transmit buffer register (U0TB)	03A3 <sub>16</sub>	
0364 <sub>16</sub>	UART0 transmit/receive control register 0 (U0C0)	03A4 <sub>16</sub>	
0365 <sub>16</sub>	UART0 transmit/receive control register 1 (U0C1)	03A5 <sub>16</sub>	
0366 <sub>16</sub>		03A6 <sub>16</sub>	
0367 <sub>16</sub>	UART0 receive buffer register (U0RB)	03A7 <sub>16</sub>	
0368 <sub>16</sub>	UART1 transmit/receive mode register (U1MR)	03A8 <sub>16</sub>	
0369 <sub>16</sub>	UART1 bit rate generator (U1BRG)	03A9 <sub>16</sub>	
036A <sub>16</sub>		03AA <sub>16</sub>	
036B <sub>16</sub>	UART1 transmit buffer register (U1TB)	03AB <sub>16</sub>	
036C <sub>16</sub>	UART1 transmit/receive control register 0 (U1C0)	03AC <sub>16</sub>	
036D <sub>16</sub>	UART1 transmit/receive control register 1 (U1C1)	03AD <sub>16</sub>	
036E <sub>16</sub>		03AE <sub>16</sub>	
036F <sub>16</sub>	UART1 receive buffer register (U1RB)	03AF <sub>16</sub>	Function select register C(PSC)
0370 <sub>16</sub>	UART transmit/receive control register 2 (UCON2)	03B0 <sub>16</sub>	Function select register A0 (PS0)
0371 <sub>16</sub>		03B1 <sub>16</sub>	Function select register A1 (PS1)
0372 <sub>16</sub>		03B2 <sub>16</sub>	Function select register B0 (PSL0)
0373 <sub>16</sub>		03B3 <sub>16</sub>	Function select register B1 (PSL1)
0374 <sub>16</sub>		03B4 <sub>16</sub>	Function select register A2 (PS2)
0375 <sub>16</sub>		03B5 <sub>16</sub>	Function select register A3 (PS3)
0376 <sub>16</sub>	Flash memory control register 1 (FMR1) (Note)	03B6 <sub>16</sub>	Function select register B2 (PSL2)
0377 <sub>16</sub>	Flash memory control register 0 (FMR0) (Note)	03B7 <sub>16</sub>	Function select register B3 (PSL3)
0378 <sub>16</sub>	DMA0 request cause select register (DM0SL)	03B8 <sub>16</sub>	
0379 <sub>16</sub>	DMA1 request cause select register (DM1SL)	03B9 <sub>16</sub>	
037A <sub>16</sub>	DMA2 request cause select register (DM2SL)	03BA <sub>16</sub>	
037B <sub>16</sub>	DMA3 request cause select register (DM3SL)	03BB <sub>16</sub>	
037C <sub>16</sub>		03BC <sub>16</sub>	
037D <sub>16</sub>	CRC data register (CRCD)	03BD <sub>16</sub>	
037E <sub>16</sub>	CRC input register (CRCIN)	03BE <sub>16</sub>	
037F <sub>16</sub>		03BF <sub>16</sub>	

Note :This register exists in the flash memory version. (The blank area is reserved and cannot be used by user.)

Figure 1.5.3. Location of peripheral unit control registers (3)



<100-pin version>		<144-pin version>	
03C0 <sub>16</sub>	Port P6 (P6)	03C0 <sub>16</sub>	Port P6 (P6)
03C1 <sub>16</sub>	Port P7 (P7)	03C1 <sub>16</sub>	Port P7 (P7)
03C2 <sub>16</sub>	Port P6 direction register (PD6)	03C2 <sub>16</sub>	Port P6 direction register (PD6)
03C3 <sub>16</sub>	Port P7 direction register (PD7)	03C3 <sub>16</sub>	Port P7 direction register (PD7)
03C4 <sub>16</sub>	Port P8 (P8)	03C4 <sub>16</sub>	Port P8 (P8)
03C5 <sub>16</sub>	Port P9 (P9)	03C5 <sub>16</sub>	Port P9 (P9)
03C6 <sub>16</sub>	Port P8 direction register (PD8)	03C6 <sub>16</sub>	Port P8 direction register (PD8)
03C7 <sub>16</sub>	Port P9 direction register (PD9)	03C7 <sub>16</sub>	Port P9 direction register (PD9)
03C8 <sub>16</sub>	Port P10 (P10)	03C8 <sub>16</sub>	Port P10 (P10)
03C9 <sub>16</sub>		03C9 <sub>16</sub>	Port P11 (P11)
03CA <sub>16</sub>	Port P10 direction register (PD10)	03CA <sub>16</sub>	Port P10 direction register (PD10)
03CB <sub>16</sub>		03CB <sub>16</sub>	Port P11 direction register (PD11)
03CC <sub>16</sub>		03CC <sub>16</sub>	Port P12 (P12)
03CD <sub>16</sub>		03CD <sub>16</sub>	Port P13 (P13)
03CE <sub>16</sub>		03CE <sub>16</sub>	Port P12 direction register (PD12)
03CF <sub>16</sub>		03CF <sub>16</sub>	Port P13 direction register (PD13)
03D0 <sub>16</sub>		03D0 <sub>16</sub>	Port P14 (P14)
03D1 <sub>16</sub>		03D1 <sub>16</sub>	Port P15 (P15)
03D2 <sub>16</sub>		03D2 <sub>16</sub>	Port P14 direction register (PD14)
03D3 <sub>16</sub>		03D3 <sub>16</sub>	Port P15 direction register (PD15)
03D4 <sub>16</sub>		03D4 <sub>16</sub>	
03D5 <sub>16</sub>		03D5 <sub>16</sub>	
03D6 <sub>16</sub>		03D6 <sub>16</sub>	
03D7 <sub>16</sub>		03D7 <sub>16</sub>	
03D8 <sub>16</sub>		03D8 <sub>16</sub>	
03D9 <sub>16</sub>		03D9 <sub>16</sub>	
03DA <sub>16</sub>	Pull-up control register 2 (PUR2)	03DA <sub>16</sub>	Pull-up control register 2 (PUR2)
03DB <sub>16</sub>	Pull-up control register 3 (PUR3)	03DB <sub>16</sub>	Pull-up control register 3 (PUR3)
03DC <sub>16</sub>		03DC <sub>16</sub>	Pull-up control register 4 (PUR4)
03DD <sub>16</sub>		03DD <sub>16</sub>	
03DE <sub>16</sub>		03DE <sub>16</sub>	
03DF <sub>16</sub>		03DF <sub>16</sub>	
03E0 <sub>16</sub>	Port P0 (P0)	03E0 <sub>16</sub>	Port P0 (P0)
03E1 <sub>16</sub>	Port P1 (P1)	03E1 <sub>16</sub>	Port P1 (P1)
03E2 <sub>16</sub>	Port P0 direction register (PD0)	03E2 <sub>16</sub>	Port P0 direction register (PD0)
03E3 <sub>16</sub>	Port P1 direction register (PD1)	03E3 <sub>16</sub>	Port P1 direction register (PD1)
03E4 <sub>16</sub>	Port P2 (P2)	03E4 <sub>16</sub>	Port P2 (P2)
03E5 <sub>16</sub>	Port P3 (P3)	03E5 <sub>16</sub>	Port P3 (P3)
03E6 <sub>16</sub>	Port P2 direction register (PD2)	03E6 <sub>16</sub>	Port P2 direction register (PD2)
03E7 <sub>16</sub>	Port P3 direction register (PD3)	03E7 <sub>16</sub>	Port P3 direction register (PD3)
03E8 <sub>16</sub>	Port P4 (P4)	03E8 <sub>16</sub>	Port P4 (P4)
03E9 <sub>16</sub>	Port P5 (P5)	03E9 <sub>16</sub>	Port P5 (P5)
03EA <sub>16</sub>	Port P4 direction register (PD4)	03EA <sub>16</sub>	Port P4 direction register (PD4)
03EB <sub>16</sub>	Port P5 direction register (PD5)	03EB <sub>16</sub>	Port P5 direction register (PD5)
03EC <sub>16</sub>		03EC <sub>16</sub>	
03ED <sub>16</sub>		03ED <sub>16</sub>	
03EE <sub>16</sub>		03EE <sub>16</sub>	
03EF <sub>16</sub>		03EF <sub>16</sub>	
03F0 <sub>16</sub>	Pull-up control register 0 (PUR0)	03F0 <sub>16</sub>	Pull-up control register 0 (PUR0)
03F1 <sub>16</sub>	Pull-up control register 1 (PUR1)	03F1 <sub>16</sub>	Pull-up control register 1 (PUR1)
03F2 <sub>16</sub>		03F2 <sub>16</sub>	
03F3 <sub>16</sub>		03F3 <sub>16</sub>	
03FC <sub>16</sub>		03FC <sub>16</sub>	
03FD <sub>16</sub>		03FD <sub>16</sub>	
03FE <sub>16</sub>		03FE <sub>16</sub>	
03FF <sub>16</sub>	Port control register (PCR)	03FF <sub>16</sub>	Port control register (PCR)

(The blank area is reserved and cannot be used by user.)

Note 1:  Addresses 03C9<sub>16</sub>, 03CB<sub>16</sub> to 03D3<sub>16</sub> area is for future plan.  
Must set "FF<sub>16</sub>" to address 03CB<sub>16</sub>, 03CE<sub>16</sub>, 03CF<sub>16</sub>, 03D2<sub>16</sub>, 03D3<sub>16</sub> at initial setting.

Note 2:  Address 03DC<sub>16</sub> area is for future plan. Must set "00<sub>16</sub>" to address 03DC<sub>16</sub> at initial setting.

Figure 1.5.4. Location of peripheral unit control registers (4)

## Software Reset

Writing “1” to bit 3 of the processor mode register 0 (address 000416) applies a (software) reset to the microcomputer. A software reset has the same effect as a hardware reset. The contents of internal RAM are preserved.

## Processor Mode

### (1) Types of Processor Mode

One of three processor modes can be selected: single-chip mode, memory expansion mode, and microprocessor mode. The functions of some pins, the memory map, and the access space differ according to the selected processor mode.

- **Single-chip mode**

In single-chip mode, only internal memory space (SFR, internal RAM, and internal ROM) can be accessed. Ports P0 to P10 can be used as programmable I/O ports or as I/O ports for the internal peripheral functions.

- **Memory expansion mode**

In memory expansion mode, external memory can be accessed in addition to the internal memory space (SFR, internal RAM, and internal ROM).

In this mode, some of the pins function as the address bus, the data bus, and as control signals. The number of pins assigned to these functions depends on the bus and register settings. (See “Bus Settings” for details.)

- **Microprocessor mode**

In microprocessor mode, the SFR, internal RAM, and external memory space can be accessed. The internal ROM area cannot be accessed.

In this mode, some of the pins function as the address bus, the data bus, and as control signals. The number of pins assigned to these functions depends on the bus and register settings. (See “Bus Settings” for details.)

### (2) Setting Processor Modes

The processor mode is set using the CNVSS pin and the processor mode bits (bits 1 and 0 at address 000416). Do not set the processor mode bits to “102”.

Regardless of the level of the CNVSS pin, changing the processor mode bits selects the mode. Therefore, never change the processor mode bits when changing the contents of other bits. Also do not attempt to shift to or from the microprocessor mode within the program stored in the internal ROM area.

- **Applying VSS to CNVSS pin**

The microcomputer begins operation in single-chip mode after being reset. Memory expansion mode is selected by writing “012” to the processor mode bits.

- **Applying VCC to CNVSS pin**

The microcomputer starts to operate in microprocessor mode after being reset.

Figure 1.6.1 and 1.6.2 show the processor mode register 0 and 1.

Figure 1.6.3 shows the memory maps applicable for each processor modes.

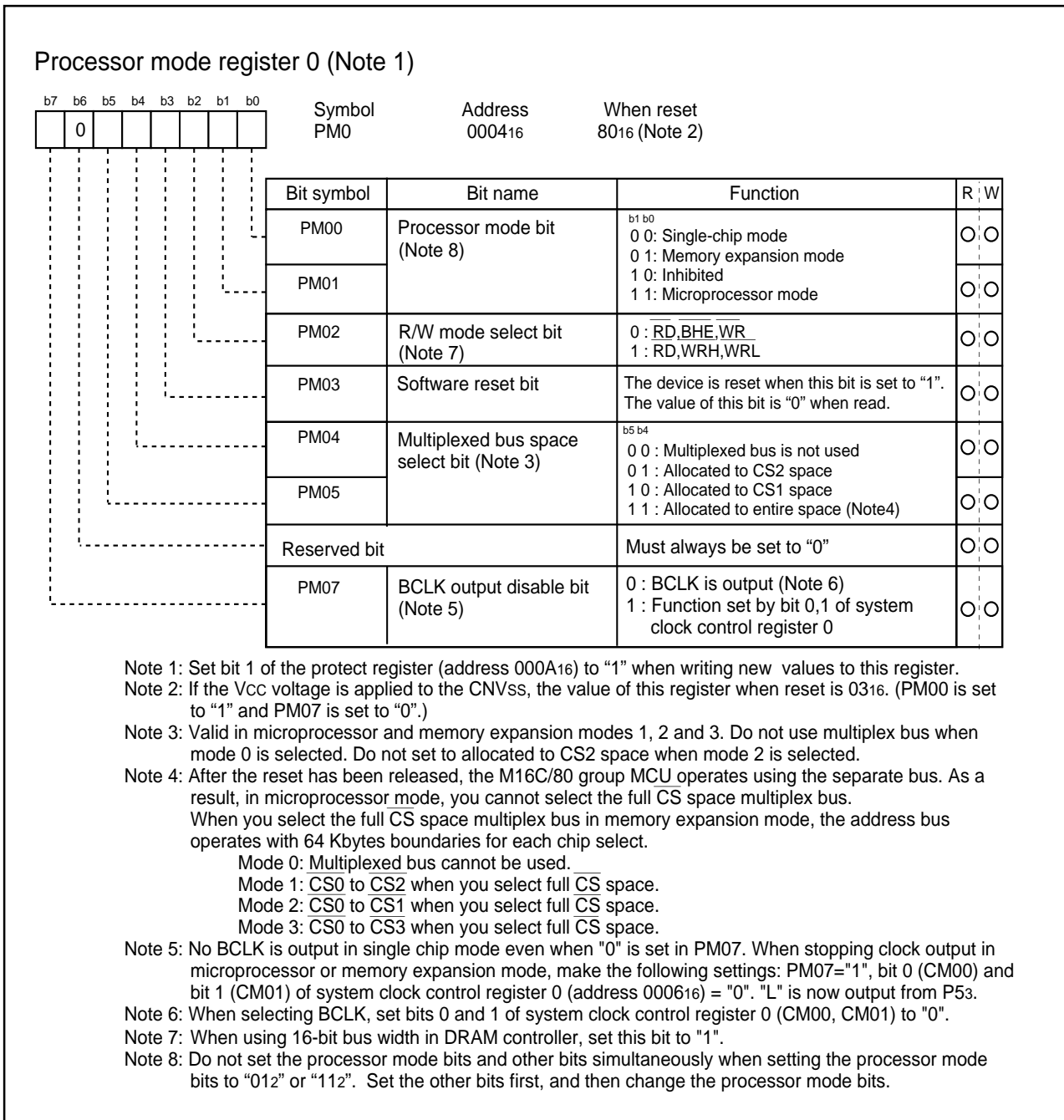
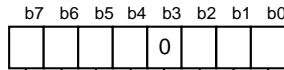


Figure 1.6.1. Processor mode register 0

Processor Mode

Processor mode register 1 (Note 1) :Mask ROM version  
ROMless version (144-pin version)

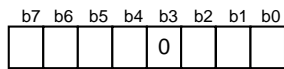


Symbol: PM1  
Address: 0005<sub>16</sub>  
When reset: 00<sub>16</sub>

Bit symbol	Bit name	Function	R	W
PM10	External memory area mode bit (Note 3)	b1 b0 0 0 : Mode 0 (P44 to P47 : A20 to $\overline{A23}$ ) 0 1 : Mode 1 (P44 : A20, P45 to P47 : $\overline{CS2}$ to $\overline{CS0}$ )		
PM11				
PM12	Internal memory wait bit	0 : No wait state 1 : Wait state inserted	—	—
Reserved bit		Must always be set to "0"	—	○
PM14	ALE pin select bit (Note 3)	b5 b4 0 0 : No ALE 0 1 : P53/BCLK (Note 4)		
PM15				
Nothing is assigned. When read, the content is indeterminate.			—	—

- Note 1: Set bit 1 of the protect register (address 000A<sub>16</sub>) to "1" when writing new values to this register.  
 Note 2: When mode 3 is selected, DRAMC is not used.  
 Note 3: Valid in memory expansion mode or in microprocessor mode.  
 Note 4: When selecting P53/BCLK, set bits 0 and 1 of system clock control register 0 (CM00, CM01) to "0".

Processor mode register 1 (Note 1) :Flash memory version



Symbol: PM1  
Address: 0005<sub>16</sub>  
When reset: 00<sub>16</sub>

Bit symbol	Bit name	Function	R	W
PM10	External memory area mode bit (Note 3)	b1 b0 0 0 : Mode 0 (P44 to P47 : A20 to $\overline{A23}$ ) 0 1 : Mode 1 (P44 : A20, P45 to P47 : $\overline{CS2}$ to $\overline{CS0}$ )		
PM11				
PM12	Internal memory wait bit	0 : No wait state 1 : Wait state inserted	—	—
Reserved bit		Must always be set to "0"	—	○
PM14	ALE pin select bit (Note 3)	b5 b4 0 0 : No ALE 0 1 : P53/BCLK (Note 4)		
PM15				
Reserved bit		Must always be set to "1" (Note 5)	○	○

- Note 1: Set bit 1 of the protect register (address 000A<sub>16</sub>) to "1" when writing new values to this register.  
 Note 2: When mode 3 is selected, DRAMC is not used.  
 Note 3: Valid in memory expansion mode or in microprocessor mode.  
 Note 4: When selecting P53/BCLK, set bits 0 and 1 of system clock control register 0 (CM00, CM01) to "0".  
 Note 5: Rewrite this bit when the main clock is in division by 8 mode.

Figure 1.6.2. Processor mode register 1

Processor Mode

	Single chip mode			Memory expanded mode			Microprocessor mode		
	Mode 0	Mode 1	Mode 2	Mode 3	Mode 0	Mode 1	Mode 2	Mode 3	
00000016	SFR area	SFR area	SFR area	SFR area	SFR area	SFR area	SFR area	SFR area	
00040016	Internal RAM area	Internal RAM area	Internal RAM area	Internal RAM area	Internal RAM area	Internal RAM area	Internal RAM area	Internal RAM area	
00080016	Internal reserved area	Internal reserved area	Internal reserved area	Internal reserved area	Internal reserved area	Internal reserved area	Internal reserved area	Internal reserved area	
20000016	External area 0	$\overline{CS1}$ 2Mbytes (Note 1) External area 0	$\overline{CS1}$ 4Mbytes (Note 2) External area 0	No use $\overline{CS1}$ , 1Mbytes External area 0 $\overline{CS2}$ , 1Mbytes External area 1	External area 0	$\overline{CS1}$ 2Mbytes (Note 1) External area 0 $\overline{CS2}$ 2Mbytes External area 1	$\overline{CS1}$ 4Mbytes (Note 2) External area 0	No use $\overline{CS1}$ , 1Mbytes External area 0 $\overline{CS2}$ , 1Mbytes External area 1	
40000016	External area 1	$\overline{CS2}$ 2Mbytes External area 1	Connect with DRAM 0, 0.5 to 8MB (When open area is under 8MB, cannot use the rest of this area.) (External area 2)	Connect with DRAM 0, 0.5 to 8MB (When not connect with DRAM, use as external area.) (External area 2)	Connect with DRAM 0, 0.5 to 8MB (When open area is under 8MB, cannot use the rest of this area.) (External area 2)	Connect with DRAM 0, 0.5 to 8MB (When open area is under 8MB, cannot use the rest of this area.) (External area 2)	Connect with DRAM 0, 0.5 to 8MB (When open area is under 8MB, cannot use the rest of this area.) (External area 2)	No use (Cannot use as DRAM area or external area.)	
C0000016	External area 3	$\overline{CS0}$ 2Mbytes External area 3	Connect with DRAM 0, 0.5 to 8MB (When open area is under 8MB, cannot use the rest of this area.) (External area 2)	Connect with DRAM 0, 0.5 to 8MB (When open area is under 8MB, cannot use the rest of this area.) (External area 2)	Connect with DRAM 0, 0.5 to 8MB (When open area is under 8MB, cannot use the rest of this area.) (External area 2)	Connect with DRAM 0, 0.5 to 8MB (When open area is under 8MB, cannot use the rest of this area.) (External area 2)	Connect with DRAM 0, 0.5 to 8MB (When open area is under 8MB, cannot use the rest of this area.) (External area 2)	$\overline{CS3}$ , 1Mbytes External area 2	
E0000016	Internal reserved area	No use	External area 3	No use	External area 3	No use	$\overline{CS0}$ 4Mbytes External area 3	No use	
F0000016	Internal ROM area	Internal reserved area	Internal reserved area	$\overline{CS0}$ , 1Mbytes External area 3	Internal reserved area	Internal reserved area	Internal reserved area	Internal reserved area	
FFFFFF16	Internal ROM area	Internal ROM area	Internal ROM area	Internal ROM area	Internal ROM area	Internal ROM area	Internal ROM area	$\overline{CS0}$ , 1Mbytes External area 3	

Note 1: 20000016~00800016=2016 Kbytes. 32 K less than 2 MB.  
 Note 2: 40000016~00800016=4064 Kbytes. 32 K less than 4 MB.

Each  $\overline{CS0}$  to  $\overline{CS3}$  can set 0 to 3 WAIT.

Figure 1.6.3. Memory maps in each processor mode

## Bus Settings

### Bus Settings

The BYTE pin, bit 0 to 3 of the external data bus width control register (address 000B<sub>16</sub>), bits 4 and 5 of the processor mode register 0 (address 0004<sub>16</sub>) and bit 0 and 1 of the processor mode register 1 (address 0005<sub>16</sub>) are used to change the bus settings.

Table 1.7.1 shows the factors used to change the bus settings, figure 1.7.1 shows external data bus width control register and table 1.7.2 shows external area 0 to 3 and external area mode.

**Table 1.7.1. Factors for switching bus settings**

Bus setting	Switching factor
Switching external address bus width	External data bus width control register
Switching external data bus width	BYTE pin (external area 3 only)
Switching between separate and multiplex bus	Bits 4 and 5 of processor mode register 0

#### (1) Selecting external address bus width

You can select the width of the address bus output externally from the 16 Mbytes address space, the number of chip select signals, and the address area of the chip select signals. (Note, however, that when you select "Full  $\overline{CS}$  space multiplex bus", addresses A<sub>0</sub> to A<sub>15</sub> are output.) The combination of bits 0 and 1 of the processor mode register 1 allow you to set the external area mode.

When using DRAM controller, the DRAM area is output by multiplexing of the time splitting of the row and column addresses.

#### (2) Selecting external data bus width

You can select 8-bit or 16-bit for the width of the external data bus for external areas 0, 1, 2, and 3. When the data bus width bit of the external data bus width control register is "0", the data bus width is 8 bits; when "1", it is 16 bits. The width can be set for each of the external areas. The default bus width for external area 3 is 16 bits when the BYTE pin is "L" after a reset, or 8 bits when the BYTE pin is "H" after a reset. The bus width selection is valid only for the external bus (the internal bus width is always 16 bits). During operation, fix the level of the BYTE pin to "H" or "L".

#### (3) Selecting separate/multiplex bus

The bus format can be set to multiplex or separate bus using bits 4 and 5 of the processor mode register 0.

- **Separate bus**

In this bus configuration, input and output is performed on separate data and address buses. The data bus width can be set to 8 bits or 16 bits using the external data bus width control register. For all programmable external areas, P0 is the data bus when the external data bus is set to 8 bits, and P1 is a programmable IO port. When the external data bus width is set to 16 bits for any of the external areas, P0 and P1 (although P1 is undefined for any 8-bit bus areas) are the data bus.

When accessing memory using the separate bus configuration, you can select a software wait using the wait control register.

- **Multiplex bus**

In this bus configuration, data and addresses are input and output on a time-sharing basis. For areas for which 8-bit has been selected using the external data bus width control register, the 8 bits D<sub>0</sub> to D<sub>7</sub> are multiplexed with the 8 bits A<sub>0</sub> to A<sub>7</sub>. For areas for which 16-bit has been selected using the external data bus width control register, the 16 bits D<sub>0</sub> to D<sub>15</sub> are multiplexed with the 16 bits A<sub>0</sub> to A<sub>15</sub>. When accessing memory using the multiplex bus configuration, two waits are inserted regardless of whether you select "No wait" or "1 wait" in the appropriate bit of the wait control register.

## Bus Settings

The default after a reset is the separate bus configuration, and the full  $\overline{CS}$  space multiplex bus configuration cannot be selected in microprocessor mode. If you select "Full  $\overline{CS}$  space multiplex bus", the 16 bits from A0 to A15 are output for the address

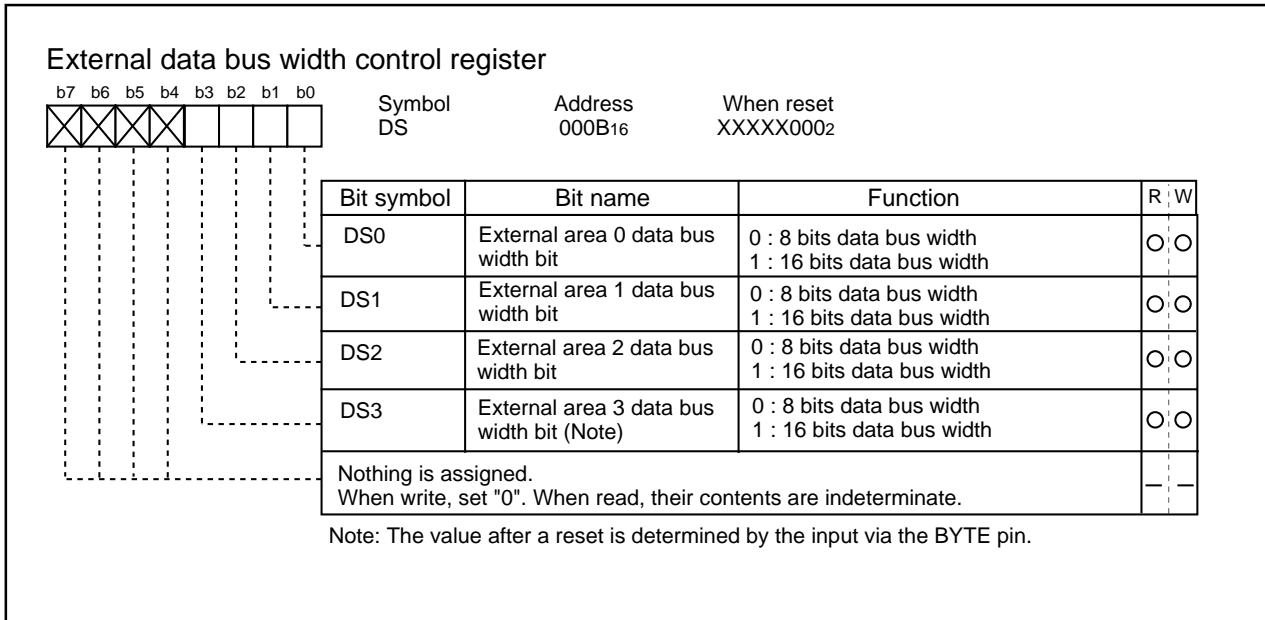


Figure 1.7.1. External data bus width control register

Table 1.7.2. External area 0 to 3 and external area mode

		External area mode (Note 2)	Mode 0	Mode 1	Mode 2	Mode 3
External area 0	Memory expansion mode, Microprocessor mode		008000 <sub>16</sub> to 1FFFFFF <sub>16</sub>	<CS1 area> 008000 <sub>16</sub> to 1FFFFFF <sub>16</sub>	<CS1 area> 008000 <sub>16</sub> to 1FFFFFF <sub>16</sub>	<CS1 area> 100000 <sub>16</sub> to 1FFFFFF <sub>16</sub>
External area 1	Memory expansion mode, Microprocessor mode		200000 <sub>16</sub> to 3FFFFFF <sub>16</sub>	<CS2 area> 200000 <sub>16</sub> to 3FFFFFF <sub>16</sub>	No area is selected.	<CS2 area> 200000 <sub>16</sub> to 2FFFFFF <sub>16</sub>
External area 2	Memory expansion mode, Microprocessor mode		400000 <sub>16</sub> to BFFFFFF <sub>16</sub> (Note 1)	<DRAMC area> 400000 <sub>16</sub> to BFFFFFF <sub>16</sub>	<DRAMC area> 400000 <sub>16</sub> to BFFFFFF <sub>16</sub>	<CS3 area> C00000 <sub>16</sub> to CFFFFFF <sub>16</sub>
External area 3	Memory expansion mode		C00000 <sub>16</sub> to EFFFFFF <sub>16</sub>	<CS0 area> C00000 <sub>16</sub> to EFFFFFF <sub>16</sub>	<CS0 area> C00000 <sub>16</sub> to EFFFFFF <sub>16</sub>	<CS0 area> E00000 <sub>16</sub> to EFFFFFF <sub>16</sub>
	Microprocessor mode		C00000 <sub>16</sub> to FFFFFF <sub>16</sub>	<CS0 area> E00000 <sub>16</sub> to FFFFFF <sub>16</sub>	<CS0 area> C00000 <sub>16</sub> to FFFFFF <sub>16</sub>	<CS0 area> F00000 <sub>16</sub> to FFFFFF <sub>16</sub>

Note 1: DRAMC area when using DRAMC.

Note 2: Set the external area mode (modes 0, 1, 2, and 3) using bits 0 and 1 of the processor mode register 1 (address 0005<sub>16</sub>).

## Bus Settings

Table 1.7.3. Each processor mode and port function

Processor mode	Single-chip mode	Memory expansion mode/microprocessor modes				Memory expansion mode	
Multiplexed bus space select bit		"01", "10" CS1 or CS2 : multiplexed bus, and the other : separate bus		"00" Separate bus		"11" (Note 1) All space multiplexed bus	
Data bus width BYTE pin level		All external area is 8 bits	Some external area is 16 bits	All external area is 8 bits	Some external area is 16 bits	All external area is 8 bits	Some external area is 16 bits
P00 to P07	I/O port	Data bus	Data bus	Data bus	Data bus	I/O port	I/O port
P10 to P17	I/O port	I/O port	Data bus	I/O port	Data bus	I/O port	I/O port
P20 to P27	I/O port	Address bus /data bus (Note 2)	Address bus /data bus (Note 2)	Address bus	Address bus	Address bus /data bus	Address bus /data bus
P30 to P37	I/O port	Address bus	Address bus /data bus (Note 2)	Address bus	Address bus	Address bus	Address bus /data bus
P40 to P43	I/O port	Address bus	Address bus	Address bus	Address bus	I/O port	I/O port
P44 to P46	I/O port	$\overline{CS}$ (chip select) or address bus (A20 to A22) (For details, refer to "Bus control") (Note 5)					
P47	I/O port	$\overline{CS}$ (chip select) or address bus ( $\overline{A23}$ ) (For details, refer to "Bus control") (Note 5)					
P50 to P53	I/O port	Outputs $\overline{RD}$ , $\overline{WRL}$ , $\overline{WRH}$ and BCLK, or $\overline{RD}$ , $\overline{BHE}$ , $\overline{WR}$ and BCLK (For details, refer to "Bus control") (Note 3,4)					
P54	I/O port	$\overline{HLDA}$ (Note 3)	$\overline{HLDA}$ (Note 3)	$\overline{HLDA}$ (Note 3)	$\overline{HLDA}$ (Note 3)	$\overline{HLDA}$ (Note 3)	$\overline{HLDA}$ (Note 3)
P55	I/O port	$\overline{HOLD}$	$\overline{HOLD}$	$\overline{HOLD}$	$\overline{HOLD}$	$\overline{HOLD}$	$\overline{HOLD}$
P56	I/O port	RAS (Note 3)	RAS (Note 3)	RAS (Note 3)	RAS (Note 3)	RAS (Note 3)	RAS (Note 3)
P57	I/O port	$\overline{RDY}$	$\overline{RDY}$	$\overline{RDY}$	$\overline{RDY}$	$\overline{RDY}$	$\overline{RDY}$

Note 1: The default after a reset is the separate bus configuration, and "Full  $\overline{CS}$  space multiplex bus" cannot be selected in microprocessor mode. When you select "Full  $\overline{CS}$  space multiplex bus" in extended memory mode, the address bus operates with 64 Kbytes boundaries for each chip select.

Note 2: Address bus in separate bus configuration.

Note 3: The ALE output pin is selected using bits 4 and 5 of the processor mode register 1.

Note 4: When you have selected use of the DRAM controller and you access the DRAM area, these are  $\overline{CASL}$ ,  $\overline{CASH}$ ,  $\overline{DW}$ , and BCLK outputs.

Note 5: The  $\overline{CS}$  signal and address bus selection are set by the external area mode.



## Bus Control

### Bus Control

The following explains the signals required for accessing external devices and software waits. The signals required for accessing the external devices are valid when the processor mode is set to memory expansion mode and microprocessor mode.

#### (1) Address bus/data bus

There are 24 pins, A<sub>0</sub> to A<sub>22</sub> and  $\overline{A}_{23}$  for the address bus for accessing the 16 Mbytes address space.  $\overline{A}_{23}$  is an inverted output of the MSB of the address.

The data bus consists of pins for data IO. The external data bus control register (address 000B<sub>16</sub>) selects the 8-bit data bus, D<sub>0</sub> to D<sub>7</sub> for each external area, or the 16-bit data bus, D<sub>0</sub> to D<sub>15</sub>. After a reset, there is by default an 8-bit data bus for the external area 3 when the BYTE pin is "H", or a 16-bit data bus when the BYTE pin is "L".

When shifting from single-chip mode to extended memory mode, the value on the address bus is undefined until an external area is accessed.

When accessing a DRAM area with DRAM control in use, a multiplexed signal consisting of row address and column address is output to A<sub>8</sub> to A<sub>20</sub>.

#### (2) Chip select signals

The chip select signals share A<sub>0</sub> to A<sub>22</sub> and  $\overline{A}_{23}$ . You can use bits 0 and 1 of the processor mode register 1 (address 0005<sub>16</sub>) to set the external area mode, then select the chip select area and number of address outputs.

In microprocessor mode, external area mode 0 is selected after a reset. The external area can be split into a maximum of four using the chip select signals. Table 1.7.4 shows the external areas specified by the chip select signals.

**Table 1.7.4. External areas specified by the chip select signals**

Memory space expansion mode	Processor mode	Chip select signal				
		$\overline{CS}_0$	$\overline{CS}_1$	$\overline{CS}_2$	$\overline{CS}_3$	
Specified address range	Mode 0	$\overline{(A_{23})}$	$\overline{(A_{22})}$	$\overline{(A_{21})}$	$\overline{(A_{20})}$	
	Mode 1	Memory expansion mode	C00000 <sub>16</sub> to DFFFFFF <sub>16</sub> (2 Mbytes)	008000 <sub>16</sub> to 1FFFFFF <sub>16</sub> (2016 Kbytes)	200000 <sub>16</sub> to 3FFFFFF <sub>16</sub> (2 Mbytes)	$\overline{(A_{20})}$
		Microprocessor mode	E00000 <sub>16</sub> to FFFFFFF <sub>16</sub> (2 Mbytes)			
	Mode 2	Memory expansion mode	C00000 <sub>16</sub> to EFFFFFF <sub>16</sub> (3 Mbytes)	008000 <sub>16</sub> to 3FFFFFF <sub>16</sub> (4064 Kbytes)	$\overline{(A_{21})}$	$\overline{(A_{20})}$
		Microprocessor mode	C00000 <sub>16</sub> to FFFFFFF <sub>16</sub> (4 Mbytes)			
	Mode 3	Memory expansion mode	E00000 <sub>16</sub> to EFFFFFF <sub>16</sub> (1 Mbytes)	100000 <sub>16</sub> to 1FFFFFF <sub>16</sub> (1 Mbytes)	200000 <sub>16</sub> to 2FFFFFF <sub>16</sub> (1 Mbytes)	C00000 <sub>16</sub> to CFFFFFF <sub>16</sub> (1 Mbytes)
		Microprocessor mode	F00000 <sub>16</sub> to FFFFFFF <sub>16</sub> (1 Mbytes)			

Bus Control

The chip select signal turns “L” (active) in synchronize with the address bus. However, its turning “H” depends on the area accessed in the next cycle. Figure 1.7.2 shows the output examples of the address bus and chip select signals.

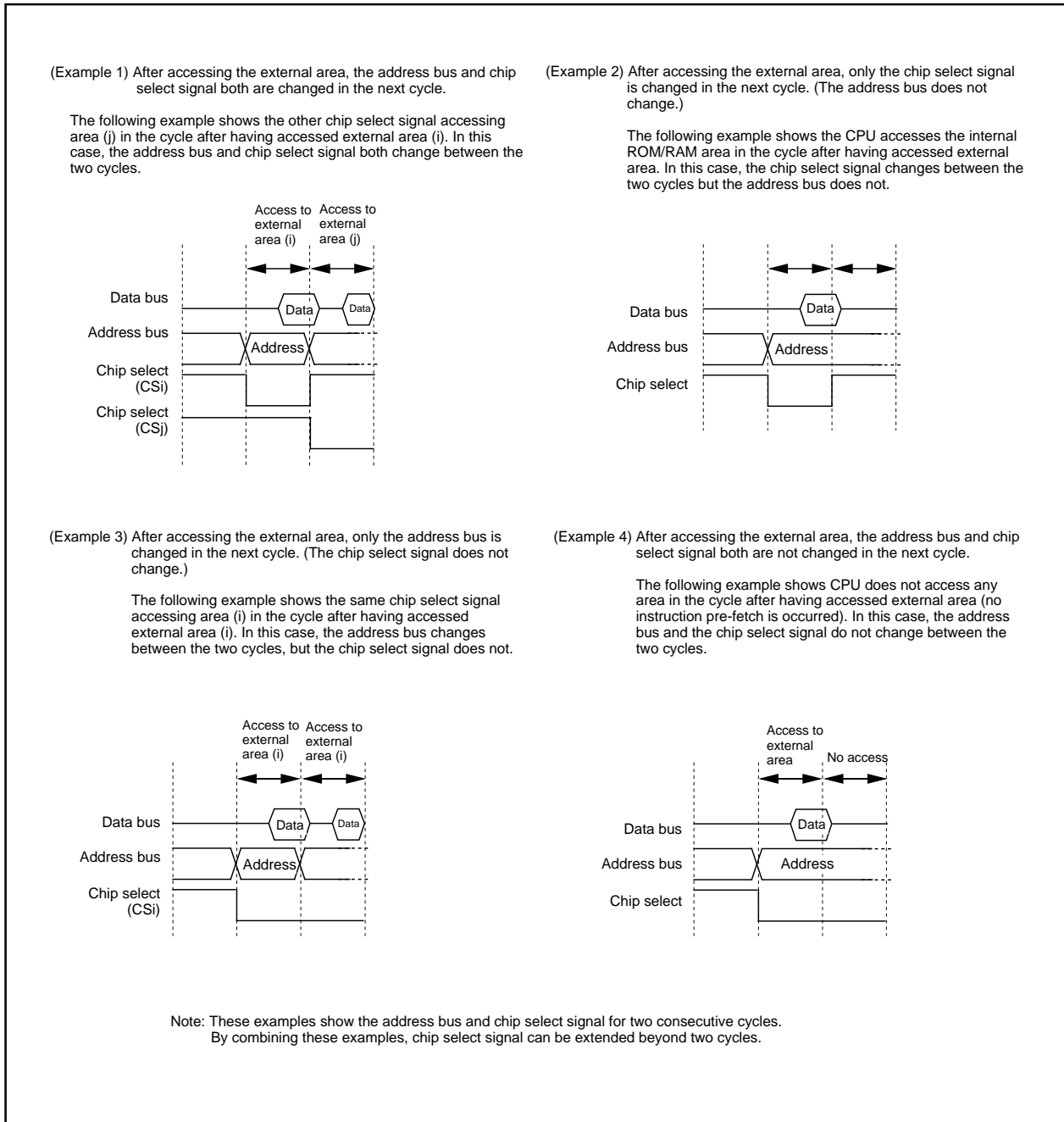


Figure 1.7.2. Example of address bus and chip select signal outputs (Separate bus)

## Bus Control

**(3) Read/write signals**

With a 16-bit data bus, bit 2 of the processor mode register 0 (address 0004<sub>16</sub>) select the combinations of  $\overline{RD}$ ,  $\overline{BHE}$ , and  $\overline{WR}$  signals or  $\overline{RD}$ ,  $\overline{WRL}$ , and  $\overline{WRH}$  signals. With a 8-bit full space data bus, use the combination of  $\overline{RD}$ ,  $\overline{WR}$ , and  $\overline{BHE}$  signals as read/write signals. (Set "0" to bit 2 of the processor mode register 0 (address 0004<sub>16</sub>.) When using both 8-bit and 16-bit data bus widths and you access an 8-bit data bus area, the  $\overline{RD}$ ,  $\overline{WR}$  and  $\overline{BHE}$  signals combination is selected regardless of the value of bit 2 of the processor mode register 0 (address 0004<sub>16</sub>).

Tables 1.7.5 and 1.7.6 show the operation of these signals.

After a reset has been cancelled, the combination of  $\overline{RD}$ ,  $\overline{WR}$ , and  $\overline{BHE}$  signals is automatically selected. When switching to the  $\overline{RD}$ ,  $\overline{WRL}$ , and  $\overline{WRH}$  combination, do not write to external memory until bit 2 of the processor mode register 0 (address 0004<sub>16</sub>) has been set (Note).

Note 1: Before attempting to change the contents of the processor mode register 0, set bit 1 of the protect register (address 000A<sub>16</sub>) to "1".

Note 2: When using 16-bit data bus width for DRAM controller, select  $\overline{RD}$ ,  $\overline{WRL}$ , and  $\overline{WRH}$  signals.

**Table 1.7.5. Operation of  $\overline{RD}$ ,  $\overline{WRL}$ , and  $\overline{WRH}$  signals**

Data bus width	$\overline{RD}$	$\overline{WRL}$	$\overline{WRH}$	Status of external data bus
16-bit	L	H	H	Read data
	H	L	H	Write 1 byte of data to even address
	H	H	L	Write 1 byte of data to odd address
	H	L	L	Write data to both even and odd addresses
8-bit	H	L (Note)	Not used	Write 1 byte of data
	L	H (Note)	Not used	Read 1 byte of data

Note: It becomes  $\overline{WR}$  signal.

**Table 1.7.6. Operation of  $\overline{RD}$ ,  $\overline{WR}$ , and  $\overline{BHE}$  signals**

Data bus width	$\overline{RD}$	$\overline{WR}$	$\overline{BHE}$	A0	Status of external data bus
16-bit	H	L	L	H	Write 1 byte of data to odd address
	L	H	L	H	Read 1 byte of data from odd address
	H	L	H	L	Write 1 byte of data to even address
	L	H	H	L	Read 1 byte of data from even address
	H	L	L	L	Write data to both even and odd addresses
	L	H	L	L	Read data from both even and odd addresses
8-bit	H	L	Not used	H / L	Write 1 byte of data
	L	H	Not used	H / L	Read 1 byte of data

#### (4) ALE signal

The ALE signal latches the address when accessing the multiplex bus space. Latch the address when the ALE signal falls. The ALE output pin is selected using bits 4 and 5 of the processor mode register 1 (address 0005<sub>16</sub>).

The ALE signal is occurred regardless of internal area and external area.

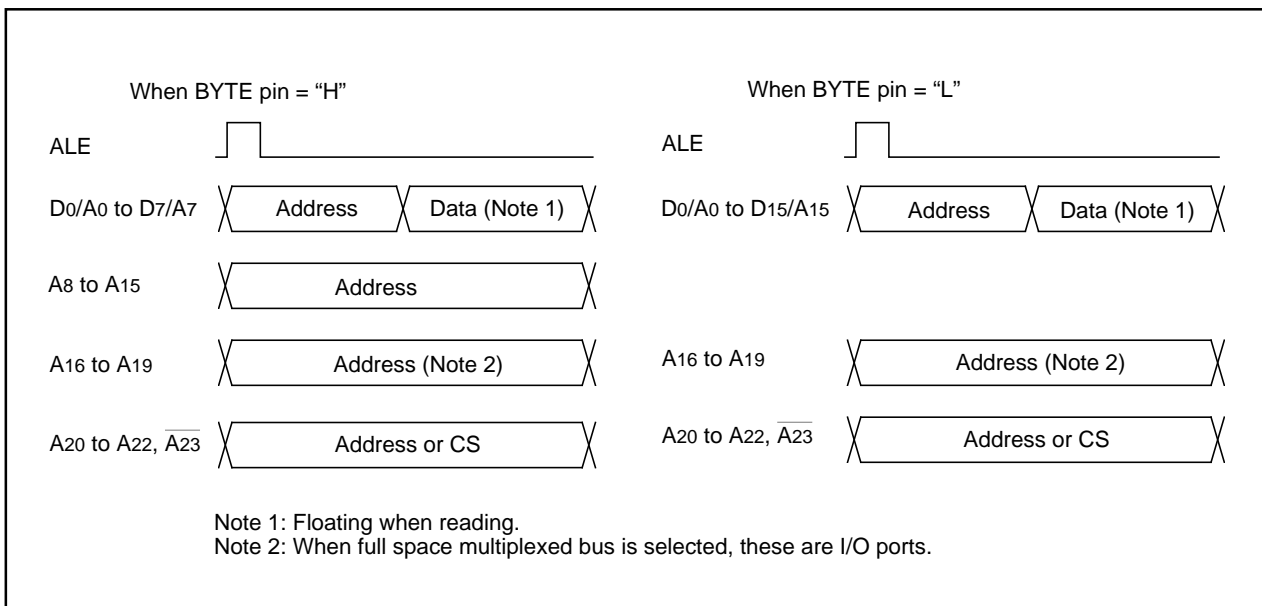


Figure 1.7.3. ALE signal and address/data bus

#### (5) Ready signal

The ready signal facilitates access of external devices that require a long time for access. As shown in Figure 1.7.2, inputting "L" to the  $\overline{RDY}$  pin at the falling edge of BCLK causes the microcomputer to enter the ready state. Inputting "H" to the  $\overline{RDY}$  pin at the falling edge of BCLK cancels the ready state. Table 1.7.7 shows the microcomputer status in the ready state. Figure 1.7.4 shows the example of the  $\overline{RD}$  signal being extended using the  $\overline{RDY}$  signal.

Ready is valid when accessing the external area during the bus cycle in which the software wait is applied. When no software wait is operating, the  $\overline{RDY}$  signal is ignored, but even in this case, unused pins must be pulled up.

Table 1.7.7. Microcomputer status in ready state (Note)

Item	Status
Oscillation	On
$\overline{RD}/\overline{WR}$ signal, address bus, data bus, $\overline{CS}$ ALE signal, $\overline{HLDA}$ , programmable I/O ports	Maintain status when ready signal received
Internal peripheral circuits	On

Note: The ready signal cannot be received immediately prior to a software wait.

Bus Control

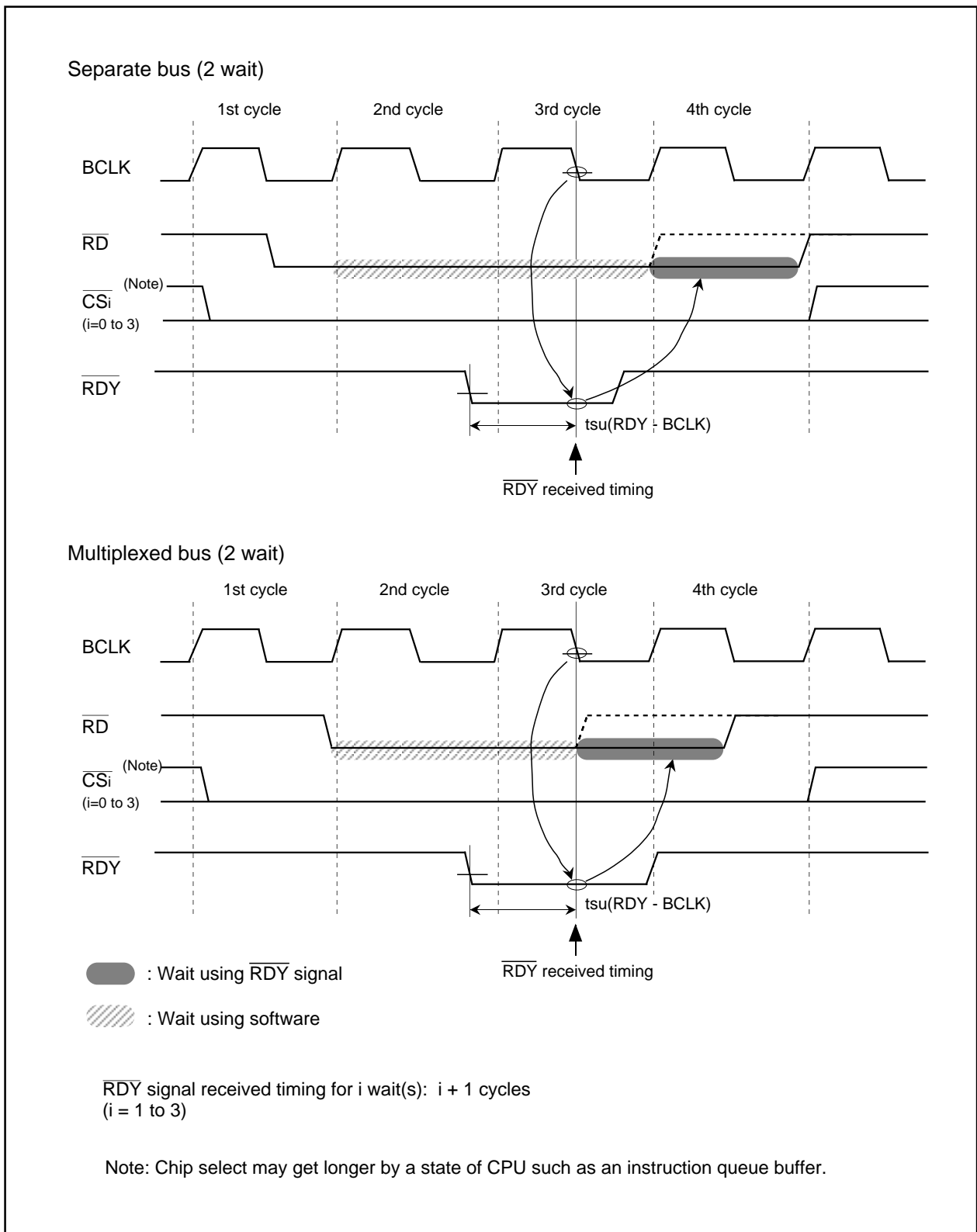


Figure 1.7.4. Example of RD signal extended by RDY signal

## (6) Hold signal

The hold signal is used to transfer the bus privileges from the CPU to the external circuits. Inputting "L" to the  $\overline{\text{HOLD}}$  pin places the microcomputer in the hold state at the end of the current bus access. This status is maintained and "L" is output from the  $\overline{\text{HLDA}}$  pin as long as "L" is input to the  $\overline{\text{HOLD}}$  pin. Table 1.7.8 shows the microcomputer status in the hold state. The bus is used in the following descending order of priority:  $\overline{\text{HOLD}}$ , DMAC, CPU.

$\overline{\text{HOLD}} > \text{DMAC} > \text{CPU}$

Figure 1.7.5. Example of  $\overline{\text{RD}}$  signal extended by  $\overline{\text{RDY}}$  signal

Table 1.7.8. Microcomputer status in hold state

Item		Status
Oscillation		ON
$\overline{\text{RD}}/\overline{\text{WR}}$ signal, address bus, data bus, $\overline{\text{CS}}$ , BHE		Floating
Programmable I/O ports	P0, P1, P2, P3, P4, P5 P6, P7, P8, P9, P10 P11, P12, P13, P14, P15 (Note)	Maintains status when hold signal is received
$\overline{\text{HLDA}}$		Output "L"
Internal peripheral circuits		ON (but watchdog timer stops)
ALE signal		Undefined

Note: Ports P11 to P15 exist in 144-pin version.

## (7) External bus status when accessing to internal area

Table 1.7.9 shows external bus status when accessing to internal area

Table 1.7.9. External bus status when accessing to internal area

Item		SFR accessing status	Internal ROM/RAM accessing status
Address bus		Remain address of external area accessed immediately before	
Data bus	When read	Floating	
	When write	Floating	
$\overline{\text{RD}}$ , $\overline{\text{WR}}$ , $\overline{\text{WRL}}$ , $\overline{\text{WRH}}$		Output "H"	
BHE		Remain external area status accessed immediately before	
$\overline{\text{CS}}$		Output "H"	
ALE		ALE output	

## (8) BCLK output

BCLK output can be selected by bit 7 of the processor mode register 0 (address 0004<sub>16</sub>:PM07) and bit 1 and bit 0 of the system clock select register 0 (address 0006<sub>16</sub>:CM01, CM00). Setting PM07 to "0" and CM01 and CM00 to "00" outputs the BCLK signal from P53. However, in single chip mode, BCLK signal is not output. When setting PM07 to "1", the function is as set by CM01 and CM00.

### (9) DRAM controller signals ( $\overline{\text{RAS}}$ , $\overline{\text{CASL}}$ , $\overline{\text{CASH}}$ , and $\overline{\text{DW}}$ )

Bits 1, 2, and 3 of the DRAM control register (address 000416) select the DRAM space and enable the DRAM controller. The DRAM controller signals are then output when the DRAM area is accessed. Table 1.7.10 shows the operation of the respective signals.

**Table 1.7.10. Operation of  $\overline{\text{RAS}}$ ,  $\overline{\text{CASL}}$ ,  $\overline{\text{CASH}}$ , and  $\overline{\text{DW}}$  signals**

Data bus width	$\overline{\text{RAS}}$	$\overline{\text{CASL}}$	$\overline{\text{CASH}}$	$\overline{\text{DW}}$	Status of external data bus
16-bit	L	L	L	H	Read data from both even and odd addresses
	L	L	L	H	Read 1 byte of data from even address
	L	H	H	H	Read 1 byte of data from odd address
	L	L	L	L	Write data to both even and odd addresses
	L	L	H	L	Write 1 byte of data to even address
	L	H	L	L	Write 1 byte of data to odd address
8-bit	L	L	Not used	H	Read 1 byte of data
	L	L	Not used	L	Write 1 byte of data

### (10) Software wait

A software wait can be inserted by setting the wait control register (address 000816). Figure 1.7.6 shows wait control register

You can use the external area *i* wait bits (where *i* = 0 to 3) of the wait control register to specify from “No wait” to “3 waits” for the external memory area. When you select “No wait”, the read cycle is executed in the BCLK1 cycle. The write cycle is executed in the BCLK2 cycle (which has 1 wait). When accessing external memory using the multiplex bus, access has two waits regardless of whether you specify “No wait” or “1 wait” in the appropriate external area *i* wait bits in the wait control register.

Software waits in the internal memory (internal RAM and internal ROM) can be set using the internal memory wait bits of the processor mode register 1 (address 000516). Setting the internal memory wait bit = “0” sets “No wait”. Setting the internal memory wait bit = “1” specifies a wait.

The SFR area is not affected by the setting of the internal memory wait bit and is always accessed in the BCLK2 cycle.

Table 1.7.11 shows the software waits and bus cycles. Figures 1.7.7 and 1.7.8 show example bus timings when using software waits.

## Bus Control

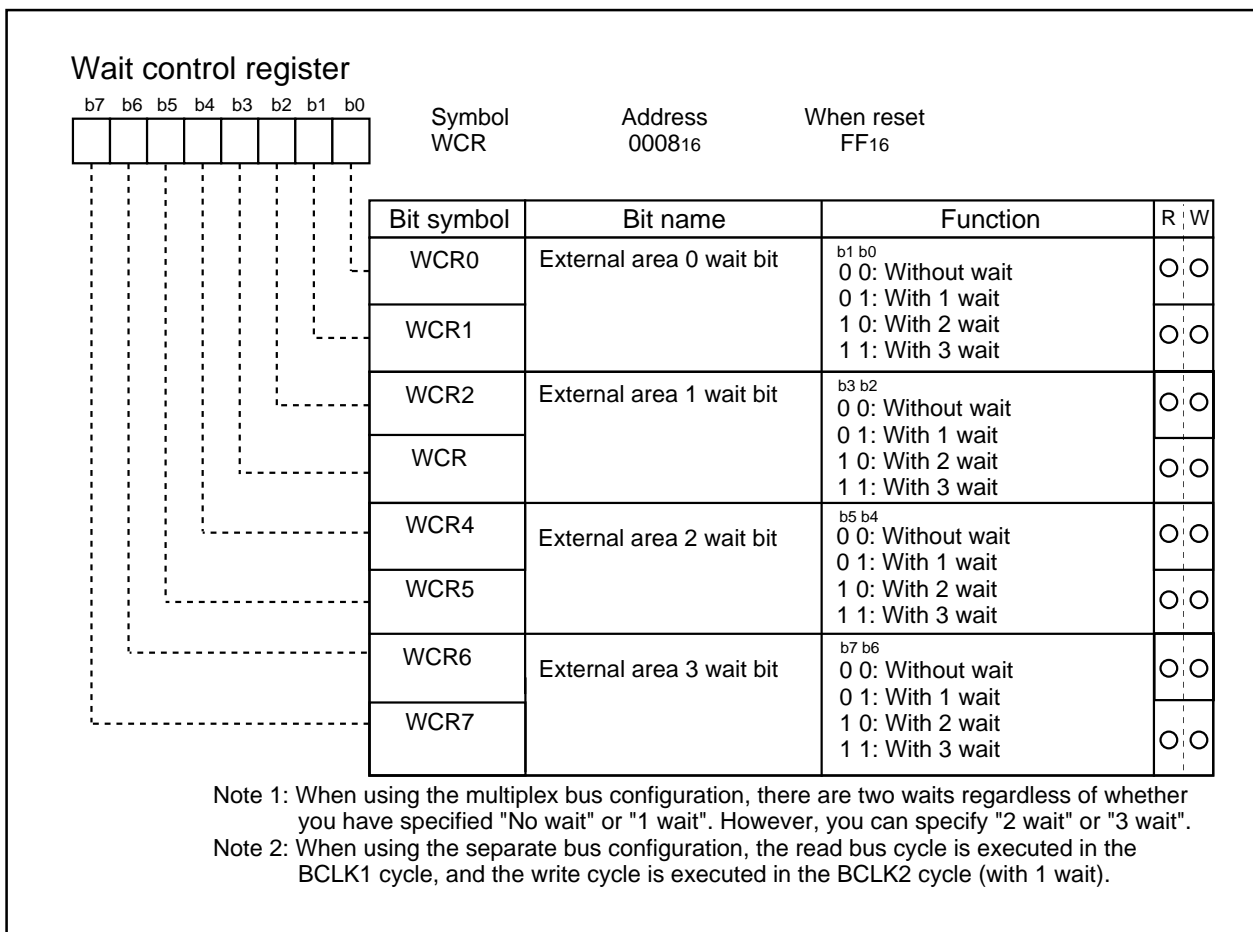


Figure 1.7.6. Wait control register

Table 1.7.11. Software waits and bus cycles

Area	Bus status	Internal memory wait bit	External memory area i wait bit	Bus cycle
SFR	_____	_____	_____	2 BCLK cycles
Internal ROM/RAM	_____	0	_____	1 BCLK cycle
	_____	1	_____	2 BCLK cycles
External memory area	Separate bus	_____	002	Read : 1 BCLK cycle Write : 2 BCLK cycles
			012	2 BCLK cycles
			102	3 BCLK cycles
			112	4 BCLK cycles
	Multiplex bus	_____	002	3 BCLK cycle
			012	3 BCLK cycles
			102	3 BCLK cycles
			112	4 BCLK cycles



## Bus Control

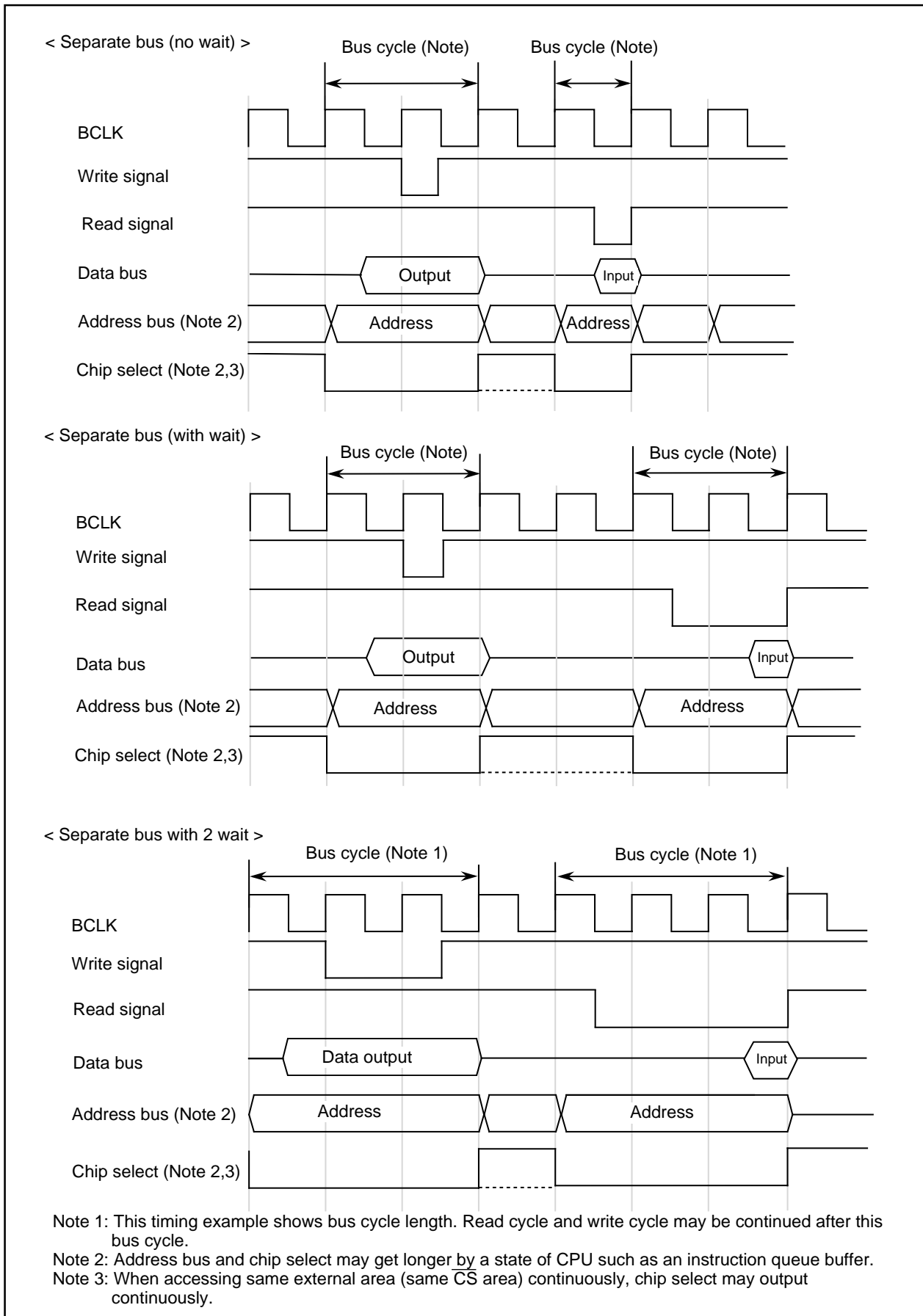


Figure 1.7.7. Typical bus timings using software wait

Bus Control

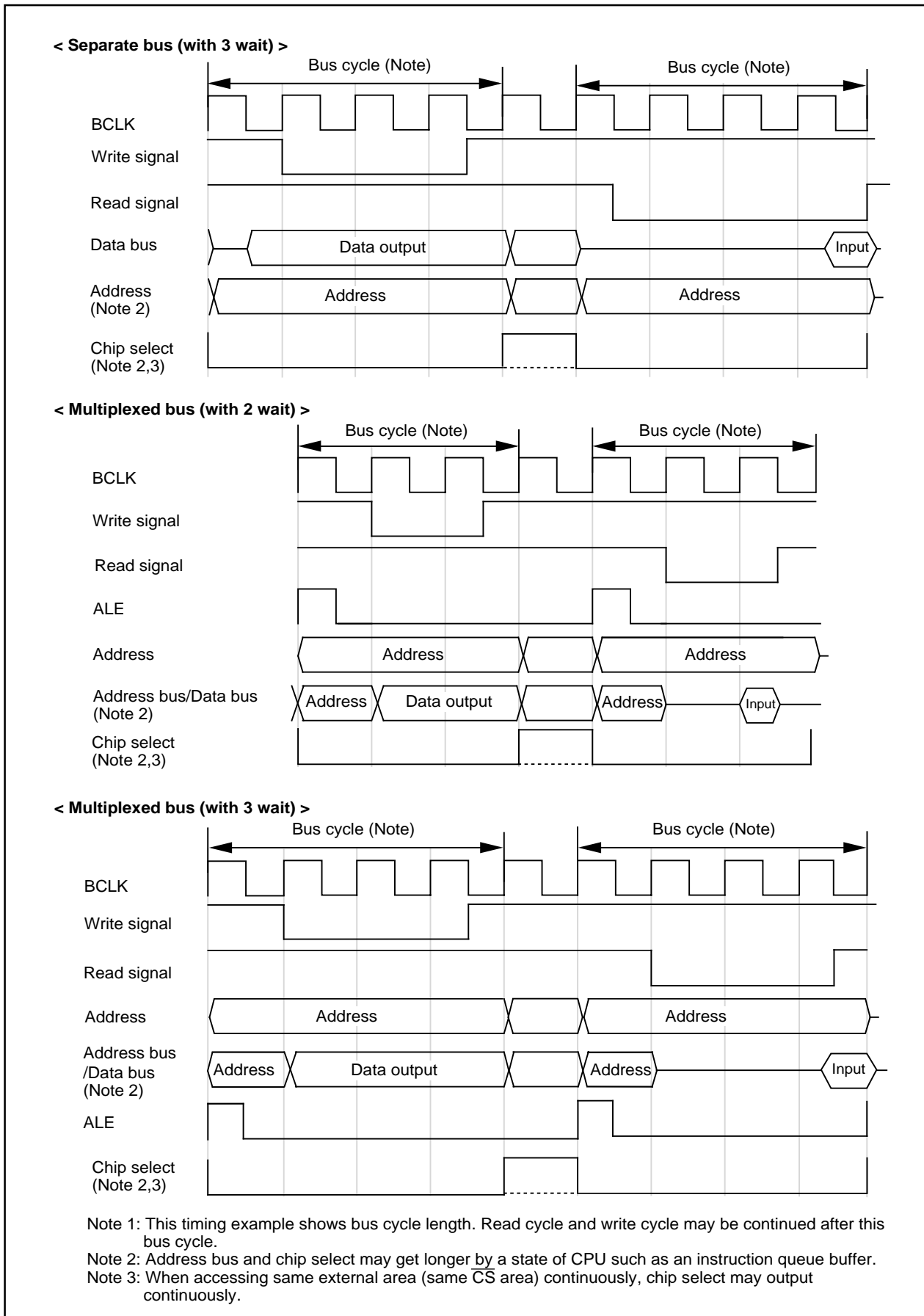


Figure 1.7.8. Typical bus timings using software wait

## Clock Generating Circuit

### Clock Generating Circuit

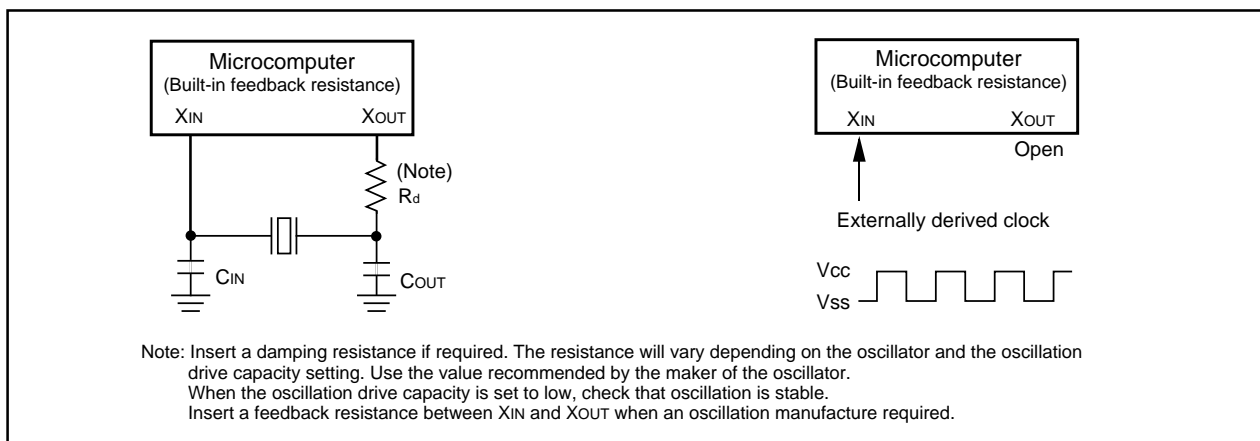
The clock generating circuit contains two oscillator circuits that supply the operating clock sources to the CPU and internal peripheral units.

**Table 1.8.1. Main clock and sub clock generating circuits**

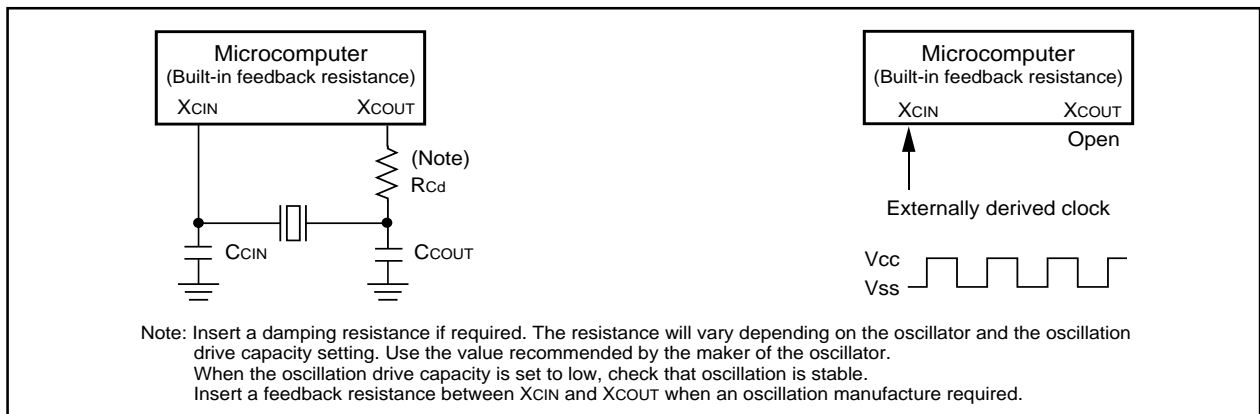
	Main clock generating circuit	Sub clock generating circuit
Use of clock	<ul style="list-style-type: none"> <li>• CPU's operating clock source</li> <li>• Internal peripheral units' operating clock source</li> </ul>	<ul style="list-style-type: none"> <li>• CPU's operating clock source</li> <li>• Timer A/B's count clock source</li> </ul>
Usable oscillator	Ceramic or crystal oscillator	Crystal oscillator
Pins to connect oscillator	XIN, XOUT	XcIN, XcOUT
Oscillation stop/restart function	Available	Available
Oscillator status immediately after reset	Oscillating	Stopped
Other	Externally derived clock can be input	

### Example of oscillator circuit

Figure 1.8.1 shows some examples of the main clock circuit, one using an oscillator connected to the circuit, and the other one using an externally derived clock for input. Figure 1.8.2 shows some examples of sub clock circuits, one using an oscillator connected to the circuit, and the other one using an externally derived clock for input. Circuit constants in Figures 1.8.1 and 1.8.2 vary with each oscillator used. Use the values recommended by the manufacturer of your oscillator.



**Figure 1.8.1. Examples of main clock**



**Figure 1.8.2. Examples of sub clock**

Clock Generating Circuit

Clock Control

Figure 1.8.3 shows the block diagram of the clock generating circuit.

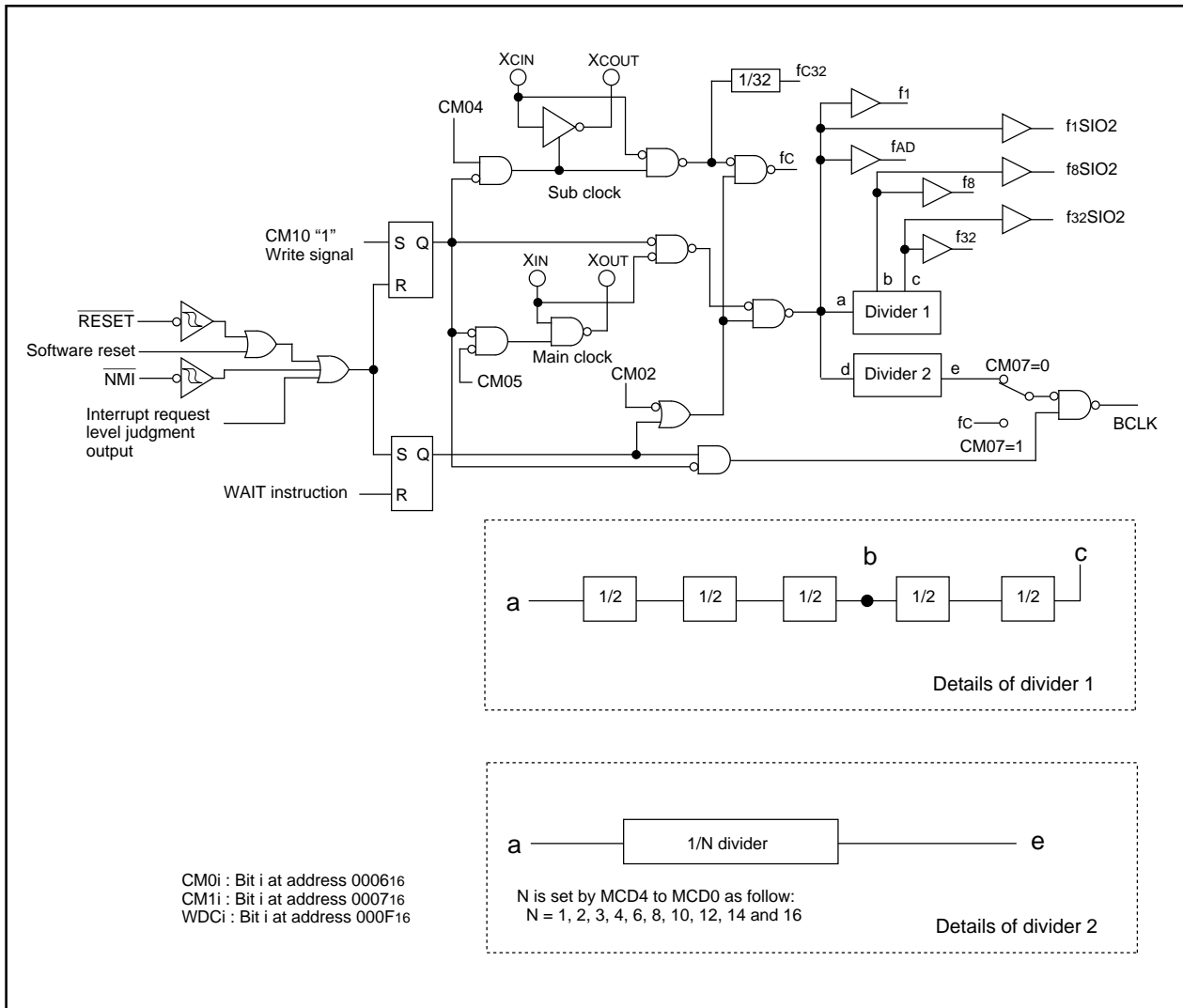


Figure 1.8.3. Clock generating circuit

## Clock Generating Circuit

The following paragraphs describes the clocks generated by the clock generating circuit.

### (1) Main clock

The main clock is generated by the main clock oscillation circuit. After a reset, the clock is divided by 8 to the BCLK. The clock can be stopped using the main clock stop bit (bit 5 at address 0006<sub>16</sub>). Switching to the sub clock oscillation as CPU operating clock source before stopping the clock reduces the power dissipation.

When the main clock is stopped (bit 5 at address 0006<sub>16</sub> =1) or the mode is shifted to stop mode (bit 0 at address 0007<sub>16</sub> =1), the main clock division register (address 000C<sub>16</sub>) is set to the division by 8 ("08<sub>16</sub>"). After the oscillation of the main clock oscillation circuit has stabilized, the drive capacity of the main clock oscillation circuit can be reduced using the X<sub>IN</sub>-X<sub>OUT</sub> drive capacity select bit (bit 5 at address 0007<sub>16</sub>). Reducing the drive capacity of the main clock oscillation circuit reduces the power dissipation. This bit defaults to "1" when shifting from high-speed or middle-speed mode to stop mode and after a reset.

This bit remains in low-speed and low power dissipation mode.

### (2) Sub clock

The sub clock is generated by the sub clock oscillation circuit. No sub clock is generated after a reset. After oscillation is started using the port X<sub>c</sub> select bit (bit 4 at address 0006<sub>16</sub>), the sub clock can be selected as the BCLK by using the system clock select bit (bit 7 at address 0006<sub>16</sub>). However, be sure that the sub clock oscillation has fully stabilized before switching.

After the oscillation of the sub clock oscillation circuit has stabilized, the drive capacity of the sub clock oscillation circuit can be reduced using the X<sub>CIN</sub>-X<sub>COU</sub>T drive capacity select bit (bit 3 at address 0006<sub>16</sub>). Reducing the drive capacity of the sub clock oscillation circuit reduces the power dissipation. This bit changes to "1" when shifting to stop mode and at a reset.

When the sub clock is used, set ports P8<sub>6</sub> and P8<sub>7</sub> to no pull-up resistance with the input port.

### (3) BCLK

The BCLK is the clock that drives the CPU, and is either fc or is derived by dividing the main clock by 1, 2, 3, 4, 6, 8, 10, 12, 14 or 16. The BCLK is derived by dividing the main clock by 8 after a reset.

This signal is output from BCLK pin using CM01, CM00 and PM07 in memory expansion mode and microprocessor mode.

When main clock is stopped or shifting to stop mode, the main clock division register (address 000C<sub>16</sub>) is set to the division by 8 ("08<sub>16</sub>").

### (4) Peripheral function clock

- f<sub>1</sub>, f<sub>8</sub>, f<sub>32</sub>, f<sub>1SIO2</sub>, f<sub>8SIO2</sub>, f<sub>32SIO2</sub>

The clock for the peripheral devices is derived from the main clock or by dividing it by 8 or 32. The peripheral function clock is stopped by stopping the main clock or by setting the WAIT peripheral function clock stop bit (bit 2 at 0006<sub>16</sub>) to "1" and then executing a WAIT instruction.

- f<sub>AD</sub>

This clock has the same frequency as the main clock and is used for A-D conversion.

### (5) f<sub>c32</sub>

This clock is derived by dividing the sub clock by 32. It is used for the timer A and timer B counts.

### (6) f<sub>c</sub>

This clock has the same frequency as the sub clock. It is used for BCLK and for the watchdog timer.

Figure 1.8.4 shows the system clock control registers 0 and 1 and figure 1.8.5 shows main clock division register.

## Clock Generating Circuit

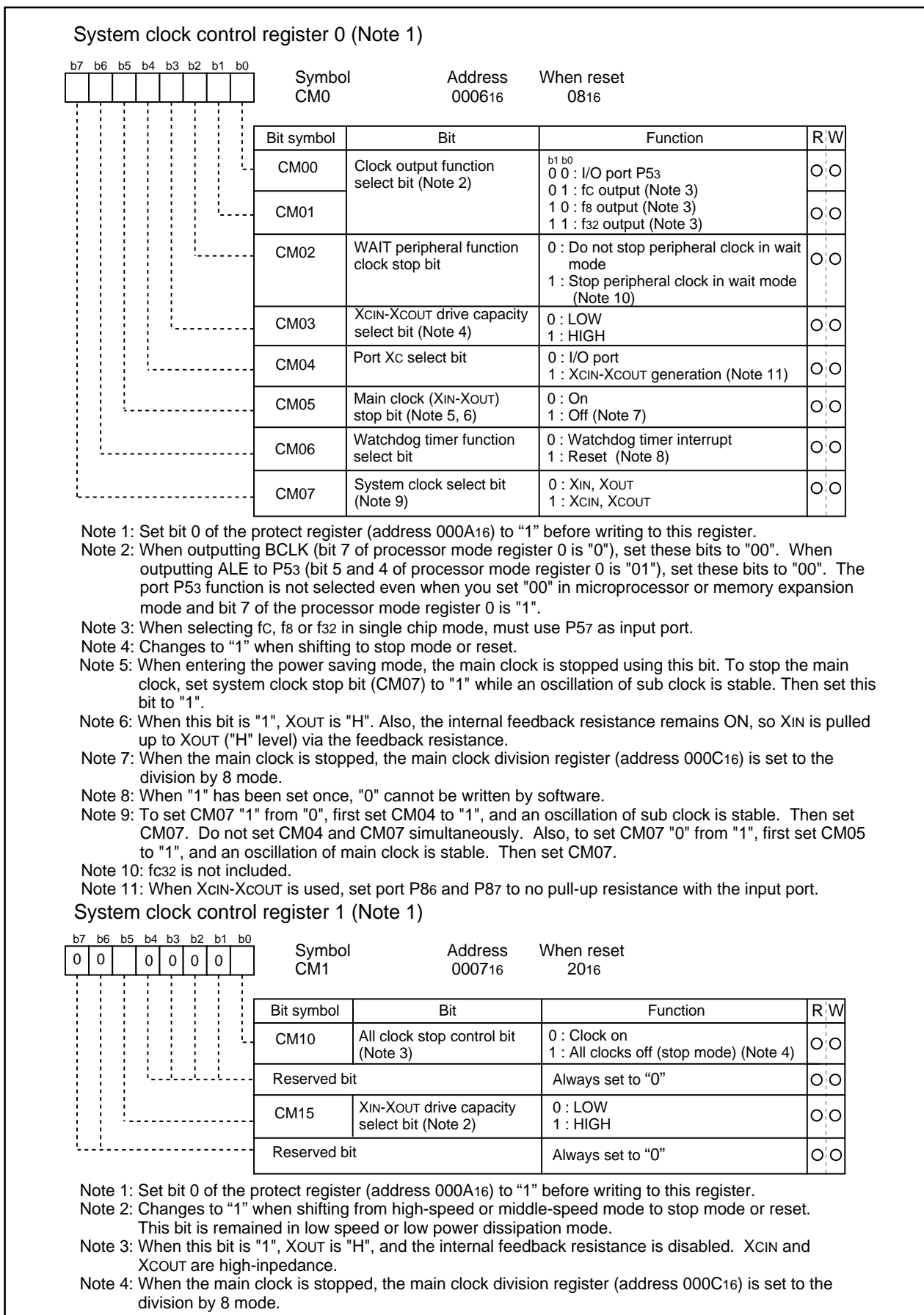


Figure 1.8.4. System clock control registers 0 and 1

## Clock Generating Circuit

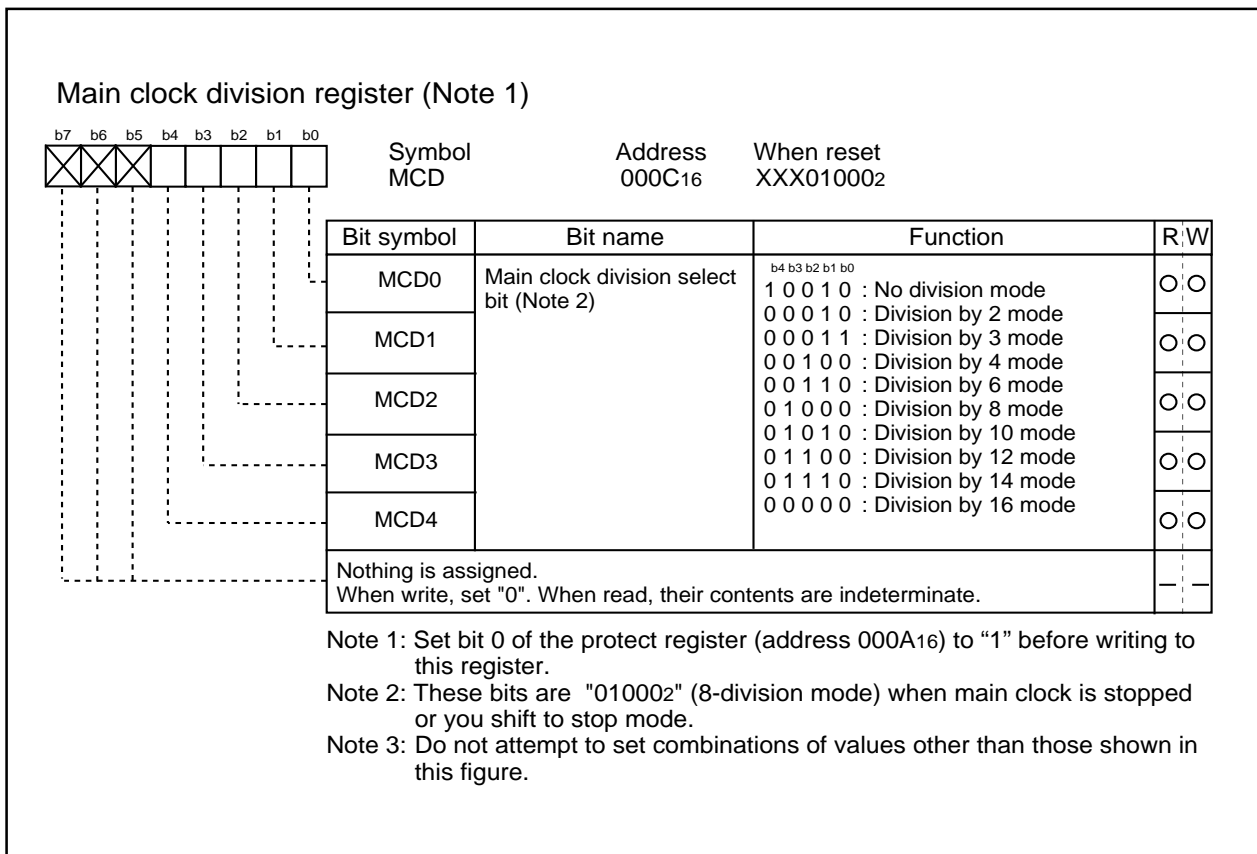


Figure 1.8.5. Main clock division register

## Clock Output

In single chip mode, when the BCLK output function select bit (bit 7 at address 0004<sub>16</sub>:PM07) is "1", you can output f8, f32, or fc from the P53/BCLK/ALE/CLKOUT pins by setting the clock output function select bits (bits 1 and 0 at address 0006<sub>16</sub>:CM01, CM00).(Note)

Even when you set PM07 to "0" and CM01 and CM00 to "00<sub>2</sub>", no BCLK is output.

In memory expansion mode or microprocessor mode, when the ALE pin select bits (bits 5 and 4 at address 0005<sub>16</sub>:PM15, PM14) are other than "01<sub>2</sub>(P53/BCLK)" and PM07 is "1", you can output f8, f32, or fc from the P53/BCLK/ALE/CLKOUT pins by setting CM01 and CM00.

In memory expansion mode or microprocessor mode, when PM15 and PM14 are other than "01<sub>2</sub>(P53/BCLK)" and PM07 is "0" and CM01 and CM00 to "00<sub>2</sub>", BCLK is output from the P53/BCLK/ALE/CLKOUT pins.

When stopping clock output in memory expansion mode or microprocessor mode, set PM07 to "1" and CM01 and CM00 to "00<sub>2</sub>" (IO port P53). The P53 function is not selected. When PM15 and PM14 are "01<sub>2</sub>(P53/BCLK)" and CM01 and CM00 are "00<sub>2</sub>", PM07 is ignored and the P53 pin is set for ALE output.

When the WAIT peripheral function clock stop bit (bit 2 at address 0006<sub>16</sub>) is set to "1", f8 or f32 clock output is stopped when a WAIT command is executed.

Table 1.8.2 shows clock output setting (single chip mode) and Table 1.8.3 shows clock output setting (memory expansion/microprocessor mode).

Note :When outputting the f8, f32 or fc from port P53/BCLK/ALE/CLKOUT pin in single chip mode, use port P57/RDY as an input only port.

## Clock Generating Circuit

**Table 1.8.2. Clock output setting (single chip mode)**

BCLK output function select bit	Clock output function select bit		ALE pin select bit		P53/BCLK/ALE/CLKOUT pin function
	PM07	CM01	CM00	PM15	
0/1	0	0	Ignored	Ignored	P53 I/O port
1	0	1	Ignored	Ignored	fc output (Note)
1	1	0	Ignored	Ignored	f8 output (Note)
1	1	1	Ignored	Ignored	f32 output (Note)

Note :Must use P57 as input port.

**Table 1.8.3. Clock output setting (memory expansion/microprocessor mode)**

BCLK output function select bit	Clock output function select bit		ALE pin select bit		P53/BCLK/ALE/CLKOUT pin function
	PM07	CM01	CM00	PM15	
0	0	0	0 1 1	0 0 1	BCLK output
1	0	0			"L" output (not P53)
1	0	1			fc output
1	1	0			f8 output
1	1	1			f32 output
Ignored	0	0	0	1	ALE output

## Stop Mode

Writing "1" to the all-clock stop control bit (bit 0 at address 0007<sub>16</sub>) stops all oscillation and the microcomputer enters stop mode. In stop mode, the content of the internal RAM is retained provided that VCC remains above 2V.

Because the oscillation of BCLK, f<sub>1</sub> to f<sub>32</sub>, f<sub>1SIO2</sub> to f<sub>32SIO2</sub>, fc, fc<sub>32</sub>, and fAD stops in stop mode, peripheral functions such as the A-D converter and watchdog timer do not function. However, timer A and timer B operate provided that the event counter mode is set to an external pulse, and UART<sub>i</sub>(i = 0 to 2) functions provided an external clock is selected. Table 1.8.4 shows the status of the ports in stop mode.

Stop mode is cancelled by a hardware reset or interrupt.

When using an interrupt to exit stop mode, the relevant interrupt must have been enabled and set to a priority level above the level set by the interrupt priority set bits (bits 2, 1, and 0 at address 009F<sub>16</sub>) for exiting a stop/wait state. Set the interrupt priority set bits for the exit from a stop/wait state to the same level as the flag register (FLG) processor interrupt level (IPL). Figure 1.8.6 shows the exit priority register.

When exiting stop mode using an interrupt, the relevant interrupt routine is executed.

Although stop mode is cancelled by hardware reset only, the interrupt enable flag (I flag) must be set to "1".

When shifting to stop mode and reset, the main clock division register (000C<sub>16</sub>) is set to "08<sub>16</sub>".



## Clock Generating Circuit

Table 1.8.4. Port status during stop mode

Pin		Memory expansion mode Microprocessor mode	Single-chip mode	
Address bus, data bus, $\overline{CS0}$ to $\overline{CS3}$ , BHE		Retains status before stop mode	/	
RD, WR, WRL, WRH, DW, CASL, CASH		"H" (Note)		
RAS		"H" (Note)		
HLDA, BCLK		"H"		
ALE		"H"		
Port		Retains status before stop mode		Retains status before stop mode
CLKOUT	When fc selected	"H"		"H"
	When f8, f32 selected	Retains status before stop mode	Retains status before stop mode	

Note :When self-refresh is done in operating DRAM control,  $\overline{CAS}$  and  $\overline{RAS}$  becomes "L".

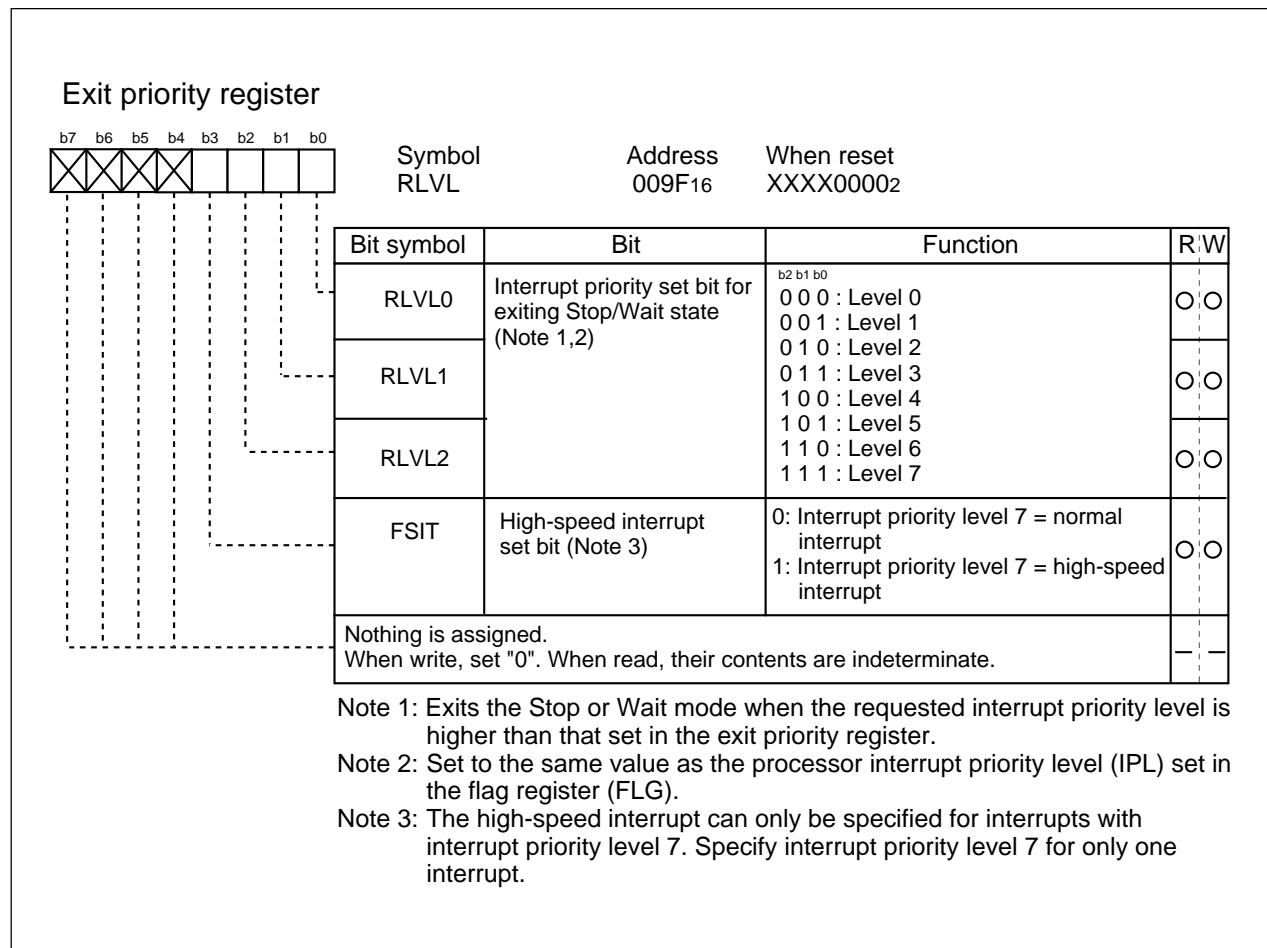


Figure 1.8.6. Exit priority register

## Wait Mode

**Wait Mode**

When a WAIT instruction is executed, the BCLK stops and the microcomputer enters the wait mode. In this mode, oscillation continues but the BCLK and watchdog timer stop. Writing "1" to the WAIT peripheral function clock stop bit and executing a WAIT instruction stops the clock being supplied to the internal peripheral functions, allowing power dissipation to be reduced. Table 1.8.5 shows the status of the ports in wait mode.

Wait mode is cancelled by a hardware reset or interrupt. If an interrupt is used to cancel wait mode, the microcomputer restarts using as BCLK the clock that had been selected when the WAIT instruction was executed.

When using an interrupt to exit Wait mode, the relevant interrupt must have been enabled and set to a priority level above the level set by the interrupt priority set bits for exiting a stop/wait state (bits 2, 1, and 0 at address 009F16). Set the interrupt priority set bits for the exit from a stop/wait state to the same level as the flag register (FLG) processor interrupt level (IPL).

When using an interrupt to exit Wait mode, the microcomputer resumes operating the clock that was operating when the WAIT command was executed as BCLK from the interrupt routine.

**Table 1.8.5. Port status during wait mode**

Pin		Memory expansion mode Microprocessor mode	Single-chip mode
Address bus, data bus, $\overline{CS0}$ to $\overline{CS3}$ , $\overline{BHE}$		Retains status before wait mode	/
RD, WR, $\overline{WRL}$ , $\overline{WRH}$ , DW, CASL, $\overline{CASH}$		"H" (Note)	
$\overline{RAS}$		"H" (Note)	
HLDA, BCLK		"H"	
ALE		"L"	
Port		Retains status before wait mode	
CLKOUT	When f <sub>c</sub> selected	Does not stop	
	When f <sub>8</sub> , f <sub>32</sub> selected	Does not stop when the WAIT peripheral function clock stop bit is "0". When the WAIT peripheral function clock stop bit is "1", the status immediately prior to entering wait mode is maintained.	

Note :When self-refresh is done in operating DRAM control,  $\overline{CAS}$  and  $\overline{RAS}$  becomes "L".

## Status Transition of BCLK

Power dissipation can be reduced and low-voltage operation achieved by changing the count source for BCLK. Table 1.8.6 shows the operating modes corresponding to the settings of system clock control registers 0 and main clock division register.

After a reset, operation defaults to division by 8 mode. When shifting to stop mode, reset or stopping main clock, the main clock division register (address 000C16) is set to "0816".

### (1) Division by 2 mode

The main clock is divided by 2 to obtain the BCLK.

### (2) Division by 3 mode

The main clock is divided by 3 to obtain the BCLK.

### (3) Division by 4 mode

The main clock is divided by 4 to obtain the BCLK.

### (4) Division by 6 mode

The main clock is divided by 6 to obtain the BCLK.

### (5) Division by 8 mode

The main clock is divided by 8 to obtain the BCLK. After reset, this mode is executed. Note that oscillation of the main clock must have stabilized before transferring from this mode to no-division, division by 2, 6, 10, 12, 14 and 16 mode.

Oscillation of the sub clock must have stabilized before transferring to low-speed and low power dissipation mode.

### (6) Division by 10 mode

The main clock is divided by 10 to obtain the BCLK.

### (7) Division by 12 mode

The main clock is divided by 12 to obtain the BCLK.

### (8) Division by 14 mode

The main clock is divided by 14 to obtain the BCLK.

### (9) Division by 16 mode

The main clock is divided by 16 to obtain the BCLK.

### (10) No-division mode

The main clock is divided by 1 to obtain the BCLK.

### (11) Low-speed mode

fc is used as BCLK. Note that oscillation of both the main and sub clocks must have stabilized before transferring from this mode to another or vice versa. At least 2 to 3 seconds are required after the sub clock starts. Therefore, the program must be written to wait until this clock has stabilized immediately after powering up and after stop mode is cancelled.

### (12) Low power dissipation mode

fc is the BCLK and the main clock is stopped.

When the main clock is stopped, the main clock division register (address 000C16) is set to the division by 8 mode.

## BCLK Status

Note: When count source of BCLK is changed from clock A to clock B (XIN to XCIN or XCIN to XIN), clock B needs to be stable before changing. Please wait to change modes until after oscillation has stabilized.

**Table 1.8.6. Operating modes dictated by settings of system clock control register 0 and main clock division register**

CM07	CM05	CM04	MCD4	MCD3	MCD2	MCD1	MCD0	Operating mode of BCLK
0	0	Invalid	1	0	0	1	0	No division
0	0	Invalid	0	0	0	1	0	Division by 2 mode
0	0	Invalid	0	0	0	1	1	Division by 3 mode
0	0	Invalid	0	0	1	0	0	Division by 4 mode
0	0	Invalid	0	0	1	1	0	Division by 6 mode
0	0	Invalid	0	1	0	0	0	Division by 8 mode
0	0	Invalid	0	1	0	1	0	Division by 10 mode
0	0	Invalid	0	1	1	0	0	Division by 12 mode
0	0	Invalid	0	1	1	1	0	Division by 14 mode
0	0	Invalid	0	0	0	0	0	Division by 16 mode
1	0	1	Invalid	Invalid	Invalid	Invalid	Invalid	Low-speed mode
1	1	1	Invalid	Invalid	Invalid	Invalid	Invalid	Low power dissipation mode

CM0i: Clock control register 0 (address 0006<sub>16</sub>) bit i

MCDi: Main clock division register (address 000C<sub>16</sub>) bit i

## Power Saving

In Power Save modes, the CPU and oscillator stop and the operating clock is slowed to minimize power dissipation by the CPU. The following outlines the Power Save modes.

There are three power save modes.

### (1) Normal operating mode

- **High-speed mode**

In this mode, one main clock cycle forms BCLK. The CPU operates on the selected internal clock. The peripheral functions operate on the clocks specified for each respective function.

- **Medium-speed mode**

In this mode, the main clock is divided into 2, 3, 4, 6, 8, 10, 12, 14, or 16 to form BCLK. The CPU operates on the selected internal clock. The peripheral functions operated on the clocks specified for each respective function.

- **Low-speed mode**

In this mode, fc forms BCLK. The CPU operates on the fc clock. fc is the clock supplied by the subclock. The peripheral functions operate on the clocks specified for each respective function.

- **Low power-dissipation mode**

This mode is selected when the main clock is stopped from low-speed mode. The CPU operates on the fc clock. fc is the clock supplied by the subclock. Only the peripheral functions for which the subclock was selected as the count source continue to run.

### (2) Wait mode

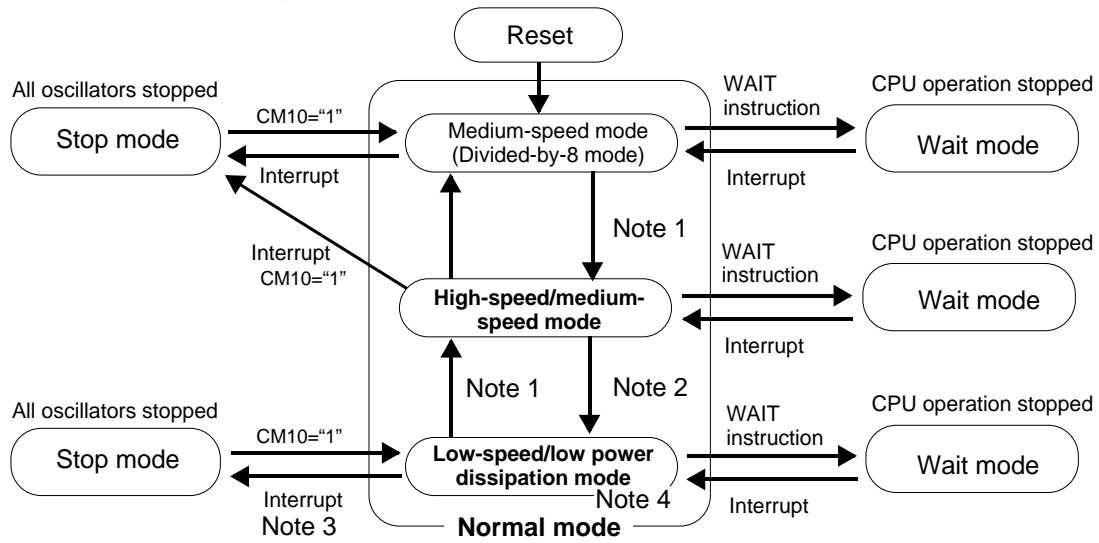
CPU operation is halted in this mode. The oscillator continues to run.

### (3) Stop mode

All oscillators stop in this mode. The CPU and internal peripheral functions all stop. Of all 3 power saving modes, power savings are greatest in this mode.

Figure 1.8.7 shows the clock transition between each of the three modes, (1), (2), and (3).

### Transition of stop mode, wait mode

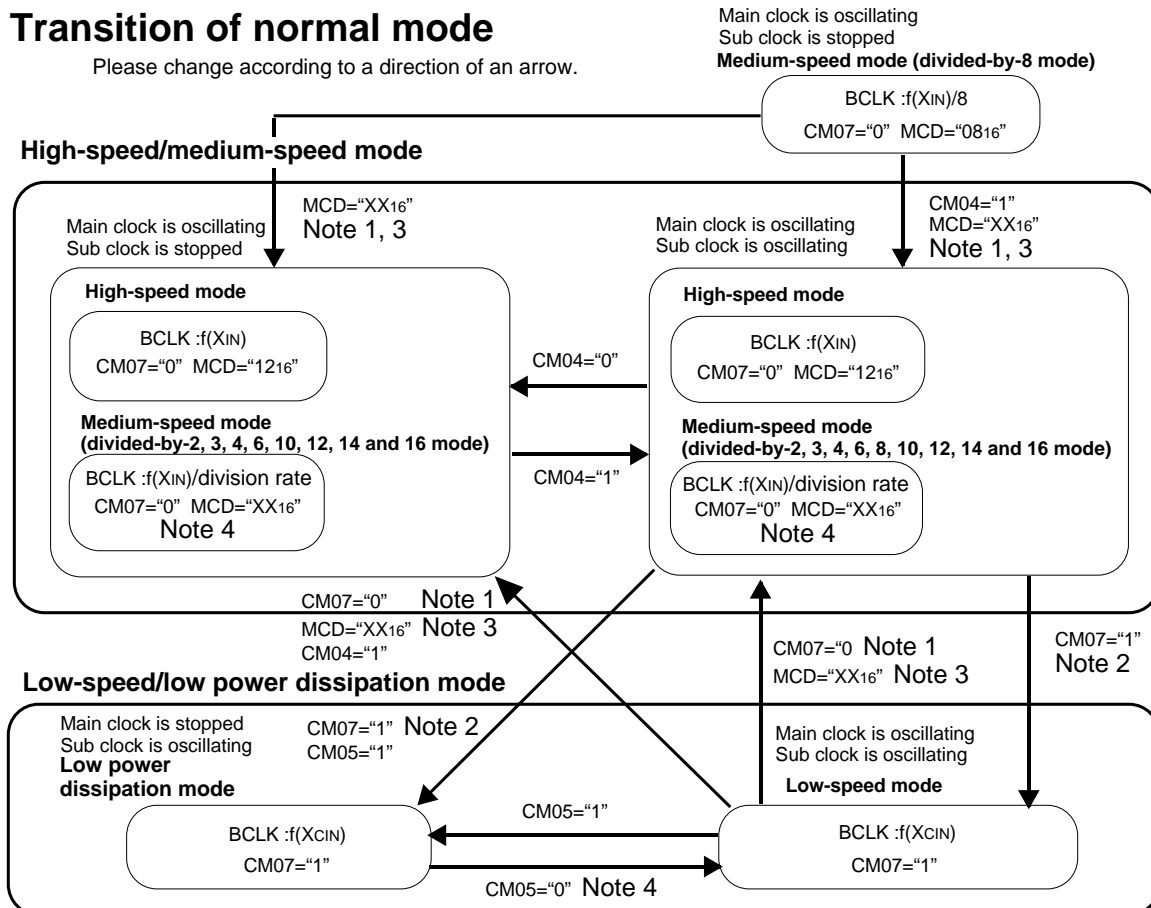


(Please see the following as transition of normal mode.)

- Note 1: Switch clocks after oscillation of main clock is fully stable. After stop mode or when main clock oscillation is stopped, transferred to the middle speed mode.
- Note 2: Switch clocks after oscillation of sub clock is fully stable.
- Note 3: The main clock division register is set to the division by 8 mode (MCD="0816").
- Note 4: When shifting to low power dissipation mode, the main clock division register is set to the division by 8 mode (MCD="0816").

### Transition of normal mode

Please change according to a direction of an arrow.



- Note 1: Switch clocks after oscillation of main clock is fully stable.
- Note 2: Switch clocks after oscillation of sub clock is fully stable.
- Note 3: Set the desired division to the main clock division register (MCD).
- Note 4: When shifting to division by 8 mode, MCD is set to "0816".

Figure 1.8.7. Clock transition

## Protection

## Protection

The protection function is provided so that the values in important registers cannot be changed in the event that the program runs out of control. Figure 1.8.8 shows the protect register. The values in the processor mode register 0 (address 0004<sub>16</sub>), processor mode register 1 (address 0005<sub>16</sub>), system clock control register 0 (address 0006<sub>16</sub>), system clock control register 1 (address 0007<sub>16</sub>), main clock division register (address 000C<sub>16</sub>), port P9 direction register (address 03C7<sub>16</sub>) and function select register A3 (address 03B5<sub>16</sub>) can only be changed when the respective bit in the protect register is set to "1". Therefore, important outputs can be allocated to port P9.

If, after "1" (write-enabled) has been written to the PRC2 (bit 2 at address 000A<sub>16</sub>), a value is written to any address, the bit automatically reverts to "0" (write-inhibited). Change port P9 input/output and function select register A3 immediately after setting "1" to PRC2. Interrupt and DMA transfer should not be inserted between instructions. However, the PRC0 (bit 0 at address 000A<sub>16</sub>) and PRC1 (bit 1 at address 000A<sub>16</sub>) do not automatically return to "0" after a value has been written to an address. The program must therefore be written to return these bits to "0".

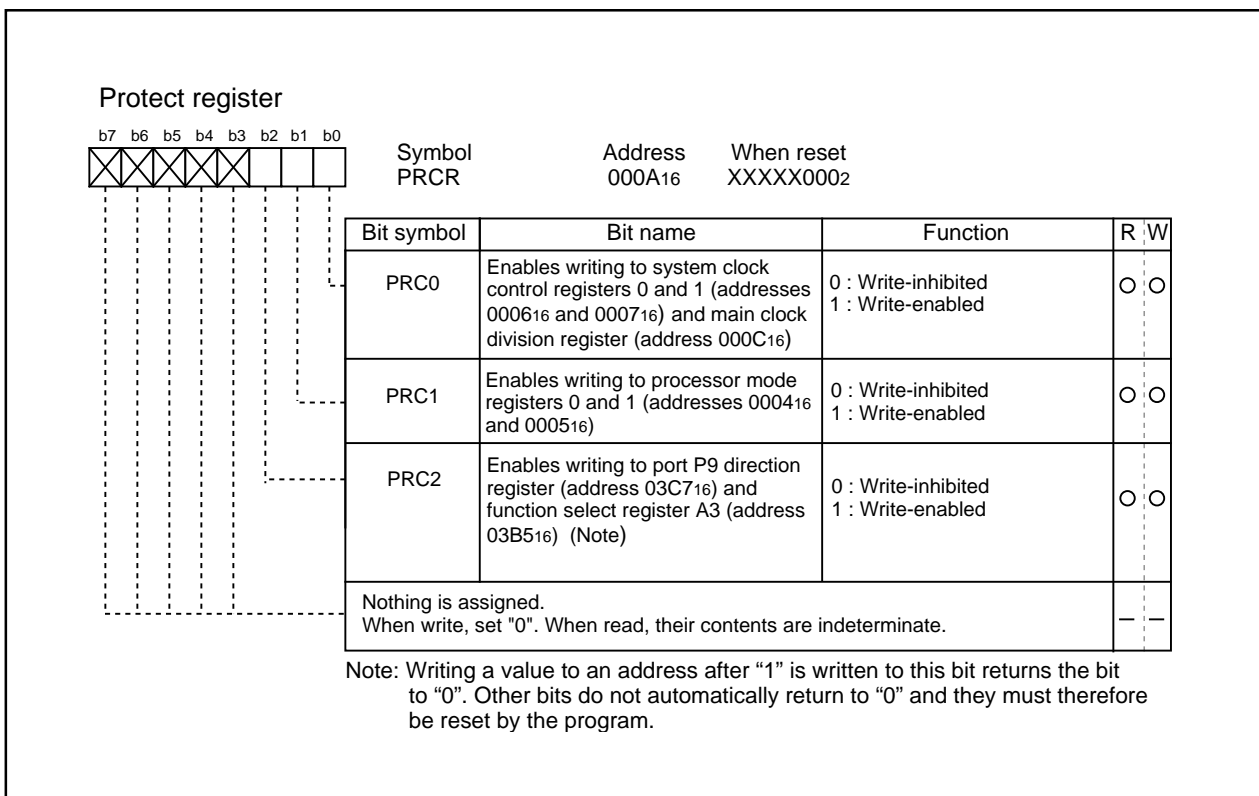


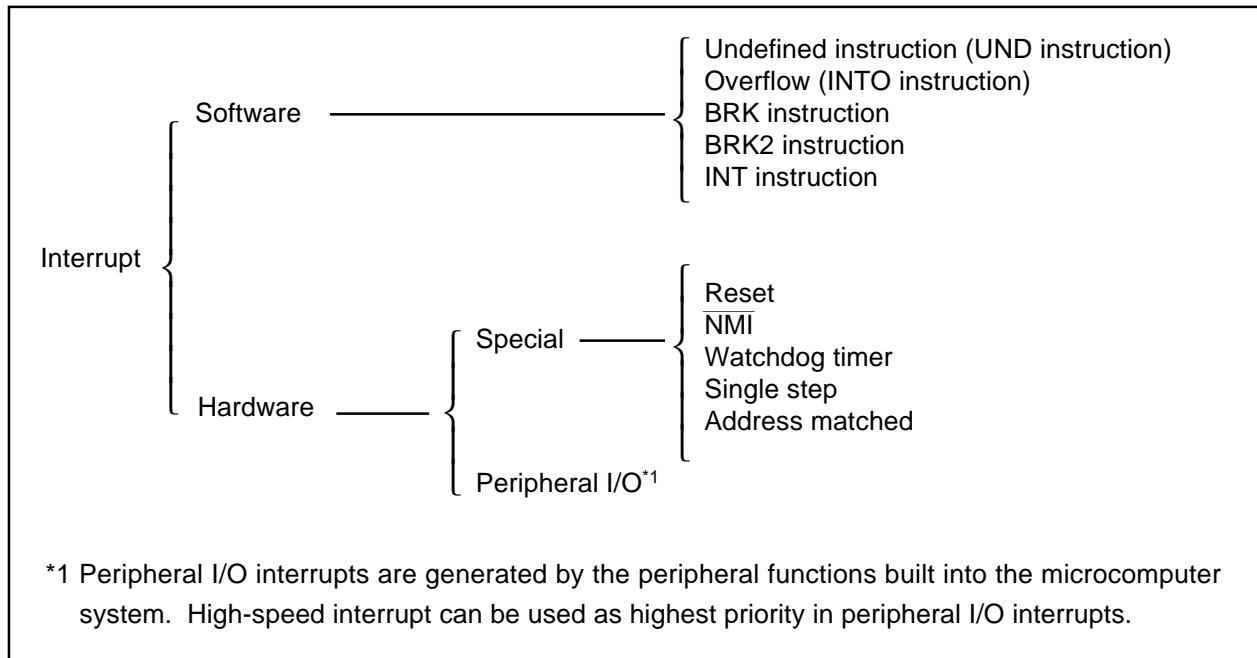
Figure 1.8.8. Protect register

## Interrupts

### Interrupt Outline

#### Types of Interrupts

Figure 1.9.1 lists the types of interrupts.



**Figure 1.9.1. Classification of interrupts**

- Maskable interrupt : An interrupt which can be enabled (disabled) by the interrupt enable flag (I flag) or whose interrupt priority **can be changed** by priority level.
- Non-maskable interrupt : An interrupt which cannot be enabled (disabled) by the interrupt enable flag (I flag) or whose interrupt priority **cannot be changed** by priority level.



## Software Interrupts

Software interrupts are generated by some instruction that generates an interrupt request when executed. Software interrupts are nonmaskable interrupts.

### (1) Undefined-instruction interrupt

This interrupt occurs when the UND instruction is executed.

### (2) Overflow interrupt

This interrupt occurs if the INTO instruction is executed when the O flag is 1.

The following lists the instructions that cause the O flag to change:

ABS, ADC, ADCF, ADD, ADDX, CMP, CMPX, DIV, DIVU, DIVX, NEG, RMPA, SBB, SCMPU, SHA, SUB, SUBX

### (3) BRK interrupt

This interrupt occurs when the BRK instruction is executed.

### (4) BRK2 interrupt

This interrupt occurs when the BRK2 instruction is executed. This interrupt is used exclusively for debugger purposes. You normally do not need to use this interrupt.

### (5) INT instruction interrupt

This interrupt occurs when the INT instruction is executed after specifying a software interrupt number from 0 to 63. Note that software interrupt numbers 0 to 43 are assigned to peripheral I/O interrupts. This means that by executing the INT instruction, you can execute the same interrupt routine as used in peripheral I/O interrupts.

The stack pointer used in INT instruction interrupt varies depending on the software interrupt number. For software interrupt numbers 0 to 31, the U flag is saved when an interrupt occurs and the U flag is cleared to 0 to choose the interrupt stack pointer (ISP) before executing the interrupt sequence. The previous U flag before the interrupt occurred is restored when control returns from the interrupt routine. For software interrupt numbers 32 to 63, such stack pointer switchover does not occur.

However, in peripheral I/O interrupts, the U flag is saved when an interrupt occurs and the U flag is cleared to 0 to choose ISP.

Therefore movement of U flag is different by peripheral I/O interrupt or INT instruction in software interrupt number 32 to 43.

## Hardware Interrupts

There are Two types in hardware Interrupts; special interrupts and Peripheral I/O interrupts.

### (1) Special interrupts

Special interrupts are nonmaskable interrupts.

- **Reset**

A reset occurs when the  $\overline{\text{RESET}}$  pin is pulled low.

- **$\overline{\text{NMI}}$  interrupt**

This interrupt occurs when the  $\overline{\text{NMI}}$  pin is pulled low.

- **Watchdog timer interrupt**

This interrupt is caused by the watchdog timer.

- **Address-match interrupt**

This interrupt occurs immediately before the instruction at the address indicated by the address match interrupt register is executed while the address match interrupt enable bit is set to "1".

This interrupt does not occur if any address other than the start address of an instruction is set in the address match register.

- **Single-step interrupt**

This interrupt is used exclusively for debugger purposes, do not use it in other circumstances. A single-step interrupt occurs when the D flag is set (= 1); in this case, an interrupt is generated after one instruction is executed.

### (2) Peripheral I/O interrupts

A peripheral I/O interrupt is generated by one of built-in peripheral functions. Built-in peripheral functions are dependent on classes of products, so the interrupt factors too are dependent on classes of products. The interrupt vector table is the same as the one for software interrupt numbers 0 through 43 the INT instruction uses. Peripheral I/O interrupts are maskable interrupts.

- **Bus collision detection, start/stop condition detection interrupts (UART2, UART3, UART4), fault error interrupts (UART3, 4)**

This is an interrupt that the serial I/O bus collision detection generates. When I<sup>2</sup>C mode is selected, start, stop condition interrupt is selected. When  $\overline{\text{SS}}$  pin is selected, fault error interrupt is selected.

- **DMA0 through DMA3 interrupts**

These are interrupts that DMA generates.

- **Key-input interrupt**

A key-input interrupt occurs if an "L" is input to the  $\overline{\text{KI}}$  pin.

- **A-D conversion interrupt**

This is an interrupt that the A-D converter generates.

- **UART0, UART1, UART2/NACK, UART3/NACK and UART4/NACK transmission interrupt**

These are interrupts that the serial I/O transmission generates.

- **UART0, UART1, UART2/ACK, UART3/ACK and UART4/ACK reception interrupt**

These are interrupts that the serial I/O reception generates.

- **Timer A0 interrupt through timer A4 interrupt**

These are interrupts that timer A generates

- **Timer B0 interrupt through timer B5 interrupt**

These are interrupts that timer B generates.

- **$\overline{\text{INT0}}$  interrupt through  $\overline{\text{INT5}}$  interrupt**

An  $\overline{\text{INT}}$  interrupt selects a edge sense or a level sense. In edge sense, an  $\overline{\text{INT}}$  interrupt occurs if either a rising edge or a falling edge or a both edge is input to the  $\overline{\text{INT}}$  pin. In level sense, an  $\overline{\text{INT}}$  interrupt occurs if either an "H" level or an "L" level is input to the  $\overline{\text{INT}}$  pin.

## Interrupts

### High-speed interrupts

High-speed interrupts are interrupts in which the response is executed at 5 cycles and the return is 3 cycles.

When a high-speed interrupt is received, the flag register (FLG) and program counter (PC) are saved to the save flag register (SVF) and save PC register (SVP) and the program is executed from the address shown in the vector register (VCT).

Execute a FREIT instruction to return from the high-speed interrupt routine.

High-speed interrupts can be set by setting "1" in the high-speed interrupt specification bit allocated to bit 3 of the exit priority register. Setting "1" in the high-speed interrupt specification bit makes the interrupt set to level 7 in the interrupt control register into a high-speed interrupt.

You can only set one interrupt as a high-speed interrupt. When using a high-speed interrupt, do not set multiple interrupts as level 7 interrupts.

The interrupt vector for a high-speed interrupt must be set in the vector register (VCT).

When using a high-speed interrupt, you can use a maximum of two DMAC channels.

The execution speed is improved when register bank 1 is used with high speed interrupt register selected by not saving registers to the stack but to the switching register bank. In this case, switch register bank mode for high-speed interrupt routine.

### Interrupts and Interrupt Vector Tables

If an interrupt request is accepted, a program branches to the interrupt routine set in the interrupt vector table. Set the first address of the interrupt routine in each vector table. Figure 1.9.2 shows the format for specifying the address.

Two types of interrupt vector tables are available — fixed vector table in which addresses are fixed and variable vector table in which addresses can be varied by the setting.

	MSB	LSB
Vector address + 0	Low address	
Vector address + 1	Mid address	
Vector address + 2	High address	
Vector address + 3	0 0 0 0	0 0 0 0

Figure 1.9.2. Format for specifying interrupt vector addresses

## Interrupts

### • Fixed vector tables

The fixed vector table is a table in which addresses are fixed. The vector tables are located in an area extending from FFFFDC<sub>16</sub> to FFFFFFF<sub>16</sub>. One vector table comprises four bytes. Set the first address of interrupt routine in each vector table. Table 1.9.1 shows the interrupts assigned to the fixed vector tables and addresses of vector tables.

**Table 1.9.1. Interrupt factors (fixed interrupt vector addresses)**

Interrupt source	Vector table addresses Address (L) to address (H)	Remarks
Undefined instruction	FFFFDC <sub>16</sub> to FFFFDF <sub>16</sub>	Interrupt on UND instruction
Overflow	FFFFE0 <sub>16</sub> to FFFF3 <sub>16</sub>	Interrupt on INTO instruction
BRK instruction execution	FFFFE4 <sub>16</sub> to FFFF7 <sub>16</sub>	If content of FFFF7 <sub>16</sub> is filled with FF <sub>16</sub> , program starts from the address shown by the vector in the variable vector table
Address match	FFFFE8 <sub>16</sub> to FFFFEB <sub>16</sub>	There is an address-matching interrupt enable bit
Watchdog timer	FFFFF0 <sub>16</sub> to FFFFF3 <sub>16</sub>	
NMI	FFFFF8 <sub>16</sub> to FFFFFB <sub>16</sub>	External interrupt by input to NMI pin
Reset	FFFFFC <sub>16</sub> to FFFFFFF <sub>16</sub>	

### • Vector table dedicated for emulator

Table 1.9.2 shows interrupt vector address which is vector table register dedicated for emulator (address 000020<sub>16</sub> to 000022<sub>16</sub>). These instructions are not effected with interrupt enable flag (I flag) (non maskable interrupt).

This interrupt is used exclusively for debugger purposes. You normally do not need to use this interrupt. Do not access to the interrupt vector table register dedicated for emulator (address 000020<sub>16</sub> to 000022<sub>16</sub>).

**Table 1.9.2. Interrupt vector table register for emulator**

Interrupt source	Vector table addresses Address (L) to address (H)	Remarks
BRK2 instruction	Interrupt vector table register for emulator 000020 <sub>16</sub> to 000022 <sub>16</sub>	Interrupt for debugger
Single step	Interrupt vector table register for emulator 000020 <sub>16</sub> to 000022 <sub>16</sub>	Interrupt for debugger

### • Variable vector tables

The addresses in the variable vector table can be modified, according to the user's settings. Indicate the first address using the interrupt table register (INTB). The 256-byte area subsequent to the address the INTB indicates becomes the area for the variable vector tables. One vector table comprises four bytes. Set the first address of the interrupt routine in each vector table. Table 1.9.3 shows the interrupts assigned to the variable vector tables and addresses of vector tables.

Set an even address to the start address of vector table setting in INTB so that operating efficiency is increased.

## Interrupts

Table 1.9.3. Interrupt causes (variable interrupt vector addresses)

Software interrupt number	Vector table address Address (L) to address (H)	Interrupt source	Remarks
Software interrupt number 0	+0 to +3 (Note 1)	BRK instruction	Cannot be masked I flag
Software interrupt number 8	+32 to +35 (Note 1)	DMA0	
Software interrupt number 9	+36 to +39 (Note 1)	DMA1	
Software interrupt number 10	+40 to +43 (Note 1)	DMA2	
Software interrupt number 11	+44 to +47 (Note 1)	DMA3	
Software interrupt number 12	+48 to +51 (Note 1)	Timer A0	
Software interrupt number 13	+52 to +55 (Note 1)	Timer A1	
Software interrupt number 14	+56 to +59 (Note 1)	Timer A2	
Software interrupt number 15	+60 to +63 (Note 1)	Timer A3	
Software interrupt number 16	+64 to +67 (Note 1)	Timer A4	
Software interrupt number 17	+68 to +71 (Note 1)	UART0 transmit	
Software interrupt number 18	+72 to +75 (Note 1)	UART0 receive	
Software interrupt number 19	+76 to +79 (Note 1)	UART1 transmit	
Software interrupt number 20	+80 to +83 (Note 1)	UART1 receive	
Software interrupt number 21	+84 to +87 (Note 1)	Timer B0	
Software interrupt number 22	+88 to +91 (Note 1)	Timer B1	
Software interrupt number 23	+92 to +95 (Note 1)	Timer B2	
Software interrupt number 24	+96 to +99 (Note 1)	Timer B3	
Software interrupt number 25	+100 to +103 (Note 1)	Timer B4	
Software interrupt number 26	+104 to +107 (Note 1)	$\overline{\text{INT5}}$	
Software interrupt number 27	+108 to +111 (Note 1)	$\overline{\text{INT4}}$	
Software interrupt number 28	+112 to +115 (Note 1)	$\overline{\text{INT3}}$	
Software interrupt number 29	+116 to +119 (Note 1)	$\overline{\text{INT2}}$	
Software interrupt number 30	+120 to +123 (Note 1)	$\overline{\text{INT1}}$	
Software interrupt number 31	+124 to +127 (Note 1)	$\overline{\text{INT0}}$	
Software interrupt number 32	+128 to +131 (Note 1)	Timer B5	
Software interrupt number 33	+132 to +135 (Note 1)	UART2 transmit/NACK (Note 2)	
Software interrupt number 34	+136 to +139 (Note 1)	UART2 receive/ACK (Note 2)	
Software interrupt number 35	+140 to +143 (Note 1)	UART3 transmit/NACK (Note 2)	
Software interrupt number 36	+144 to +147 (Note 1)	UART3 receive/ACK (Note 2)	
Software interrupt number 37	+148 to +151 (Note 1)	UART4 transmit/NACK (Note 2)	
Software interrupt number 38	+152 to +155 (Note 1)	UART4 receive/ACK (Note 2)	
Software interrupt number 39	+156 to +159 (Note 1)	Bus collision detection, start/stop condition detection (UART2) (Note 2)	
Software interrupt number 40	+160 to +163 (Note 1)	Bus collision detection, start/stop condition detection, fault error (UART3) (Note 2, 3)	
Software interrupt number 41	+164 to +167 (Note 1)	Bus collision detection, start/stop condition detection, fault error (UART4) (Note 2, 3)	
Software interrupt number 42	+168 to +171 (Note 1)	A-D	
Software interrupt number 43	+172 to +175 (Note 1)	Key input interrupt	
Software interrupt number 44 to Software interrupt number 63	+176 to +179 (Note 1) to +252 to +255 (Note 1)	Software interrupt	Cannot be masked I flag

Note 1: Address relative to address in interrupt table register (INTB).

Note 2: When I<sup>2</sup>C mode is selected, NACK/ACK, start/stop condition detection interrupts are selected.

Note 3: The fault error interrupt is selected when SS pin is selected.

**Interrupt control registers**

Peripheral I/O interrupts have their own interrupt control registers. Figure 1.9.3 shows the interrupt control registers.

When using an interrupt to exit Stop mode or Wait mode, the relevant interrupt must have been enabled and set to a priority level above the level set by the interrupt priority set bits for exit a stop/wait state (bits 2, 1, and 0 at address 009F16). Set the interrupt priority set bits for the exit from a stop/wait state to the same level as the flag register (FLG) processor interrupt level (IPL).

Figure 1.9.4 shows the exit priority register.

Interrupts

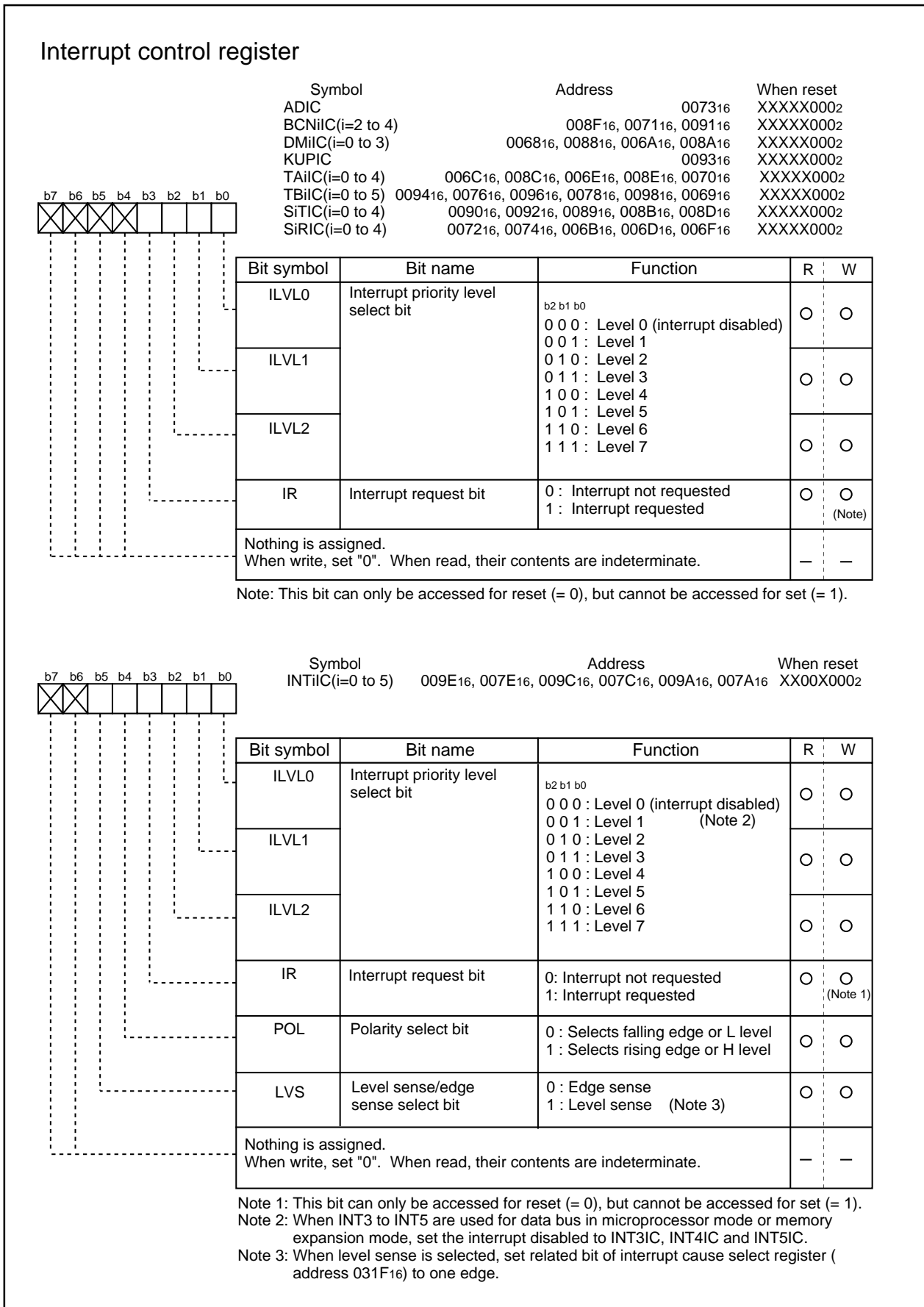


Figure 1.9.3. Interrupt control register

## Interrupts

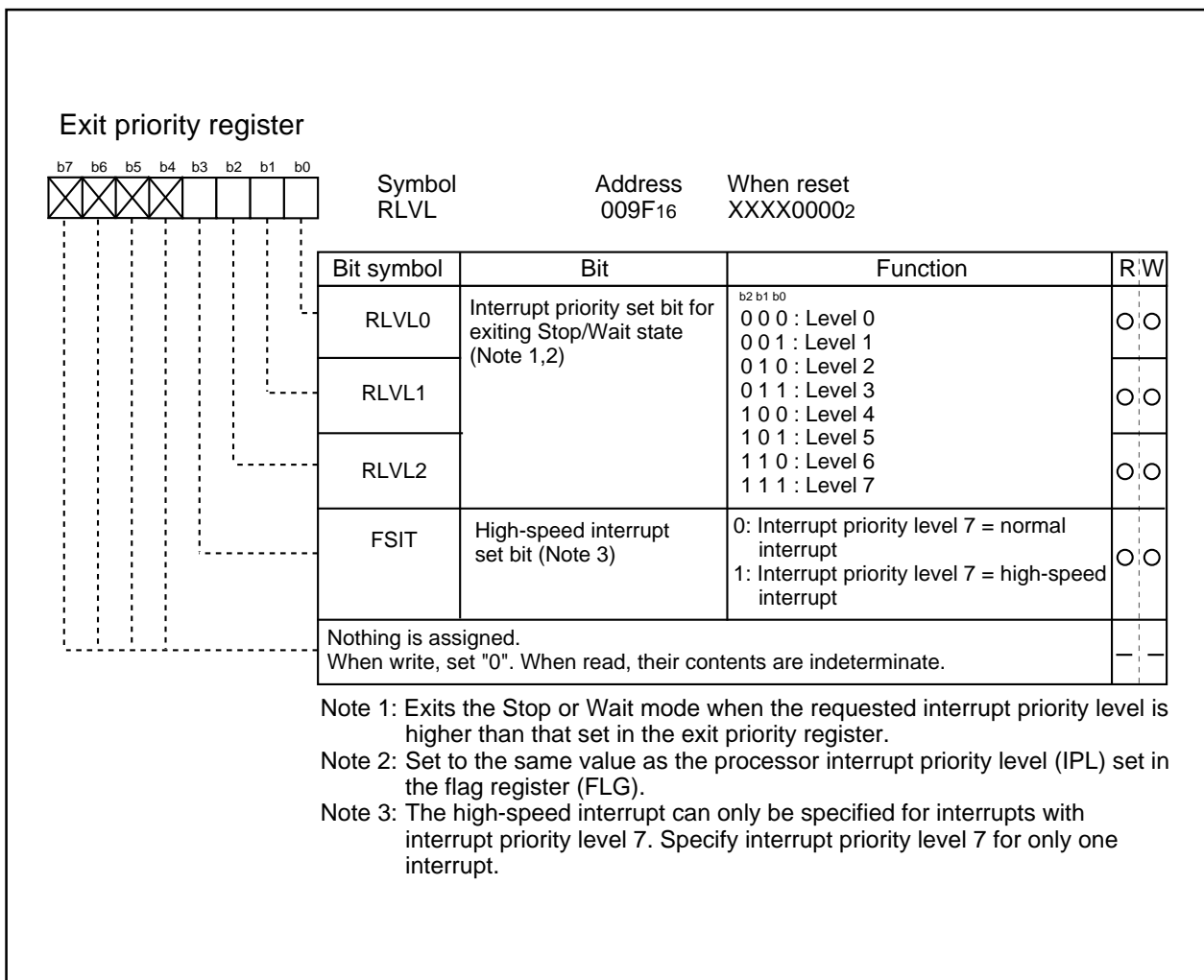


Figure 1.9.4. Exit priority register

**Interrupt Enable Flag (I Flag)**

The interrupt enable flag (I flag) is used to disable/enable maskable interrupts. When this flag is set (= 1), all maskable interrupts are enabled; when the flag is cleared to 0, they are disabled. This flag is automatically cleared to 0 after a reset is cleared.

**Interrupt Request Bit**

This bit is set (= 1) by hardware when an interrupt request is generated. The bit is cleared to 0 by hardware when the interrupt request is acknowledged and jump to the interrupt vector.

This bit can be cleared to 0 (but cannot be set to 1) in software.

**Interrupt Priority Level Select Bit and Processor Interrupt Priority Level (IPL)**

Interrupt priority levels are set by the interrupt priority select bit in an interrupt control register. When an interrupt request is generated, the interrupt priority level of this interrupt is compared with the processor interrupt priority level (IPL). This interrupt is enabled only when its interrupt priority level is greater than the processor interrupt priority level (IPL). This means that you can disable any particular interrupt by setting its interrupt priority level to 0.



## Interrupts

Table 1.9.4 shows how interrupt priority levels are set. Table 1.9.5 shows interrupt enable levels in relation to the processor interrupt priority level (IPL).

The following lists the conditions under which an interrupt request is acknowledged:

- Interrupt enable flag (I flag) = 1
- Interrupt request bit = 1
- Interrupt priority level > Processor interrupt priority level (IPL)

The interrupt enable flag (I flag), interrupt request bit, interrupt priority level select bit, and the processor interrupt priority level (IPL) all are independent of each other, so they do not affect any other bit.

**Table 1.9.4 Interrupt Priority Levels**

Interrupt priority level select bit	Interrupt priority level	Priority order		
b2 0	b1 0	b0 0	Level 0 (interrupt disabled)	——
0	0	1	Level 1	↓ Low        High
0	1	0	Level 2	
0	1	1	Level 3	
1	0	0	Level 4	
1	0	1	Level 5	
1	1	0	Level 6	
1	1	1	Level 7	

**Table 1.9.5 IPL and Interrupt Enable Levels**

Processor interrupt priority level (IPL)	Enabled interrupt priority levels		
IPL <sub>2</sub> 0	IPL <sub>1</sub> 0	IPL <sub>0</sub> 0	Interrupt levels 1 and above are enabled.
0	0	1	Interrupt levels 2 and above are enabled.
0	1	0	Interrupt levels 3 and above are enabled.
0	1	1	Interrupt levels 4 and above are enabled.
1	0	0	Interrupt levels 5 and above are enabled.
1	0	1	Interrupt levels 6 and above are enabled.
1	1	0	Interrupt levels 7 and above are enabled.
1	1	1	All maskable interrupts are disabled.

### Rewrite the interrupt control register

When an instruction to rewrite the interrupt control register is executed but the interrupt is disabled, the interrupt request bit is not set sometimes even if the interrupt request for that register has been generated. This will depend on the instruction. If this creates problems, use the below instructions to change the register.

Instructions : AND, OR, BCLR, BSET

## Interrupts

### Interrupt Sequence

An interrupt sequence — what are performed over a period from the instant an interrupt is accepted to the instant the interrupt routine is executed — is described here.

If an interrupt occurs during execution of an instruction, the processor determines its priority when the execution of the instruction is completed, and transfers control to the interrupt sequence from the next cycle. If an interrupt occurs during execution of either the SCMPU, SIN, SMOVB, SMOVF, SMOVU, SSTR, SOUT or RMPA instruction, the processor temporarily suspends the instruction being executed, and transfers control to the interrupt sequence.

In the interrupt sequence, the processor carries out the following in sequence given:

- (1) CPU gets the interrupt information (the interrupt number and interrupt request level) by reading address  $000000_{16}$  (address  $000002_{16}$  when high-speed interrupt). After this, the related interrupt request bit is "0".
- (2) Saves the content of the flag register (FLG) as it was immediately before the start of interrupt sequence in the temporary register (Note) within the CPU.
- (3) Sets the interrupt enable flag (I flag), the debug flag (D flag), and the stack pointer select flag (U flag) to "0" (the U flag, however does not change if the INT instruction, in software interrupt numbers 32 through 63, is executed)
- (4) Saves the content of the temporary register (Note 1) within the CPU in the stack area. Saves in the flag save register (SVF) in high-speed interrupt.
- (5) Saves the content of the program counter (PC) in the stack area. Saves in the PC save register (SVP) in high-speed interrupt.
- (6) Sets the interrupt priority level of the accepted instruction in the IPL.

After the interrupt sequence is completed, the processor resumes executing instructions from the first address of the interrupt routine.

Note: This register cannot be utilized by the user.

### Interrupt Response Time

'Interrupt response time' is the period between the instant an interrupt occurs and the instant the first instruction within the interrupt routine has been executed. This time comprises the period from the occurrence of an interrupt to the completion of the instruction under execution at that moment (a) and the time required for executing the interrupt sequence (b). Figure 1.9.5 shows the interrupt response time.

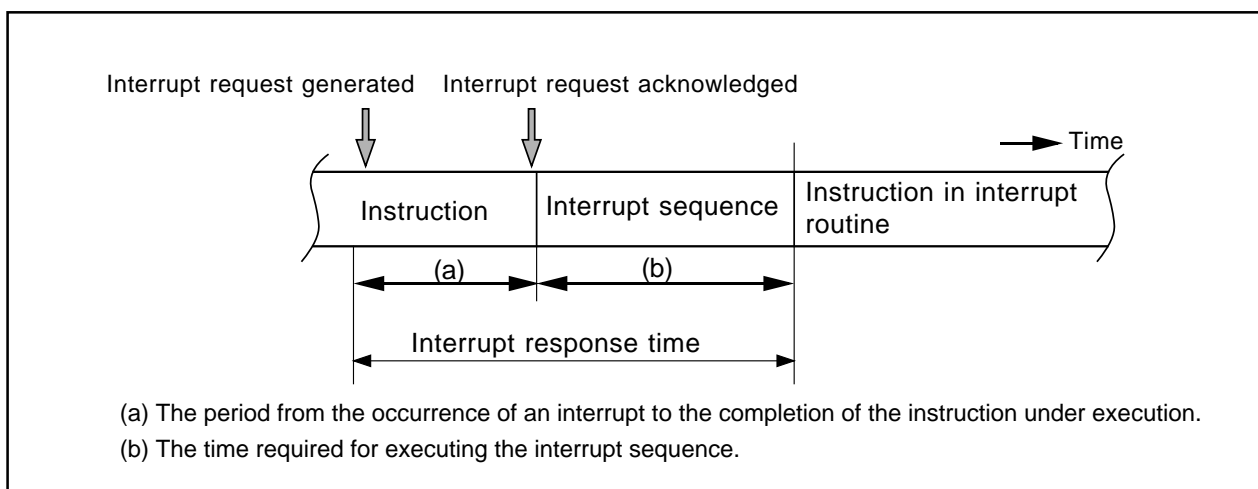


Figure 1.9.5 Interrupt response time

## Interrupts

Time (a) varies with each instruction being executed. The DIVX instruction requires a maximum time that consists of  $24^*$  cycles.

Time (b) is shown in table 1.9.6.

\* It is when the divisor is immediate or register. When the divisor is memory, the following value is added.

- Normal addressing :  $2 + X$
- Index addressing :  $3 + X$
- Indirect addressing :  $5 + X + 2Y$
- Indirect index addressing :  $6 + X + 2Y$

X is number of wait of the divisor area. Y is number of wait of the indirect address stored area. When X and Y are in odd address or in 8 bits bus area, double the value of X and Y.

**Table 1.9.6 Interrupt Sequence Execution Time**

Interrupt	Interrupt vector address	16 bits data bus	8 bits data bus
Peripheral I/O	Even address	14 cycles	16 cycles
	Odd address (Note 1)	16 cycles	16 cycles
INT instruction	Even address	12 cycles	14 cycles
	Odd address (Note 1)	14 cycles	14 cycles
NMI Watchdog timer Undefined instruction Address match	Even address (Note 2)	13 cycles	15 cycles
Overflow	Even address (Note 2)	14 cycles	16 cycles
BRK instruction (Variable vector table)	Even address	17 cycles	19 cycles
	Odd address (Note 1)	19 cycles	19 cycles
Single step BRK2 instruction BRK instruction (Fixed vector table)	Even address (Note 2)	19 cycles	21 cycles
High-speed interrupt (Note 3)	Vector table is internal register	5 cycles	

Note 1: Allocate interrupt vector addresses in even addresses, if possible.

Note 2: The vector table is fixed to even address.

Note 3: The high-speed interrupt is independent of these conditions.

## Interrupts

## Changes of IPL When Interrupt Request Acknowledged

When an interrupt request is acknowledged, the interrupt priority level of the acknowledged interrupt is set to the processor interrupt priority level (IPL).

If an interrupt request is acknowledged that does not have an interrupt priority level, the value shown in Table 1.9.7 is set to the IPL.

**Table 1.9.7 Relationship between Interrupts without Interrupt Priority Levels and IPL**

Interrupt sources without interrupt priority levels	Value that is set to IPL
Watchdog timer, $\overline{\text{NMI}}$	7
Reset	0
Other	Not changed

## Saving Registers

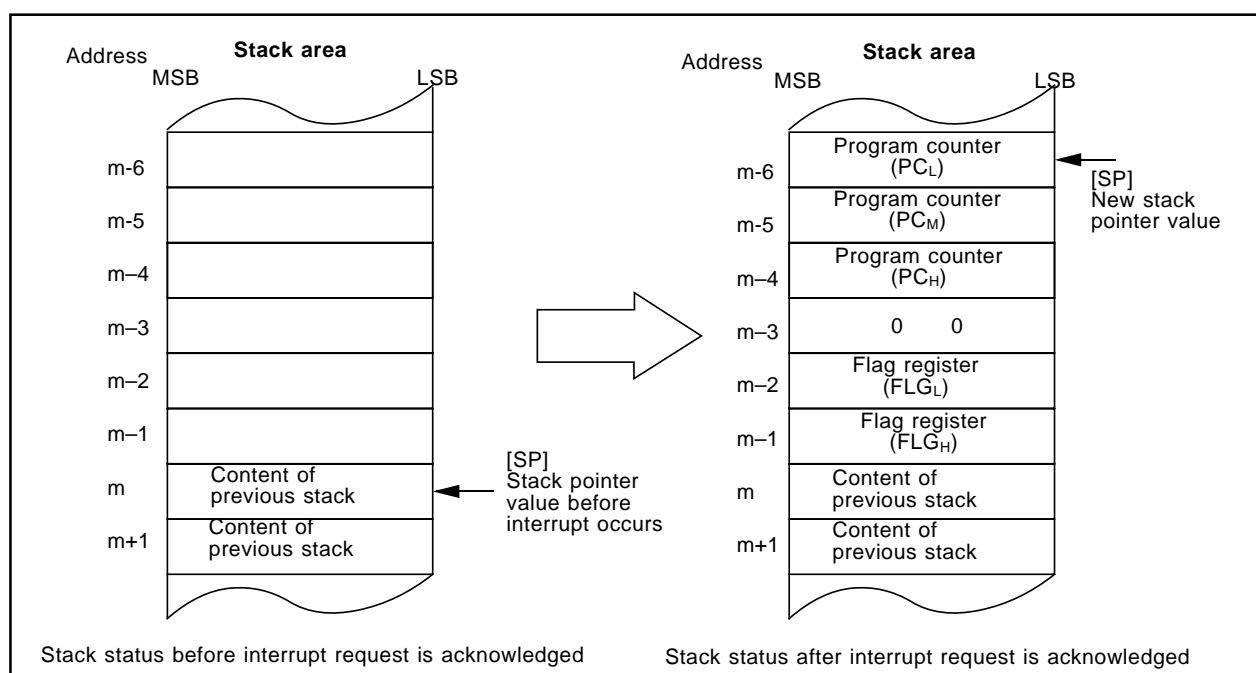
In an interrupt sequence, only the contents of the flag register (FLG) and program counter (PC) are saved to the stack area.

The order in which these contents are saved is as follows: First, the FLG register is saved to the stack area. Next, the 16 high-order bits and 16 low-order bits of the program counter expanded to 32-bit are saved. Figure 1.9.6 shows the stack status before an interrupt request is acknowledged and the stack status after an interrupt request is acknowledged.

In a high-speed interrupt sequence, the contents of the flag register (FLG) is saved to the flag save register (SVF) and program counter (PC) is saved to PC save register (SVP).

If there are any other registers you want to be saved, save them in software at the beginning of the interrupt routine. The PUSHM instruction allows you to save all registers except the stack pointer (SP) by a single instruction.

The execution speed is improved when register bank 1 is used with high speed interrupt register selected by not saving registers to the stack but to the switching register bank. In this case, switch register bank mode for high-speed interrupt routine.



**Figure 1.9.6 Stack status before and after an interrupt request is acknowledged**

## Return from Interrupt Routine

As you execute the REIT instruction at the end of the interrupt routine, the contents of the flag register (FLG) and program counter (PC) that have been saved to the stack area immediately preceding the interrupt sequence are automatically restored. In high-speed interrupt, as you execute the FREIT instruction at the end of the interrupt routine, the contents of the flag register (FLG) and program counter (PC) that have been saved to the save registers immediately preceding the interrupt sequence are automatically restored.

Then control returns to the routine that was under execution before the interrupt request was acknowledged, and processing is resumed from where control left off.

If there are any registers you saved via software in the interrupt routine, be sure to restore them using an instruction (e.g., POPM instruction) before executing the REIT or FREIT instruction.

When switching the register bank before executing REIT and FREIT instruction, switched to the register bank immediately before the interrupt sequence.

## Interrupt Priority

If two or more interrupt requests are sampled active at the same time, whichever interrupt request is acknowledged that has the highest priority.

Maskable interrupts (Peripheral I/O interrupts) can be assigned any desired priority by setting the interrupt priority level select bit accordingly. If some maskable interrupts are assigned the same priority level, the priority between these interrupts is resolved by the priority that is set in hardware.

Certain nonmaskable interrupts such as a reset (reset is given the highest priority) and watchdog timer interrupt have their priority levels set in hardware. Figure 1.9.7 lists the hardware priority levels of these interrupts.

Software interrupts are not subjected to interrupt priority. They always cause control to branch to an interrupt routine whenever the relevant instruction is executed.

## Interrupt Resolution Circuit

Interrupt resolution circuit selects the highest priority interrupt when two or more interrupt requests are sampled active at the same time.

Figure 1.9.8 shows the interrupt resolution circuit.

**Reset >  $\overline{\text{NMI}}$  > Watchdog > Peripheral I/O > Single step > Address match**

Figure 1.9.7. Interrupt priority that is set in hardware

Interrupts

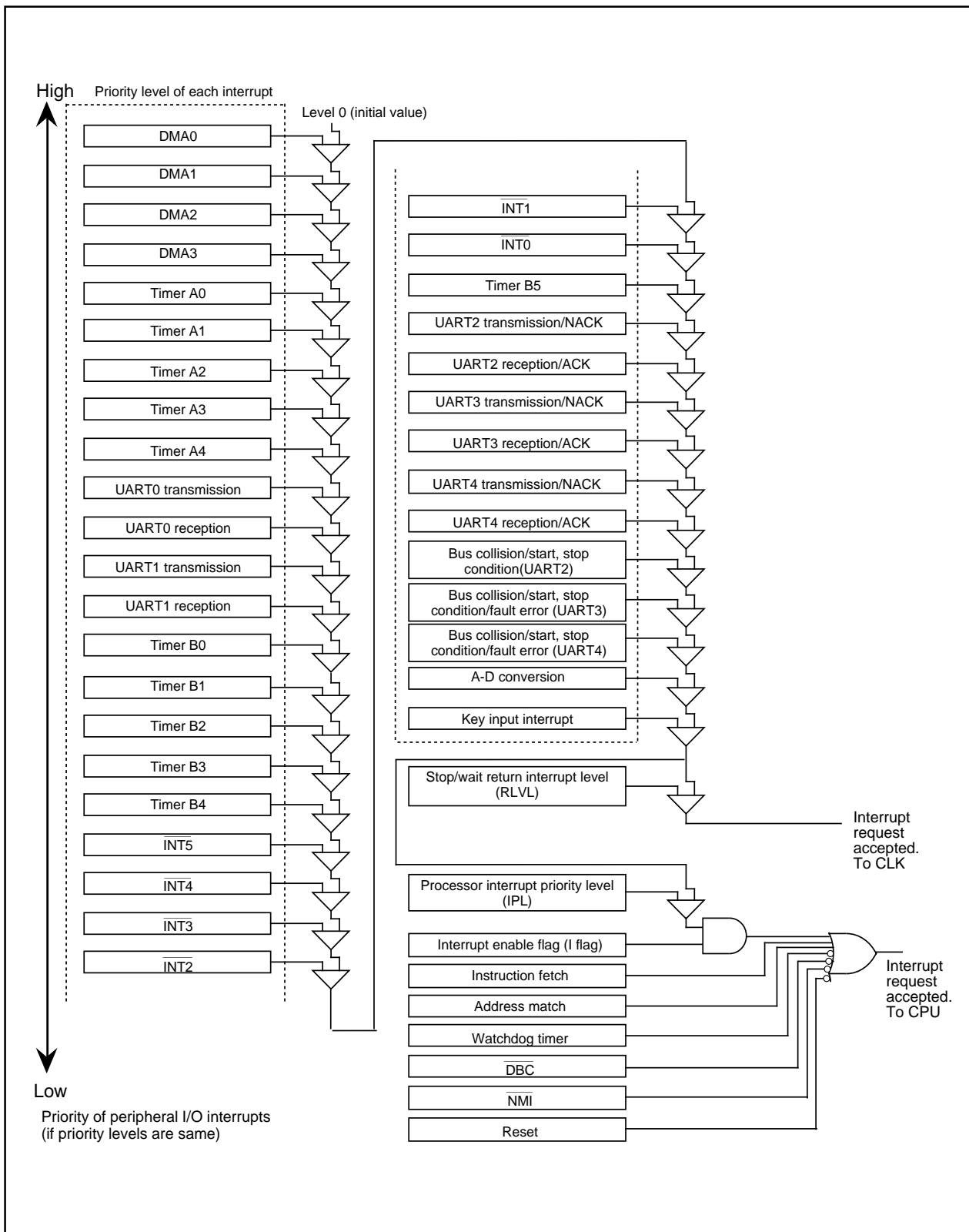


Figure 1.9.8. Interrupt resolution circuit

## Interrupts

### INT Interrupts

$\overline{INT0}$  to  $\overline{INT5}$  are external input interrupts. The level sense/edge sense switching bits of the interrupt control register select the input signal level and edge at which the interrupt can be set to occur on input signal level and input signal edge. The polarity bit selects the polarity.

With the external interrupt input edge sense, the interrupt can be set to occur on both rising and falling edges by setting the  $INT_i$  interrupt polarity switch bit of the interrupt request select register (address 031F<sub>16</sub>) to "1". When you select both edges, set the polarity switch bit of the corresponding interrupt control register to the falling edge ("0").

When you select level sense, the  $INT_i$  interrupt polarity switch bit of the interrupt request select register (address 031F<sub>16</sub>) to "0".

Figure 1.9.9 shows the interrupt request select register.

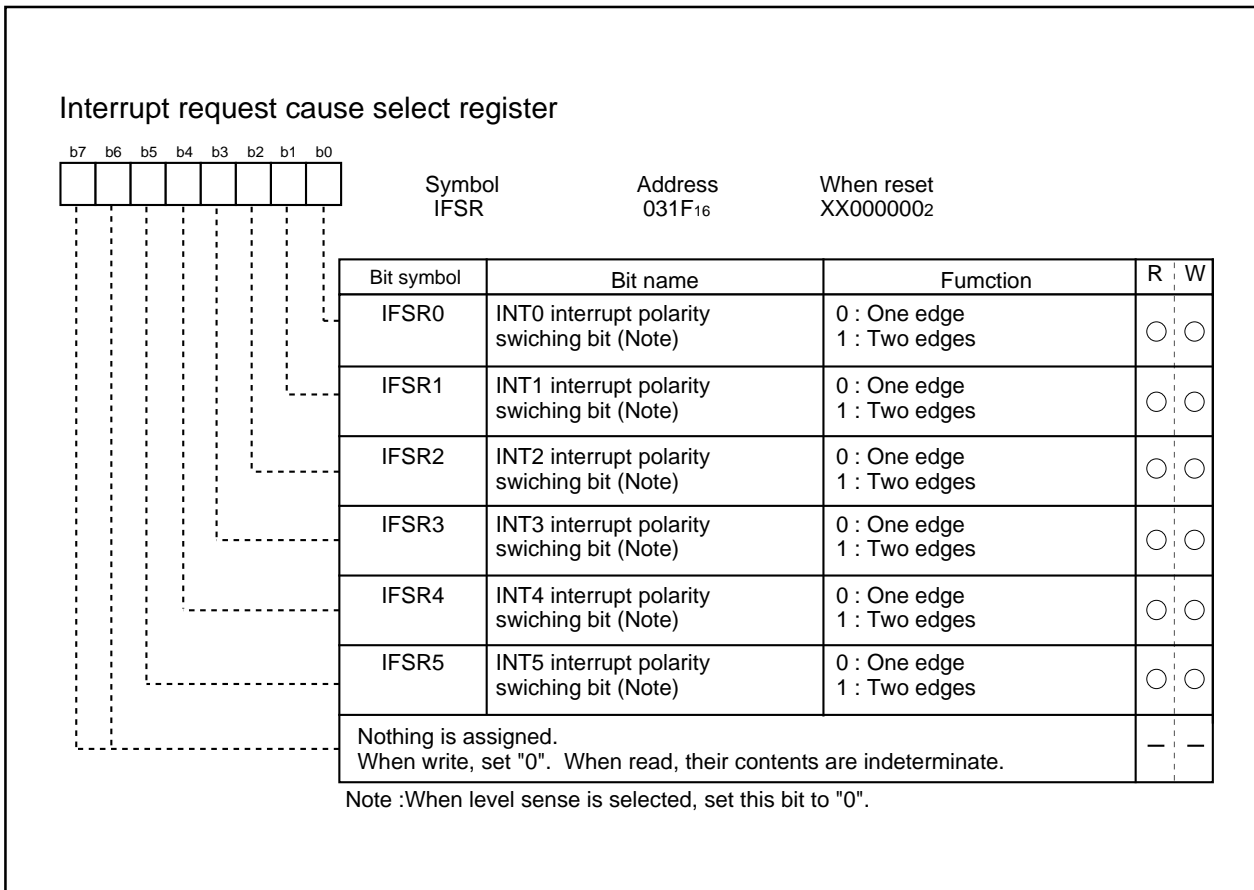


Figure 1.9.9 Interrupt request cause select register

## Interrupts

### $\overline{\text{NMI}}$ Interrupt

An  $\overline{\text{NMI}}$  interrupt is generated when the input to the P85/ $\overline{\text{NMI}}$  pin changes from “H” to “L”. The  $\overline{\text{NMI}}$  interrupt is a non-maskable external interrupt. The pin level can be checked in the port P85 register (bit 5 at address 03C416).

This pin cannot be used as a normal port input.

#### Notes:

When not intending to use the  $\overline{\text{NMI}}$  function, be sure to connect the  $\overline{\text{NMI}}$  pin to Vcc (pulled-up). The  $\overline{\text{NMI}}$  interrupt is non-maskable. Because it cannot be disabled, the pin must be pulled up.

### Key Input Interrupt

If the direction register of any of P104 to P107 is set for input and a falling edge is input to that port, a key input interrupt is generated. A key input interrupt can also be used as a key-on wakeup function for canceling the wait mode or stop mode. However, if you intend to use the key input interrupt, do not use P104 to P107 as A-D input ports. Figure 1.9.10 shows the block diagram of the key input interrupt. Note that if an “L” level is input to any pin that has not been disabled for input, inputs to the other pins are not detected as an interrupt.

Setting the key input interrupt disable bit (bit 7 at address 03AF16) to “1” disables key input interrupts from occurring regardless of the setting in the interrupt control register. When “1” is set in the key input interrupt disable register, there is no input via the port pin even when the direction register is set to input.

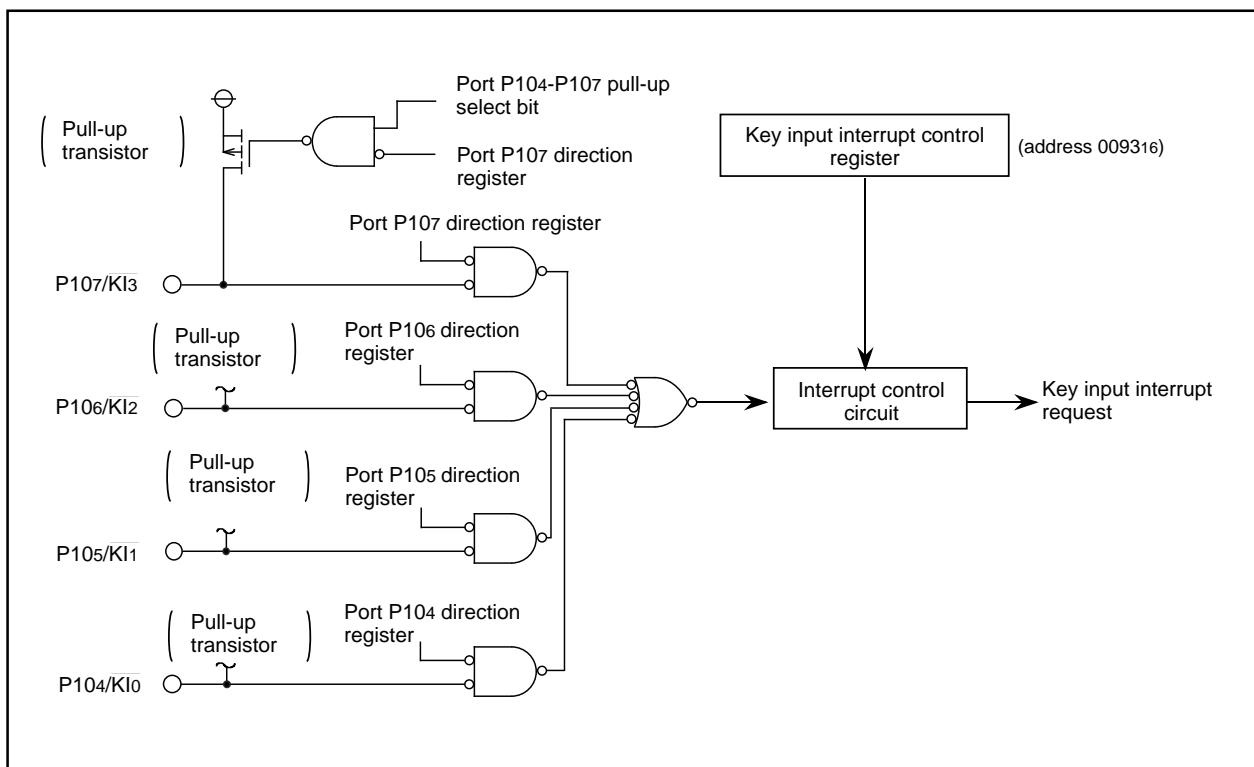


Figure 1.9.10. Block diagram of key input interrupt



## Interrupts

### Address Match Interrupt

An address match interrupt is generated when the address match interrupt address register contents match the program counter value. Four address match interrupts can be set, each of which can be enabled and disabled by an address match interrupt enable bit. Address match interrupts are not affected by the interrupt enable flag (I flag) and processor interrupt priority level (IPL).

Figure 1.9.11 shows the address match interrupt-related registers.

Set the start address of an instruction to the address match interrupt register.

Address match interrupt is not generated when address such as the middle of instruction or table data is set.

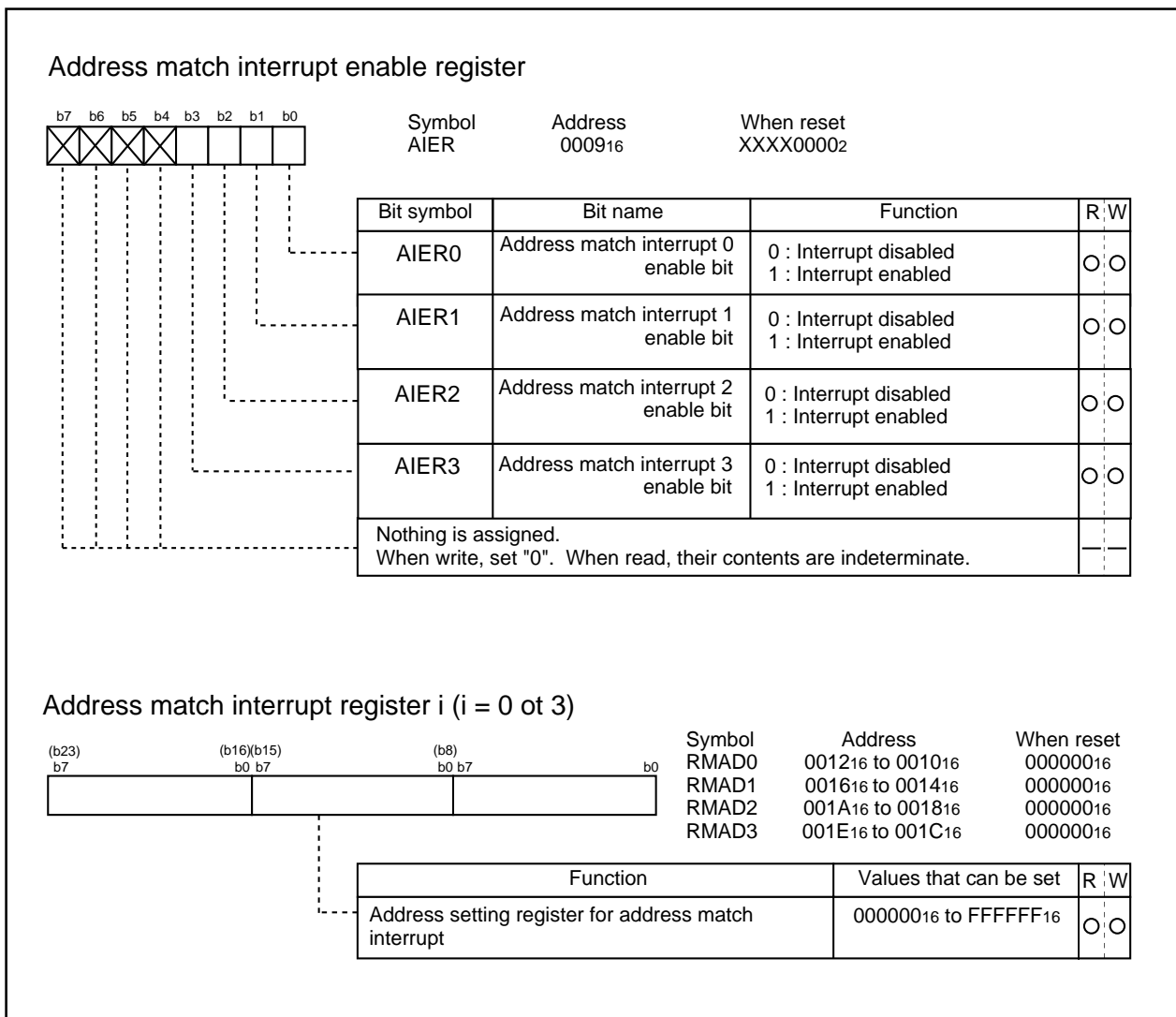


Figure 1.9.11. Address match interrupt-related registers

## Precautions for Interrupts

### (1) Reading addresses 000000<sub>16</sub> and 000002<sub>16</sub>

- When maskable interrupt is occurred, CPU read the interrupt information (the interrupt number and interrupt request level) in the interrupt sequence from address 000000<sub>16</sub>. When high-speed interrupt is occurred, CPU read from address 000002<sub>16</sub>.

The interrupt request bit of the certain interrupt will then be set to "0".

However, reading addresses 000000<sub>16</sub> and 000002<sub>16</sub> by software does not set request bit to "0".

### (2) Setting the stack pointer

- The value of the stack pointer immediately after reset is initialized to 000000<sub>16</sub>. Accepting an interrupt before setting a value in the stack pointer may become a factor of runaway. Be sure to set a value in the stack pointer before accepting an interrupt. When using the  $\overline{\text{NMI}}$  interrupt, initialize the stack point at the beginning of a program. Any interrupt including the  $\overline{\text{NMI}}$  interrupt is generated immediately after executing the first instruction after reset. Set an even address to the stack pointer so that the operating efficiency of accessign memory is increased.

### (3) The $\overline{\text{NMI}}$ interrupt

- As for the  $\overline{\text{NMI}}$  interrupt pin, an interrupt cannot be disabled. Connect it to the Vcc pin via a resistance (pull-up) if unused. Be sure to work on it.
- The  $\overline{\text{NMI}}$  pin also serves as P85, which is exclusively input. Reading the contents of the P8 register allows reading the pin value. Use the reading of this pin only for establishing the pin level at the time when the  $\overline{\text{NMI}}$  interrupt is input.
- Signal of "L" level width more than 1 clock of CPU operation clock (BCLK) is necessary for  $\overline{\text{NMI}}$  pin.

### (4) External interrupt

- Edge sense  
Either an "L" level or an "H" level of at least 250 ns width is necessary for the signal input to pins INT0 to INT5 regardless of the CPU operation clock.
- Level sense  
Either an "L" level or an "H" level of 1 cycle of BCLK + at least 200 ns width is necessary for the signal input to pins INT0 to INT5 regardless of the CPU operation clock. (When  $X_{IN}=20\text{MHz}$  and no division mode, at least 250 ns width is necessary.)
- When the polarity of the INT0 to INT5 pins is changed, the interrupt request bit is sometimes set to "1". After changing the polarity, set the interrupt request bit to "0". Figure 1.9.12 shows the procedure for changing the  $\overline{\text{INT}}$  interrupt generate factor.

### (5) Rewrite the interrupt control register

- When a instruction to rewrite the interrupt control register is executed but the interrupt is disabled, the interrupt request bit is not set sometimes even if the interrupt request for that register has been generated. This will depend on the instruction. If this creates problems, use the below instructions to change the register.

Instructions : AND, OR, BCLR, BSET

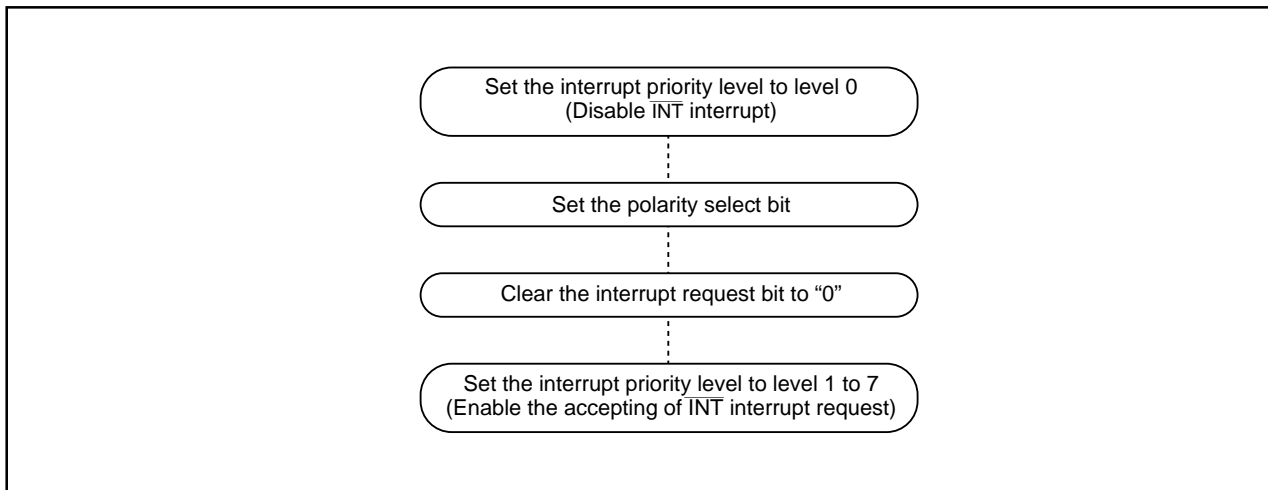


Figure 1.9.12. Switching condition of INT interrupt request

### (6) Address match interrupt

- Do not set the following addresses to the address match interrupt register.
  - The address of the starting instruction in an interrupt routine.
  - Any of the next 7 instructions addresses immediately after an instruction to clear an interrupt request bit of an interrupt control register or an instruction to rewrite an interrupt priority level to a smaller value.
  - Any of the next 3 instructions addresses immediately after an instruction to set the interrupt enable flag (I flag).
  - Any of the next 3 instructions addresses immediately after an instruction to rewrite a processor interrupt priority level (IPL) to a smaller value.

Example 1)

```

Interrupt_A:                ; Interrupt A routine
    pushm R0,R1,R2,R3,A0,A1 ; <---- Do not set address match interrupt to the
    .....                  ; start address of an interrupt instruction
  
```

Example 2)

```

mov.b #0,TA0IC              ;Change TA0 interrupt priority level to a smaller value
nop                          ; 1st instruction
nop                          ; 2nd instruction
nop                          ; 3rd instruction
nop                          ; 4th instruction
nop                          ; 5th instruction
nop                          ; 6th instruction
nop                          ; 7th instruction
  
```

} Do not set address match interrupt during this period

## Interrupts

---

### Example 3)

```
fset    I                ; Set I flag ( interrupt enabled)
nop                    ; 1st instruction
nop                    ; 2nd instruction
nop                    ; 3rd instruction
```

} Do not set address match interrupt during this period

### Example 4)

```
ldipl   #0              ; Rewrite IPL to a smaller value
nop                    ; 1st instruction
nop                    ; 2nd instruction
nop                    ; 3rd instruction
```

} Do not set address match interrupt during this period

- To return from an interrupt to the address set in an address match interrupt register using return instruction (reit or freit)

To rewrite the interrupt control register within the interrupt routine, add the below processing to the end of the routine (immediately before the reit or freit instruction). Also, if multiple interrupts are enabled with other interrupts, add the below processing to the end of the interrupt that enables the multiple interrupts.

If the interrupt control register is being rewritten within the non-maskable interrupt routine, add the below processing to the end of all interrupts.

### Additional process

```
                                ; Execute after the register reset instruction (popm instruction)
fclr    U                      ; Select ISP (Unnecessary if the ISP has been selected)
pushm  R0                      ; Store R0 register
mov.w  6[SP],R0                ; Read FLG on stack (use "stc SVF,R0" when high-speed
                                ;                          interrupt)
ldc    R0,FLG                  ; Set in FLG
popm   R0                      ; Restore R0 register
nop                    ; Dummy
reit                    ; Interrupt completed (use freit when high-speed interrupt)
```

### Example 5)

If rewriting the interrupt control register for interrupt B with the interrupt A routine and enabling multiple interrupts with interrupt C, the above processing is required at the end of the interrupt A and interrupt C routines.

## Interrupts

---

### Interrupt A routine

#### Interrupt\_A:

```

pushm R0,R1,R2,R3,A0,A1 ; Store registers
....
bclr 3,TA0IC ; Rewrite interrupt control register of interrupt B
....
popm R0,R1,R2,R3,A0,A1 ; Restore registers
fclr U ; Select ISP (Unnecessary if the ISP has been selected)
pushm R0 ; Store R0 register
mov.w 6[SP],R0 ; Read FLG on stack
ldc R0,FLG ; Set in FLG
popm R0 ; Restore R0 register
nop ; Dummy
reit ; Interrupt completed

```

### Interrupt C routine

#### Interrupt\_C:

```

pushm R0,R1,R2,R3,A0,A1 ; Store registers
fset I ; Multiple interrupt enabled
....
....
popm R0,R1,R2,R3,A0,A1 ; Restore registers
fclr U ; Select ISP (Unnecessary if the ISP has been selected)
pushm R0 ; Store R0 register
mov.w 6[SP],R0 ; Read FLG on stack
ldc R0,FLG ; Set in FLG
popm R0 ; Restore R0 register
nop ; Dummy
reit ; Interrupt completed

```

## Watchdog Timer

### Watchdog Timer

The watchdog timer has the function of detecting when the program is out of control. The watchdog timer is a 15-bit counter which down-counts the clock derived by dividing the BCLK using the prescaler. Whether a watchdog timer interrupt is generated or reset is selected when an underflow occurs in the watchdog timer. Watchdog timer interrupt is selected when bit 6 of the system control register 0 (address 0008<sub>16</sub>:CM06) is "0" and reset is selected when CM06 is "1". No value other than "1" can be written in CM06. Once when reset is selected (CM06="1"), watchdog timer interrupt cannot be selected by software.

When X<sub>IN</sub> is selected for the BCLK, bit 7 of the watchdog timer control register (address 000F<sub>16</sub>) selects the prescaler division ratio (by 16 or by 128). When X<sub>CIN</sub> is selected as the BCLK, the prescaler is set for division by 2 regardless of bit 7 of the watchdog timer control register (address 000F<sub>16</sub>). Therefore, the watchdog timer cycle can be calculated as follows. However, errors can arise in the watchdog timer cycle due to the prescaler.

When X<sub>IN</sub> is selected in BCLK

$$\text{Watchdog timer cycle} = \frac{\text{Prescaler division ratio (16 or 128)} \times \text{watchdog timer count (32768)}}{\text{BCLK}}$$

When X<sub>CIN</sub> is selected in BCLK

$$\text{Watchdog timer cycle} = \frac{\text{Prescaler division ratio (2)} \times \text{watchdog timer count (32768)}}{\text{BCLK}}$$

For example, when BCLK is 20MHz and the prescaler division ratio is set to 16, the monitor timer cycle is approximately 26.2 ms.

The watchdog timer is initialized by writing to the watchdog timer start register (address 000E<sub>16</sub>) and when a watchdog timer interrupt request is generated. The prescaler is initialized only when the microcomputer is reset. After a reset is cancelled, the watchdog timer and prescaler are both stopped. The count is started by writing to the watchdog timer start register (address 000E<sub>16</sub>). CM06 is initialized only at reset. After reset, watchdog timer interrupt is selected.

The watchdog timer and the prescaler stop in stop mode, wait mode and hold status. After exiting these modes and status, counting starts from the value remained before.

In the stop mode, wait mode and hold state, the watchdog timer and prescaler are stopped. Counting is resumed from the held value when the modes or state are released. Figure 1.10.1 shows the block diagram of the watchdog timer. Figure 1.10.2 shows the watchdog timer-related registers.

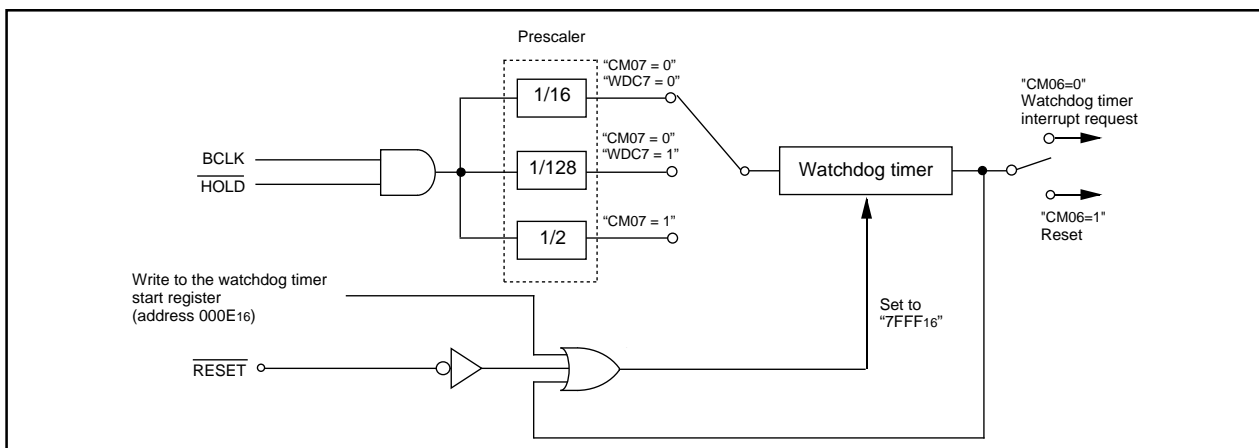


Figure 1.10.1. Block diagram of watchdog timer

## Watchdog Timer

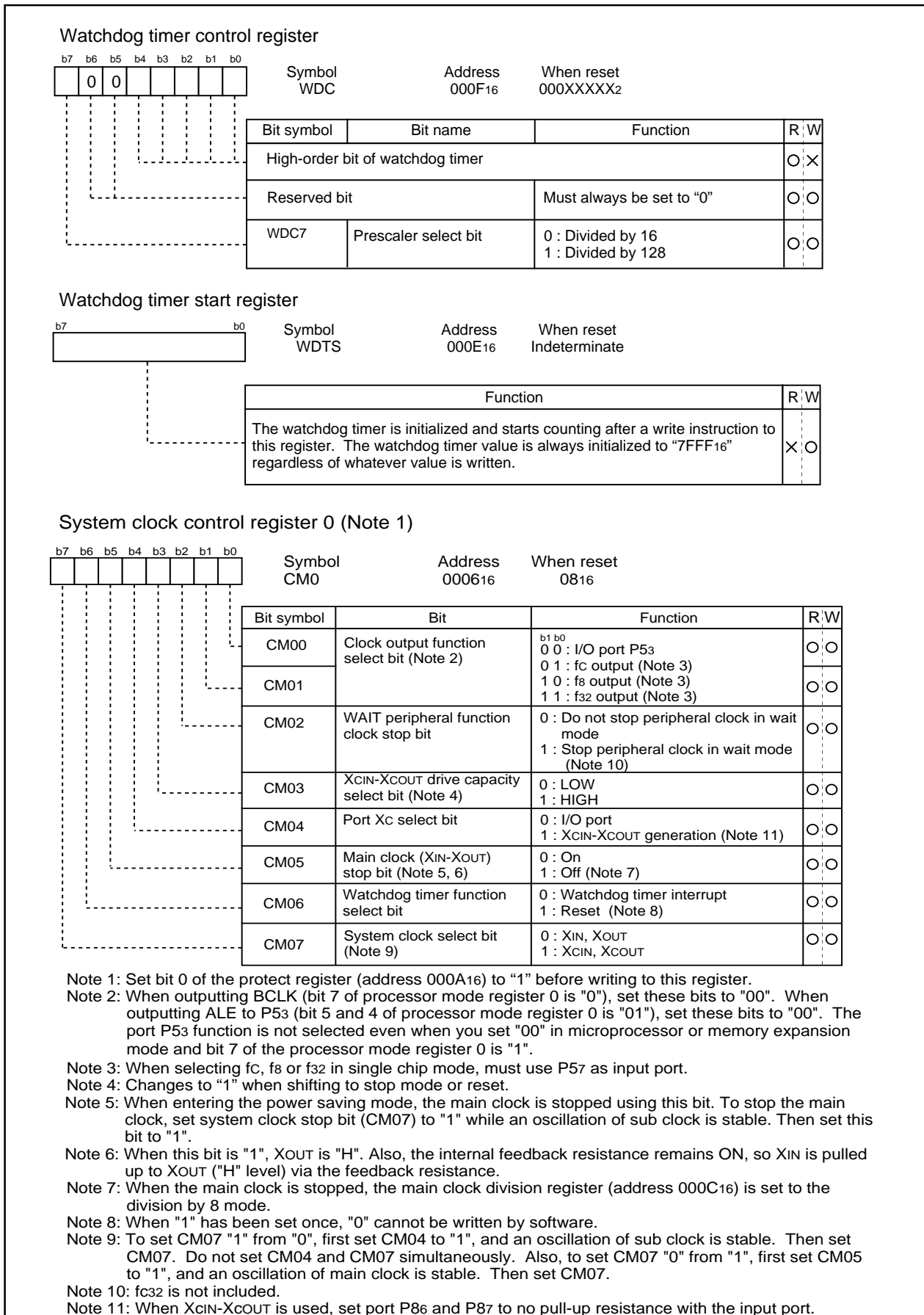


Figure 1.10.2. Watchdog timer control and start registers

## DMAC

### DMAC

This microcomputer has four DMAC (direct memory access controller) channels that allow data to be sent to memory without using the CPU. DMAC is a function that to transmit 1 data of a source address (8 bits / 16 bits) to a destination address when transmission request occurs. When using three or more DMAC channels, the register bank 1 register and high-speed interrupt register are used as DMAC registers. If you are using three or more DMAC channels, you cannot, therefore, use high-speed interrupts. The CPU and DMAC use the same data bus, but the DMAC has a higher bus access privilege than the CPU, and because of the use of cycle-stealing, operations are performed at high-speed from the occurrence of a transfer request until one word (16 bits) or 1 byte (8 bits) of data have been sent. Figure 1.11.1 shows the mapping of registers used by the DMAC. Table 1.11.1 shows DMAC specifications. Figures 1.11.2 to 1.11.5 show the structures of the registers used.

As the registers shown in Figure 1.11.1 is allocated in CPU, use LDC instruction when writing. When writing to DCT2, DCT3, DRC2, DRC3, DMA2 and DMA3, set register bank select flag (B flag) to "1" and use MOV instruction to set R0 to R3, A0 and A1 registers. When writing to DSA2 and DSA3, set register bank select flag (B flag) to "1" and use LDC instruction to set SB and FB registers.

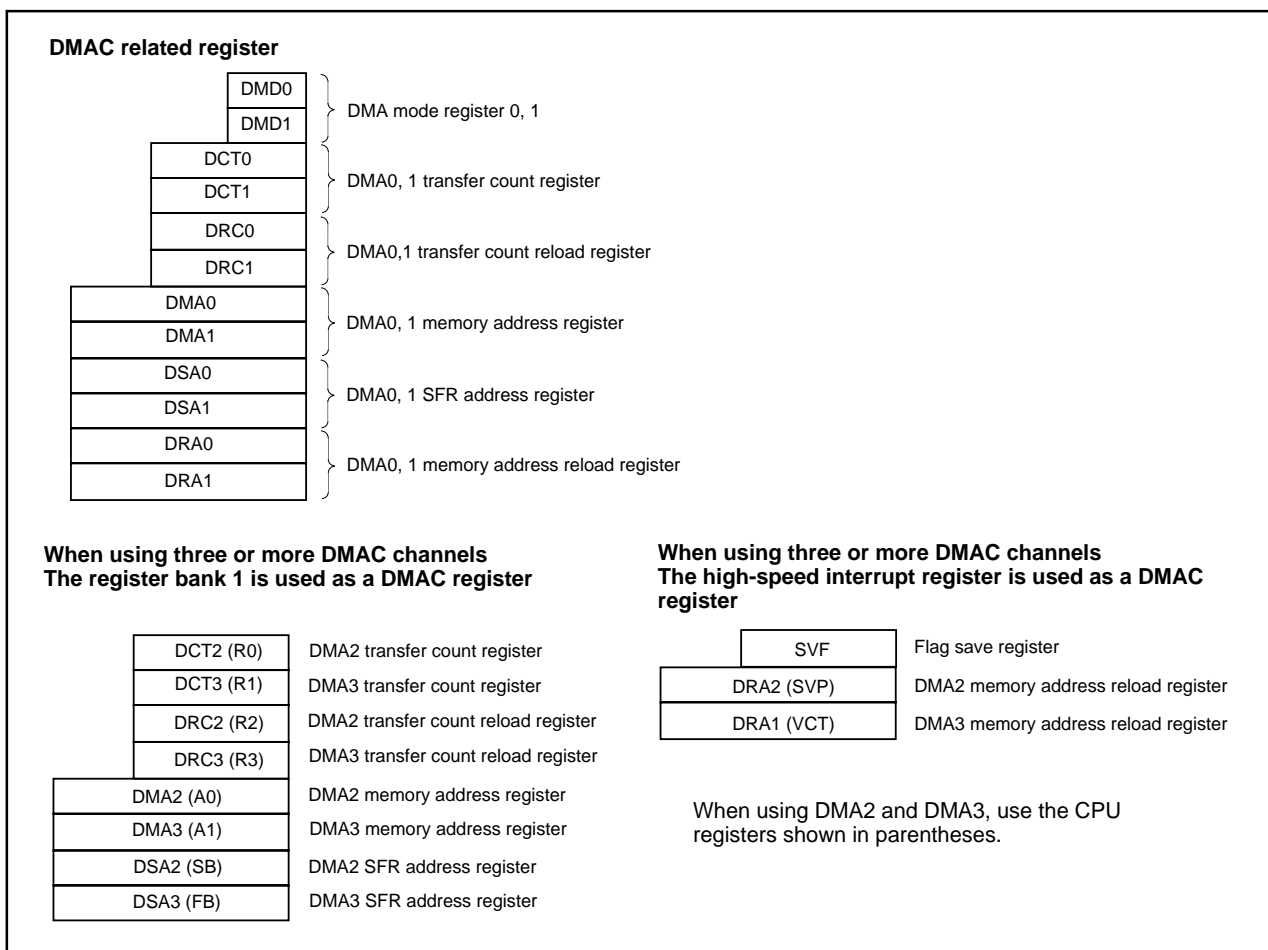


Figure 1.11.1. Register map using DMAC

In addition to writing to the software DMA request bit to start DMAC transfer, the interrupt request signals output from the functions specified in the DMA request factor select bits are also used. However, in contrast to the interrupt requests, repeated DMA requests can be received, regardless of the interrupt flag. (Note, however, that the number of actual transfers may not match the number of transfer requests if the DMA request cycle is shorter than the DMR transfer cycle. For details, see the description of the DMAC request bit.)



**Table 1.11.1. DMAC specifications**

Item	Specification
No. of channels	4 (cycle steal method)
Transfer memory space	<ul style="list-style-type: none"> <li>From any address in the 16 Mbytes space to a fixed address (16 Mbytes space)</li> <li>From a fixed address (16 Mbytes space) to any address in the 16 Mbytes space</li> </ul>
Maximum No. of bytes transferred	128 Kbytes (with 16-bit transfers) or 64 Kbytes (with 8-bit transfers)
DMA request factors (Note)	Falling edge of $\overline{INT0}$ to $\overline{INT3}$ or both edge Timer A0 to timer A4 interrupt requests Timer B0 to timer B5 interrupt requests UART0 to UART4 transmission and reception interrupt requests A-D conversion interrupt requests Software triggers
Channel priority	DMA0 > DMA1 > DMA2 > DMA3 (DMA0 is the first priority)
Transfer unit	8 bits or 16 bits
Transfer address direction	forward/fixed (forward direction cannot be specified for both source and destination simultaneously)
Transfer mode	<ul style="list-style-type: none"> <li>Single transfer Transfer ends when the transfer count register is "0000<sub>16</sub>".</li> <li>Repeat transfer When the transfer counter is "0000<sub>16</sub>", the value in the transfer counter reload register is reloaded into the transfer counter and the DMA transfer is continued</li> </ul>
DMA interrupt request generation timing	When the transfer counter register changes from "0001 <sub>16</sub> " to "0000 <sub>16</sub> ".
DMA startup	<ul style="list-style-type: none"> <li>Single transfer Transfer starts when DMA transfer count register is more than "0001<sub>16</sub>" and the DMA is requested after "012" is written to the channel i transfer mode select bits</li> <li>Repeat transfer Transfer starts when the DMA is requested after "112" is written to the channel i transfer mode select bits</li> </ul>
DMA shutdown	<ul style="list-style-type: none"> <li>Single transfer When "002" is written to the channel i transfer mode select bits and DMA transfer count register becomes "0000<sub>16</sub>" by DMA transfer or write</li> <li>Repeat transfer When "002" is written to the channel i transfer mode select bits</li> </ul>
Reload timing	When the transfer counter register changes from "0001 <sub>16</sub> " to "0000 <sub>16</sub> " in repeat transfer mode.
Reading / writing the register	Registers are always read/write enabled.
Number of DMA transfer cycles	Between SFR and internal RAM : 3 cycles Between external I/O and external memory : minimum 3 cycles

Note: DMA transfer is not effective to any interrupt.

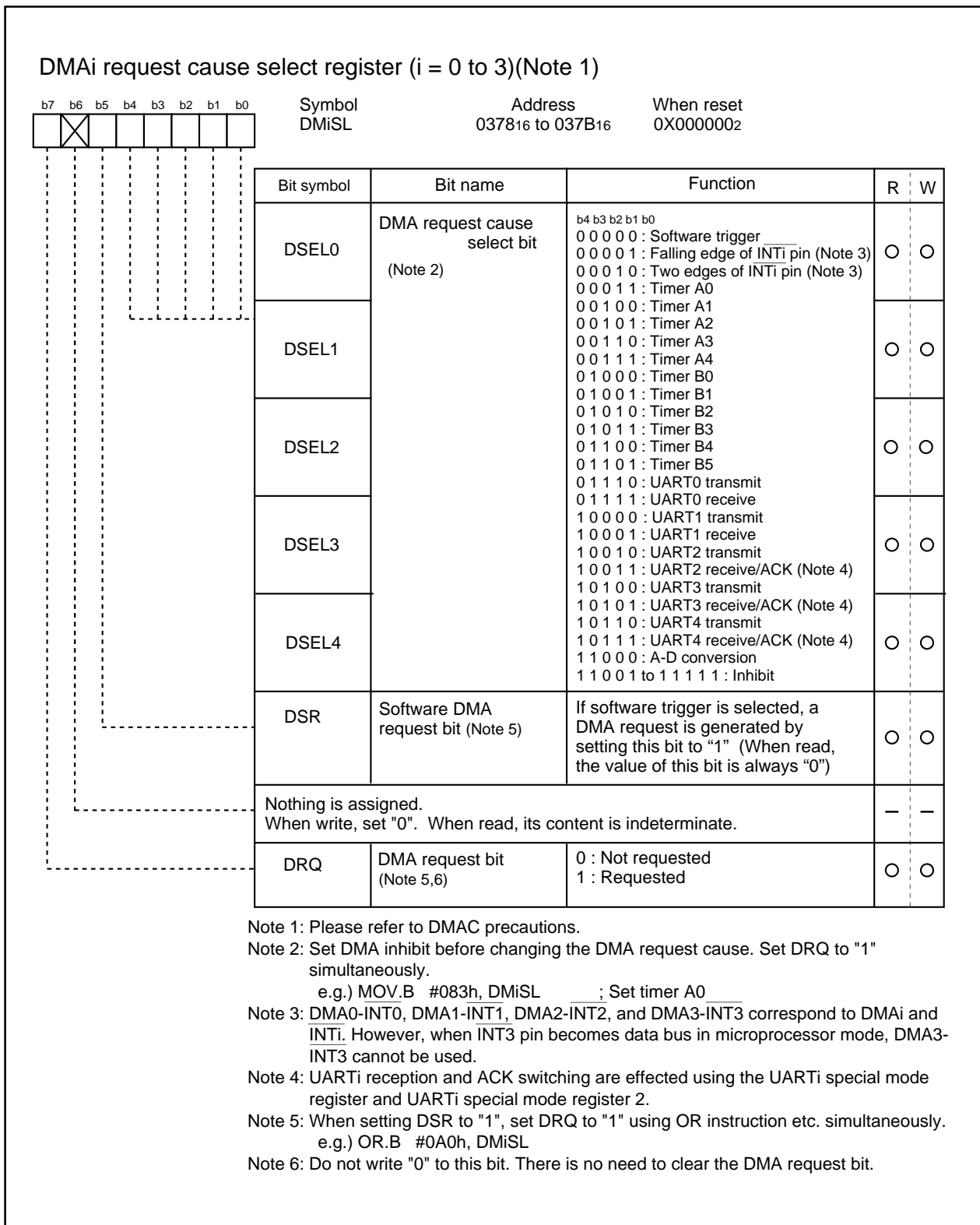


Figure 1.11.2. DMAC register (1)

DMAC

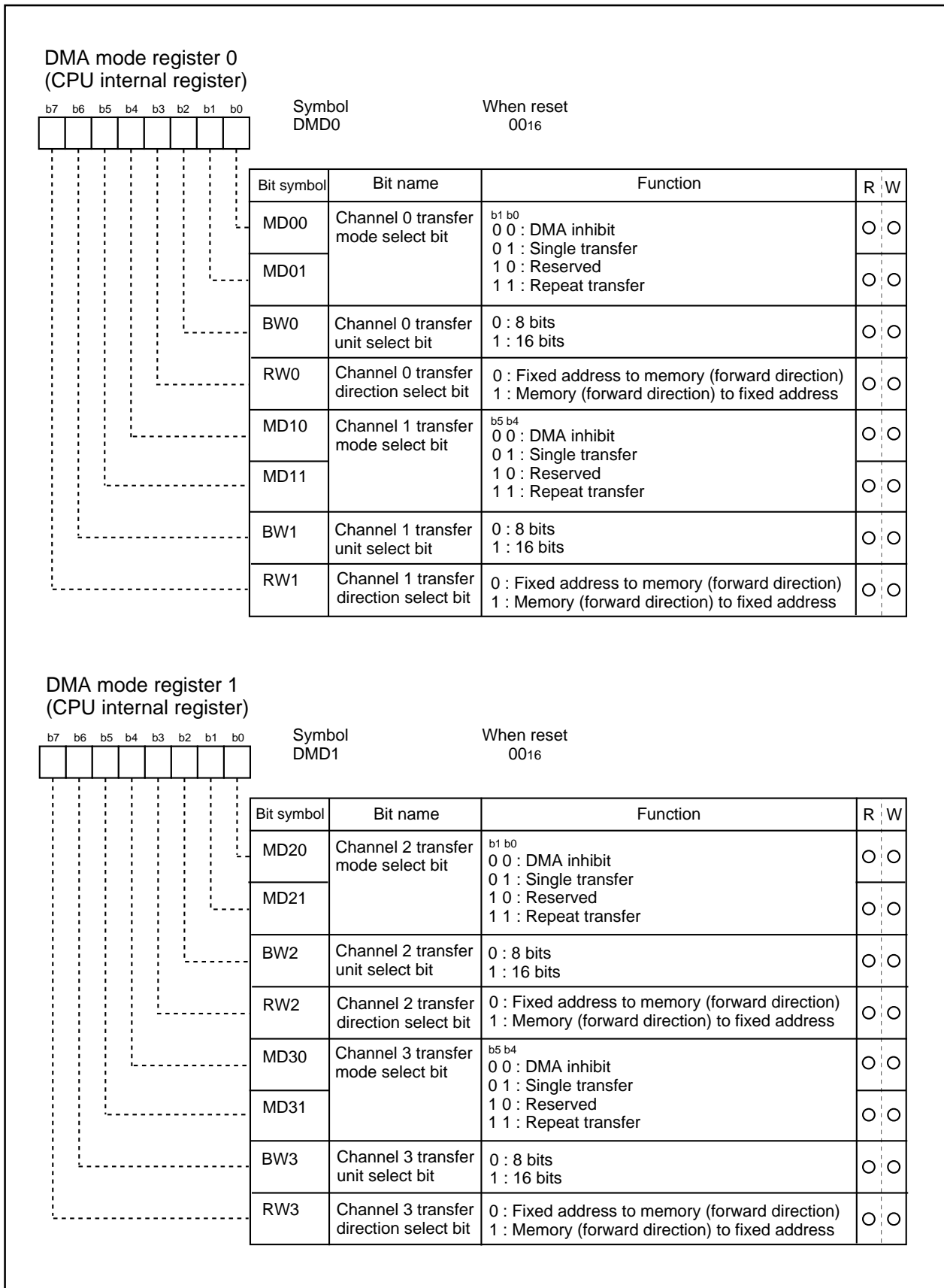


Figure 1.11.3. DMAC register (2)

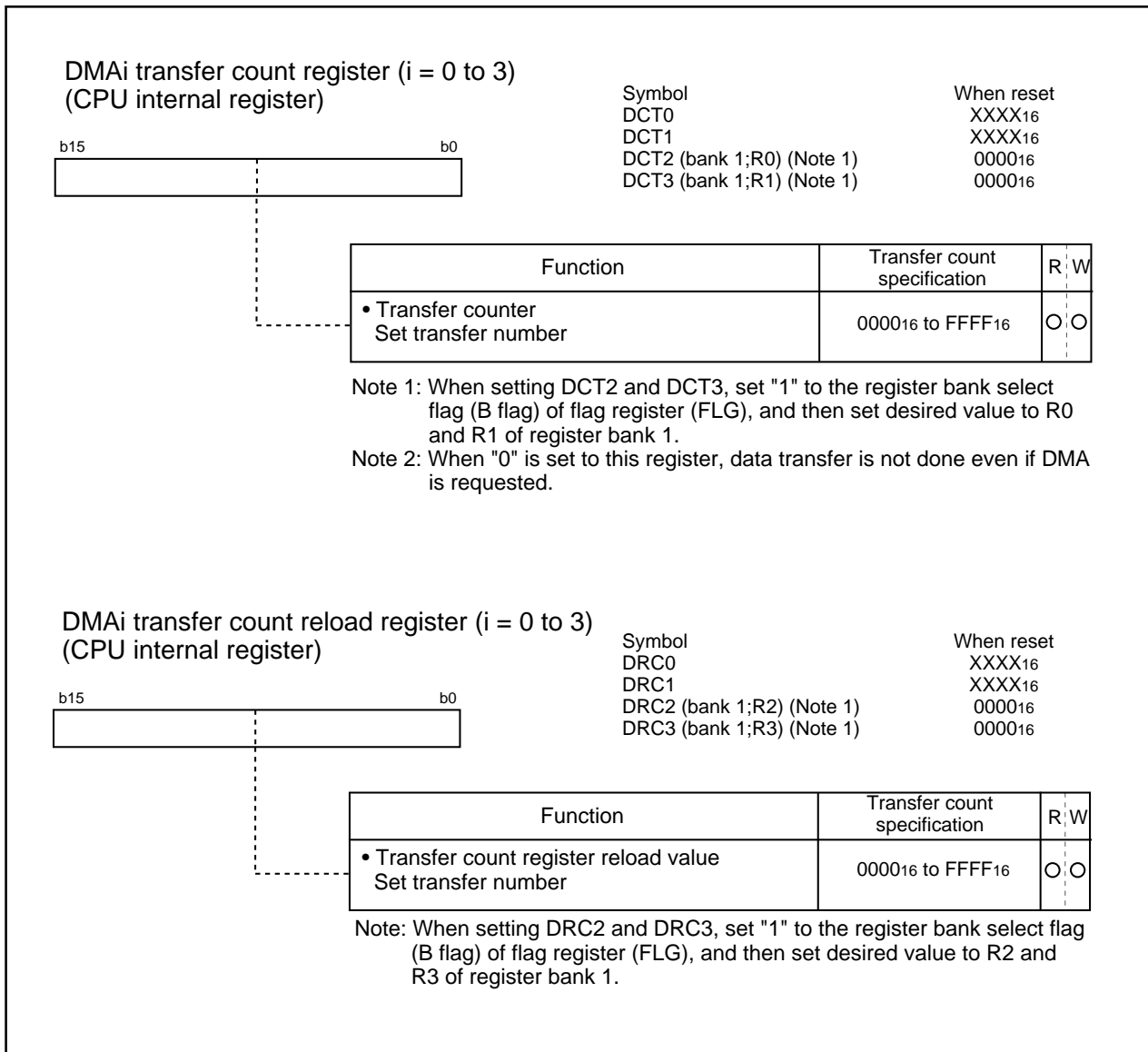


Figure 1.11.4. DMAC register (3)

DMAC

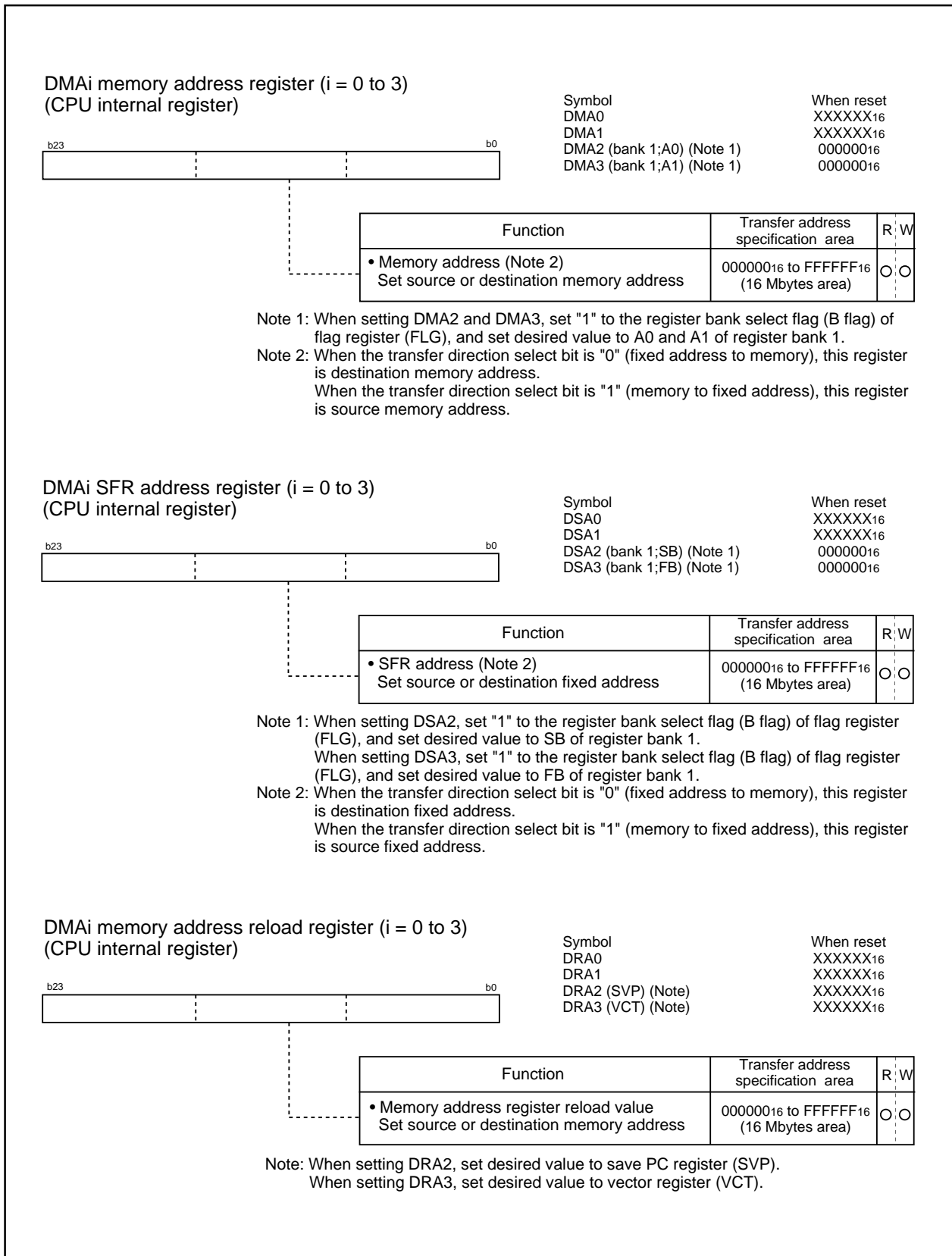


Figure 1.11.5. DMAC register (4)

## (1) Transfer cycle

The transfer cycle consists of the bus cycle in which data is read from memory or from the SFR area (source read) and the bus cycle in which the data is written to memory or to the SFR area (destination write). The number of read and write bus cycles depends on the source and destination addresses. In memory expansion mode and microprocessor mode, the number of read and write bus cycles also depends on the level of the BYTE pin. Also, the bus cycle itself is longer when software waits are inserted.

### (a) Effect of source and destination addresses

When 16-bit data is transferred on a 16-bit data bus, and the source and destination both start at odd addresses, there are one more source read cycle and destination write cycle than when the source and destination both start at even addresses.

### (b) Effect of external data bus width control register

When in memory expansion mode or microprocessor mode, the transfer cycle changes according to the data bus width at the source and destination.

1. When transferring 16 bits of data and the data bus width at the source and at the destination is 8 bits (data bus width bit = "0"), there are two 8-bit data transfers. Therefore, two bus cycles are required for reading and two cycles for writing.
2. When transferring 16 bits of data and the data bus width at the source is 8 bits (data bus width bit = "0") and the data bus width at the destination is 16 bits (data bus width bit = "1"), the data is read in two 8-bit blocks and written as 16-bit data. Therefore, two bus cycles are required for reading and one cycle for writing.
3. When transferring 16 bits of data and the data bus width at the source is 16 bits (data bus width bit = "1") and the data bus width at the destination is 8 bits (data bus width bit = "0"), 16 bits of data are read and written as two 8-bit blocks. Therefore, one bus cycle is required for reading and two cycles for writing.

### (c) Effect of software wait

When the SFR area or a memory area with a software wait is accessed, the number of cycles is increased for the wait by 1 bus cycle. The length of the cycle is determined by BCLK.

Figure 1.11.6 shows the example of the transfer cycles for a source read. Figure 1.11.6 shows the destination is external area, the destination write cycle is shown as two cycle (one bus cycle) and the source read cycles for the different conditions. In reality, the destination write cycle is subject to the same conditions as the source read cycle, with the transfer cycle changing accordingly. When calculating the transfer cycle, remember to apply the respective conditions to both the destination write cycle and the source read cycle. For example (2) in Figure 1.11.6, if data is being transferred in 16-bit units on an 8-bit bus, two bus cycles are required for both the source read cycle and the destination write cycle.

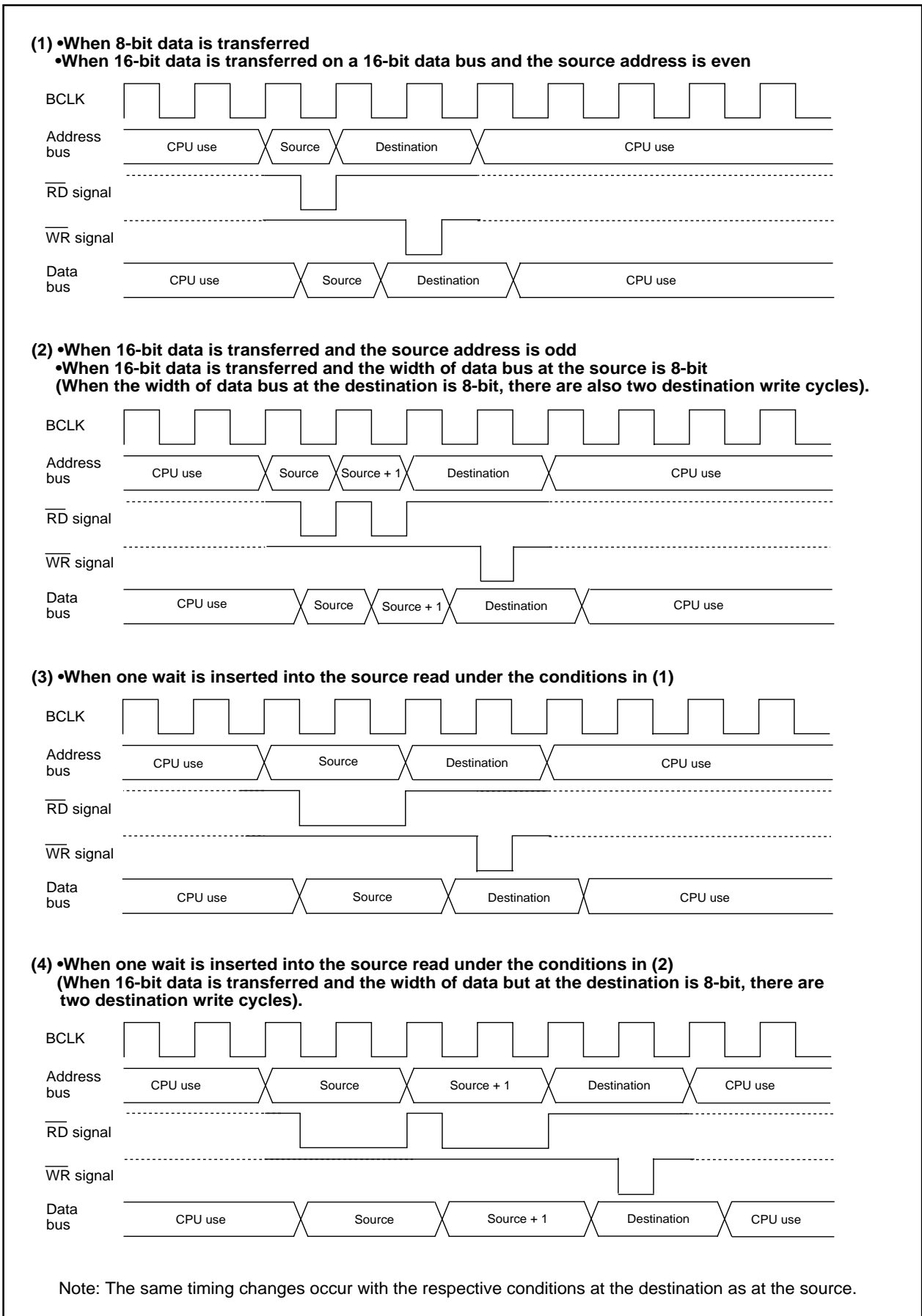


Figure 1.11.6. Example of the transfer cycles for a source read

## (2) DMAC transfer cycles

Any combination of even or odd transfer read and write addresses is possible. Table 1.11.2 shows the number of DMAC transfer cycles.

The number of DMAC transfer cycles can be calculated as follows:

$$\text{No. of transfer cycles per transfer unit} = \text{No. of read cycles} \times j + \text{No. of write cycles} \times k$$

**Table 1.11.2. No. of DMAC transfer cycles**

Transfer unit	Bus width	Access address	Single-chip mode		Memory expansion mode Microprocessor mode	
			No. of read cycles	No. of write cycles	No. of read cycles	No. of write cycles
8-bit transfers (BWi = "0")	16-bit (DSi = "1")	Even	1	1	1	1
		Odd	1	1	1	1
	8-bit (DSi = "0")	Even	—	—	1	1
		Odd	—	—	1	1
16-bit transfers (BWi = "1")	16-bit (DSi = "1")	Even	1	1	1	1
		Odd	2	2	2	2
	8-bit (DSi = "0")	Even	—	—	2	2
		Odd	—	—	2	2

### Coefficient j, k

Internal Memory			External Memory					
Internal ROM/RAM		SFR area	Separate bus				Multiplex bus	
No wait	With wait		No wait	One wait	Two waits	Three waits	Two waits	Three waits
j=1	j=2	j=2	j=1	j=2	j=3	j=4	j=3	j=4
k=1	k=2	k=2	k=2	k=2	k=3	k=4	k=3	k=4

## DMA Request Bit

The DMAC can issue DMA requests using preselected DMA request factors for each channel as triggers.

The DMA transfer request factors include the reception of DMA request signals from the internal peripheral functions, software DMA factors generated by the program, and external factors using input from external interrupt signals.

See the description of the DMA<sub>i</sub> factor selection register for details of how to select DMA request factors. DMA requests are received as DMA requests when the DMA<sub>i</sub> request bit is set to "1" and the channel *i* transfer mode select bits are "01" or "11". Therefore, even if the DMA<sub>i</sub> request bit is "1", no DMA request is received if the channel *i* transfer mode select bit is "00". In this case, DMA<sub>i</sub> request bit is cleared. Because the channel *i* transfer mode select bits default to "00" after a reset, remember to set the channel *i* transfer mode select bit for the channel to be activated after setting the DMAC related registers. This enables receipt of the DMA requests for that channel, and DMA transfers are then performed when the DMA<sub>i</sub> request bit is set.

The following describes when the DMA<sub>i</sub> request bit is set and cleared.



**(1) Internal factors**

The DMA<sub>i</sub> request flag is set to "1" in response to internal factors at the same time as the interrupt request bit of the interrupt control register for each factor is set. This is because, except for software trigger DMA factors, they use the interrupt request signals output by each function.

The DMA<sub>i</sub> request bit is cleared to "0" when the DMA transfer starts or the DMA transfer is in disable state (channel *i* transfer mode select bits are "00" and the DMA<sub>i</sub> transfer count register is "0").

**(2) External factors**

These are DMA request factors that are generated by the input edge from the  $\overline{INT}_i$  pin (where *i* indicates the DMAC channel). When the  $\overline{INT}_i$  pin is selected by the DMA<sub>i</sub> request factor select bit as an external factor, the inputs from these pins become the DMA request signals.

When an external factor is selected, the DMA<sub>i</sub> request bit is set, according to the function specified in the DMA request factor select bit, on either the falling edge of the signal input via the  $\overline{INT}_i$  pins, or both edges. When an external factor is selected, the DMA<sub>i</sub> request bit is cleared, in the same way as the DMA<sub>i</sub> request bit is cleared for internal factors, when the DMA transfer starts or the DMA transfer is in disable state.

**(3) Relationship between external factor request input and DMA<sub>i</sub> request flag, and DMA transfer timing**

When the request inputs to DMA<sub>i</sub> occur in the same sampling cycle (between the falling edge of BCLK and the next falling edge), the DMA<sub>i</sub> request bits are set simultaneously, but if the DMA<sub>i</sub> enable bits are all set, DMA0 takes priority and the transfer starts. When one transfer unit is complete, the bus privilege is returned to the CPU. When the CPU has completed one bus access, DMA1 transfer starts, and, when one transfer unit is complete, the privilege is again returned to the CPU.

The priority is as follows: DMA0 > DMA1 > DMA2 > DMA3.

Figure 1.11.7. DMA transfer example by external factors shows what happens when DMA0 and DMA1 requests occur in the same sampling cycle.

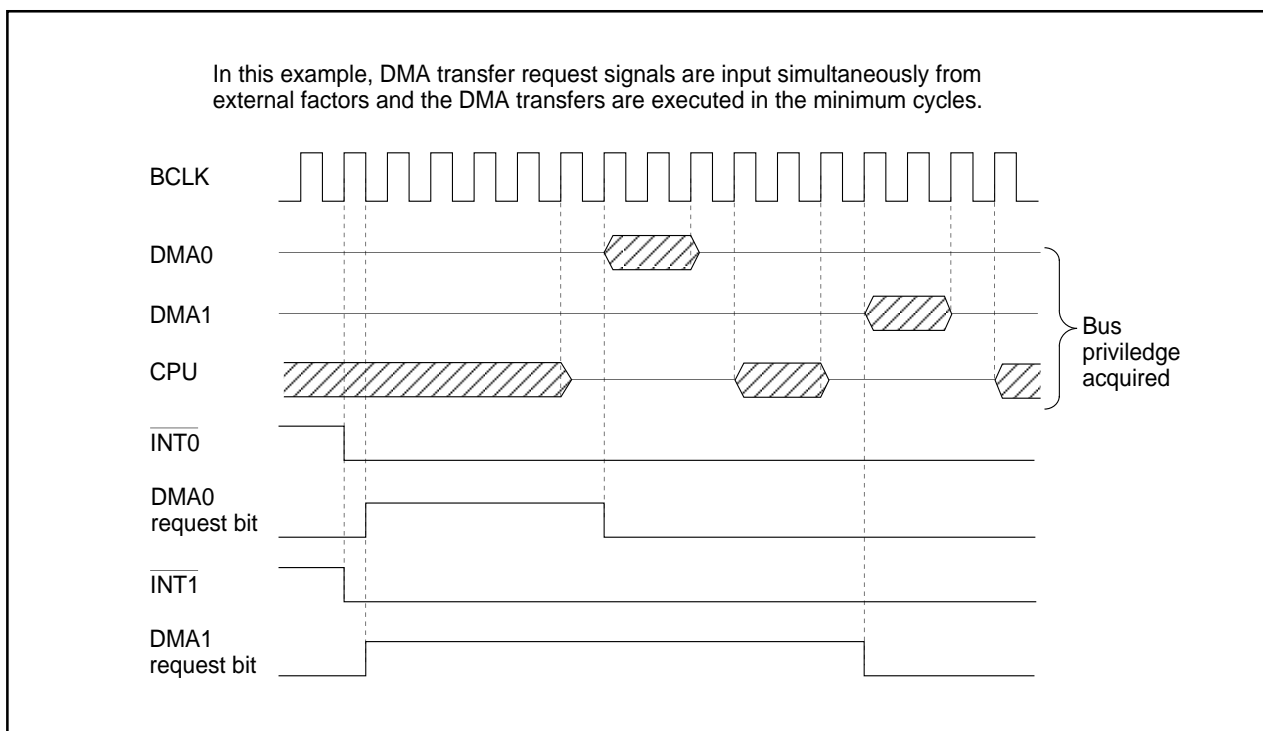


Figure 1.11.7. DMA transfer example by external factors

## Precautions for DMAC

- (1) Do not clear the DMA request bit of the DMAi request cause select register.

In M16C/80, when a DMA request is generated while the channel is disabled (Note), the DMA transfer is not executed and the DMA request bit is cleared automatically.

Note :The DMA is disabled or the transfer count register is "0".

- (2) When DMA transfer is done by a software trigger, set DSR and DRQ of the DMAi request cause select register to "1" simultaneously using the OR instruction.

e.g.) OR.B #0A0h, DMiSL ; DMiSL is DMAi request cause select register

- (3) When changing the DMAi request cause select bit of the DMAi request cause select register, set "1" to the DMA request bit, simultaneously. In this case, set the corresponding DMA channel to disabled before changing the DMAi request cause select bit. At least 2 instructions are needed from the instruction to write to the DMAi request cause select register to enable DMA.

Example) When DMA request cause is changed to timer A0 and using DMA0 in single transfer after

DMA initial setting

```

push.w   R0                ; Store R0 register
stc      DMD0, R0          ; Read DMA mode register 0
and.b    #11111100b, R0L    ; Clear DMA0 transfer mode select bit to "00"
ldc      R0, DMD0          ; DMA0 disabled
mov.b    #10000011b, DM0SL ; Select timer A0
                                     ; (Write "1" to DMA request bit simultaneously)
mov.b    R0L, R0L          ; Dummy cycle
or.b     #00000001b, R0L    ; Set DMA0 single transfer } At least 2 instructions are
                                     ; needed until DMA enabled.
ldc      R0, DMD0          ; DMA0 enabled
pop.w    R0                ; Restore R0 register

```

Timer

Timer

There are eleven 16-bit timers. These timers can be classified by function into timers A (five) and timers B (six). All these timers function independently. Figures 1.12.1 and 1.12.2 show the block diagram of timers.

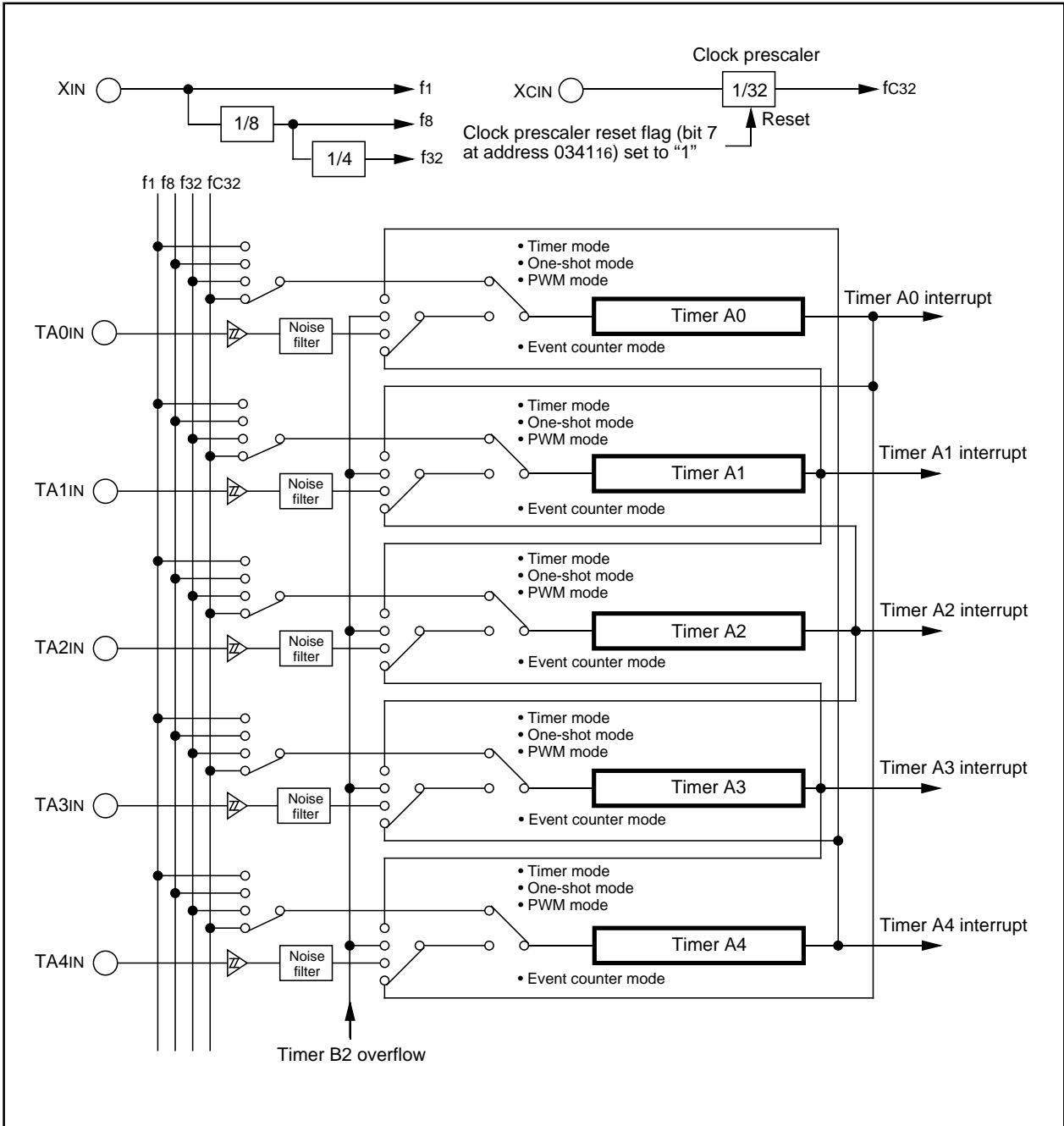


Figure 1.12.1. Timer A block diagram

Timer

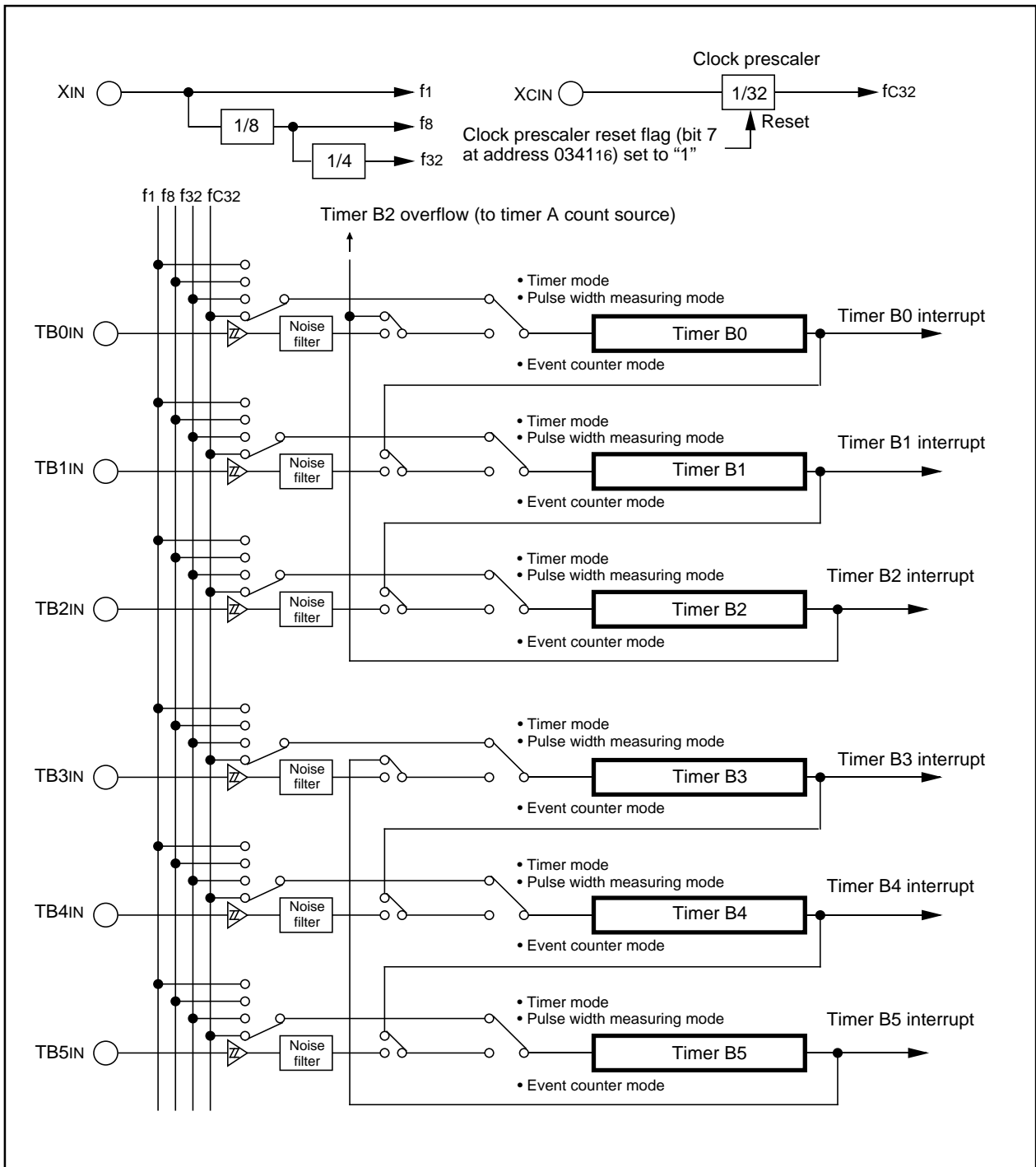


Figure 1.12.2. Timer B block diagram

Timer A

Timer A

Figure 1.13.1 shows the block diagram of timer A. Figures 1.13.2 to 1.13.4 show the timer A-related registers. Except in event counter mode, timers A0 through A4 all have the same function. Use the timer Ai mode register (i = 0 to 4) bits 0 and 1 to choose the desired mode.

Timer A has the four operation modes listed as follows:

- Timer mode: The timer counts an internal count source.
- Event counter mode: The timer counts pulses from an external source or a timer over flow.
- One-shot timer mode: The timer stops counting when the count reaches "0000"<sub>16</sub>.
- Pulse width modulation (PWM) mode: The timer outputs pulses of a given width.

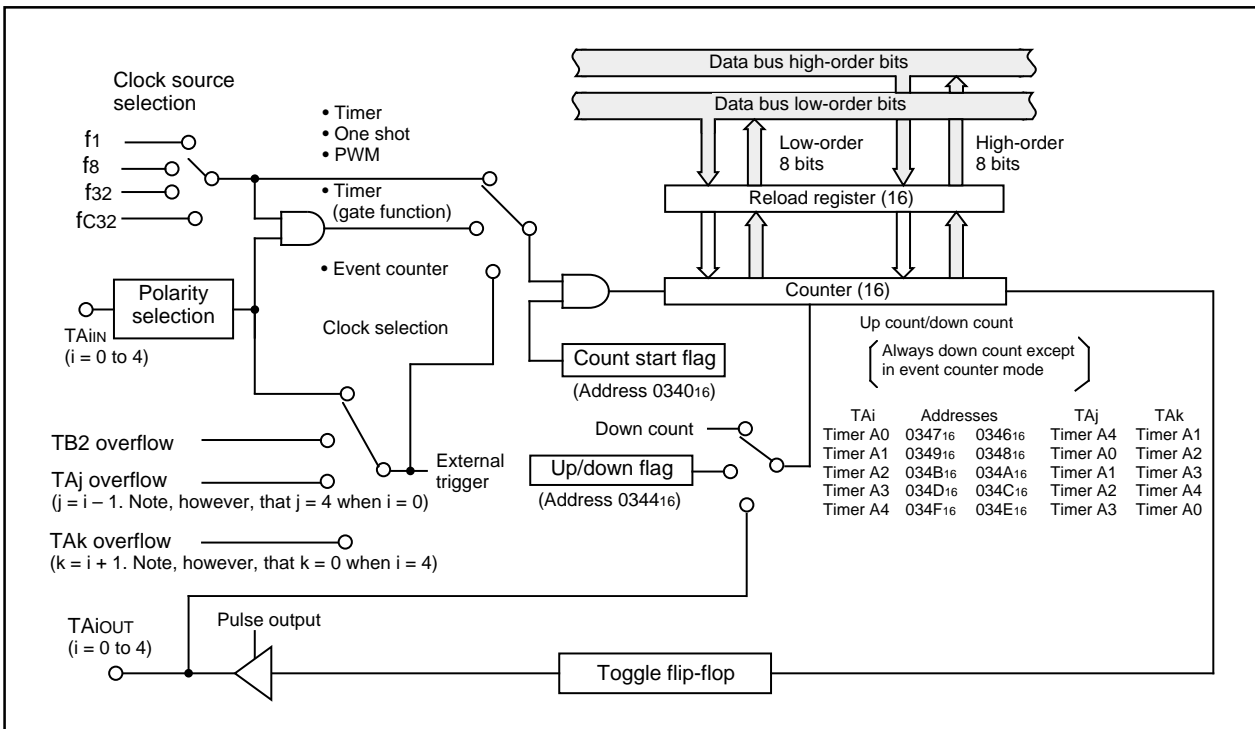


Figure 1.13.1. Block diagram of timer A

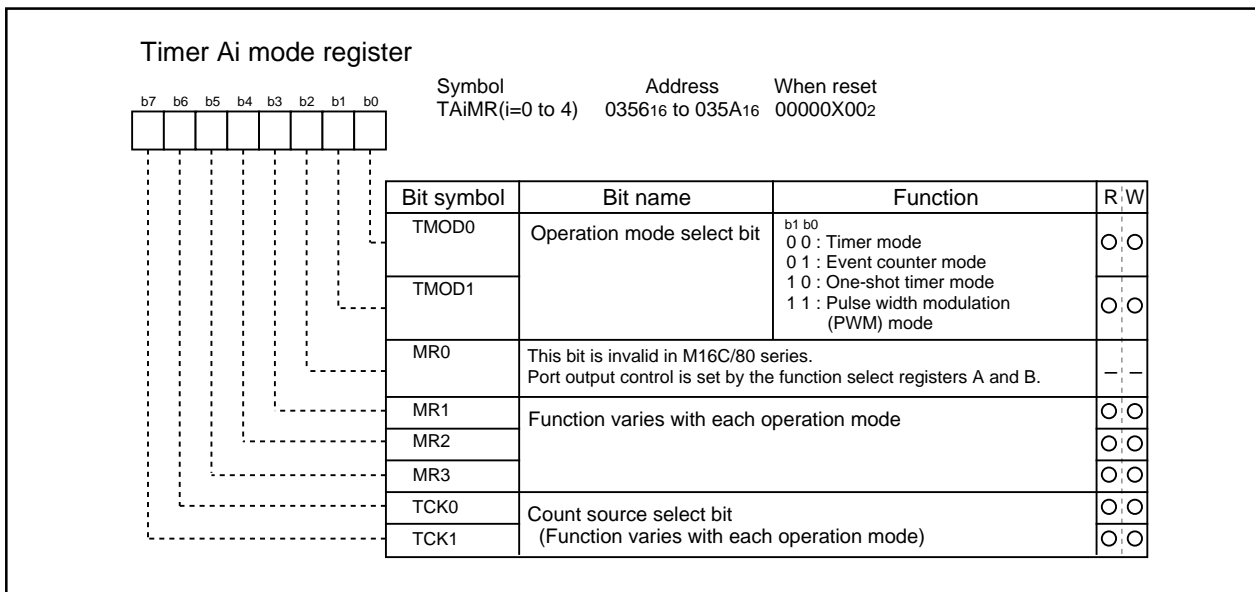


Figure 1.13.2. Timer A-related registers (1)

## Timer A

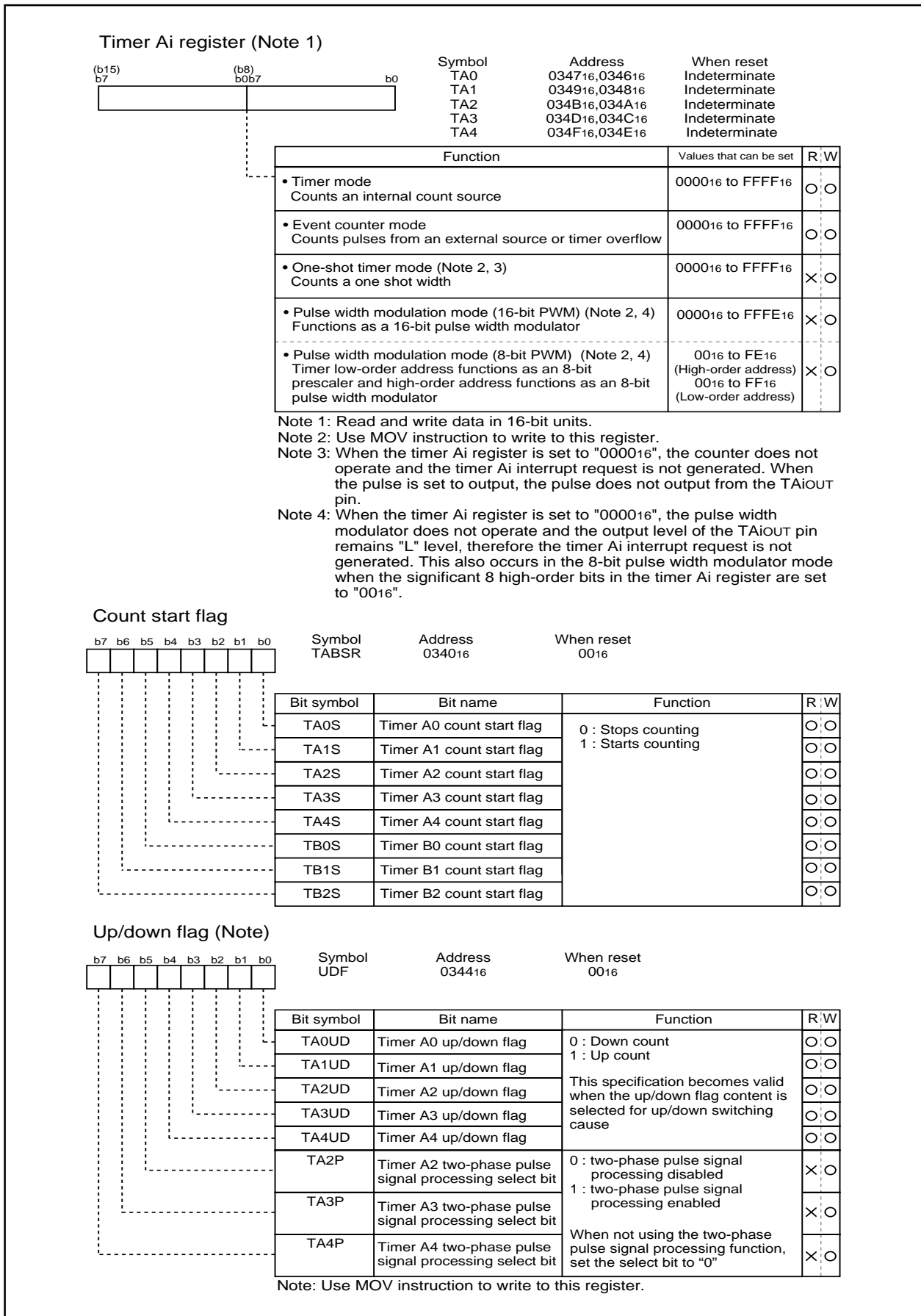


Figure 1.13.3. Timer A-related registers (2)

Timer A

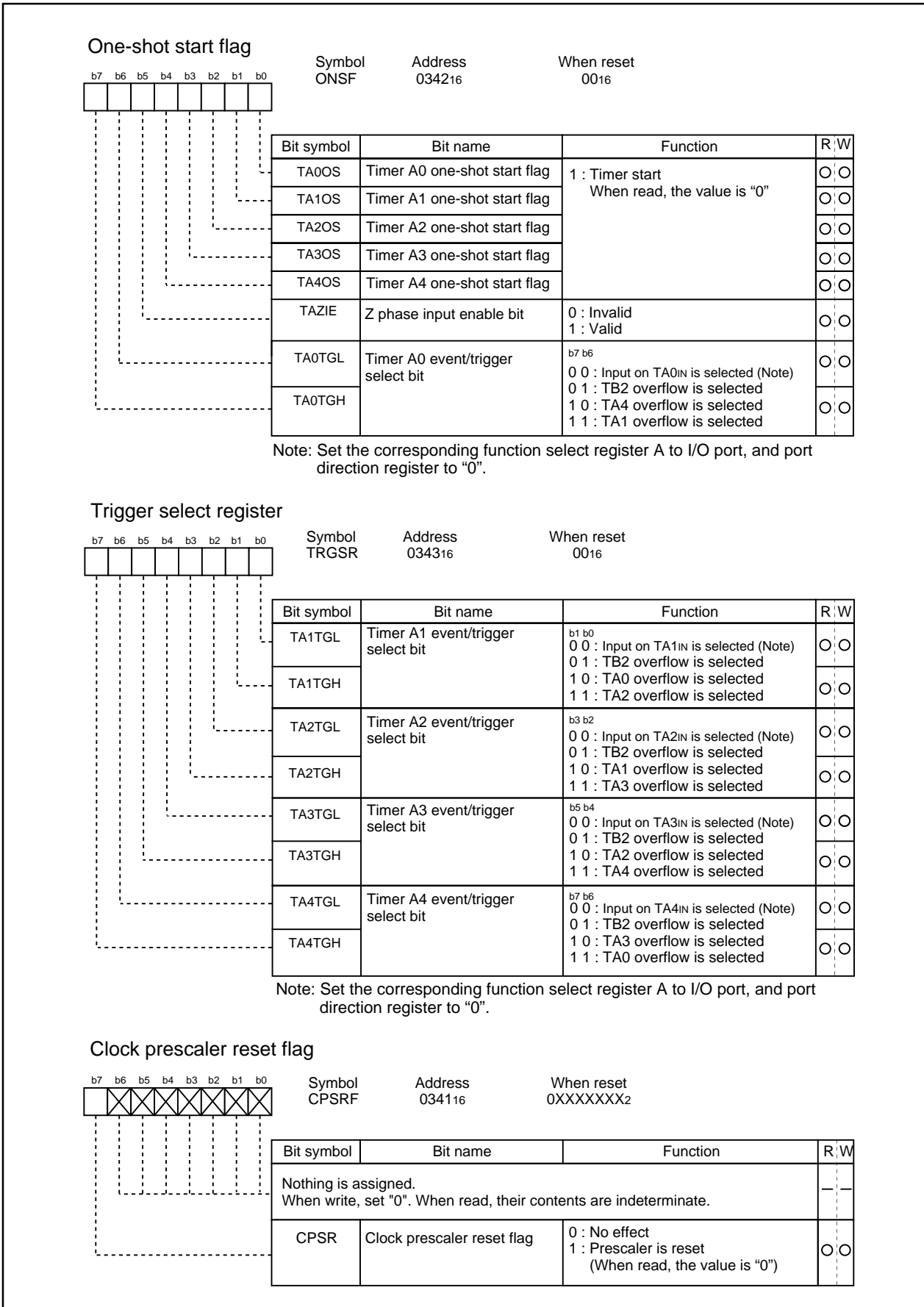


Figure 1.13.4. Timer A-related registers (3)

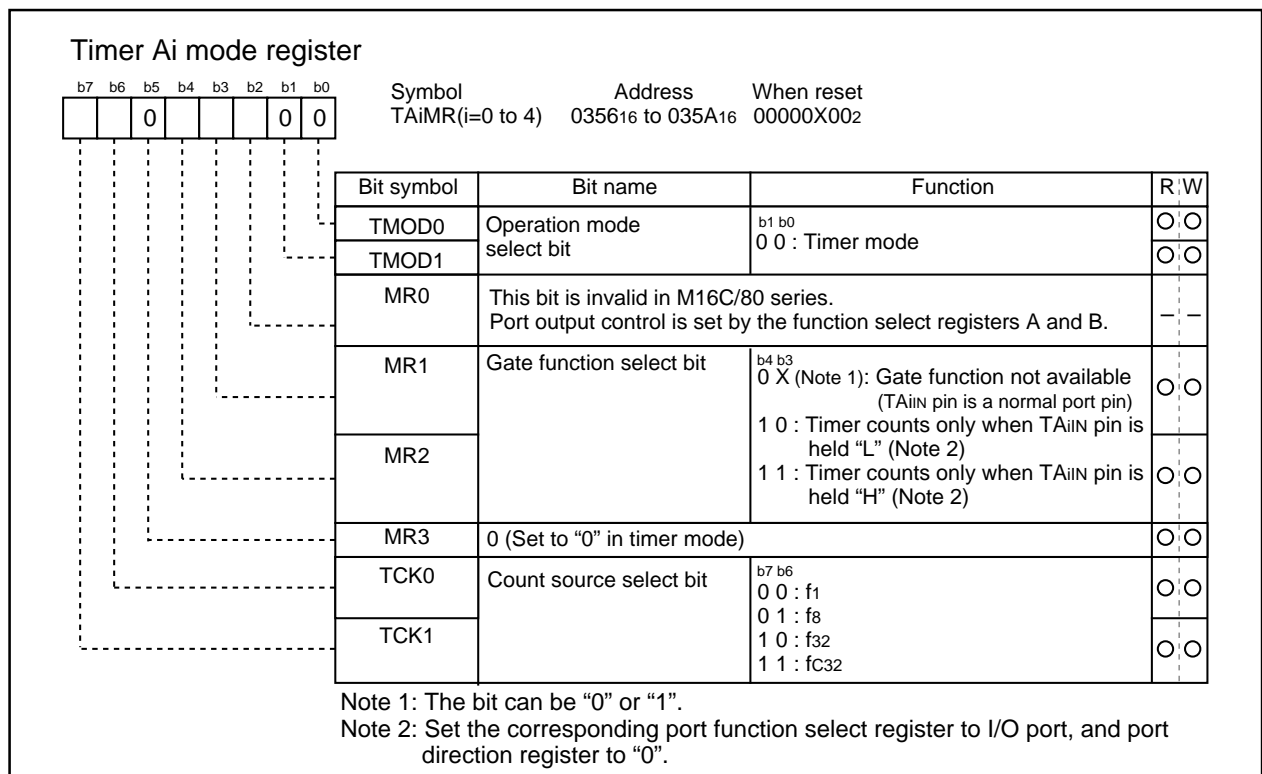
## Timer A

**(1) Timer mode**

In this mode, the timer counts an internally generated count source. (See Table 1.13.1.) Figure 1.13.5 shows the timer Ai mode register in timer mode.

**Table 1.13.1. Specifications of timer mode**

Item	Specification
Count source	f1, f8, f32, fc32
Count operation	<ul style="list-style-type: none"> <li>• Down count</li> <li>• When the timer underflows, it reloads the reload register contents before continuing counting</li> </ul>
Divide ratio	1/(n+1) n : Set value
Count start condition	Count start flag is set (= 1)
Count stop condition	Count start flag is reset (= 0)
Interrupt request generation timing	When the timer underflows
TAiIN pin function	Programmable I/O port or gate input
TAiOUT pin function	Programmable I/O port or pulse output (Setting by the corresponding function select registers A and B)
Read from timer	Count value can be read out by reading timer Ai register
Write to timer	<ul style="list-style-type: none"> <li>• When counting stopped When a value is written to timer Ai register, it is written to both reload register and counter</li> <li>• When counting in progress When a value is written to timer Ai register, it is written to only reload register (Transferred to counter at next reload time)</li> </ul>
Select function	<ul style="list-style-type: none"> <li>• Gate function Counting can be started and stopped by the TAiIN pin's input signal</li> <li>• Pulse output function Each time the timer underflows, the TAiOUT pin's polarity is reversed</li> </ul>

**Figure 1.13.5. Timer Ai mode register in timer mode**



Timer A

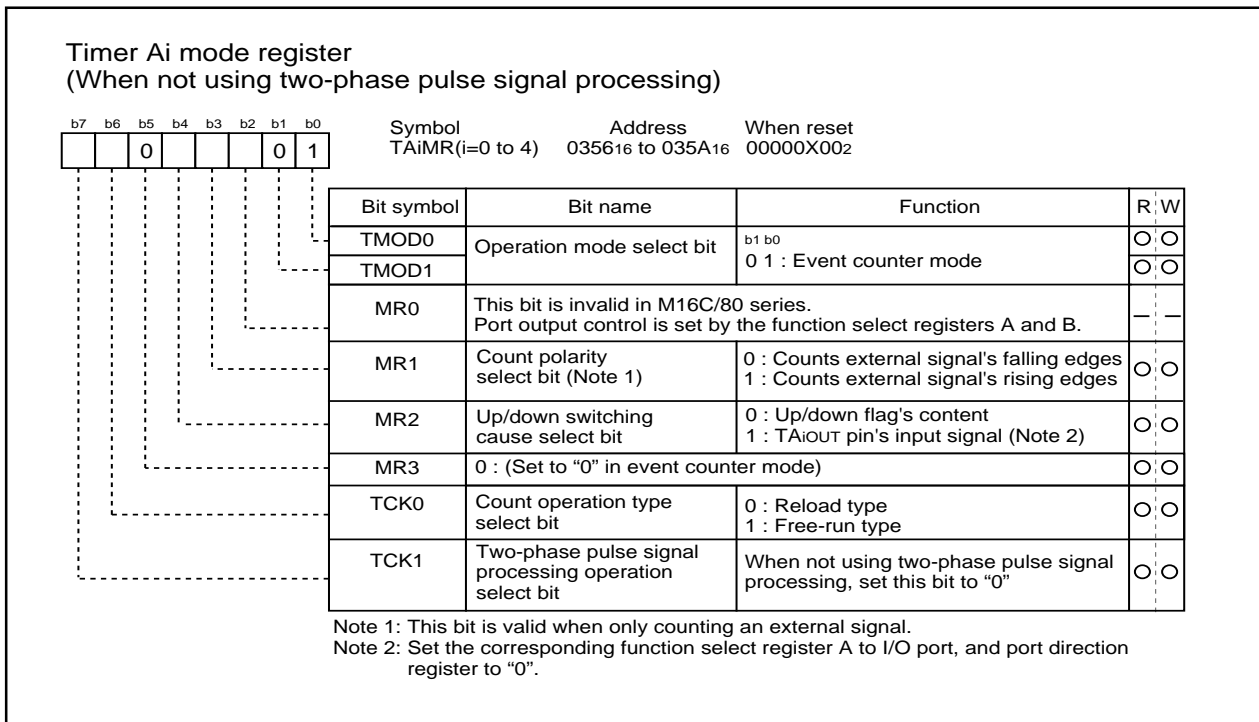
**(2) Event counter mode**

In this mode, the timer counts an external signal or an internal timer's overflow. Timers A0 and A1 can count a single-phase external signal. Timers A2, A3, and A4 can count a single-phase and a two-phase external signal. Table 1.13.2 lists timer specifications when counting a single-phase external signal. Figure 1.13.6 shows the timer Ai mode register in event counter mode. Table 1.13.3 lists timer specifications when counting a two-phase external signal. Figure 1.13.7 shows the timer Ai mode register in event counter mode.

**Table 1.13.2. Timer specifications in event counter mode (when not processing two-phase pulse signal)**

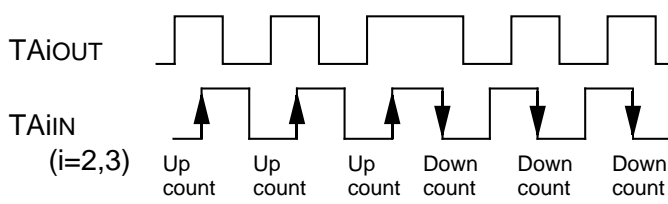
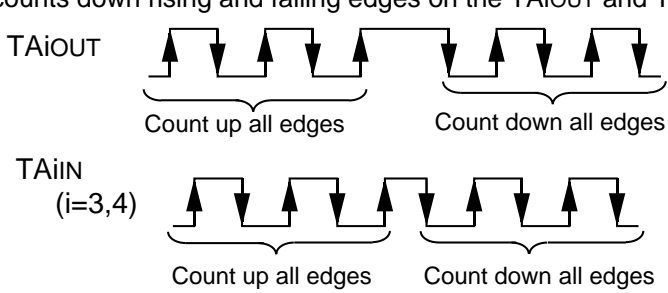
Item	Specification
Count source	<ul style="list-style-type: none"> <li>External signals input to TAIiN pin (effective edge can be selected by software)</li> <li>TB2 overflows or underflows, TAJ overflows or underflows</li> </ul>
Count operation	<ul style="list-style-type: none"> <li>Up count or down count can be selected by external signal or software</li> <li>When the timer overflows or underflows, it reloads the reload register contents before continuing counting (Note)</li> </ul>
Divide ratio	<ul style="list-style-type: none"> <li>1/ (FFFF<sub>16</sub> - n + 1) for up count</li> <li>1/ (n + 1) for down count                      n : Set value</li> </ul>
Count start condition	Count start flag is set (= 1)
Count stop condition	Count start flag is reset (= 0)
Interrupt request generation timing	The timer overflows or underflows
TAiIN pin function	Programmable I/O port or count source input
TAiOUT pin function	Programmable I/O port, pulse output, or up/down count select input (Setting by the corresponding function select registers A and B)
Read from timer	Count value can be read out by reading timer Ai register
Write to timer	<ul style="list-style-type: none"> <li>When counting stopped When a value is written to timer Ai register, it is written to both reload register and counter</li> <li>When counting in progress When a value is written to timer Ai register, it is written to only reload register (Transferred to counter at next reload time)</li> </ul>
Select function	<ul style="list-style-type: none"> <li>Free-run count function Even when the timer overflows or underflows, the reload register content is not reloaded to it</li> <li>Pulse output function Each time the timer overflows or underflows, the TAIOUT pin's polarity is reversed</li> </ul>

Note: This does not apply when the free-run function is selected.



**Figure 1.13.6. Timer Ai mode register in event counter mode**

**Table 1.13.3. Timer specifications in event counter mode**

Item	Specification
Count source	• Two-phase pulse signals input to TAIIN or TAIOUT pin
Count operation	• Up count or down count can be selected by two-phase pulse signal • When the timer overflows or underflows, the reload register content is reloaded and the timer starts over again (Note)
Divide ratio	• $1 / (FFFF_{16} - n + 1)$ for up count • $1 / (n + 1)$ for down count      n : Set value
Count start condition	Count start flag is set (= 1)
Count stop condition	Count start flag is reset (= 0)
Interrupt request generation timing	Timer overflows or underflows
TAiIN pin function	Two-phase pulse input
TAiOUT pin function	Two-phase pulse input (Set the corresponding function select registers A to I/O port)
Read from timer	Count value can be read out by reading timer A2, A3, or A4 register
Write to timer	• When counting stopped When a value is written to timer A2, A3, or A4 register, it is written to both reload register and counter • When counting in progress When a value is written to timer A2, A3, or A4 register, it is written to only reload register. (Transferred to counter at next reload time.)
Select function (Note 2)	<p>• Normal processing operation (TimerA2 and timer A3) The timer counts up rising edges or counts down falling edges on the TAIIN pin when input signal on the TAIOUT pin is "H"</p>  <p>• Multiply-by-4 processing operation (TimerA3 and timer A4) If the phase relationship is such that the TAIIN pin goes "H" when the input signal on the TAIOUT pin is "H", the timer counts up rising and falling edges on the TAIOUT and TAIIN pins. If the phase relationship is such that the TAIIN pin goes "L" when the input signal on the TAIOUT pin is "H", the timer counts down rising and falling edges on the TAIOUT and TAIIN pins.</p> 

(when processing two-phase pulse signal with timers A2, A3, and A4)

Note 1: This does not apply when the free-run function is selected.

Note 2: Timer A3 is selectable. Timer A2 is fixed to normal processing operation and timer A4 is fixed to multiply-by-4 operation.

Timer A

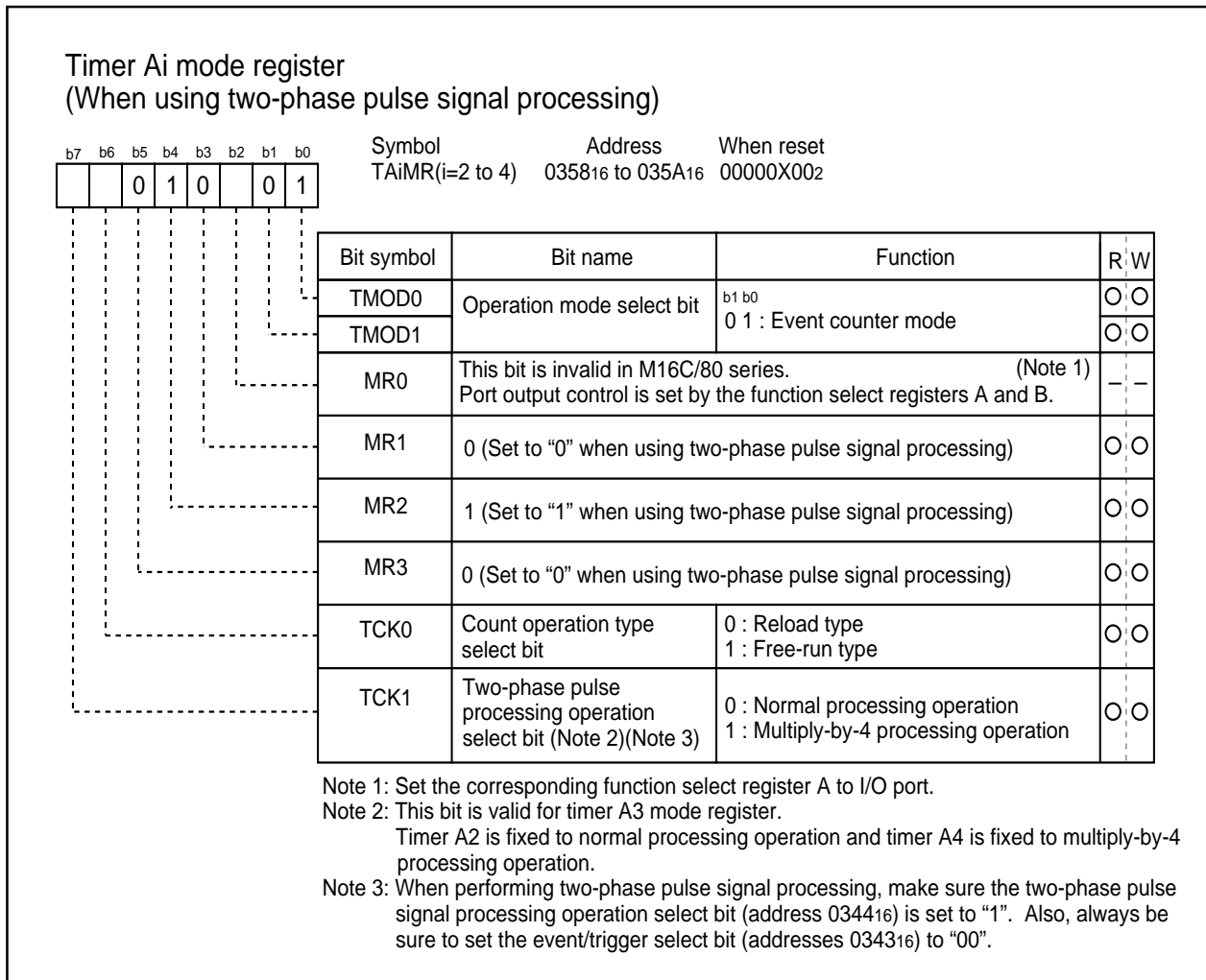


Figure 1.13.7. Timer Ai mode register in event counter mode

**• Counter Resetting by Two-Phase Pulse Signal Processing**

This function resets the timer counter to "0" when the Z-phase (counter reset) is input during two-phase pulse signal processing.

This function can only be used in timer A3 event counter mode, two-phase pulse signal processing, free-run type, and multiply-by-4 processing. The Z phase is input to the INT2 pin.

When the Z-phase input enable bit (bit 5 at address 0342<sub>16</sub>) is set to "1", the counter can be reset by Z-phase input. For the counter to be reset to "0" by Z-phase input, you must first write "0000<sub>16</sub>" to the timer A3 register (address 034D<sub>16</sub> and 034C<sub>16</sub>).

The Z-phase is input when the INT2 input edge is detected. The edge polarity is selected by the INT2 polarity switch bit (bit 4 at address 009C<sub>16</sub>). The Z-phase must have a pulse width greater than 1 cycle of the timer A3 count source. Figure 1.13.8 shows the relationship between the two-phase pulse (A phase and B phase) and the Z phase.

The counter is reset at the count source following Z-phase input. Figure 1.13.9 shows the timing at which the counter is reset to "0".

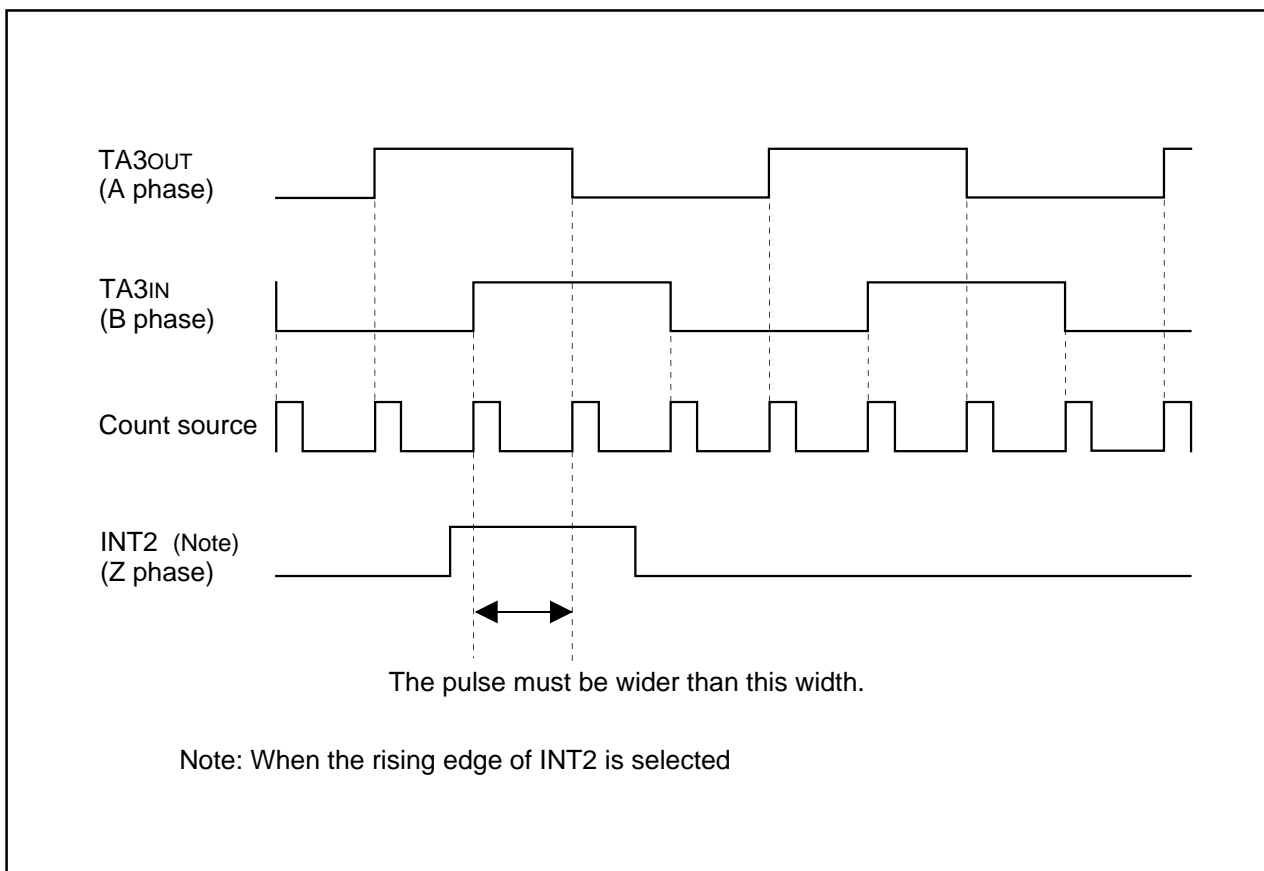
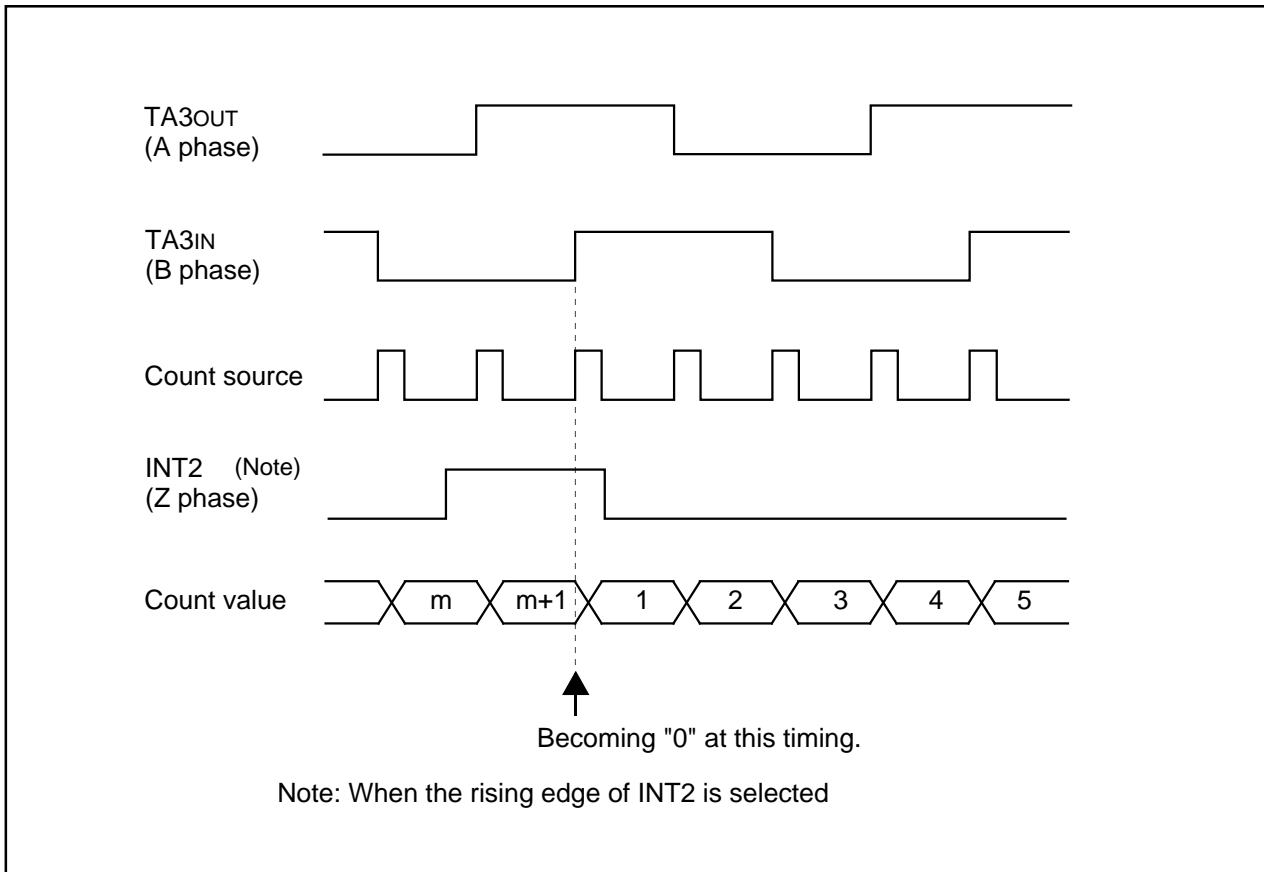


Figure 1.13.8. The relationship between the two-phase pulse (A phase and B phase) and the Z phase

Timer A



**Figure 1.13.9. The counter reset timing**

Note that timer A3 interrupt requests occur successively two times when timer A3 underflow and INT2 input reload are happened at the same timing.

Do not use timer A3 interrupt request when this function is used.

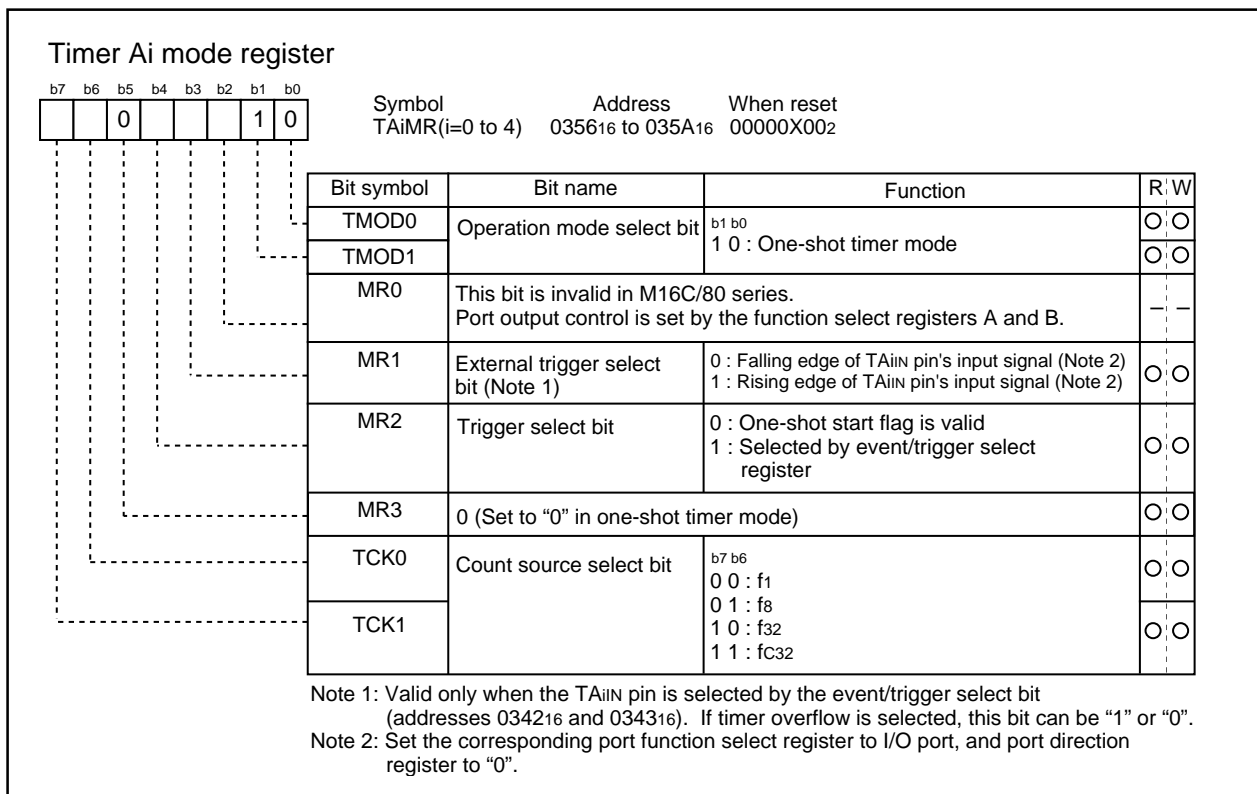
Timer A

**(3) One-shot timer mode**

In this mode, the timer operates only once. (See Table 1.13.4.) When a trigger occurs, the timer starts up and continues operating for a given period. Figure 1.13.10 shows the timer Ai mode register in one-shot timer mode.

**Table 1.13.4. Timer specifications in one-shot timer mode**

Item	Specification
Count source	f1, f8, f32, fc32
Count operation	<ul style="list-style-type: none"> <li>The timer counts down</li> <li>When the count reaches 0000<sub>16</sub>, the timer stops counting after reloading a new count</li> <li>If a trigger occurs when counting, the timer reloads a new count and restarts counting</li> </ul>
Divide ratio	1/n    n : Set value
Count start condition	<ul style="list-style-type: none"> <li>An external trigger is input</li> <li>The timer overflows</li> <li>The one-shot start flag is set (= 1)</li> </ul>
Count stop condition	<ul style="list-style-type: none"> <li>A new count is reloaded after the count has reached 0000<sub>16</sub></li> <li>The count start flag is reset (= 0)</li> </ul>
Interrupt request generation timing	The count reaches 0000 <sub>16</sub>
TAiIN pin function	Programmable I/O port or trigger input
TAiOUT pin function	Programmable I/O port or pulse output (Setting by the corresponding function select registers A and B)
Read from timer	When timer Ai register is read, it indicates an indeterminate value
Write to timer	<ul style="list-style-type: none"> <li>When counting stopped When a value is written to timer Ai register, it is written to both reload register and counter</li> <li>When counting in progress When a value is written to timer Ai register, it is written to only reload register (Transferred to counter at next reload time)</li> </ul>



**Figure 1.13.10. Timer Ai mode register in one-shot timer mode**

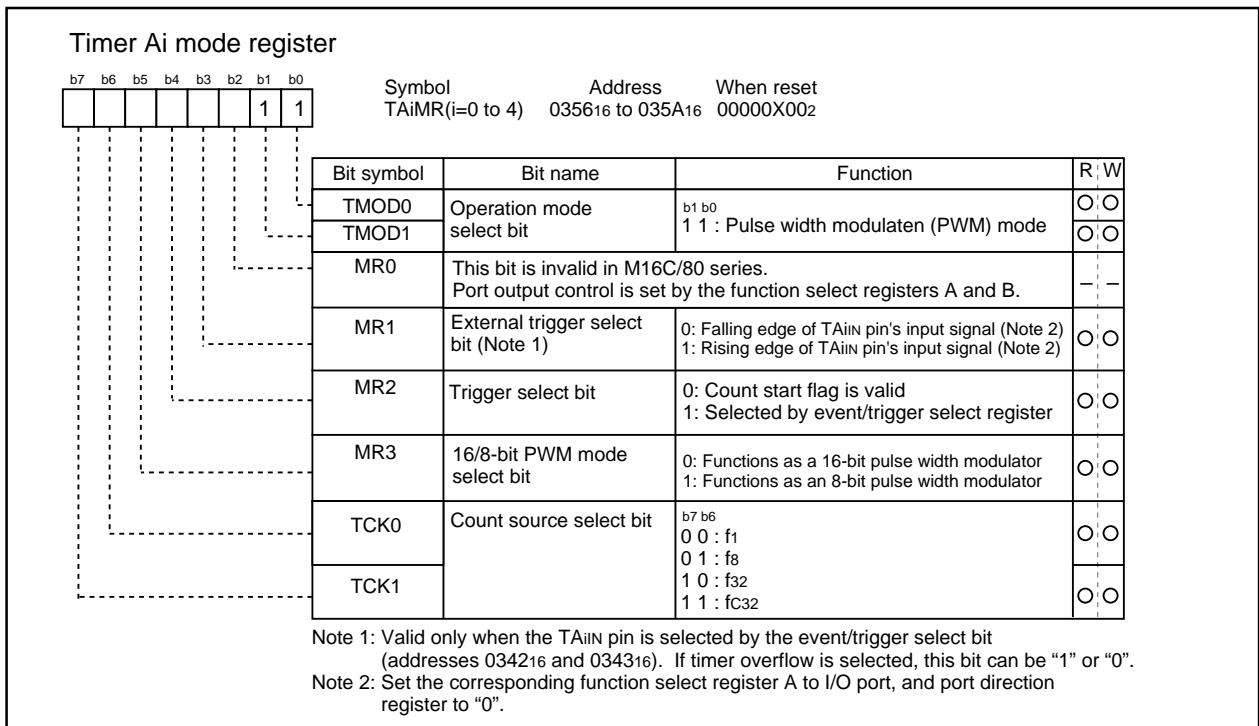
Timer A

**(4) Pulse width modulation (PWM) mode**

In this mode, the timer outputs pulses of a given width in succession. (See Table 1.13.5.) In this mode, the counter functions as either a 16-bit pulse width modulator or an 8-bit pulse width modulator. Figure 1.13.11 shows the timer Ai mode register in pulse width modulation mode. Figure 1.13.12 shows the example of how a 16-bit pulse width modulator operates. Figure 1.13.13 shows the example of how an 8-bit pulse width modulator operates.

**Table 1.13.5. Timer specifications in pulse width modulation mode**

Item	Specification
Count source	f1, f8, f32, fc32
Count operation	<ul style="list-style-type: none"> <li>The timer counts down (operating as an 8-bit or a 16-bit pulse width modulator)</li> <li>The timer reloads a new count at a rising edge of PWM pulse and continues counting</li> <li>The timer is not affected by a trigger that occurs when counting</li> </ul>
16-bit PWM	<ul style="list-style-type: none"> <li>High level width <math>n / f_i</math> n : Set value</li> <li>Cycle time <math>(2^{16}-1) / f_i</math> fixed</li> </ul>
8-bit PWM	<ul style="list-style-type: none"> <li>High level width <math>n \times (m+1) / f_i</math> n : values set to timer Ai register's high-order address</li> <li>Cycle time <math>(2^8-1) \times (m+1) / f_i</math> m: values set to timer Ai register's low-order address</li> </ul>
Count start condition	<ul style="list-style-type: none"> <li>External trigger is input</li> <li>The timer overflows</li> <li>The count start flag is set (= 1)</li> </ul>
Count stop condition	<ul style="list-style-type: none"> <li>The count start flag is reset (= 0)</li> </ul>
Interrupt request generation timing	PWM pulse goes "L"
TAiIn pin function	Programmable I/O port or trigger input
TAiOUT pin function	Pulse output (TAiOUT output is selected by the corresponding function select registers A and B)
Read from timer	When timer Ai register is read, it indicates an indeterminate value
Write to timer	<ul style="list-style-type: none"> <li>When counting stopped When a value is written to timer Ai register, it is written to both reload register and counter</li> <li>When counting in progress When a value is written to timer Ai register, it is written to only reload register (Transferred to counter at next reload time)</li> </ul>



**Figure 1.13.11. Timer Ai mode register in pulse width modulation mode**

Timer A

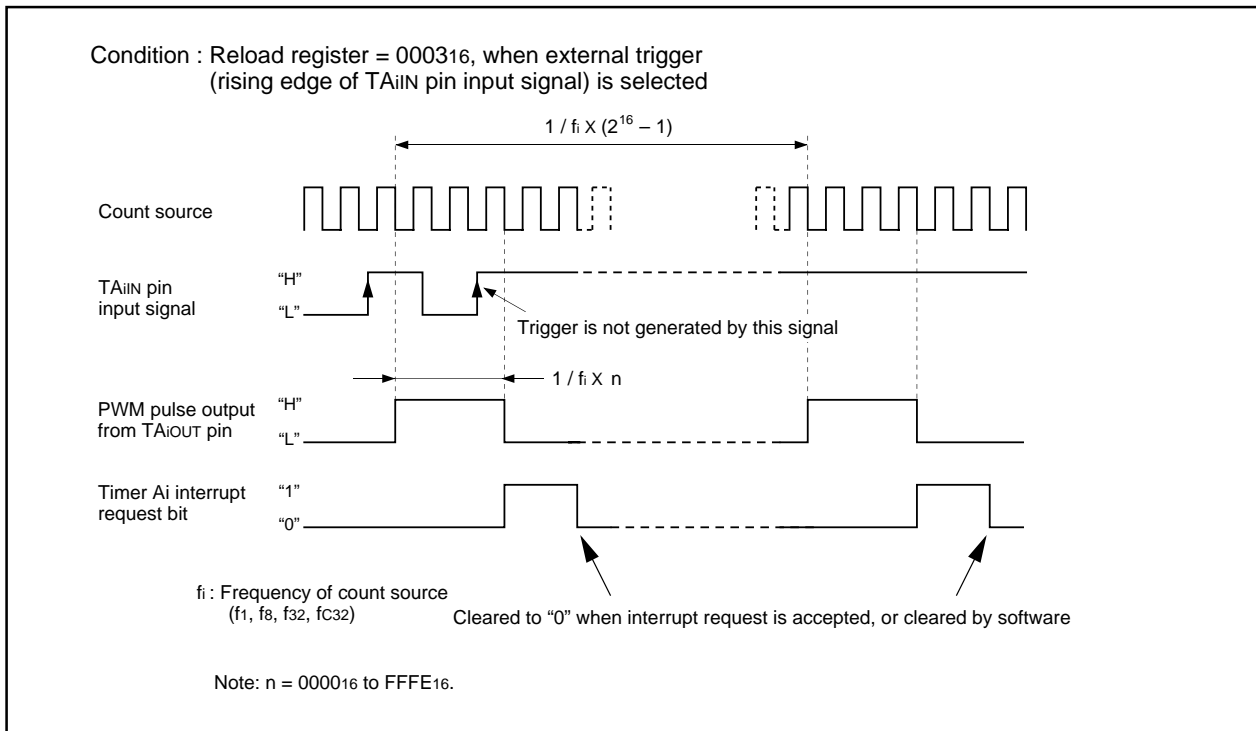


Figure 1.13.12. Example of how a 16-bit pulse width modulator operates

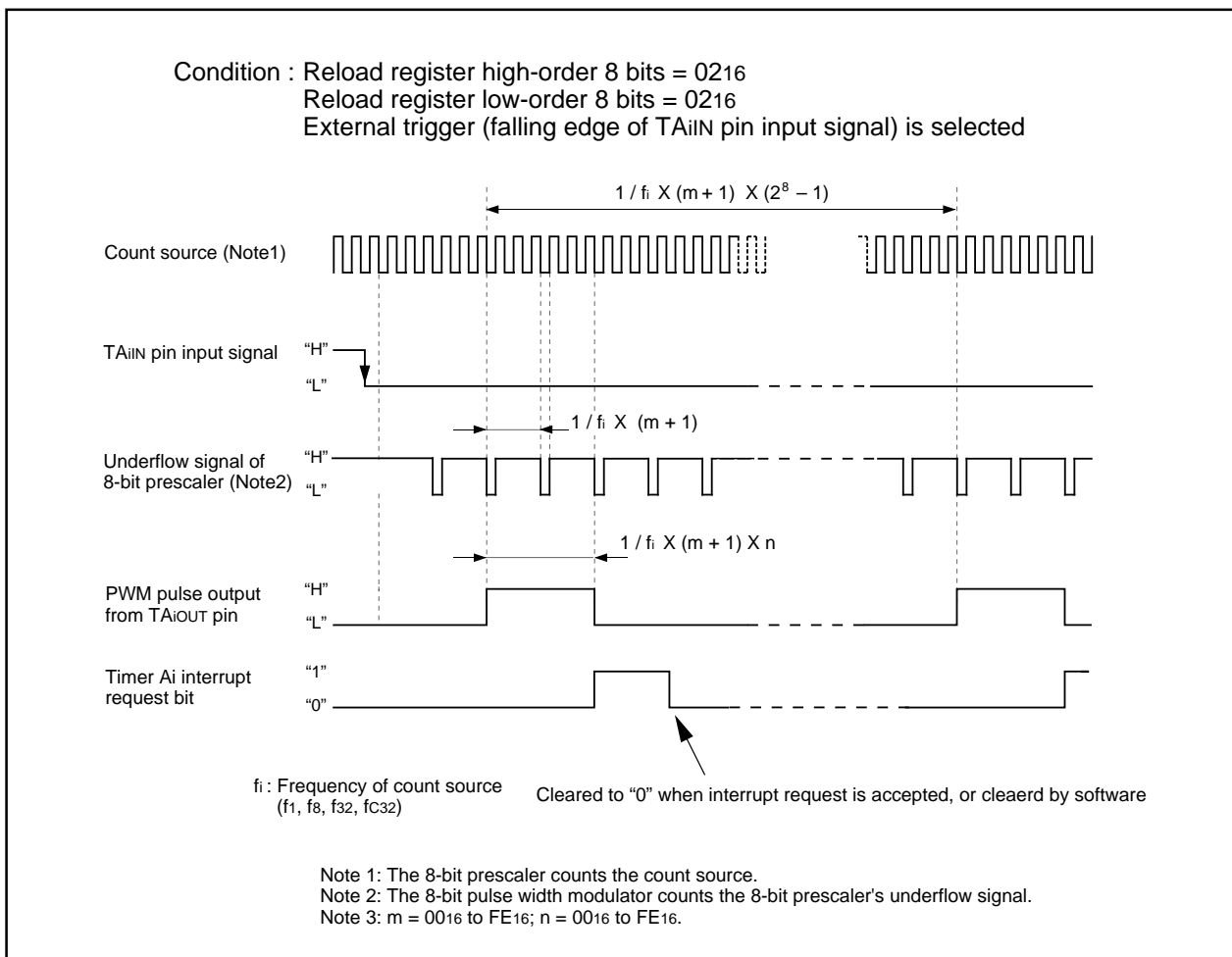


Figure 1.13.13. Example of how an 8-bit pulse width modulator operates



## Timer B

### Timer B

Figure 1.14.1 shows the block diagram of timer B. Figures 1.14.2 and 1.14.3 show the timer B-related registers. Use the timer Bi mode register (i = 0 to 5) bits 0 and 1 to choose the desired mode.

Timer B has three operation modes listed as follows:

- Timer mode: The timer counts an internal count source.
- Event counter mode: The timer counts pulses from an external source or a timer overflow.
- Pulse period/pulse width measuring mode: The timer measures an external signal's pulse period or pulse width.

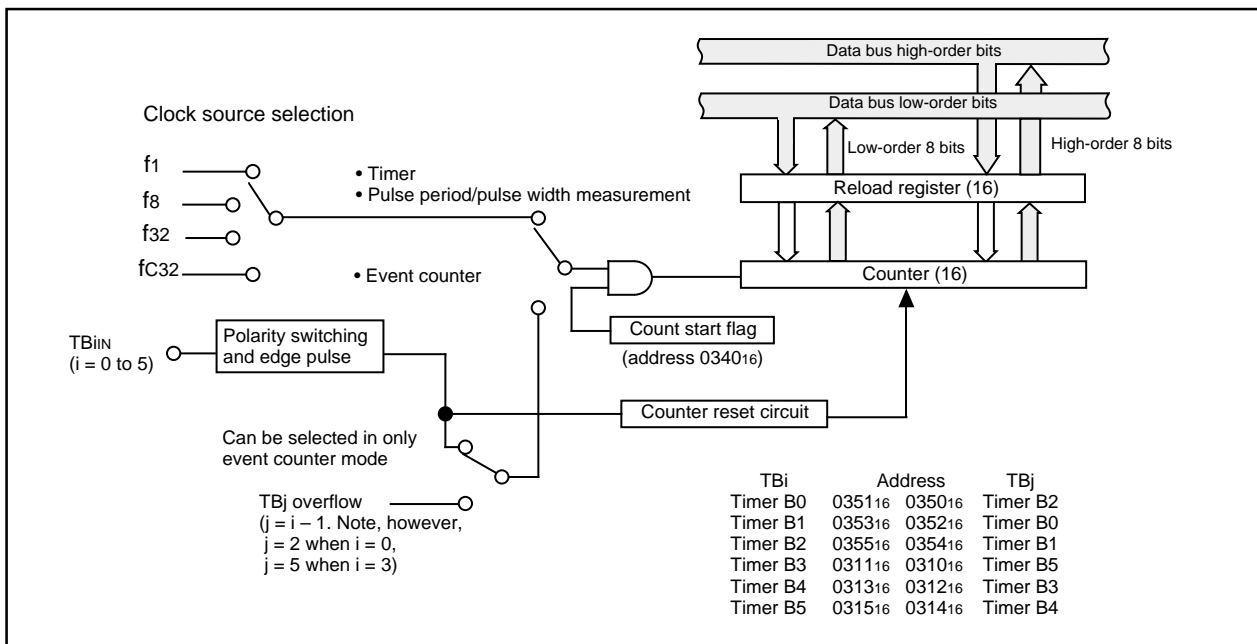


Figure 1.14.1. Block diagram of timer B

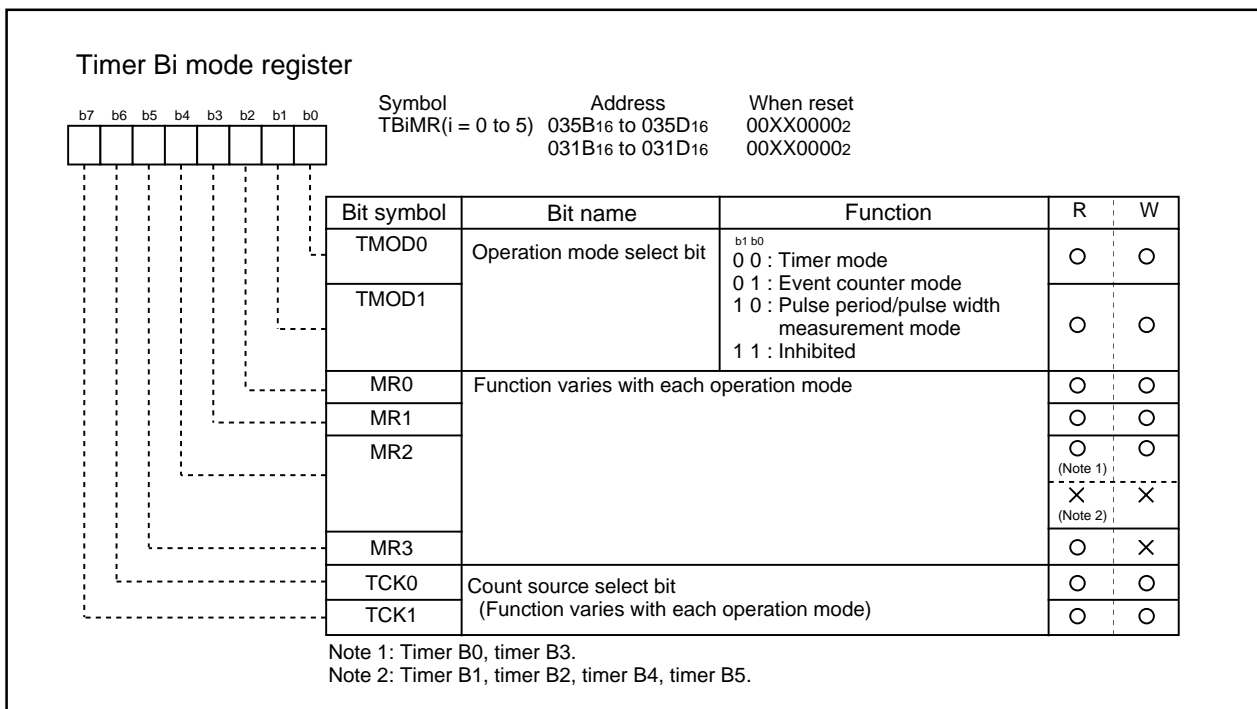


Figure 1.14.2. Timer B-related registers (1)

## Timer B

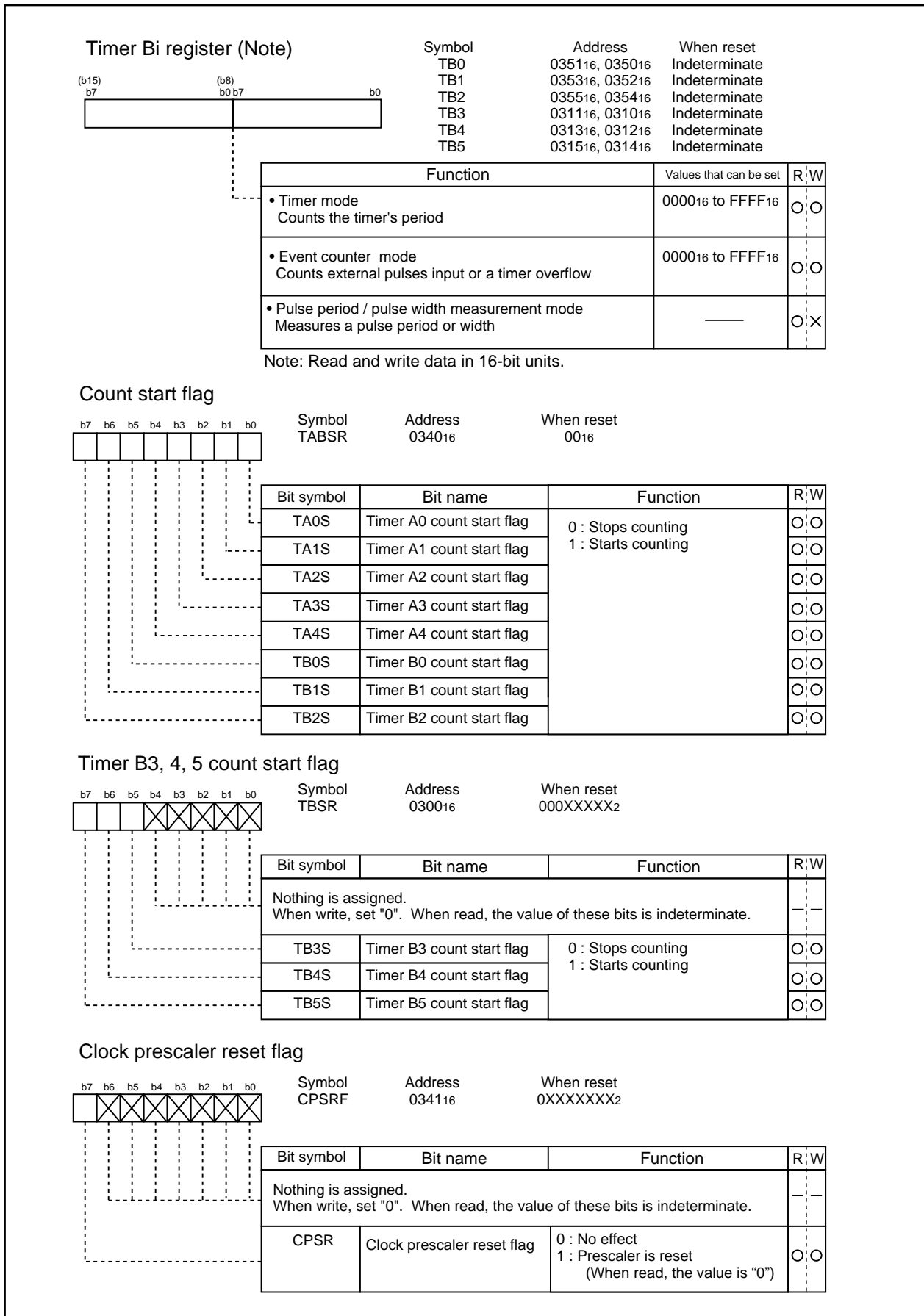


Figure 1.14.3. Timer B-related registers (2)

Timer B

(1) Timer mode

In this mode, the timer counts an internally generated count source. (See Table 1.14.1.) Figure 1.14.4 shows the timer Bi mode register in timer mode.

Table 1.14.1. Timer specifications in timer mode

Item	Specification
Count source	f1, f8, f32, fC32
Count operation	<ul style="list-style-type: none"> <li>Counts down</li> <li>When the timer underflows, it reloads the reload register contents before continuing counting</li> </ul>
Divide ratio	1/(n+1) n : Set value
Count start condition	Count start flag is set (= 1)
Count stop condition	Count start flag is reset (= 0)
Interrupt request generation timing	The timer underflows
TBiIN pin function	Programmable I/O port
Read from timer	Count value is read out by reading timer Bi register
Write to timer	<ul style="list-style-type: none"> <li>When counting stopped When a value is written to timer Bi register, it is written to both reload register and counter</li> <li>When counting in progress When a value is written to timer Bi register, it is written to only reload register (Transferred to counter at next reload time)</li> </ul>

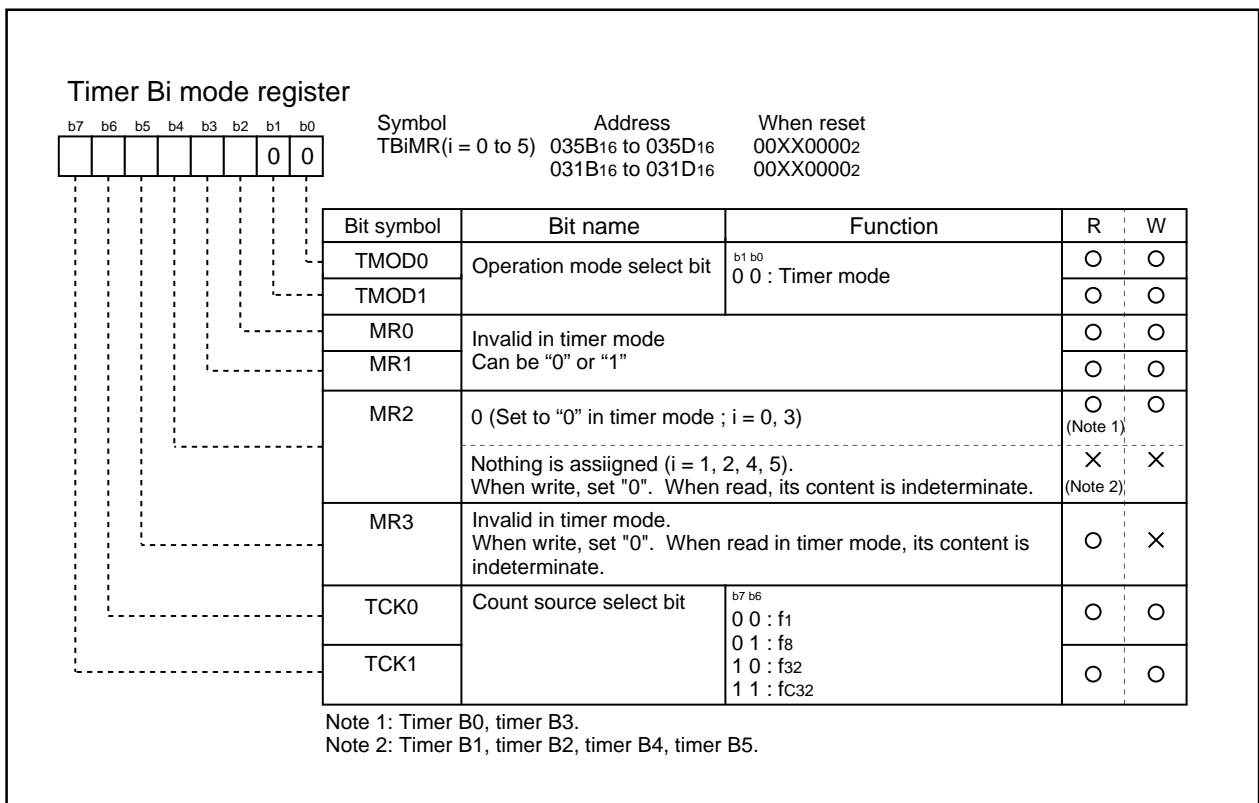


Figure 1.14.4. Timer Bi mode register in timer mode

## Timer B

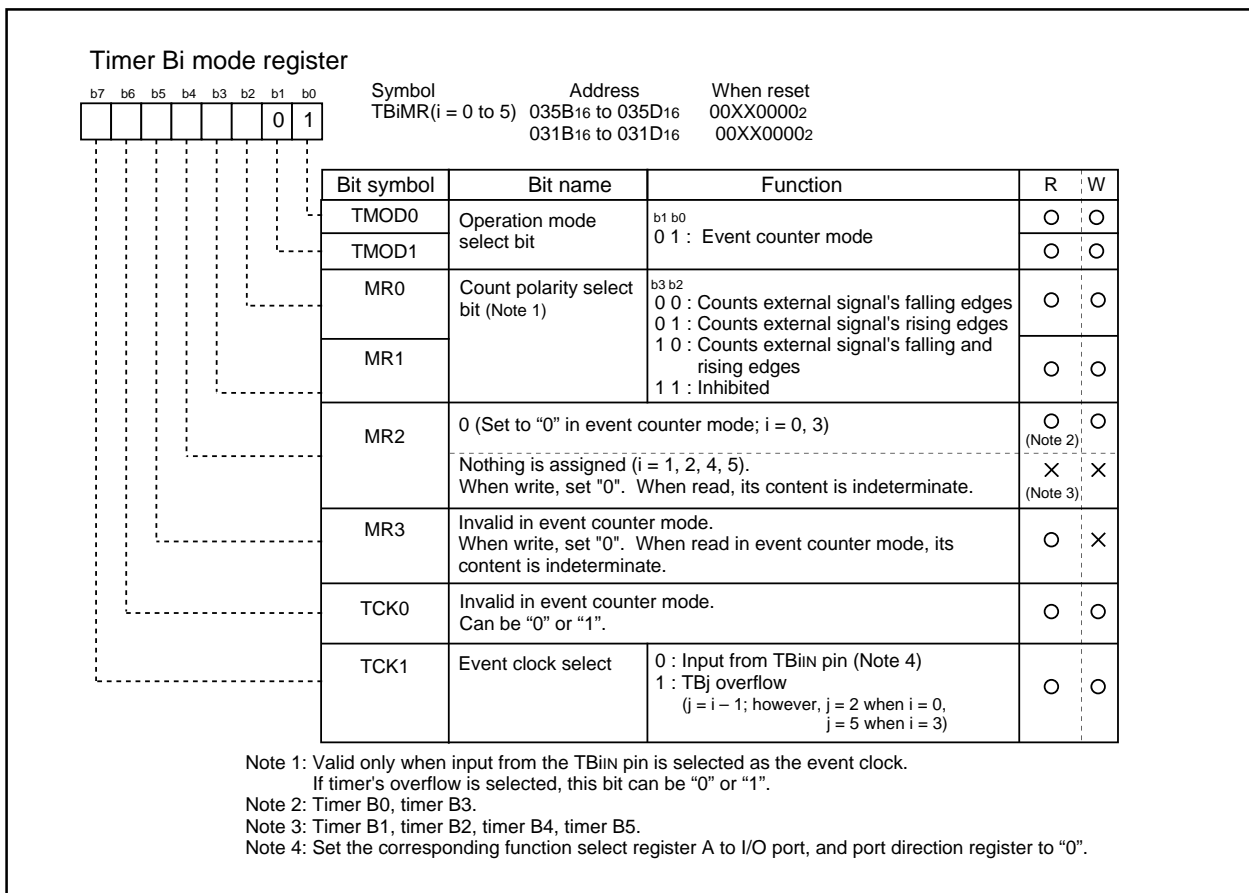
**(2) Event counter mode**

In this mode, the timer counts an external signal or an internal timer's overflow. (See Table 1.14.2.)

Figure 1.14.5 shows the timer Bi mode register in event counter mode.

**Table 1.14.2. Timer specifications in event counter mode**

Item	Specification
Count source	<ul style="list-style-type: none"> <li>External signals input to TBIiN pin</li> <li>Effective edge of count source can be a rising edge, a falling edge, or falling and rising edges as selected by software</li> <li>TBi overflows or underflows</li> </ul>
Count operation	<ul style="list-style-type: none"> <li>Counts down</li> <li>When the timer underflows, it reloads the reload register contents before continuing counting</li> </ul>
Divide ratio	$1/(n+1)$ $n$ : Set value
Count start condition	Count start flag is set (= 1)
Count stop condition	Count start flag is reset (= 0)
Interrupt request generation timing	The timer underflows
TBIiN pin function	Count source input (Set the corresponding function select register A to I/O port.)
Read from timer	Count value can be read out by reading timer Bi register
Write to timer	<ul style="list-style-type: none"> <li>When counting stopped</li> <li>When a value is written to timer Bi register, it is written to both reload register and counter</li> <li>When counting in progress</li> <li>When a value is written to timer Bi register, it is written to only reload register (Transferred to counter at next reload time)</li> </ul>



**Figure 1.14.5. Timer Bi mode register in event counter mode**

Timer B

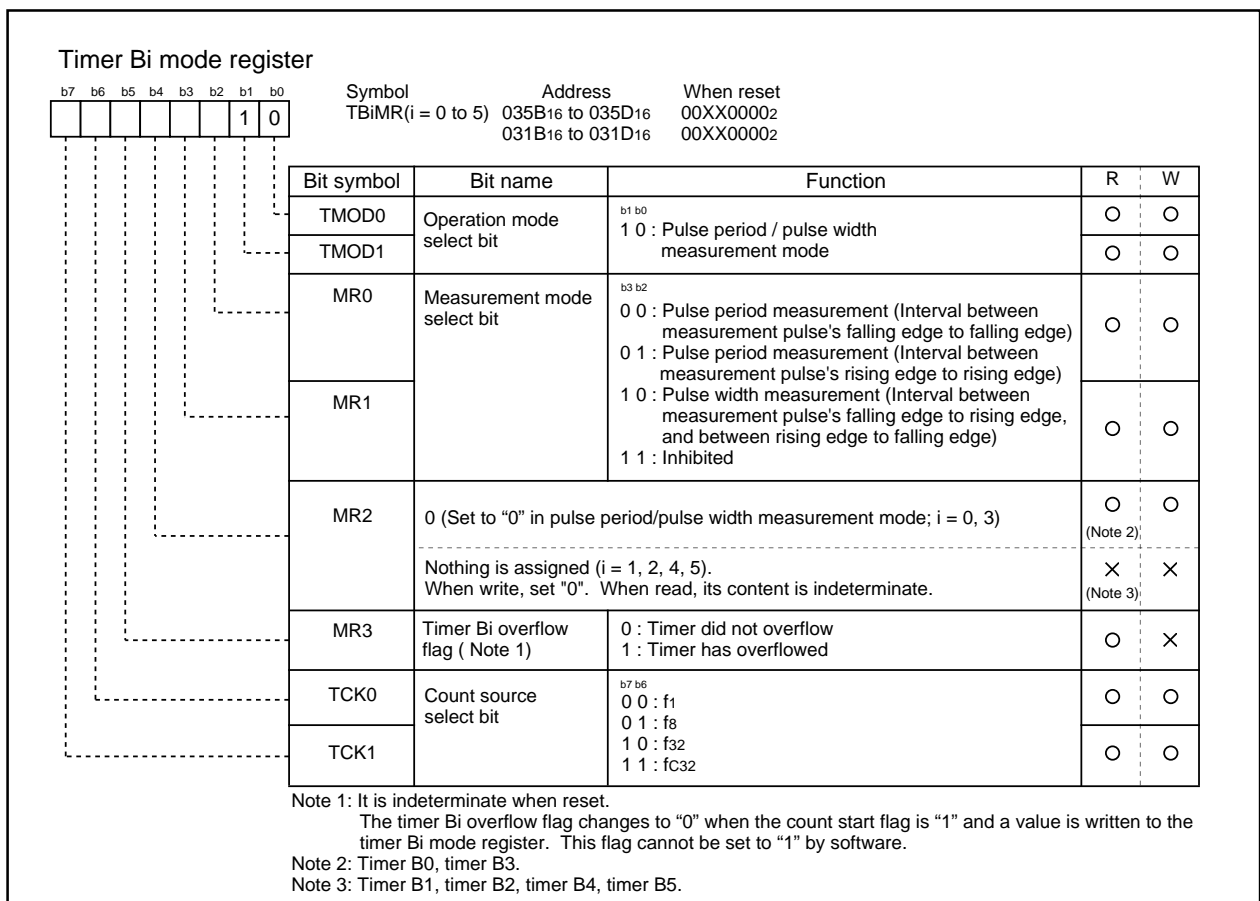
**(3) Pulse period/pulse width measurement mode**

In this mode, the timer measures the pulse period or pulse width of an external signal. (See Table 1.14.3.) Figure 1.14.6 shows the timer Bi mode register in pulse period/pulse width measurement mode. Figure 1.14.7 shows the operation timing when measuring a pulse period. Figure 1.14.8 shows the operation timing when measuring a pulse width.

**Table 1.14.3. Timer specifications in pulse period/pulse width measurement mode**

Item	Specification
Count source	f1, f8, f32, fc32
Count operation	<ul style="list-style-type: none"> <li>• Up count</li> <li>• Counter value "0000<sub>16</sub>" is transferred to reload register at measurement pulse's effective edge and the timer continues counting</li> </ul>
Count start condition	Count start flag is set (= 1)
Count stop condition	Count start flag is reset (= 0)
Interrupt request generation timing	<ul style="list-style-type: none"> <li>• When measurement pulse's effective edge is input (Note 1)</li> <li>• When an overflow occurs. (Simultaneously, the timer Bi overflow flag changes to "1". The timer Bi overflow flag changes to "0" when the count start flag is "1" and a value is written to the timer Bi mode register.)</li> </ul>
TBiIN pin function	Measurement pulse input (Set the corresponding function select register A to I/O port.)
Read from timer	When timer Bi register is read, it indicates the reload register's content (measurement result) (Note 2)
Write to timer	Cannot be written to

Note 1: An interrupt request is not generated when the first effective edge is input after the timer has started counting.  
Note 2: The value read out from the timer Bi register is indeterminate until the second effective edge is input after the timer.



**Figure 1.14.6. Timer Bi mode register in pulse period/pulse width measurement mode**

Timer B

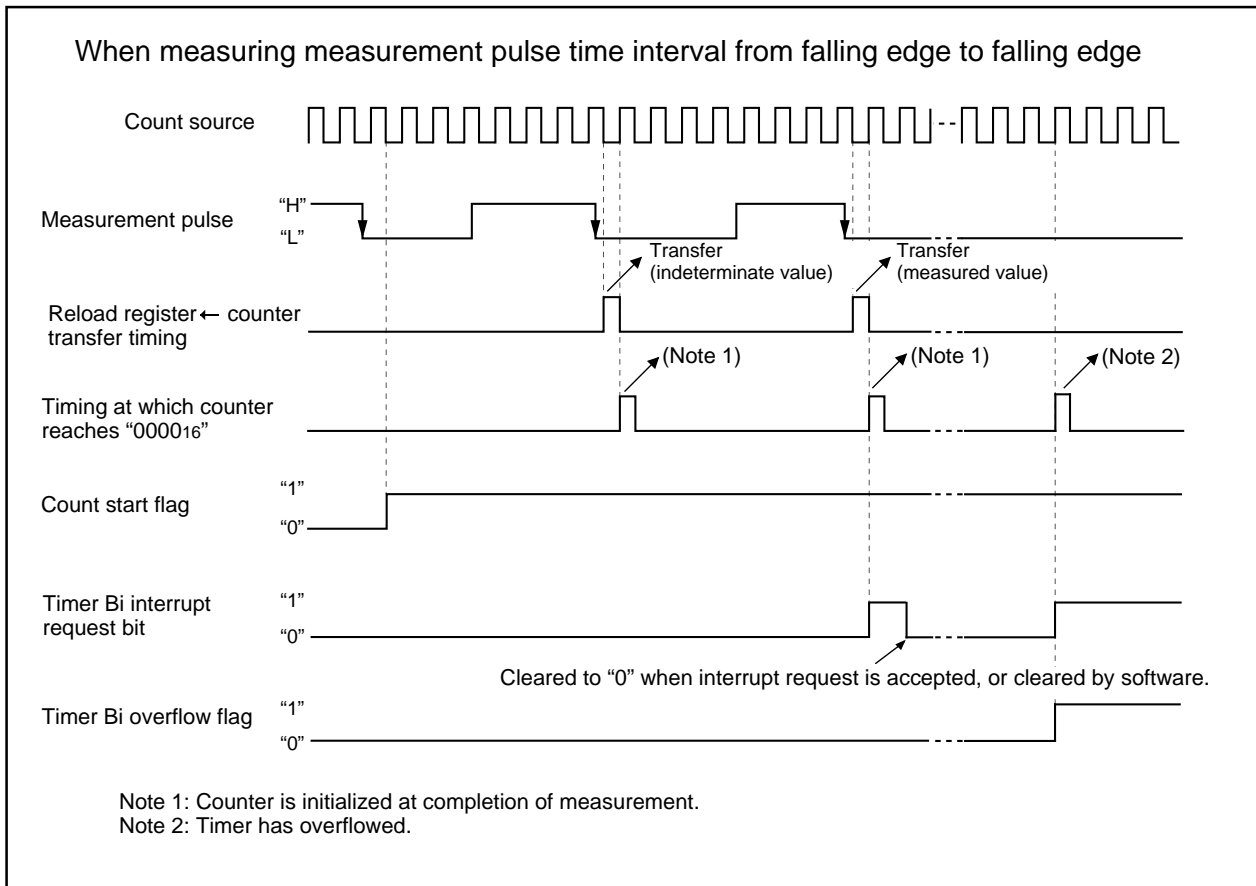


Figure 1.14.7. Operation timing when measuring a pulse period

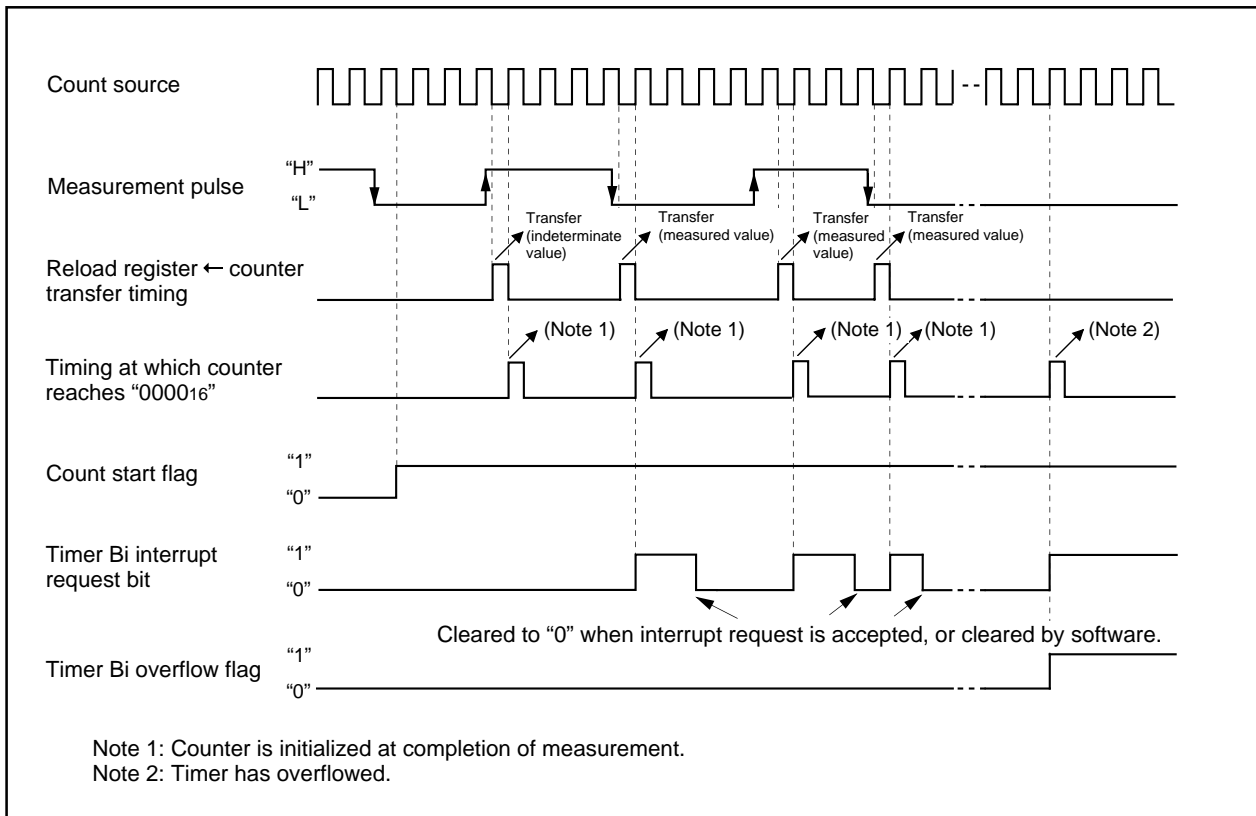


Figure 1.14.8. Operation timing when measuring a pulse width

## Three-phase motor control timers' functions

## Three-phase motor control timers' functions

Use of more than one built-in timer A and timer B provides the means of outputting three-phase motor driving waveforms.

Figures 1.15.1 through 1.15.3 show registers related to timers for three-phase motor control.

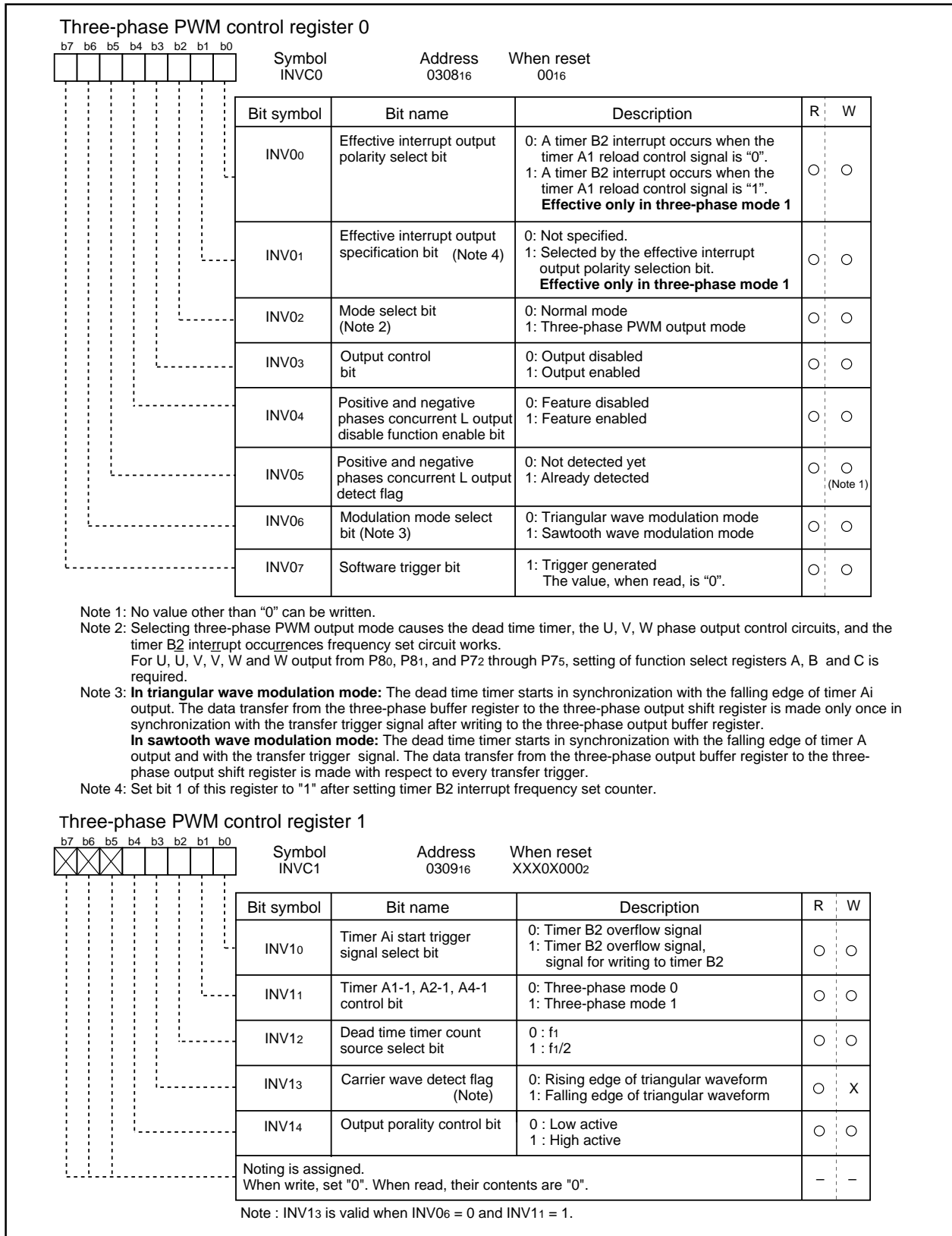


Figure 1.15.1. Registers related to timers for three-phase motor control

## Three-phase motor control timers' functions

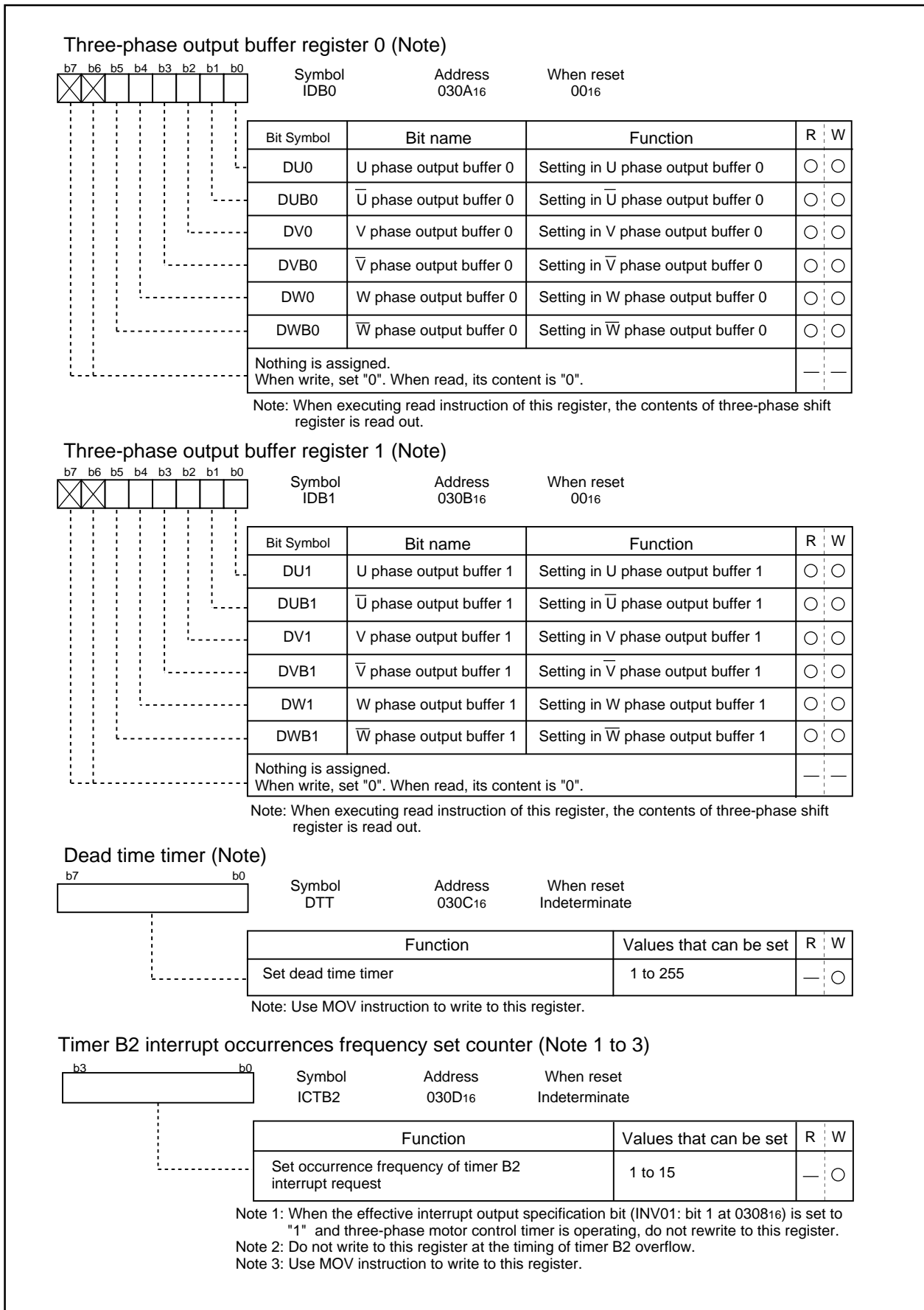


Figure 1.15.2. Registers related to timers for three-phase motor control



## Three-phase motor control timers' functions

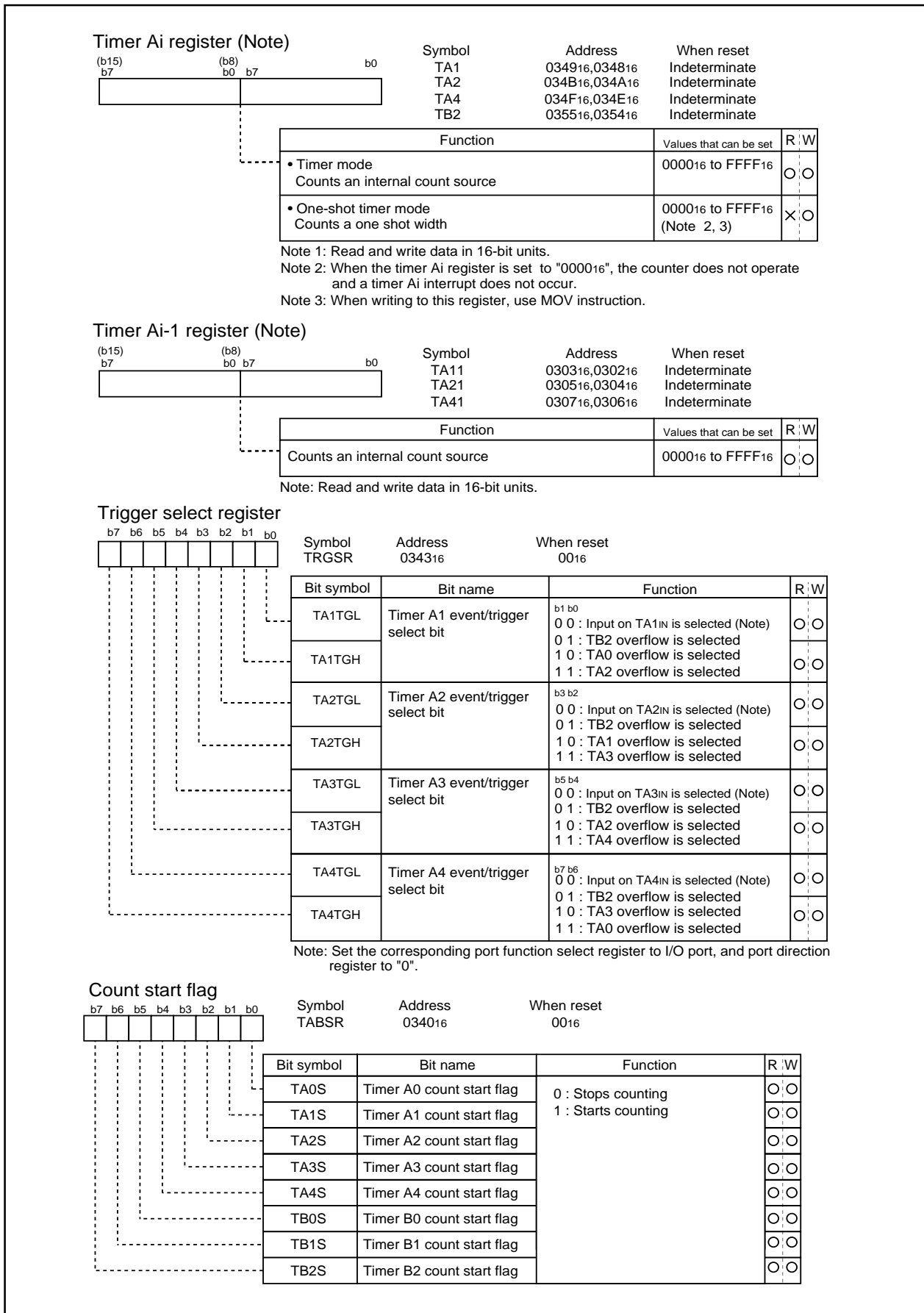


Figure 1.15.3. Registers related to timers for three-phase motor control

## Three-phase motor control timers' functions

**Three-phase motor driving waveform output mode (three-phase PWM output mode)**

Setting "1" in the mode select bit (bit 2 at 030816) shown in Figure 1.15.1 causes three-phase PWM output mode that uses four timers A1, A2, A4, and B2 to be selected. As shown in Figure 1.15.4, set timers A1, A2, and A4 in one-shot timer mode, set the trigger in timer B2, and set timer B2 in timer mode using the respective timer mode registers.

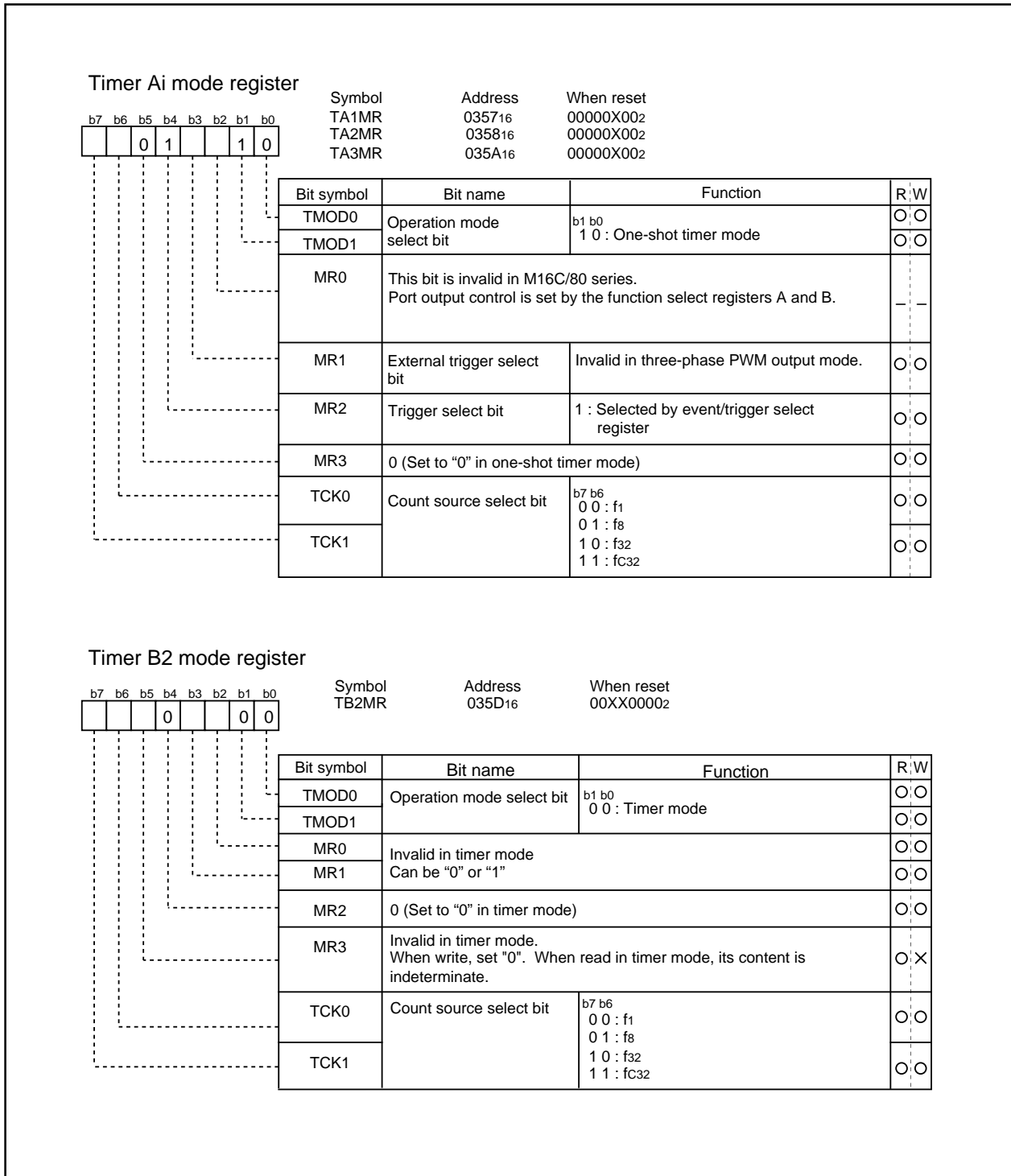


Figure 1.15.4. Timer mode registers in three-phase PWM output mode

## Three-phase motor control timers' functions

---

Figure 1.15.5 shows the block diagram for three-phase waveform mode. In “L” active output polarity in three-phase waveform mode, the positive-phase waveforms (U phase, V phase, and W phase) and negative waveforms ( $\bar{U}$  phase,  $\bar{V}$  phase, and  $\bar{W}$  phase), six waveforms in total, are output from P80, P81, P72, P73, P74, and P75 as active on the “L” level. Of the timers used in this mode, timer A4 controls the U phase and  $\bar{U}$  phase, timer A1 controls the V phase and  $\bar{V}$  phase, and timer A2 controls the W phase and  $\bar{W}$  phase respectively; timer B2 controls the periods of one-shot pulse output from timers A4, A1, and A2. In outputting a waveform, dead time can be set so as to cause the “L” level of the positive waveform output (U phase, V phase, and W phase) not to lap over the “L” level of the negative waveform output ( $\bar{U}$  phase,  $\bar{V}$  phase, and  $\bar{W}$  phase).

To set short circuit time, use three 8-bit timers sharing the reload register for setting dead time. A value from 1 through 255 can be set as the count of the timer for setting dead time. The timer for setting dead time works as a one-shot timer. If a value is written to the dead timer (030C<sub>16</sub>), the value is written to the reload register shared by the three timers for setting dead time.

Any of the timers for setting dead time takes the value of the reload register into its counter, if a start trigger comes from its corresponding timer, and performs a down count in line with the clock source selected by the dead time timer count source select bit (bit 2 at 0309<sub>16</sub>). The timer can receive another trigger again before the workings due to the previous trigger are completed. In this instance, the timer performs a down count from the reload register's content after its transfer, provoked by the trigger, to the timer for setting dead time.

Since the timer for setting dead time works as a one-shot timer, it starts outputting pulses if a trigger comes; it stops outputting pulses as soon as its content becomes 00<sub>16</sub>, and waits for the next trigger to come.

The positive waveforms (U phase, V phase, and W phase) and the negative waveforms ( $\bar{U}$  phase,  $\bar{V}$  phase, and  $\bar{W}$  phase) in three-phase waveform mode are output from respective ports by means of setting “1” in the output control bit (bit 3 at 0308<sub>16</sub>). Setting “0” in this bit causes the ports to be the high-impedance state. This bit can be set to “0” not only by use of the applicable instruction, but by entering a falling edge in the  $\overline{\text{NMI}}$  terminal or by resetting. Also, if “1” is set in the positive and negative phases concurrent L output disable function enable bit (bit 4 at 0308<sub>16</sub>) causes one of the pairs of U phase and  $\bar{U}$  phase, V phase and  $\bar{V}$  phase, and W phase and  $\bar{W}$  phase concurrently go to “L”, as a result, the output control bit becomes the high-impedance state.

Three-phase motor control timers' functions

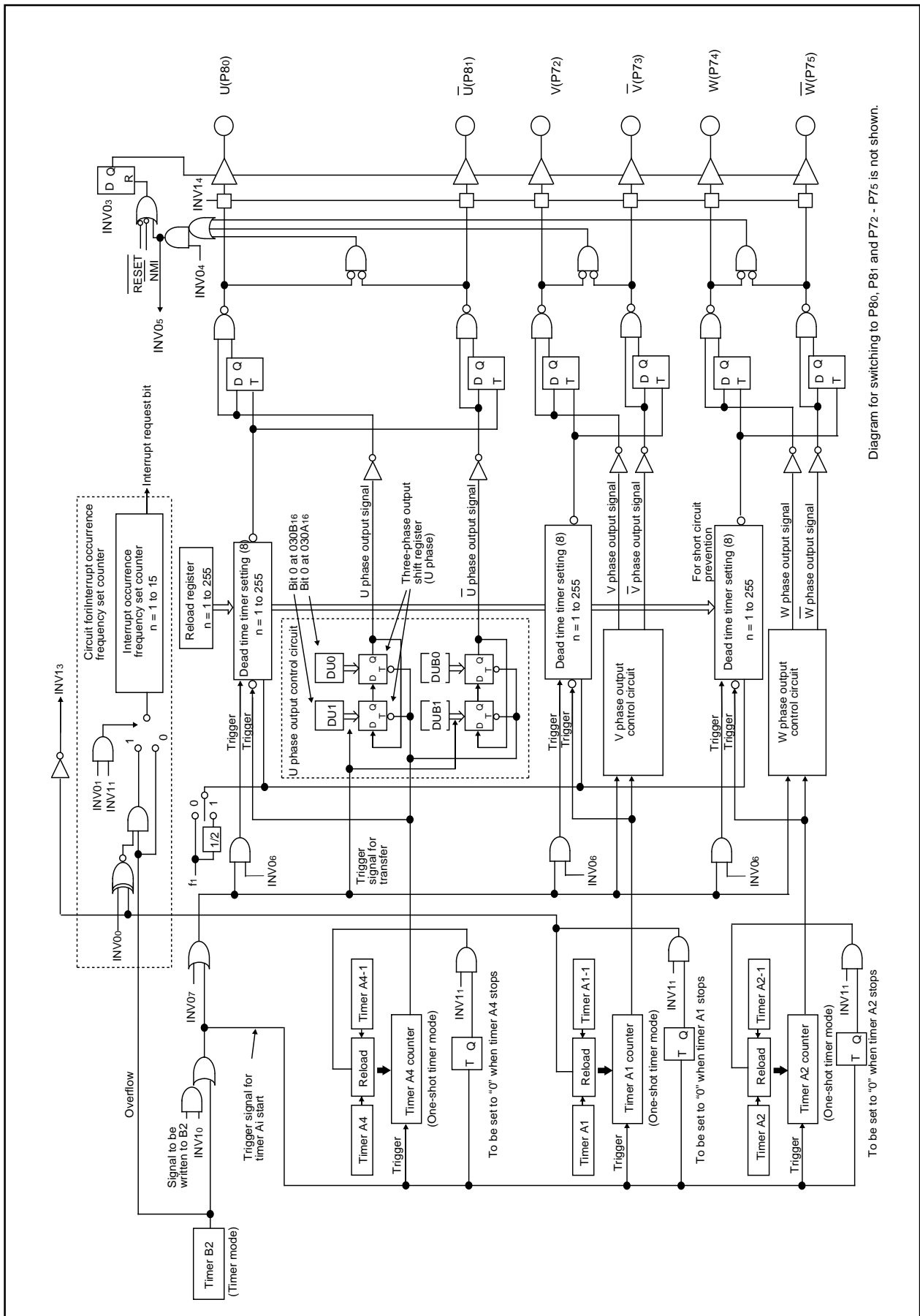


Figure 1.15.5. Block diagram for three-phase waveform mode

## Triangular wave modulation

To generate a PWM waveform of triangular wave modulation, set "0" in the modulation mode select bit (bit 6 at 0308<sub>16</sub>). Also, set "1" in the timers A4-1, A1-1, A2-1 control bit (bit 1 at 0309<sub>16</sub>). In this mode, each of timers A4, A1, and A2 has two timer registers, and alternately reloads the timer register's content to the counter every time timer B2 counter's content becomes 0000<sub>16</sub>. If "0" is set to the effective interrupt output specification bit (bit 1 at 0308<sub>16</sub>), the frequency of interrupt requests that occur every time the timer B2 counter's value becomes 0000<sub>16</sub> can be set by use of the timer B2 counter (030D<sub>16</sub>) for setting the frequency of interrupt occurrences. The frequency of occurrences is given by (setting; setting  $\pi$  0).

Setting "1" in the effective interrupt output specification bit (bit 1 at 0308<sub>16</sub>) provides the means to choose which value of the timer A1 reload control signal to use, "0" or "1", to cause timer B2's interrupt request to occur. To make this selection, use the effective interrupt output polarity selection bit (bit 0 at 0308<sub>16</sub>).

An example of U phase waveform is shown in Figure 1.15.6, and the description of waveform output workings is given below. Set "1" in DU0 (bit 0 at 030A<sub>16</sub>). And set "0" in DUB0 (bit 1 at 030A<sub>16</sub>). In addition, set "0" in DU1 (bit 0 at 030B<sub>16</sub>) and set "1" in DUB1 (bit 1 at 030B<sub>16</sub>). Also, set "0" in the effective interrupt output specification bit (bit 1 at 0308<sub>16</sub>) to set a value in the timer B2 interrupt occurrence frequency set counter. By this setting, a timer B2 interrupt occurs when the timer B2 counter's content becomes 0000<sub>16</sub> as many as (setting) times. Furthermore, set "1" in the effective interrupt output specification bit (bit 1 at 0308<sub>16</sub>), set in the effective interrupt polarity select bit (bit 0 at 0308<sub>16</sub>) and set "1" in the interrupt occurrence frequency set counter (030D<sub>16</sub>). These settings cause a timer B2 interrupt to occur every other interval when the U phase output goes to "H".

When the timer B2 counter's content becomes 0000<sub>16</sub>, timer A4 starts outputting one-shot pulses. In this instance, the content of DU1 (bit 0 at 030B<sub>16</sub>) and that of DU0 (bit 0 at 030A<sub>16</sub>) are set in the three-phase output shift register (U phase), the content of DUB1 (bit 1 at 030B<sub>16</sub>) and that of DUB0 (bit 1 at 030A<sub>16</sub>) are set in the three-phase shift register ( $\bar{U}$  phase). After triangular wave modulation mode is selected, however, no setting is made in the shift register even though the timer B2 counter's content becomes 0000<sub>16</sub>.

The value of DU0 and that of DUB0 are output to the U terminal (P80) and to the  $\bar{U}$  terminal (P81) respectively. When the timer A4 counter counts the value written to timer A4 (034F<sub>16</sub>, 034E<sub>16</sub>) and when timer A4 finishes outputting one-shot pulses, the three-phase shift register's content is shifted one position, and the value of DU1 and that of DUB1 are output to the U phase output signal and to  $\bar{U}$  phase output signal respectively. At this time, one-shot pulses are output from the timer for setting dead time used for setting the time over which the "L" level of the U phase waveform doesn't lap over the "L" level of the  $\bar{U}$  phase waveform, which has the opposite phase of the former. The U phase waveform output that started from the "H" level keeps its level until the timer for setting dead time finishes outputting one-shot pulses even though the three-phase output shift register's content changes from "1" to "0" by the effect of the one-shot pulses. When the timer for setting dead time finishes outputting one-shot pulses, "0" already shifted in the three-phase shift register goes effective, and the U phase waveform changes to the "L" level. When the timer B2 counter's content becomes 0000<sub>16</sub>, the timer A4 counter starts counting the value written to timer A4-1 (0307<sub>16</sub>, 0306<sub>16</sub>), and starts outputting one-shot pulses. When timer A4 finishes outputting one-shot pulses, the three-phase shift register's content is shifted one position, but if the three-phase output shift register's content changes from "0" to "1" as a result of the shift, the output level changes from "L" to "H" without waiting for the timer for setting dead time to finish outputting one-shot pulses. A U phase waveform is generated by these workings repeatedly. With the exception that the three-phase output shift register on the U phase side is used, the workings in generating a U phase waveform, which has the opposite phase of the U phase waveform, are the same as in generating a U

### Three-phase motor control timers' functions

phase waveform. In this way, a waveform can be picked up from the applicable terminal in a manner in which the "L" level of the U phase waveform doesn't lap over that of the U phase waveform, which has the opposite phase of the U phase waveform. The width of the "L" level too can be adjusted by varying the values of timer B2, timer A4, and timer A4-1. In dealing with the V and W phases, and  $\bar{V}$  and  $\bar{W}$  phases, the latter are of opposite phase of the former, have the corresponding timers work similarly to dealing with the U and  $\bar{U}$  phases to generate an intended waveform.

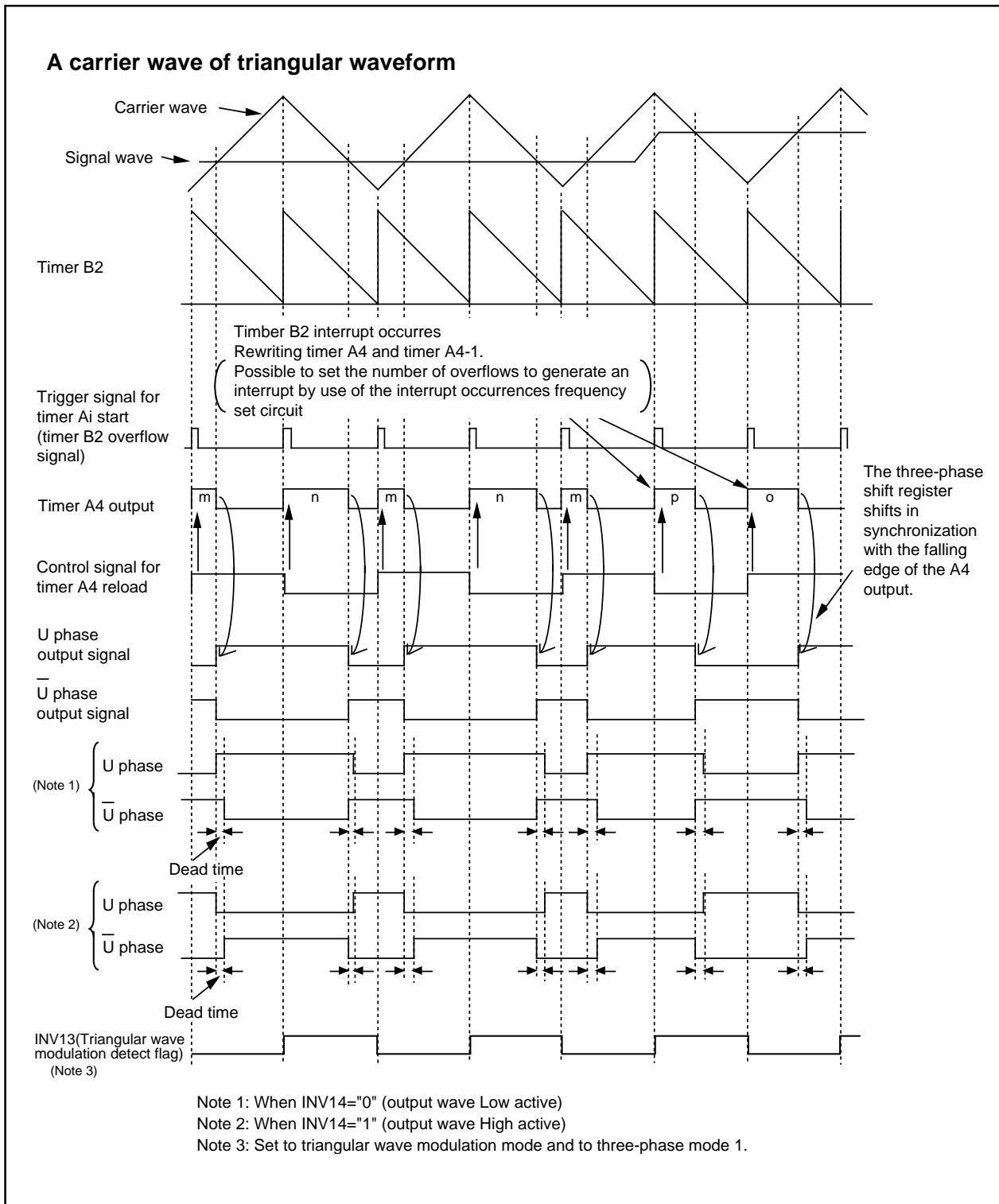


Figure 1.15.6. Timing chart of operation (1)

## Three-phase motor control timers' functions

Assigning certain values to DU0 (bit 0 at 030A16) and DUB0 (bit 1 at 030A16), and to DU1 (bit 0 at 030B16) and DUB1 (bit 1 at 030B16) allows you to output the waveforms as shown in Figure 1.15.7, that is, to output the U phase alone, to fix  $\bar{U}$  phase to "H", to fix the U phase to "H," or to output the  $\bar{U}$  phase alone.

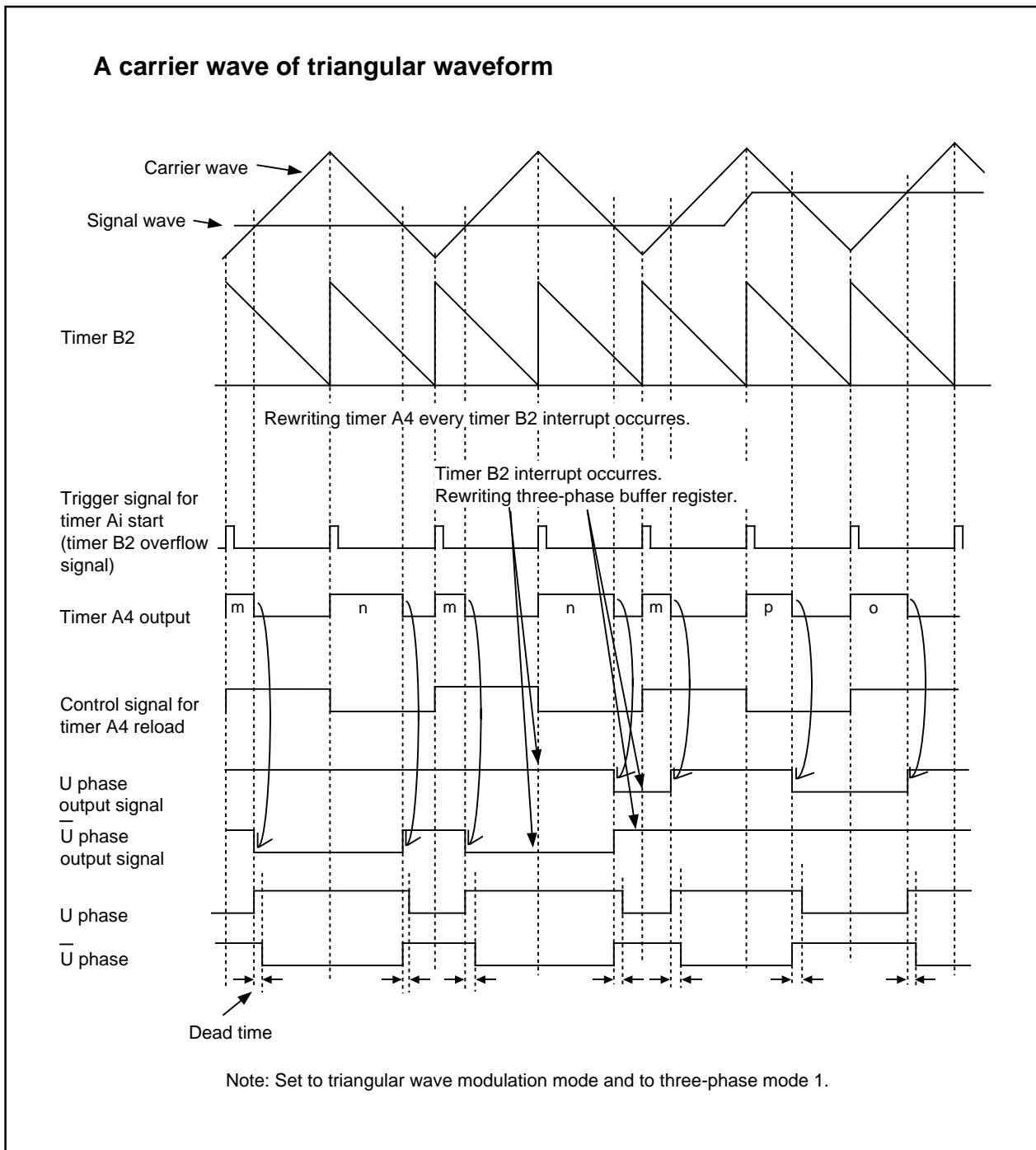


Figure 1.15.7. Timing chart of operation (2)

## Sawtooth modulation

To generate a PWM waveform of sawtooth wave modulation, set "1" in the modulation mode select bit (bit 6 at 0308<sub>16</sub>). Also, set "0" in the timers A4, A1, and A2-1 control bit (bit 1 at 0309<sub>16</sub>). In this mode, the timer registers of timers A4, A1, and of A2 comprise conventional timers A4, A1, and A2 alone, and reload the corresponding timer register's content to the counter every time the timer B2 counter's content becomes 0000<sub>16</sub>. The effective interrupt output specification bit (bit 1 at 0308<sub>16</sub>) and the effective interrupt output polarity select bit (bit 0 at 0308<sub>16</sub>) go nullified.

An example of U phase waveform is shown in Figure 1.15.8, and the description of waveform output workings is given below. Set "1" in DU0 (bit 0 at 030A<sub>16</sub>), and set "0" in DUB0 (bit 1 at 030A<sub>16</sub>). In addition, set "0" in DU1 (bit 0 at 030B<sub>16</sub>) and set "1" in DUB1 (bit 1 at 030B<sub>16</sub>).

When the timer B2 counter's content becomes 0000<sub>16</sub>, timer B2 generates an interrupt, and timer A4 starts outputting one-shot pulses at the same time. In this instance, the contents of the three-phase buffer registers DU1 and DU0 are set in the three-phase output shift register (U phase), and the contents of DUB1 and DUB0 are set in the three-phase output register (U phase). After this, the three-phase buffer register's content is set in the three-phase shift register every time the timer B2 counter's content becomes 0000<sub>16</sub>.

The value of DU0 and that of DUB0 are output to the U terminal (P80) and to the  $\bar{U}$  terminal (P81) respectively. When the timer A4 counter counts the value written to timer A4 (034F<sub>16</sub>, 034E<sub>16</sub>) and when timer A4 finishes outputting one-shot pulses, the three-phase output shift register's content is shifted one position, and the value of DU1 and that of DUB1 are output to the U phase output signal and to the  $\bar{U}$  output signal respectively. At this time, one-shot pulses are output from the timer for setting dead time used for setting the time over which the "L" level of the U phase waveform doesn't lap over the "L" level of the  $\bar{U}$  phase waveform, which has the opposite phase of the former. The U phase waveform output that started from the "H" level keeps its level until the timer for setting dead time finishes outputting one-shot pulses even though the three-phase output shift register's content changes from "1" to "0" by the effect of the one-shot pulses. When the timer for setting dead time finishes outputting one-shot pulses, 0 already shifted in the three-phase shift register goes effective, and the U phase waveform changes to the "L" level. When the timer B2 counter's content becomes 0000<sub>16</sub>, the contents of the three-phase buffer registers DU1 and DU0 are set in the three-phase shift register (U phase), and the contents of DUB1 and DUB0 are set in the three-phase shift register ( $\bar{U}$  phase) again.

A U phase waveform is generated by these workings repeatedly. With the exception that the three-phase output shift register on the  $\bar{U}$  phase side is used, the workings in generating a  $\bar{U}$  phase waveform, which has the opposite phase of the U phase waveform, are the same as in generating a U phase waveform. In this way, a waveform can be picked up from the applicable terminal in a manner in which the "L" level of the U phase waveform doesn't lap over that of the  $\bar{U}$  phase waveform, which has the opposite phase of the U phase waveform. The width of the "L" level too can be adjusted by varying the values of timer B2 and timer A4. In dealing with the V and W phases, and  $\bar{V}$  and  $\bar{W}$  phases, the latter are of opposite phase of the former, have the corresponding timers work similarly to dealing with the U and  $\bar{U}$  phases to generate an intended waveform.



Three-phase motor control timers' functions

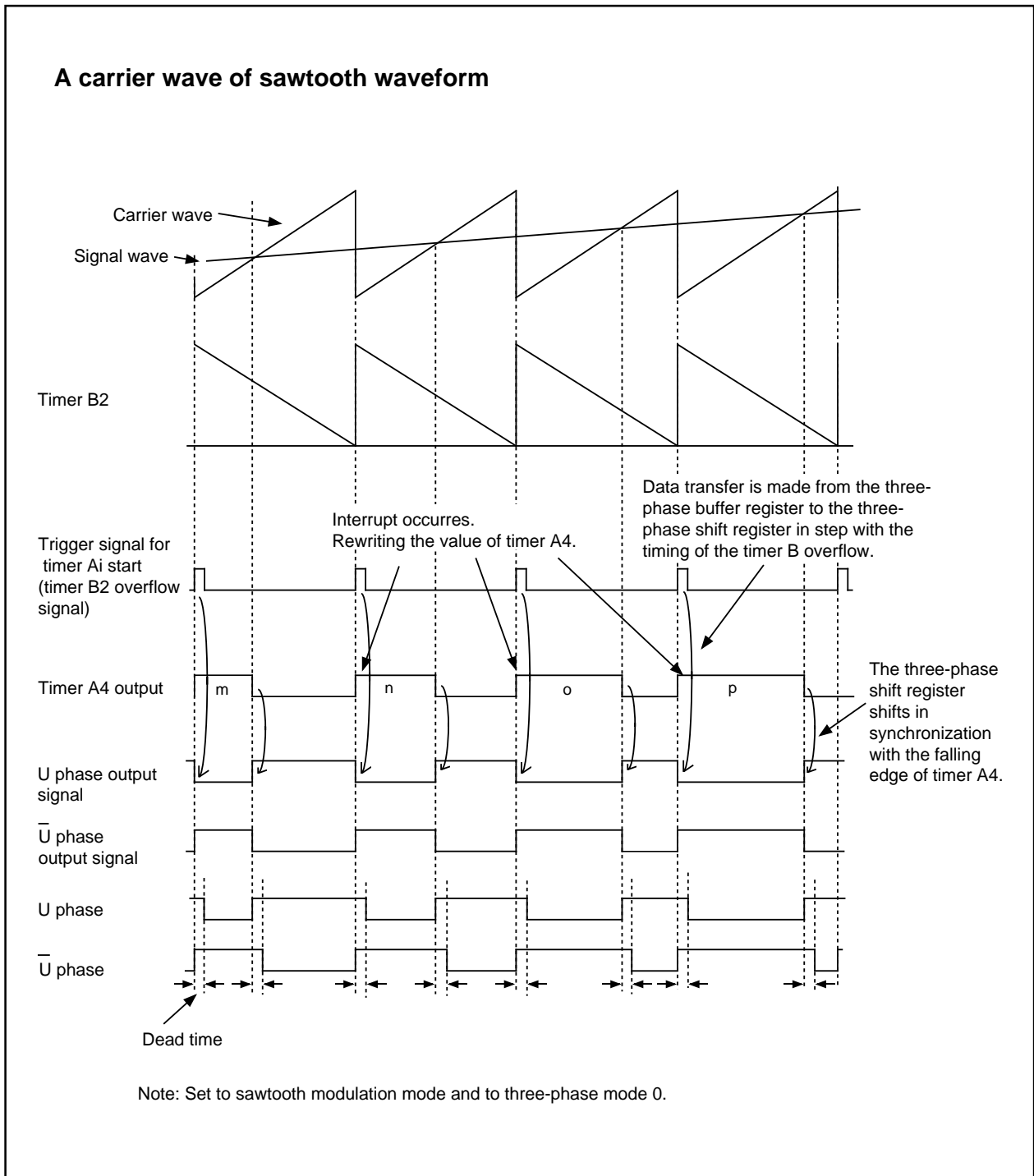


Figure 1.15.8. Timing chart of operation (3)

## Three-phase motor control timers' functions

Setting "1" both in DUB0 and in DUB1 provides a means to output the U phase alone and to fix the  $\bar{U}$  phase output to "H" as shown in Figure 1.15.9.

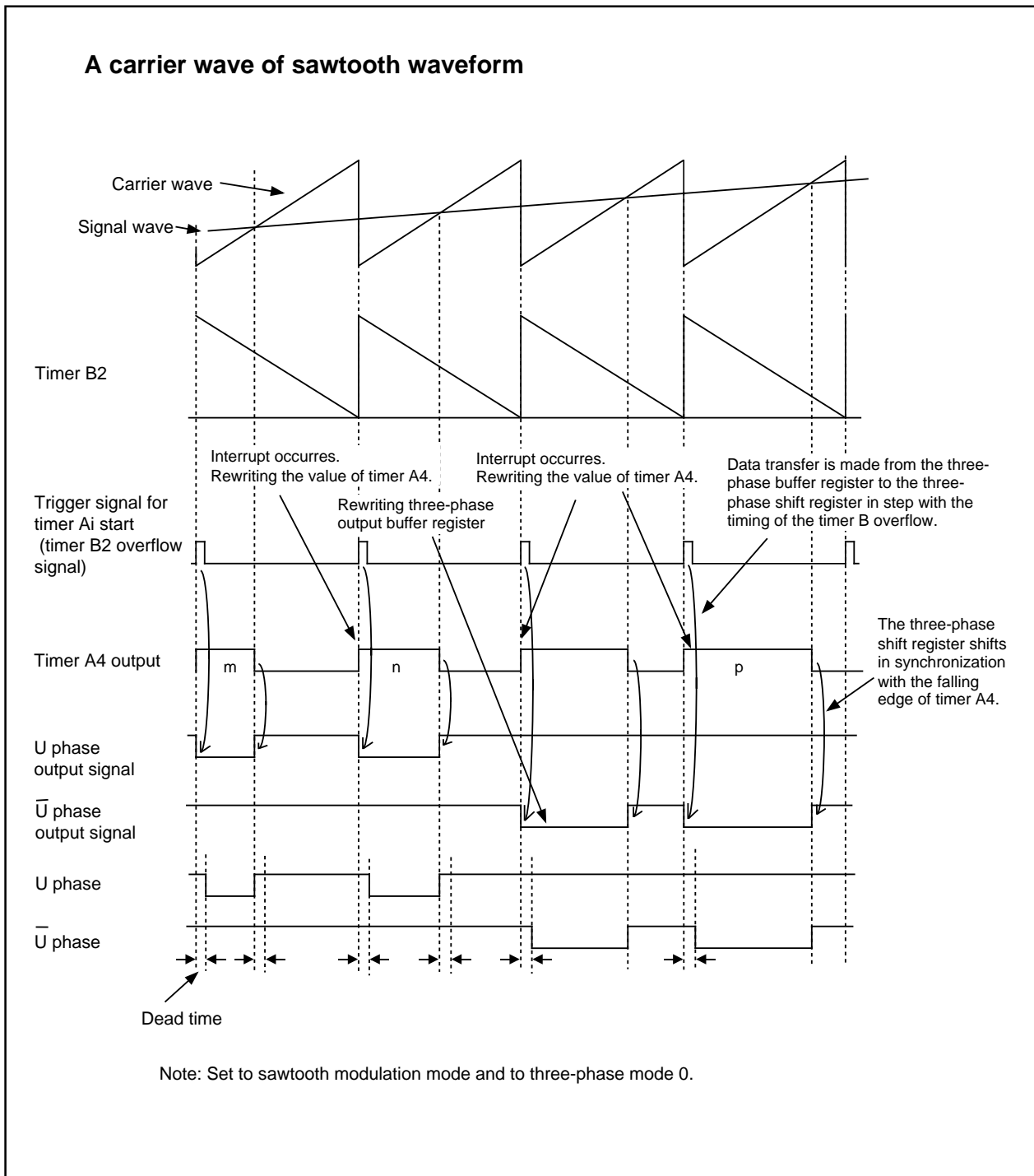


Figure 1.15.9. Timing chart of operation (4)

## Serial I/O

## Serial I/O

Serial I/O is configured as five channels: UART0 to UART4.

## UART0 to 4

UART0 to UART4 each have an exclusive timer to generate a transfer clock, so they operate independently of each other.

Figure 1.16.1 and 1.16.2 show the block diagram of UART<sub>i</sub> (i=0 to 4). Figures 1.16.3 and 1.16.4 show the block diagram of the transmit/receive unit.

UART<sub>i</sub> has two operation modes: a clock synchronous serial I/O mode and a clock asynchronous serial I/O mode (UART mode). The contents of the serial I/O mode select bits (bits 0 to 2 at addresses 0360<sub>16</sub>, 0368<sub>16</sub>, 0338<sub>16</sub>, 0328<sub>16</sub> and 02F8<sub>16</sub>) determine whether UART<sub>i</sub> is used as a clock synchronous serial I/O or as a UART.

Although a few functions are different, UART0 to UART4 have almost the same functions.

UART2 to UART4, in particular, are compliant with the SIM interface with some extra settings added in clock-asynchronous serial I/O mode (Note). It also has the bus collision detection function that generates an interrupt request if the TxD pin and the RxD pin are different in level.

Table 1.16.1 shows the comparison of functions of UART0 to UART4, and Figures 1.16.5 through 1.16.11 show the registers related to UART<sub>i</sub>.

Note: SIM : Subscriber Identity Module

**Table 1.16.1. Comparison of functions of UART0 to UART4**

Function	UART0	UART1	UART2	UART3	UART4
CLK polarity selection	Possible <sup>(Note 1)</sup>	Possible <sup>(Note 1)</sup>	Possible <sup>(Note 1)</sup>	Possible <sup>(Note 1)</sup>	Possible <sup>(Note 1)</sup>
LSB first / MSB first selection	Possible <sup>(Note 1)</sup>	Possible <sup>(Note 1)</sup>	Possible <sup>(Note 2)</sup>	Possible <sup>(Note 2)</sup>	Possible <sup>(Note 2)</sup>
Continuous receive mode selection	Possible <sup>(Note 1)</sup>	Possible <sup>(Note 1)</sup>	Possible <sup>(Note 1)</sup>	Possible <sup>(Note 1)</sup>	Possible <sup>(Note 1)</sup>
Transfer clock output from multiple pins selection	Impossible	Possible <sup>(Note 1)</sup>	Impossible	Impossible	Impossible
Separate $\overline{\text{CTS}}/\overline{\text{RTS}}$ pins	Possible	Impossible	Impossible	Impossible	Impossible
Serial data logic switch	Impossible	Impossible	Possible <sup>(Note 4)</sup>	Possible <sup>(Note 4)</sup>	Possible <sup>(Note 4)</sup>
Sleep mode selection	Possible <sup>(Note 3)</sup>	Possible <sup>(Note 3)</sup>	Impossible	Impossible	Impossible
TxD, RxD I/O polarity switch	Impossible	Impossible	Possible	Possible	Possible
TxD, RxD port output format	CMOS output	CMOS output	N-channel open drain output	CMOS output	CMOS output
Parity error signal output	Impossible	Impossible	Possible <sup>(Note 4)</sup>	Possible <sup>(Note 4)</sup>	Possible <sup>(Note 4)</sup>
Bus collision detection	Impossible	Impossible	Possible	Possible	Possible

Note 1: Only when clock synchronous serial I/O mode.

Note 2: Only when clock synchronous serial I/O mode and 8-bit UART mode.

Note 3: Only when UART mode.

Note 4: Using for SIM interface.

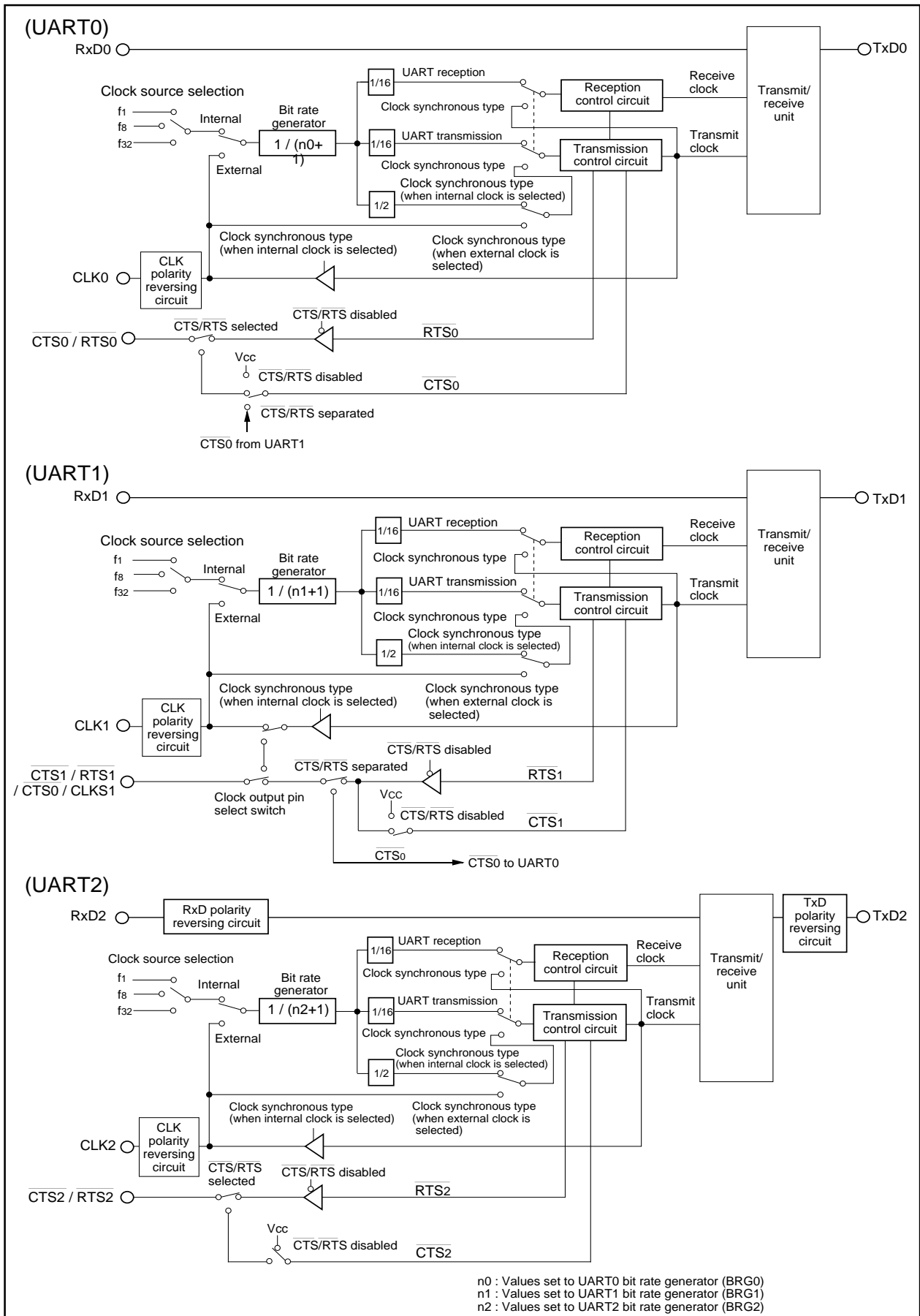


Figure 1.16.1. Block diagram of UARTi (i = 0 to 2)

Serial I/O

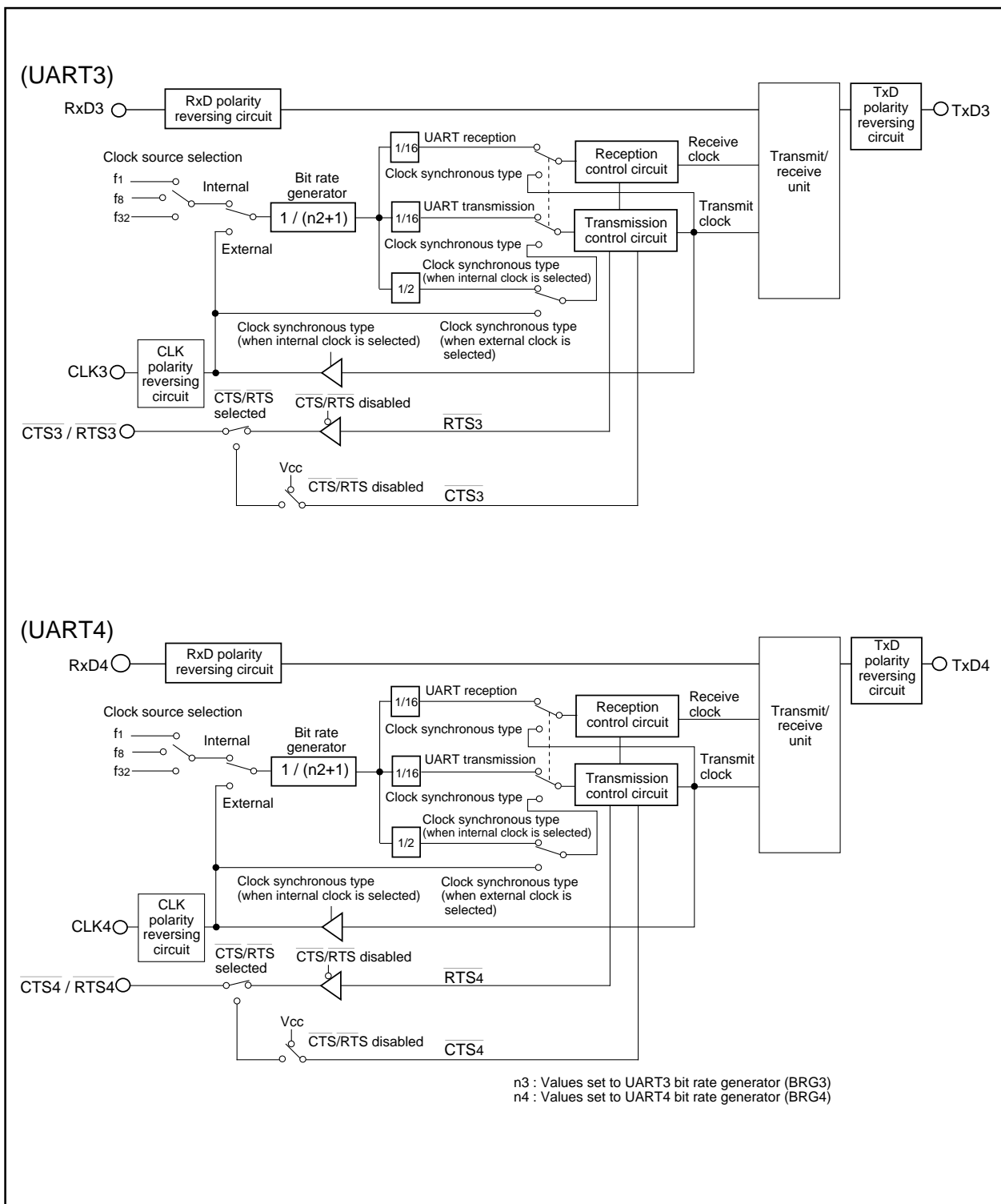


Figure 1.16.2. Block diagram of UARTi (i = 3, 4)

Serial I/O

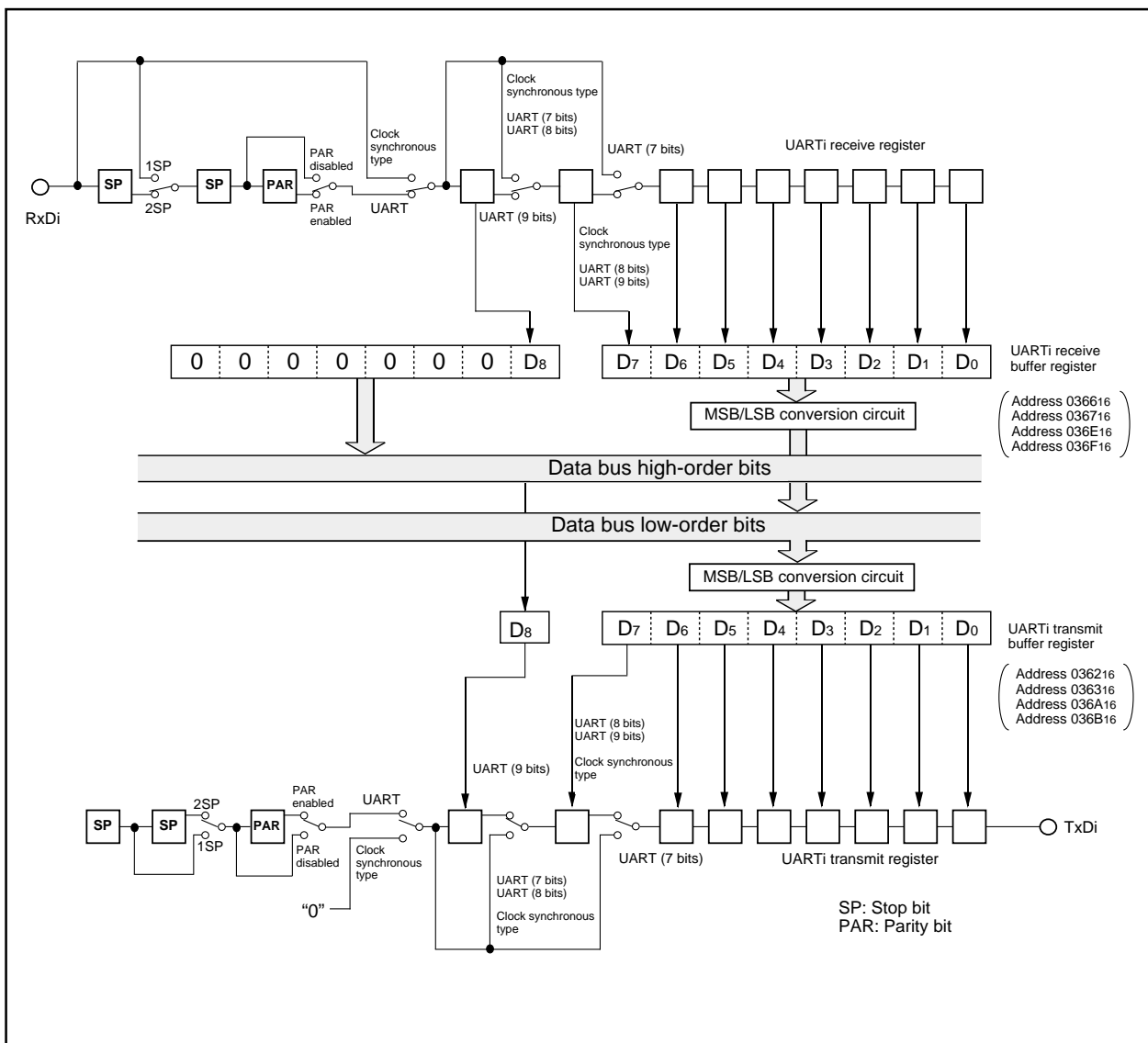
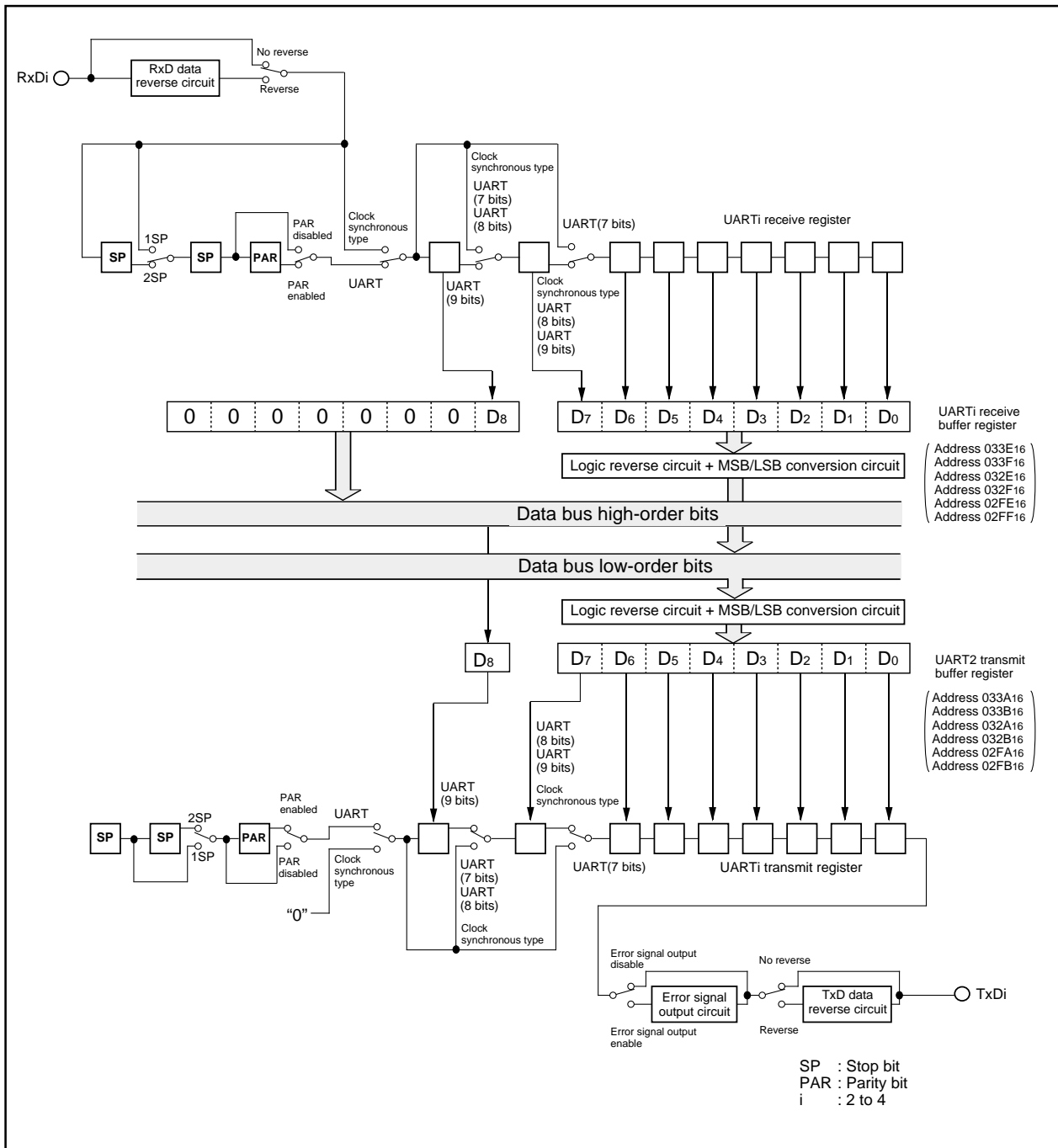


Figure 1.16.3. Block diagram of UARTi (i = 0, 1) transmit/receive unit

## Serial I/O

Figure 1.16.4. Block diagram of UART<sub>i</sub> (i = 2 to 4) transmit/receive unit

## Serial I/O

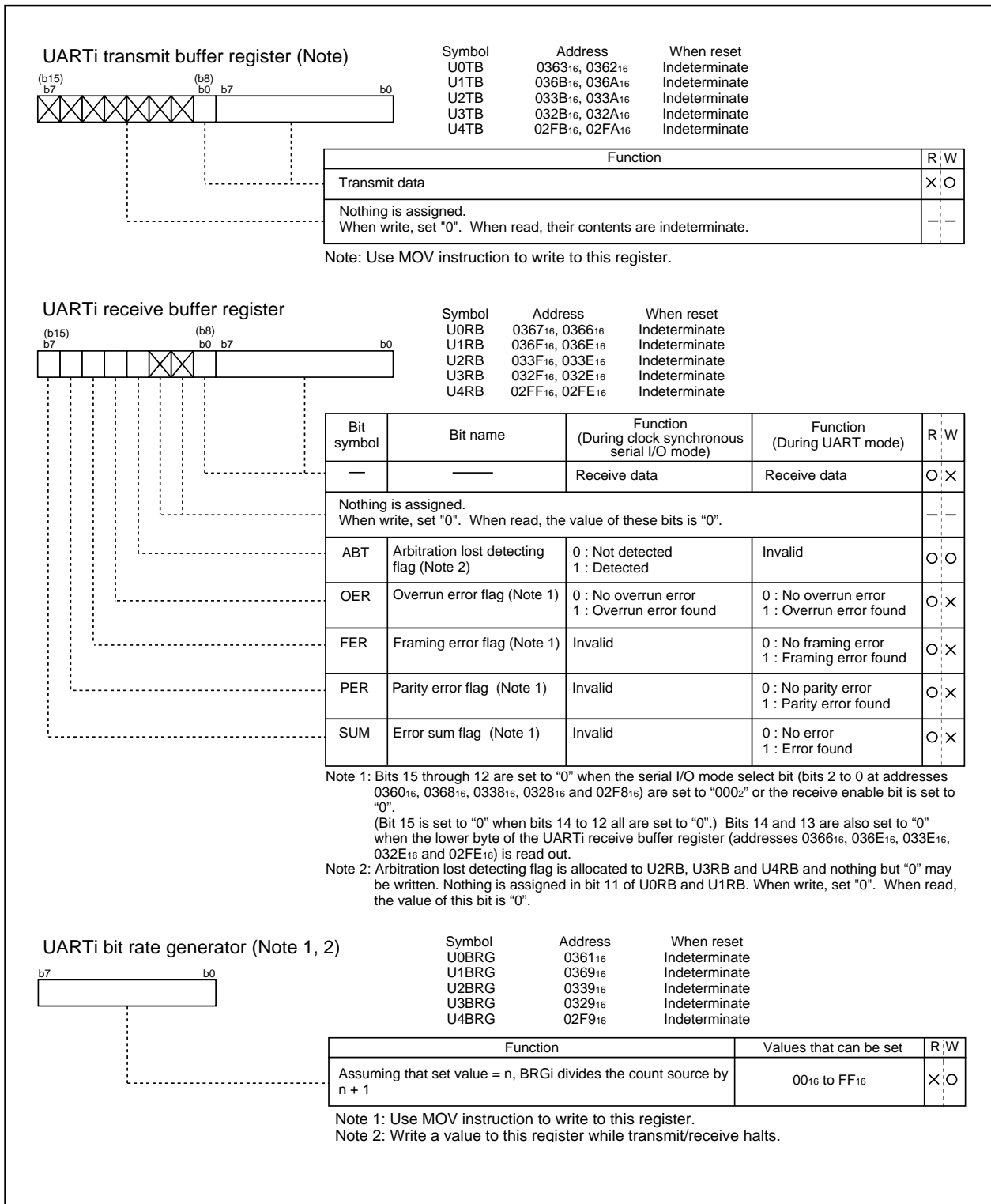


Figure 1.16.5. Serial I/O-related registers (1)



## Serial I/O

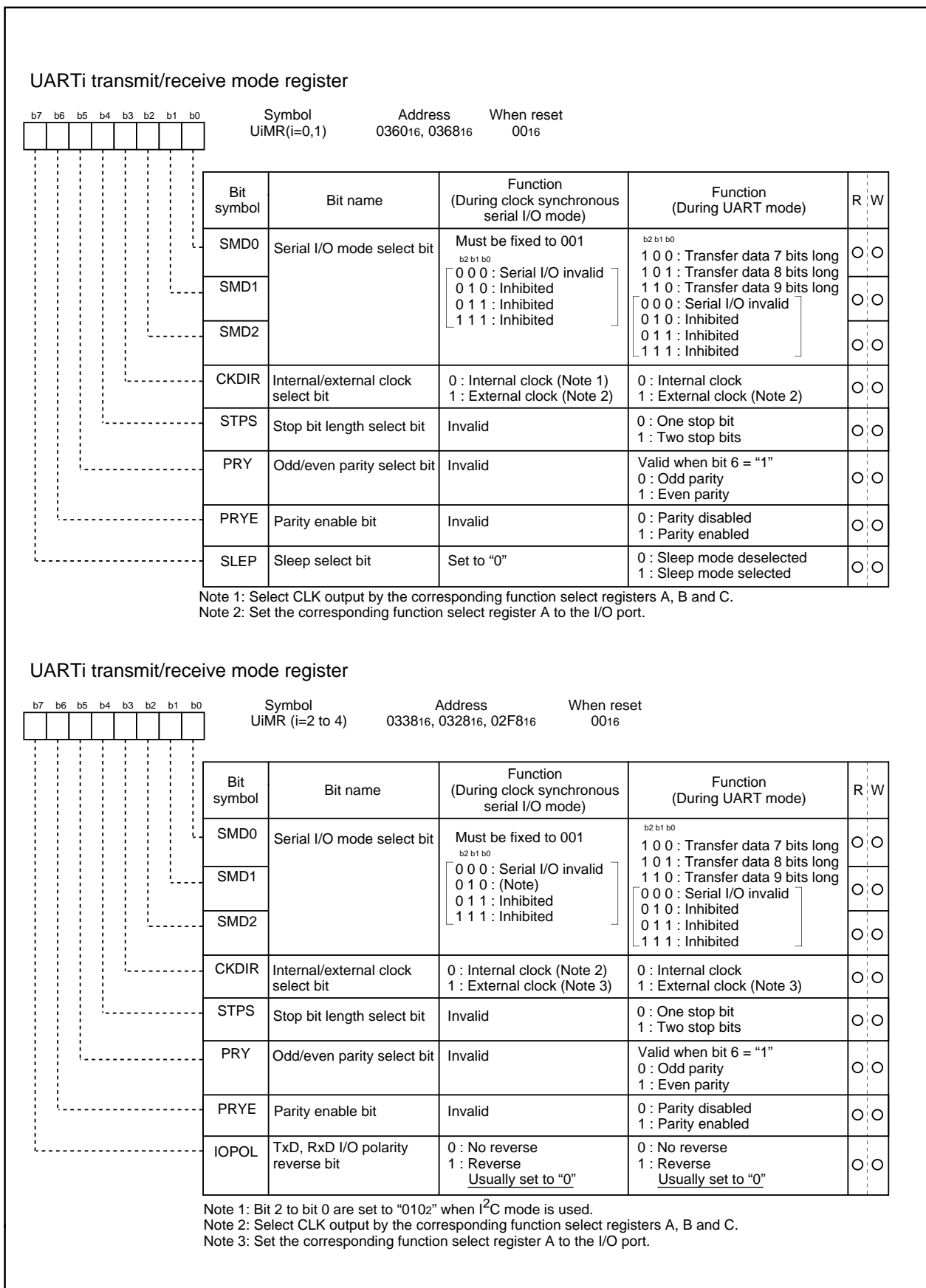


Figure 1.16.6. Serial I/O-related registers (2)

## Serial I/O

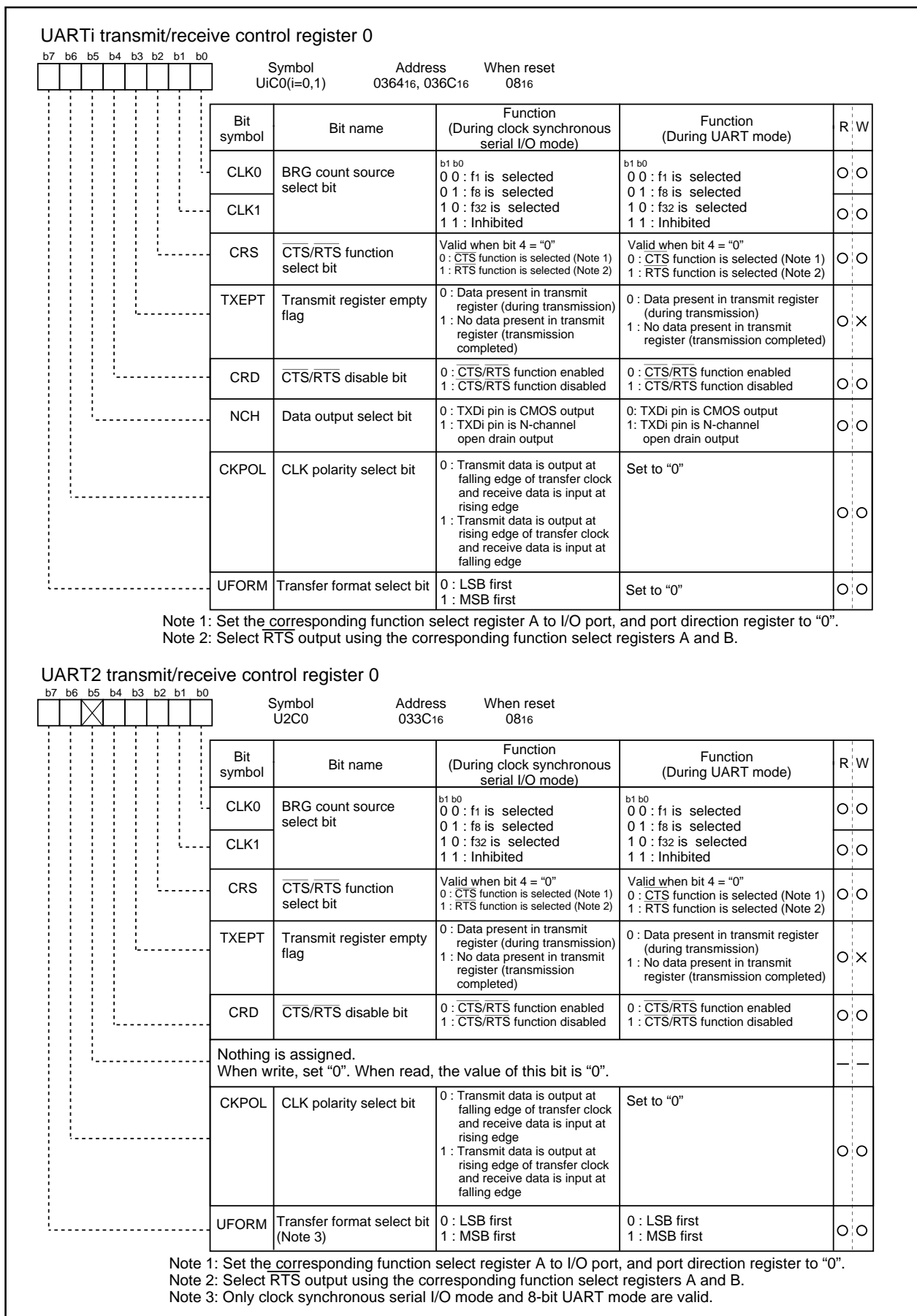


Figure 1.16.7. Serial I/O-related registers (3)

## Serial I/O

UART<sub>i</sub> transmit/receive control register 0

Bit symbol	Bit name	Function (During clock synchronous serial I/O mode)	Function (During UART mode)	R	W
CLK0	BRG count source select bit	b1 b0 0 0 : f1 is selected 0 1 : f8 is selected 1 0 : f32 is selected 1 1 : Inhibited	b1 b0 0 0 : f1 is selected 0 1 : f8 is selected 1 0 : f32 is selected 1 1 : Inhibited	○	○
CLK1				○	○
CRS	CTS/RTS function select bit	Valid when bit 4 = "0" 0 : CTS function is selected (Note 1) 1 : RTS function is selected (Note 2)	Valid when bit 4 = "0" 0 : CTS function is selected (Note 1) 1 : RTS function is selected (Note 2)	○	○
TXEPT	Transmit register empty flag	0 : Data present in transmit register (during transmission) 1 : No data present in transmit register (transmission completed)	0 : Data present in transmit register (during transmission) 1 : No data present in transmit register (transmission completed)	○	×
CRD	CTS/RTS disable bit	0 : CTS/RTS function enabled 1 : CTS/RTS function disabled	0 : CTS/RTS function enabled 1 : CTS/RTS function disabled	○	○
NCH	Data output select bit	0 : TXDi pin is CMOS output 1 : TXDi pin is N-channel open drain output	0 : TXDi pin is CMOS output 1 : TXDi pin is N-channel open drain output	○	○
CKPOL	CLK polarity select bit	0 : Transmit data is output at falling edge of transfer clock and receive data is input at rising edge 1 : Transmit data is output at rising edge of transfer clock and receive data is input at falling edge	Set to "0"	○	○
UFORM	Transfer format select bit (Note 3)	0 : LSB first 1 : MSB first	0 : LSB first 1 : MSB first	○	○

Note 1: Set the corresponding function select register A to I/O port, and port direction register to "0".  
 Note 2: Select RTS output using the corresponding function select registers A and B.  
 Note 3: Valid only in clock synchronous serial I/O mode and 8 bits UART mode.

Figure 1.16.8. Serial I/O-related registers (4)

## Serial I/O

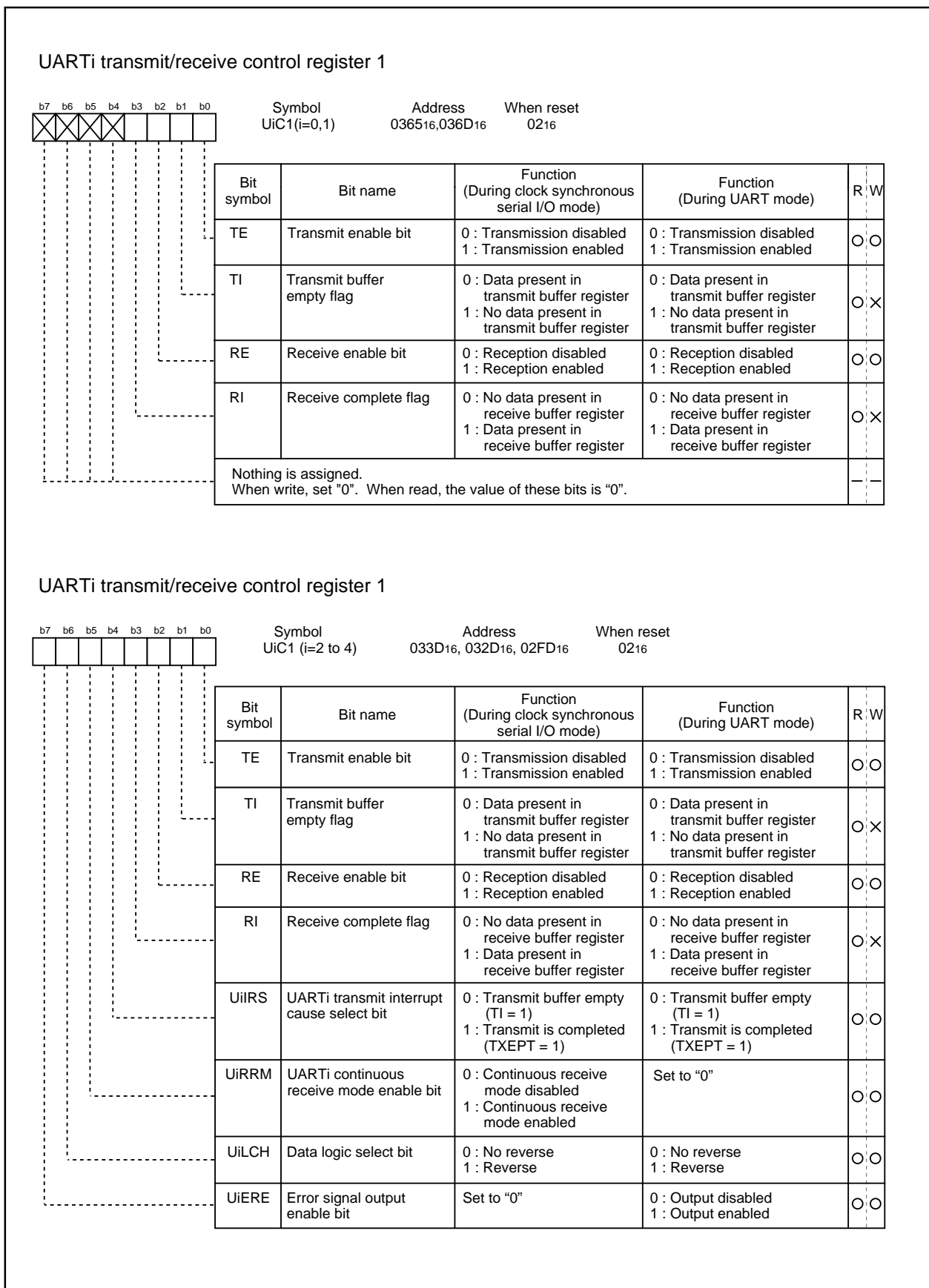


Figure 1.16.9. Serial I/O-related registers (5)

## Serial I/O

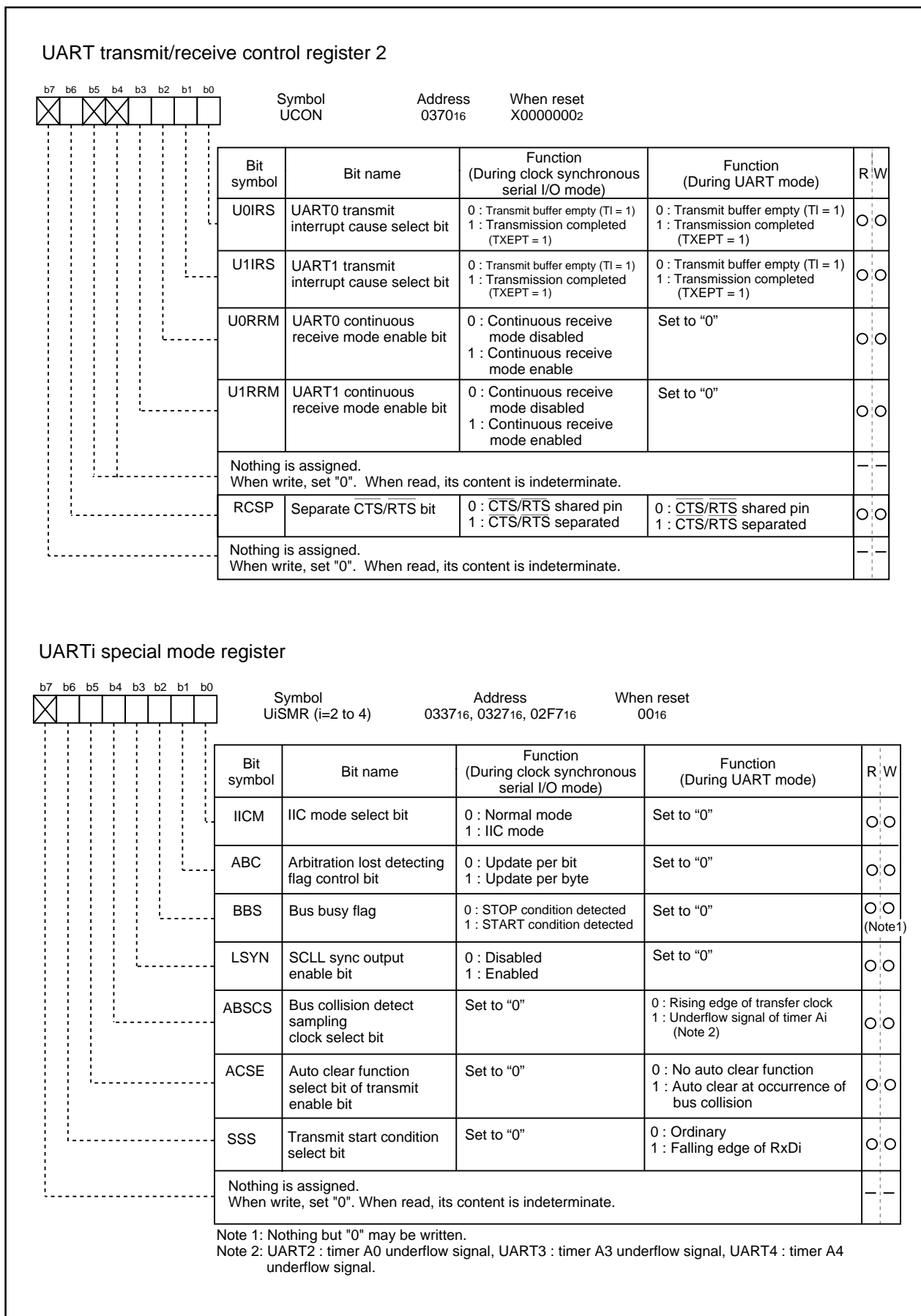


Figure 1.16.10. Serial I/O-related registers (6)

## Serial I/O

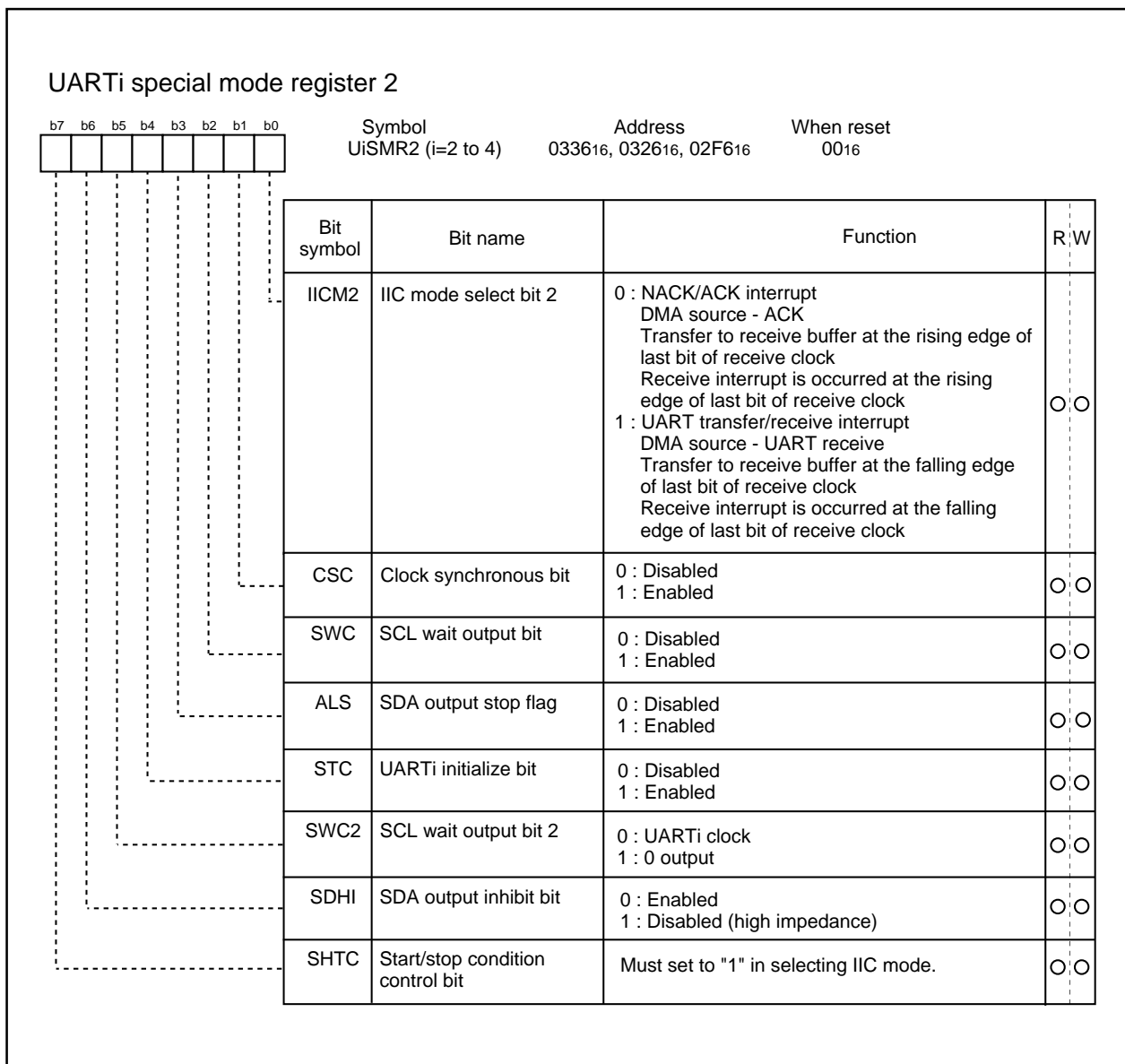


Figure 1.16.11. Serial I/O-related registers (7)

## Serial I/O

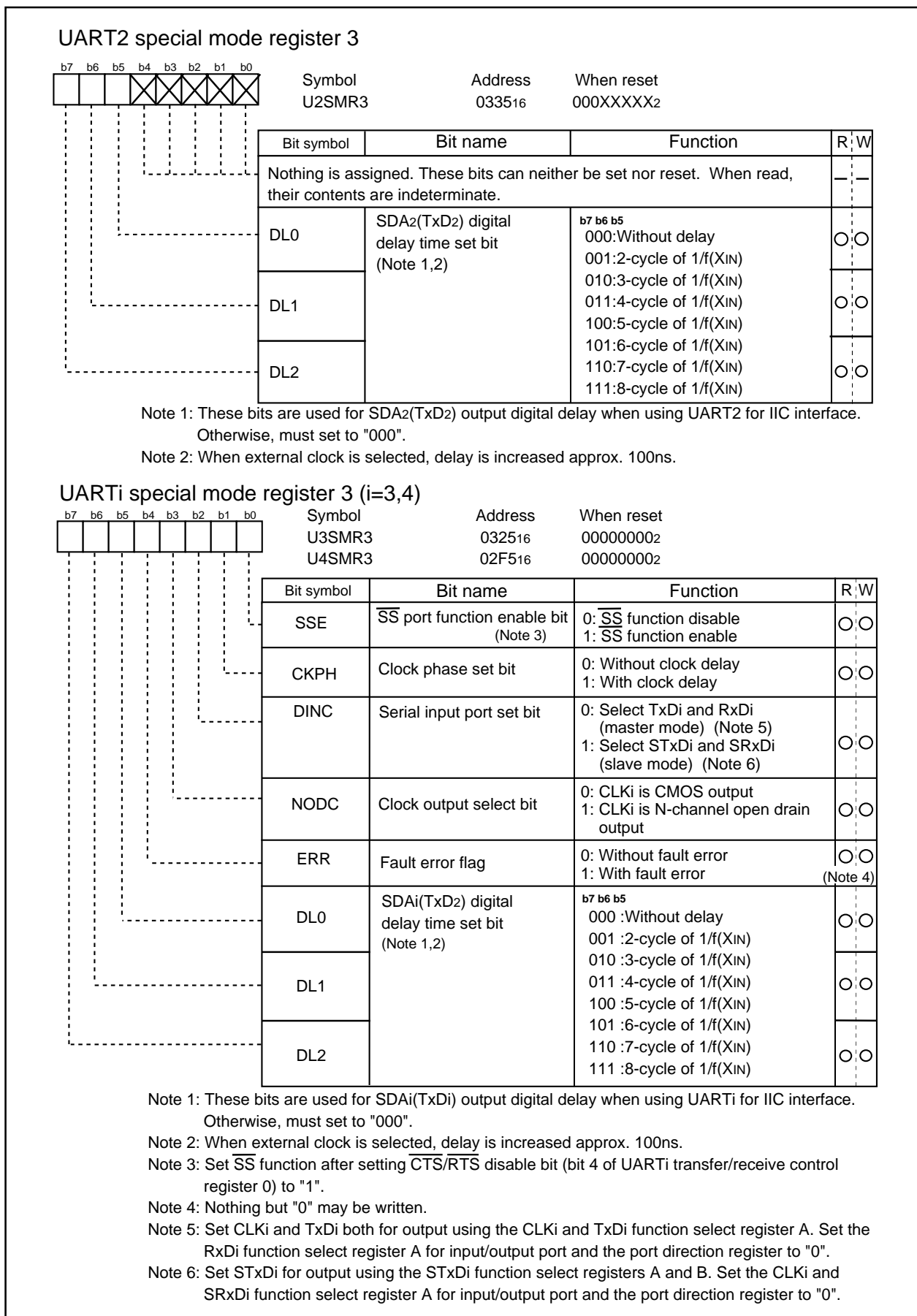


Figure 1.16.12. Serial I/O-related registers (8)

## Clock synchronous serial I/O mode

**(1) Clock synchronous serial I/O mode**

The clock synchronous serial I/O mode uses a transfer clock to transmit and receive data. Tables 1.17.1 and 1.17.2 list the specifications of the clock synchronous serial I/O mode. Figure 1.17.1 shows the UARTi transmit/receive mode register.

**Table 1.17.1. Specifications of clock synchronous serial I/O mode (1)**

Item	Specification
Transfer data format	<ul style="list-style-type: none"> <li>Transfer data length: 8 bits</li> </ul>
Transfer clock	<ul style="list-style-type: none"> <li>When internal clock is selected (bit 3 at addresses 0360<sub>16</sub>, 0368<sub>16</sub>, 0338<sub>16</sub>, 0328<sub>16</sub>, 02F8<sub>16</sub> = "0") : <math>f_i / 2(n+1)</math> (Note) <math>f_i = f_1, f_8, f_{32}</math> <ul style="list-style-type: none"> <li>– CLK is selected by the corresponding port function select register, peripheral function select register and peripheral subfunction select register.</li> </ul> </li> <li>When external clock is selected (bit 3 at addresses 0360<sub>16</sub>, 0368<sub>16</sub>, 0338<sub>16</sub>, 0328<sub>16</sub>, 02F8<sub>16</sub> = "1") : Input from CLKi pin <ul style="list-style-type: none"> <li>– Set the corresponding function select register A to I/O port</li> </ul> </li> </ul>
Transmission/reception control	<ul style="list-style-type: none"> <li>CTS function/RTS function/<math>\overline{\text{CTS}}</math>, <math>\overline{\text{RTS}}</math> function chosen to be invalid</li> </ul>
Transmission start condition	<ul style="list-style-type: none"> <li>To start transmission, the following requirements must be met: <ul style="list-style-type: none"> <li>– Transmit enable bit (bit 0 at addresses 0365<sub>16</sub>, 036D<sub>16</sub>, 033D<sub>16</sub>, 032D<sub>16</sub>, 02FD<sub>16</sub>) = "1"</li> <li>– Transmit buffer empty flag (bit 1 at addresses 0365<sub>16</sub>, 036D<sub>16</sub>, 033D<sub>16</sub>, 032D<sub>16</sub>, 02FD<sub>16</sub>) = "0"</li> <li>– When <math>\overline{\text{CTS}}</math> function selected, <math>\overline{\text{CTS}}</math> input level = "L"</li> <li>– TxD output selected by the corresponding function select register A, B and C.</li> </ul> </li> <li>Furthermore, if external clock is selected, the following requirements must also be met: <ul style="list-style-type: none"> <li>– CLKi polarity select bit (bit 6 at addresses 0364<sub>16</sub>, 036C<sub>16</sub>, 033C<sub>16</sub>, 032C<sub>16</sub>, 02FC<sub>16</sub>) = "0": CLKi input level = "H"</li> <li>– CLKi polarity select bit (bit 6 at addresses 0364<sub>16</sub>, 036C<sub>16</sub>, 033C<sub>16</sub>, 032C<sub>16</sub>, 02FC<sub>16</sub>) = "1": CLKi input level = "L"</li> </ul> </li> </ul>
Reception start condition	<ul style="list-style-type: none"> <li>To start reception, the following requirements must be met: <ul style="list-style-type: none"> <li>– Receive enable bit (bit 2 at addresses 0365<sub>16</sub>, 036D<sub>16</sub>, 033D<sub>16</sub>, 032D<sub>16</sub>, 02FD<sub>16</sub>) = "1"</li> <li>– Transmit enable bit (bit 0 at addresses 0365<sub>16</sub>, 036D<sub>16</sub>, 033D<sub>16</sub>, 032D<sub>16</sub>, 02FD<sub>16</sub>) = "1"</li> <li>– Transmit buffer empty flag (bit 1 at addresses 0365<sub>16</sub>, 036D<sub>16</sub>, 033D<sub>16</sub>, 032D<sub>16</sub>, 02FD<sub>16</sub>) = "0"</li> </ul> </li> <li>Furthermore, if external clock is selected, the following requirements must also be met: <ul style="list-style-type: none"> <li>– CLKi polarity select bit (bit 6 at addresses 0364<sub>16</sub>, 036C<sub>16</sub>, 033C<sub>16</sub>, 032C<sub>16</sub>, 02FC<sub>16</sub>) = "0": CLKi input level = "H"</li> <li>– CLKi polarity select bit (bit 6 at addresses 0364<sub>16</sub>, 036C<sub>16</sub>, 033C<sub>16</sub>, 032C<sub>16</sub>, 02FC<sub>16</sub>) = "1": CLKi input level = "L"</li> </ul> </li> </ul>
Interrupt request generation timing	<ul style="list-style-type: none"> <li>When transmitting <ul style="list-style-type: none"> <li>– Transmit interrupt cause select bit (bits 0, 1 at address 0370<sub>16</sub>, bit 4 at address 033D<sub>16</sub>, 032D<sub>16</sub>, 02FD<sub>16</sub>) = "0": Interrupts requested when data transfer from UARTi transfer buffer register to UARTi transmit register is completed</li> <li>– Transmit interrupt cause select bit (bits 0, 1 at address 0370<sub>16</sub>, bit 4 at address 033D<sub>16</sub>, 032D<sub>16</sub>, 02FD<sub>16</sub>) = "1": Interrupts requested when data transmission from UARTi transfer register is completed</li> </ul> </li> <li>When receiving <ul style="list-style-type: none"> <li>– Interrupts requested when data transfer from UARTi receive register to UARTi receive buffer register is completed</li> </ul> </li> </ul>

Note : "n" denotes the value 00<sub>16</sub> to FF<sub>16</sub> that is set to the UART bit rate generator.



## Clock synchronous serial I/O mode

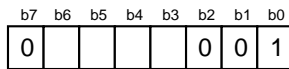
Table 1.17.2. Specifications of clock synchronous serial I/O mode (2)

Item	Specification
Error detection	<ul style="list-style-type: none"> <li>• Overrun error (Note 1) This error occurs when the next data is ready before contents of UARTi receive buffer register are read out</li> </ul>
Select function	<ul style="list-style-type: none"> <li>• CLK polarity selection Whether transmit data is output/input at the rising edge or falling edge of the transfer clock can be selected</li> <li>• LSB first/MSB first selection Whether transmission/reception begins with bit 0 or bit 7 can be selected</li> <li>• Continuous receive mode selection Reception is enabled simultaneously by a read from the receive buffer register</li> <li>• Transfer clock output from multiple pins selection (UART1) (Note 2) UART1 transfer clock can be chosen by software to be output from one of the two pins set</li> <li>• Separate CTS/RTS pins (UART0) (Note 2) UART0 CTS and RTS pins each can be assigned to separate pins</li> <li>• Switching serial data logic (UART2 to UART4) Whether to reverse data in writing to the transmission buffer register or reading the reception buffer register can be selected.</li> <li>• TxD, RxD I/O polarity reverse (UART2 to UART4) This function is reversing TxD port output and RxD port input. All I/O data level is reversed.</li> </ul>

Note 1: If an overrun error occurs, the UARTi receive buffer will have the next data written in. Note also that the UARTi receive interrupt request bit will not change.

Note 2: The transfer clock output from multiple pins and the separate CTS/RTS pins functions cannot be selected simultaneously.

## Clock synchronous serial I/O mode

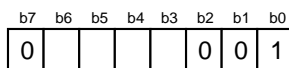
UART<sub>i</sub> transmit/receive mode registers

Symbol  
UiMR(i=0,1)      Address  
0360<sub>16</sub>, 0368<sub>16</sub>      When reset  
00<sub>16</sub>

Bit symbol	Bit name	Function	R/W
SMD0	Serial I/O mode select bit	b <sub>2</sub> b <sub>1</sub> b <sub>0</sub> 0 0 1 : Clock synchronous serial I/O mode	○ ○
SMD1			○ ○
SMD2			○ ○
CKDIR	Internal/external clock select bit	0 : Internal clock (Note 1) 1 : External clock (Note 2)	○ ○
STPS	Invalid in clock synchronous serial I/O mode		○ ○
PRY			○ ○
PRYE			○ ○
SLEP	0 (Set to "0" in clock synchronous serial I/O mode)		○ ○

Note 1: Select CLK output by the corresponding function select registers A, B and C.

Note 2: Set the corresponding function select register A to the I/O port.

UART<sub>2</sub> transmit/receive mode register

Symbol  
UiMR (i=2 to 4)      Address  
0338<sub>16</sub>, 0328<sub>16</sub>, 02F8<sub>16</sub>      When reset  
00<sub>16</sub>

Bit symbol	Bit name	Function	R/W
SMD0	Serial I/O mode select bit	b <sub>2</sub> b <sub>1</sub> b <sub>0</sub> 0 0 1 : Clock synchronous serial I/O mode	○ ○
SMD1			○ ○
SMD2			○ ○
CKDIR	Internal/external clock select bit	0 : Internal clock (Note 2) 1 : External clock (Note 3)	○ ○
STPS	Invalid in clock synchronous serial I/O mode		○ ○
PRY			○ ○
PRYE			○ ○
IOPOL	TxD, RxD I/O polarity reverse bit (Note 1)	0 : No reverse 1 : Reverse	○ ○

Note 1: Usually set to "0".

Note 2: Select CLK output by the corresponding function select registers A, B and C.

Note 3: Set the corresponding function select register A to the I/O port.

Figure 1.17.1. UART<sub>i</sub> transmit/receive mode register in clock synchronous serial I/O mode

## Clock synchronous serial I/O mode

Table 1.17.3 lists the functions of the input/output pins during clock synchronous serial I/O mode. This table shows the pin functions when the transfer clock output from multiple pins and the separate  $\overline{\text{CTS}}$ / $\overline{\text{RTS}}$  pins functions are not selected. Note that for a period from when the UARTi operation mode is selected to when transfer starts, the TxDi pin outputs a "H". (If the N-channel open drain is selected, this pin is in floating state.)

**Table 1.17.3. Input/output pin functions in clock synchronous serial I/O mode**

Pin name	Function	Method of selection
TxDi (P63, P67, P70, P92, P96)	Serial data output (Note 1)	(Outputs dummy data when performing reception only)
RxDi (P62, P66, P71, P91, P97)	Serial data input (Note 2)	Port P62, P66, P71, P91 and P97 direction register (bits 2 and 6 at address 03C216, bit 1 at address 03C316, bit 1 and 7 at address 03C716) = "0" (Can be used as an input port when performing transmission only)
CLKi (P61, P65, P72, P90, P95)	Transfer clock output (Note 1)	Internal/external clock select bit (bit 3 at addresses 036016, 036816, 033816, 032816, 02F816) = "0"
	Transfer clock input (Note 2)	Internal/external clock select bit (bit 3 at addresses 036016, 036816, 033816, 032816, 02F816) = "1" Port P61, P65, P72, P90 and P95 direction register (bits 1 and 5 at address 03C216, bit 2 at address 03C316, bit 0 and 5 at address 03C716) = "0"
$\overline{\text{CTS}}$ / $\overline{\text{RTS}}$ i (P60, P64, P73, P93, P94)	$\overline{\text{CTS}}$ input (Note 2)	$\overline{\text{CTS}}$ / $\overline{\text{RTS}}$ disable bit (bit 4 at addresses 036416, 036C16, 033C16, 032C16, 02FC16) = "0" $\overline{\text{CTS}}$ / $\overline{\text{RTS}}$ function select bit (bit 2 at addresses 036416, 036C16, 033C16, 032C16, 02FC16) = "0" Port P60, P64, P73, P93 and P94 direction register (bits 0 and 4 at address 03C216, bit 3 at address 03C316, bits 3 and 4 at address 03C716) = "0"
	$\overline{\text{RTS}}$ output (Note 1)	$\overline{\text{CTS}}$ / $\overline{\text{RTS}}$ disable bit (bit 4 at addresses 036416, 036C16, 033C16, 032C16, 02FC16) = "0" $\overline{\text{CTS}}$ / $\overline{\text{RTS}}$ function select bit (bit 2 at addresses 036416, 036C16, 033C16, 032C16, 02FC16) = "1"
	Programmable I/O port (Note 2)	$\overline{\text{CTS}}$ / $\overline{\text{RTS}}$ disable bit (bit 4 at addresses 036416, 036C16, 033C16, 032C16, 02FC16) = "1"

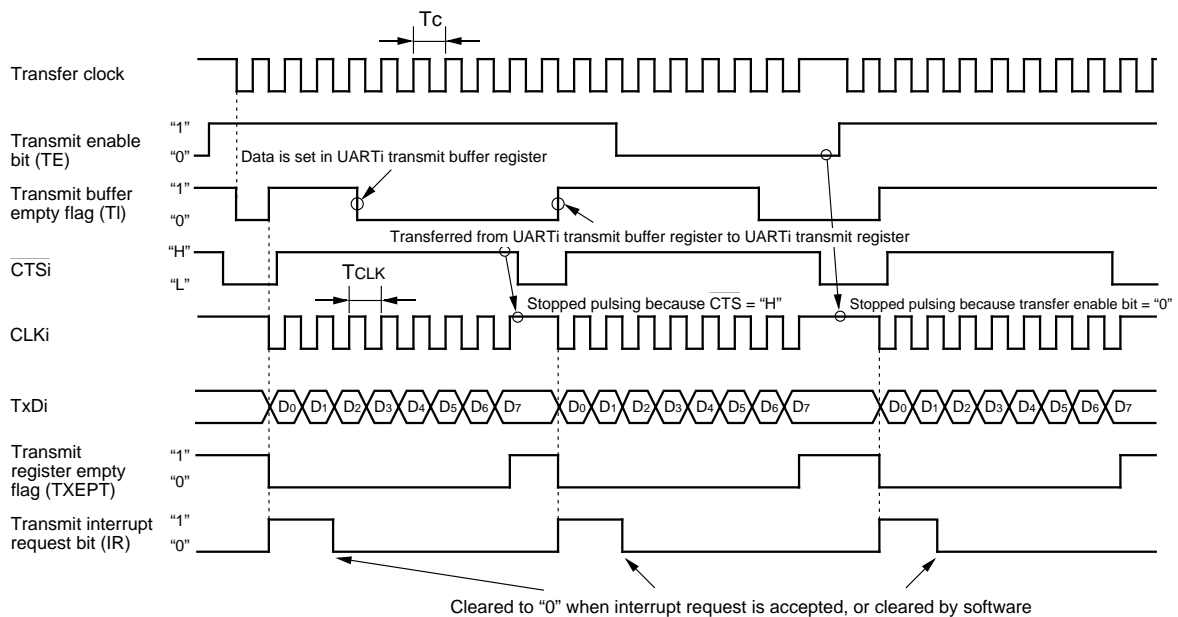
(when transfer clock output from multiple pins and separate  $\overline{\text{CTS}}$ / $\overline{\text{RTS}}$  pins functions are not selected)

Note 1: Select TxD output, CLK output and  $\overline{\text{RTS}}$  output by the corresponding function select registers A, B and C.

Note 2: Select I/O port by the corresponding function select register A.

Clock synchronous serial I/O mode

• Example of transmit timing (when internal clock is selected)



• Example of receive timing (when external clock is selected)

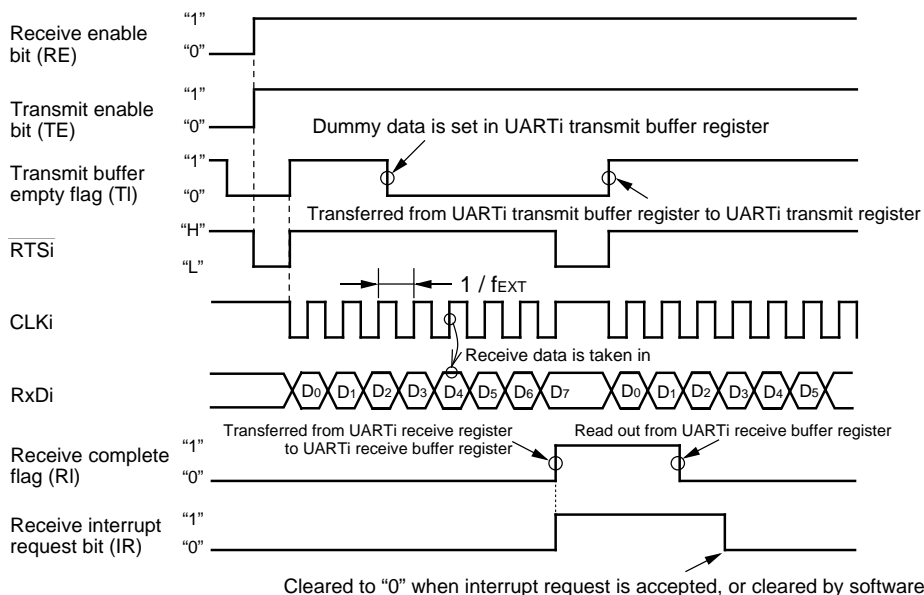


Figure 1.17.2. Typical transmit/receive timings in clock synchronous serial I/O mode

## Clock synchronous serial I/O mode

### (a) Polarity select function

As shown in Figure 1.17.3, the CLK polarity select bit (bit 6 at addresses 0364<sub>16</sub>, 036C<sub>16</sub>, 033C<sub>16</sub>, 032C<sub>16</sub>, 02FC<sub>16</sub>) allows selection of the polarity of the transfer clock.

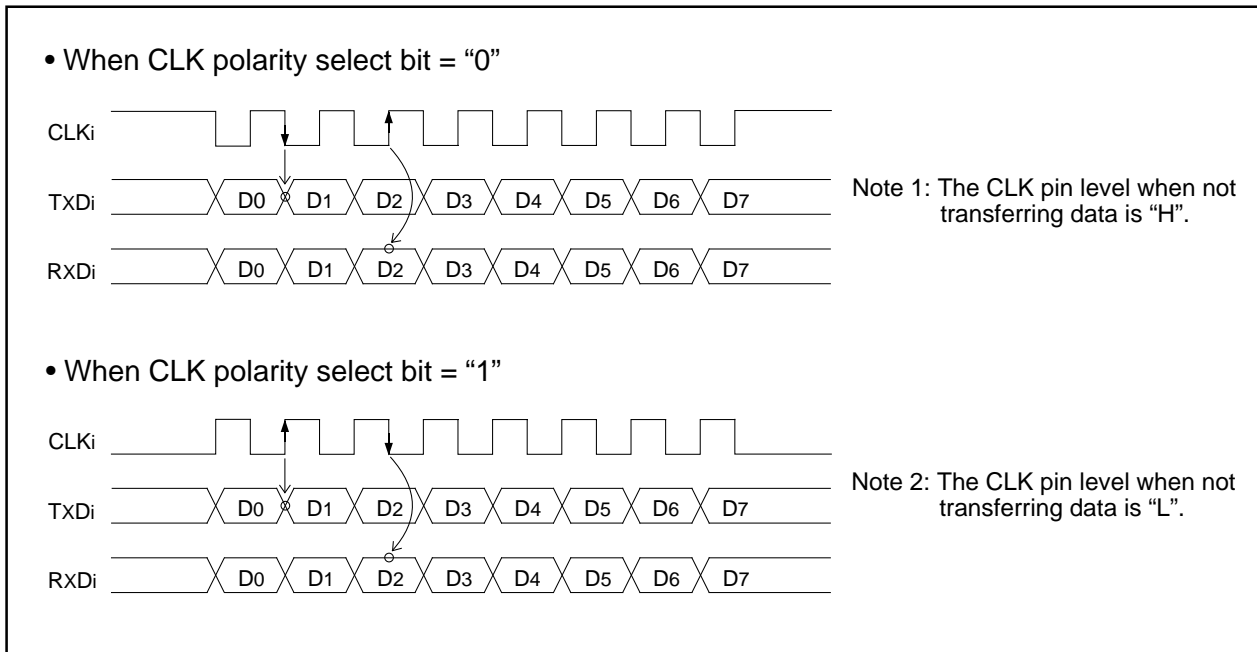


Figure 1.17.3. Polarity of transfer clock

### (b) LSB first/MSB first select function

As shown in Figure 1.17.4, when the transfer format select bit (bit 7 at addresses 0364<sub>16</sub>, 036C<sub>16</sub>, 033C<sub>16</sub>, 032C<sub>16</sub>, 02FC<sub>16</sub>) = "0", the transfer format is "LSB first"; when the bit = "1", the transfer format is "MSB first".

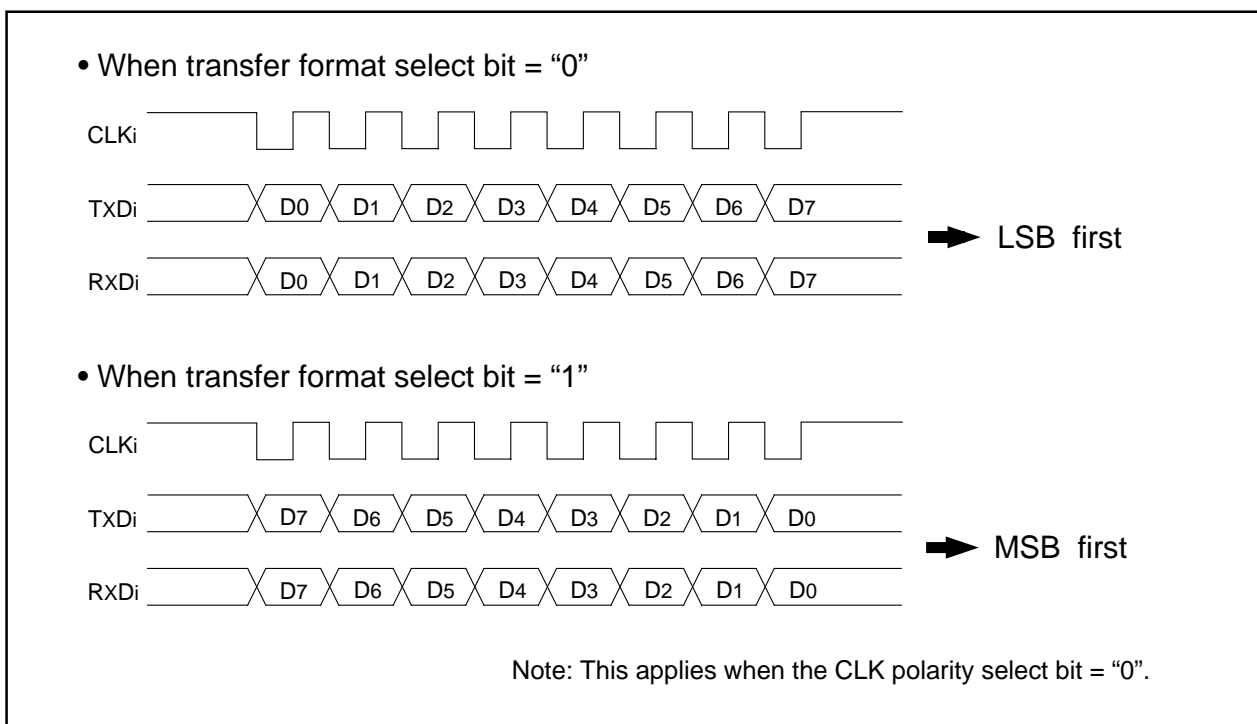


Figure 1.17.4. Transfer format

## Clock synchronous serial I/O mode

**(c) Transfer clock output from multiple pins function (UART1)**

This function allows the setting two transfer clock output pins and choosing one of the two to output a clock by using the port function select register (bits of related to-P64 and P65). (See Figure 1.17.5.) The multiple pins function is valid only when the internal clock is selected for UART1. Note that when this function is selected, UART1  $\overline{\text{CTS}}/\overline{\text{RTS}}$  function cannot be used.

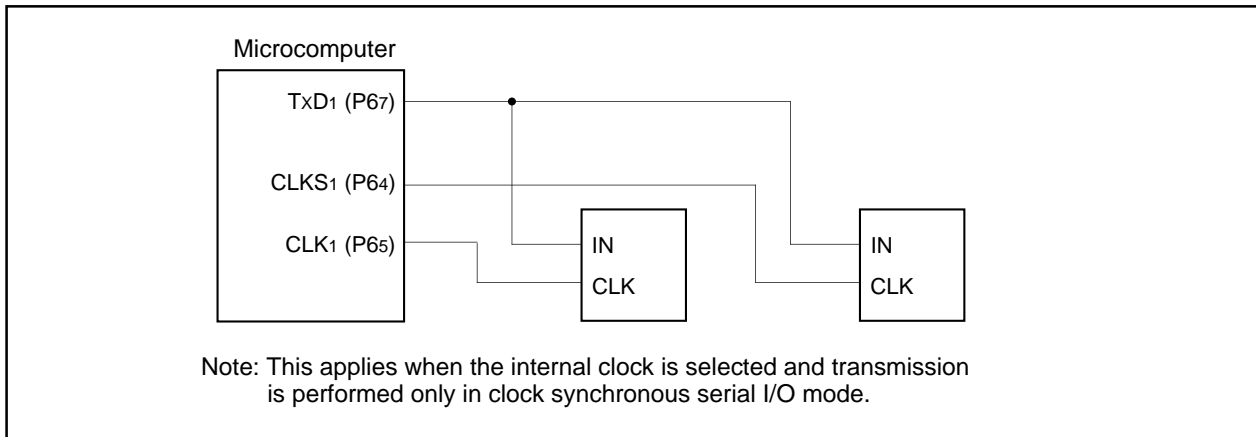


Figure 1.17.5. The transfer clock output from the multiple pins function usage

**(d) Continuous receive mode**

If the continuous receive mode enable bit (bits 2 and 3 at address 0370<sub>16</sub>, bit 5 at address 033D<sub>16</sub>, 032D<sub>16</sub>, 02FD<sub>16</sub>) is set to "1", the unit is placed in continuous receive mode. In this mode, when the receive buffer register is read out, the unit simultaneously goes to a receive enable state without having to set dummy data to the transmit buffer register back again.

**(e) Separate  $\overline{\text{CTS}}/\overline{\text{RTS}}$  pins function (UART0)**

This function works the same way as in the clock asynchronous serial I/O (UART) mode. The method of setting and the input/output pin functions are both the same, so refer to select function in the next section, "(2) Clock asynchronous serial I/O (UART) mode." Note that this function is invalid if the transfer clock output from the multiple pins function is selected.

**(f) Serial data logic switch function (UART2 to UART4)**

When the data logic select bit (bit6 at address 033D<sub>16</sub>, 032D<sub>16</sub>, 02FD<sub>16</sub>) = "1", and writing to transmit buffer register or reading from receive buffer register, data is reversed. Figure 1.17.6 shows the example of serial data logic switch timing.

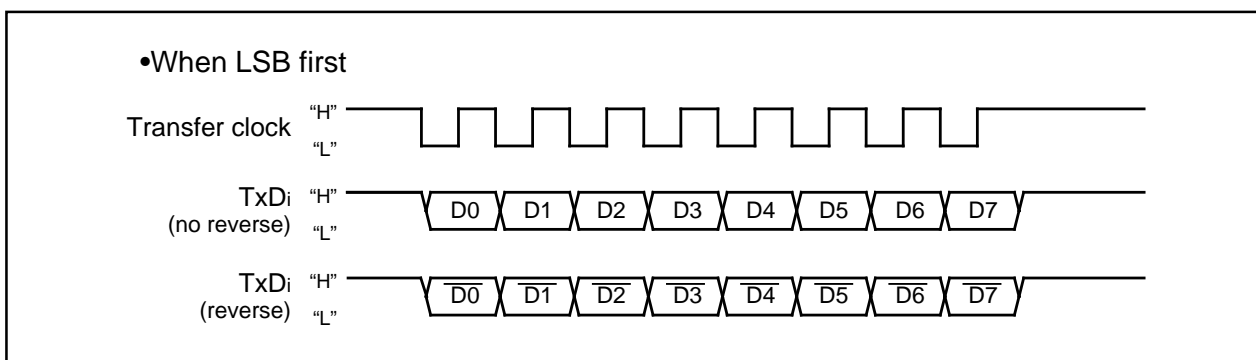


Figure 1.17.6. Serial data logic switch timing

## Clock asynchronous serial I/O (UART) mode

### (2) Clock asynchronous serial I/O (UART) mode

The UART mode allows transmitting and receiving data after setting the desired transfer rate and transfer data format. Tables 1.18.1 and 1.18.2 list the specifications of the UART mode. Figure 1.18.1 shows the UARTi transmit/receive mode register.

**Table 1.18.1. Specifications of UART Mode (1)**

Item	Specification
Transfer data format	<ul style="list-style-type: none"> <li>• Character bit (transfer data): 7 bits, 8 bits, or 9 bits as selected</li> <li>• Start bit: 1 bit</li> <li>• Parity bit: Odd, even, or nothing as selected</li> <li>• Stop bit: 1 bit or 2 bits as selected</li> </ul>
Transfer clock	<ul style="list-style-type: none"> <li>• When internal clock is selected (bit 3 at addresses 0360<sub>16</sub>, 0368<sub>16</sub>, 0338<sub>16</sub>, 0328<sub>16</sub>, 02F8<sub>16</sub> = "0") : <math>f_i/16(n+1)</math> (Note 1) <math>f_i = f_1, f_8, f_{32}</math></li> <li>• When external clock is selected (bit 3 at addresses 0360<sub>16</sub>, 0368<sub>16</sub>, 0338<sub>16</sub>, 0328<sub>16</sub>, 02F8<sub>16</sub> = "1") : <math>f_{EXT}/16(n+1)</math>(Note 1) (Note 2)</li> </ul>
Transmission/reception control	<ul style="list-style-type: none"> <li>• <math>\overline{CTS}</math> function/<math>\overline{RTS}</math> function/<math>\overline{CTS}</math>, <math>\overline{RTS}</math> function chosen to be invalid</li> </ul>
Transmission start condition	<ul style="list-style-type: none"> <li>• To start transmission, the following requirements must be met: <ul style="list-style-type: none"> <li>- Transmit enable bit (bit 0 at addresses 0365<sub>16</sub>, 036D<sub>16</sub>, 033D<sub>16</sub>, 032D<sub>16</sub>, 02FD<sub>16</sub>) = "1"</li> <li>- Transmit buffer empty flag (bit 1 at addresses 0365<sub>16</sub>, 036D<sub>16</sub>, 033D<sub>16</sub>, 032D<sub>16</sub>, 02FD<sub>16</sub>) = "0"</li> <li>- When <math>\overline{CTS}</math> function selected, <math>\overline{CTS}</math> input level = "L"</li> <li>- TxD output is selected by the corresponding function select register A, B and C.</li> </ul> </li> </ul>
Reception start condition	<ul style="list-style-type: none"> <li>• To start reception, the following requirements must be met: <ul style="list-style-type: none"> <li>- Receive enable bit (bit 2 at addresses 0365<sub>16</sub>, 036D<sub>16</sub>, 033D<sub>16</sub>, 032D<sub>16</sub>, 02FD<sub>16</sub>) = "1"</li> <li>- Start bit detection</li> </ul> </li> </ul>
Interrupt request generation timing	<ul style="list-style-type: none"> <li>• When transmitting <ul style="list-style-type: none"> <li>- Transmit interrupt cause select bits (bits 0,1 at address 0370<sub>16</sub>, bit 4 at address 033D<sub>16</sub>, 032D<sub>16</sub>, 02FD<sub>16</sub>) = "0": Interrupts requested when data transfer from UARTi transfer buffer register to UARTi transmit register is completed</li> <li>- Transmit interrupt cause select bits (bits 0, 1 at address 0370<sub>16</sub>, bit 4 at address 033D<sub>16</sub>, 032D<sub>16</sub>, 02FD<sub>16</sub>) = "1": Interrupts requested when data transmission from UARTi transfer register is completed</li> </ul> </li> <li>• When receiving <ul style="list-style-type: none"> <li>- Interrupts requested when data transfer from UARTi receive register to UARTi receive buffer register is completed</li> </ul> </li> </ul>

Note 1: 'n' denotes the value 00<sub>16</sub> to FF<sub>16</sub> that is set to the UARTi bit rate generator.

Note 2: f<sub>EXT</sub> is input from the CLKi pin.

## Clock asynchronous serial I/O (UART) mode

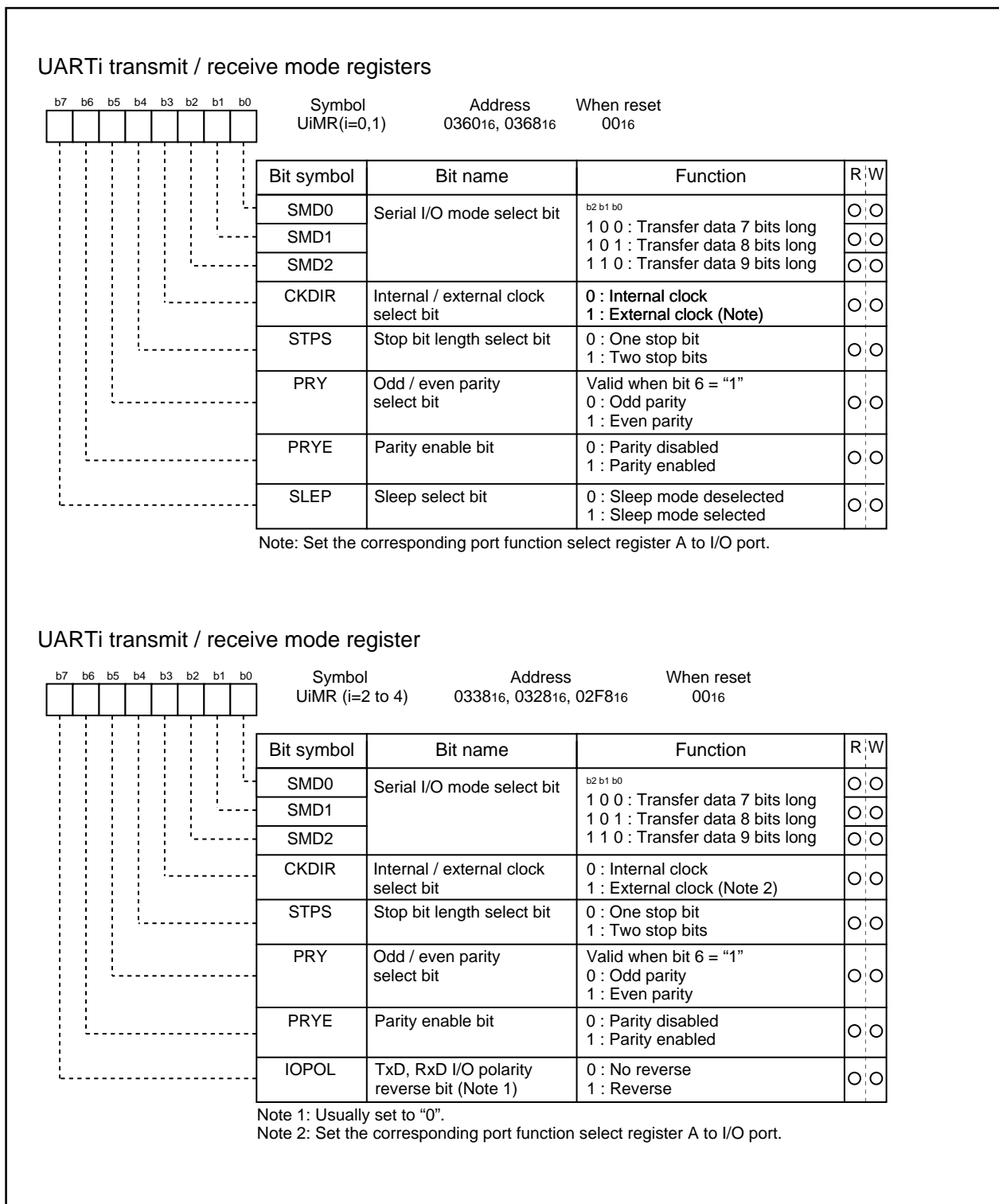
Table 1.18.2. Specifications of UART Mode (2)

Item	Specification
Error detection	<ul style="list-style-type: none"> <li>• Overrun error (Note) This error occurs when the next data is ready before contents of UARTi receive buffer register are read out</li> <li>• Framing error This error occurs when the number of stop bits set is not detected</li> <li>• Parity error This error occurs when if parity is enabled, the number of 1's in parity and character bits does not match the number of 1's set</li> <li>• Error sum flag This flag is set (= 1) when any of the overrun, framing, and parity errors is encountered</li> </ul>
Select function	<ul style="list-style-type: none"> <li>• Separate CTS/RTS pins (UART0) UART0 <math>\overline{\text{CTS}}</math> and <math>\overline{\text{RTS}}</math> pins each can be assigned to separate pins</li> <li>• Sleep mode selection (UART0, UART1) This mode is used to transfer data to and from one of multiple slave micro-computers</li> <li>• Serial data logic switch (UART2 to UART4) This function is reversing logic value of transferring data. Start bit, parity bit and stop bit are not reversed.</li> <li>• Tx/D, Rx/D I/O polarity switch (UART2 to UART4) This function is reversing Tx/D port output and Rx/D port input. All I/O data level is reversed.</li> </ul>

Note: If an overrun error occurs, the UARTi receive buffer will have the next data written in. Note also that the UARTi receive interrupt request bit will not change.



## Clock asynchronous serial I/O (UART) mode

Figure 1.18.1. UART<sub>i</sub> transmit/receive mode register in UART mode

## Clock asynchronous serial I/O (UART) mode

Table 1.18.3 lists the functions of the input/output pins during UART mode. This table shows the pin functions when the separate  $\overline{\text{CTS}}/\overline{\text{RTS}}$  pins function is not selected. Note that for a period from when the UARTi operation mode is selected to when transfer starts, the TxDi pin outputs a "H". (If the N-channel open drain is selected, this pin is in floating state.)

**Table 1.18.3. Input/output pin functions in UART mode**

Pin name	Function	Method of selection
TxDi (P63, P67, P70, P92, P96)	Serial data output (Note 1)	
RxDi (P62, P66, P71, P91, P97)	Serial data input (Note 2)	Port P62, P66, P71, P91 and P97 direction register (bits 2 and 6 at address 03C216, bit 1 at address 03C316, bit 1 and 7 at address 03C716) = "0" (Can be used as an input port when performing transmission only)
CLKi (P61, P65, P72, P90, P95)	Programmable I/O port (Note 2)	Internal/external clock select bit (bit 3 at addresses 036016, 036816, 033816, 032816, 02F816) = "0"
	Transfer clock input (Note 2)	Internal/external clock select bit (bit 3 at addresses 036016, 036816, 033816, 032816, 02F816) = "1" Port P61, P65, P72, P90 and P95 direction register (bits 1 and 5 at address 03C216, bit 2 at address 03C316, bits 0 and 5 at address 03C716) = "0"
$\overline{\text{CTS}}/\overline{\text{RTS}}_i$ (P60, P64, P73, P93, P94)	$\overline{\text{CTS}}$ input (Note 2)	$\overline{\text{CTS}}/\overline{\text{RTS}}$ disable bit (bit 4 at addresses 036416, 036C16, 033C16, 032C16, 02FC16) = "0" $\overline{\text{CTS}}/\overline{\text{RTS}}$ function select bit (bit 2 at addresses 036416, 036C16, 033C16, 032C16, 02FC16) = "0" Port P60, P64, P73, P93 and P94 direction register (bits 0 and 4 at address 03C216, bit 3 at address 03C316, bits 3 and 4 at address 03C716) = "0"
	$\overline{\text{RTS}}$ output (Note 1)	$\overline{\text{CTS}}/\overline{\text{RTS}}$ disable bit (bit 4 at addresses 036416, 036C16, 033C16, 032C16, 02FC16) = "0" $\overline{\text{CTS}}/\overline{\text{RTS}}$ function select bit (bit 2 at addresses 036416, 036C16, 033C16, 032C16, 02FC16) = "1"
	Programmable I/O port (Note 2)	$\overline{\text{CTS}}/\overline{\text{RTS}}$ disable bit (bit 4 at addresses 036416, 036C16, 033C16, 032C16, 02FC16) = "1"

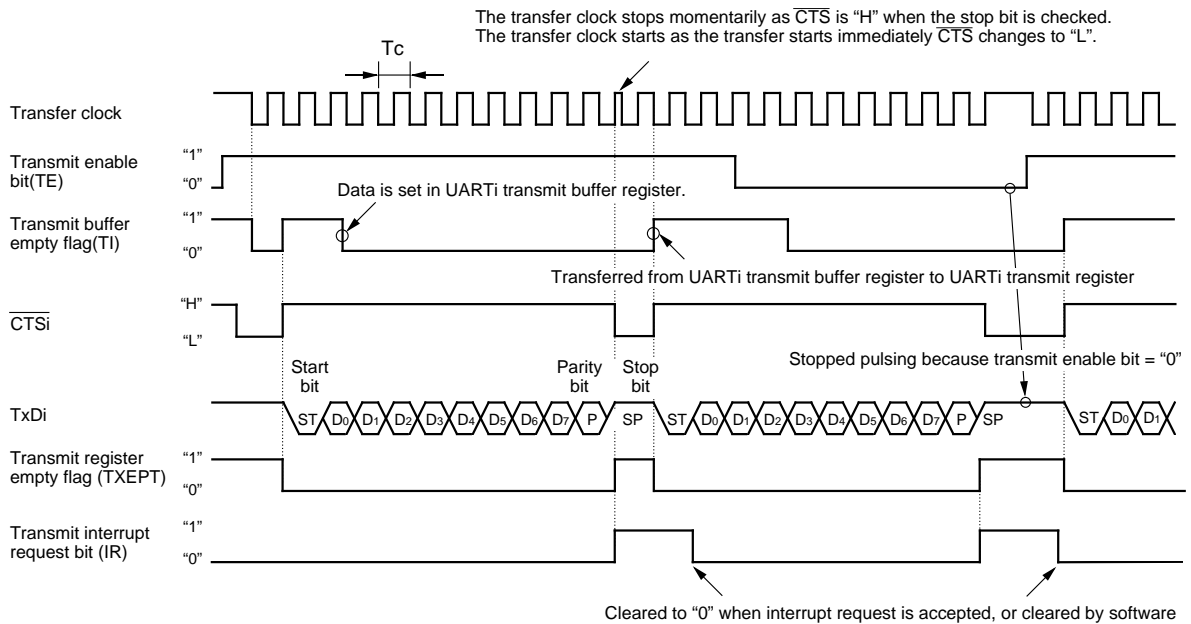
(When separate  $\overline{\text{CTS}}/\overline{\text{RTS}}$  pins function is not selected)

Note 1: Select TxD output, CLK output and  $\overline{\text{RTS}}$  output by the corresponding function select registers A, B and C.

Note 2: Select I/O port by the corresponding function select register A.

Clock asynchronous serial I/O (UART) mode

• Example of transmit timing when transfer data is 8 bits long (parity enabled, one stop bit)



• Example of transmit timing when transfer data is 9 bits long (parity disabled, two stop bits)

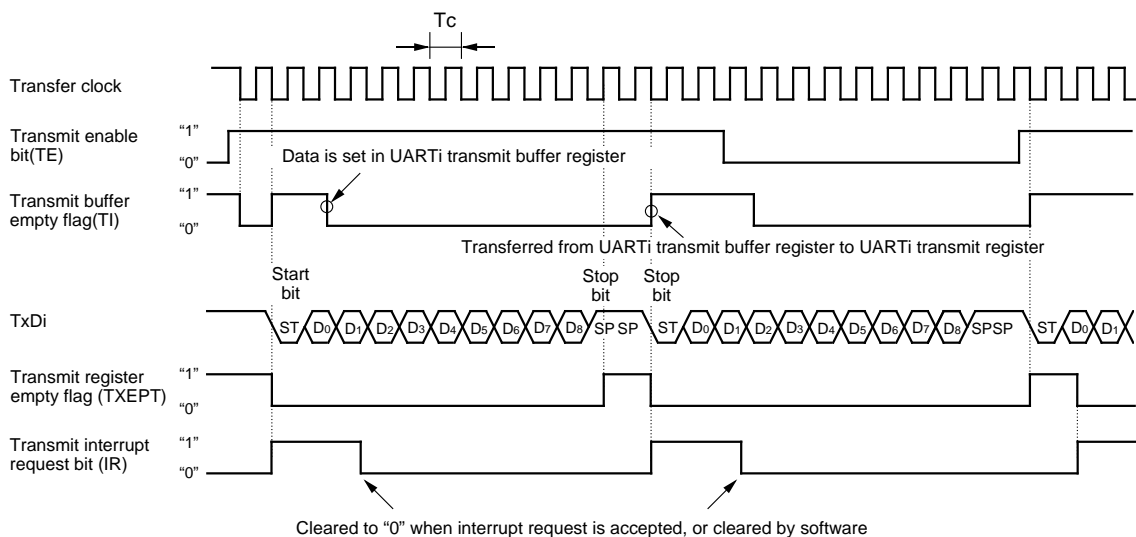


Figure 1.18.2. Typical transmit timings in UART mode

Clock asynchronous serial I/O (UART) mode

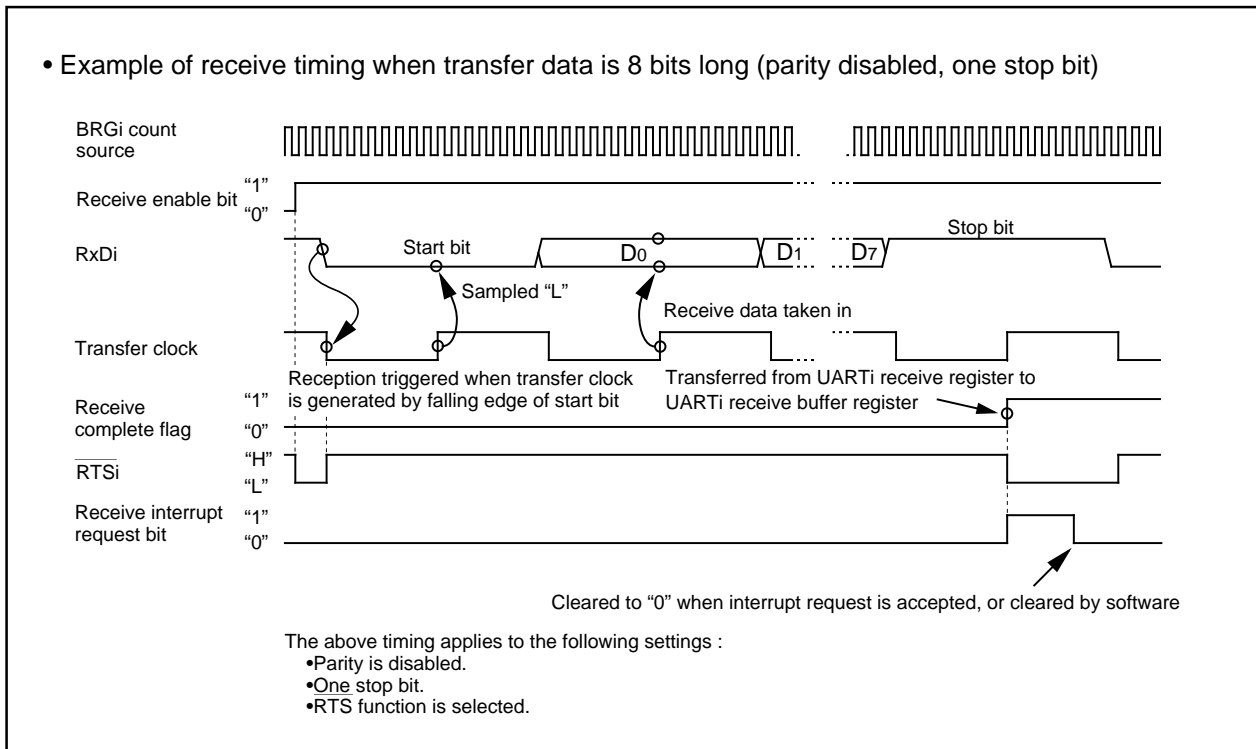


Figure 1.18.3. Typical receive timing in UART mode

(a) Separate CTS/RTS pins function (UART0)

With the separate CTS/RTS bit (bit 6 at address 037016) is set to "1", the unit outputs/inputs the CTS and RTS signals on different pins. (See Figure 1.18.4.) This function is valid only for UART0. Note that if this function is selected, the CTS/RTS function for UART1 cannot be used.

Set both CTS/RTS function select bit (bit 2 at address 036C16) of UART1 and CTS/RTS disable bit (bit 4 at address 036C16) of UART1 to "0" and set P64 to input port by the function select register.

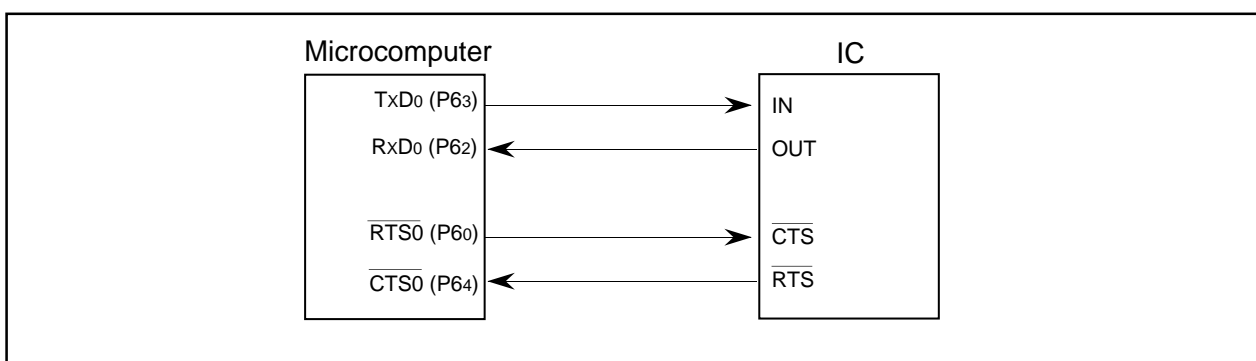


Figure 1.18.4. The separate CTS/RTS pins function usage

(b) Sleep mode (UART0, UART1)

This mode is used to transfer data between specific microcomputers among multiple microcomputers connected using UARTi. The sleep mode is selected when the sleep select bit (bit 7 at addresses 036016, 036816) is set to "1" during reception. In this mode, the unit performs receive operation when the MSB of the received data = "1" and does not perform receive operation when the MSB = "0".

## Clock asynchronous serial I/O (UART) mode

### (c) Function for switching serial data logic (UART2 to UART4)

When the data logic select bit (bit 6 of address 033D<sub>16</sub>, 032D<sub>16</sub>, 02FD<sub>16</sub>) is assigned 1, data is inverted in writing to the transmission buffer register or reading the reception buffer register. Figure 1.18.5 shows the example of timing for switching serial data logic.

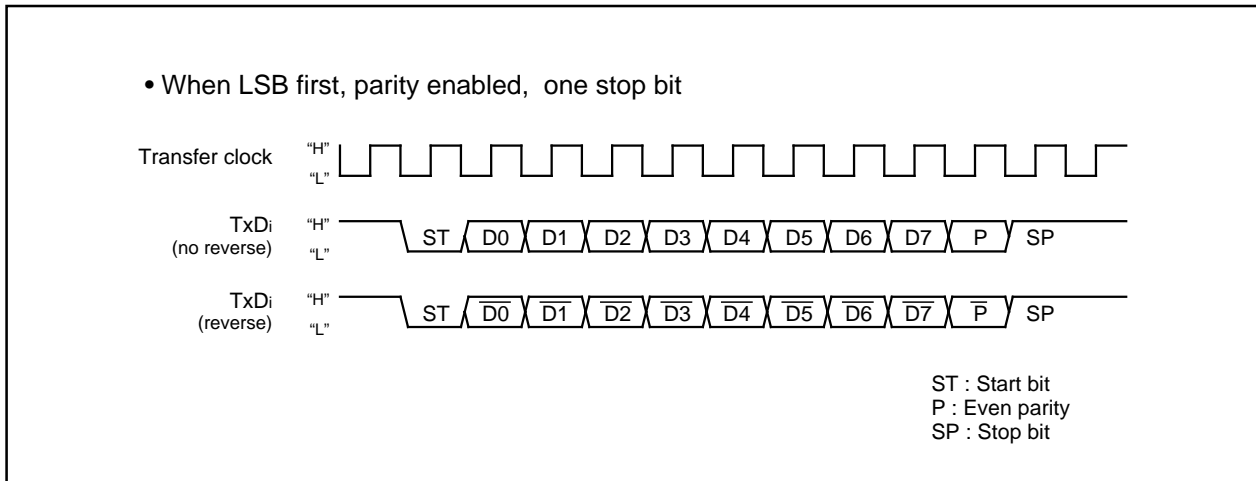


Figure 1.18.5. Timing for switching serial data logic

### (d) TxD, RxD I/O polarity reverse function (UART2 to UART4)

This function is to reverse TxD pin output and RxD pin input. The level of any data to be input or output (including the start bit, stop bit(s), and parity bit) is reversed. Set this function to "0" (not to reverse) for usual use.

### (e) Bus collision detection function (UART2 to UART4)

This function is to sample the output level of the TxD pin and the input level of the RxD pin at the rising edge of the transfer clock; if their values are different, then an interrupt request occurs. Figure 1.18.6 shows the example of detection timing of a buss collision (in UART mode).

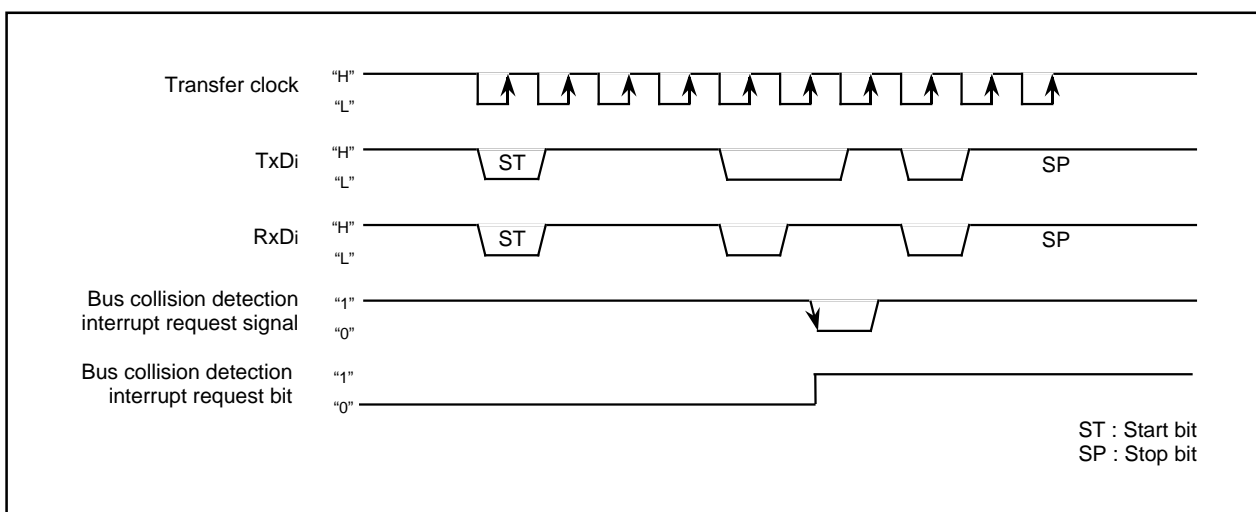


Figure 1.18.6. Detection timing of a bus collision (in UART mode)

## Clock asynchronous serial I/O (UART) mode

**(3) Clock-asynchronous serial I/O mode (compliant with the SIM interface)**

The SIM interface is used for connecting the microcomputer with a memory card I/C or the like; adding some extra settings in UART2 to UART4 clock-asynchronous serial I/O mode allows the user to effect this function.

Table 1.19.1 shows the specifications of clock-asynchronous serial I/O mode (compliant with the SIM interface).

**Table 1.19.1. Specifications of clock-asynchronous serial I/O mode (compliant with the SIM interface)**

Item	Specification
Transfer data format	<ul style="list-style-type: none"> <li>• Transfer data 8-bit UART mode (bit 2 to 0 of addresses 0338<sub>16</sub>, 0328<sub>16</sub>, 02F8<sub>16</sub> = "1012")</li> <li>• One stop bit (bit 4 of addresses 0338<sub>16</sub>, 0328<sub>16</sub>, 02F8<sub>16</sub> = "0")</li> <li>• With the direct format chosen Set parity to "even" (bit 5 and 6 of addresses 0338<sub>16</sub>, 0328<sub>16</sub>, 02F8<sub>16</sub> = "1" and "1" respectively) Set data logic to "direct" (bit 6 of address 033D<sub>16</sub>, 032D<sub>16</sub>, 02FD<sub>16</sub> = "0"). Set transfer format to LSB (bit 7 of address 033C<sub>16</sub>, 032C<sub>16</sub>, 02FC<sub>16</sub> = "0").</li> <li>• With the inverse format chosen Set parity to "odd" (bit 5 and 6 of addresses 0338<sub>16</sub>, 0328<sub>16</sub>, 02F8<sub>16</sub> = "0" and "1" respectively) Set data logic to "inverse" (bit 6 of address 033D<sub>16</sub>, 032D<sub>16</sub>, 02FD<sub>16</sub> = "1") Set transfer format to MSB (bit 7 of address 033C<sub>16</sub>, 032C<sub>16</sub>, 02FC<sub>16</sub> = "1")</li> </ul>
Transfer clock	<ul style="list-style-type: none"> <li>• With the internal clock chosen (bit 3 of addresses 0338<sub>16</sub>, 0328<sub>16</sub>, 02F8<sub>16</sub> = "0") : <math>f_i / 16 (n + 1)</math> (Note 1) : <math>f_i=f_1, f_8, f_{32}</math></li> <li>• With an external clock chosen (bit 3 of addresses 0338<sub>16</sub>, 0328<sub>16</sub>, 02F8<sub>16</sub> = "1") : <math>f_{EXT} / 16 (n+1)</math> (Note 1) (Note 2)</li> </ul>
Transmission / reception control	<ul style="list-style-type: none"> <li>• Disable the <math>\overline{CTS}</math> and <math>\overline{RTS}</math> function (bit 4 of address 033C<sub>16</sub>, 032C<sub>16</sub>, 02FC<sub>16</sub> = "1")</li> </ul>
Other settings	<ul style="list-style-type: none"> <li>• The sleep mode select function is not available for UART2 and UART3</li> <li>• Set transmission interrupt factor to "transmission completed" (bit 4 of address 033D<sub>16</sub>, 032D<sub>16</sub>, 02FD<sub>16</sub> = "1")</li> <li>• Set N-channel open drain output to Tx<sub>D</sub> and Rx<sub>D</sub> pins in UART3 and 4 (bit 5 of address 032C<sub>16</sub>, 02FC<sub>16</sub> = "1")</li> </ul>
Transmission start condition	<ul style="list-style-type: none"> <li>• To start transmission, the following requirements must be met: <ul style="list-style-type: none"> <li>- Transmit enable bit (bit 0 of address 033D<sub>16</sub>, 032D<sub>16</sub>, 02FD<sub>16</sub>) = "1"</li> <li>- Transmit buffer empty flag (bit 1 of address 033D<sub>16</sub>, 032D<sub>16</sub>, 02FD<sub>16</sub>) = "0"</li> </ul> </li> </ul>
Reception start condition	<ul style="list-style-type: none"> <li>• To start reception, the following requirements must be met: <ul style="list-style-type: none"> <li>- Reception enable bit (bit 2 of address 033D<sub>16</sub>, 032D<sub>16</sub>, 02FD<sub>16</sub>) = "1"</li> <li>- Detection of a start bit</li> </ul> </li> </ul>
Interrupt request generation timing	<ul style="list-style-type: none"> <li>• When transmitting When data transmission from the UART2 to UART4 transfer register is completed (bit 4 of address 033D<sub>16</sub>, 032D<sub>16</sub>, 02FD<sub>16</sub> = "1")</li> <li>• When receiving When data transfer from the UART2 to UART4 receive register to the UART2 to UART4 receive buffer register is completed</li> </ul>
Error detection	<ul style="list-style-type: none"> <li>• Overrun error (see the specifications of clock-asynchronous serial I/O) (Note 3)</li> <li>• Framing error (see the specifications of clock-asynchronous serial I/O)</li> <li>• Parity error (see the specifications of clock-asynchronous serial I/O) <ul style="list-style-type: none"> <li>- On the reception side, an "L" level is output from the Tx<sub>Di</sub> pin by use of the parity error signal output function (bit 7 of address 033D<sub>16</sub>, 032D<sub>16</sub>, 02FD<sub>16</sub> = "1") when a parity error is detected</li> <li>- On the transmission side, a parity error is detected by the level of input to the Rx<sub>Di</sub> pin when a transmission interrupt occurs</li> </ul> </li> <li>• The error sum flag (see the specifications of clock-asynchronous serial I/O)</li> </ul>

Note 1: 'n' denotes the value 00<sub>16</sub> to FF<sub>16</sub> that is set to the UART<sub>i</sub> bit rate generator.

Note 2:  $f_{EXT}$  is input from the CLK<sub>i</sub> pin.

Note 3: If an overrun error occurs, the UART<sub>i</sub> receive buffer will have the next data written in. Note also that the UART<sub>i</sub> receive interrupt request bit will not change.

## Clock asynchronous serial I/O (UART) mode

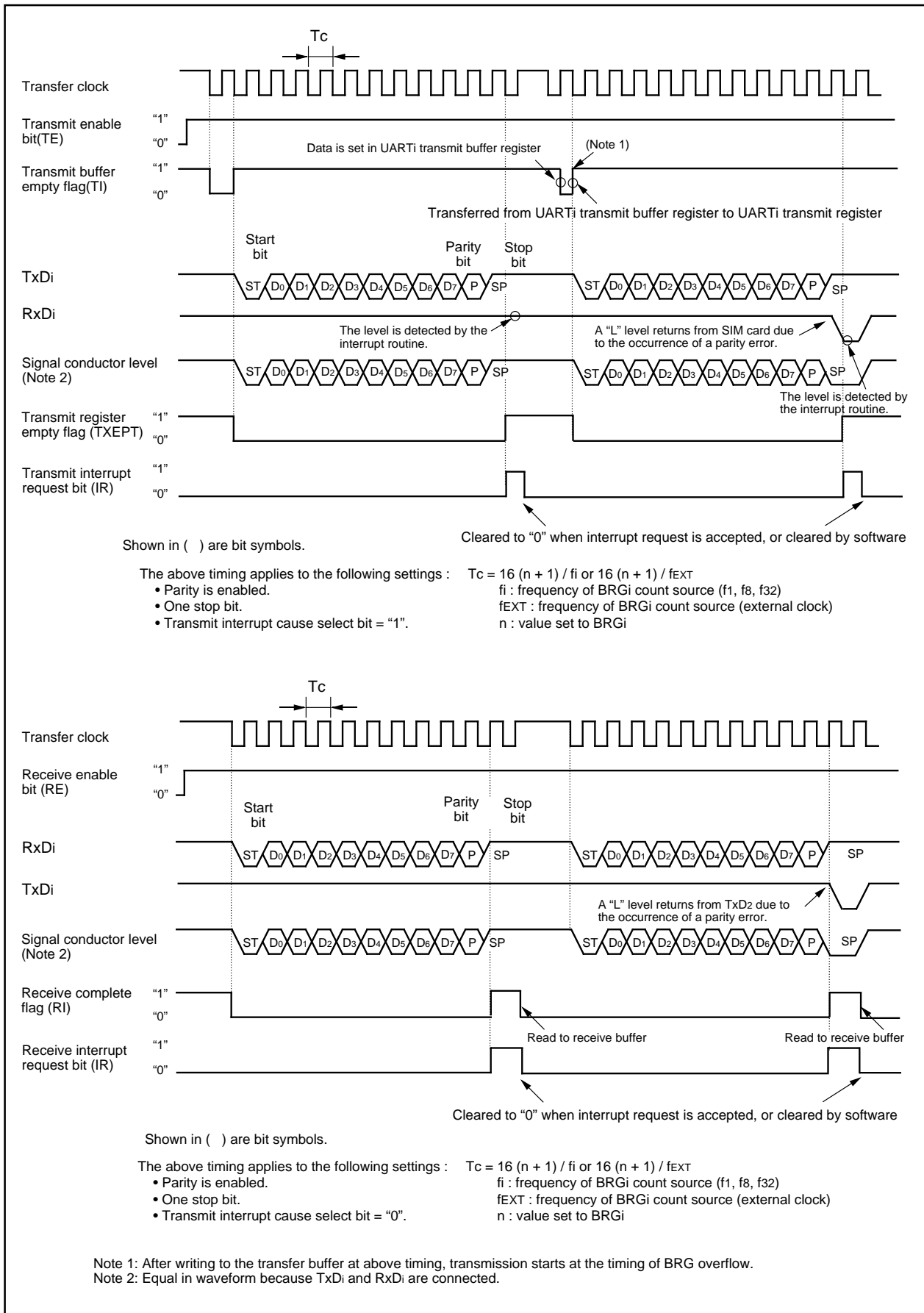


Figure 1.19.1. Typical transmit/receive timing in UART mode (compliant with the SIM interface)

## Clock asynchronous serial I/O (UART) mode

### (a) Function for outputting a parity error signal

With the error signal output enable bit (bit 7 of address 033D16, 032D16, 02FD16) assigned "1", you can output an "L" level from the TxDi pin when a parity error is detected. In step with this function, the generation timing of a transmission completion interrupt changes to the detection timing of a parity error signal. Figure 1.19.2 shows the output timing of the parity error signal.

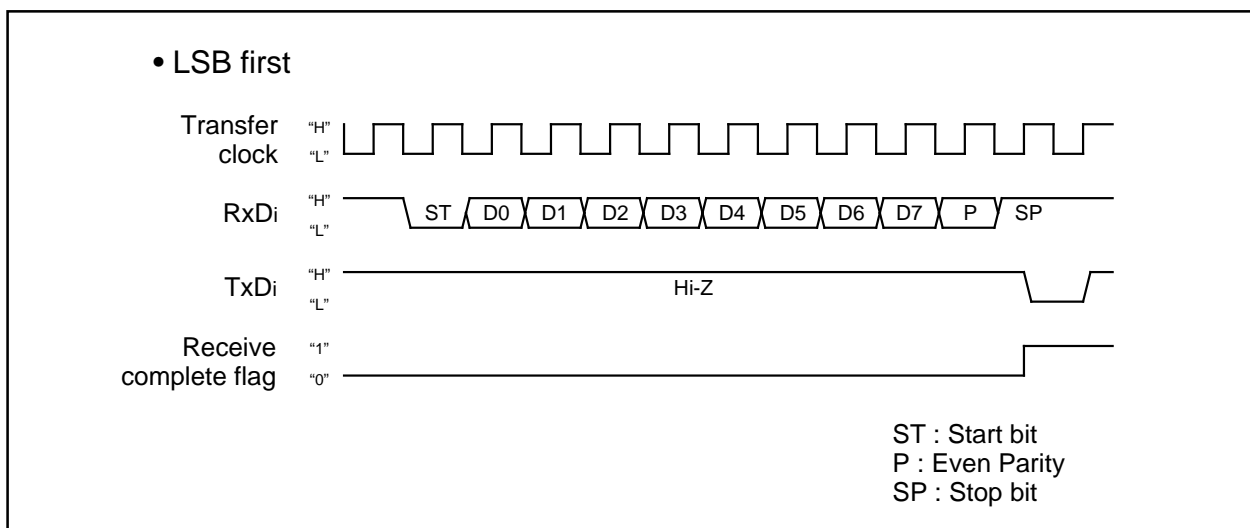


Figure 1.19.2. Output timing of the parity error signal

### (b) Direct format/inverse format

Connecting the SIM card allows you to switch between direct format and inverse format. If you choose the direct format, D0 data is output from TxDi. If you choose the inverse format, D7 data is inverted and output from TxDi.

Figure 1.19.3 shows the SIM interface format.

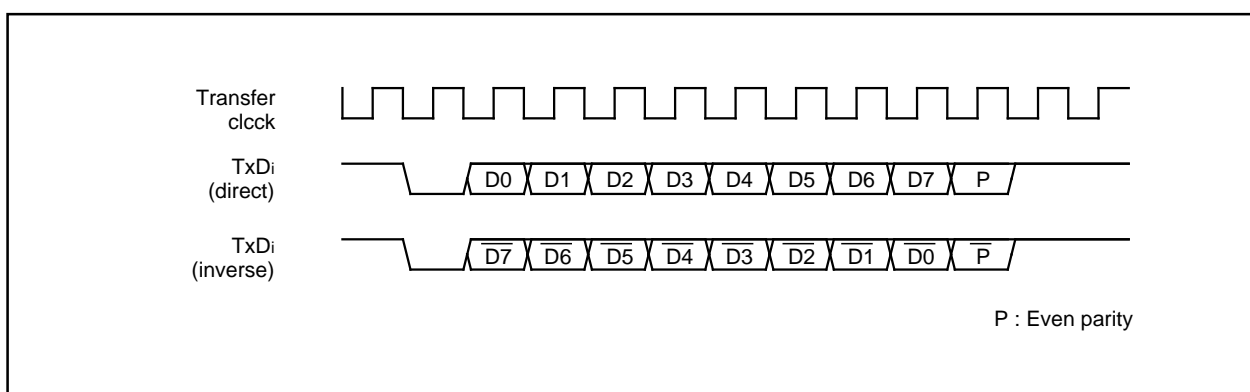


Figure 1.19.3. SIM interface format



## Clock asynchronous serial I/O (UART) mode

Figure 1.19.4 shows the example of connecting the SIM interface. Connect TxDi and RxDi and apply pull-up.

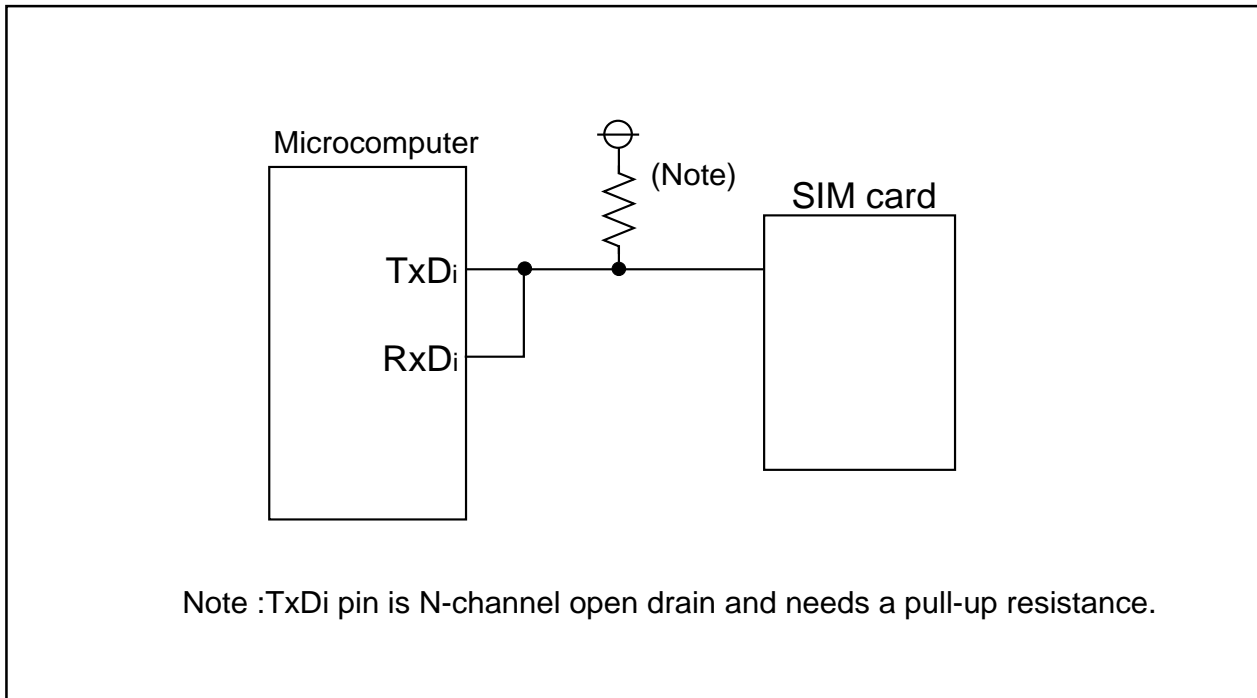


Figure 1.19.4. Connecting the SIM interface

## UARTi Special Mode Register

**UARTi Special Mode Register (i = 2 to 4)**

UART2 to UART4 operate the IIC bus interface (simple IIC bus) using the UARTi special mode register (addresses 0336<sub>16</sub>, 0326<sub>16</sub> and 02F6<sub>16</sub> [i = 2 to 4]) and UARTi special mode register 2 (addresses 0336<sub>16</sub>, 0326<sub>16</sub> and 02F6<sub>16</sub> [i = 2 to 4]). UART3 and UART4 add special functions using UARTi special mode register 3 (addresses 0325<sub>16</sub> and 02F5<sub>16</sub> [i = 3 or 4]).

**(1) IIC Bus Interface Mode**

The I<sup>2</sup>C bus interface mode is provided with UART2 to UART4.

Table 1.20.1 shows the construction of the UARTi special mode register and UARTi special mode register 2.

When the I<sup>2</sup>C mode select bit (bit 0 in addresses 0337<sub>16</sub>, 0327<sub>16</sub> and 02F7<sub>16</sub>) is set to "1", the I<sup>2</sup>C bus (simple I<sup>2</sup>C bus) interface circuit is enabled.

To use the I<sup>2</sup>C bus, set the SCLi and the SDAi of both master and slave to output with the function select register. In UART3 and 4, set the data output select bit (bit 5 in address 032C<sub>16</sub> and 02FC<sub>16</sub>) to N-channel open drain output.

Table 1.20.1 shows the relationship of the IIC mode select bit to control. To use the chip in the clock synchronized serial I/O mode or clock asynchronous serial I/O mode, always set this bit to "0".

**Table 1.20.1. Features in I<sup>2</sup>C mode**

	Function	Normal mode	I <sup>2</sup> C mode (Note 1)
1	Factor of interrupt number 39 to 41 (Note 2)	Bus collision detection	Start condition detection or stop condition detection
2	Factor of interrupt number 33, 35, 37 (Note 2)	UARTi transmission	No acknowledgment detection (NACK)
3	Factor of interrupt number 34, 36, 38 (Note 2)	UARTi reception	Acknowledgment detection (ACK)
4	UARTi transmission output delay	Not delayed	Delayed
5	P7 <sub>0</sub> , P9 <sub>2</sub> , P9 <sub>6</sub> at the time when UARTi is in use	TxDi (output)	SDAi (input/output) (Note 3)
6	P7 <sub>1</sub> , P9 <sub>1</sub> , P9 <sub>7</sub> at the time when UARTi is in use	RxDi (input)	SCLi (input/output)
7	P7 <sub>2</sub> , P9 <sub>0</sub> , P9 <sub>5</sub> at the time when UARTi is in use	CLKi	P7 <sub>2</sub> , P9 <sub>0</sub> , P9 <sub>5</sub>
8	DMA1 factor at the time when 1 1 0 1 is assigned to the DMA request factor selection bits	UARTi reception	Acknowledgment detection (ACK)
9	Noise filter width	15ns	50ns
10	Reading P7 <sub>1</sub> , P9 <sub>1</sub> , P9 <sub>7</sub>	Reading the terminal when 0 is assigned to the direction register	Reading the terminal regardless of the value of the direction register
11	Initial value of UARTi output	H level (when 0 is assigned to the CLK polarity select bit)	The value set in latch P7 <sub>0</sub> , P9 <sub>2</sub> , P9 <sub>6</sub> when the port is selected (Note 3)

Note 1: Make the settings given below when I<sup>2</sup>C mode is in use.

Set 0 1 0 in bits 2, 1, 0 of the UARTi transmission/reception mode register.

Disable the RTS/CTS function. Choose the MSB First function.

Note 2: Follow the steps given below to switch from a factor to another.

1. Disable the interrupt of the corresponding number.
2. Switch from a factor to another.
3. Reset the interrupt request flag of the corresponding number.
4. Set an interrupt level of the corresponding number.

Note 3: Set an initial value of SDA transmission output when IIC mode (IIC mode select bit = "1") is valid and serial I/O is invalid.

UARTi Special Mode Register

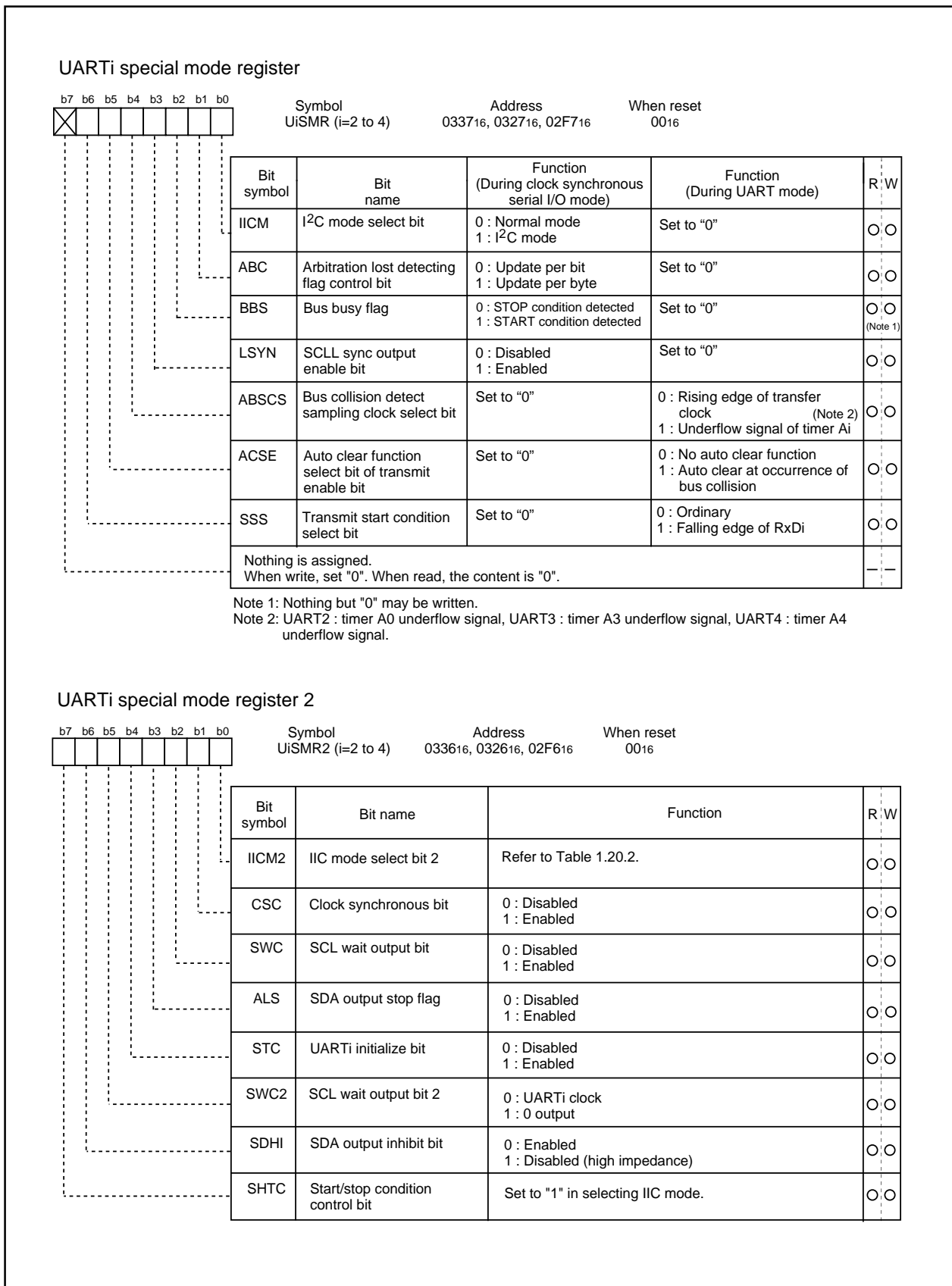


Figure 1.20.1. UART2 special mode register

UARTi Special Mode Register

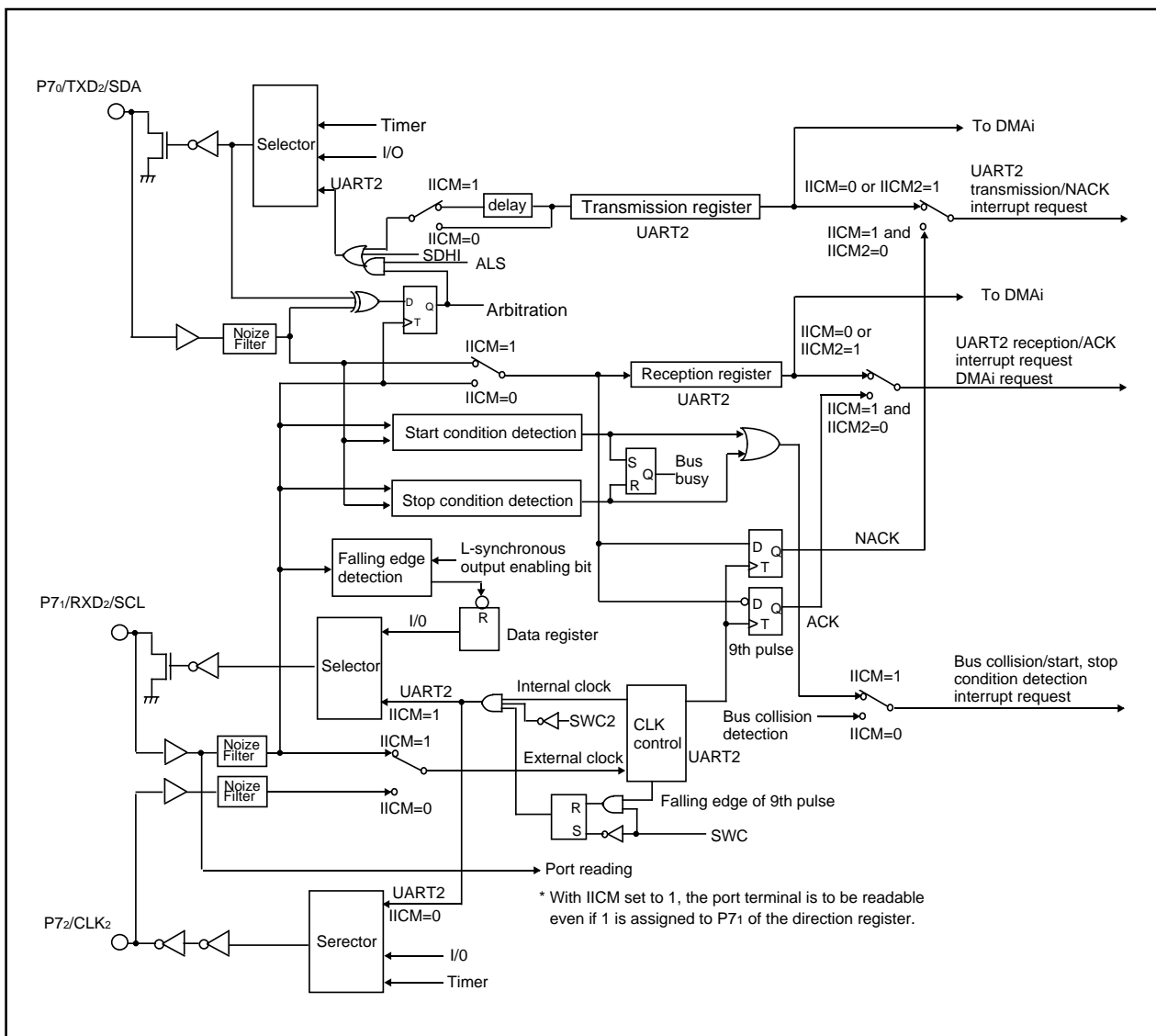


Figure 1.20.2. Functional block diagram for I<sup>2</sup>C mode

Figure 1.20.2 is a block diagram of the IIC bus interface.

To explain the control bit of the IIC bus interface, UART2 is used as an example.

**UART2 Special Mode Register (Address 0337<sub>16</sub>)**

Bit 0 is the IIC mode select bit. When set to "1", ports P7<sub>0</sub>, P7<sub>1</sub> and P7<sub>2</sub> operate respectively as the SDA<sub>2</sub> data transmission-reception pin, SCL<sub>2</sub> clock I/O pin and port P7<sub>2</sub>. A delay circuit is added to SDA<sub>2</sub> transmission output, therefore after SCL<sub>2</sub> is sufficiently L level, SDA<sub>2</sub> output changes. Port P7<sub>1</sub> (SCL<sub>2</sub>) is designed to read pin level regardless of the content of the port direction register. SDA<sub>2</sub> transmission output is initially set to port P7<sub>0</sub> in this mode. Furthermore, interrupt factors for the bus collision detection interrupt, UART2 transmission interrupt and UART2 reception interrupt change respectively to the start/stop condition detection interrupts, acknowledge non-detection interrupt and acknowledge detection interrupt.

## UARTi Special Mode Register

---

The start condition detection interrupt is generated when the fall at the SDA2 pin (P70) is detected while the SCL2 pin (P71) is in the H state. The stop condition detection interrupt is generated when the rise at the SDA2 pin (P70) is detected while the SCL2 pin (P71) is in the H state.

The acknowledge non-detection interrupt is generated when the H level at the SDA2 pin is detected at the 9th rise of the transmission clock.

The acknowledge detection interrupt is generated when the L level at the SDA2 pin is detected at the 9th rise of the transmission clock. Also, DMA transfer can be started when the acknowledge is detected if UART2 transmission is selected as the DMAi request factor.

Bit 2 is the bus busy flag. It is set to "1" when the start condition is detected, and reset to "0" when the stop condition is detected.

Bit 1 is the arbitration lost detection flag control bit. Arbitration detects a conflict between data transmitted at SCL2 rise and data at the SDA2 pin. This detection flag is allocated to bit 11 in UART2 transmission buffer register (address 033E16). It is set to "1" when a conflict is detected. With the arbitration lost detection flag control bit, it can be selected to update the flag in units of bits or bytes. When this bit is set to "1", update is set to units of byte. If a conflict is then detected, the arbitration lost detection flag control bit will be set to "1" at the 9th rise of the clock. When updating in units of byte, always clear ("0" interrupt) the arbitration lost detection flag control bit after the 1st byte has been acknowledged but before the next byte starts transmitting.

Bit 3 is the SCL2 L synchronization output enable bit. When this bit is set to "1", the P71 data register is set to "0" in sync with the L level at the SCL2 pin.

Bit 4 is the bus collision detection sampling clock select bit. The bus collision detection interrupt is generated when RxDi and TxDi level do not conflict with one another. When this bit is "0", a conflict is detected in sync with the rise of the transfer clock. When this bit is "1", detection is made when timer Ai (timer A0 with UART2, timer A3 with UART3 and timer A4 with UART4) underflows. Operation is shown in Figure 1.20.3.

Bit 5 is the transmission enable bit automatic clear select bit. By setting this bit to "1", the transmission bit is automatically reset to "0" when the bus collision detection interrupt factor bit is "1" (when a conflict is detected).

Bit 6 is the transmission start condition select bit. By setting this bit to "1", TxDi transmission starts in sync with the falling at the RxDi pin.

UARTi Special Mode Register

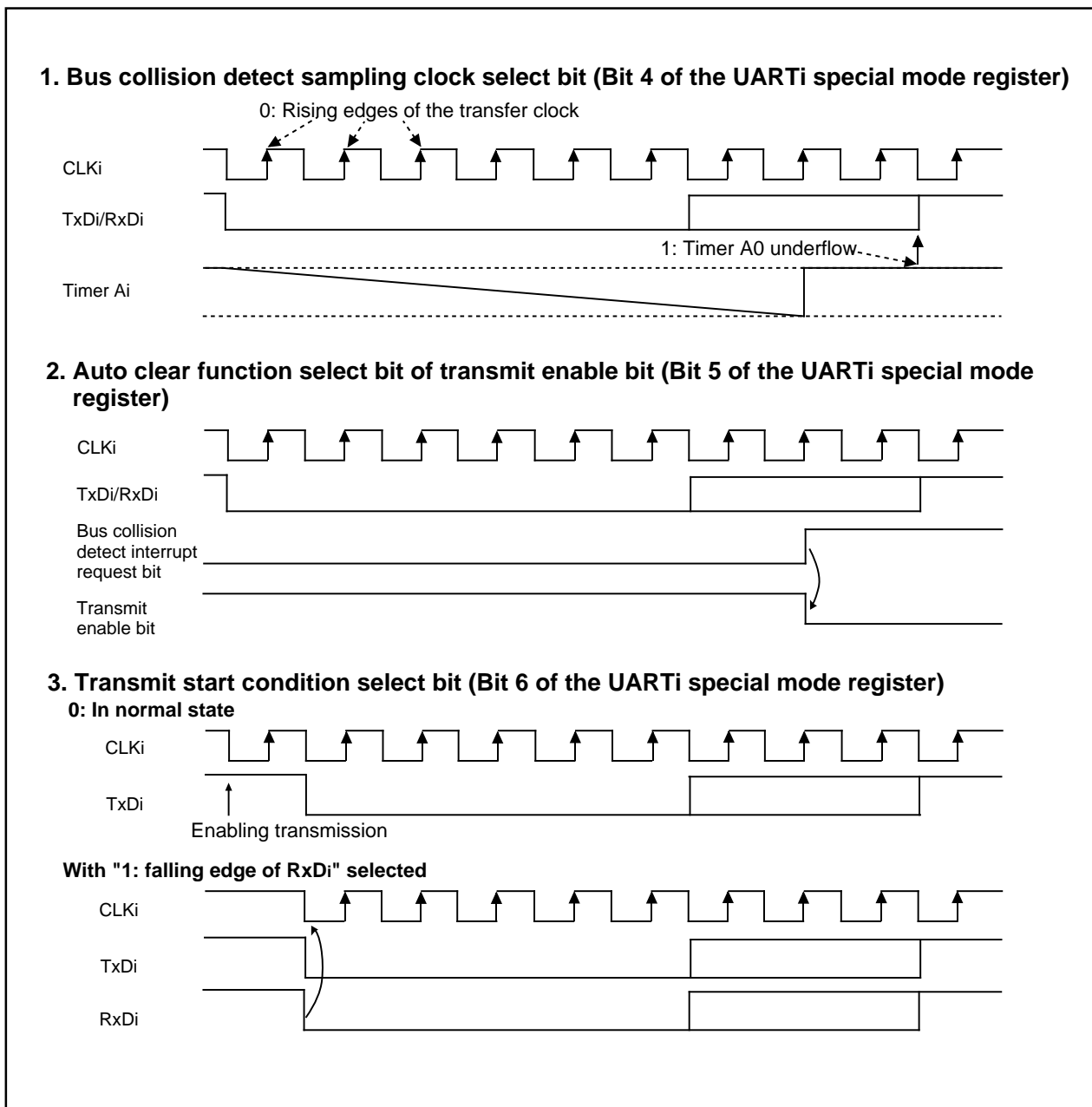


Figure 1.20.3. Some other functions added

## UARTi Special Mode Register

---

### UART2 Special Mode Register 2 (Address 0336<sub>16</sub>)

Bit 0 is the IIC mode select bit 2. Table 1.20.2 gives control changes by bit when the IIC mode select bit is "1". Start and stop condition detection timing characteristics are shown in Figure 1.20.4. Always set bit 7 (start/stop condition control bit) to "1".

Bit 1 is the clock synchronization bit. When this bit is set to "1", if the rise edge is detected at pin SCL2 while the internal SCL is H level, the internal SCL is changed to L level, the baud rate generator value is reloaded and the L sector count starts. Also, while the SCL2 pin is L level, if the internal SCL changes from L level to H, baud rate generator stops counting. If the SCL2 pin is H level, counting restarts. Because of this function, the UART2 transmission-reception clock takes the AND condition for the internal SCL and SCL2 pin signals. This function operates from the clock half period before the 1st rise of the UART2 clock to the 9th rise. To use this function, select the internal clock as the transfer clock.

Bit 2 is the SCL wait output bit. When this bit is set to "1", output from the SCL2 pin is fixed to L level at the clock's 9th rise. When set to "0", the L output lock is released.

Bit 3 is the SDA output stop bit. When this bit is set to "1", an arbitration lost is generated. If the arbitration lost detection flag is "1", the SDA2 pin simultaneously becomes high impedance.

Bit 4 is the UART2 initialize bit. While this bit is set to "1", the following operations are performed when the start condition is detected.

1. The transmission shift register is initialized and the content of the transmission register is transmitted to the transmission shift register. As such, transmission starts with the 1st bit of the next input clock. However, the UART2 output value remains the same as when the start condition was detected, without changing from when the clock is input to when the 1st bit of data is output.
2. The reception shift register is initialized and reception starts with the 1st bit of the next input clock.
3. The SCL wait output bit is set to "1". As such, the SCL2 pin becomes L level at the rise of the 9th bit of the clock.

When UART transmission-reception has been started using this function, the content of the transmission buffer available flag does not change. Also, to use this function, select an external clock as the transfer clock.

Bit 5 is SCL wait output bit 2. When this bit is set to "1" and serial I/O has been selected, an L level can be forcefully output from the SCL2 pin even during UART operation. When this bit is set to "0", the L output from the SCL2 pin is canceled and the UART2 clock is input and output.

Bit 6 is the SDA output disable bit. When this bit is set to "1", the SDA2 pin is forcefully made high impedance. To overwrite this bit, do so at the rise of the UART2 transfer clock. The arbitration lost detection flag may be set.

UARTi Special Mode Register

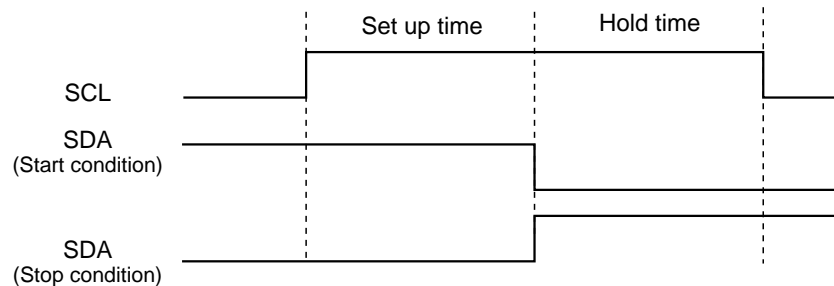
**Table 1.20.2. Functions changed by I<sup>2</sup>C mode select bit 2**

Function	IICM2 = 0	IICM2 = 1
Interrupt no. 33, 35, 37 factor	Acknowledge not detect (NACK)	UART2 transfer (rising edge of )
Interrupt no. 34, 36, 38 factor	Acknowledge detect (ACK)	Acknowledge detect (ACK)
DMA factor	Acknowledge detect (ACK)	Acknowledge detect (ACK)
Data transfer timing from UARTi (i = 2 to 4) receive shift register to receive buffer	Rising edge of the last bit of receive clock	Rising edge of the last bit of receive clock
UARTi(i = 2 to 4) receive / ACK interrupt request generation timing	Rising edge of the last bit of receive clock	Rising edge of the last bit of receive clock

3 to 6 cycles < set up time (Note)

3 to 6 cycles < hold time (Note)

Note : Cycle number shows main clock input oscillation frequency f(XIN) cycle number.



**Figure 1.20.4. Start/stop condition detect timing characteristics**

**UART2 Special Mode Register 3 (Address 0335<sub>16</sub>)**

Bits 5 to 7 are the SDA2 digital delay setting bits. By setting these bits, it is possible to turn the SDA2 delay OFF or set the f(XIN) delay to 2 to 8 cycles.

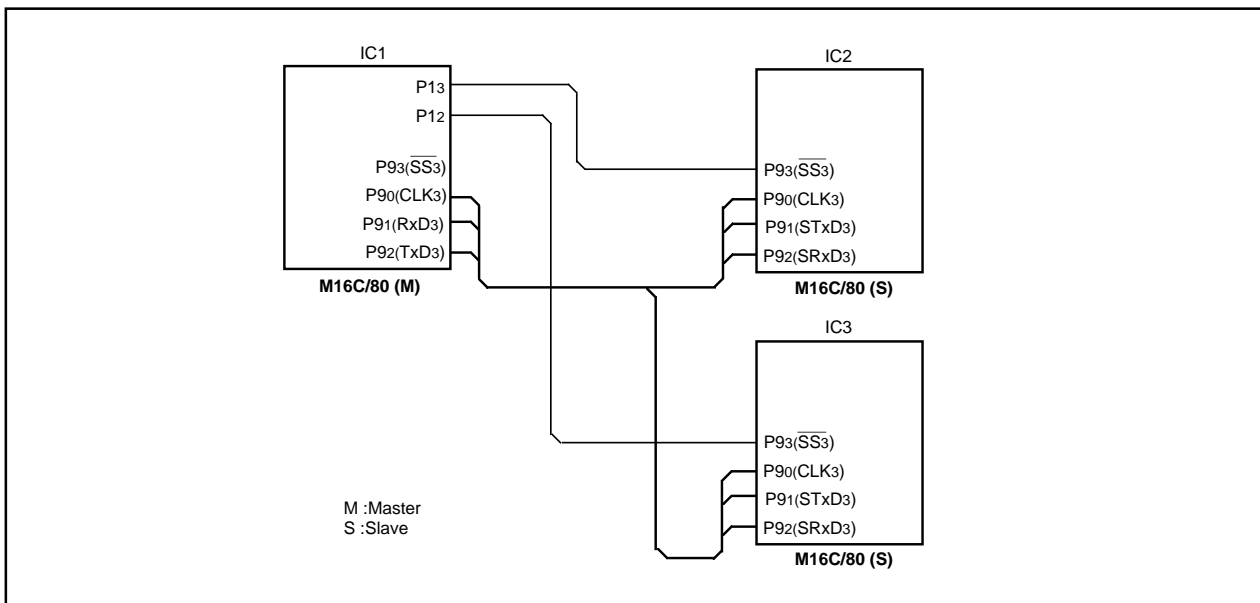


## UARTi Special Mode Register

**(2) Serial Interface Special Function**

UART 3 and UART4 can control communications on the serial bus using the  $\overline{SS}_i$  input pins (Figure 1.20.5). The master outputting the transfer clock transfers data to the slave inputting the transfer clock. In this case, in order to prevent a data collision on the bus, the master floats the output pin of other slaves/masters using the  $\overline{SS}_i$  input pins. Figure 1.20.6 shows the structure of UARTi special mode register 3 (addresses 0325<sub>16</sub> and 02F5<sub>16</sub> [i = 3 or 4]) which controls this mode.

$\overline{SS}_i$  input pins function between the master and slave are as follows.



**Figure 1.20.5 Serial bus communication control example using the  $\overline{SS}_i$  input pins**

**< Slave Mode (STxDi and SRxDi are selected, DINC = 1) >**

When an H level signal is input to an  $\overline{SS}_i$  input pin, the STxDi and SRxDi pins both become high impedance, hence clock input is ignored. When an "L" level signal is input to an  $\overline{SS}_i$  input pin, clock input becomes effective and serial communications are enabled. (i = 3 or 4)

**< Master Mode (TxDi and RxDi are selected, DINC = 0) >**

The  $\overline{SS}_i$  input pins are used with a multiple master system. When an  $\overline{SS}_i$  input pin is H level, transmission has priority and serial communications are enabled. When an L signal is input to an  $\overline{SS}_i$  input pin, another master exists, and the TxDi, RxDi and CLKi pins all become high impedance. Moreover, the trouble error interrupt request bit becomes "1". Communications do not stop even when a trouble error is generated during communications. To stop communications, set bits 0, 1 and 2 of the UARTi transmission-reception mode register (address 0328<sub>16</sub> and 02F8<sub>16</sub> [i = 3 or 4]) to "0".

The trouble error interrupt is used by both the bus collision interrupt and start/stop condition detection interrupts, but the trouble error interrupt itself can be selected by setting bit 0 of UARTi special mode register 3 (address 0325<sub>16</sub> and 02F5<sub>16</sub> [i = 3 or 4]) to "1".

When the trouble error flag is set to "0", output is restored to the clock output and data output pins. In the master mode, if an  $\overline{SS}_i$  input pin is H level, "0" can be written for the trouble error flag. When an  $\overline{SS}_i$  input pin is L level, "0" cannot be written for the trouble error flag. In the slave mode, the "0" can be written for the trouble error flag regardless of the input to the  $\overline{SS}_i$  input pins.

UARTi Special Mode Register

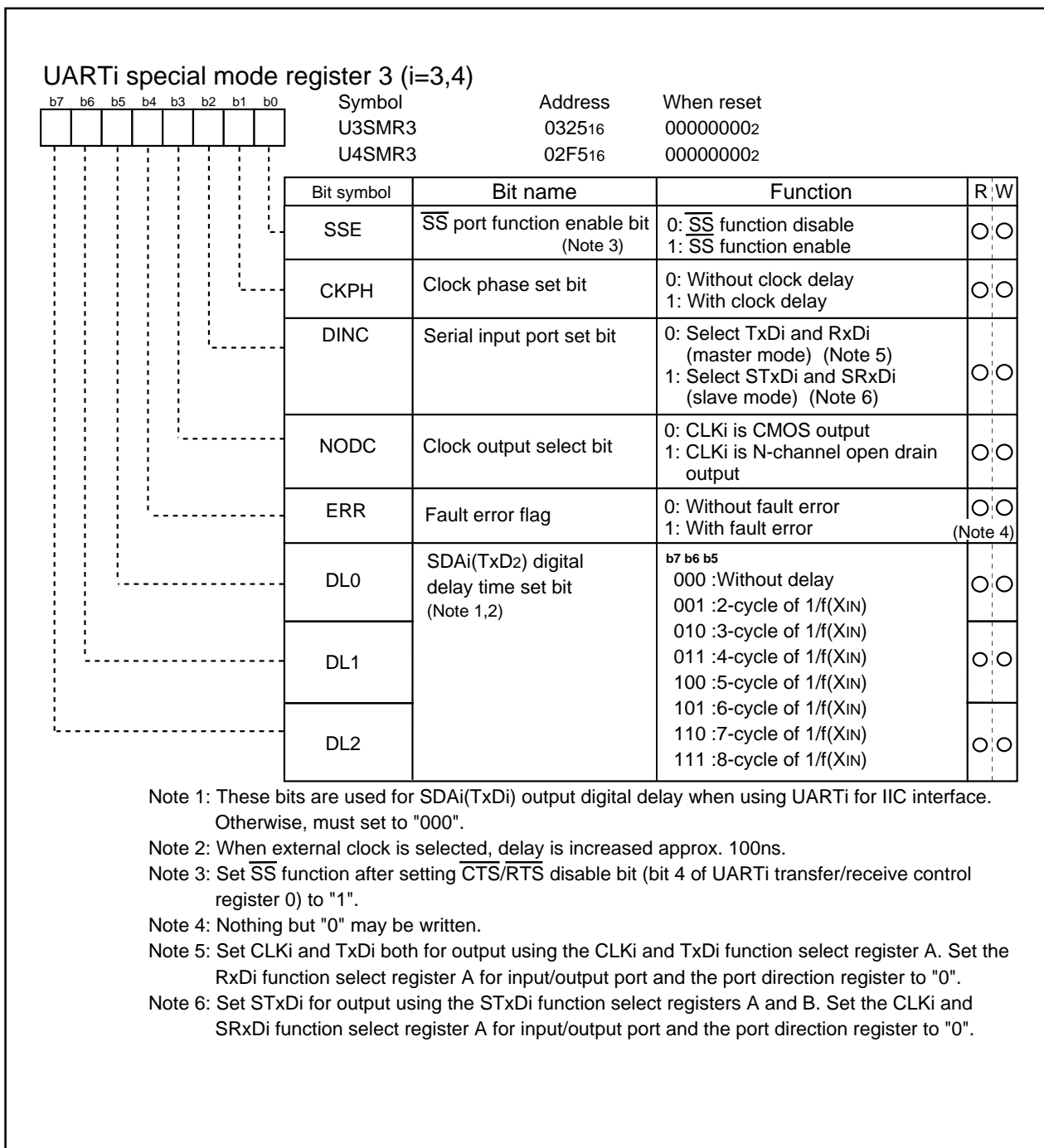


Figure 1.20.6. UARTi special mode register 3 (i=3,4)

## UARTi Special Mode Register

### ■ Clock Phase Setting

With bit 1 of UARTi special mode register 3 (addresses 0325<sub>16</sub> and 02F5<sub>16</sub> [i = 3 or 4]) and bit 6 of UARTi transmission-reception control register 0 (addresses 032C<sub>16</sub> and 02FC<sub>16</sub> [i = 3 or 4]), four combinations of transfer clock phase and polarity can be selected.

Bit 6 of UARTi transmission-reception control register 0 (addresses 032C<sub>16</sub> and 02FC<sub>16</sub> [i = 3 or 4]) sets transfer clock polarity, whereas bit 1 of UARTi special mode register 3 (addresses 0325<sub>16</sub> and 02F5<sub>16</sub> [i = 3 or 4]) sets transfer clock phase.

Transfer clock phase and polarity must be the same between the master and slave involved in the transfer.

#### < Master (Internal Clock) (DINC = 0) >

Figure 1.20.7 shows the transmission and reception timing.

#### < Slave (External Clock) (DINC = 1) >

- With "0" for bit 1 (CKPH) of UARTi special mode register 3 (addresses 0325<sub>16</sub> and 02F5<sub>16</sub> [i = 3 or 4]), when an SSi input pin is H level, output data is high impedance. When an SSi input pin is L level, the serial transmission start condition is satisfied, though output is indeterminate. After that, serial transmission is synchronized with the clock. Figure 1.20.8 shows the timing.
- With "1" for bit 1 (CKPH) of UARTi special mode register 3 (addresses 0325<sub>16</sub> and 02F5<sub>16</sub> [i = 3 or 4]), when an SSi input pin is H level, output data is high impedance. When an SSi input pin is L level, the first data is output. After that, serial transmission is synchronized with the clock. Figure 1.20.9 shows the timing.

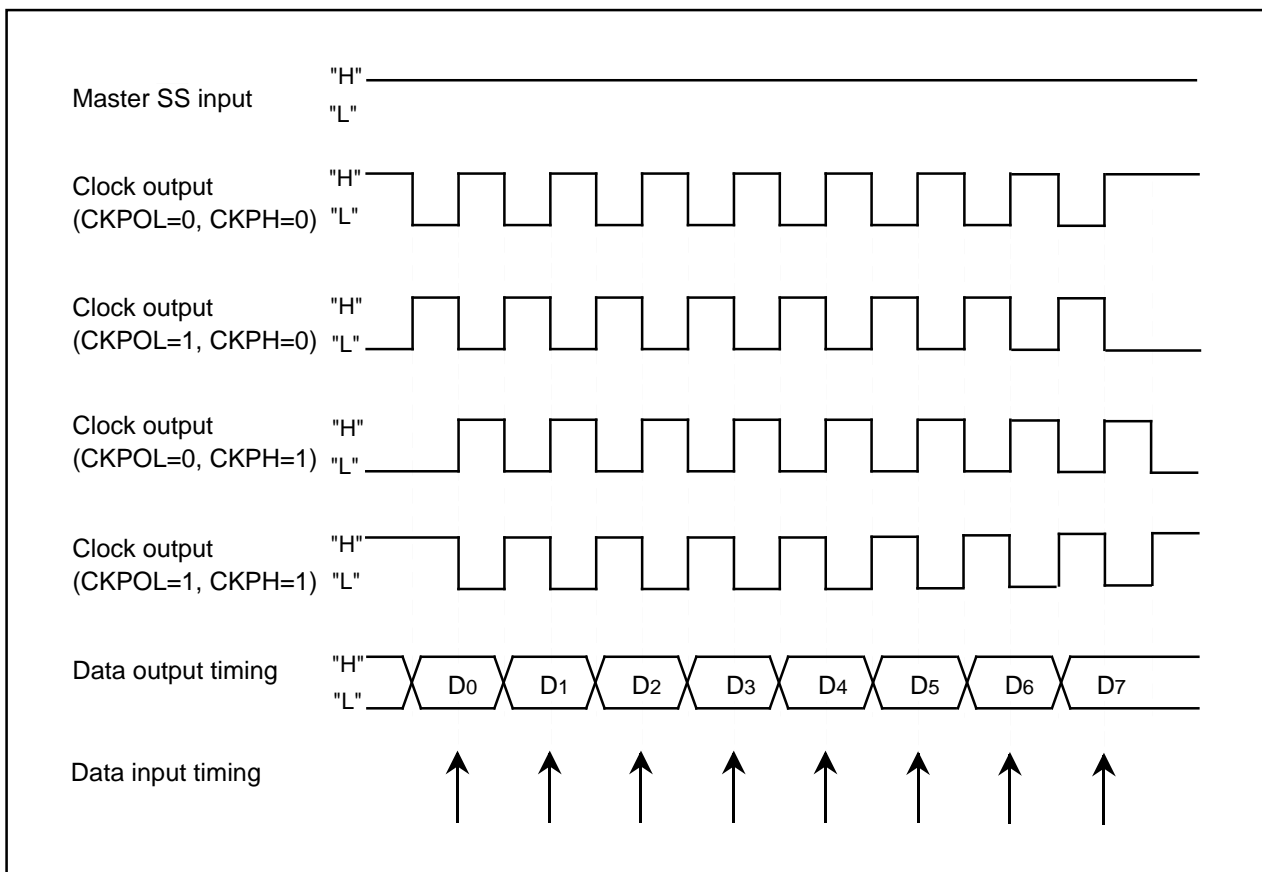


Figure 1.20.7. The transmission and reception timing in master mode (internal clock)

UARTi Special Mode Register

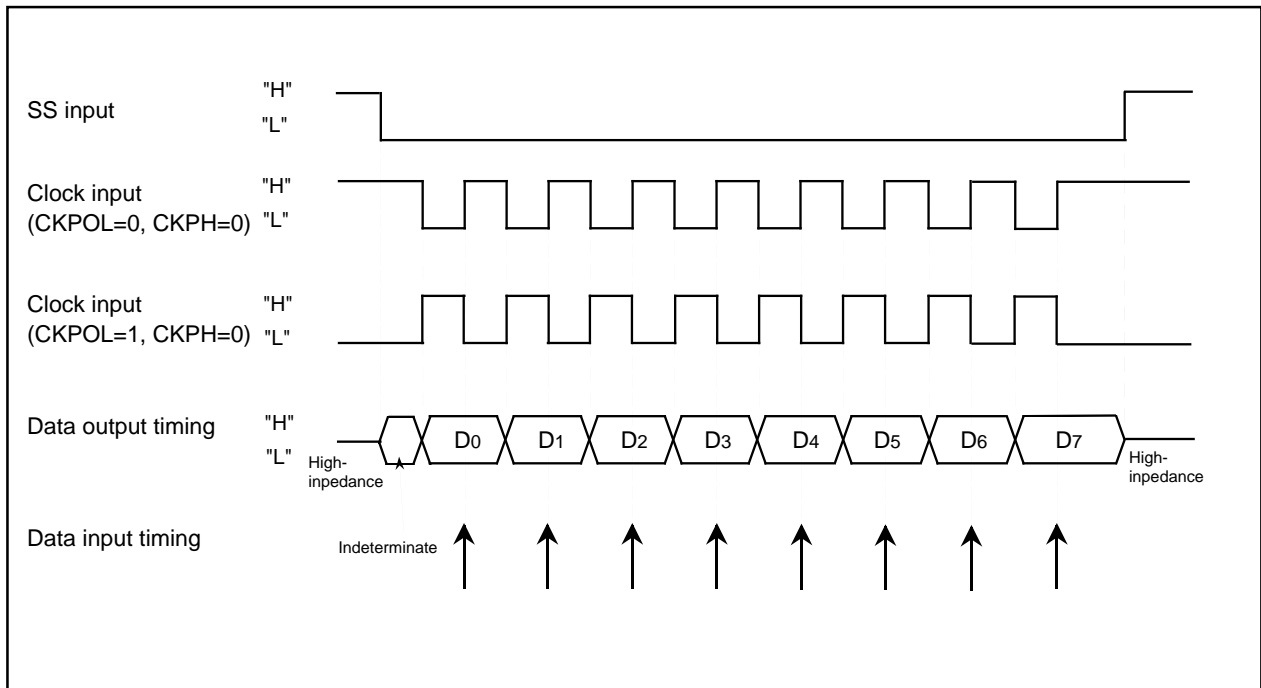


Figure 1.20.8. The transmission and reception timing (CKPH=0) in slave mode (external clock)

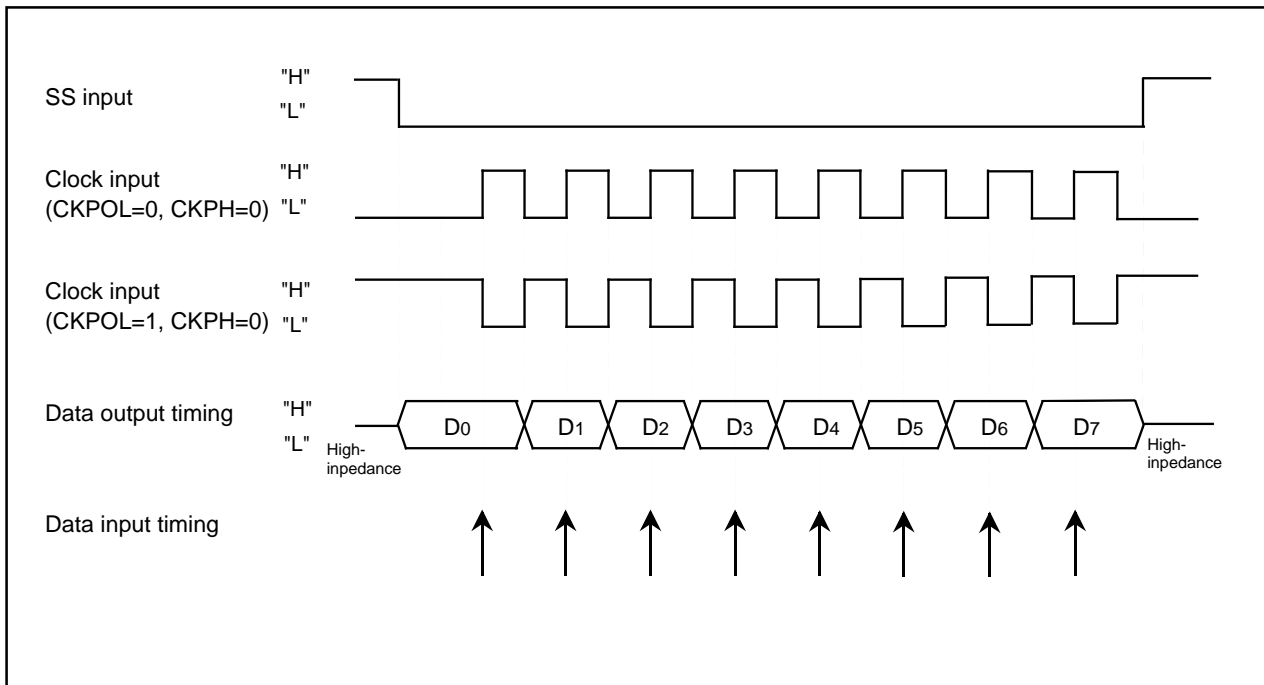


Figure 1.20.9. The transmission and reception timing (CKPH=1) in slave mode (external clock)

## A-D Converter

## A-D Converter

The A-D converter consists of one 10-bit successive approximation A-D converter circuit with a capacitive coupling amplifier. Pins P100 to P107, P95, and P96 also function as the analog signal input pins. The direction registers of these pins for A-D conversion must therefore be set to input. The Vref connect bit (bit 5 at address 0397<sub>16</sub>) can be used to isolate the resistance ladder of the A-D converter from the reference voltage input pin (VREF) when the A-D converter is not used. Doing so stops any current flowing into the resistance ladder from VREF, reducing the power dissipation. When using the A-D converter, start A-D conversion only after setting bit 5 of 0397<sub>16</sub> to connect VREF.

The result of A-D conversion is stored in the A-D registers of the selected pins. When set to 10-bit precision, the low 8 bits are stored in the even addresses and the high 2 bits in the odd addresses. When set to 8-bit precision, the low 8 bits are stored in the even addresses.

Table 1.21.1 shows the performance of the A-D converter. Figure 1.21.1 shows the block diagram of the A-D converter, and Figures 1.21.2 and 1.21.3 show the A-D converter-related registers.

Table 1.21.1. Performance of A-D converter

Item	Performance
Method of A-D conversion	Successive approximation (capacitive coupling amplifier)
Analog input voltage (Note 1)	0V to AVCC (VCC)
Operating clock f <sub>AD</sub> (Note 2)	VCC = 5V      f <sub>AD</sub> , f <sub>AD</sub> /2, f <sub>AD</sub> /4      f <sub>AD</sub> =f(XIN)
	VCC = 3V      f <sub>AD</sub> /2, f <sub>AD</sub> /4      f <sub>AD</sub> =f(XIN)
Resolution	8-bit or 10-bit (selectable)
Absolute precision	VCC = 5V <ul style="list-style-type: none"> <li>• 8-bit resolution ±2LSB</li> <li>• 10-bit resolution ±3LSB</li> </ul> However, when using AN <sub>0</sub> to AN <sub>7</sub> in the mode which external operation amp is connected : ±7LSB VCC = 3V <ul style="list-style-type: none"> <li>• Without sample and hold function (8-bit resolution) ±2LSB</li> </ul>
Operating modes	One-shot mode, repeat mode, single sweep mode, repeat sweep mode 0, and repeat sweep mode 1
Analog input pins	8 pins (AN <sub>0</sub> to AN <sub>7</sub> ) + 2 pins (ANEX <sub>0</sub> and ANEX <sub>1</sub> )
A-D conversion start condition	<ul style="list-style-type: none"> <li>• Software trigger A-D conversion starts when the A-D conversion start flag changes to "1"</li> <li>• External trigger (can be retriggered) A-D conversion starts when the A-D conversion start flag is "1" and the <math>\overline{\text{ADTRG}}/\text{P97}</math> input changes from "H" to "L"</li> </ul>
Conversion speed per pin	<ul style="list-style-type: none"> <li>• Without sample and hold function 8-bit resolution: 49 f<sub>AD</sub> cycles, 10-bit resolution: 59 f<sub>AD</sub> cycles</li> <li>• With sample and hold function 8-bit resolution: 28 f<sub>AD</sub> cycles, 10-bit resolution: 33 f<sub>AD</sub> cycles</li> </ul>

Note 1: Does not depend on use of sample and hold function.

Note 2: When f(XIN) is over 10 MHz, the f<sub>AD</sub> frequency must be under 10 MHz by dividing.

Without sample and hold function, set the f<sub>AD</sub> frequency to 250kHz min.

With the sample and hold function, set the f<sub>AD</sub> frequency to 1MHz min.

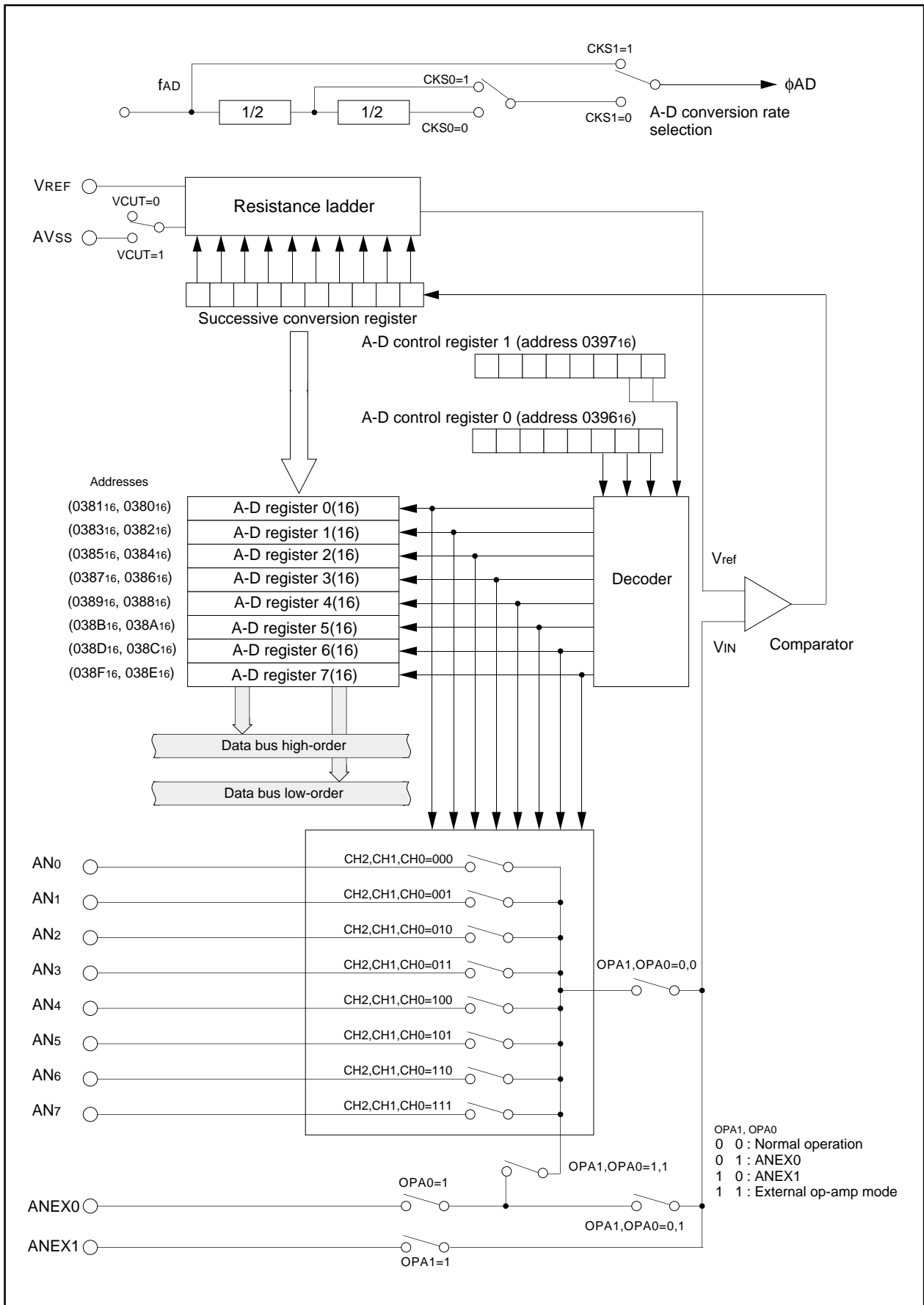


Figure 1.21.1. Block diagram of A-D converter

## A-D Converter

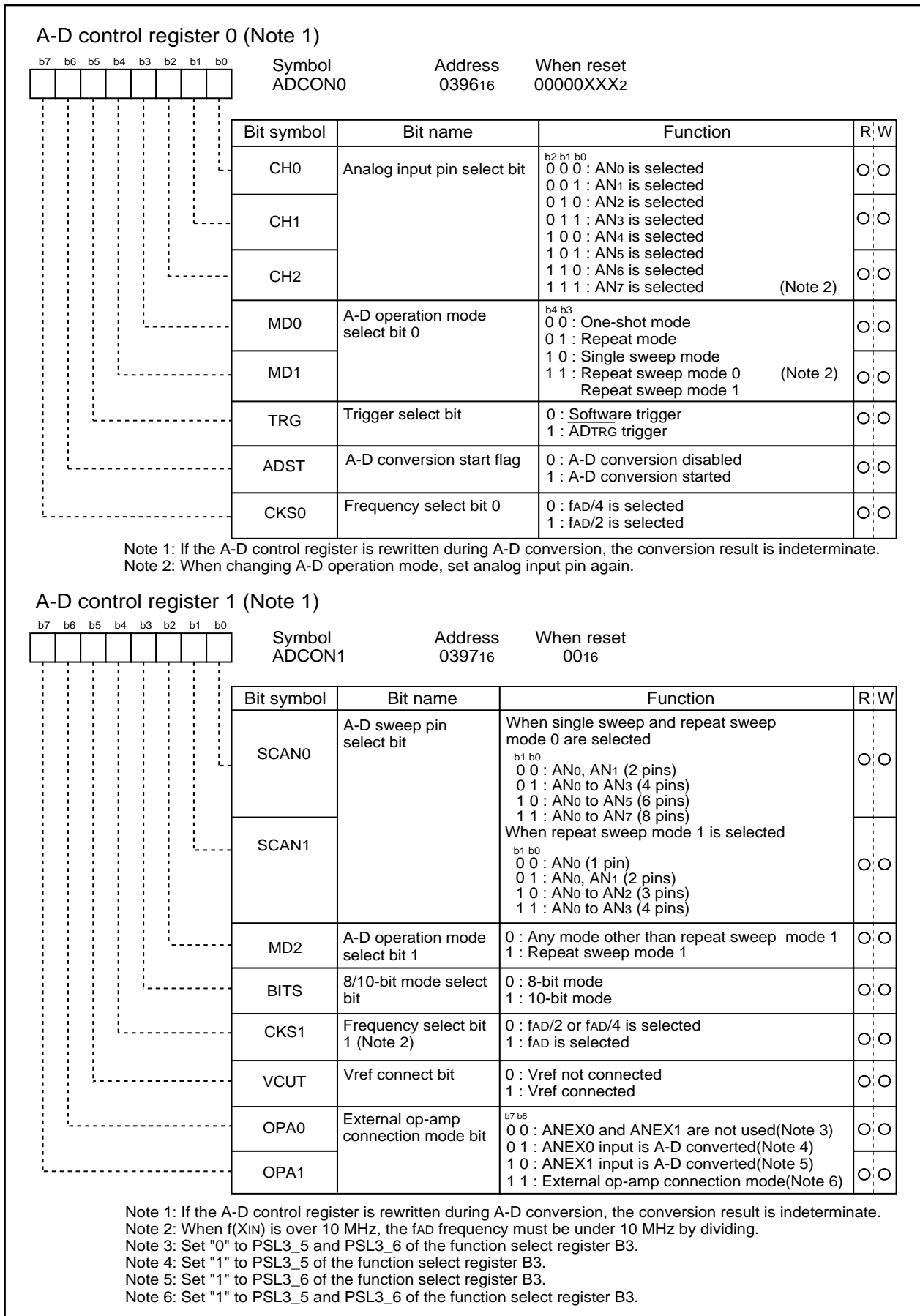


Figure 1.21.2. A-D converter-related registers (1)

A-D Converter

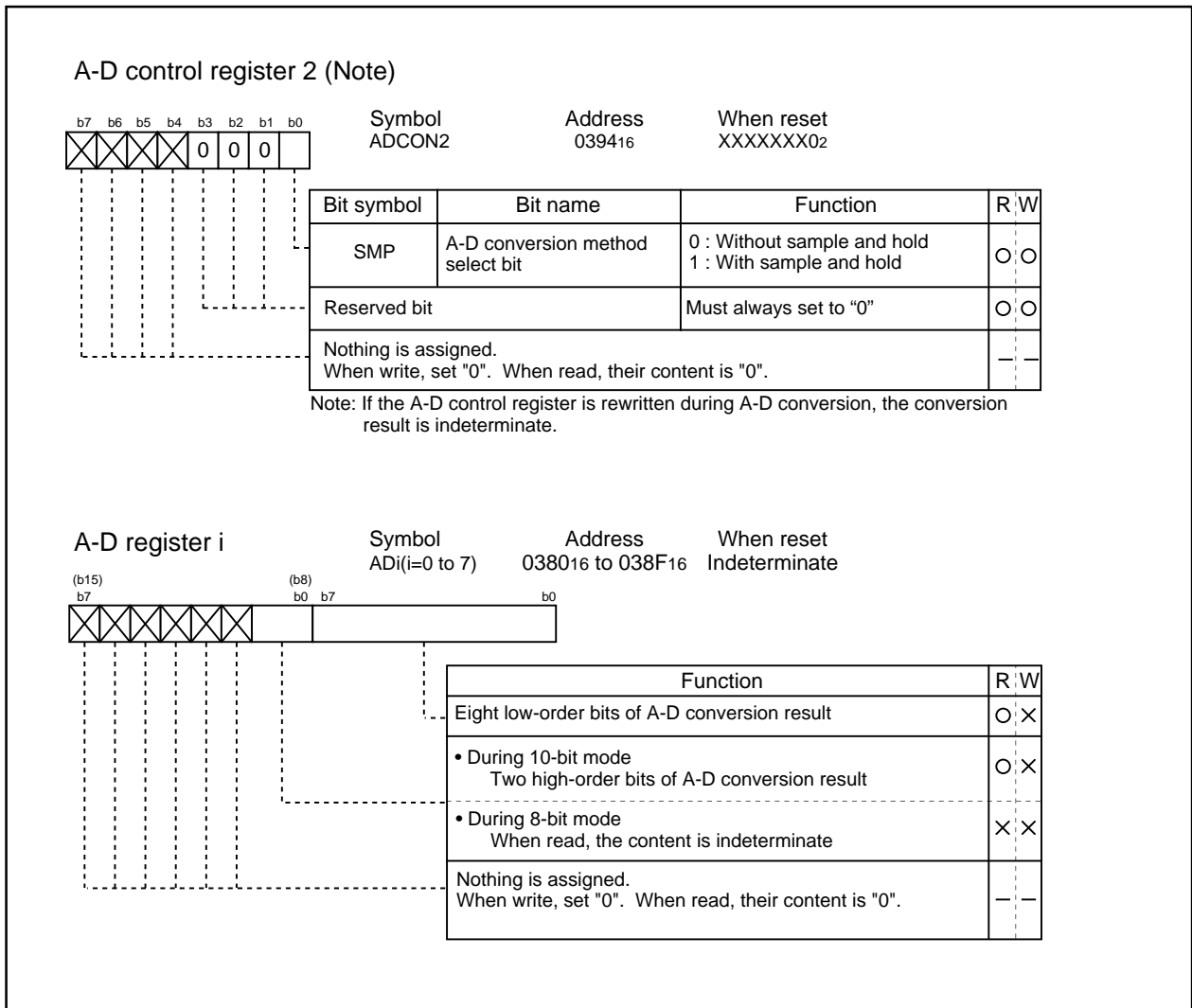


Figure 1.21.3. A-D converter-related registers (2)



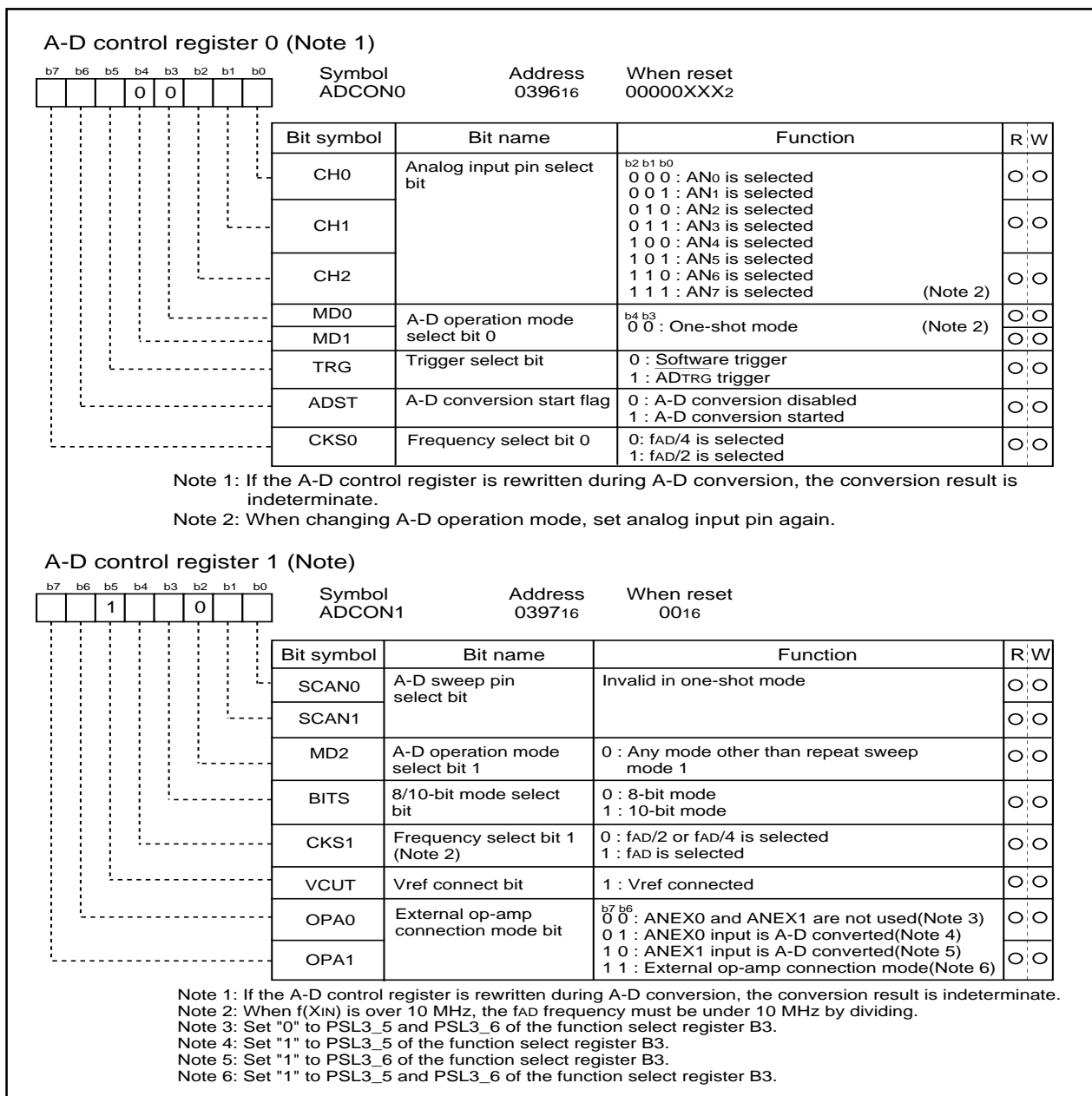
## A-D Converter

**(1) One-shot mode**

In one-shot mode, the pin selected using the analog input pin select bit is used for one-shot A-D conversion. Table 1.21.2 shows the specifications of one-shot mode. Figure 1.21.4 shows the A-D control register in one-shot mode.

**Table 1.21.2. One-shot mode specifications**

Item	Specification
Function	The pin selected by the analog input pin select bit is used for one A-D conversion
Start condition	Writing "1" to A-D conversion start flag
Stop condition	<ul style="list-style-type: none"> <li>End of A-D conversion (A-D conversion start flag changes to "0", except when external trigger is selected)</li> <li>Writing "0" to A-D conversion start flag</li> </ul>
Interrupt request generation timing	End of A-D conversion
Input pin	One of AN0 to AN7, as selected
Reading of result of A-D converter	Read A-D register corresponding to selected pin

**Figure 1.21.4. A-D conversion register in one-shot mode**

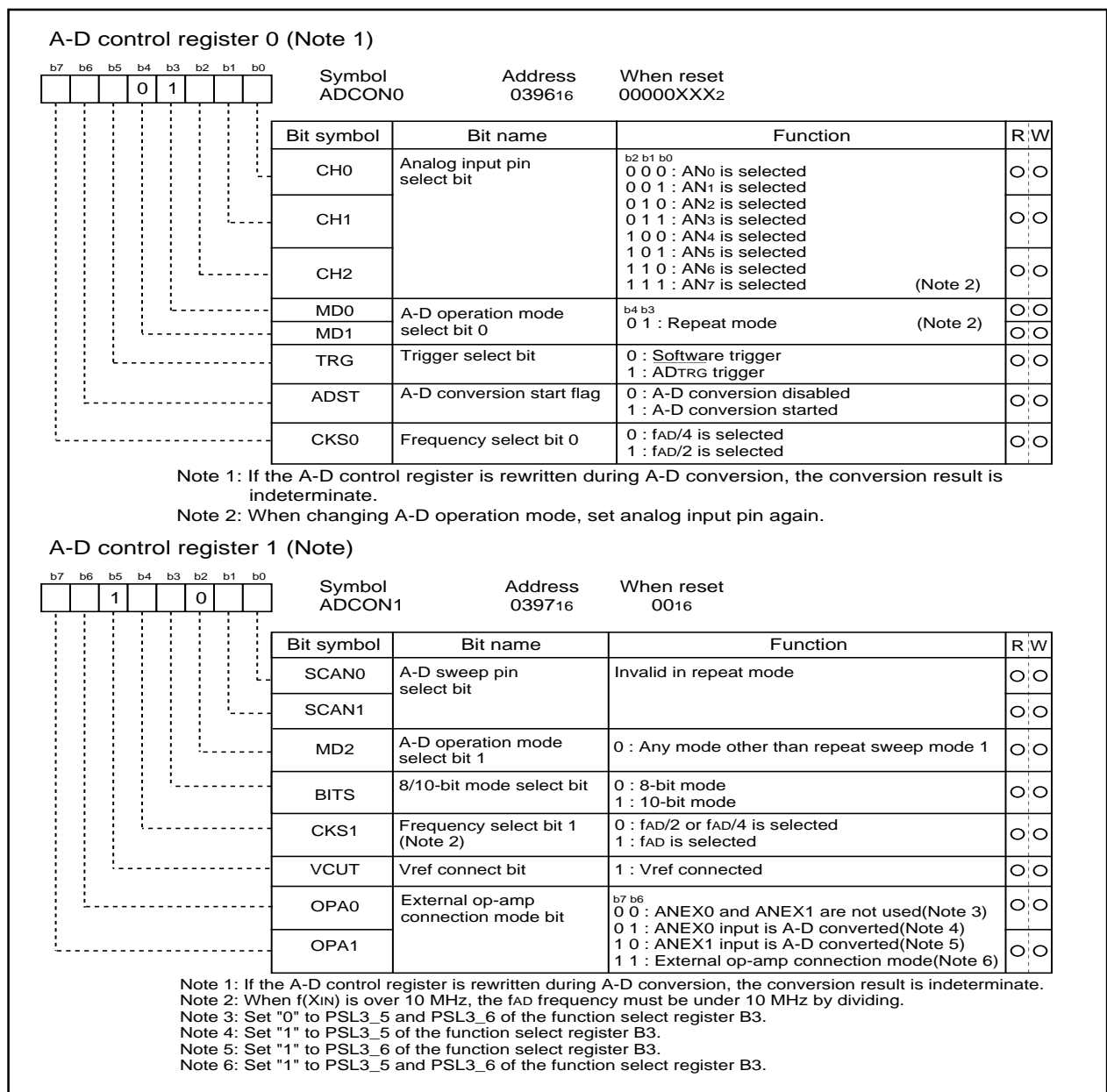
## A-D Converter

**(2) Repeat mode**

In repeat mode, the pin selected using the analog input pin select bit is used for repeated A-D conversion. Table 1.21.3 shows the specifications of repeat mode. Figure 1.21.5 shows the A-D control register in repeat mode.

**Table 1.21.3. Repeat mode specifications**

Item	Specification
Function	The pin selected by the analog input pin select bit is used for repeated A-D conversion
Start condition	Writing "1" to A-D conversion start flag
Stop condition	Writing "0" to A-D conversion start flag
Interrupt request generation timing	None generated
Input pin	One of AN0 to AN7, as selected
Reading of result of A-D converter	Read A-D register corresponding to selected pin (at any time)

**Figure 1.21.5. A-D conversion register in repeat mode**

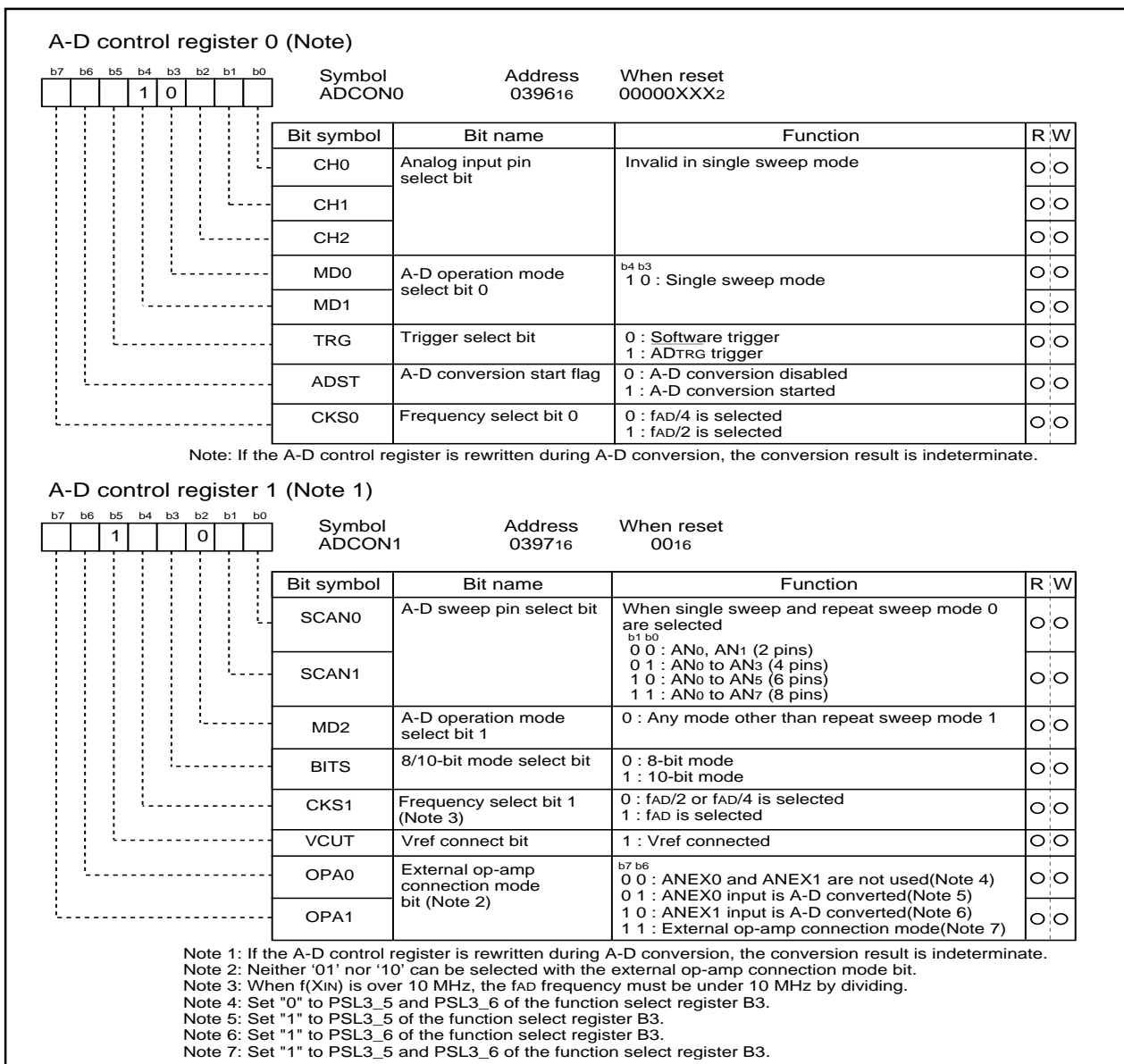
## A-D Converter

**(3) Single sweep mode**

In single sweep mode, the pins selected using the A-D sweep pin select bit are used for one-by-one A-D conversion. Table 1.21.4 shows the specifications of single sweep mode. Figure 1.21.6 shows the A-D control register in single sweep mode.

**Table 1.21.4. Single sweep mode specifications**

Item	Specification
Function	The pins selected by the A-D sweep pin select bit are used for one-by-one A-D conversion
Start condition	Writing "1" to A-D converter start flag
Stop condition	<ul style="list-style-type: none"> <li>End of A-D conversion (A-D conversion start flag changes to "0", except when external trigger is selected)</li> <li>Writing "0" to A-D conversion start flag</li> </ul>
Interrupt request generation timing	End of A-D conversion
Input pin	AN <sub>0</sub> and AN <sub>1</sub> (2 pins), AN <sub>0</sub> to AN <sub>3</sub> (4 pins), AN <sub>0</sub> to AN <sub>5</sub> (6 pins), or AN <sub>0</sub> to AN <sub>7</sub> (8 pins)
Reading of result of A-D converter	Read A-D register corresponding to selected pin

**Figure 1.21.6. A-D conversion register in single sweep mode**

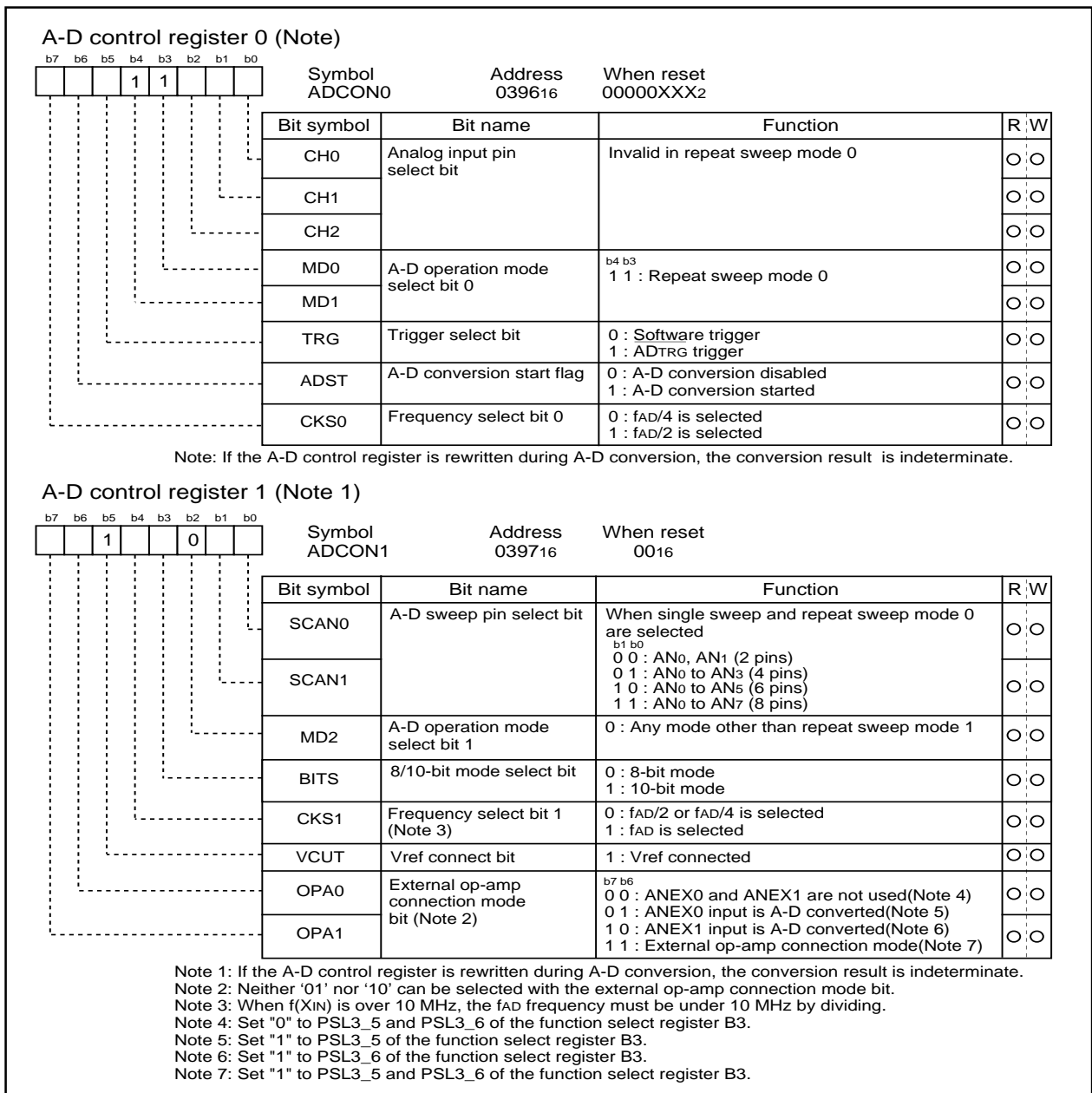
## A-D Converter

**(4) Repeat sweep mode 0**

In repeat sweep mode 0, the pins selected using the A-D sweep pin select bit are used for repeat sweep A-D conversion. Table 1.21.5 shows the specifications of repeat sweep mode 0. Figure 1.21.7 shows the A-D control register in repeat sweep mode 0.

**Table 1.21.5. Repeat sweep mode 0 specifications**

Item	Specification
Function	The pins selected by the A-D sweep pin select bit are used for repeat sweep A-D conversion
Start condition	Writing "1" to A-D conversion start flag
Stop condition	Writing "0" to A-D conversion start flag
Interrupt request generation timing	None generated
Input pin	AN <sub>0</sub> and AN <sub>1</sub> (2 pins), AN <sub>0</sub> to AN <sub>3</sub> (4 pins), AN <sub>0</sub> to AN <sub>5</sub> (6 pins), or AN <sub>0</sub> to AN <sub>7</sub> (8 pins)
Reading of result of A-D converter	Read A-D register corresponding to selected pin (at any time)

**Figure 1.21.7. A-D conversion register in repeat sweep mode 0**

## A-D Converter

**(5) Repeat sweep mode 1**

In repeat sweep mode 1, all pins are used for A-D conversion with emphasis on the pin or pins selected using the A-D sweep pin select bit. Table 1.21.6 shows the specifications of repeat sweep mode 1. Figure 1.21.8 shows the A-D control register in repeat sweep mode 1.

**Table 1.21.6. Repeat sweep mode 1 specifications**

Item	Specification
Function	All pins perform repeat sweep A-D conversion, with emphasis on the pin or pins selected by the A-D sweep pin select bit Example : AN <sub>0</sub> selected AN <sub>0</sub> → AN <sub>1</sub> → AN <sub>0</sub> → AN <sub>2</sub> → AN <sub>0</sub> → AN <sub>3</sub> , etc
Start condition	Writing "1" to A-D conversion start flag
Stop condition	Writing "0" to A-D conversion start flag
Interrupt request generation timing	None generated
Input pin	AN <sub>0</sub> to AN <sub>7</sub>
With emphasis on the pin	AN <sub>0</sub> (1 pin), AN <sub>0</sub> and AN <sub>1</sub> (2 pins), AN <sub>0</sub> to AN <sub>2</sub> (3 pins), AN <sub>0</sub> to AN <sub>3</sub> (4 pins)
Reading of result of A-D converter	Read A-D register corresponding to selected pin (at any time)

**A-D control register 0 (Note)**

Bit	Symbol	Address	When reset
b7			
b6			
b5			
b4			
b3			
b2			
b1			
b0			

Symbol: ADCON0, Address: 0396<sub>16</sub>, When reset: 00000XXX<sub>2</sub>

Bit symbol	Bit name	Function	R	W
CH0	Analog input pin select bit	Invalid in repeat sweep mode 1	○	○
CH1			○	○
CH2			○	○
MD0	A-D operation mode select bit 0	b <sub>4</sub> b <sub>3</sub> 1 1 : Repeat sweep mode 1	○	○
MD1			○	○
TRG	Trigger select bit	0 : Software trigger 1 : ADTRG trigger	○	○
ADST	A-D conversion start flag	0 : A-D conversion disabled 1 : A-D conversion started	○	○
CKS0	Frequency select bit 0	0 : fAD/4 is selected 1 : fAD/2 is selected	○	○

Note: If the A-D control register is rewritten during A-D conversion, the conversion result is indeterminate.

**A-D control register 1 (Note 1)**

Bit	Symbol	Address	When reset
b7			
b6			
b5			
b4			
b3			
b2			
b1			
b0			

Symbol: ADCON1, Address: 0397<sub>16</sub>, When reset: 00<sub>16</sub>

Bit symbol	Bit name	Function	R	W
SCAN0	A-D sweep pin select bit	When repeat sweep mode 1 is selected b <sub>1</sub> b <sub>0</sub> 0 0 : AN <sub>0</sub> (1 pin) 0 1 : AN <sub>0</sub> , AN <sub>1</sub> (2 pins) 1 0 : AN <sub>0</sub> to AN <sub>2</sub> (3 pins) 1 1 : AN <sub>0</sub> to AN <sub>3</sub> (4 pins)	○	○
SCAN1			○	○
MD2	A-D operation mode select bit 1	1 : Repeat sweep mode 1	○	○
BITS	8/10-bit mode select bit	0 : 8-bit mode 1 : 10-bit mode	○	○
CKS1	Frequency select bit 1 (Note 3)	0 : fAD/2 or fAD/4 is selected 1 : fAD is selected	○	○
VCUT	Vref connect bit	1 : Vref connected	○	○
OPA0	External op-amp connection mode bit (Note 2)	b <sub>7</sub> b <sub>6</sub> 0 0 : ANEX0 and ANEX1 are not used (Note 4) 0 1 : ANEX0 input is A-D converted (Note 5) 1 0 : ANEX1 input is A-D converted (Note 6) 1 1 : External op-amp connection mode (Note 7)	○	○
OPA1			○	○

Note 1: If the A-D control register is rewritten during A-D conversion, the conversion result is indeterminate.  
Note 2: Neither '01' nor '10' can be selected with the external op-amp connection mode bit.  
Note 3: When f(XIN) is over 10 MHz, the fAD frequency must be under 10 MHz by dividing.  
Note 4: Set "0" to PSL3\_5 and PSL3\_6 of the function select register B3.  
Note 5: Set "1" to PSL3\_5 of the function select register B3.  
Note 6: Set "1" to PSL3\_6 of the function select register B3.  
Note 7: Set "1" to PSL3\_5 and PSL3\_6 of the function select register B3.

**Figure 1.21.8. A-D conversion register in repeat sweep mode 1**

### (a) Sample and hold

Sample and hold is selected by setting bit 0 of the A-D control register 2 (address 0394<sub>16</sub>) to "1". When sample and hold is selected, the rate of conversion of each pin increases. As a result, a 28 fAD cycle is achieved with 8-bit resolution and 33 fAD with 10-bit resolution. Sample and hold can be selected in all modes. However, in all modes, be sure to specify before starting A-D conversion whether sample and hold is to be used.

### (b) Extended analog input pins

In one-shot mode and repeat mode, the input via the extended analog input pins ANEX0 and ANEX1 can also be converted from analog to digital.

When bit 6 of the A-D control register 1 (address 0397<sub>16</sub>) is "1" and bit 7 is "0", input via ANEX0 is converted from analog to digital. The result of conversion is stored in A-D register 0.

When bit 6 of the A-D control register 1 (address 0397<sub>16</sub>) is "0" and bit 7 is "1", input via ANEX1 is converted from analog to digital. The result of conversion is stored in A-D register 1.

Set the related input peripheral function of the function select register B3 to disabled.

### (c) External operation amp connection mode

In this mode, multiple external analog inputs via the extended analog input pins, ANEX0 and ANEX1, can be amplified together by just one operation amp and used as the input for A-D conversion.

When bit 6 of the A-D control register 1 (address 0397<sub>16</sub>) is "1" and bit 7 is "1", input via AN0 to AN7 is output from ANEX0. The input from ANEX1 is converted from analog to digital and the result stored in the corresponding A-D register. The speed of A-D conversion depends on the response of the external operation amp. Do not connect the ANEX0 and ANEX1 pins directly. Figure 1.21.9 is an example of how to connect the pins in external operation amp mode.

Set the related input peripheral function of the function select register B3 to disabled.

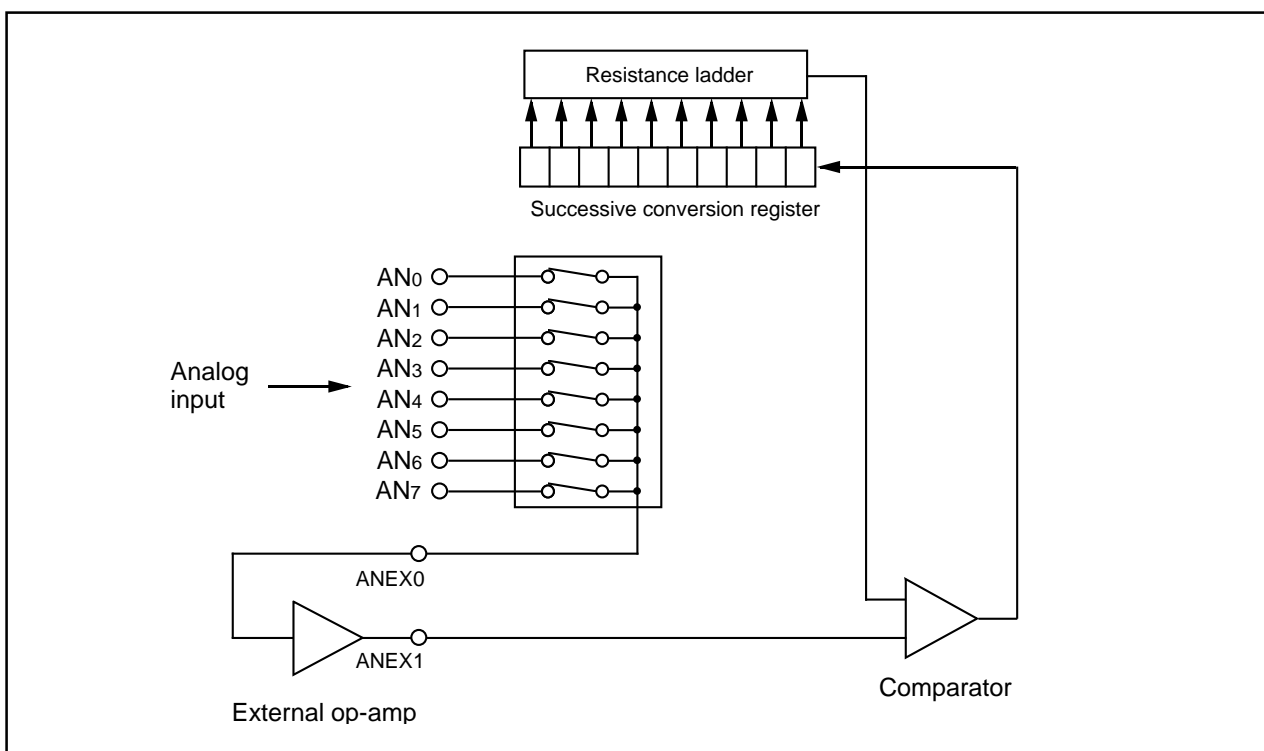


Figure 1.21.9. Example of external op-amp connection mode

## D-A Converter

### D-A Converter

This is an 8-bit, R-2R type D-A converter. The microcomputer contains two independent D-A converters of this type. D-A conversion is performed when a value is written to the corresponding D-A register. Bits 0 and 1 (D-A output enable bits) of the D-A control register decide if the result of conversion is to be output. Set the function select register A to I/O port, the related input peripheral function of the function select register B3 to disabled and the direction register to input mode. When the D-A output is enabled, the pull-up function of the corresponding port is automatically disabled.

Output analog voltage (V) is determined by a set value (n : decimal) in the D-A register.

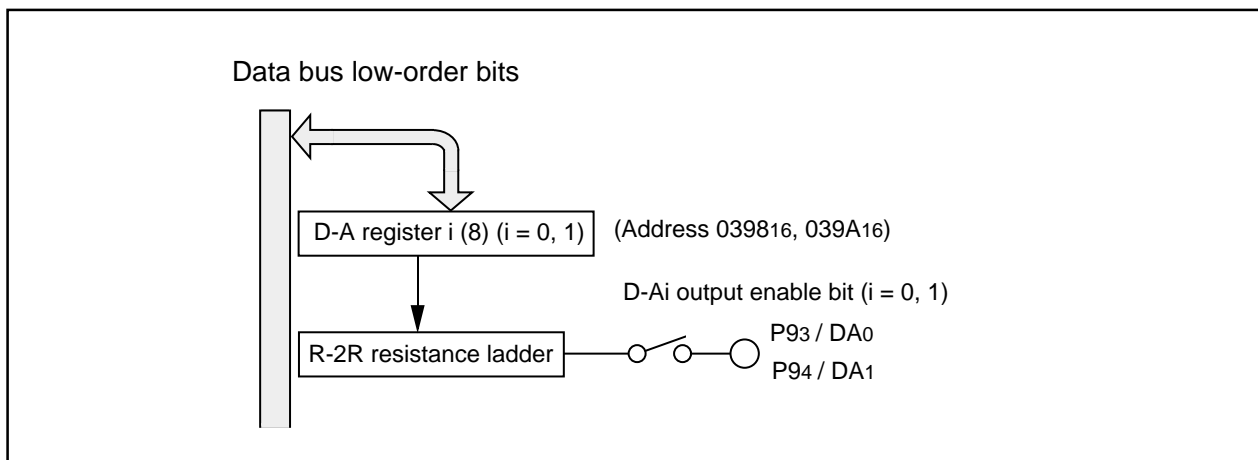
$$V = V_{REF} \times n / 256 \quad (n = 0 \text{ to } 255)$$

$V_{REF}$  : reference voltage

Table 1.22.1 lists the performance of the D-A converter. Figure 1.22.1 shows the block diagram of the D-A converter. Figure 1.22.2 shows the D-A control register.

**Table 1.22.1. Performance of D-A converter**

Item	Performance
Conversion method	R-2R method
Resolution	8 bits
Analog output pin	2 channels



**Figure 1.22.1. Block diagram of D-A converter**

D-A Converter

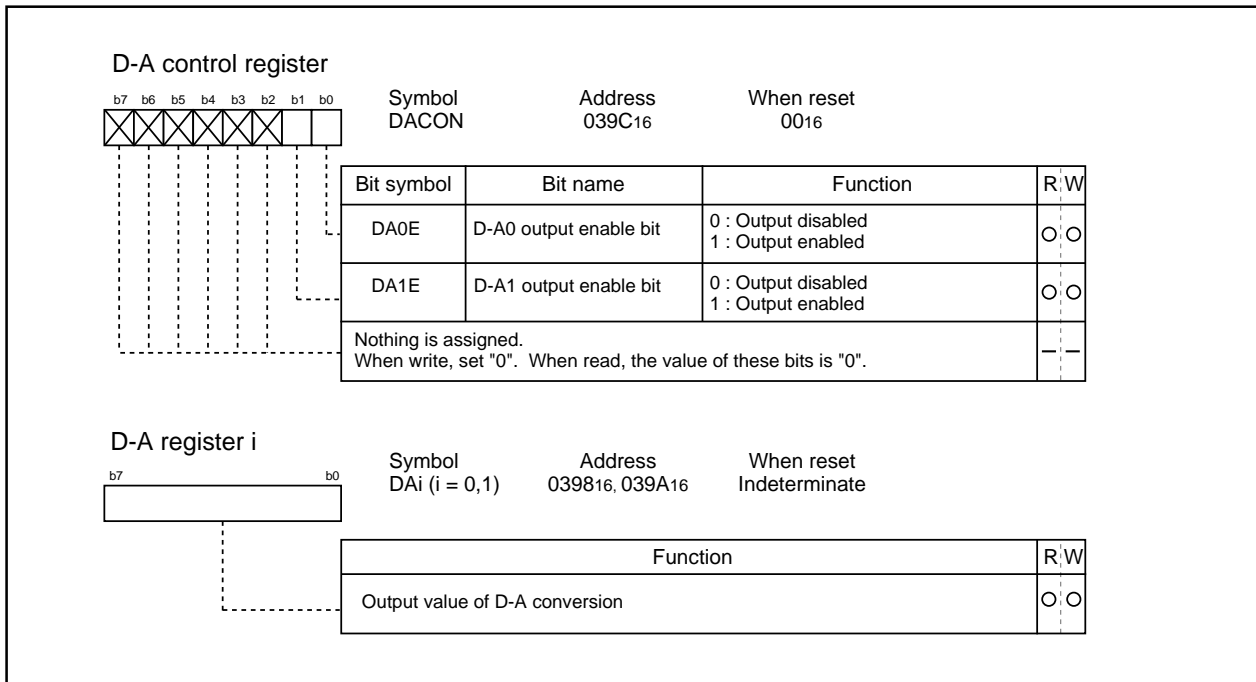


Figure 1.22.2. D-A control register

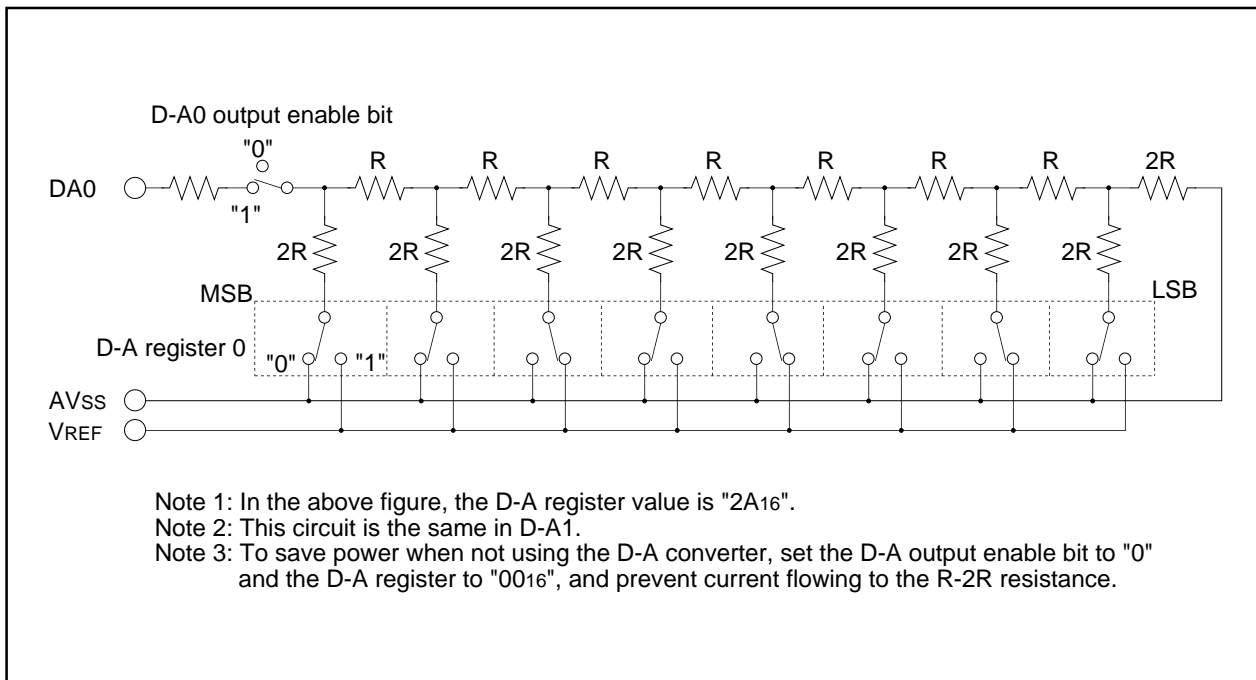


Figure 1.22.3. D-A converter equivalent circuit



# CRC

## CRC Calculation Circuit

The Cyclic Redundancy Check (CRC) calculation circuit detects an error in data blocks. The microcomputer uses a generator polynomial of CRC\_CCITT ( $X^{16} + X^{12} + X^5 + 1$ ) to generate CRC code.

The CRC code is a 16-bit code generated for a block of a given data length in multiples of 8 bits. The CRC code is set in a CRC data register each time one byte of data is transferred to a CRC input register after writing an initial value into the CRC data register. Generation of CRC code for one byte of data is completed in two machine cycles.

Figure 1.23.1 shows the block diagram of the CRC circuit. Figure 1.23.2 shows the CRC-related registers.

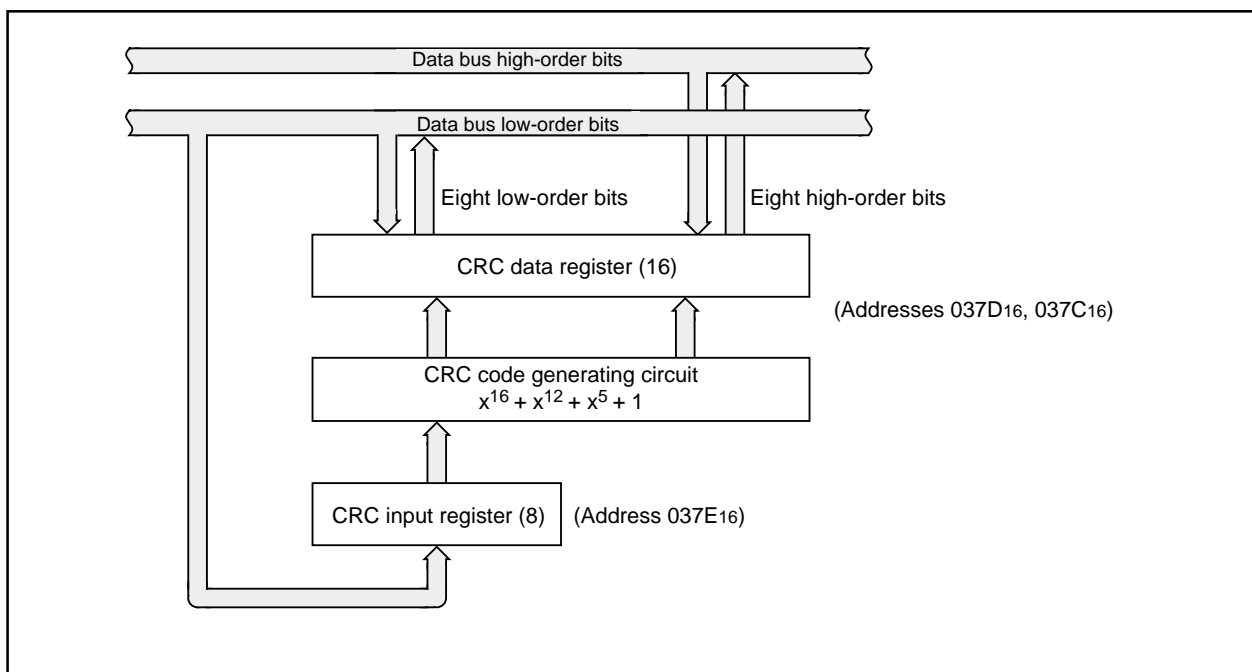


Figure 1.23.1. Block diagram of CRC circuit

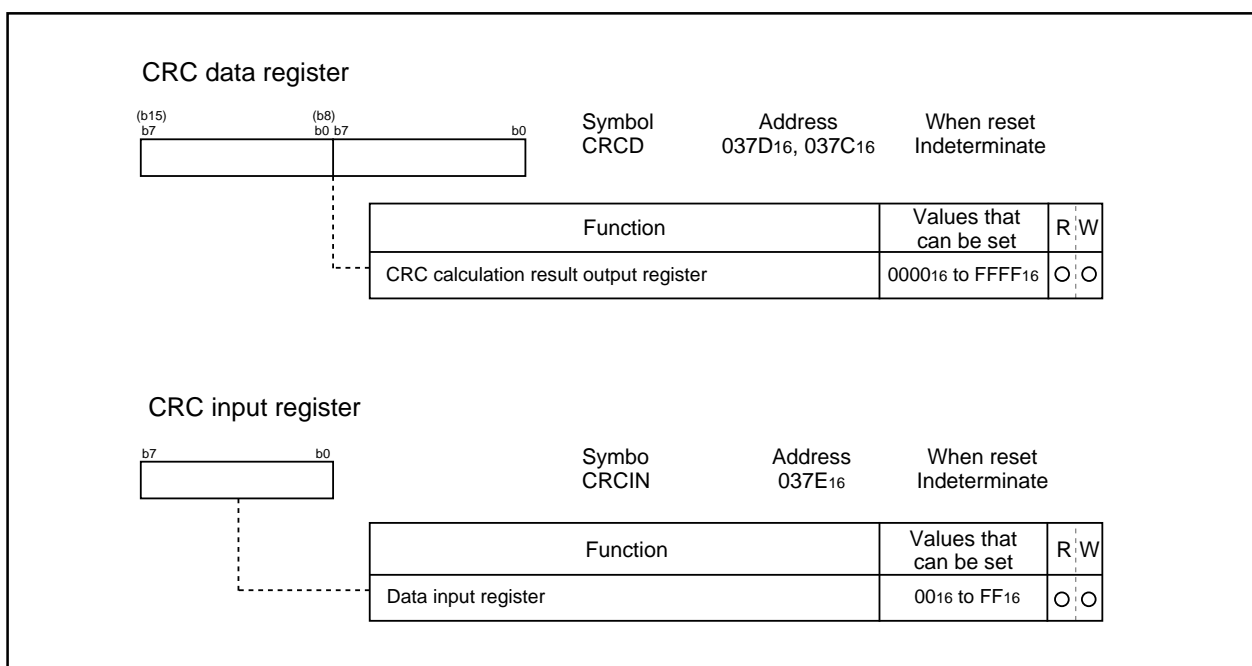


Figure 1.23.2. CRC-related registers



## X-Y Converter

**X-Y Converter**

X-Y conversion rotates the 16 x 16 matrix data by 90 degrees. It can also be used to invert the top and bottom of the 16-bit data. Figure 1.24.1 shows the XY control register.

The Xi and the Yi registers are 16-bit registers. There are 16 of each (where i= 0 to 15).

The Xi and Yi registers are mapped to the same address. The Xi register is a write-only register, while the Yi register is a read-only register. Be sure to access the Xi and Yi registers in 16-bit units from an even address. Operation cannot be guaranteed if you attempt to access these registers in 8-bit units.

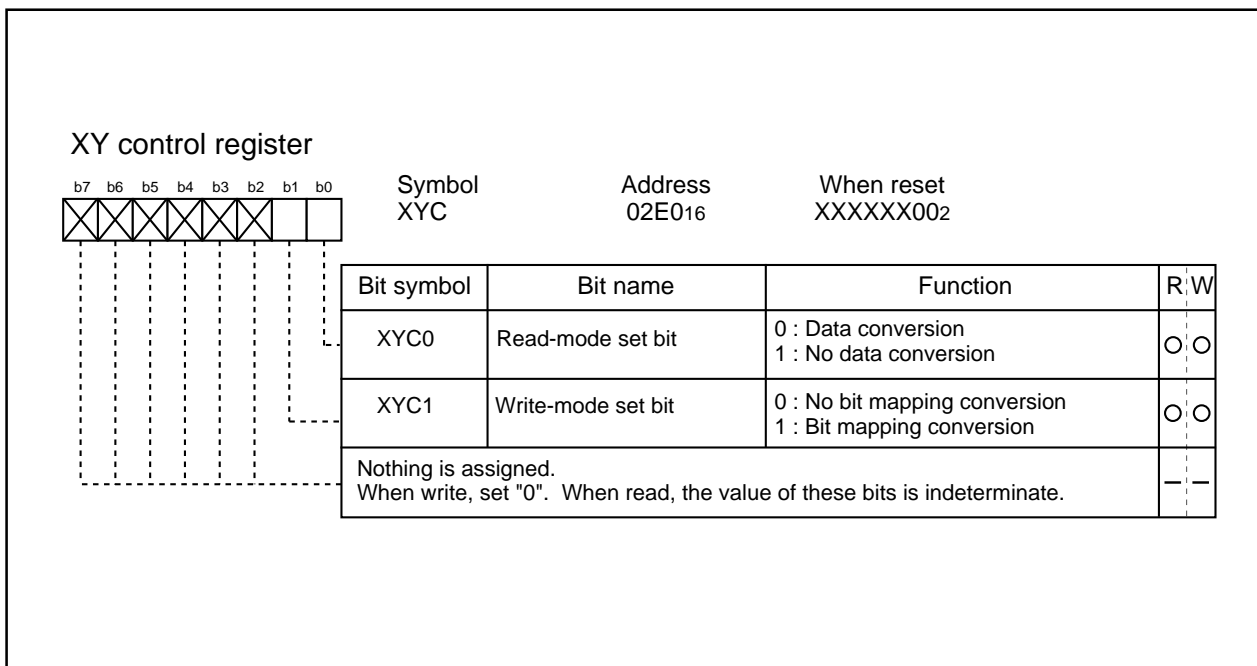


Figure 1.24.1. XY control register

X-Y Converter

The reading of the Yi register is controlled by the read-mode set bit (bit 0 at address 02E016).

When the read-mode set bit (bit 0 at address 02E016) is "0", specific bits in the Xi register can be read at the same time as the Yi register is read.

For example, when you read the Y0 register, bit 0 is read as bit 0 of the X0 register, bit 1 is read as bit 0 of the X1 register, ..., bit 14 is read as bit 0 of the X14 register, bit 15 as bit 0 of the X15 register. Similarly, when you read the Y15 register, bit 0 is bit 15 of the X0 register, bit 1 is bit 15 of the X1 register, ..., bit 14 is bit 15 of the X14 register, bit 15 is bit 15 of the X15 register.

Figure 1.24.2 shows the conversion table when the read mode set bit = "0". Figure 1.24.3 shows the X-Y conversion example.

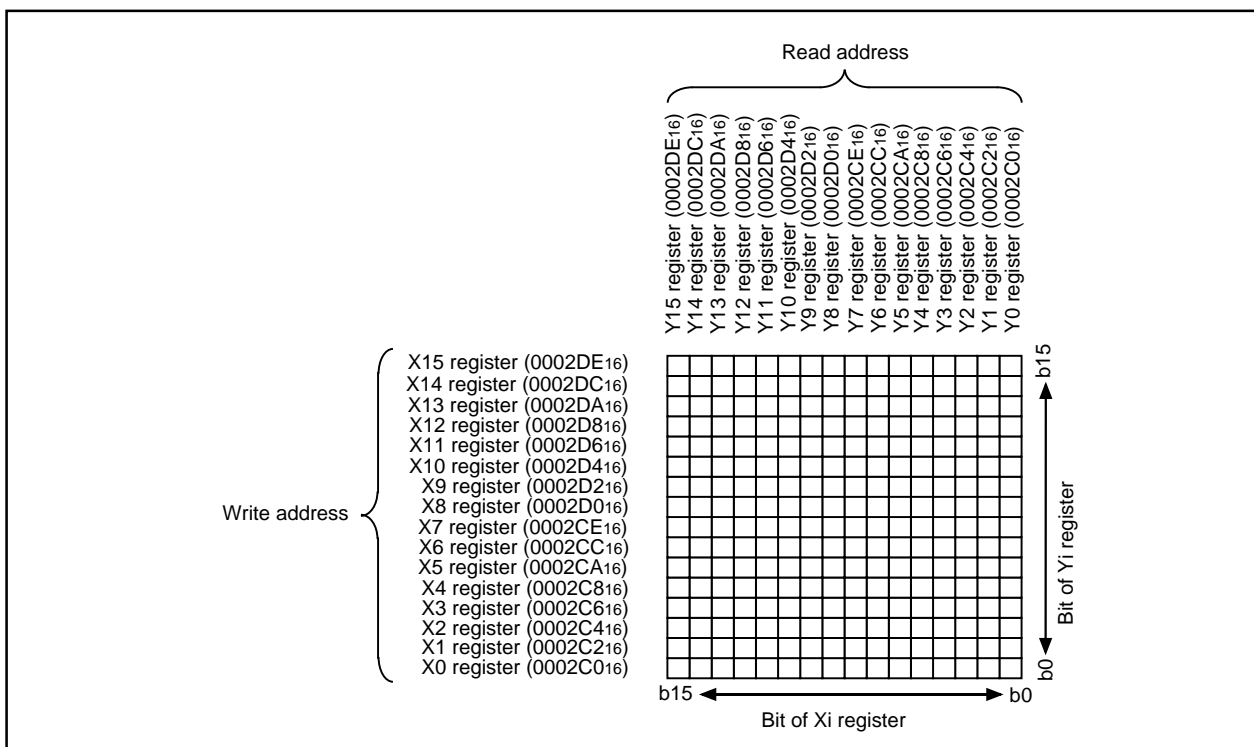


Figure 1.24.2. Conversion table when the read mode set bit = "0"

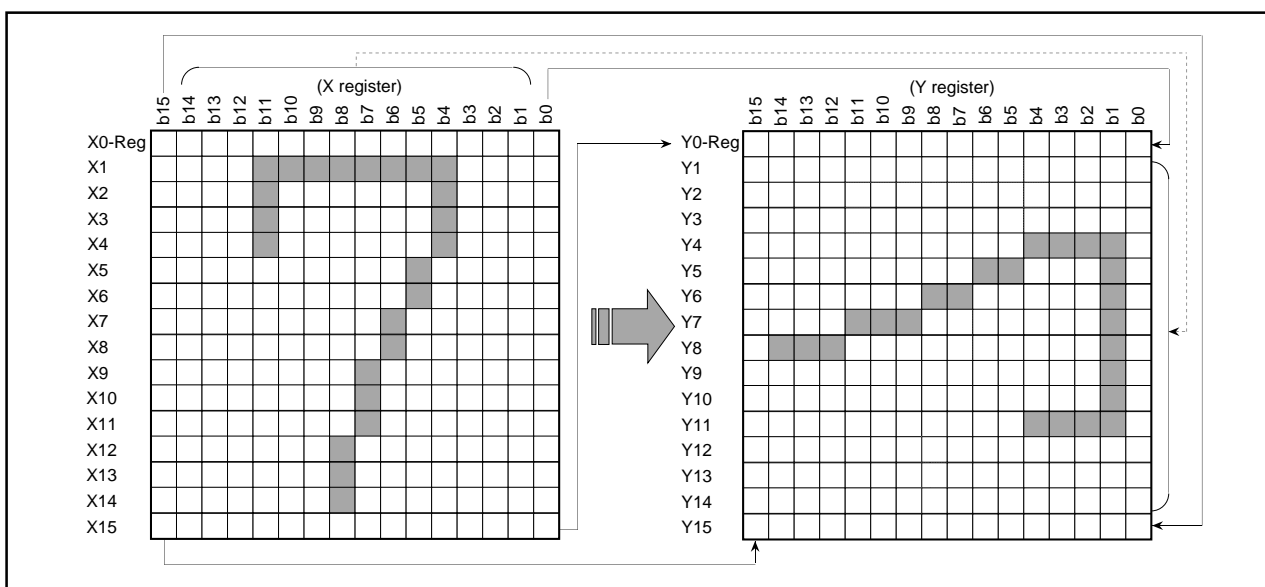


Figure 1.24.3. X-Y conversion example

## X-Y Converter

When the read-mode set bit (bit 0 at address 02E016) is "1", you can read the value written to the  $X_i$  register by reading the  $Y_i$  register. Figure 1.24.4 shows the conversion table when the read mode set bit = "1".

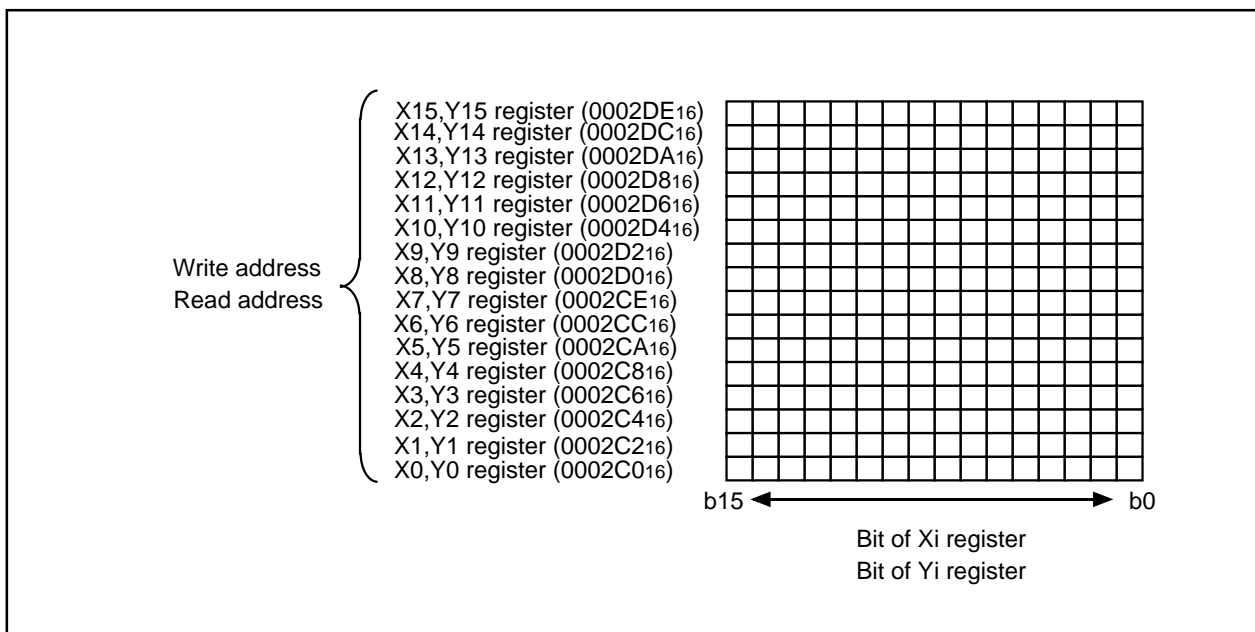


Figure 1.24.4. Conversion table when the read mode set bit = "1"

The value written to the  $X_i$  register is controlled by the write mode set bit (bit 1 at address 02E016).

When the write mode set bit (bit 1 at address 02E016) is "0" and data is written to the  $X_i$  register, the bit stream is written directly.

When the write mode set bit (bit 1 at address 02E016) is "1" and data is written to the  $X_i$  register, the bit sequence is reversed so that the high becomes low and vice versa. Figure 1.24.5 shows the conversion table when the write mode set bit = "1".

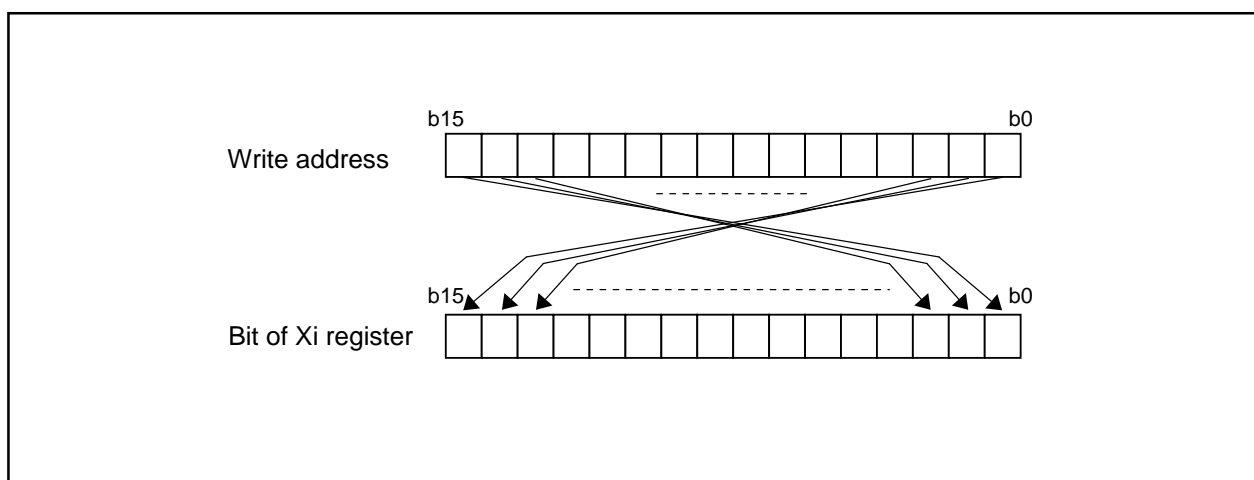


Figure 1.24.5. Conversion table when the write mode set bit = "1"

## DRAM Controller

## DRAM Controller

There is a built in DRAM controller to which it is possible to connect between 512 Kbytes and 8 Mbytes of DRAM. Table 1.25.1 shows the functions of the DRAM controller.

Table 1.25.1. DRAM Controller Functions

DRAM space	512KB, 1MB, 2MB, 4MB, 8MB
Bus control	2CAS/1W
Refresh	CAS before $\overline{\text{RAS}}$ refresh Self refresh-compatible
Function modes	EDO-compatible, fast page mode-compatible
Waits	1 wait or 2 waits, programmable

To use the DRAM controller, use the DRAM space select bit of the DRAM control register (address 0040<sub>16</sub>) to specify the DRAM size. Figure 1.25.1 shows the DRAM control register.

The DRAM controller cannot be used in external memory mode 3 (bits 1 and 2 at address 0005<sub>16</sub> are "112"). Always use the DRAM controller in external memory modes 0, 1, or 2.

When the data bus width is 16-bit in DRAM area, set "1" to R/W mode select bit (bit 2 at address 0004<sub>16</sub>). Set wait time between after DRAM power ON and before memory processing, and processing necessary for dummy cycle to refresh DRAM by software.

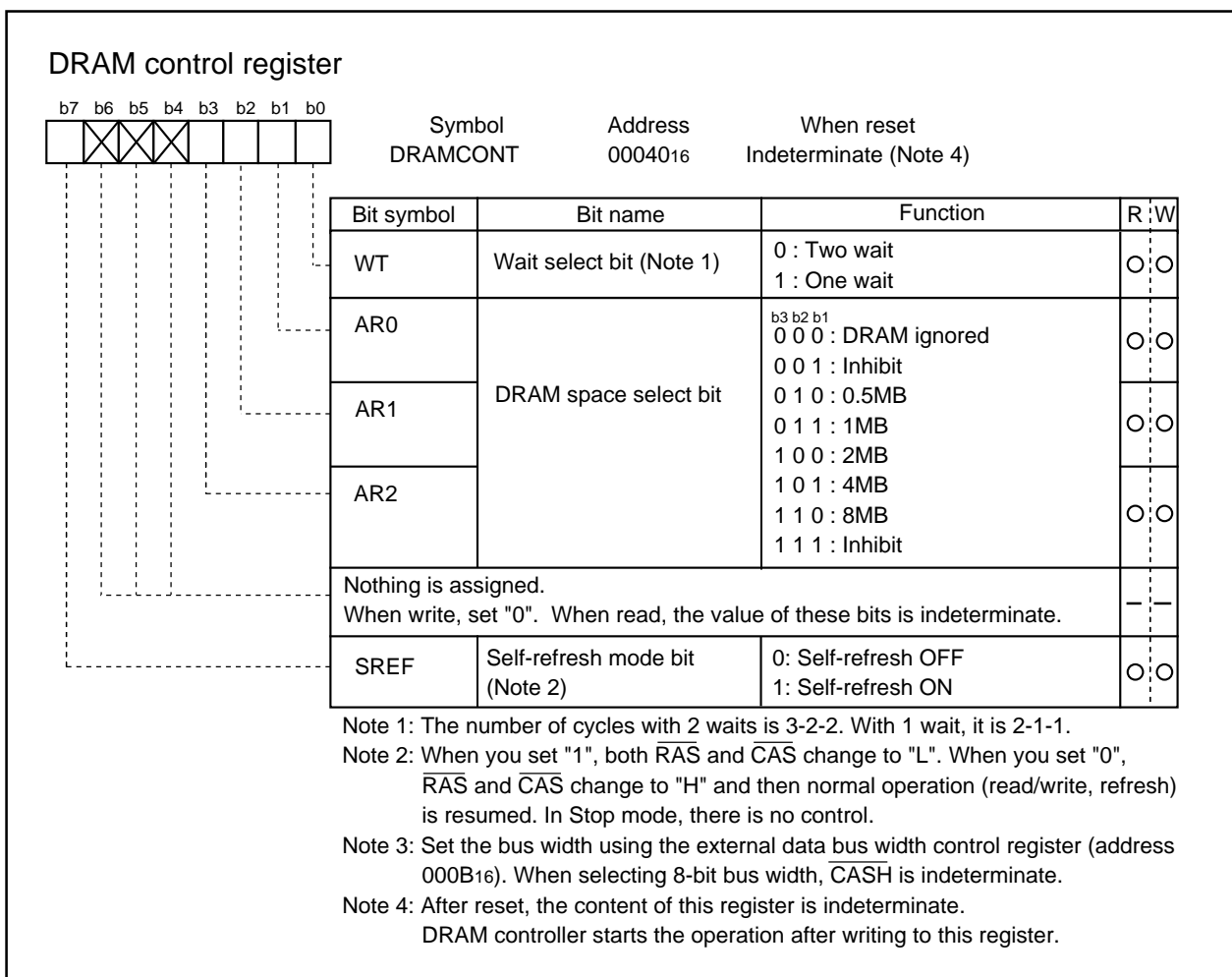


Figure 1.25.1. DRAM control register

DRAM Controller

• DRAM Controller Multiplex Address Output

The DRAM controller outputs the row addresses and column addresses as a multiplexed signal to the address bus A8 to A20. Figure 1.25.2 shows the output format for multiplexed addresses.

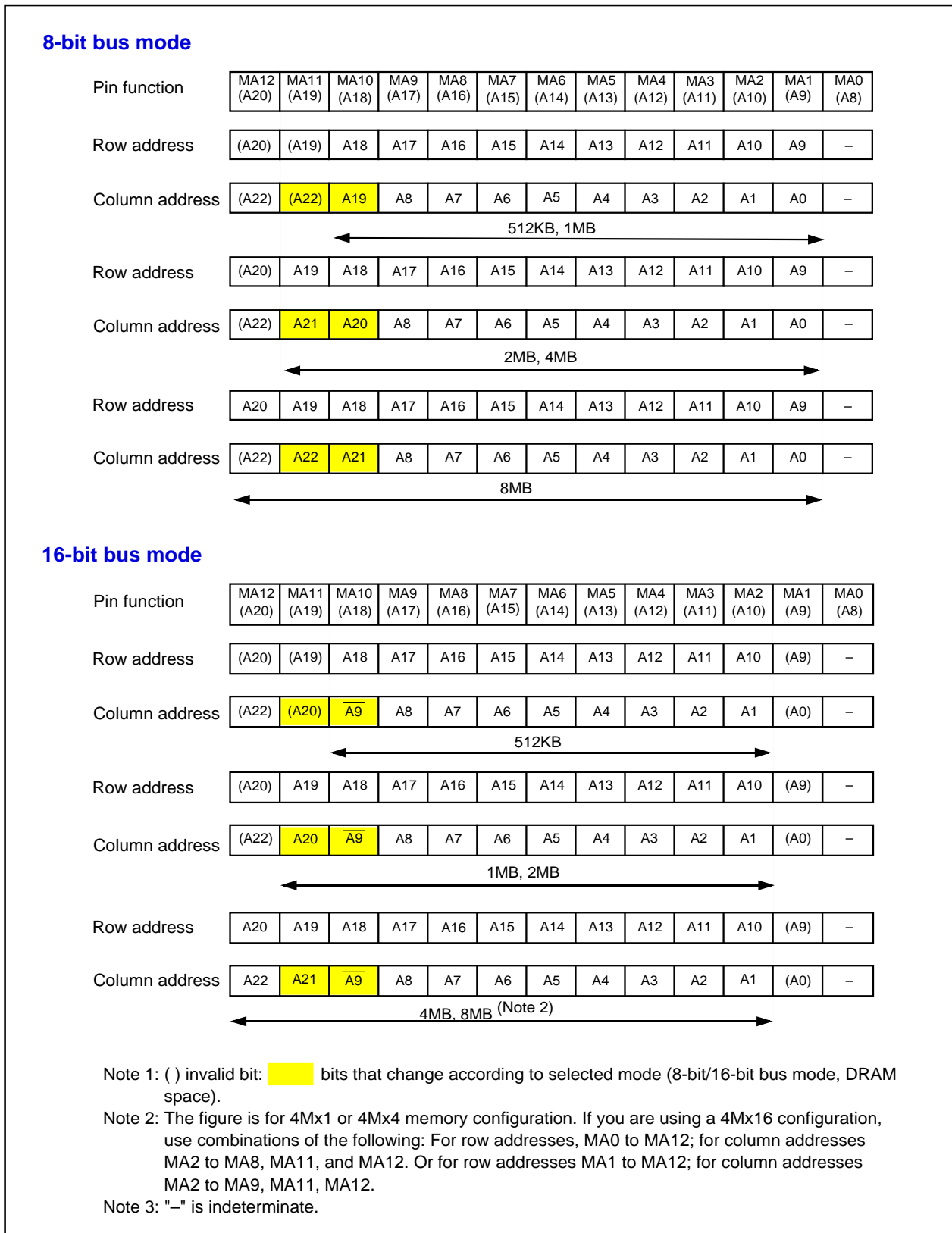


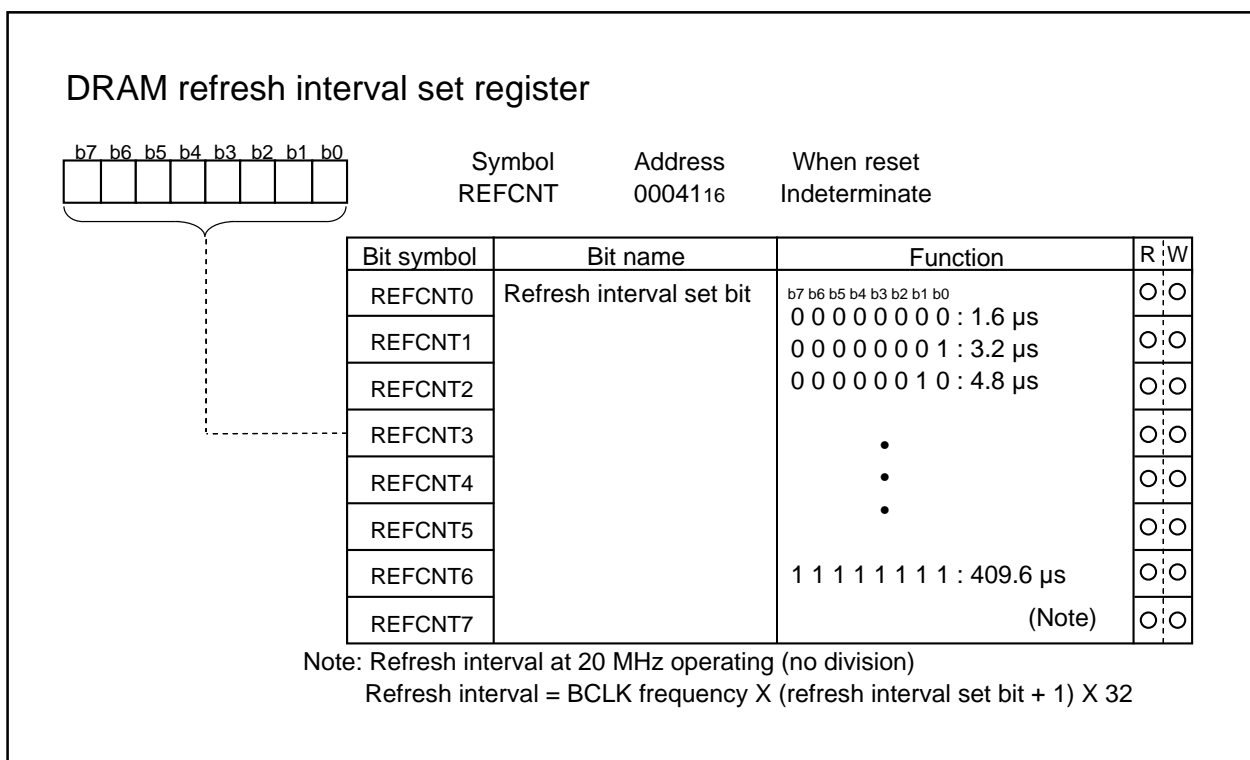
Figure 1.25.2. Output format for multiplexed addresses

### • Refresh

The refresh method is  $\overline{\text{CAS}}$  before  $\overline{\text{RAS}}$ . The refresh interval is set by the DRAM refresh interval set register (address 0041<sub>16</sub>). The refresh signal is not output in HOLD state. Figure 1.25.3 shows the DRAM refresh interval set register.

Use the following formula to determine the value to set in the refresh interval set register.

Refresh interval set register value (0 to 255) = refresh interval time / (BCLK frequency X 32) - 1



**Figure 1.25.3. DRAM refresh interval set register**



## DRAM Controller

---

The DRAM self-refresh operates in STOP mode, etc.

When shifting to self-refresh, select DRAM ignored by the DRAM space select bit. In the next instruction, simultaneously set the DRAM space select bit and self-refresh ON by self-refresh mode bit. Also, insert two NOPs after the instruction that sets the self-refresh mode bit to "1".

Do not access external memory while operating in self-refresh. (All external memory space access is inhibited.)

When disabling self-refresh, simultaneously select DRAM ignored by the DRAM space select bit and self-refresh OFF by self-refresh mode bit. In the next instruction, set the DRAM space select bit.

Do not access the DRAM space immediately after setting the DRAM space select bit.

Example) One wait is selected by the wait select bit and 4MB is selected by the DRAM space select bit

Shifting to self-refresh

```

...
mov.b #00000001b,DRAMCONT ;DRAM ignored, one wait is selected
mov.b #10001011b,DRAMCONT ;Set self-refresh, select 4MB and one wait
nop ;Two nops are needed
nop ;
...

```

Disable self-refresh

```

...
mov.b #00000001b,DRAMCONT ;Disable self-refresh, DRAM ignored, one wait is
                          ;selected
mov.b #00001011b,DRAMCONT ;Select 4MB and one wait
nop ;Inhibit instruction to access DRAM area
nop
...

```

Figures 1.25.4 to 1.25.6 show the bus timing during DRAM access.

## DRAM Controller

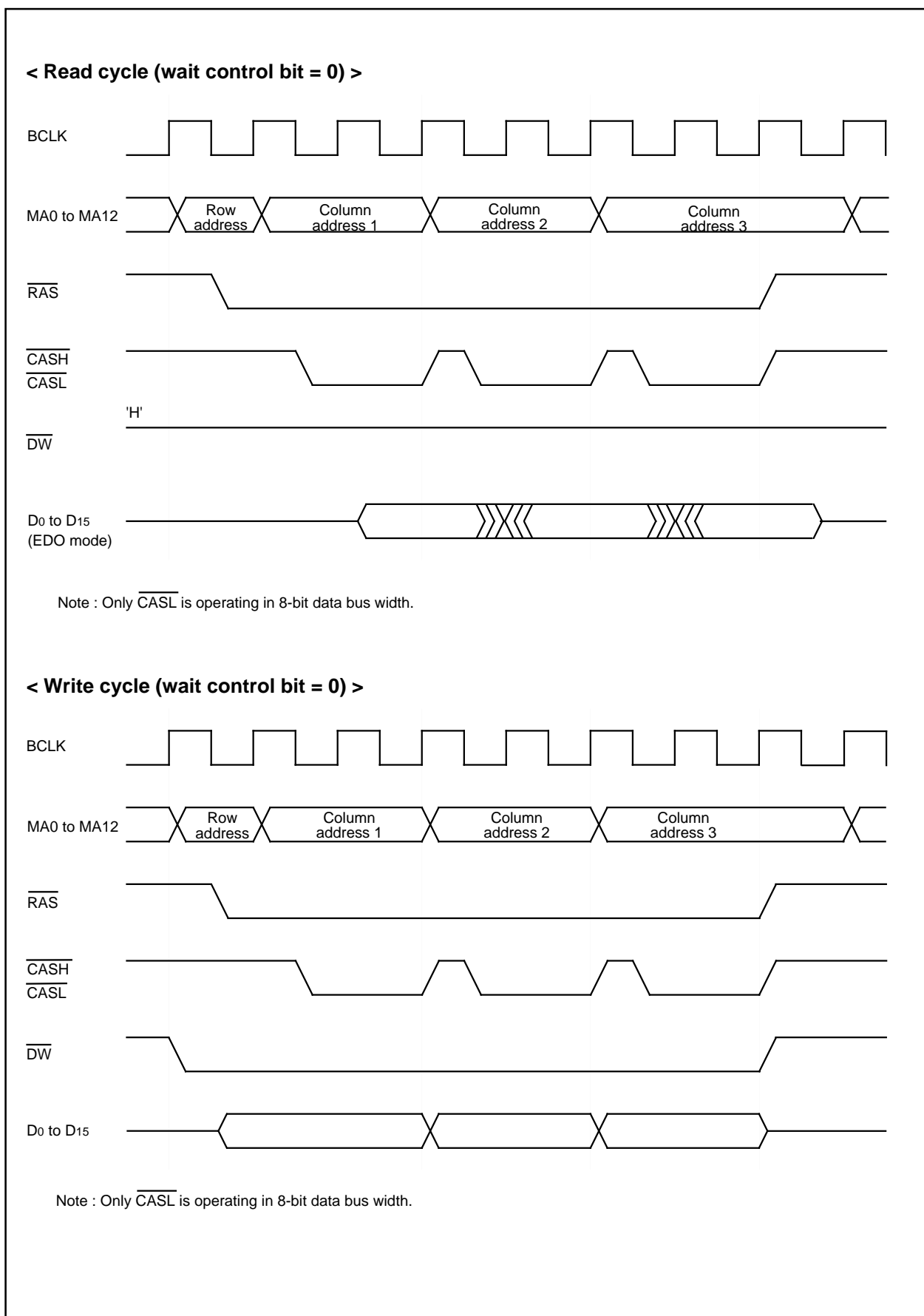


Figure 1.25.4. The bus timing during DRAM access (1)

## DRAM Controller

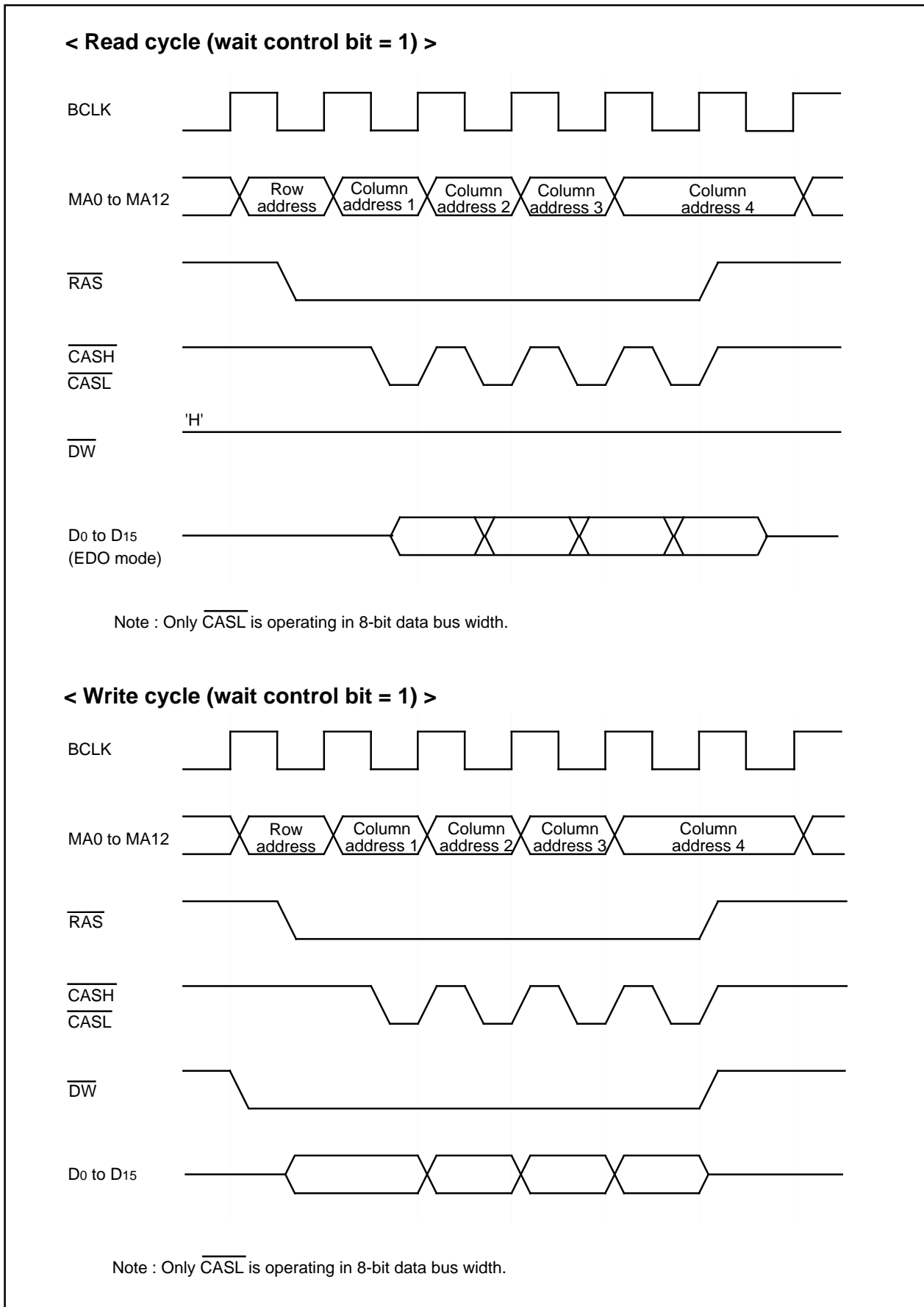


Figure 1.25.5. The bus timing during DRAM access (2)

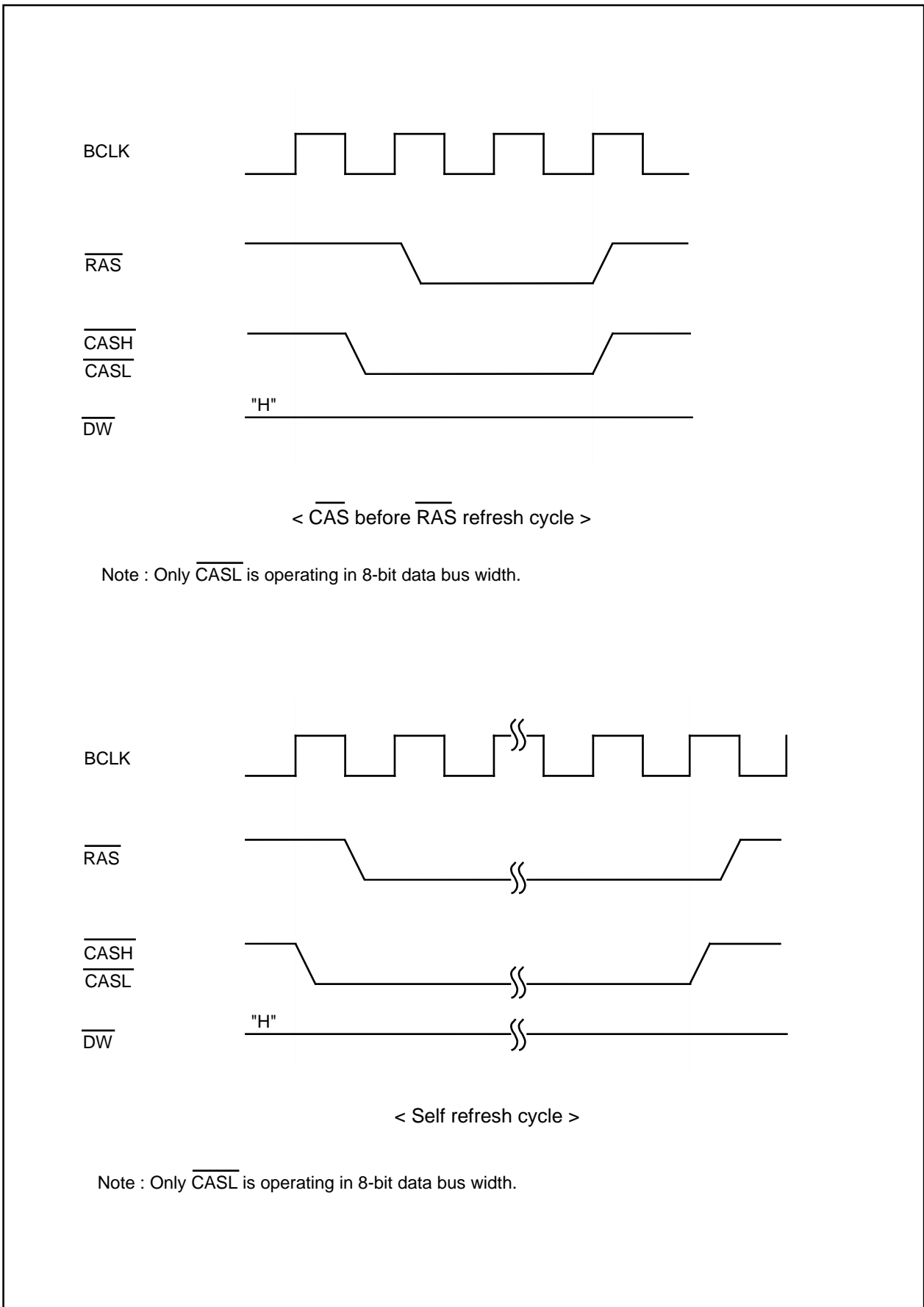


Figure 1.25.6. The bus timing during DRAM access (3)

## Programmable I/O Ports

There are 87 programmable I/O ports for 100-pin version: P0 to P10 (excluding P85). There are 123 programmable I/O ports for 144-pin version: P0 to P15 (excluding P85). Each port can be set independently for input or output using the direction register. A pull-up resistance for each block of 4 ports can be set. P85 is an input-only port and has no built-in pull-up resistance.

Figures 1.26.1 to 1.26.3 show the programmable I/O ports.

Each pin functions as a programmable I/O port and as the I/O for the built-in peripheral devices.

To use the pins as the inputs for the built-in peripheral devices, set the direction register of each pin to input mode. When the pins are used as the outputs for the built-in peripheral devices (other than the D-A converter), set the corresponding function select registers A, B and C. When pins are to be used as the outputs for the D-A converter, set the function select register of each pin to I/O port, and set the direction registers to input mode.

Table 1.26.1 lists each port and peripheral function.

See the descriptions of the respective functions for how to set up the built-in peripheral devices.

### (1) Direction registers

Figures 1.26.4 and 1.26.5 show the direction registers.

These registers are used to choose the direction of the programmable I/O ports. Each bit in these registers corresponds one for one to each I/O pin.

In memory expansion and microprocessor mode, the contents of corresponding direction register of pins A0 to A22,  $\overline{A23}$ , D0 to D15, MA0 to MA12,  $\overline{CS0}$  to  $\overline{CS3}$ ,  $\overline{WRL/WR/CASL}$ ,  $\overline{WRH/BHE/CASH}$ ,  $\overline{RD/DW}$ ,  $\overline{BCLK/ALE/CLKOUT}$ ,  $\overline{HLDA/ALE}$ ,  $\overline{HOLD}$ ,  $\overline{ALE/RAS}$ , and  $\overline{RDY}$  are not changed.

Note: There is no direction register bit for P85.

### (2) Port registers

Figures 1.26.6 and 1.26.7 show the port registers.

These registers are used to write and read data for input and output to and from an external device. A port register consists of a port latch to hold output data and a circuit to read the status of a pin. Each bit in port registers corresponds one for one to each I/O pin.

In memory expansion and microprocessor mode, the contents of corresponding port register of pins A0 to A22,  $\overline{A23}$ , D0 to D15, MA0 to MA12,  $\overline{CS0}$  to  $\overline{CS3}$ ,  $\overline{WRL/WR/CASL}$ ,  $\overline{WRH/BHE/CASH}$ ,  $\overline{RD/DW}$ ,  $\overline{BCLK/ALE/CLKOUT}$ ,  $\overline{HLDA/ALE}$ ,  $\overline{HOLD}$ ,  $\overline{ALE/RAS}$ , and  $\overline{RDY}$  are not changed.

### (3) Function select register A

Figures 1.26.8 and 1.26.9 show the function select registers A.

The register is used to select port output and peripheral function output when the port functions for both port output and peripheral function output.

Each bit of this register corresponds to each pin that functions for both port output and peripheral function output.

#### (4) Function select register B

Figures 1.26.10 and 1.26.11 show the function select registers B.

This register selects the 1st peripheral function output and second peripheral function output when multiple peripheral function outputs are assigned to a pin. For pins with a third peripheral function, this register selects whether to enable the function select register C, or output the second peripheral function.

Each bit of this register corresponds to each pin that has multiple peripheral function outputs assigned to it. This register is enabled when the bits of the corresponding function select register A are set for peripheral functions.

The bit 3 to bit 6 of function select register B3 is ignored bit for input peripheral function. When using DA0/DA1 and ANEX0/ANEX1, set related bit to "1". When not using DA0/DA1 or ANEX0/ANEX1, set related bit to "0".

#### (5) Function select register C

Figure 1.26.12 shows the function select register C.

This register is used to select the first peripheral function output and the third peripheral function output when three peripheral function outputs are assigned to a pin.

This register is effective when the bits of the function select register A of the counterpart pin have selected a peripheral function and when the function select register B has made effective the function select register C.

The bit 7 (PSC\_7) is assigned the key-in interrupt inhibit bit. Setting 1 in the key-in interrupt inhibit bit causes no key-in interrupts regardless of the settings in the interrupt control register even if L is entered in pins KI0 to KI3. With 1 set in the key-in interrupt inhibit bit, input from a port pin cannot be effected even if the port direction register is set to input mode.

#### (6) Pull-up control registers

Figures 1.26.13 and 1.26.14 show the pull-up control registers.

The pull-up control register can be set to apply a pull-up resistance to each block of 4 ports. When ports are set to have a pull-up resistance, the pull-up resistance is connected only when the direction register is set for input.

Since P0 to P5 operate as the bus in memory expansion mode and microprocessor mode, do not set the pull-up control register. However, it is possible to select pull-up resistance presence to the usable port as I/O port by setting.

#### (7) Port control register

Figure 1.26.15 shows the port control register.

This register is used to choose whether to make port P1 a CMOS port or an Nch open drain. In the Nch open drain, the port P1 has no function that a complete open drain but keeps the CMOS port's Pch always turned off. Thus the absolute maximum rating of the input voltage falls within the range from - 0.3 V to  $V_{cc} + 0.3$  V.

The port control register functions similarly to the above also in the case in which port P1 can be used as a port when the bus width in the full external areas comprises 8 bits in either microprocessor mode or in memory expansion mode.

Programmable I/O Port

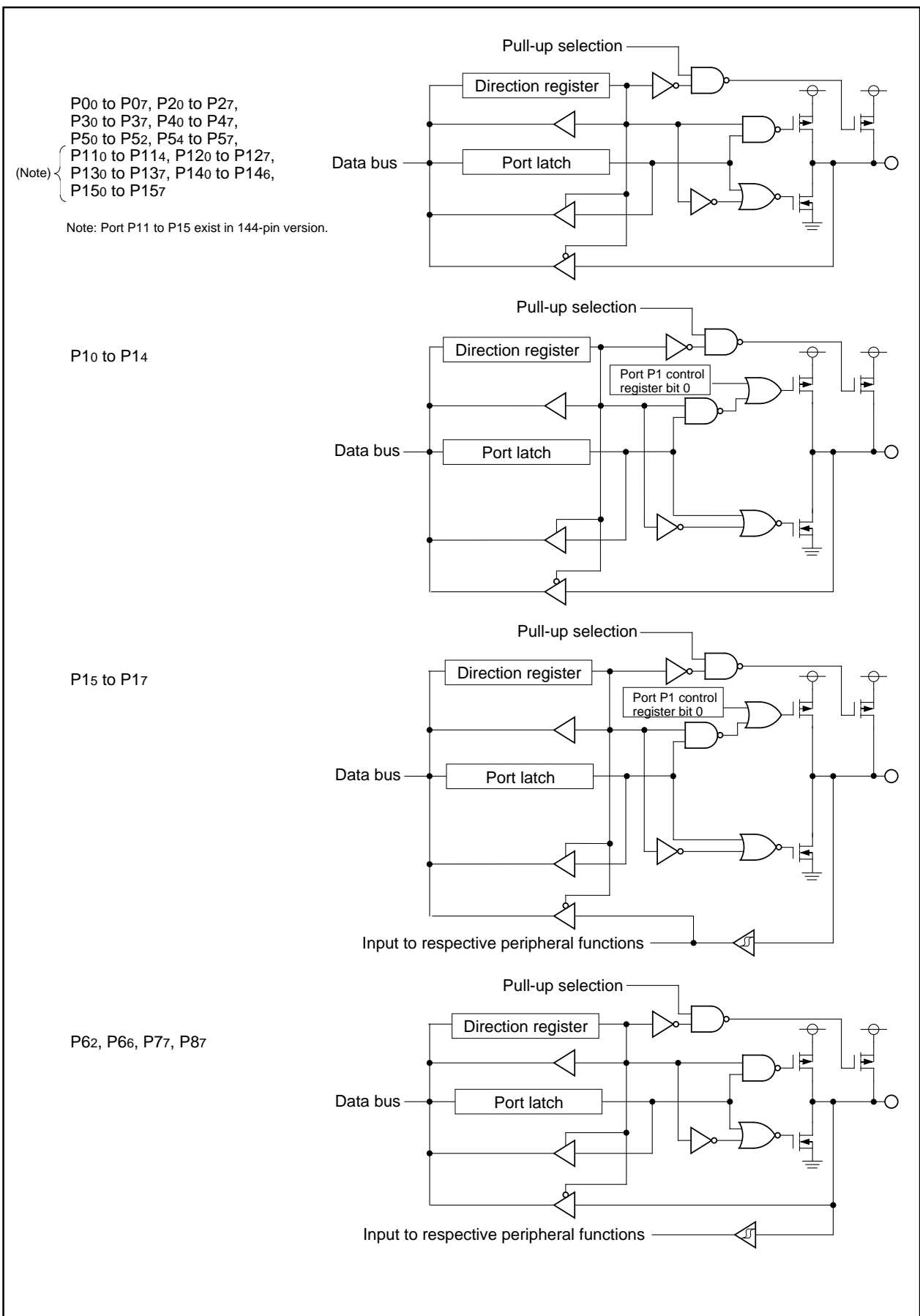


Figure 1.26.1. Programmable I/O ports (1)

Programmable I/O Port

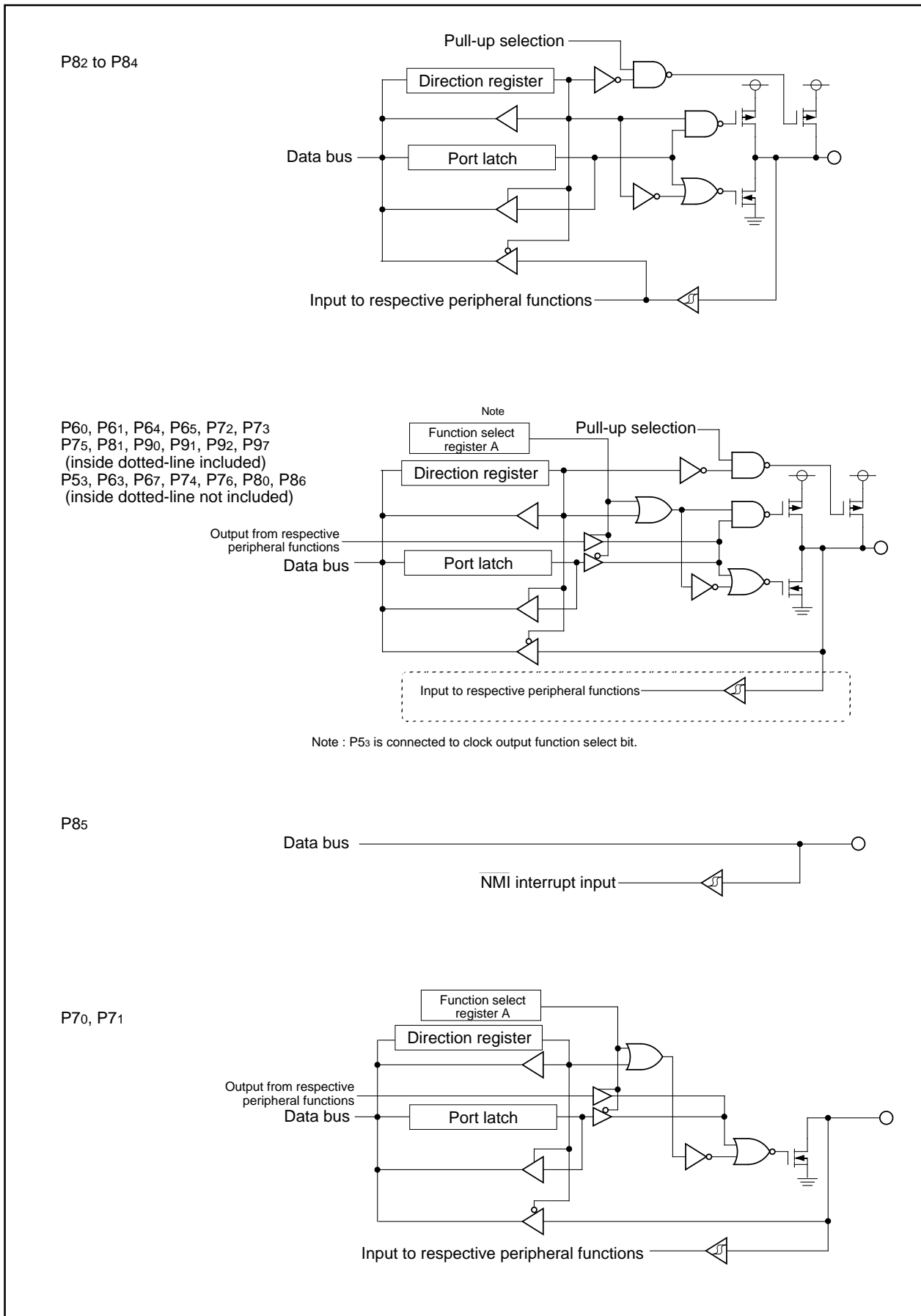


Figure 1.26.2. Programmable I/O ports (2)



Programmable I/O Port

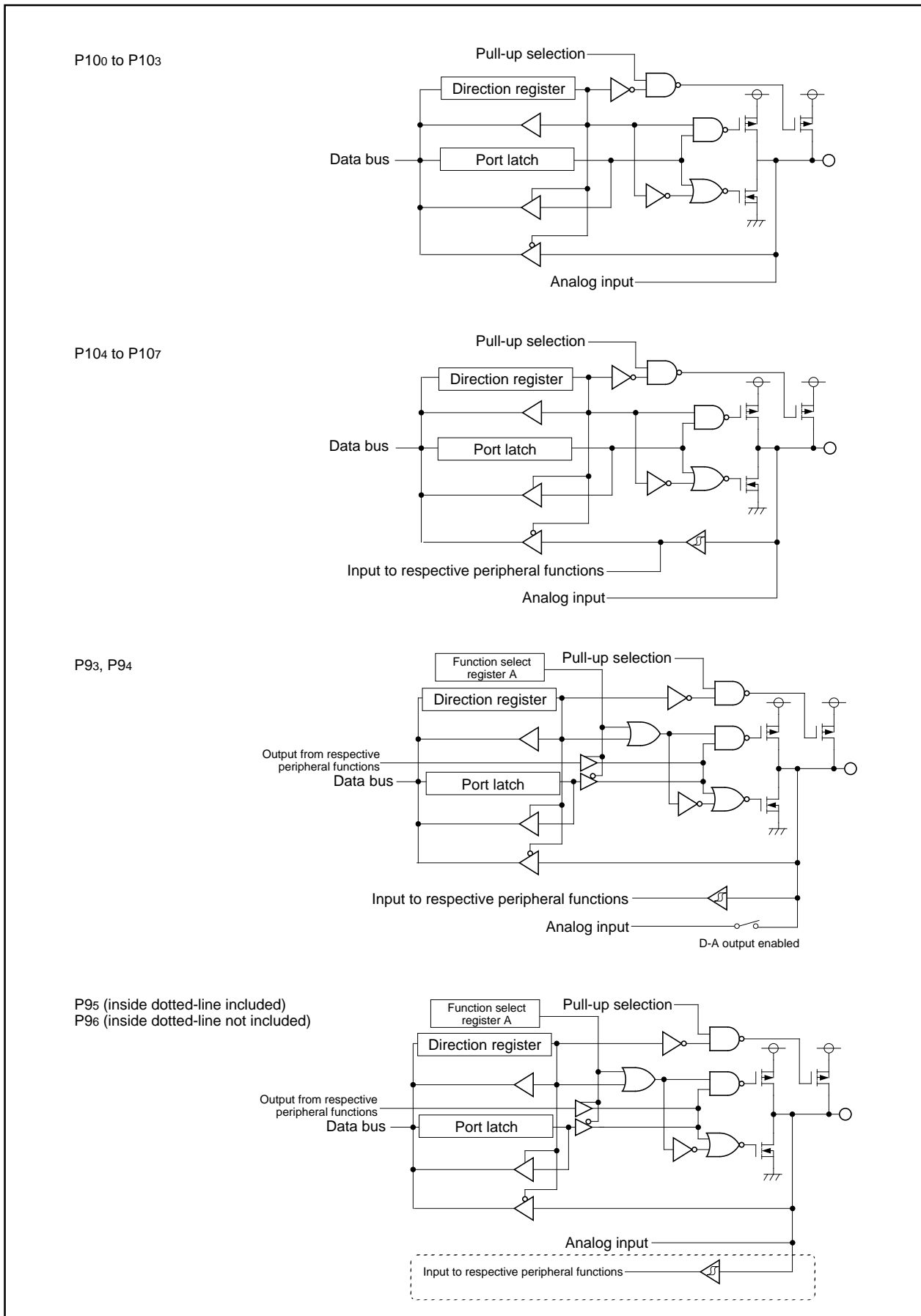
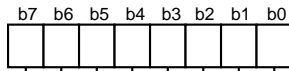


Figure 1.26.3. Programmable I/O ports (3)

Programmable I/O Port

Port Pi direction register (Note 1,2, 3)

Symbol	Address	When reset
PD <sub>i</sub> (i = 0 to 15, except 8, 11 and 14)	03E2 <sub>16</sub> , 03E3 <sub>16</sub> , 03E6 <sub>16</sub> , 03E7 <sub>16</sub> , 03EA <sub>16</sub> , 03EB <sub>16</sub> , 03C2 <sub>16</sub> , 03C3 <sub>16</sub> , 03C7 <sub>16</sub> , 03CA <sub>16</sub> , 03CE <sub>16</sub> , 03CF <sub>16</sub> , 03D3 <sub>16</sub>	00 <sub>16</sub>



Bit symbol	Bit name	Function	R	W
PD <sub>i</sub> _0	Port P <sub>i</sub> 0 direction register	0 : Input mode (Functions as an input port) 1 : Output mode (Functions as an output port) (i = 0 to 15 except 8, 11 and 14)	○	○
PD <sub>i</sub> _1	Port P <sub>i</sub> 1 direction register		○	○
PD <sub>i</sub> _2	Port P <sub>i</sub> 2 direction register		○	○
PD <sub>i</sub> _3	Port P <sub>i</sub> 3 direction register		○	○
PD <sub>i</sub> _4	Port P <sub>i</sub> 4 direction register		○	○
PD <sub>i</sub> _5	Port P <sub>i</sub> 5 direction register		○	○
PD <sub>i</sub> _6	Port P <sub>i</sub> 6 direction register		○	○
PD <sub>i</sub> _7	Port P <sub>i</sub> 7 direction register		○	○

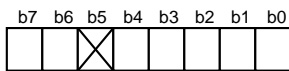
Note 1: Set bit 2 of protect register (address 000A<sub>16</sub>) to "1" before rewriting to the port P9 direction register.

Note 2: In memory expansion and microprocessor mode, the contents of corresponding port direction register of pins A<sub>0</sub> to A<sub>22</sub>, A<sub>23</sub>, D<sub>0</sub> to D<sub>15</sub>, MA<sub>0</sub> to MA<sub>12</sub>, CS<sub>0</sub> to CS<sub>3</sub>, WRL/WR/CASL, WRH/BHE/CASH, RD/DW, BCLK/ALE/CLKOUT, HLDA/ALE, HOLD, ALE/RAS, and RDY are not changed.

Note 3: Port P<sub>12</sub>, P<sub>13</sub> and P<sub>15</sub> direction registers exist in 144-pin version.

Port P8 direction register

Symbol	Address	When reset
PD <sub>8</sub>	03C6 <sub>16</sub>	00X00000 <sub>2</sub>



Bit symbol	Bit name	Function	R	W
PD <sub>8</sub> _0	Port P <sub>8</sub> 0 direction register	0 : Input mode (Functions as an input port) 1 : Output mode (Functions as an output port)	○	○
PD <sub>8</sub> _1	Port P <sub>8</sub> 1 direction register		○	○
PD <sub>8</sub> _2	Port P <sub>8</sub> 2 direction register		○	○
PD <sub>8</sub> _3	Port P <sub>8</sub> 3 direction register		○	○
PD <sub>8</sub> _4	Port P <sub>8</sub> 4 direction register		○	○
Nothing is assigned. When write, set "0". When read, its content is indeterminate.			—	—
PD <sub>8</sub> _6	Port P <sub>8</sub> 6 direction register	0 : Input mode (Functions as an input port) 1 : Output mode (Functions as an output port)	○	○
PD <sub>8</sub> _7	Port P <sub>8</sub> 7 direction register		○	○

Figure 1.26.4. Direction register (1)

## Programmable I/O Port

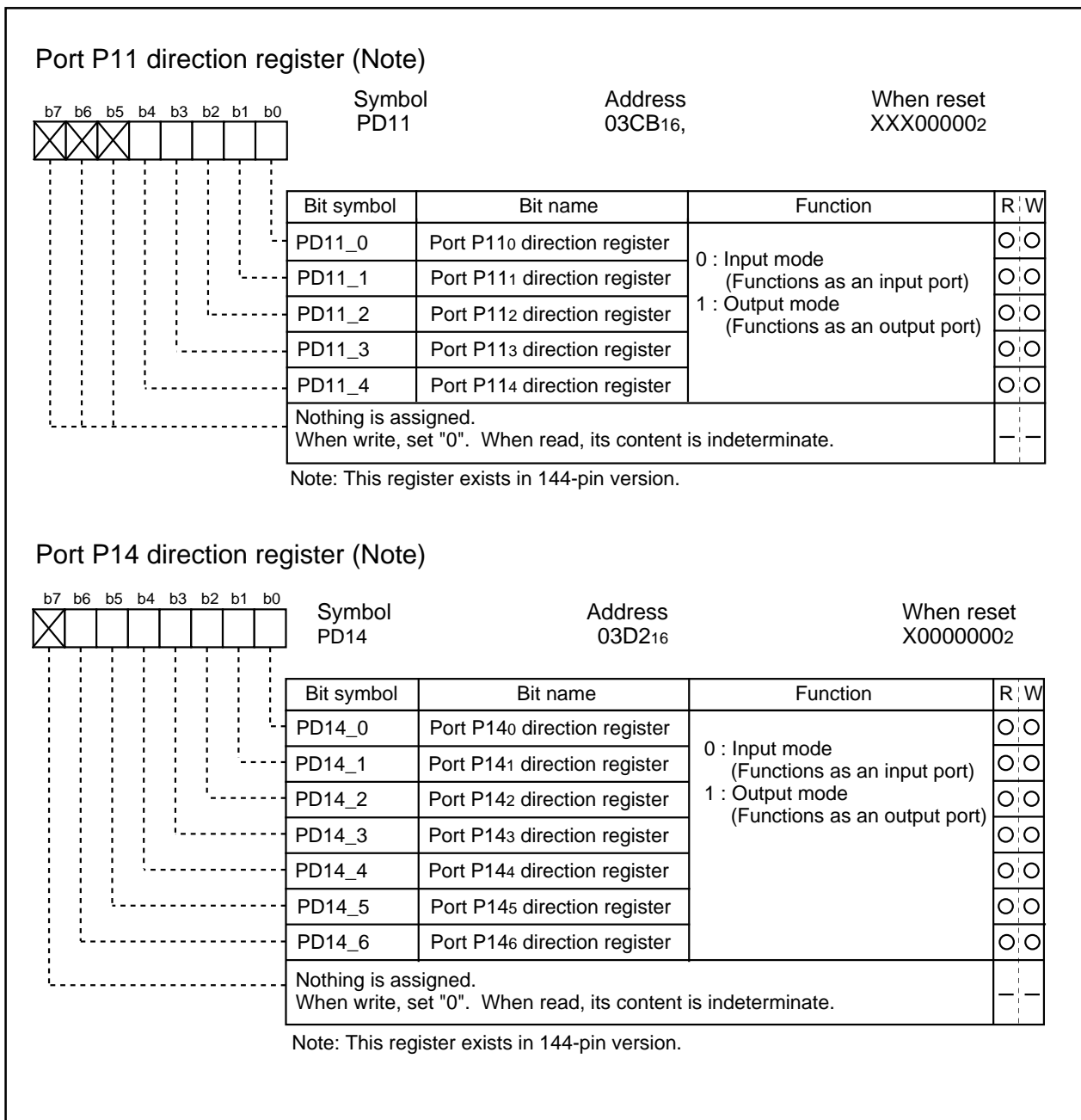


Figure 1.26.5. Direction register (2)

Programmable I/O Port

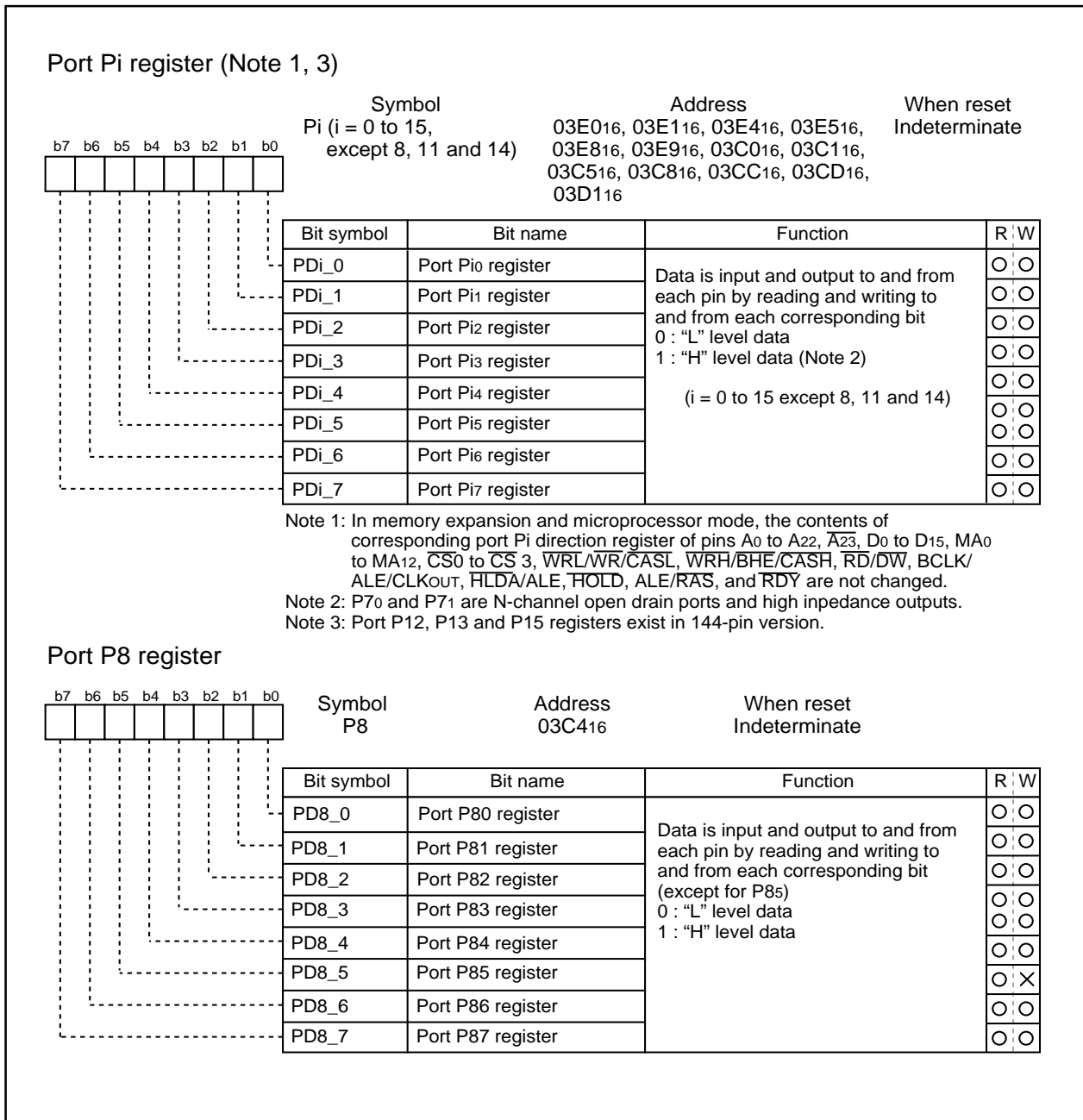


Figure 1.26.6. Port register (1)

## Programmable I/O Port

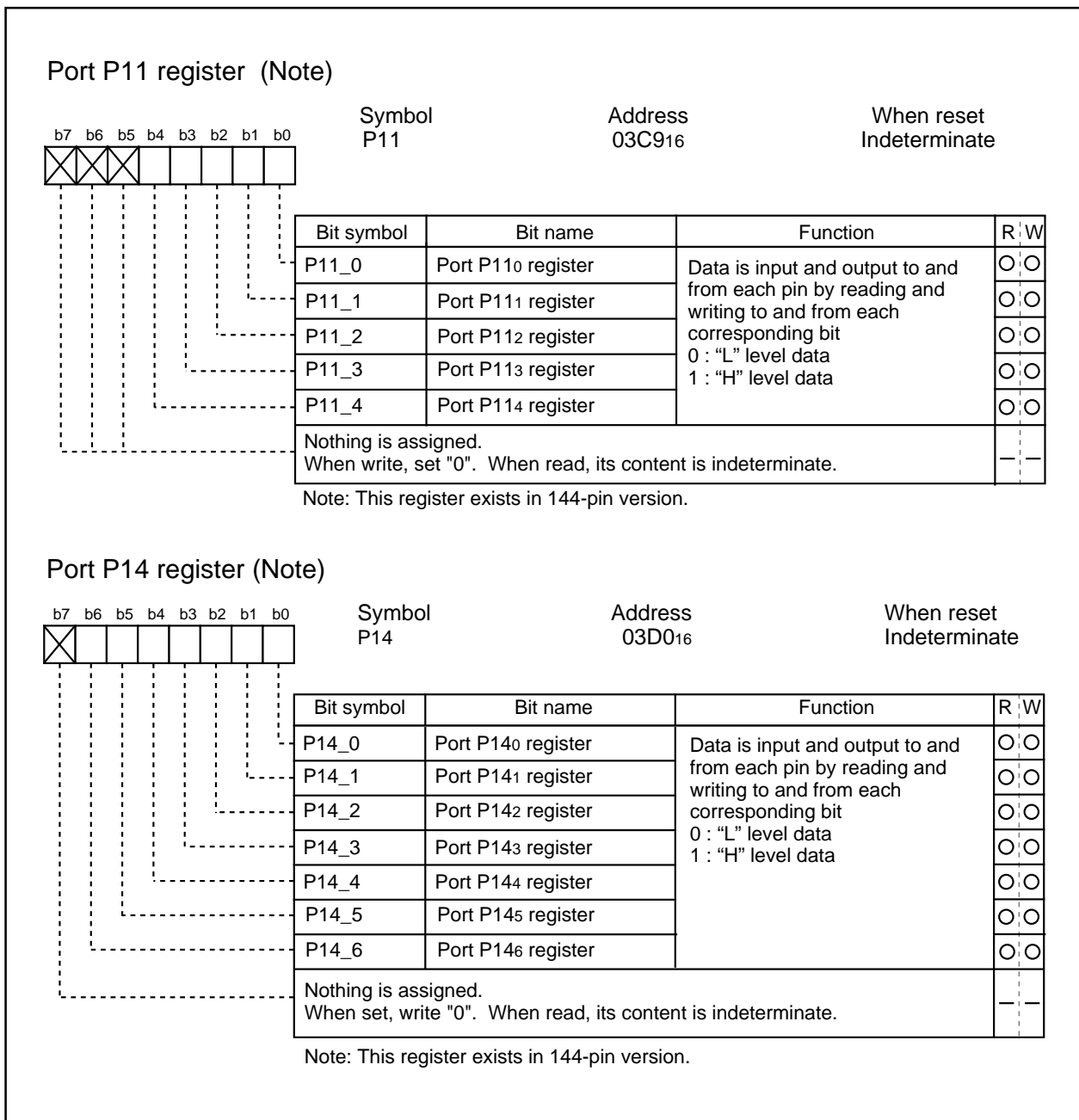


Figure 1.26.7. Port register (2)

## Programmable I/O Port

Table 1.26.1. Each port and peripheral output function (Note 1)

Port	Peripheral output function 1	Peripheral output function 2	Peripheral output function 3
P60	$\overline{\text{RTS}}_0$ output	—	—
P61	CLK <sub>0</sub> output	—	—
P62	—	—	—
P63	TxD <sub>0</sub> output	—	—
P64	$\overline{\text{RTS}}_1$ output	CLKS <sub>1</sub> output	—
P65	CLK <sub>1</sub> output	—	—
P66	—	—	—
P67	TxD <sub>1</sub> output	—	—
P70(Note 2)	TxD <sub>2</sub> (SDA <sub>2</sub> ) output	TA0OUT output	—
P71(Note 2)	SCL <sub>2</sub> output	—	—
P72	CLK <sub>2</sub> output	TA1OUT output	V phase output
P73	$\overline{\text{RTS}}_2$ output	$\overline{\text{V}}$ phase output	—
P74	TA2OUT output	W phase output	—
P75	$\overline{\text{W}}$ phase output	—	—
P76	TA3OUT output	—	—
P77	—	—	—
P80	TA4OUT output	U phase output	—
P81	$\overline{\text{U}}$ phase output	—	—
P82	—	—	—
P83	—	—	—
P84	—	—	—
P85	—	—	—
P86	—	—	—
P87	—	—	—
P90	CLK <sub>3</sub> output	—	—
P91	SCL <sub>3</sub> output	STxD <sub>3</sub> output	—
P92	TxD <sub>3</sub> (SDA <sub>3</sub> ) output	—	—
P93	$\overline{\text{RTS}}_3$ output	—	—
P94	$\overline{\text{RTS}}_4$ output	—	—
P95	CLK <sub>4</sub> output	—	—
P96	TxD <sub>4</sub> (SDA <sub>4</sub> ) output	—	—
P97	SCL <sub>3</sub> output	STxD <sub>4</sub> output	—

Note 1: When using peripheral input function, set the corresponding function select register A to "0" (I/O port).

Note 2: N-channel open drain output.

Programmable I/O Port

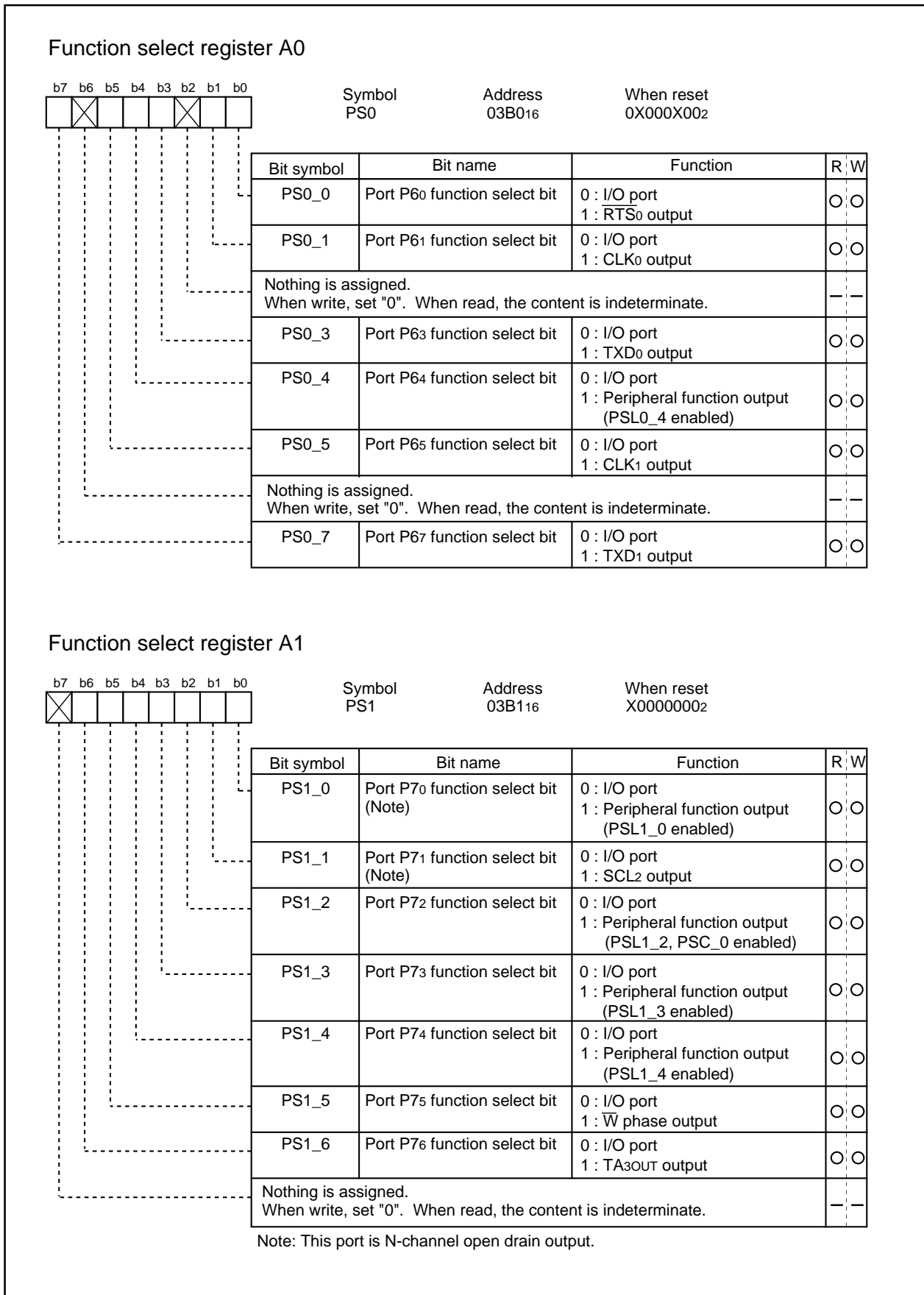


Figure 1.26.8. Function select register A (1)

Programmable I/O Port

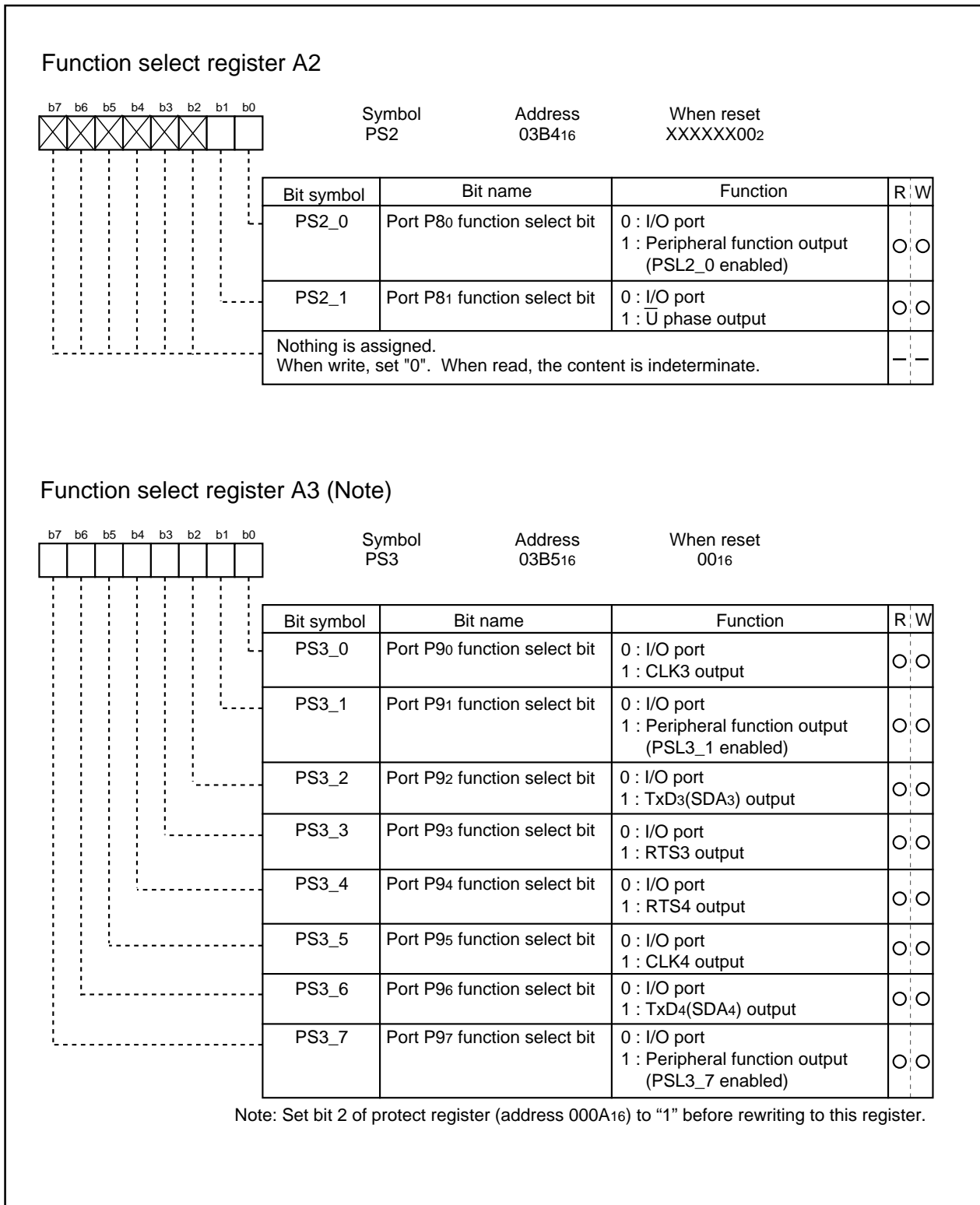
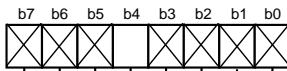


Figure 1.26.9. Function select register A (2)



Programmable I/O Port

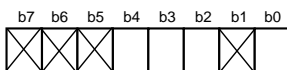
Function select register B0



Symbol: PSL0  
Address: 03B2<sub>16</sub>  
When reset: XXX0XXX<sub>2</sub>

Bit symbol	Bit name	Function	R	W
Nothing is assigned. When write, set "0". When read, the content is indeterminate.			—	—
PSL0_4	Port P64 peripheral function select bit (Enabled when PS0_4 = 1)	0 : RTS <sub>1</sub> output 1 : CLKS <sub>1</sub> output	○	○
Nothing is assigned. When write, set "0". When read, the content is indeterminate.			—	—

Function select register B1



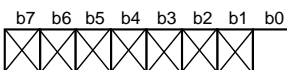
Symbol: PSL1  
Address: 03B3<sub>16</sub>  
When reset: XXX000X<sub>02</sub>

Bit symbol	Bit name	Function	R	W
PSL1_0	Port P70 peripheral function select bit (Enabled when PS1_0 = 1) (Note 2)	0 : TxD <sub>2</sub> (SDA <sub>2</sub> ) port 1 : TA0OUT output	○	○
Nothing is assigned. When write, set "0". When read, the content is indeterminate.			—	—
PSL1_2	Port P72 peripheral function select bit (Enabled when PS1_2 = 1)	0 : Port P72 peripheral subfunction select bit (PSC_0) is enabled 1 : TA1OUT output (Note 1)	○	○
PSL1_3	Port P73 peripheral function select bit (Enabled when PS1_3 = 1)	0 : $\overline{\text{RTS}}_2$ port 1 : $\overline{\text{V}}$ phase output	○	○
PSL1_4	Port P74 peripheral function select bit (Enabled when PS1_4 = 1)	0 : TA2OUT port 1 : W phase output	○	○
Nothing is assigned. When write, set "0". When read, the content is indeterminate.			—	—

Note 1: Set PSC\_0 to "1".

Note 2: This port is N-channel open drain output.

Function select register B2



Symbol: PSL2  
Address: 03B6<sub>16</sub>  
When reset: XXXXXXX<sub>02</sub>

Bit symbol	Bit name	Function	R	W
PSL2_0	Port P80 peripheral function select bit (Enabled when PS2_0 = 1)	0 : TA4OUT output 1 : U phase output	○	○
Nothing is assigned. When write, set "0". When read, the content is indeterminate.			—	—

Figure 1.26.10. Function select register B (1)

Programmable I/O Port

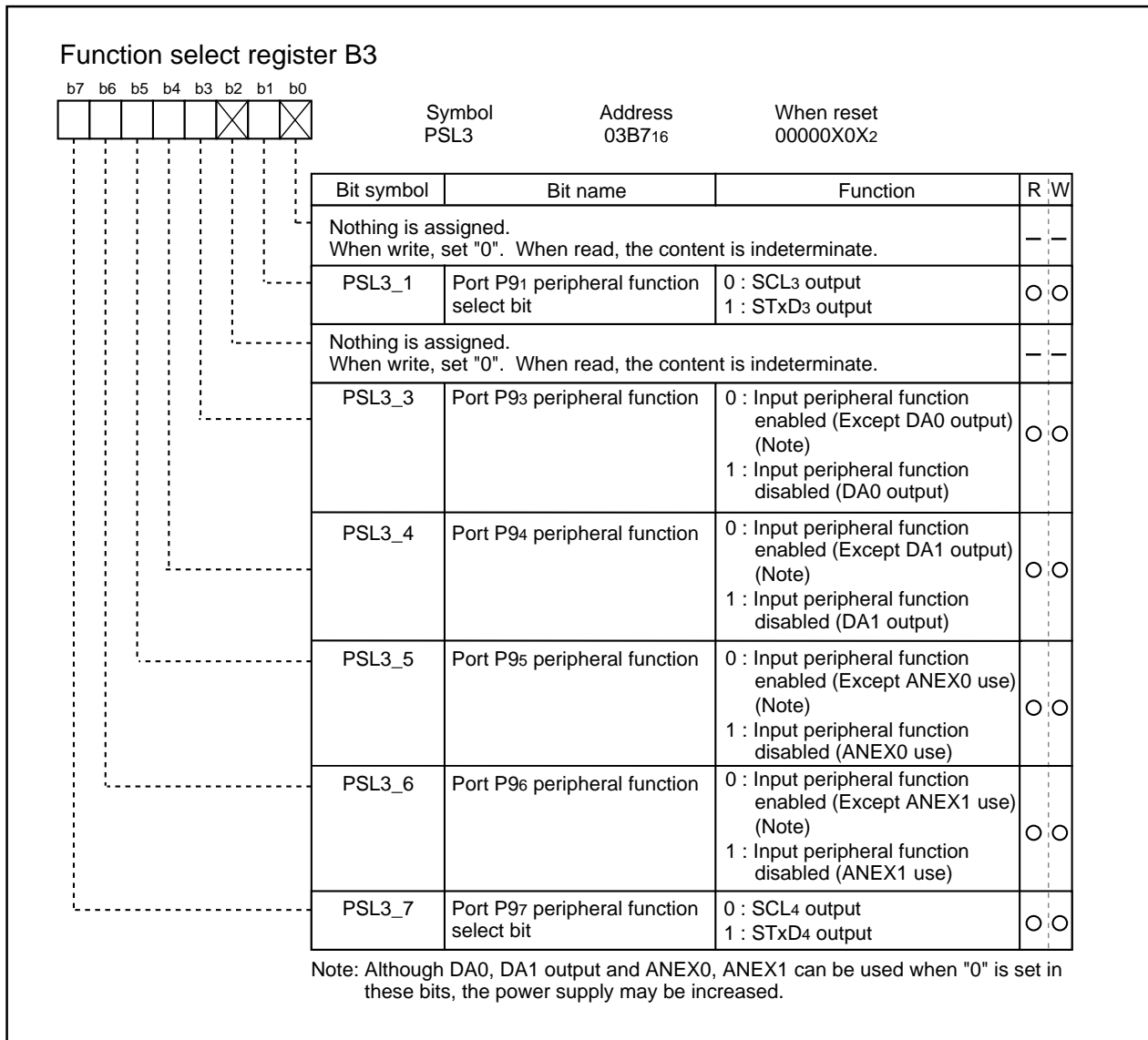


Figure 1.26.11. Function select register B (2)

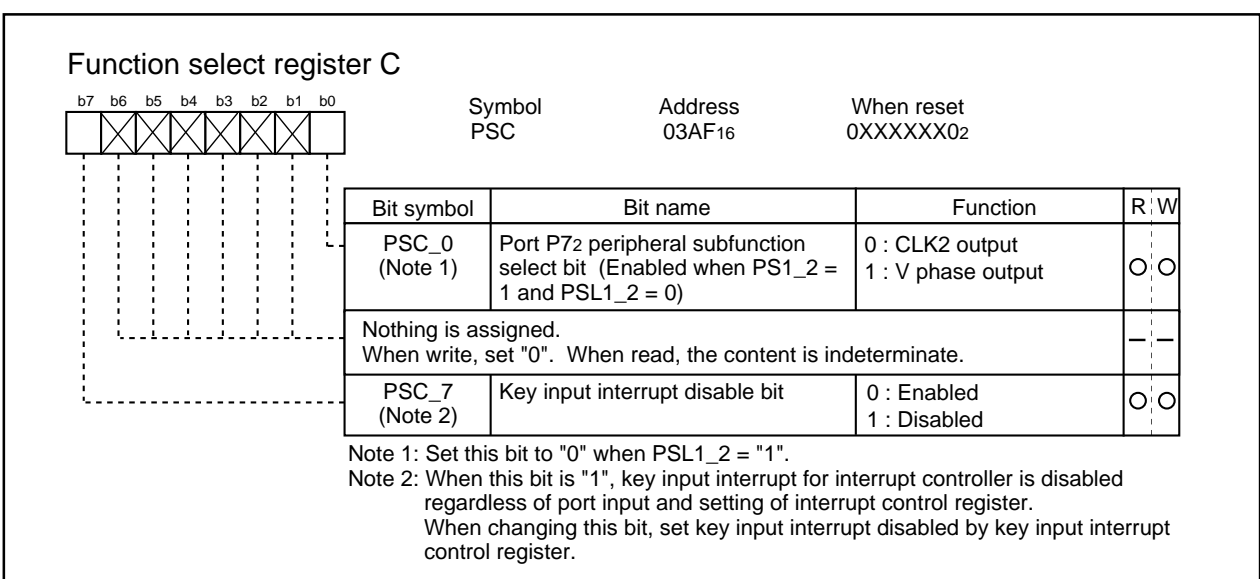


Figure 1.26.12. Function select register C

Programmable I/O Port

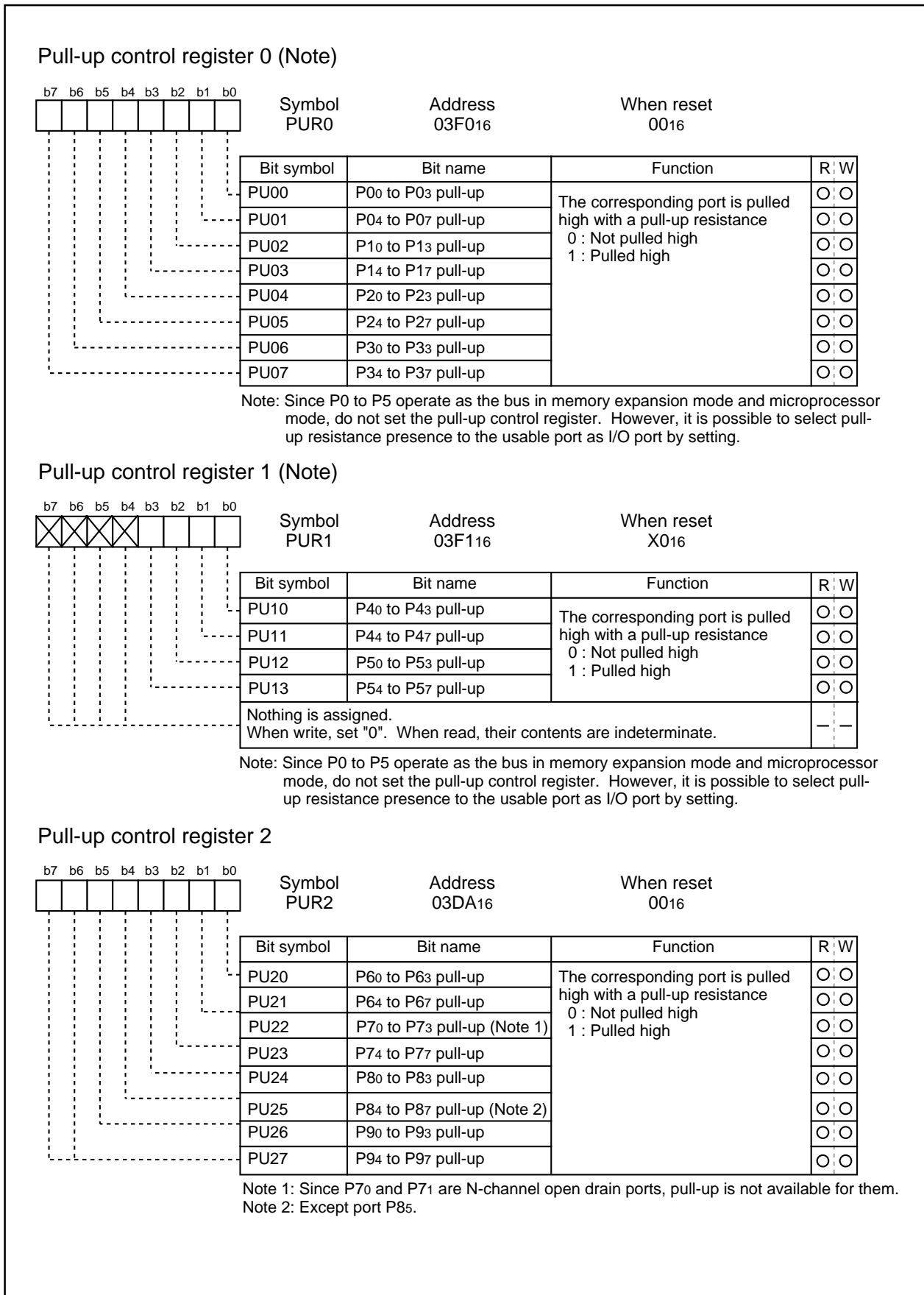


Figure 1.26.13. Pull-up control register (1)

Programmable I/O Port

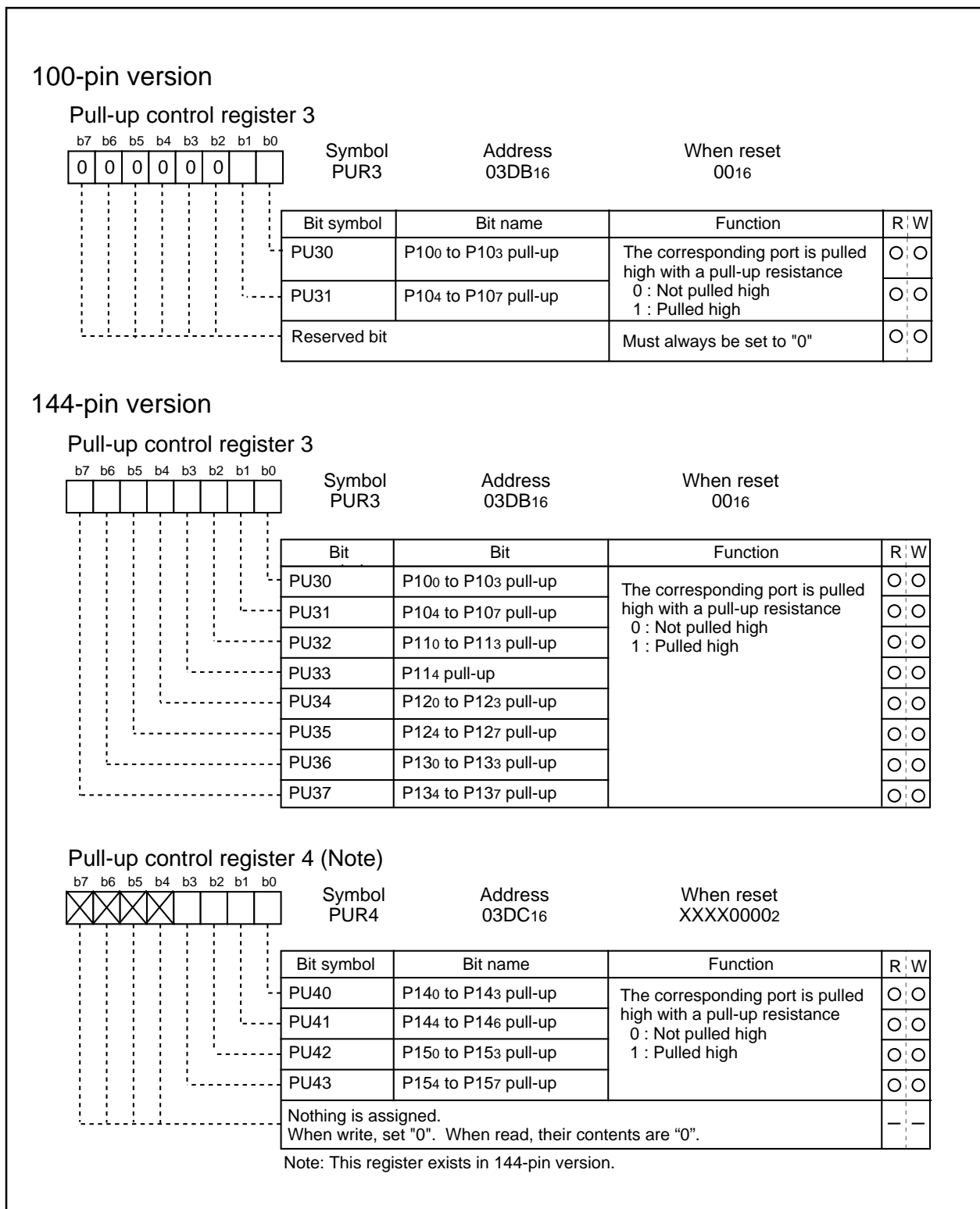


Figure 1.26.14. Pull-up control register (2)

Programmable I/O Port

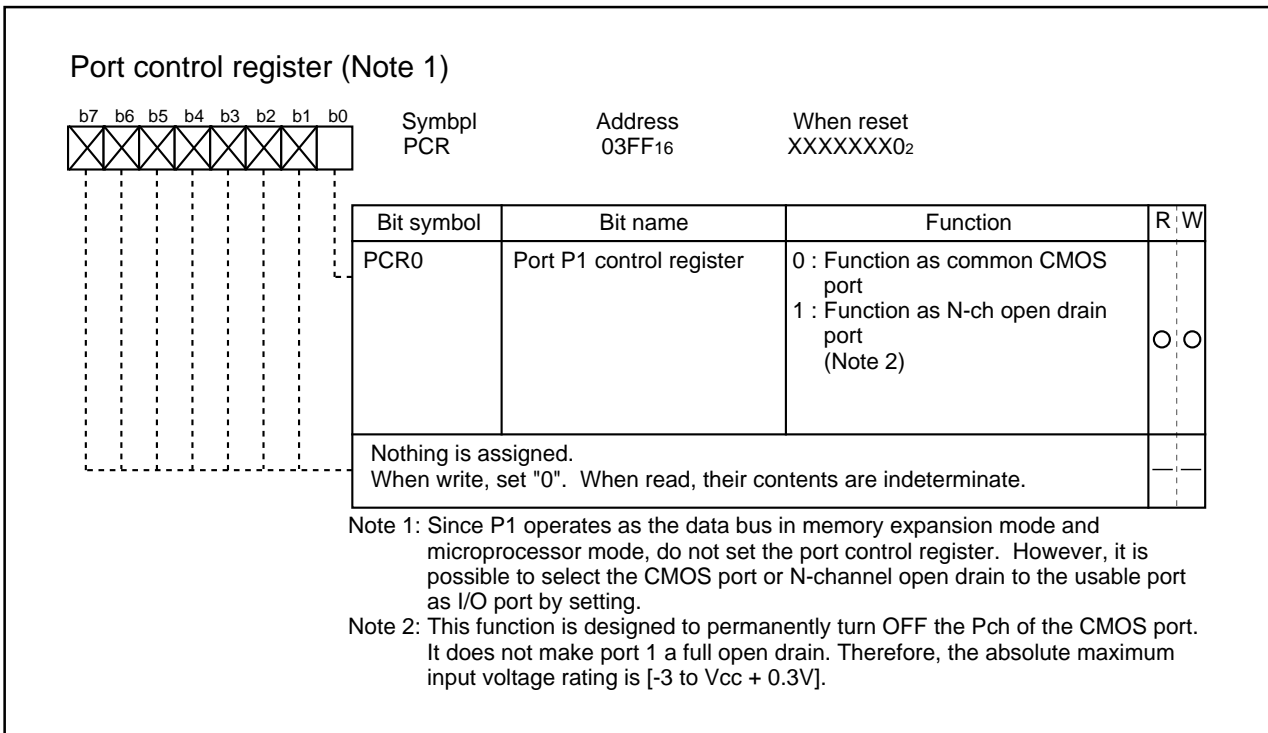


Figure 1.26.15. Port control register

Programmable I/O Port

**Table 1.26.2. Example connection of unused pins in single-chip mode**

Pin name	Connection
Ports P0 to P15 (excluding P85) Note 1)	(After setting for input mode, connect every pin to Vss via a resistance (pull-down); or after setting for output mode, leave these pins open.
XOUT (Note 2)	Open
NMI	Connect via resistance to Vcc (pull-up)
AVcc	Connect to Vcc
AVss, VREF, BYTE	Connect to Vss

Note 1: Port P11 to P15 exist in 144-pin version.

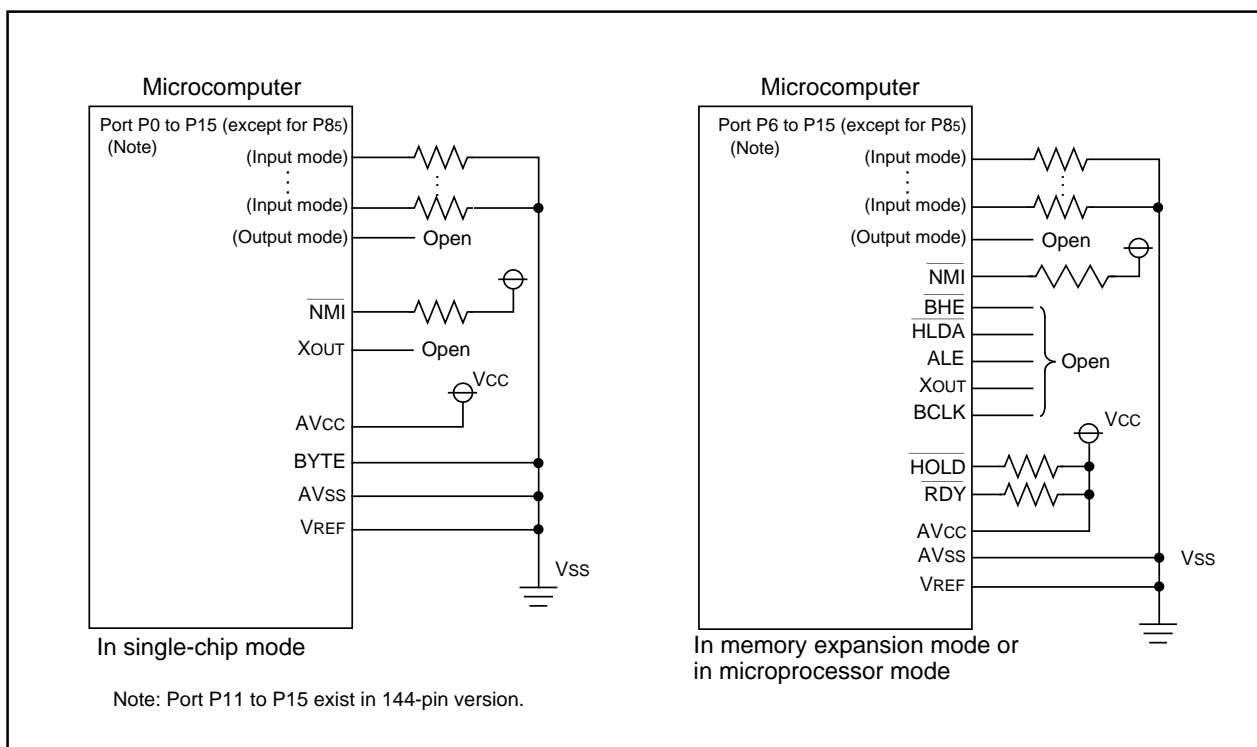
Note 2: With external clock input to XIN pin.

**Table 1.26.3. Example connection of unused pins in memory expansion mode and microprocessor mode**

Pin name	Connection
Ports P6 to P15(excluding P85) Note 1)	(After setting for input mode, connect every pin to Vss via a resistance (pull-down); or after setting for output mode, leave these pins open.
BHE, ALE, HLDA, XOUT(Note 2), BCLK	Open
HOLD, RDY, NMI	Connect via resistance to Vcc (pull-up)
AVcc	Connect to Vcc
AVss, VREF	Connect to Vss

Note 1: Port P11 to P15 exist in 144-pin version.

Note 2: With external clock input to XIN pin.



**Figure 1.26.16. Example connection of unused pins**

## Usage Precaution

### SFR (100-pin version)

- (1) Addresses 03C9<sub>16</sub>, 03CB<sub>16</sub> to 03D3<sub>16</sub>, 03DC<sub>16</sub> area is for future plan. Must set "FF<sub>16</sub>" to address 03CB<sub>16</sub>, 03CE<sub>16</sub>, 03CF<sub>16</sub>, 03D2<sub>16</sub>, 03D3<sub>16</sub> and "00<sub>16</sub>" to address 03DC<sub>16</sub> at initial setting.

### Timer A (timer mode)

- (1) Reading the timer Ai register while a count is in progress allows reading, with arbitrary timing, the value of the counter. Reading the timer Ai register with the reload timing gets "FFFF<sub>16</sub>". Reading the timer Ai register after setting a value in the timer Ai register with a count halted but before the counter starts counting gets a proper value.

### Timer A (event counter mode)

- (1) Reading the timer Ai register while a count is in progress allows reading, with arbitrary timing, the value of the counter. Reading the timer Ai register with the reload timing gets "FFFF<sub>16</sub>" by underflow or "0000<sub>16</sub>" by overflow. Reading the timer Ai register after setting a value in the timer Ai register with a count halted but before the counter starts counting gets a proper value.
- (2) When stop counting in free run type, set timer again.
- (3) In the case of using as "Free-Run type", the timer register contents may be unknown when counting begins. If the timer register is set before counting has started, then the starting value will be unknown.
- In the case where the up/down count will not be changed.  
Enable the "Reload" function and write to the timer register before counting begins. Rewrite the value to the timer register immediately after counting has started. If counting up, rewrite "0000<sub>16</sub>" to the timer register. If counting down, rewrite "FFFF<sub>16</sub>" to the timer register. This will cause the same operation as "Free-Run type" mode.
  - In the case where the up/down count has changed.  
First set to "Reload type" operation. Once the first counting pulse has occurred, the timer may be changed to "Free-Run type".

### Timer A (one-shot timer mode)

- (1) Setting the count start flag to "0" while a count is in progress causes as follows:
- The counter stops counting and a content of reload register is reloaded.
  - The TAIOUT pin outputs "L" level.
  - The interrupt request generated and the timer Ai interrupt request bit goes to "1".
- (2) The output from the one-shot timer synchronizes with the count source generated internally. Therefore, when an external trigger has been selected, a delay of one cycle of count source as maximum occurs between the trigger input to the TAI<sub>N</sub> pin and the one-shot timer output.

## Usage precaution

---

(3) The timer Ai interrupt request bit goes to “1” if the timer's operation mode is set using any of the following procedures:

- Selecting one-shot timer mode after reset.
- Changing operation mode from timer mode to one-shot timer mode.
- Changing operation mode from event counter mode to one-shot timer mode.

Therefore, to use timer Ai interrupt (interrupt request bit), set timer Ai interrupt request bit to “0” after the above listed changes have been made.

(4) If a trigger occurs while a count is in progress, after the counter performs one down count following the reoccurrence of a trigger, the reload register contents are reloaded, and the count continues. To generate a trigger while a count is in progress, generate the second trigger after an elapse longer than one cycle of the timer's count source after the previous trigger occurred.

### Timer A (pulse width modulation mode)

(1) The timer Ai interrupt request bit becomes “1” if setting operation mode of the timer in compliance with any of the following procedures:

- Selecting PWM mode after reset.
- Changing operation mode from timer mode to PWM mode.
- Changing operation mode from event counter mode to PWM mode.

Therefore, to use timer Ai interrupt (interrupt request bit), set timer Ai interrupt request bit to “0” after the above listed changes have been made.

(2) Setting the count start flag to “0” while PWM pulses are being output causes the counter to stop counting. If the TAIOUT pin is outputting an “H” level in this instance, the output level goes to “L”, and the timer Ai interrupt request bit goes to “1”. If the TAIOUT pin is outputting an “L” level in this instance, the level does not change, and the timer Ai interrupt request bit does not becomes “1”.



**Timer B (timer mode, event counter mode)**

- (1) Reading the timer Bi register while a count is in progress allows reading , with arbitrary timing, the value of the counter. Reading the timer Bi register with the reload timing gets "FFFF<sub>16</sub>". Reading the timer Bi register after setting a value in the timer Bi register with a count halted but before the counter starts counting gets a proper value.

**Timer B (pulse period/pulse width measurement mode)**

- (1) If changing the measurement mode select bit is set after a count is started, the timer Bi interrupt request bit goes to "1".
- (2) When the first effective edge is input after a count is started, an indeterminate value is transferred to the reload register. At this time, timer Bi interrupt request is not generated.
- (3) The value of the counter is indeterminate at the beginning of a count. Therefore, the timer Bi overflow flag may go to "1" and timer Bi interrupt request may be generated during the interval between a count start and an effective edge input.

**Stop Mode and Wait Mode**

- (1) When returning from stop mode by hardware reset,  $\overline{\text{RESET}}$  pin must be set to "L" level until main clock oscillation is stabilized.
- (2) When shifting to WAIT mode or STOP mode, the program stops after reading from the WAIT instruction and the instruction that sets all clock stop control bits to "1" in the instruction queue. Therefore, insert a minimum of 4 NOPs after the WAIT instruction and the instruction that sets all clock stop control bits to "1" in order to flush the instruction queue.

**A-D Converter**

- (1) Write to each bit (except bit 6) of A-D control register 0, to each bit of A-D control register 1, and to bit 0 of A-D control register 2 when A-D conversion is stopped (before a trigger occurs).  
In particular, when the Vref connection bit is changed from "0" to "1", start A-D conversion after an elapse of 1  $\mu\text{s}$  or longer.
- (2) When changing A-D operation mode, select analog input pin again.
- (3) Using one-shot mode or single sweep mode  
Read the correspondence A-D register after confirming A-D conversion is finished. (It is known by A-D conversion interrupt request bit.)
- (4) Using repeat mode, repeat sweep mode 0 or repeat sweep mode 1  
Use the undivided main clock as the internal CPU clock.
- (5) When  $f(\text{XIN})$  is faster than 10 MHz, make the frequency 10 MHz or less by dividing.
- (6) Output impedance of sensor at A-D conversion (Reference value)  
To carry out A-D conversion properly, charging the internal capacitor C shown in Figure 1.27.1 has to be completed within a specified period of time T. Let output impedance of sensor equivalent circuit be R0, microcomputer's internal resistance be R, precision (error) of the A-D converter be X, and the A-D converter's resolution be Y (Y is 1024 in the 10-bit mode, and 256 in the 8-bit mode).

Usage precaution

$$V_c \text{ is generally } V_c = V_{IN} \left\{ 1 - e^{-\frac{t}{C(R_0 + R)}} \right\}$$

$$\text{And when } t = T, \quad V_c = V_{IN} - \frac{X}{Y} V_{IN} = V_{IN} \left( 1 - \frac{X}{Y} \right)$$

$$e^{-\frac{T}{C(R_0 + R)}} = \frac{X}{Y}$$

$$-\frac{T}{C(R_0 + R)} = \ln \frac{X}{Y}$$

$$\text{Hence, } R_0 = -\frac{T}{C \cdot \ln \frac{X}{Y}} - R$$

With the model shown in Figure 1.27.1 as an example, when the difference between  $V_{IN}$  and  $V_c$  becomes 0.1LSB, we find impedance  $R_0$  when voltage between pins  $V_c$  changes from 0 to  $V_{IN} - (0.1/1024) V_{IN}$  in time  $T$ . (0.1/1024) means that A-D precision drop due to insufficient capacitor charge is held to 0.1LSB at time of A-D conversion in the 10-bit mode. Actual error however is the value of absolute precision added to 0.1LSB. When  $f(X_{IN}) = 10$  MHz,  $T = 0.3$   $\mu$ s in the A-D conversion mode with sample & hold. Output impedance  $R_0$  for sufficiently charging capacitor  $C$  within time  $T$  is determined as follows.

$T = 0.3$   $\mu$ s,  $R = 7.8$  k $\Omega$ ,  $C = 3$  pF,  $X = 0.1$ , and  $Y = 1024$ . Hence,

$$R_0 = -\frac{0.3 \times 10^{-6}}{3.0 \times 10^{-12} \cdot \ln \frac{0.1}{1024}} - 7.8 \times 10^3 \approx 3.0 \times 10^3$$

Thus, the allowable output impedance of the sensor circuit capable of thoroughly driving the A-D converter turns out to be approximately 3.0 k $\Omega$ . Tables 1.27.1 and 1.27.2 show output impedance values based on the LSB values.

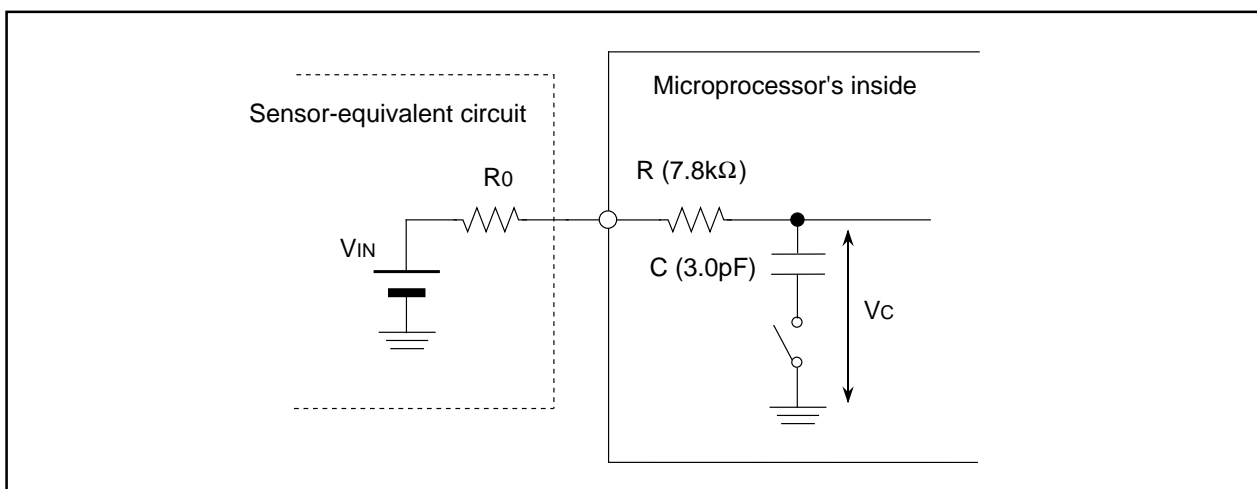


Figure 1.27.1 A circuit equivalent to the A-D conversion terminal

## Usage precaution

Tables 1.27.1. Output impedance values based on the LSB values (10-bit mode) Reference value

f(XIN) (MHz)	Cycle ( $\mu$ s)	Sampling time ( $\mu$ s)	R (Kohm)	C (pF)	Resolution (LSB)	R0max (Kohm)
10	0.1	0.3 (3 X cycle, Sample & hold bit is enabled)	7.8	3.0	0.1	3.0
					0.3	4.5
					0.5	5.3
					0.7	5.9
					0.9	6.4
					1.1	6.8
					1.3	7.2
					1.5	7.5
					1.7	7.8
10	0.1	0.2 (2 X cycle, Sample & hold bit is enabled)	7.8	3.0	0.3	0.4
					0.5	0.9
					0.7	1.3
					0.9	1.7
					1.1	2.0
					1.3	2.2
					1.5	2.4
					1.7	2.6
					1.9	2.8

Tables 1.27.2. Output impedance values based on the LSB values (8-bit mode) Reference value

f(XIN) (MHz)	Cycle ( $\mu$ s)	Sampling time ( $\mu$ s)	R (Kohm)	C (pF)	Resolution (LSB)	R0max (Kohm)
10	0.1	0.3 (3 X cycle, Sample & hold bit is enabled)	7.8	3.0	0.1	4.9
					0.3	7.0
					0.5	8.2
					0.7	9.1
					0.9	9.9
					1.1	10.5
					1.3	11.1
					1.5	11.7
					1.7	12.1
10	0.1	0.2 (2 X cycle, Sample & hold bit is enabled)	7.8	3.0	0.1	0.7
					0.3	2.1
					0.5	2.9
					0.7	3.5
					0.9	4.0
					1.1	4.4
					1.3	4.8
					1.5	5.2
					1.7	5.5
1.9	5.8					

## Usage precaution

**Interrupts**

## (1) Setting the stack pointer

- The value of the stack pointer is initialized to 000000<sub>16</sub> immediately after reset. Accepting an interrupt before setting a value in the stack pointer may cause runaway. Be sure to set a value in the stack pointer before accepting an interrupt.

When using the  $\overline{\text{NMI}}$  interrupt, initialize the stack pointer at the beginning of a program. Regarding the first instruction immediately after reset, generating any interrupts including the  $\overline{\text{NMI}}$  interrupt is prohibited.

Set an even address to the stack pointer so that operating efficiency is increased.

(2) The  $\overline{\text{NMI}}$  interrupt

- As for the  $\overline{\text{NMI}}$  interrupt pin, an interrupt cannot be prohibited. Connect it to the VCC pin via a resistance (pulled-up) if unused.
- The  $\overline{\text{NMI}}$  pin also serves as P85, which is exclusively input. Reading the contents of the P8 register allows reading the pin value. Use the reading of this pin only for establishing the pin level at the time when the  $\overline{\text{NMI}}$  interrupt is input.
- Signal of "L" level width more than 1 clock of CPU operation clock (BCLK) is necessary for  $\overline{\text{NMI}}$  pin.

## (3) Address match interrupt

- Do not set the following addresses to the address match interrupt register.
  1. The address of the starting instruction in an interrupt routine.
  2. Any of the next 7 instructions addresses immediately after an instruction to clear an interrupt request bit of an interrupt control register or an instruction to rewrite an interrupt priority level to a smaller value.
  3. Any of the next 3 instructions addresses immediately after an instruction to set the interrupt enable flag (I flag).
  4. Any of the next 3 instructions addresses immediately after an instruction to rewrite a processor interrupt priority level (IPL) to a smaller value.

## Example 1)

```

Interrupt_A:                ; Interrupt A routine
    pushm R0,R1,R2,R3,A0,A1 ; <---- Do not set address match interrupt to the
    .....                  ; start address of an interrupt instruction

```

## Example 2)

```

mov.b #0,TA0IC             ;Change TA0 interrupt priority level to a smaller value
nop                        ; 1st instruction
nop                        ; 2nd instruction
nop                        ; 3rd instruction
nop                        ; 4th instruction
nop                        ; 5th instruction
nop                        ; 6th instruction
nop                        ; 7th instruction

```

} Do not set address match interrupt during this period

## Example 3)

```

fset I                     ; Set I flag ( interrupt enabled)
nop                        ; 1st instruction
nop                        ; 2nd instruction
nop                        ; 3rd instruction

```

} Do not set address match interrupt during this period

## Usage precaution

## Example 4)

```

ldipl #0 ; Rewrite IPL to a smaller value
nop      ; 1st instruction
nop      ; 2nd instruction
nop      ; 3rd instruction

```

} Do not set address match interrupt during this period

- To return from an interrupt to the address set in an address match interrupt register using return instruction (reit or freit)

To rewrite the interrupt control register within the interrupt routine, add the below processing to the end of the routine (immediately before the reit or freit instruction). Also, if multiple interrupts are enabled with other interrupts, add the below processing to the end of the interrupt that enables the multiple interrupts.

If the interrupt control register is being rewritten within the non-maskable interrupt routine, add the below processing to the end of all interrupts.

## Additional process

```

; Execute after the register reset instruction (popm instruction)
fclr U ; Select ISP (Unnecessary if the ISP has been selected)
pushm R0 ; Store R0 register
mov.w 6[SP],R0 ; Read FLG on stack (use "stc SVF,R0" when high-speed
; interrupt)
ldc R0,FLG ; Set in FLG
popm R0 ; Restore R0 register
nop ; Dummy
reit ; Interrupt completed (use freit when high-speed interrupt)

```

## Example 5)

If rewriting the interrupt control register for interrupt B with the interrupt A routine and enabling multiple interrupts with interrupt C, the above processing is required at the end of the interrupt A and interrupt C routines.

## Interrupt A routine

```

Interrupt_A:
pushm R0,R1,R2,R3,A0,A1 ; Store registers
....
bclr 3,TA0IC ; Rewrite interrupt control register of interrupt B
....
popm R0,R1,R2,R3,A0,A1 ; Restore registers
fclr U ; Select ISP (Unnecessary if the ISP has been selected)
pushm R0 ; Store R0 register
mov.w 6[SP],R0 ; Read FLG on stack
ldc R0,FLG ; Set in FLG
popm R0 ; Restore R0 register
nop ; Dummy
reit ; Interrupt completed

```

## Usage precaution

```

                Interrupt C routine
Interrupt_C:
    pushm R0,R1,R2,R3,A0,A1    ; Store registers
    fset    I                    ; Multiple interrupt enabled
    .....
    .....
    popm   R0,R1,R2,R3,A0,A1   ; Restore registers
    fclr   U                    ; Select ISP (Unnecessary if the ISP has been selected)
    pushm R0                    ; Store R0 register
    mov.w 6[SP],R0              ; Read FLG on stack
    ldc   R0,FLG                ; Set in FLG
    popm  R0                    ; Restore R0 register
    nop                               ; Dummy
    reit                          ; Interrupt completed

```

## (4) External interrupt

## • Edge sense

Either an “L” level or an “H” level of at least 250 ns width is necessary for the signal input to pins INT<sub>0</sub> to INT<sub>5</sub> regardless of the CPU operation clock.

## • Level sense

Either an “L” level or an “H” level of 1 cycle of BCLK + at least 200 ns width is necessary for the signal input to pins INT<sub>0</sub> to INT<sub>5</sub> regardless of the CPU operation clock. (When XIN=20MHz and no division mode, at least 250 ns width is necessary.)

- When the polarity of the INT<sub>0</sub> to INT<sub>5</sub> pins is changed, the interrupt request bit is sometimes set to "1". After changing the polarity, set the interrupt request bit to "0". Figure 1.27.2 shows the procedure for changing the  $\overline{\text{INT}}$  interrupt generate factor.

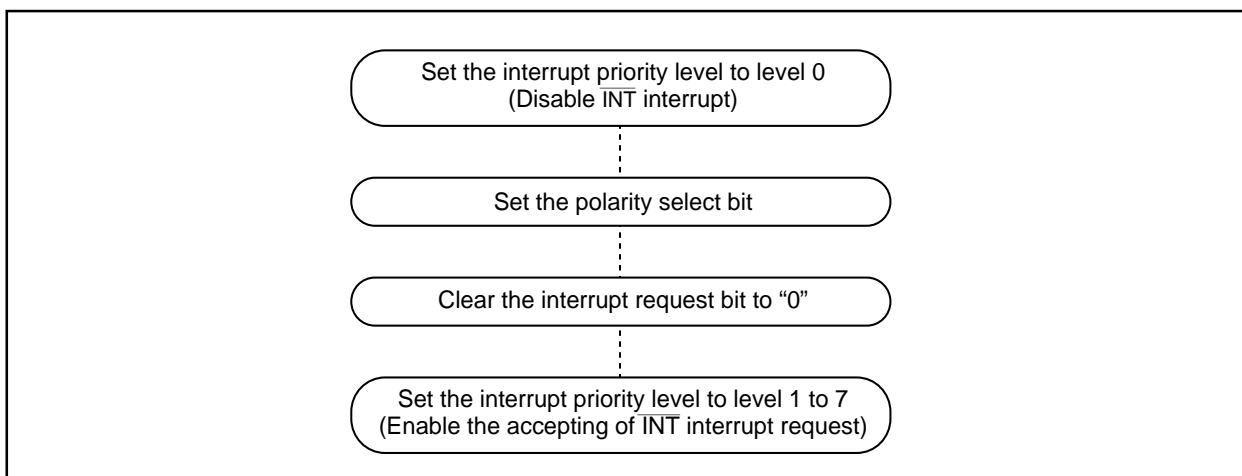


Figure 1.27.2. Switching condition of  $\overline{\text{INT}}$  interrupt request

## (5) Rewrite the interrupt control register

- When a instruction to rewrite the interrupt control register is executed but the interrupt is disabled, the interrupt request bit is not set sometimes even if the interrupt request for that register has been generated. This will depend on the instruction. If this creates problems, use the below instructions to change the register.

Instructions : AND, OR, BCLR, BSET

## Usage precaution

**DMAc**

- (1) Do not clear the DMA request bit of the DMAi request cause select register.

In M16C/80, when a DMA request is generated while the channel is disabled (Note), the DMA transfer is not executed and the DMA request bit is cleared automatically.

Note :The DMA is disabled or the transfer count register is "0".

- (2) When DMA transfer is done by a software trigger, set DSR and DRQ of the DMAi request cause select register to "1" simultaneously using the OR instruction.

e.g.) OR.B #0A0h, DMiSL ; DMiSL is DMAi request cause select register

- (3) When changing the DMAi request cause select bit of the DMAi request cause select register, set "1" to the DMA request bit, simultaneously. In this case, set the corresponding DMA channel to disabled before changing the DMAi request cause select bit. At least 2 instructions are needed from the instruction to write to the DMAi request cause select register to enable DMA.

Example) When DMA request cause is changed to timer A0 and using DMA0 in single transfer after DMA initial setting

push.w	R0	; Store R0 register	
stc	DMD0, R0	; Read DMA mode register 0	
and.b	#11111100b, R0L	; Clear DMA0 transfer mode select bit to "00"	
ldc	R0, DMD0	; <b>DMA0 disabled</b>	
mov.b	#10000011b, DM0SL	; <b>Select timer A0</b>	
		; <b>(Write "1" to DMA request bit simultaneously)</b>	
mov.b	R0L, R0L	; Dummy cycle	} <b>At least 2 instructions are needed until DMA enabled.</b>
or.b	#00000001b, R0L	; Set DMA0 single transfer	
ldc	R0, DMD0	; <b>DMA0 enabled</b>	
pop.w	R0	; Restore R0 register	

**Noise**

- (1) A bypass capacitor should be inserted between Vcc-Vss line for reducing noise and latch-up

Connect a bypass capacitor (approx. 0.1μF) between the Vcc and Vss pins using short wiring and thicker circuit traces.

**Precautions for using CLKout pin**

When using the Clock Output function of P53/CLKOUT pin (f8, f32 or fc output) in single chip mode, use port P57 as an input only port (port P57 direction register is "0").

Although port P57 may be set as an output port, it will become high impedance and will not output "H" or "L" levels.

**HOLD signal**

When using the  $\overline{\text{HOLD}}$  input while P40 to P47 and P50 to P52 are set as output ports in single-chip mode, you must first set all pins for P40 to P47 and P50 to P52 as input ports, then shift to microprocessor mode or memory expansion mode.

## Reducing power consumption

- (1) When A-D conversion is not performed, select the Vref not connected with the Vref connect bit of A-D control register 1. When A-D conversion is performed, start the A-D conversion at least 1  $\mu$ s or longer after connecting Vref.
- (2) When using AN4 (P104) to AN7 (P107), select the input disable of the key input interrupt signal with the key input interrupt disable bit of the function select register C .  
When selecting the input disable of the key input interrupt signal, the key input interrupt cannot be used. Also, the port cannot be input even if the direction register of P104 to P107 is set to input (the input result becomes undefined). When the input disable of the key input interrupt signal is selected, use all AN4 to AN7 as A-D inputs.
- (3) When ANEX0 and ANEX1 are used, select the input peripheral function disable with port P95 and P96 input peripheral function select bit of the function select register B3.  
When the input peripheral function disable is selected, the port cannot be input even if the port direction register is set to input (the input result becomes undefined).  
Also, it is not possible to input a peripheral function except ANEX0 and ANEX1.
- (4) When D-A converter is not used, set output disabled with the D-A output enable bit of D-A control register and set the D-A register to "0016".
- (5) When D-A conversion is used, select the input peripheral function disabled with port P93 and P94 input peripheral function select bit of the function select register B3.  
When the input peripheral function disabled is selected, the port cannot be input even if the port direction register is set to input (the input result becomes undefined).  
Also, it is not possible to input a peripheral function.

## DRAM controller

When shifting to self-refresh, select DRAM ignored by the DRAM space select bit. In the next instruction, simultaneously set the DRAM space select bit and self-refresh ON by self-refresh mode bit. Also, insert two NOPs after the instruction that sets the self-refresh mode bit to "1".

Do not access external memory while operating in self-refresh. (All external memory space access is inhibited. )

When disabling self-refresh, simultaneously select DRAM ignored by the DRAM space select bit and self-refresh OFF by self-refresh mode bit. In the next instruction, set the DRAM space select bit.

Do not access the DRAM space immediately after setting the DRAM space select bit.

Example) One wait is selected by the wait select bit and 4MB is selected by the DRAM space select bit

Shifting to self-refresh

```

...
mov.b #00000001b,DRAMCONT ;DRAM ignored, one wait is selected
mov.b #10001011b,DRAMCONT ;Set self-refresh, select 4MB and one wait
nop ;Two nops are needed
nop ;
...

```

Disable self-refresh

```

...
mov.b #00000001b,DRAMCONT ;Disable self-refresh, DRAM ignored, one wait is
                          ;selected
mov.b #00001011b,DRAMCONT ;Select 4MB and one wait
nop ;Inhibit instruction to access DRAM area
nop
...

```



## Setting the registers

The registers shown in Table 1.27.3 include indeterminate bit when read. Set immediate to these registers.

Store the content of the frequently used register to RAM, change the content of RAM, then transfer to the register.

**Table 1.27.3 The object registers**

Register name	Symbol	Address
UART4 bit rate generator	U4BRG	02F9 <sub>16</sub>
UART4 transfer buffer register	U4TB	02FB <sub>16</sub> , 02FA <sub>16</sub>
Dead time timer	DTT	030C <sub>16</sub>
Timer B2 interrupt occurrence frequency set counter	ICTB2	030D <sub>16</sub>
UART3 bit rate generator	U3BRG	0329 <sub>16</sub>
UART3 transfer buffer register	U3TB	032B <sub>16</sub> , 032A <sub>16</sub>
UART2 bit rate generator	U2BRG	0339 <sub>16</sub>
UART2 transfer buffer register	U2TB	033B <sub>16</sub> , 033A <sub>16</sub>
Up-down flag	UDF	0344 <sub>16</sub>
Timer A0 register (Note)	TA0	0347 <sub>16</sub> , 0346 <sub>16</sub>
Timer A1 register (Note)	TA1	0349 <sub>16</sub> , 0348 <sub>16</sub>
Timer A2 register (Note)	TA2	034B <sub>16</sub> , 034A <sub>16</sub>
Timer A3 register (Note)	TA3	034D <sub>16</sub> , 034C <sub>16</sub>
Timer A4 register (Note)	TA4	034F <sub>16</sub> , 034E <sub>16</sub>
UART0 bit rate generator	U0BRG	0361 <sub>16</sub>
UART0 transfer buffer register	U0TB	0363 <sub>16</sub> , 0362 <sub>16</sub>
UART1 bit rate generator	U1BRG	0369 <sub>16</sub>
UART1 transfer buffer register	U1TB	036B <sub>16</sub> , 036A <sub>16</sub>

Note: In one-shot timer mode and pulse width modulation mode.

## External ROM version (144-pin version)

The external ROM version is operated only in microprocessor mode, so be sure to perform the following:

- Connect CNVss pin to Vcc.

## Notes on the microprocessor mode and transition after shifting from the microprocessor mode to the memory expansion mode / single-chip mode

In microprocessor mode, the SFR, internal RAM, and external memory space can be accessed.

For that reason, the internal ROM area cannot be accessed.

After the reset has been released and the operation of shifting from the microprocessor mode has started ("H" applied to the CNVss pin), the internal ROM area cannot be accessed even if the CPU shifts to the memory expansion mode or single-chip mode.

## Flash memory version

Bit 7 and bit 6 of the processor mode register 1 (address 0005<sub>16</sub>) must be set to "112" and this setting should be done when the main clock is divided by 8.

## Electrical characteristics

## Electrical characteristics

Table 1.28.1. Absolute maximum ratings

Symbol	Parameter		Condition	Rated value	Unit
V <sub>cc</sub>	Supply voltage		V <sub>cc</sub> =AV <sub>cc</sub>	-0.3 to 6.5	V
AV <sub>cc</sub>	Analog supply voltage		V <sub>cc</sub> =AV <sub>cc</sub>	-0.3 to 6.5	V
V <sub>i</sub>	Input voltage	RESET <sub>̄</sub> , (maskROM : CNV <sub>ss</sub> , BYTE), P0 <sub>0</sub> -P0 <sub>7</sub> , P1 <sub>0</sub> -P1 <sub>7</sub> , P2 <sub>0</sub> -P2 <sub>7</sub> , P3 <sub>0</sub> -P3 <sub>7</sub> , P4 <sub>0</sub> -P4 <sub>7</sub> , P5 <sub>0</sub> -P5 <sub>7</sub> , P6 <sub>0</sub> -P6 <sub>7</sub> , P7 <sub>2</sub> -P7 <sub>7</sub> , P8 <sub>0</sub> -P8 <sub>7</sub> , P9 <sub>0</sub> -P9 <sub>7</sub> , P10 <sub>0</sub> -P10 <sub>7</sub> , P11 <sub>0</sub> -P11 <sub>4</sub> , P12 <sub>0</sub> -P12 <sub>7</sub> , P13 <sub>0</sub> -P13 <sub>7</sub> , P14 <sub>0</sub> -P14 <sub>6</sub> , P15 <sub>0</sub> -P15 <sub>7</sub> , VREF, XIN (Note 1)		-0.3 to V <sub>cc</sub> +0.3	V
		P7 <sub>0</sub> , P7 <sub>1</sub>		-0.3 to 6.5	V
V <sub>o</sub>	Output voltage	P0 <sub>0</sub> -P0 <sub>7</sub> , P1 <sub>0</sub> -P1 <sub>7</sub> , P2 <sub>0</sub> -P2 <sub>7</sub> , P3 <sub>0</sub> -P3 <sub>7</sub> , P4 <sub>0</sub> -P4 <sub>7</sub> , P5 <sub>0</sub> -P5 <sub>7</sub> , P6 <sub>0</sub> -P6 <sub>7</sub> , P7 <sub>2</sub> -P7 <sub>7</sub> , P8 <sub>0</sub> -P8 <sub>4</sub> , P8 <sub>6</sub> , P8 <sub>7</sub> , P9 <sub>0</sub> -P9 <sub>7</sub> , P10 <sub>0</sub> -P10 <sub>7</sub> , P11 <sub>0</sub> -P11 <sub>4</sub> , P12 <sub>0</sub> -P12 <sub>7</sub> , P13 <sub>0</sub> -P13 <sub>7</sub> , P14 <sub>0</sub> -P14 <sub>6</sub> , P15 <sub>0</sub> -P15 <sub>7</sub> , XOUT (Note 1)		-0.3 to V <sub>cc</sub> +0.3	V
		P7 <sub>0</sub> , P7 <sub>1</sub>		-0.3 to 6.5	V
P <sub>d</sub>	Power dissipation		T <sub>opr</sub> =25 °C	500	mW
T <sub>opr</sub>	Operating ambient temperature			-20 to 85 / -40 to 85 (Note 2)	°C
T <sub>stg</sub>	Storage temperature			-65 to 150	°C

Note 1: Port P11 to P15 exist in 144-pin version.

Note 2: Specify a product of -40 to 85°C to use it.

## Electrical characteristics

**Table 1.28.2. Recommended operating conditions (referenced to  $V_{CC} = 2.7V$  to  $5.5V$  at  $T_{opr} = -20$  to  $85^{\circ}C$  /  $-40$  to  $85^{\circ}C$ (Note3) unless otherwise specified)**

Symbol	Parameter		Standard			Unit
			Min	Typ.	Max.	
$V_{CC}$	Supply voltage		2.7	5.0	5.5	V
$AV_{CC}$	Analog supply voltage			$V_{CC}$		V
$V_{SS}$	Supply voltage			0		V
$AV_{SS}$	Analog supply voltage			0		V
$V_{IH}$	HIGH input voltage	P40-P47, P50-P57, P60-P67, P72-P77, P80-P87, P90-P97, P100-P107, P110-P114, P120-P127, P130-P137, P140-P146, P150-P157 (Note 5), $X_{IN}$ , RESET, $CNV_{SS}$ , BYTE	0.8 $V_{CC}$		$V_{CC}$	V
		P70, P71	0.8 $V_{CC}$		6.5	V
		P00-P07, P10-P17, P20-P27, P30-P37 (during single-chip mode)	0.8 $V_{CC}$		$V_{CC}$	V
		P00-P07, P10-P17, P20-P27, P30-P37 (data input function during memory expansion and microprocessor modes)	0.5 $V_{CC}$		$V_{CC}$	V
$V_{IL}$	LOW input voltage	P40-P47, P50-P57, P60-P67, P70-P77, P80-P87, P90-P97, P100-P107, P110-P114, P120-P127, P130-P137, P140-P146, P150-P157 (Note 5), $X_{IN}$ , RESET, $CNV_{SS}$ , BYTE	0		0.2 $V_{CC}$	V
		P00-P07, P10-P17, P20-P27, P30-P37 (during single-chip mode)	0		0.2 $V_{CC}$	V
		P00-P07, P10-P17, P20-P27, P30-P37 (data input function during memory expansion and microprocessor modes)	0		0.16 $V_{CC}$	V
$I_{OH(peak)}$	HIGH peak output current	P00-P07, P10-P17, P20-P27, P30-P37, P40-P47, P50-P57, P60-P67, P72-P77, P80-P84, P86, P87, P90-P97, P100-P107, P110-P114, P120-P127, P130-P137, P140-P146, P150-P157 (Note 5)			-10.0	mA
$I_{OH(avg)}$	HIGH average output current	P00-P07, P10-P17, P20-P27, P30-P37, P40-P47, P50-P57, P60-P67, P72-P77, P80-P84, P86, P87, P90-P97, P100-P107, P110-P114, P120-P127, P130-P137, P140-P146, P150-P157 (Note 5)			-5.0	mA
$I_{OL(peak)}$	LOW peak output current	P00-P07, P10-P17, P20-P27, P30-P37, P40-P47, P50-P57, P60-P67, P70-P77, P80-P84, P86, P87, P90-P97, P100-P107, P110-P114, P120-P127, P130-P137, P140-P146, P150-P157 (Note 5)			10.0	mA
$I_{OL(avg)}$	LOW average output current	P00-P07, P10-P17, P20-P27, P30-P37, P40-P47, P50-P57, P60-P67, P70-P77, P80-P84, P86, P87, P90-P97, P100-P107, P110-P114, P120-P127, P130-P137, P140-P146, P150-P157 (Note 5)			5.0	mA
$f(X_{IN})$	Main clock input oscillation frequency	No wait	$V_{CC}=4.2V$ to $5.5V$	0	20	MHz
			$V_{CC}=2.7V$ to $4.2V$	0	10	MHz
$f(X_{CIN})$	Subclock oscillation frequency			32.768	50	kHz

Note 1: The mean output current is the mean value within 100ms.

Note 2: The total  $I_{OL(peak)}$  for ports P0, P1, P2, P86, P87, P9, P10, P11, P14 and P15 must be 80mA max. The total  $I_{OH(peak)}$  for ports P0, P1, P2, P86, P87, P9, P10, P11, P14 and P15 must be -80mA max. The total  $I_{OL(peak)}$  for ports P3, P4, P5, P6, P7, P80 to P84, P12 and P13 must be 80mA max. The total  $I_{OH(peak)}$  for ports P3, P4, P5, P6, P72 to P77, P80 to P84, P12 and P13 must be -80mA max.

Note 3: Specify a product of  $-40$  to  $85^{\circ}C$  to use it.

Note 4: The specification of  $V_{IH}$  and  $V_{IL}$  of P87 is not when using as  $X_{CIN}$  but when using programmable input port.

Note 5: Port P11 to P15 exist in 144-pin version.

Electrical characteristics (V<sub>CC</sub> = 5V)V<sub>CC</sub> = 5VTable 1.28.3. Electrical characteristics (referenced to V<sub>CC</sub>=5V, V<sub>SS</sub>=0V at Topr=25°C, f(X<sub>IN</sub>)=20MHz unless otherwise specified)

Symbol	Parameter		Measuring condition	Standard			Unit			
				Min	Typ.	Max.				
V <sub>OH</sub>	HIGH output voltage	P00-P07, P10-P17, P20-P27, P30-P37, P40-P47, P50-P57, P60-P67, P72-P77, P80-P84, P86, P87, P90-P97, P100-P107, P110-P114, P120-P127, P130-P137, P140-P146, P150-P157 (Note 1)	I <sub>OH</sub> = - 5mA	3.0			V			
V <sub>OH</sub>	HIGH output voltage	P00-P07, P10-P17, P20-P27, P30-P37, P40-P47, P50-P57, P60-P67, P72-P77, P80-P84, P86, P87, P90-P97, P100-P107, P110-P114, P120-P127, P130-P137, P140-P146, P150-P157 (Note 1)	I <sub>OH</sub> = - 200μA	4.7			V			
V <sub>OH</sub>	HIGH output voltage	X <sub>OUT</sub>	HIGHPOWER	I <sub>OH</sub> = - 1mA	3.0		V			
			LOWPOWER	I <sub>OH</sub> = - 0.5mA	3.0		V			
	HIGH output voltage	X <sub>COUT</sub>	HIGHPOWER	With no load applied		3.0	V			
			LOWPOWER	With no load applied		1.6	V			
V <sub>OL</sub>	LOW output voltage	P00-P07, P10-P17, P20-P27, P30-P37, P40-P47, P50-P57, P60-P67, P70-P77, P80-P84, P86, P87, P90-P97, P100-P107, P110-P114, P120-P127, P130-P137, P140-P146, P150-P157 (Note 1)	I <sub>OL</sub> =5mA			2.0	V			
V <sub>OL</sub>	LOW output voltage	P00-P07, P10-P17, P20-P27, P30-P37, P40-P47, P50-P57, P60-P67, P70-P77, P80-P84, P86, P87, P90-P97, P100-P107, P110-P114, P120-P127, P130-P137, P140-P146, P150-P157 (Note 1)	I <sub>OL</sub> =200μA			0.45	V			
V <sub>OL</sub>	LOW output voltage	X <sub>OUT</sub>	HIGHPOWER	I <sub>OL</sub> =1mA		2.0	V			
			LOWPOWER	I <sub>OL</sub> =0.5mA		2.0	V			
	LOW output voltage	X <sub>COUT</sub>	HIGHPOWER	With no load applied		0	V			
			LOWPOWER	With no load applied		0	V			
V <sub>T+</sub> -V <sub>T-</sub>	Hysteresis	HOLD, RDY, TA0IN-TA4IN, TB0IN-TB5IN, INT0-INT5, ADTRG, CTS0-CTS4, CLK0-CLK4, TA0OUT-TA4OUT, NMI, KI0-KI3, RxD0-RxD4, SCL2-SCL4, SDA2-SDA4		0.2		1.0	V			
V <sub>T+</sub> -V <sub>T-</sub>	Hysteresis	RESET		0.2		1.8	V			
I <sub>IH</sub>	HIGH input current	P00-P07, P10-P17, P20-P27, P30-P37, P40-P47, P50-P57, P60-P67, P70-P77, P80-P87, P90-P97, P100-P107, P110-P114, P120-P127, P130-P137, P140-P146, P150-P157, X <sub>IN</sub> , RESET, CNV <sub>SS</sub> , BYTE (Note 1)	V <sub>I</sub> =5V			5.0	μA			
I <sub>IL</sub>	LOW input current	P00-P07, P10-P17, P20-P27, P30-P37, P40-P47, P50-P57, P60-P67, P70-P77, P80-P87, P90-P97, P100-P107, P110-P114, P120-P127, P130-P137, P140-P146, P150-P157, X <sub>IN</sub> , RESET, CNV <sub>SS</sub> , BYTE (Note 1)	V <sub>I</sub> =0V			- 5.0	μA			
R <sub>PULLUP</sub>	Pull-up resistance	P00-P07, P10-P17, P20-P27, P30-P37, P40-P47, P50-P57, P60-P67, P72-P77, P80-P84, P86, P87, P90-P97, P100-P107, P110-P114, P120-P127, P130-P137, P140-P146, P150-P157 (Note 1)	V <sub>I</sub> =0V	30.0	50.0	167.0	kΩ			
R <sub>FXIN</sub>	Feedback resistance	X <sub>IN</sub>			1.0		MΩ			
R <sub>FXCIN</sub>	Feedback resistance	X <sub>CIN</sub>			6.0		MΩ			
V <sub>RAM</sub>	RAM retention voltage		When clock is stopped	2.0			V			
I <sub>CC</sub>	Power supply current	Measuring condition: In single-chip mode, the output pins are open and other pins are V <sub>SS</sub>	f(X <sub>IN</sub> )=20MHz Square wave, no division	Mask ROM 128 KB version	45.0	72.0	mA			
				ROMless RAM 10 KB version (Note 2)						
				Mask ROM 256 KB version	50.0	80.0				
							Flash memory version	50.0	80.0	
				f(X <sub>CIN</sub> )=32kHz Square wave	Mask ROM 128 KB version	90.0		μA		
					ROMless RAM 10 KB version (Note 2)					
					Mask ROM 256 KB version	100.0				
							Flash memory version	7.0		mA
				f(X <sub>CIN</sub> )=32kHz When a WAIT instruction is executed	Mask ROM 128 KB version			μA		
					ROMless RAM 10KB version (Note 2)		1.0			
Mask ROM 256 KB version		2.0								
Flash memory version		1.0								
Topr=85°C when clock is stopped						20.0				

Note 1: Port P11 to P15 exist in 144-pin version.

Note 2: ROMless version exists in 144-pin version.

$V_{CC} = 5V$ **Table 1.28.4. A-D conversion characteristics (referenced to  $V_{CC} = AV_{CC} = V_{REF} = 5V$ ,  $V_{SS} = AV_{SS} = 0V$  at  $T_{opr} = 25^{\circ}C$ ,  $f(X_{IN}) = 20MHz$  unless otherwise specified)**

Symbol	Parameter		Measuring condition	Standard			Unit	
				Min.	Typ.	Max.		
-	Resolution		$V_{REF} = V_{CC}$			10	Bits	
-	Absolute accuracy	Sample & hold function not available	$V_{REF} = V_{CC} = 5V$			$\pm 3$	LSB	
		Sample & hold function available (10bit)	$V_{REF} = V_{CC} = 5V$	AN0 to AN7 input			$\pm 3$	LSB
				ANEX0, ANEX1 input, External op-amp connection mode			$\pm 7$	LSB
Sample & hold function available (8bit)	$V_{REF} = V_{CC} = 5V$				$\pm 2$	LSB		
$R_{LADDER}$	Ladder resistance		$V_{REF} = V_{CC}$	10		40	$k\Omega$	
$t_{CONV}$	Conversion time (10bit)			3.3			$\mu s$	
$t_{CONV}$	Conversion time (8bit)			2.8			$\mu s$	
$t_{SAMP}$	Sampling time			0.3			$\mu s$	
$V_{REF}$	Reference voltage			2		$V_{CC}$	V	
$V_{IA}$	Analog input voltage			0		$V_{REF}$	V	

Note: Divide the frequency if  $f(X_{IN})$  exceeds 10 MHz, and make  $\emptyset AD$  equal to or lower than 10 MHz.

**Table 1.28.5. D-A conversion characteristics (referenced to  $V_{CC} = 5V$ ,  $V_{SS} = AV_{SS} = 0V$ ,  $V_{REF} = 5V$  at  $T_{opr} = 25^{\circ}C$ ,  $f(X_{IN}) = 20MHz$  unless otherwise specified)**

Symbol	Parameter		Measuring condition	Standard			Unit
				Min.	Typ.	Max.	
-	Resolution					8	Bits
-	Absolute accuracy					1.0	%
$t_{SU}$	Setup time					3	$\mu s$
$R_O$	Output resistance			4	10	20	$k\Omega$
$I_{VREF}$	Reference power supply input current		(Note)			1.5	mA

Note: This applies when using one D-A converter, with the D-A register for the unused D-A converter set to "0016".

The A-D converter's ladder resistance is not included.

Also, when the contents of D-A register is except "0016" and the  $V_{REF}$  is unconnected at the A-D control register 1,  $I_{VREF}$  is sent.

Timing (V<sub>CC</sub> = 5V)V<sub>CC</sub> = 5VTiming requirements (referenced to V<sub>CC</sub> = 5V, V<sub>SS</sub> = 0V at Topr = 25°C unless otherwise specified)

Table 1.28.6. External clock input

Symbol	Parameter	Standard		Unit
		Min.	Max.	
t <sub>c</sub>	External clock input cycle time	50		ns
t <sub>w(H)</sub>	External clock input HIGH pulse width	22		ns
t <sub>w(L)</sub>	External clock input LOW pulse width	22		ns
t <sub>r</sub>	External clock rise time		5	ns
t <sub>f</sub>	External clock fall time		5	ns

Table 1.28.7. Memory expansion and microprocessor modes

Symbol	Parameter	Standard		Unit
		Min.	Max.	
t <sub>ac1</sub> (RD-DB)	Data input access time (RD standard, no wait)		(Note)	ns
t <sub>ac1</sub> (AD-DB)	Data input access time (AD standard, CS standard, no wait)		(Note)	ns
t <sub>ac2</sub> (RD-DB)	Data input access time (RD standard, with wait)		(Note)	ns
t <sub>ac2</sub> (AD-DB)	Data input access time (AD standard, CS standard, with wait)		(Note)	ns
t <sub>ac3</sub> (RD-DB)	Data input access time (RD standard, when accessing multiplex bus area)		(Note)	ns
t <sub>ac3</sub> (AD-DB)	Data input access time (AD standard, CS standard, when accessing multiplex bus area)		(Note)	ns
t <sub>ac4</sub> (RAS-DB)	Data input access time (RAS standard, DRAM access)		(Note)	ns
t <sub>ac4</sub> (CAS-DB)	Data input access time (CAS standard, DRAM access)		(Note)	ns
t <sub>ac4</sub> (CAD-DB)	Data input access time (CAD standard, DRAM access)		(Note)	ns
t <sub>su</sub> (DB-BCLK)	Data input setup time	26		ns
t <sub>su</sub> (RDY-BCLK)	$\overline{\text{RDY}}$ input setup time	26		ns
t <sub>su</sub> (HOLD-BCLK)	$\overline{\text{HOLD}}$ input setup time	30		ns
t <sub>h</sub> (RD-DB)	Data input hold time	0		ns
t <sub>h</sub> (CAS-DB)	Data input hold time	0		ns
t <sub>h</sub> (BCLK-RDY)	$\overline{\text{RDY}}$ input hold time	0		ns
t <sub>h</sub> (BCLK-HOLD)	$\overline{\text{HOLD}}$ input hold time	0		ns
t <sub>d</sub> (BCLK-HLDA)	HLDA output delay time		25	ns

Note: Calculated according to the BCLK frequency as follows:

Note that inserting wait or using lower operation frequency f(BCLK) is needed when calculated value is negative.

$$t_{ac1}(\text{RD-DB}) = \frac{10^9}{f(\text{BCLK}) \times 2} - 35 \quad [\text{ns}]$$

$$t_{ac1}(\text{AD-DB}) = \frac{10^9}{f(\text{BCLK})} - 35 \quad [\text{ns}]$$

$$t_{ac2}(\text{RD-DB}) = \frac{10^9 \times m}{f(\text{BCLK}) \times 2} - 35 \quad [\text{ns}] \quad (m=3, 5 \text{ and } 7 \text{ when } 1 \text{ wait, } 2 \text{ wait and } 3 \text{ wait, respectively})$$

$$t_{ac2}(\text{AD-DB}) = \frac{10^9 \times n}{f(\text{BCLK})} - 35 \quad [\text{ns}] \quad (n=2, 3 \text{ and } 4 \text{ when } 1 \text{ wait, } 2 \text{ wait and } 3 \text{ wait, respectively})$$

$$t_{ac3}(\text{RD-DB}) = \frac{10^9 \times m}{f(\text{BCLK}) \times 2} - 35 \quad [\text{ns}] \quad (m=3 \text{ and } 5 \text{ when } 2 \text{ wait and } 3 \text{ wait, respectively})$$

$$t_{ac3}(\text{AD-DB}) = \frac{10^9 \times n}{f(\text{BCLK}) \times 2} - 35 \quad [\text{ns}] \quad (n=5 \text{ and } 7 \text{ when } 2 \text{ wait and } 3 \text{ wait, respectively})$$

$$t_{ac4}(\text{RAS-DB}) = \frac{10^9 \times m}{f(\text{BCLK}) \times 2} - 35 \quad [\text{ns}] \quad (m=3 \text{ and } 5 \text{ when } 1 \text{ wait and } 2 \text{ wait, respectively})$$

$$t_{ac4}(\text{CAS-DB}) = \frac{10^9 \times n}{f(\text{BCLK}) \times 2} - 35 \quad [\text{ns}] \quad (n=1 \text{ and } 3 \text{ when } 1 \text{ wait and } 2 \text{ wait, respectively})$$

$$t_{ac4}(\text{CAD-DB}) = \frac{10^9 \times l}{f(\text{BCLK})} - 35 \quad [\text{ns}] \quad (l=1 \text{ and } 2 \text{ when } 1 \text{ wait and } 2 \text{ wait, respectively})$$

Timing ( $V_{CC} = 5V$ ) $V_{CC} = 5V$ Timing requirements (referenced to  $V_{CC} = 5V$ ,  $V_{SS} = 0V$  at  $T_{opr} = 25^{\circ}C$  unless otherwise specified)**Table 1.28.8. Timer A input (counter input in event counter mode)**

Symbol	Parameter	Standard		Unit
		Min.	Max.	
$t_{c(TA)}$	TAiIN input cycle time	100		ns
$t_{w(TAH)}$	TAiIN input HIGH pulse width	40		ns
$t_{w(TAL)}$	TAiIN input LOW pulse width	40		ns

**Table 1.28.9. Timer A input (gating input in timer mode)**

Symbol	Parameter	Standard		Unit
		Min.	Max.	
$t_{c(TA)}$	TAiIN input cycle time	400		ns
$t_{w(TAH)}$	TAiIN input HIGH pulse width	200		ns
$t_{w(TAL)}$	TAiIN input LOW pulse width	200		ns

**Table 1.28.10. Timer A input (external trigger input in one-shot timer mode)**

Symbol	Parameter	Standard		Unit
		Min.	Max.	
$t_{c(TA)}$	TAiIN input cycle time	200		ns
$t_{w(TAH)}$	TAiIN input HIGH pulse width	100		ns
$t_{w(TAL)}$	TAiIN input LOW pulse width	100		ns

**Table 1.28.11. Timer A input (external trigger input in pulse width modulation mode)**

Symbol	Parameter	Standard		Unit
		Min.	Max.	
$t_{w(TAH)}$	TAiIN input HIGH pulse width	100		ns
$t_{w(TAL)}$	TAiIN input LOW pulse width	100		ns

**Table 1.28.12. Timer A input (up/down input in event counter mode)**

Symbol	Parameter	Standard		Unit
		Min.	Max.	
$t_{c(UP)}$	TAiOUT input cycle time	2000		ns
$t_{w(UPH)}$	TAiOUT input HIGH pulse width	1000		ns
$t_{w(UPL)}$	TAiOUT input LOW pulse width	1000		ns
$t_{su(UP-TIN)}$	TAiOUT input setup time	400		ns
$t_{h(TIN-UP)}$	TAiOUT input hold time	400		ns

$V_{CC} = 5V$ Timing requirements (referenced to  $V_{CC} = 5V$ ,  $V_{SS} = 0V$  at  $T_{opr} = 25^{\circ}C$  unless otherwise specified)**Table 1.28.13. Timer B input (counter input in event counter mode)**

Symbol	Parameter	Standard		Unit
		Min.	Max.	
$t_{c(TB)}$	TBiIN input cycle time (counted on one edge)	100		ns
$t_{w(TBH)}$	TBiIN input HIGH pulse width (counted on one edge)	40		ns
$t_{w(TBL)}$	TBiIN input LOW pulse width (counted on one edge)	40		ns
$t_{c(TB)}$	TBiIN input cycle time (counted on both edges)	200		ns
$t_{w(TBH)}$	TBiIN input HIGH pulse width (counted on both edges)	80		ns
$t_{w(TBL)}$	TBiIN input LOW pulse width (counted on both edges)	80		ns

**Table 1.28.14. Timer B input (pulse period measurement mode)**

Symbol	Parameter	Standard		Unit
		Min.	Max.	
$t_{c(TB)}$	TBiIN input cycle time	400		ns
$t_{w(TBH)}$	TBiIN input HIGH pulse width	200		ns
$t_{w(TBL)}$	TBiIN input LOW pulse width	200		ns

**Table 1.28.15. Timer B input (pulse width measurement mode)**

Symbol	Parameter	Standard		Unit
		Min.	Max.	
$t_{c(TB)}$	TBiIN input cycle time	400		ns
$t_{w(TBH)}$	TBiIN input HIGH pulse width	200		ns
$t_{w(TBL)}$	TBiIN input LOW pulse width	200		ns

**Table 1.28.16. A-D trigger input**

Symbol	Parameter	Standard		Unit
		Min.	Max.	
$t_{c(AD)}$	ADTRG input cycle time (trigger able minimum)	1000		ns
$t_{w(ADL)}$	ADTRG input LOW pulse width	125		ns

**Table 1.28.17. Serial I/O**

Symbol	Parameter	Standard		Unit
		Min.	Max.	
$t_{c(CK)}$	CLKi input cycle time	200		ns
$t_{w(CKH)}$	CLKi input HIGH pulse width	100		ns
$t_{w(CKL)}$	CLKi input LOW pulse width	100		ns
$t_d(C-Q)$	TxDi output delay time		80	ns
$t_h(C-Q)$	TxDi hold time	0		ns
$t_{su}(D-C)$	RxDi input setup time	30		ns
$t_h(C-D)$	RxDi input hold time	90		ns

**Table 1.28.18. External interrupt  $\overline{INT}_i$  inputs**

Symbol	Parameter	Standard		Unit
		Min.	Max.	
$t_{w(INH)}$	$\overline{INT}_i$ input HIGH pulse width	250		ns
$t_{w(INL)}$	$\overline{INT}_i$ input LOW pulse width	250		ns



Timing (V<sub>CC</sub> = 5V)V<sub>CC</sub> = 5V

Switching characteristics (referenced to V<sub>CC</sub> = 5V, V<sub>SS</sub> = 0V at Topr = 25°C, CM15 = "1" unless otherwise specified)

Table 1.28.19. Memory expansion mode and microprocessor mode (no wait)

Symbol	Parameter	Measuring condition	Standard		Unit
			Min.	Max.	
t <sub>d</sub> (BCLK-AD)	Address output delay time	Figure 1.28.1		18	ns
t <sub>h</sub> (BCLK-AD)	Address output hold time (BCLK standard)		-3		ns
t <sub>h</sub> (RD-AD)	Address output hold time (RD standard)		0		ns
t <sub>h</sub> (WR-AD)	Address output hold time (WR standard)		(Note)		ns
t <sub>d</sub> (BCLK-CS)	Chip select output delay time			18	ns
t <sub>h</sub> (BCLK-CS)	Chip select output hold time (BCLK standard)		-3		ns
t <sub>h</sub> (RD-CS)	Chip select output hold time (RD standard)		0		ns
t <sub>h</sub> (WR-CS)	Chip select output hold time (WR standard)		(Note)		ns
t <sub>d</sub> (BCLK-ALE)	ALE signal output delay time			18	ns
t <sub>h</sub> (BCLK-ALE)	ALE signal output hold time		-2		ns
t <sub>d</sub> (BCLK-RD)	RD signal output delay time			10	ns
t <sub>h</sub> (BCLK-RD)	RD signal output hold time		-5		ns
t <sub>d</sub> (BCLK-WR)	WR signal output delay time			18	ns
t <sub>h</sub> (BCLK-WR)	WR signal output hold time		-3		ns
t <sub>d</sub> (DB-WR)	Data output delay time (WR standard)		(Note)		ns
t <sub>h</sub> (WR-DB)	Data output hold time (WR standard)		(Note)		ns
t <sub>w</sub> (WR)	WR signal width		(Note)		ns

Note: Calculated according to the BCLK frequency as follows:

$$t_{d(DB-WR)} = \frac{10^9}{f_{(BCLK)}} - 20 \quad [\text{ns}]$$

$$t_{h(WR-DB)} = \frac{10^9}{f_{(BCLK)} \times 2} - 10 \quad [\text{ns}]$$

$$t_{h(WR-AD)} = \frac{10^9}{f_{(BCLK)} \times 2} - 10 \quad [\text{ns}]$$

$$t_{h(WR-CS)} = \frac{10^9}{f_{(BCLK)} \times 2} - 10 \quad [\text{ns}]$$

$$t_{w(WR)} = \frac{10^9}{f_{(BCLK)} \times 2} - 15 \quad [\text{ns}]$$

V<sub>cc</sub> = 5V

Switching characteristics (referenced to V<sub>cc</sub> = 5V, V<sub>ss</sub> = 0V at Topr = 25°C unless otherwise specified)

Table 1.28.20. Memory expansion mode and microprocessor mode  
(with wait, accessing external memory)

Symbol	Parameter	Measuring condition	Standard		Unit
			Min.	Max.	
td(BCLK-AD)	Address output delay time	Figure 1.28.1		18	ns
th(BCLK-AD)	Address output hold time (BCLK standard)		- 3		ns
th(RD-AD)	Address output hold time (RD standard)		0		ns
th(WR-AD)	Address output hold time (WR standard)		(Note)		ns
td(BCLK-CS)	Chip select output delay time			18	ns
th(BCLK-CS)	Chip select output hold time (BCLK standard)		- 3		ns
th(RD-CS)	Chip select output hold time (RD standard)		0		ns
th(WR-CS)	Chip select output hold time (WR standard)		(Note)		ns
td(BCLK-ALE)	ALE signal output delay time			18	ns
th(BCLK-ALE)	ALE signal output hold time		- 2		ns
td(BCLK-RD)	RD signal output delay time			10	ns
th(BCLK-RD)	RD signal output hold time		- 5		ns
td(BCLK-WR)	WR signal output delay time			18	ns
th(BCLK-WR)	WR signal output hold time		- 3		ns
td(DB-WR)	Data output delay time (WR standard)		(Note)		ns
th(WR-DB)	Data output hold time (WR standard)		(Note)		ns
tw(WR)	WR signal width		(Note)		ns

Note: Calculated according to the BCLK frequency as follows:

$$td(DB - WR) = \frac{10^9 \times n}{f_{(BCLK)}} - 20 \quad [\text{ns}] \quad (n=1, 2 \text{ and } 3 \text{ when } 1 \text{ wait, } 2 \text{ wait and } 3 \text{ wait, respectively})$$

$$th(WR - DB) = \frac{10^9}{f_{(BCLK)} \times 2} - 10 \quad [\text{ns}]$$

$$th(WR - AD) = \frac{10^9}{f_{(BCLK)} \times 2} - 10 \quad [\text{ns}]$$

$$th(WR - CS) = \frac{10^9}{f_{(BCLK)} \times 2} - 10 \quad [\text{ns}]$$

$$tw(WR) = \frac{10^9 \times n}{f_{(BCLK)} \times 2} - 15 \quad [\text{ns}] \quad (n=1, 3 \text{ and } 5 \text{ when } 1 \text{ wait, } 2 \text{ wait and } 3 \text{ wait, respectively})$$

Timing (V<sub>cc</sub> = 5V)V<sub>CC</sub> = 5V

Switching characteristics (referenced to V<sub>cc</sub> = 5V, V<sub>ss</sub> = 0V at Topr = 25°C unless otherwise specified)

**Table 1.28.21. Memory expansion mode and microprocessor mode  
(with wait, accessing external memory, multiplex bus area selected)**

Symbol	Parameter	Measuring condition	Standard		Unit
			Min.	Max.	
td(BCLK-AD)	Address output delay time	Figure 1.28.1		18	ns
th(BCLK-AD)	Address output hold time (BCLK standard)		-3		ns
th(RD-AD)	Address output hold time (RD standard)		(Note)		ns
th(WR-AD)	Address output hold time (WR standard)		(Note)		ns
td(BCLK-CS)	Chip select output delay time			18	ns
th(BCLK-CS)	Chip select output hold time (BCLK standard)		-3		ns
th(RD-CS)	Chip select output hold time (RD standard)		(Note)		ns
th(WR-CS)	Chip select output hold time (WR standard)		(Note)		ns
td(BCLK-RD)	RD signal output delay time			18	ns
th(BCLK-RD)	RD signal output hold time		-5		ns
td(BCLK-WR)	WR signal output delay time			18	ns
th(BCLK-WR)	WR signal output hold time		-3		ns
td(DB-WR)	Data output delay time (WR standard)		(Note)		ns
th(WR-DB)	Data output hold time (WR standard)		(Note)		ns
td(BCLK-ALE)	ALE signal output delay time (BCLK standard)			18	ns
th(BCLK-ALE)	ALE signal output hold time (BCLK standard)		-2		ns
td(AD-ALE)	ALE signal output delay time (address standard)		(Note)		ns
th(ALE-AD)	ALE signal output hold time (address standard)		(Note)		ns
tdz(RD-AD)	Address output floating start time			8	ns
th(BCLK-DB)	Data output hold time (BCLK standard)		-5		ns

Note: Calculated according to the BCLK frequency as follows:

$$th(RD - AD) = \frac{10^9}{f(BCLK) \times 2} - 10 \quad [ns]$$

$$th(WR - AD) = \frac{10^9}{f(BCLK) \times 2} - 10 \quad [ns]$$

$$th(RD - CS) = \frac{10^9}{f(BCLK) \times 2} - 10 \quad [ns]$$

$$th(WR - CS) = \frac{10^9}{f(BCLK) \times 2} - 10 \quad [ns]$$

$$td(DB - WR) = \frac{10^9 \times m}{f(BCLK) \times 2} - 25 \quad [ns] \quad (m=3 \text{ and } 5 \text{ when } 2 \text{ wait and } 3 \text{ wait, respectively})$$

$$th(WR - DB) = \frac{10^9}{f(BCLK) \times 2} - 10 \quad [ns]$$

$$td(AD - ALE) = \frac{10^9}{f(BCLK) \times 2} - 23 \quad [ns]$$

$$th(ALE - AD) = \frac{10^9}{f(BCLK) \times 2} - 10 \quad [ns]$$

V<sub>CC</sub> = 5V

Switching characteristics (referenced to V<sub>cc</sub> = 5V, V<sub>ss</sub> = 0V at Topr = 25°C unless otherwise specified)

**Table 1.28.22. Memory expansion mode and microprocessor mode  
(with wait, accessing external memory, DRAM area selected)**

Symbol	Parameter	Measuring condition	Standard		Unit
			Min.	Max.	
td(BCLK-RAD)	Row address output delay time	Figure 1.28.1		18	ns
th(BCLK-RAD)	Row address output hold time (BCLK standard)		-3		ns
td(BCLK-CAD)	String address output delay time			18	ns
th(BCLK-CAD)	String address output hold time (BCLK standard)		-3		ns
th(RAS-RAD)	Row address output hold time after RAS output		(Note)		ns
td(BCLK-RAS)	RAS output delay time (BCLK standard)			18	ns
th(BCLK-RAS)	RAS output hold time (BCLK standard)		-3		ns
trp	RAS "H" hold time		(Note)		ns
td(BCLK-CAS)	CAS output delay time (BCLK standard)			18	ns
th(BCLK-CAS)	CAS output hold time (BCLK standard)		-3		ns
td(BCLK-DW)	Data output delay time (BCLK standard)			18	ns
th(BCLK-DW)	Data output hold time (BCLK standard)		-5		ns
tsu(DB-CAS)	CAS after DB output setup time		(Note)		ns
th(BCLK-DB)	DB signal output hold time (BCLK standard)		-7		ns
tsu(CAS-RAS)	CAS before RAS setup time (refresh)		(Note)		ns

Note: Calculated according to the BCLK frequency as follows:

$$th(RAS - RAD) = \frac{10^9}{f_{(BCLK)} \times 2} - 13 \quad [ns]$$

$$trp = \frac{10^9 \times 3}{f_{(BCLK)} \times 2} - 20 \quad [ns]$$

$$tsu(DB - CAS) = \frac{10^9}{f_{(BCLK)}} - 20 \quad [ns]$$

$$tsu(CAS - RAS) = \frac{10^9}{f_{(BCLK)} \times 2} - 13 \quad [ns]$$

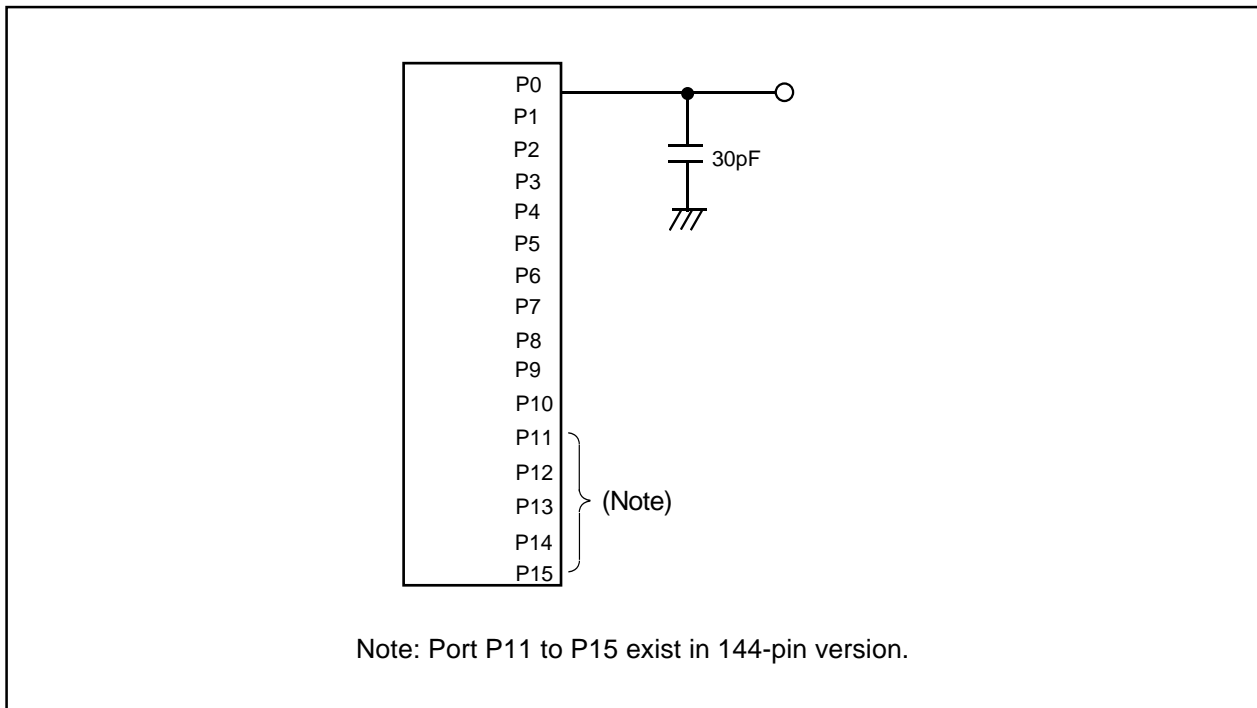
Timing ( $V_{CC} = 5V$ )

Figure 1.28.1. Port P0 to P15 measurement circuit

Timing (Vcc = 5V)

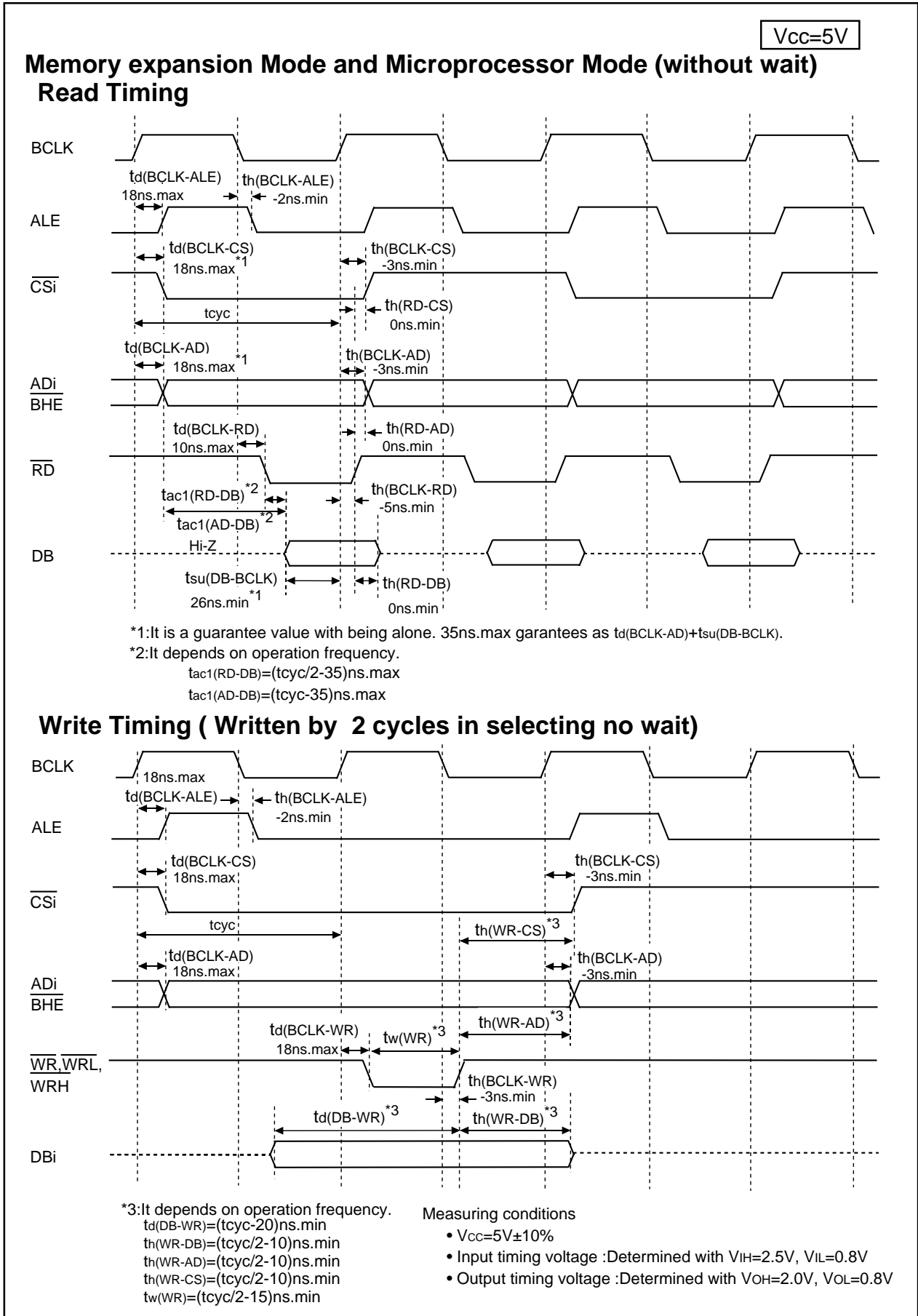


Figure 1.28.2. Vcc=5V timing diagram (1)

Timing (Vcc = 5V)

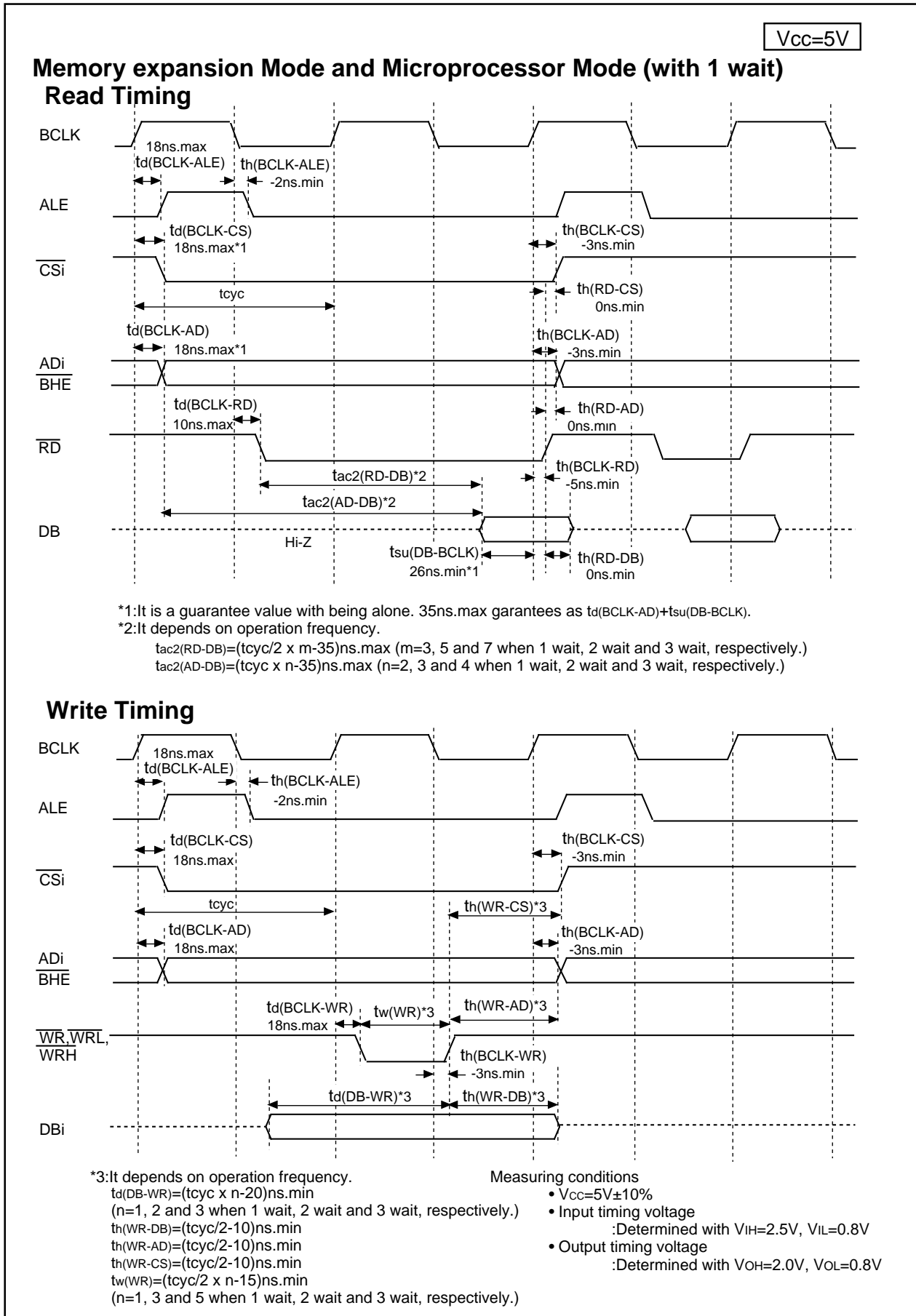


Figure 1.28.3. Vcc=5V timing diagram (2)

Timing (Vcc = 5V)

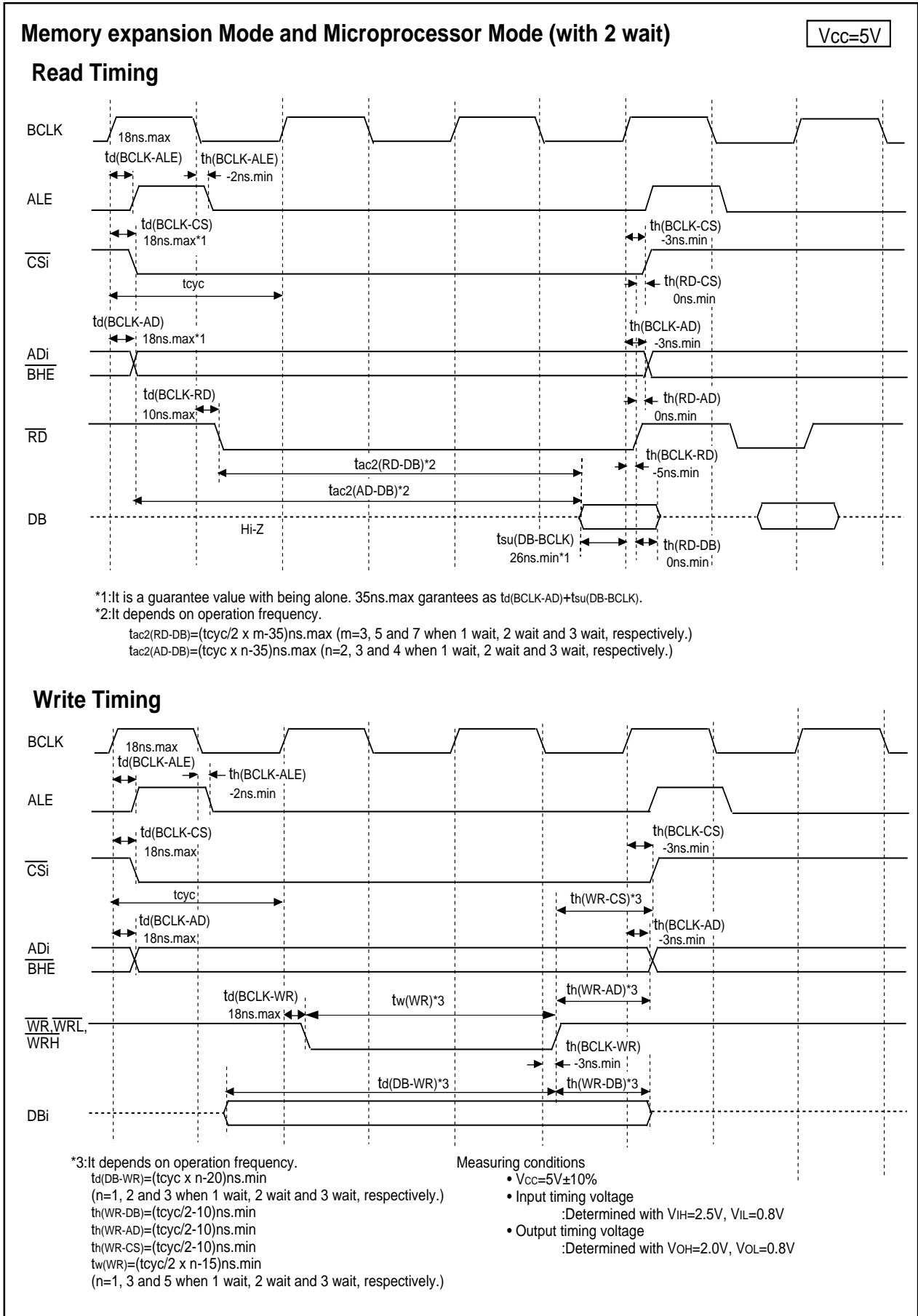


Figure 1.28.4. Vcc=5V timing diagram (3)

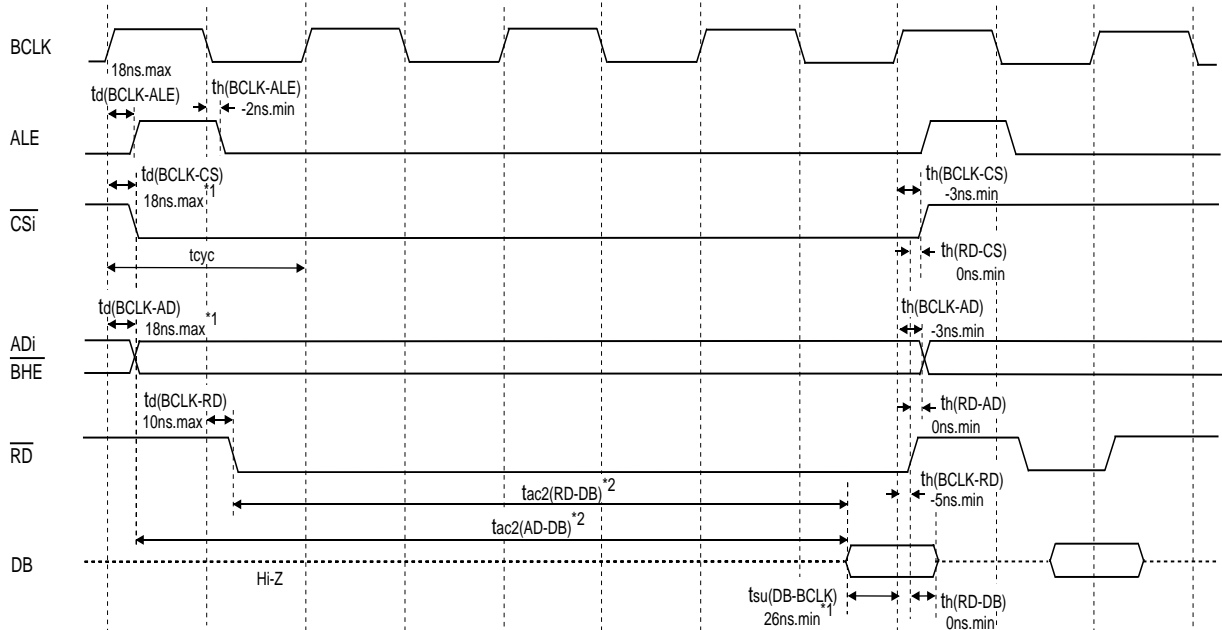


Timing (Vcc = 5V)

Memory expansion Mode and Microprocessor Mode (with 3 wait)

Vcc=5V

Read Timing



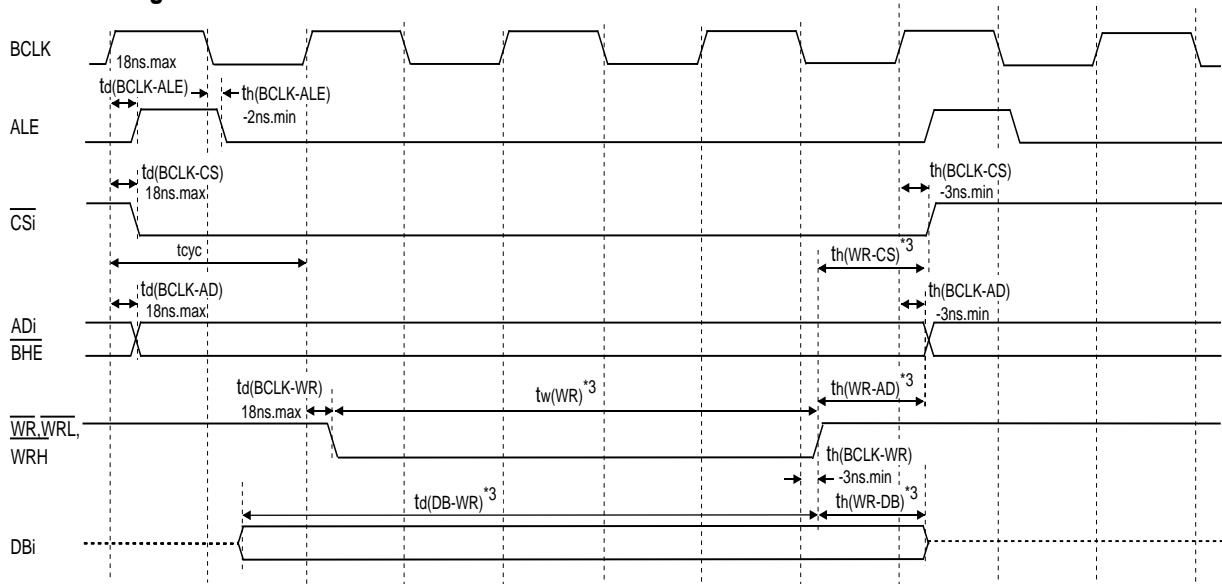
\*1: It is a guarantee value with being alone. 35ns.max guarantees as  $td(BCLK-AD)+tsu(DB-BCLK)$ .

\*2: It depends on operation frequency.

$$tac2(RD-DB)=(tcyc/2 \times m-35)ns.max \quad (m=3, 5 \text{ and } 7 \text{ when } 1 \text{ wait, } 2 \text{ wait and } 3 \text{ wait, respectively.})$$

$$tac2(AD-DB)=(tcyc \times n-35)ns.max \quad (n=2, 3 \text{ and } 4 \text{ when } 1 \text{ wait, } 2 \text{ wait and } 3 \text{ wait, respectively.})$$

Write Timing



\*3: It depends on operation frequency.

$$td(DB-WR)=(tcyc \times n-20)ns.min \quad (n=1, 2 \text{ and } 3 \text{ when } 1 \text{ wait, } 2 \text{ wait and } 3 \text{ wait, respectively.})$$

$$th(WR-DB)=(tcyc/2-10)ns.min$$

$$th(WR-AD)=(tcyc/2-10)ns.min$$

$$th(WR-CS)=(tcyc/2-10)ns.min$$

$$tw(WR)=(tcyc/2 \times n-15)ns.min$$

$$(n=1, 3 \text{ and } 5 \text{ when } 1 \text{ wait, } 2 \text{ wait and } 3 \text{ wait, respectively.})$$

Measuring conditions

- Vcc=5V±10%
- Input timing voltage  
: Determined with  $V_{IH}=2.5V$ ,  $V_{IL}=0.8V$
- Output timing voltage  
: Determined with  $V_{OH}=2.0V$ ,  $V_{OL}=0.8V$

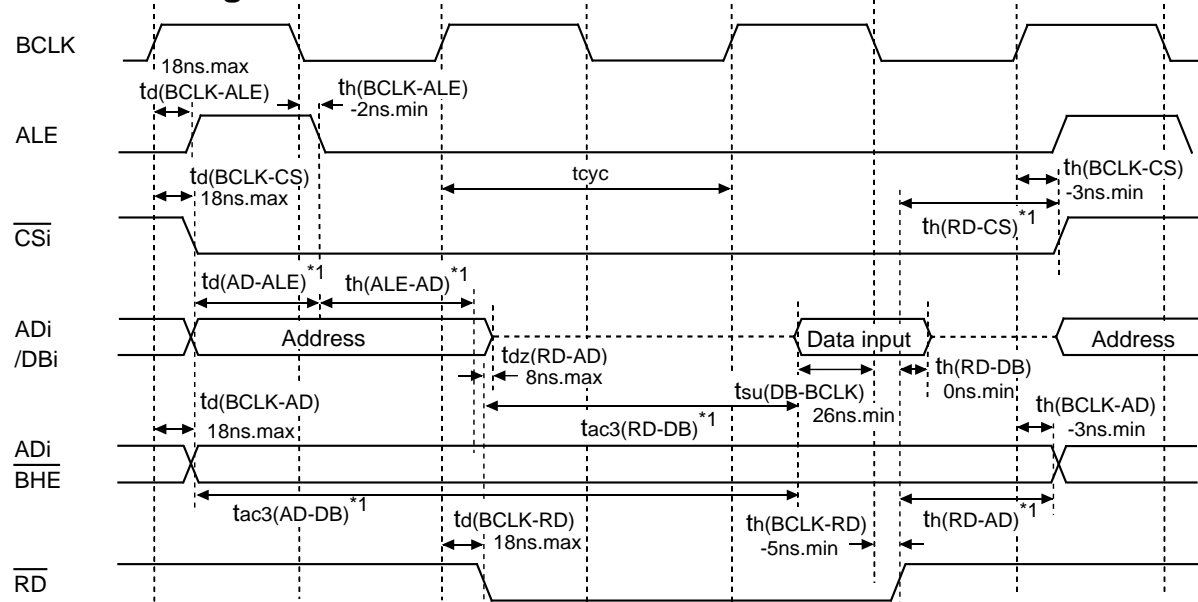
Figure 1.28.5. Vcc=5V timing diagram (4)

## Memory expansion Mode and Microprocessor Mode

Vcc=5V

(When accessing external memory area with 2 wait, and select multiplexed bus)

### Read Timing



\*1: It depends on operation frequency.

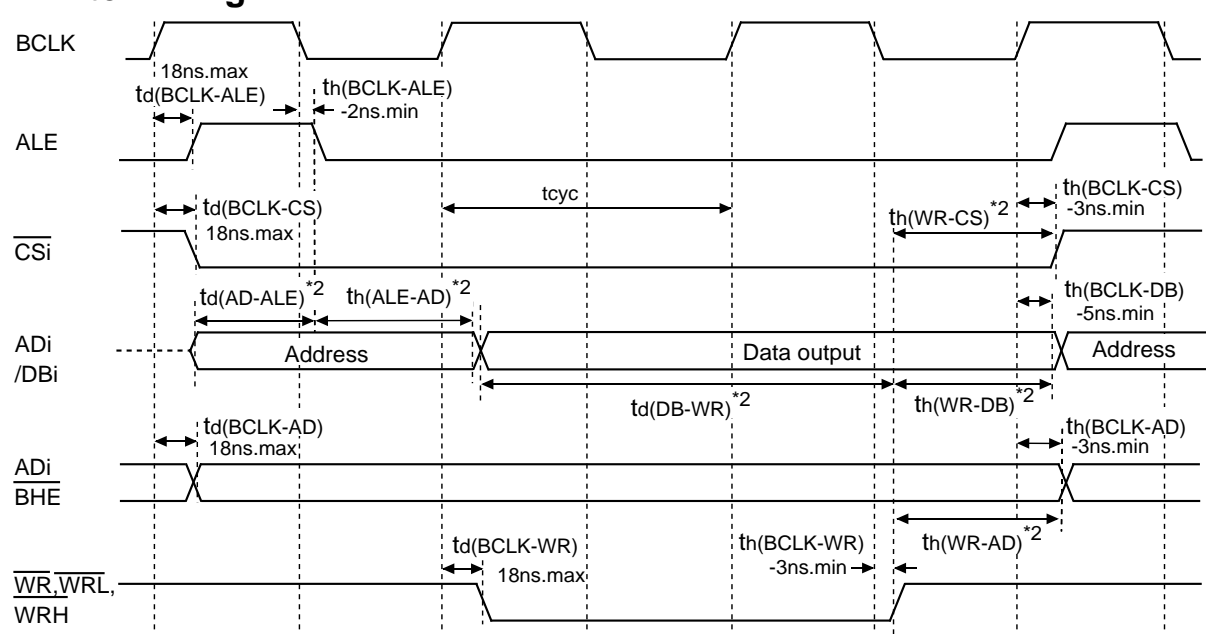
$$td(AD-ALE) = (tcyc/2 - 23) \text{ ns.min}$$

$$th(ALE-AD) = (tcyc/2 - 10) \text{ ns.min}, th(RD-AD) = (tcyc/2 - 10) \text{ ns.min}, th(RD-CS) = (tcyc/2 - 10) \text{ ns.min}$$

$$tac3(RD-DB) = (tcyc/2 \times m - 35) \text{ ns.max} \quad (m=3 \text{ and } 5 \text{ when } 2 \text{ wait and } 3 \text{ wait, respectively.})$$

$$tac3(AD-DB) = (tcyc/2 \times n - 35) \text{ ns.max} \quad (n=5 \text{ and } 7 \text{ when } 2 \text{ wait and } 3 \text{ wait, respectively.})$$

### Write Timing



\*2: It depends on operation frequency.

$$td(AD-ALE) = (tcyc/2 - 23) \text{ ns.min}$$

$$th(ALE-AD) = (tcyc/2 - 10) \text{ ns.min}, th(WR-AD) = (tcyc/2 - 10) \text{ ns.min}$$

$$th(WR-CS) = (tcyc/2 - 10) \text{ ns.min}, th(WR-DB) = (tcyc/2 - 10) \text{ ns.min}$$

$$td(DB-WR) = (tcyc/2 \times m - 25) \text{ ns.min}$$

$$(m=3 \text{ and } 5 \text{ when } 2 \text{ wait and } 3 \text{ wait, respectively.})$$

#### Measuring conditions

- Vcc=5V±10%
- Input timing voltage  
: Determined with VIH=2.5V, VIL=0.8V
- Output timing voltage  
: Determined with VOH=2.0V, VOL=0.8V

Figure 1.28.6. Vcc=5V timing diagram (5)

Timing (Vcc = 5V)

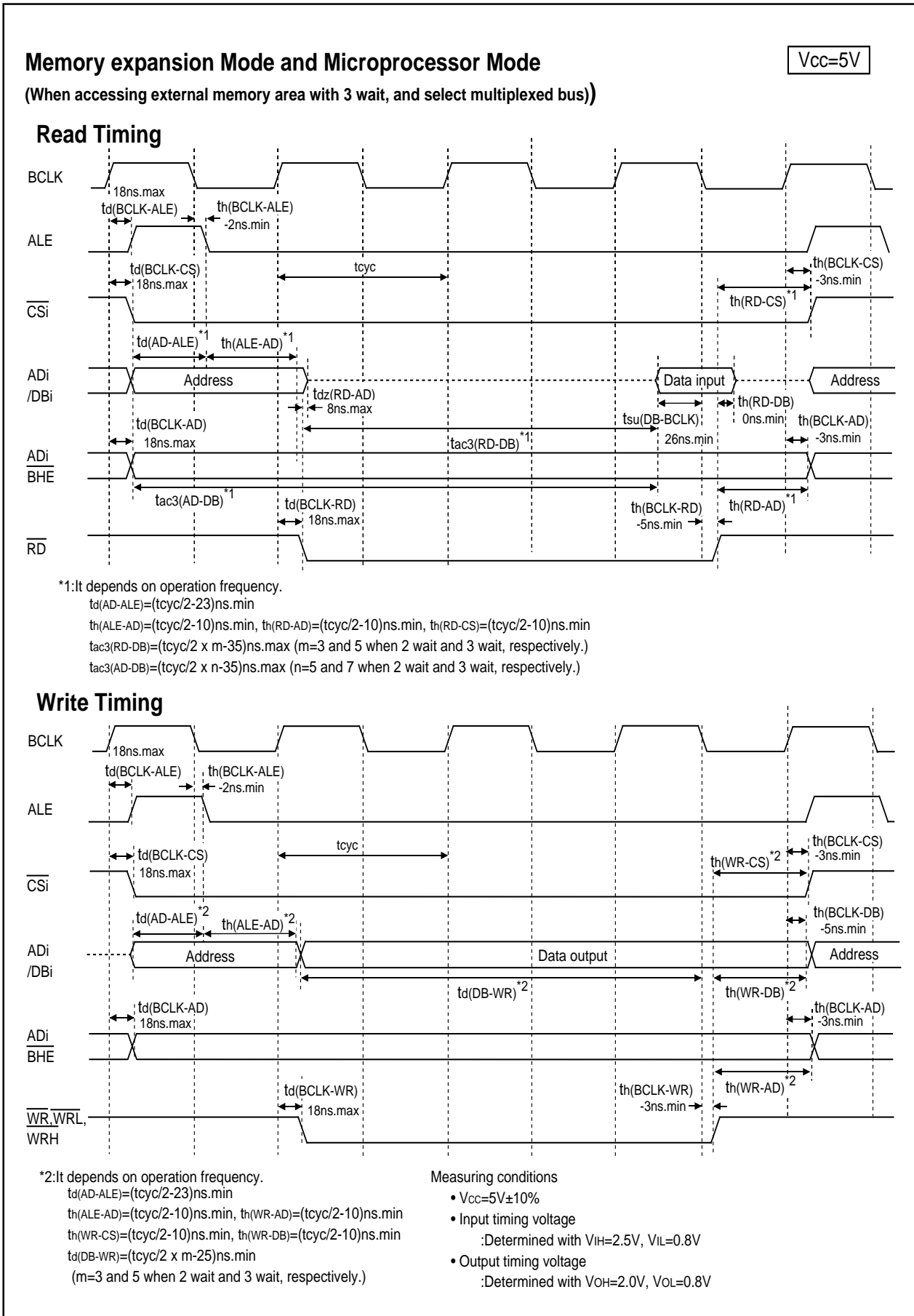


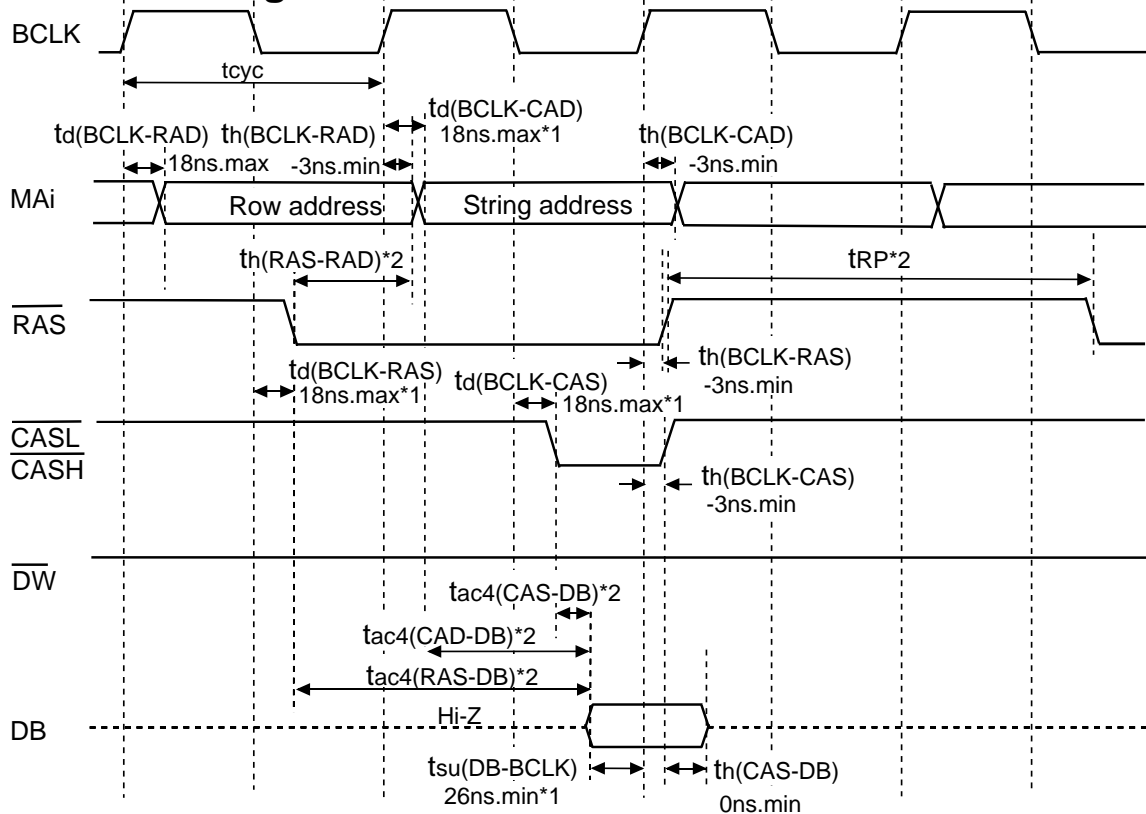
Figure 1.28.7. Vcc=5V timing diagram (6)

$V_{CC}=5V$ 

## Memory expansion Mode and Microprocessor Mode

(When accessing DRAM area with 1 wait)

### Read Timing



\*1: It is a guarantee value with being alone. 35ns.max guarantees as follows:

$$t_d(\text{BCLK-RAS}) + t_{su}(\text{DB-BCLK})$$

$$t_d(\text{BCLK-CAS}) + t_{su}(\text{DB-BCLK})$$

$$t_d(\text{BCLK-CAD}) + t_{su}(\text{DB-BCLK})$$

\*2: It depends on operation frequency.

$$t_{ac4}(\text{RAS-DB}) = (tcyc/2 \times m - 35) \text{ns.max} \quad (m=3 \text{ and } 5 \text{ when } 1 \text{ wait and } 2 \text{ wait, respectively.})$$

$$t_{ac4}(\text{CAS-DB}) = (tcyc/2 \times n - 35) \text{ns.max} \quad (n=1 \text{ and } 3 \text{ when } 1 \text{ wait and } 2 \text{ wait, respectively.})$$

$$t_{ac4}(\text{CAD-DB}) = (tcyc \times l - 35) \text{ns.max} \quad (l=1 \text{ and } 2 \text{ when } 1 \text{ wait and } 2 \text{ wait, respectively.})$$

$$t_h(\text{RAS-RAD}) = (tcyc/2 - 13) \text{ns.min}$$

$$t_{RP} = (tcyc/2 \times 3 - 20) \text{ns.min}$$

#### Measuring conditions

- $V_{CC} = 5V \pm 10\%$
- Input timing voltage  
: Determined with  $V_{IH} = 2.5V$ ,  $V_{IL} = 0.8V$
- Output timing voltage  
: Determined with  $V_{OH} = 2.0V$ ,  $V_{OL} = 0.8V$

Figure 1.28.8.  $V_{CC}=5V$  timing diagram (7)

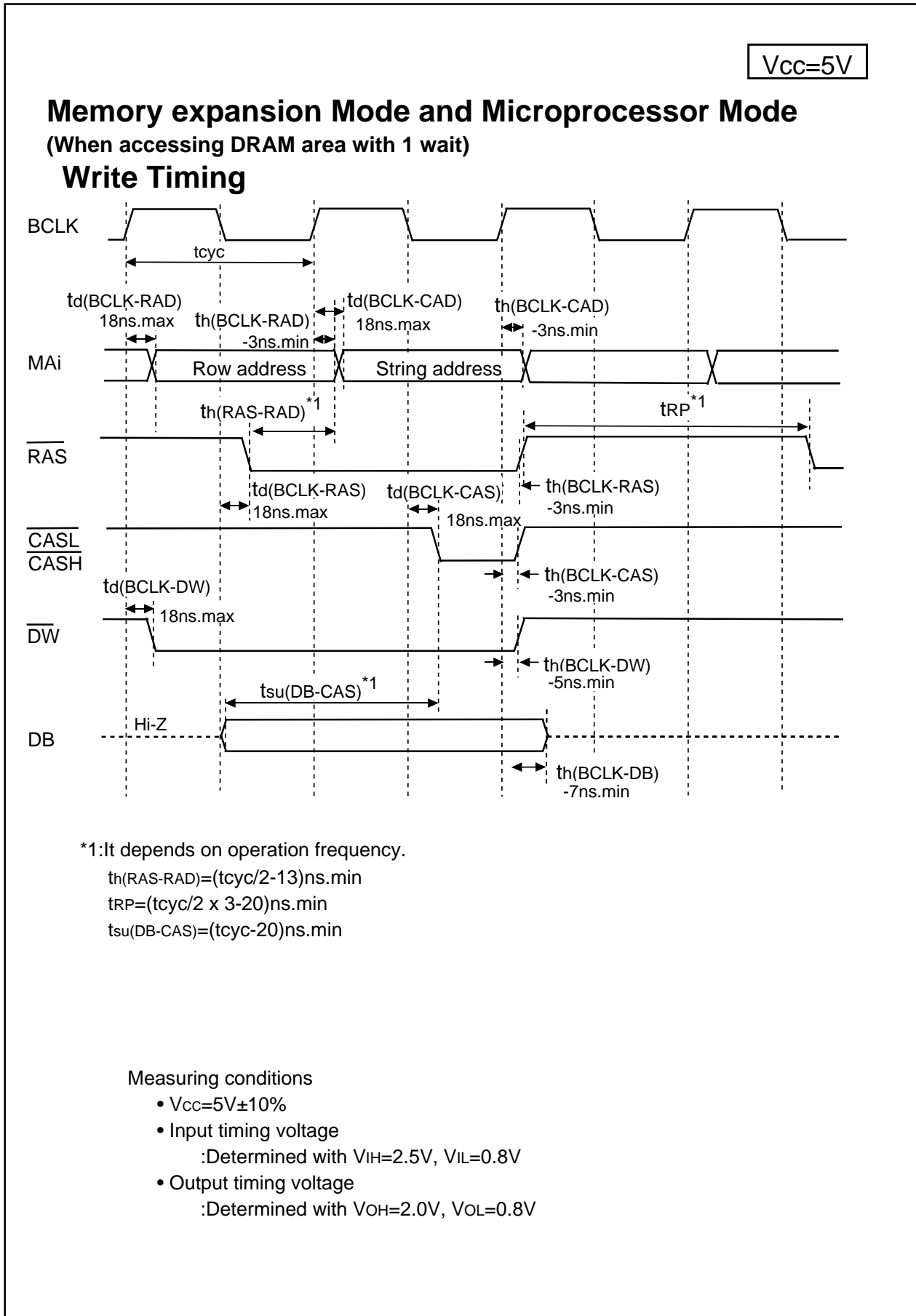
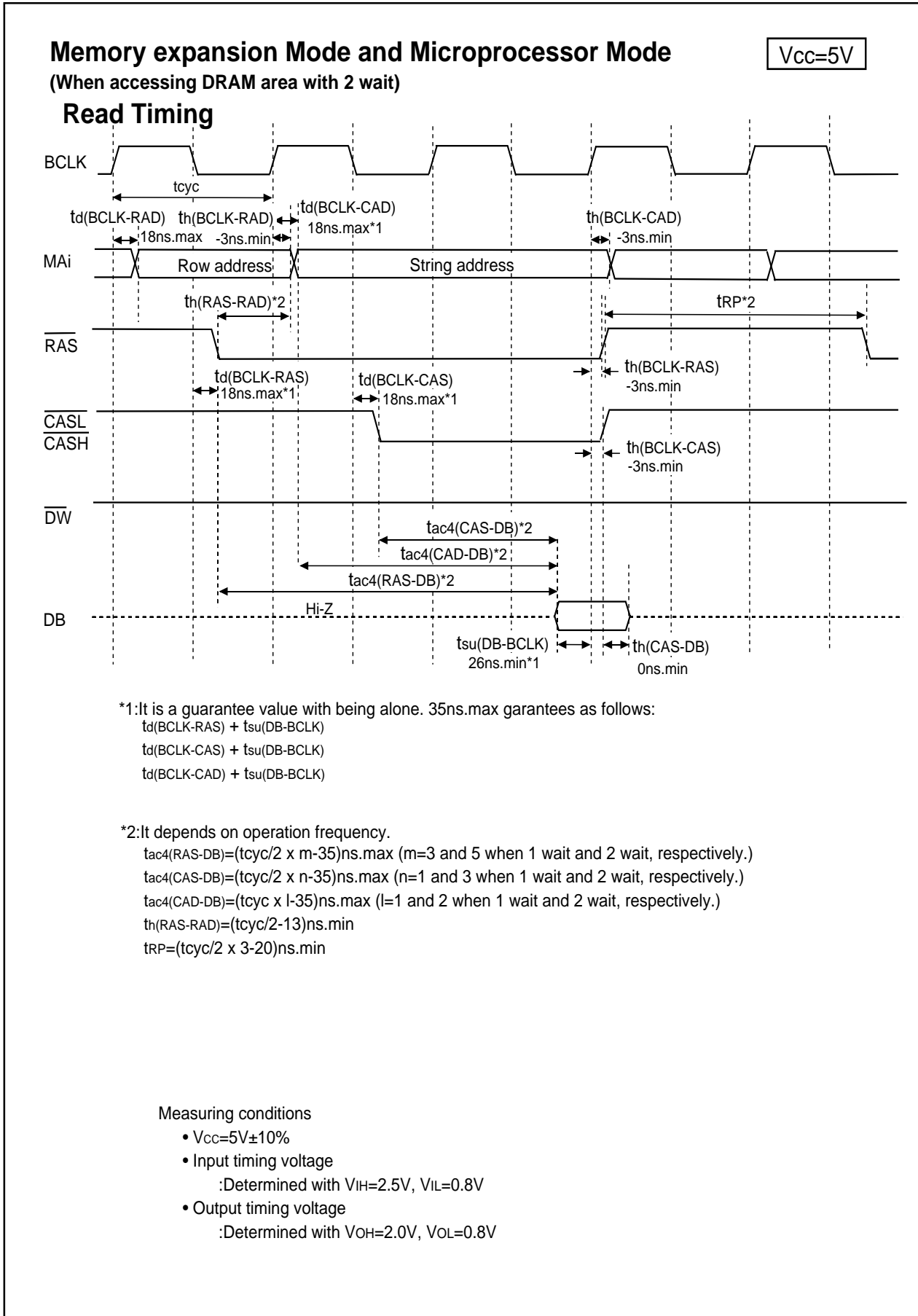


Figure 1.28.9. Vcc=5V timing diagram (8)

Timing ( $V_{CC} = 5V$ )Figure 1.28.10.  $V_{CC}=5V$  timing diagram (9)

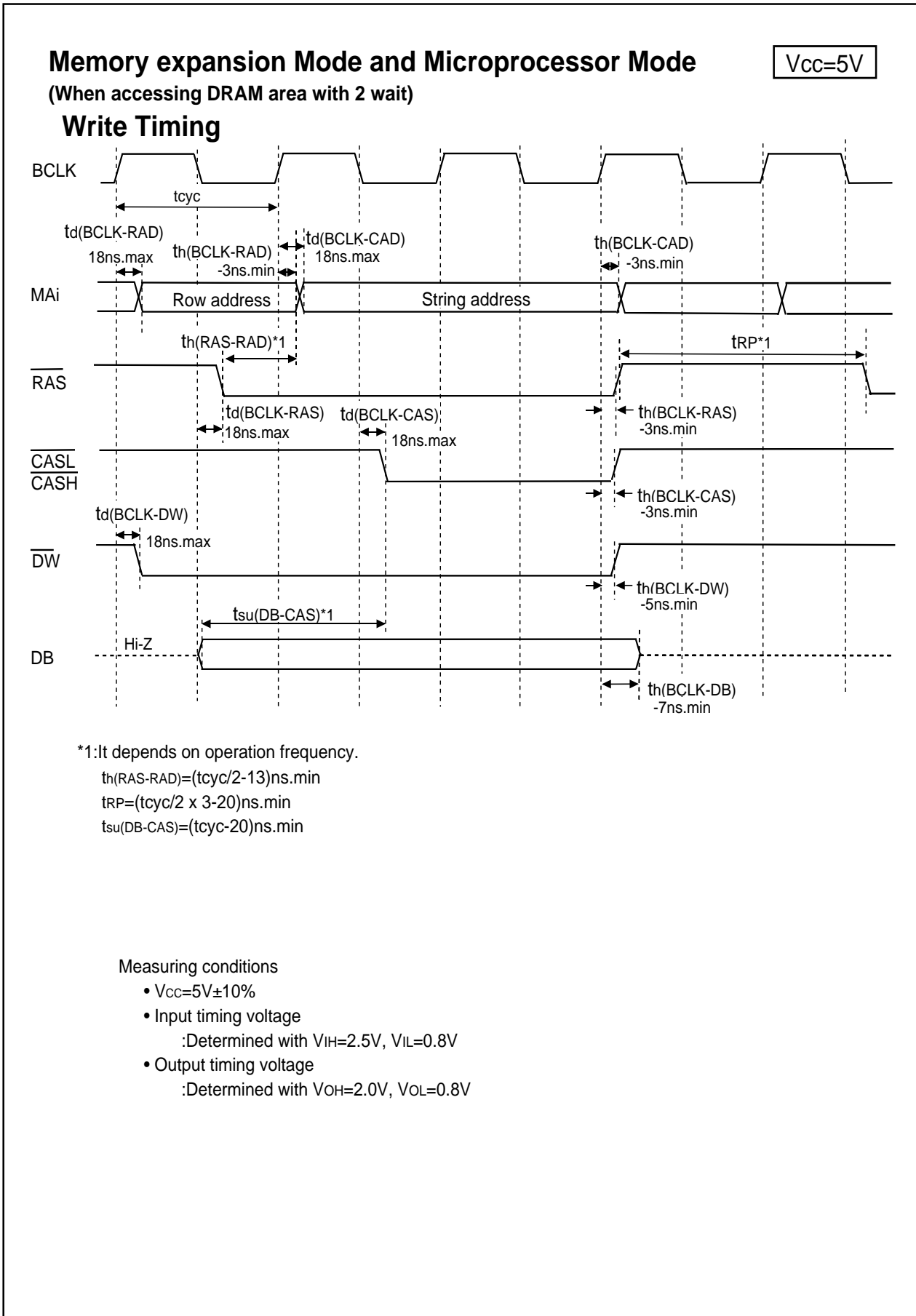
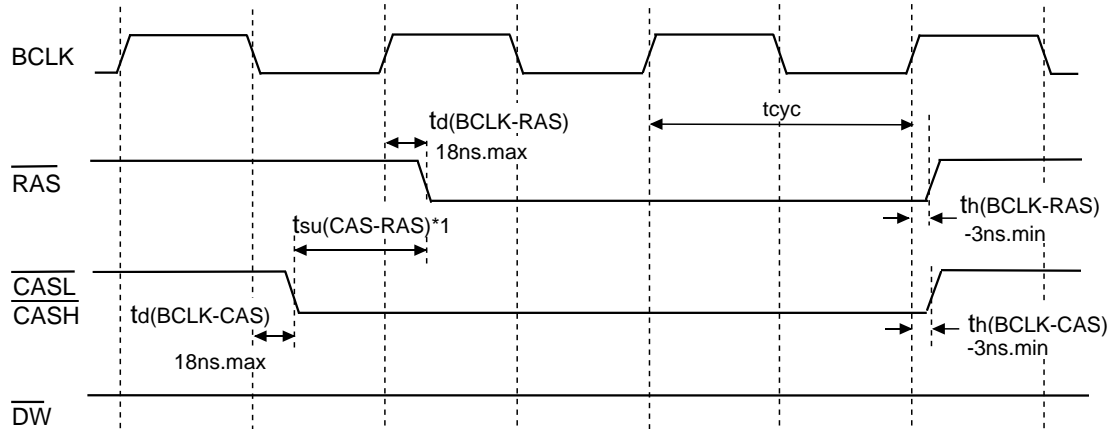


Figure 1.28.11. Vcc=5V timing diagram (10)

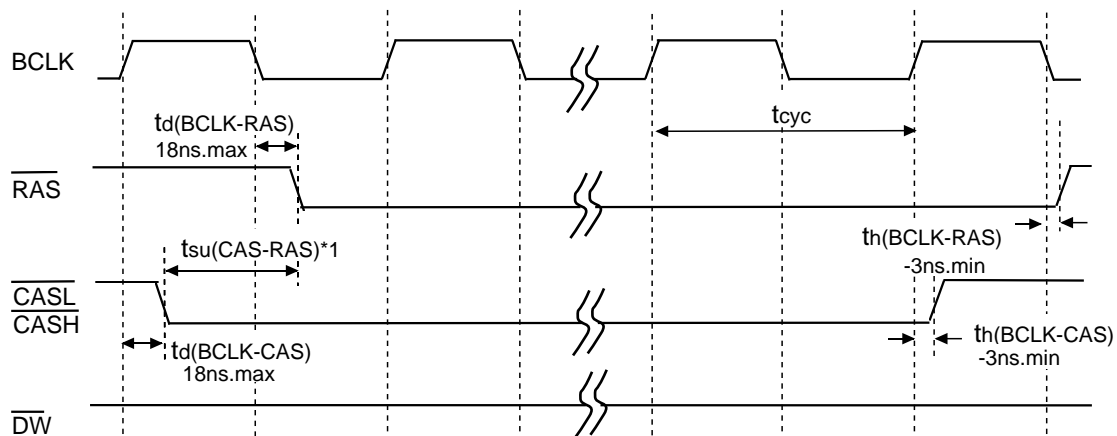
Timing ( $V_{CC} = 5V$ )

### Memory expansion Mode and Microprocessor Mode Refresh Timing (CAS before RAS refresh)

 $V_{CC}=5V$ 

\*1: It depends on operation frequency.  
 $t_{\text{su}}(\text{CAS-RAS}) = (t_{\text{cy}}/2 - 13)\text{ns.min}$

### Refresh Timing (Self-refresh)



\*1: It depends on operation frequency.  
 $t_{\text{su}}(\text{CAS-RAS}) = (t_{\text{cy}}/2 - 13)\text{ns.min}$

#### Measuring conditions

- $V_{CC} = 5V \pm 10\%$
- Input timing voltage  
: Determined with  $V_{IH} = 2.5V$ ,  $V_{IL} = 0.8V$
- Output timing voltage  
: Determined with  $V_{OH} = 2.0V$ ,  $V_{OL} = 0.8V$

Figure 1.28.12.  $V_{CC}=5V$  timing diagram (11)



Timing ( $V_{CC} = 5V$ )

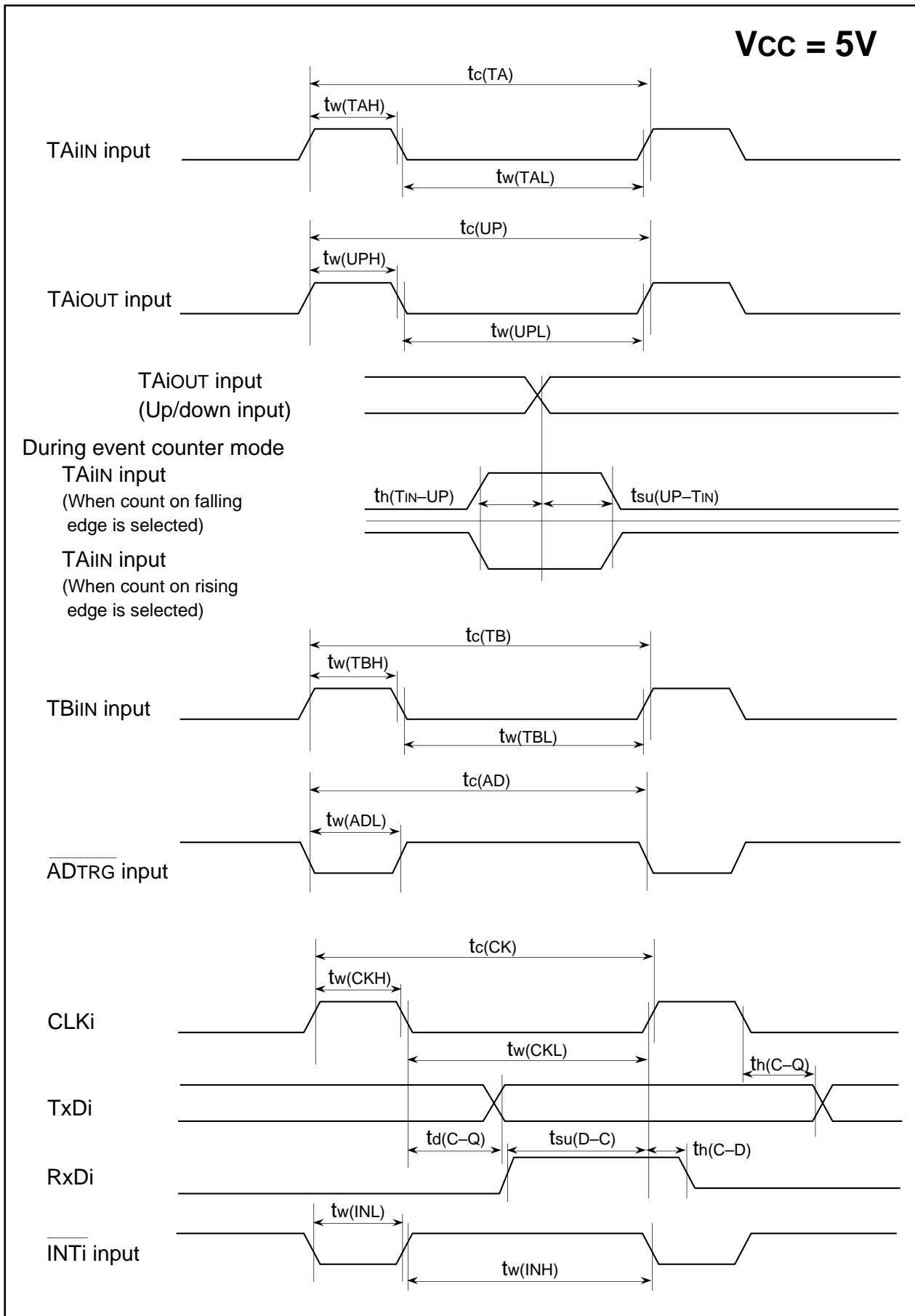
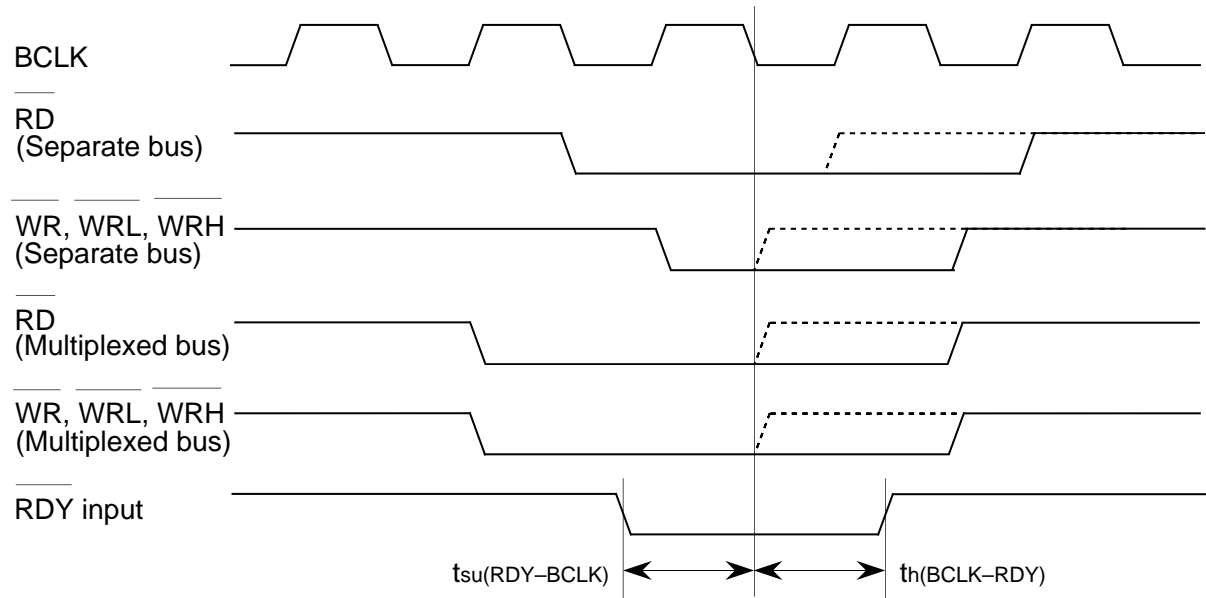
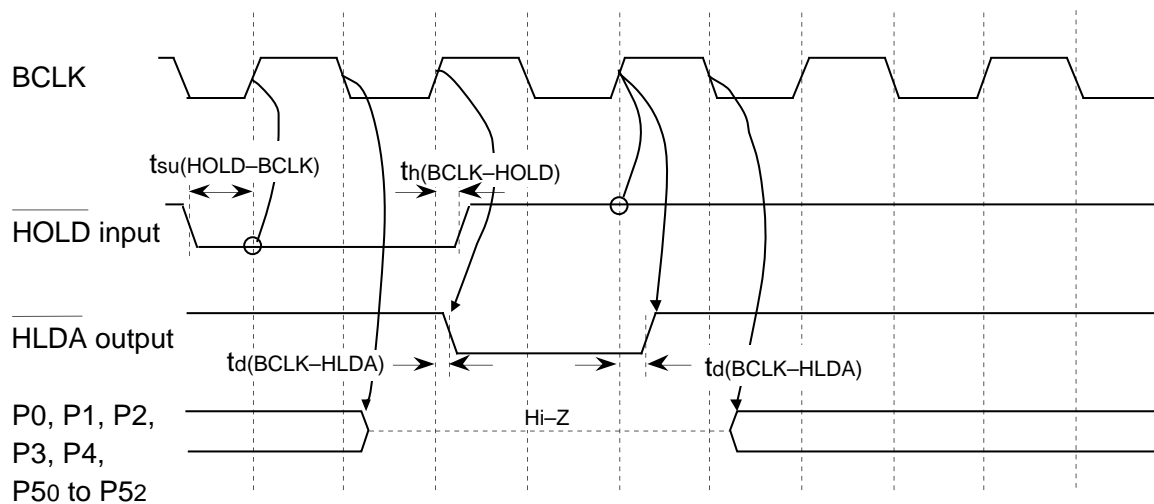


Figure 1.28.13.  $V_{CC}=5V$  timing diagram (12)

### Memory Expansion Mode and Microprocessor Mode (Valid only with wait)

 **$V_{CC} = 5V$** 

(Valid with or without wait)



Measuring conditions :

- $V_{CC}=5V\pm 10\%$
- Input timing voltage : Determined with  $V_{IL}=1.0V$ ,  $V_{IH}=4.0V$
- Output timing voltage : Determined with  $V_{OL}=2.5V$ ,  $V_{OH}=2.5V$

Figure 1.28.14.  $V_{CC}=5V$  timing diagram (13)

Electrical characteristics (V<sub>CC</sub> = 3V)

Electrical characteristics (V<sub>CC</sub> = 3V)

V<sub>CC</sub> = 3V

Table 1.28.23. Electrical characteristics (referenced to V<sub>CC</sub> = 3V, V<sub>SS</sub> = 0V at Topr = 25°C, f(X<sub>IN</sub>) = 10MHz with wait)

Symbol	Parameter		Measuring condition	Standard			Unit
				Min	Typ.	Max.	
V <sub>OH</sub>	HIGH output voltage	P00-P07,P10-P17,P20-P27, P30-P37,P40-P47,P50-P57, P60-P67,P72-P77,P80-P84, P86,P87,P90-P97,P100-P107, P110-P114, P120-P127,P130-P137, P140-P146, P150-P157 (Note 1)	I <sub>OH</sub> = - 1mA	2.5			V
V <sub>OH</sub>	HIGH output voltage	X <sub>OUT</sub>	HIGHPOWER	I <sub>OH</sub> = - 0.1 mA	2.5		V
			LOWPOWER	I <sub>OH</sub> = - 50 μA	2.5		V
	HIGH output voltage	X <sub>COUT</sub>	HIGHPOWER	With no load applied		3.0	V
			LOWPOWER	With no load applied		1.6	V
V <sub>OL</sub>	LOW output voltage	P00-P07,P10-P17,P20-P27, P30-P37,P40-P47,P50-P57, P60-P67,P70-P77,P80-P84, P86,P87,P90-P97,P100-P107, P110-P114, P120-P127,P130-P137, P140-P146, P150-P157 (Note 1)	I <sub>OL</sub> =1mA			0.5	V
V <sub>OL</sub>	LOW output voltage	X <sub>OUT</sub>	HIGHPOWER	I <sub>OL</sub> =0.1mA			0.5
			LOWPOWER	I <sub>OL</sub> =50μA			0.5
	LOW output voltage	X <sub>COUT</sub>	HIGHPOWER	With no load applied		0	V
			LOWPOWER	With no load applied		0	V
V <sub>T+</sub> -V <sub>T-</sub>	Hysteresis	HOLD, RDY, TA0IN-TA4IN, TB0IN-TB2IN, INT0-INT5, ADTRG, CTS0-CTS4,CLK0-CLK4,TA2OUT-TA4OUT, NMI, K0-K3, RxD0-RxD4, SCL2-SCL4, SDA2-SDA4		0.2		1.0	V
V <sub>T+</sub> -V <sub>T-</sub>	Hysteresis	RESET		0.2		1.8	V
I <sub>IH</sub>	HIGH input current	P00-P07,P10-P17,P20-P27, P30-P37,P40-P47,P50-P57, P60-P67,P70-P77,P80-P87, P90-P97,P100-P107, P110-P114, P120-P127,P130-P137, P140-P146, P150-P157 (Note 1) X <sub>IN</sub> , RESET, CNV <sub>SS</sub> , BYTE	V <sub>I</sub> =3V			4.0	μA
I <sub>IL</sub>	LOW input current	P00-P07,P10-P17,P20-P27, P30-P37,P40-P47,P50-P57, P60-P67,P70-P77,P80-P87, P90-P97,P100-P107, P110-P114, P120-P127,P130-P137, P140-P146, P150-P157 (Note 1) X <sub>IN</sub> , RESET, CNV <sub>SS</sub> , BYTE	V <sub>I</sub> =0V			- 4.0	μA
R <sub>PULLUP</sub>	Pull-up resistance	P00-P07,P10-P17,P20-P27, P30-P37,P40-P47,P50-P57, P60-P67,P72-P77,P80-P84, P86,P87,P90-P97,P100-P107, P110-P114, P120-P127,P130-P137, P140-P146, P150-P157 (Note 1)	V <sub>I</sub> =0V	66.0	120.0	500.0	kΩ
R <sub>IXIN</sub>	Feedback resistance	X <sub>IN</sub>			3.0		MΩ
R <sub>IXCIN</sub>	Feedback resistance	X <sub>CIN</sub>			10.0		MΩ
V <sub>RAM</sub>	RAM retention voltage		When clock is stopped	2.0			V
I <sub>CC</sub>	Power supply current	In single-chip mode, the output pins are open and other pins are V <sub>SS</sub>	f(X <sub>IN</sub> )=10MHz Square wave, no division	Mask ROM 128 KB version ROMless RAM 10 KB version (Note 2)	12.0	20.0	mA
				Mask ROM 256 KB version ROMless RAM 24 KB version (Note 2)	14.0	23.0	
				Flash memory version	14.0	23.0	
			f(X <sub>CIN</sub> )=32kHz Square wave	Mask ROM 128 KB version ROMless RAM 10 KB version (Note 2)	45.0		μA
				Mask ROM 256 KB version ROMless RAM 24 KB version (Note 2)	60.0		
				Flash memory version	3.5		
			f(X <sub>CIN</sub> )=32kHz When a WAIT instruction is executed. Oscillation drive capacity is High.		3.0		μA
				f(X <sub>CIN</sub> )=32kHz When a WAIT instruction is executed. Oscillation drive capacity is Low.	1.5		
			Topr=25°C, when clock is stopped	Mask ROM 128 KB version ROMless RAM 10 KB version (Note 2)		1.0	μA
				Mask ROM 256 KB version ROMless RAM 24 KB version (Note 2)		1.0	
Flash memory version		1.0					
Topr=85°C, when clock is stopped					20.0		

Note 1: Ports P11 to P15 exist in 144-pin version.

Note 2: ROMless version exists in 144-pin version.

$V_{CC} = 3V$ **Table 1.28.24. A-D conversion characteristics (referenced to  $V_{CC} = AV_{CC} = V_{REF} = 3V$ ,  $V_{SS} = AV_{SS} = 0V$  at  $T_{opr} = 25^{\circ}C$ ,  $f(X_{IN}) = 10MHz$  unless otherwise specified)**

Symbol	Parameter		Measuring condition	Standard			Unit
				Min.	Typ.	Max	
-	Resolution		$V_{REF} = V_{CC}$			10	Bits
-	Absolute accuracy	Sample & hold function not available (8 bit)	$V_{REF} = V_{CC} = 3V$ , $\phi_{AD} = f_{AD}/2$			$\pm 2$	LSB
RLADDER	Ladder resistance		$V_{REF} = V_{CC}$	10		40	k $\Omega$
tCONV	Conversion time(8bit)			9.8			$\mu s$
VREF	Reference voltage			2.7		$V_{CC}$	V
VIA	Analog input voltage			0		$V_{REF}$	V

**Table 1.28.25. D-A conversion characteristics (referenced to  $V_{CC} = 3V$ ,  $V_{SS} = AV_{SS} = 0V$ ,  $V_{REF} = 3V$  at  $T_{opr} = 25^{\circ}C$ ,  $f(X_{IN}) = 10MHz$  unless otherwise specified)**

Symbol	Parameter		Measuring condition	Standard			Unit
				Min.	Typ.	Max	
-	Resolution					8	Bits
-	Absolute accuracy					1.0	%
t <sub>su</sub>	Setup time					3	$\mu s$
R <sub>o</sub>	Output resistance			4	10	20	k $\Omega$
I <sub>VREF</sub>	Reference power supply input current		(Note)			1.0	mA

Note :This applies when using one D-A converter, with the D-A register for the unused D-A converter set to "0016". The A-D converter's ladder resistance is not included.

Also, when the contents of D-A register is except "0016" and the Vref is unconnected at the A-D control register 1, I<sub>VREF</sub> is sent.

Timing (V<sub>CC</sub> = 3V)V<sub>CC</sub> = 3VTiming requirements (referenced to V<sub>CC</sub> = 3V, V<sub>SS</sub> = 0V at Topr = 25°C unless otherwise specified)

Table 1.28.26. External clock input

Symbol	Parameter	Standard		Unit
		Min.	Max.	
t <sub>c</sub>	External clock input cycle time	100		ns
t <sub>w(H)</sub>	External clock input HIGH pulse width	40		ns
t <sub>w(L)</sub>	External clock input LOW pulse width	40		ns
t <sub>r</sub>	External clock rise time		18	ns
t <sub>f</sub>	External clock fall time		18	ns

Table 1.28.27. Memory expansion and microprocessor modes

Symbol	Parameter	Standard		Unit
		Min.	Max.	
t <sub>ac1</sub> (RD-DB)	Data input access time (RD standard, no wait)		(Note)	ns
t <sub>ac1</sub> (AD-DB)	Data input access time (AD standard, CS standard, no wait)		(Note)	ns
t <sub>ac2</sub> (RD-DB)	Data input access time (RD standard, with wait)		(Note)	ns
t <sub>ac2</sub> (AD-DB)	Data input access time (AD standard, CS standard, with wait)		(Note)	ns
t <sub>ac3</sub> (RD-DB)	Data input access time (RD standard, when accessing multiplex bus area)		(Note)	ns
t <sub>ac3</sub> (AD-DB)	Data input access time (AD standard, CS standard, when accessing multiplex bus area)		(Note)	ns
t <sub>ac4</sub> (RAS-DB)	Data input access time (RAS standard, DRAM access)		(Note)	ns
t <sub>ac4</sub> (CAS-DB)	Data input access time (CAS standard, DRAM access)		(Note)	ns
t <sub>ac4</sub> (CAD-DB)	Data input access time (CAD standard, DRAM access)		(Note)	ns
t <sub>su</sub> (DB-BCLK)	Data input setup time	40		ns
t <sub>su</sub> (RDY-BCLK)	RDY input setup time	60		ns
t <sub>su</sub> (HOLD-BCLK)	HOLD input setup time	80		ns
t <sub>h</sub> (RD-DB)	Data input hold time	0		ns
t <sub>h</sub> (CAS-DB)	Data input hold time	0		ns
t <sub>h</sub> (BCLK-RDY)	RDY input hold time	0		ns
t <sub>h</sub> (BCLK-HOLD)	HOLD input hold time	0		ns
t <sub>d</sub> (BCLK-HLDA)	HLDA output delay time		100	ns

Note: Calculated according to the BCLK frequency as follows:

Note that inserting wait or using lower operation frequency f(BCLK) is needed when calculated value is negative.

$$t_{ac1}(\text{RD} - \text{DB}) = \frac{10^9}{f(\text{BCLK}) \times 2} - 42 \quad [\text{ns}]$$

$$t_{ac1}(\text{AD} - \text{DB}) = \frac{10^9}{f(\text{BCLK})} - 55 \quad [\text{ns}]$$

$$t_{ac2}(\text{RD} - \text{DB}) = \frac{10^9 \times m}{f(\text{BCLK}) \times 2} - 42 \quad [\text{ns}] \quad (m=3, 5 \text{ and } 7 \text{ when } 1 \text{ wait, } 2 \text{ wait and } 3 \text{ wait, respectively})$$

$$t_{ac2}(\text{AD} - \text{DB}) = \frac{10^9 \times n}{f(\text{BCLK})} - 55 \quad [\text{ns}] \quad (n=2, 3 \text{ and } 4 \text{ when } 1 \text{ wait, } 2 \text{ wait and } 3 \text{ wait, respectively})$$

$$t_{ac3}(\text{RD} - \text{DB}) = \frac{10^9 \times m}{f(\text{BCLK}) \times 2} - 55 \quad [\text{ns}] \quad (m=3 \text{ and } 5 \text{ when } 2 \text{ wait and } 3 \text{ wait, respectively})$$

$$t_{ac3}(\text{AD} - \text{DB}) = \frac{10^9 \times n}{f(\text{BCLK}) \times 2} - 55 \quad [\text{ns}] \quad (n=5 \text{ and } 7 \text{ when } 2 \text{ wait and } 3 \text{ wait, respectively})$$

$$t_{ac4}(\text{RAS} - \text{DB}) = \frac{10^9 \times m}{f(\text{BCLK}) \times 2} - 55 \quad [\text{ns}] \quad (m=3 \text{ and } 5 \text{ when } 1 \text{ wait and } 2 \text{ wait, respectively})$$

$$t_{ac4}(\text{CAS} - \text{DB}) = \frac{10^9 \times n}{f(\text{BCLK}) \times 2} - 55 \quad [\text{ns}] \quad (n=1 \text{ and } 3 \text{ when } 1 \text{ wait and } 2 \text{ wait, respectively})$$

$$t_{ac4}(\text{CAD} - \text{DB}) = \frac{10^9 \times l}{f(\text{BCLK})} - 55 \quad [\text{ns}] \quad (l=1 \text{ and } 2 \text{ when } 1 \text{ wait and } 2 \text{ wait, respectively})$$

Timing ( $V_{CC} = 3V$ ) $V_{CC} = 3V$ Timing requirements (referenced to  $V_{CC} = 3V$ ,  $V_{SS} = 0V$  at  $T_{opr} = 25^{\circ}C$  unless otherwise specified)**Table 1.28.28. Timer A input (counter input in event counter mode)**

Symbol	Parameter	Standard		Unit
		Min.	Max.	
$t_{c(TA)}$	TAiIN input cycle time	150		ns
$t_{w(TAH)}$	TAiIN input HIGH pulse width	60		ns
$t_{w(TAL)}$	TAiIN input LOW pulse width	60		ns

**Table 1.28.29. Timer A input (gating input in timer mode)**

Symbol	Parameter	Standard		Unit
		Min.	Max.	
$t_{c(TA)}$	TAiIN input cycle time	600		ns
$t_{w(TAH)}$	TAiIN input HIGH pulse width	300		ns
$t_{w(TAL)}$	TAiIN input LOW pulse width	300		ns

**Table 1.28.30. Timer A input (external trigger input in one-shot timer mode)**

Symbol	Parameter	Standard		Unit
		Min.	Max.	
$t_{c(TA)}$	TAiIN input cycle time	300		ns
$t_{w(TAH)}$	TAiIN input HIGH pulse width	150		ns
$t_{w(TAL)}$	TAiIN input LOW pulse width	150		ns

**Table 1.28.31. Timer A input (external trigger input in pulse width modulation mode)**

Symbol	Parameter	Standard		Unit
		Min.	Max.	
$t_{w(TAH)}$	TAiIN input HIGH pulse width	150		ns
$t_{w(TAL)}$	TAiIN input LOW pulse width	150		ns

**Table 1.28.32. Timer A input (up/down input in event counter mode)**

Symbol	Parameter	Standard		Unit
		Min.	Max.	
$t_{c(UP)}$	TAiOUT input cycle time	3000		ns
$t_{w(UPH)}$	TAiOUT input HIGH pulse width	1500		ns
$t_{w(UPL)}$	TAiOUT input LOW pulse width	1500		ns
$t_{su(UP-TIN)}$	TAiOUT input setup time	600		ns
$t_{h(TIN-UP)}$	TAiOUT input hold time	600		ns

Timing ( $V_{CC} = 3V$ ) $V_{CC} = 3V$ Timing requirements (referenced to  $V_{CC} = 3V$ ,  $V_{SS} = 0V$  at  $T_{opr} = 25^{\circ}C$  unless otherwise specified)

Table 1.28.33. Timer B input (counter input in event counter mode)

Symbol	Parameter	Standard		Unit
		Min.	Max.	
$t_{c(TB)}$	TBiIN input cycle time (counted on one edge)	150		ns
$t_{w(TBH)}$	TBiIN input HIGH pulse width (counted on one edge)	60		ns
$t_{w(TBL)}$	TBiIN input LOW pulse width (counted on one edge)	60		ns
$t_{c(TB)}$	TBiIN input cycle time (counted on both edges)	300		ns
$t_{w(TBH)}$	TBiIN input HIGH pulse width (counted on both edges)	160		ns
$t_{w(TBL)}$	TBiIN input LOW pulse width (counted on both edges)	160		ns

Table 1.28.34. Timer B input (pulse period measurement mode)

Symbol	Parameter	Standard		Unit
		Min.	Max.	
$t_{c(TB)}$	TBiIN input cycle time	600		ns
$t_{w(TBH)}$	TBiIN input HIGH pulse width	300		ns
$t_{w(TBL)}$	TBiIN input LOW pulse width	300		ns

Table 1.28.35. Timer B input (pulse width measurement mode)

Symbol	Parameter	Standard		Unit
		Min.	Max.	
$t_{c(TB)}$	TBiIN input cycle time	600		ns
$t_{w(TBH)}$	TBiIN input HIGH pulse width	300		ns
$t_{w(TBL)}$	TBiIN input LOW pulse width	300		ns

Table 1.28.36. A-D trigger input

Symbol	Parameter	Standard		Unit
		Min.	Max.	
$t_{c(AD)}$	$\overline{ADTRG}$ input cycle time (trigger able minimum)	1500		ns
$t_{w(ADL)}$	$\overline{ADTRG}$ input LOW pulse width	200		ns

Table 1.28.37. Serial I/O

Symbol	Parameter	Standard		Unit
		Min.	Max.	
$t_{c(CK)}$	CLKi input cycle time	300		ns
$t_{w(CKH)}$	CLKi input HIGH pulse width	150		ns
$t_{w(CKL)}$	CLKi input LOW pulse width	150		ns
$t_{d(C-Q)}$	TxDi output delay time		160	ns
$t_{h(C-Q)}$	TxDi hold time	0		ns
$t_{su(D-C)}$	RxDi input setup time	50		ns
$t_{h(C-D)}$	RxDi input hold time	90		ns

Table 1.28.38. External interrupt  $\overline{INTi}$  inputs

Symbol	Parameter	Standard		Unit
		Min.	Max.	
$t_{w(INH)}$	$\overline{INTi}$ input HIGH pulse width	380		ns
$t_{w(INL)}$	$\overline{INTi}$ input LOW pulse width	380		ns

Timing ( $V_{CC} = 3V$ ) $V_{CC} = 3V$ 

Switching characteristics (referenced to  $V_{CC} = 3V$ ,  $V_{SS} = 0V$  at  $T_{opr} = 25^{\circ}C$  unless otherwise specified)

Table 1.28.39. Memory expansion and microprocessor modes (with no wait)

Symbol	Parameter	Measuring condition	Standard		Unit
			Min.	Max.	
$t_d(BCLK-AD)$	Address output delay time	Figure 1.28.1		25	ns
$t_h(BCLK-AD)$	Address output hold time (BCLK standard)		0		ns
$t_h(RD-AD)$	Address output hold time (RD standard)		0		ns
$t_h(WR-AD)$	Address output hold time (WR standard)		(Note)		ns
$t_d(BCLK-CS)$	Chip select output delay time			25	ns
$t_h(BCLK-CS)$	Chip select output hold time (BCLK standard)		0		ns
$t_h(RD-CS)$	Chip select output hold time (RD standard)		0		ns
$t_h(WR-CS)$	Chip select output hold time (WR standard)		(Note)		ns
$t_d(BCLK-ALE)$	ALE signal output delay time			25	ns
$t_h(BCLK-ALE)$	ALE signal output hold time		- 2		ns
$t_d(BCLK-RD)$	RD signal output delay time			10	ns
$t_h(BCLK-RD)$	RD signal output hold time		- 3		ns
$t_d(BCLK-WR)$	WR signal output delay time			25	ns
$t_h(BCLK-WR)$	WR signal output hold time		0		ns
$t_d(DB-WR)$	Data output delay time (WR standard)		(Note)		ns
$t_h(WR-DB)$	Data output hold time (WR standard)		(Note)		ns
$t_w(WR)$	WR signal width		(Note)		ns

Note: Calculated according to the BCLK frequency as follows:

$$t_d(DB-WR) = \frac{10^9}{f(BCLK)} - 40 \quad [ns]$$

$$t_h(WR-DB) = \frac{10^9}{f(BCLK) \times 2} - 20 \quad [ns]$$

$$t_h(WR-AD) = \frac{10^9}{f(BCLK) \times 2} - 20 \quad [ns]$$

$$t_h(WR-CS) = \frac{10^9}{f(BCLK) \times 2} - 20 \quad [ns]$$

$$t_w(WR) = \frac{10^9}{f(BCLK) \times 2} - 20 \quad [ns]$$



Timing ( $V_{CC} = 3V$ ) $V_{CC} = 3V$ 

Switching characteristics (referenced to  $V_{CC} = 3V$ ,  $V_{SS} = 0V$  at  $T_{opr} = 25^{\circ}C$  unless otherwise specified)

**Table 1.28.40. Memory expansion and microprocessor modes  
(with wait, accessing external memory)**

Symbol	Parameter	Measuring condition	Standard		Unit
			Min.	Max.	
$t_d(\text{BCLK-AD})$	Address output delay time	Figure 1.28.1		25	ns
$t_h(\text{BCLK-AD})$	Address output hold time (BCLK standard)		0		ns
$t_h(\text{RD-AD})$	Address output hold time (RD standard)		0		ns
$t_h(\text{WR-AD})$	Address output hold time (WR standard)		(Note)		ns
$t_d(\text{BCLK-CS})$	Chip select output delay time			25	ns
$t_h(\text{BCLK-CS})$	Chip select output hold time (BCLK standard)		0		ns
$t_h(\text{RD-CS})$	Chip select output hold time (RD standard)		0		ns
$t_h(\text{WR-CS})$	Chip select output hold time (WR standard)		(Note)		ns
$t_d(\text{BCLK-ALE})$	ALE signal output delay time			25	ns
$t_h(\text{BCLK-ALE})$	ALE signal output hold time		-2		ns
$t_d(\text{BCLK-RD})$	RD signal output delay time			10	ns
$t_h(\text{BCLK-RD})$	RD signal output hold time		-3		ns
$t_d(\text{BCLK-WR})$	WR signal output delay time			25	ns
$t_h(\text{BCLK-WR})$	WR signal output hold time		0		ns
$t_d(\text{DB-WR})$	Data output delay time (WR standard)		(Note)		ns
$t_h(\text{WR-DB})$	Data output hold time (WR standard)		(Note)		ns
$t_w(\text{WR})$	WR signal width		(Note)		ns

Note: Calculated according to the BCLK frequency as follows:

$$t_d(\text{DB-WR}) = \frac{10^9 \times n}{f(\text{BCLK})} - 40 \quad [\text{ns}] \quad (n=1, 2 \text{ and } 3 \text{ when } 1 \text{ wait, } 2 \text{ wait and } 3 \text{ wait, respectively})$$

$$t_h(\text{WR-DB}) = \frac{10^9}{f(\text{BCLK}) \times 2} - 20 \quad [\text{ns}]$$

$$t_h(\text{WR-AD}) = \frac{10^9}{f(\text{BCLK}) \times 2} - 20 \quad [\text{ns}]$$

$$t_h(\text{WR-CS}) = \frac{10^9}{f(\text{BCLK}) \times 2} - 20 \quad [\text{ns}]$$

$$t_w(\text{WR}) = \frac{10^9 \times n}{f(\text{BCLK}) \times 2} - 20 \quad [\text{ns}] \quad (n=1, 3 \text{ and } 5 \text{ when } 1 \text{ wait, } 2 \text{ wait and } 3 \text{ wait, respectively})$$

Timing ( $V_{CC} = 3V$ ) $V_{CC} = 3V$ 

Switching characteristics (referenced to  $V_{CC} = 3V$ ,  $V_{SS} = 0V$  at  $T_{opr} = 25^{\circ}C$ ,  $CM15 = "1"$  unless otherwise specified)

**Table 1.28.41. Memory expansion and microprocessor modes**  
(with wait, accessing external memory, multiplex bus area selected)

Symbol	Parameter	Measuring condition	Standard		Unit
			Min.	Max.	
$t_d(BCLK-AD)$	Address output delay time	Figure 1.28.1		25	ns
$t_h(BCLK-AD)$	Address output hold time (BCLK standard)		0		ns
$t_h(RD-AD)$	Address output hold time (RD standard)		(Note)		ns
$t_h(WR-AD)$	Address output hold time (WR standard)		(Note)		ns
$t_d(BCLK-CS)$	Chip select output delay time			25	ns
$t_h(BCLK-CS)$	Chip select output hold time (BCLK standard)		0		ns
$t_h(RD-CS)$	Chip select output hold time (RD standard)		(Note)		ns
$t_h(WR-CS)$	Chip select output hold time (WR standard)		(Note)		ns
$t_d(BCLK-RD)$	RD signal output delay time			25	ns
$t_h(BCLK-RD)$	RD signal output hold time		-3		ns
$t_d(BCLK-WR)$	WR signal output delay time			25	ns
$t_h(BCLK-WR)$	WR signal output hold time		0		ns
$t_d(DB-WR)$	Data output delay time (WR standard)		(Note)		ns
$t_h(WR-DB)$	Data output hold time (WR standard)		(Note)		ns
$t_d(BCLK-ALE)$	ALE signal output delay time (BCLK standard)			25	ns
$t_h(BCLK-ALE)$	ALE signal output hold time (BCLK standard)		-2		ns
$t_d(AD-ALE)$	ALE signal output delay time (address standard)		(Note)		ns
$t_h(ALE-AD)$	ALE signal output hold time (address standard)		(Note)		ns
$t_{dz}(RD-AD)$	Address output floating start time			8	ns
$t_h(BCLK-DB)$	DB signal output hold time (BCLK standard)		0		ns

Note: Calculated according to the BCLK frequency as follows:

$$t_{h(RD-AD)} = \frac{10^9}{f_{(BCLK)} \times 2} - 20 \quad [ns]$$

$$t_{h(WR-AD)} = \frac{10^9}{f_{(BCLK)} \times 2} - 20 \quad [ns]$$

$$t_{h(RD-CS)} = \frac{10^9}{f_{(BCLK)} \times 2} - 20 \quad [ns]$$

$$t_{h(WR-CS)} = \frac{10^9}{f_{(BCLK)} \times 2} - 20 \quad [ns]$$

$$t_{d(DB-WR)} = \frac{10^9 \times m}{f_{(BCLK)} \times 2} - 40 \quad [ns] \quad (m=3 \text{ and } 5 \text{ when } 2 \text{ wait and } 3 \text{ wait, respectively})$$

$$t_{h(WR-DB)} = \frac{10^9}{f_{(BCLK)} \times 2} - 20 \quad [ns]$$

$$t_{d(AD-ALE)} = \frac{10^9}{f_{(BCLK)} \times 2} - 27 \quad [ns]$$

$$t_{h(ALE-AD)} = \frac{10^9}{f_{(BCLK)} \times 2} - 20 \quad [ns]$$

Timing ( $V_{CC} = 3V$ ) $V_{CC} = 3V$ 

Switching characteristics (referenced to  $V_{CC} = 3V$ ,  $V_{SS} = 0V$  at  $T_{opr} = 25^{\circ}C$  unless otherwise specified)

**Table 1.28.42. Memory expansion and microprocessor modes  
(with wait, accessing external memory, DRAM area selected)**

Symbol	Parameter	Measuring condition	Standard		Unit
			Min.	Max.	
$t_{d(BCLK-RAD)}$	Row address output delay time	Figure 1.28.1		25	ns
$t_{h(BCLK-RAD)}$	Row address output hold time (BCLK standard)		0		ns
$t_{d(BCLK-CAD)}$	String address output delay time			25	ns
$t_{h(BCLK-CAD)}$	String address output hold time (BCLK standard)		0		ns
$t_{h(RAS-RAD)}$	Row address output hold time after RAS output		(Note)		ns
$t_{d(BCLK-RAS)}$	RAS output delay time (BCLK standard)			25	ns
$t_{h(BCLK-RAS)}$	RAS output hold time (BCLK standard)		0		ns
$t_{RP}$	RAS "H" hold time		(Note)		ns
$t_{d(BCLK-CAS)}$	CAS output delay time (BCLK standard)			25	ns
$t_{h(BCLK-CAS)}$	CAS output hold time (BCLK standard)		0		ns
$t_{d(BCLK-DW)}$	Data output delay time (BCLK standard)			25	ns
$t_{h(BCLK-DW)}$	Data output hold time (BCLK standard)		- 3		ns
$t_{su(DB-CAS)}$	CAS after DB output setup time		(Note)		ns
$t_{h(BCLK-DB)}$	DB signal output hold time (BCLK standard)		- 7		ns
$t_{su(CAS-RAS)}$	CAS before RAS setup time (refresh)		(Note)		ns

Note: Calculated according to the BCLK frequency as follows:

$$t_{h(RAS-RAD)} = \frac{10^9}{f_{(BCLK)} \times 2} - 25 \quad [ns]$$

$$t_{RP} = \frac{10^9 \times 3}{f_{(BCLK)} \times 2} - 40 \quad [ns]$$

$$t_{su(DB-CAS)} = \frac{10^9}{f_{(BCLK)}} - 40 \quad [ns]$$

$$t_{su(CAS-RAS)} = \frac{10^9}{f_{(BCLK)} \times 2} - 25 \quad [ns]$$

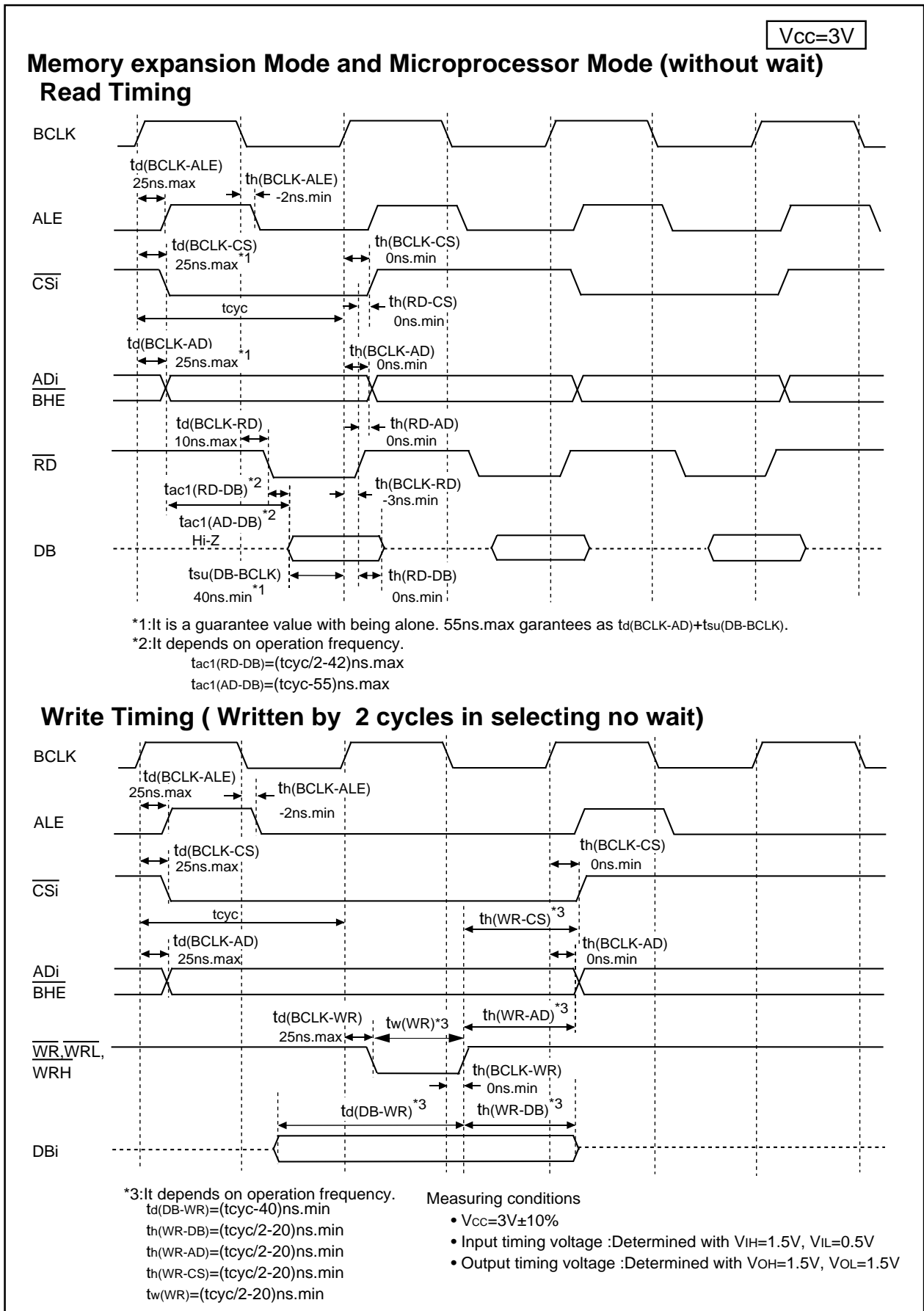


Figure 1.28.15.  $V_{CC}=3V$  timing diagram (1)

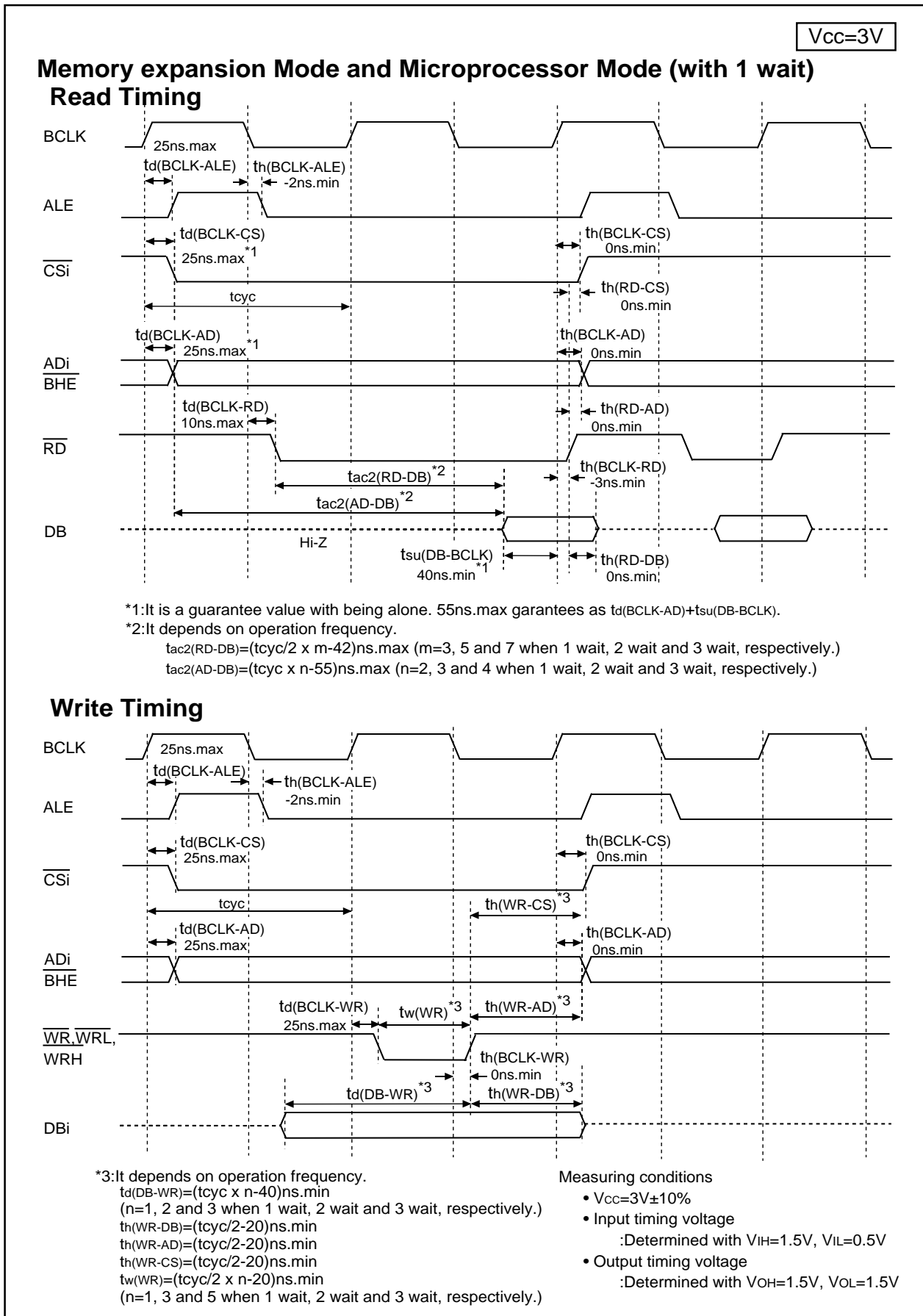


Figure 1.28.16. Vcc=3V timing diagram (2)

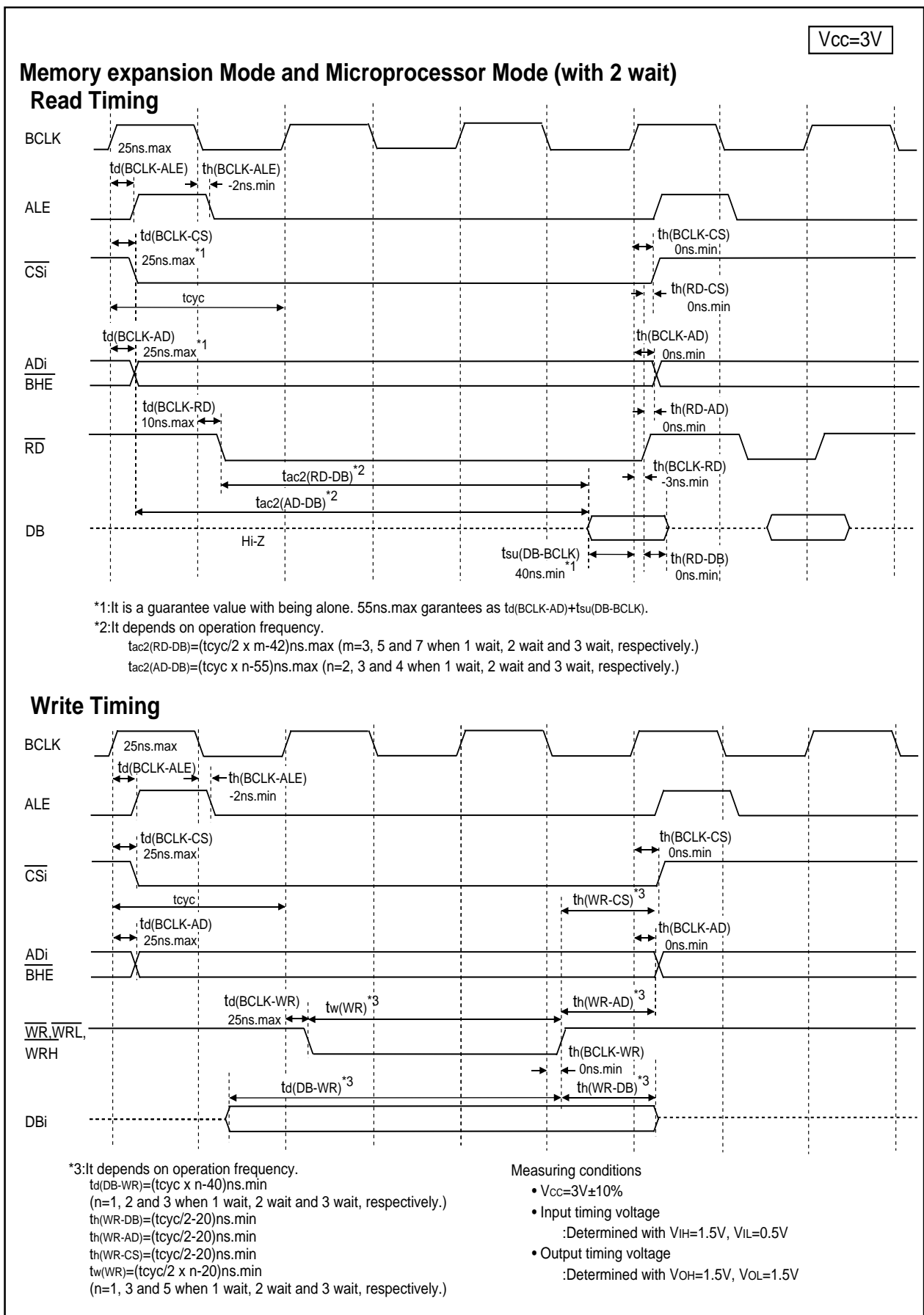


Figure 1.28.17. Vcc=3V timing diagram (3)

Timing (Vcc = 3V)

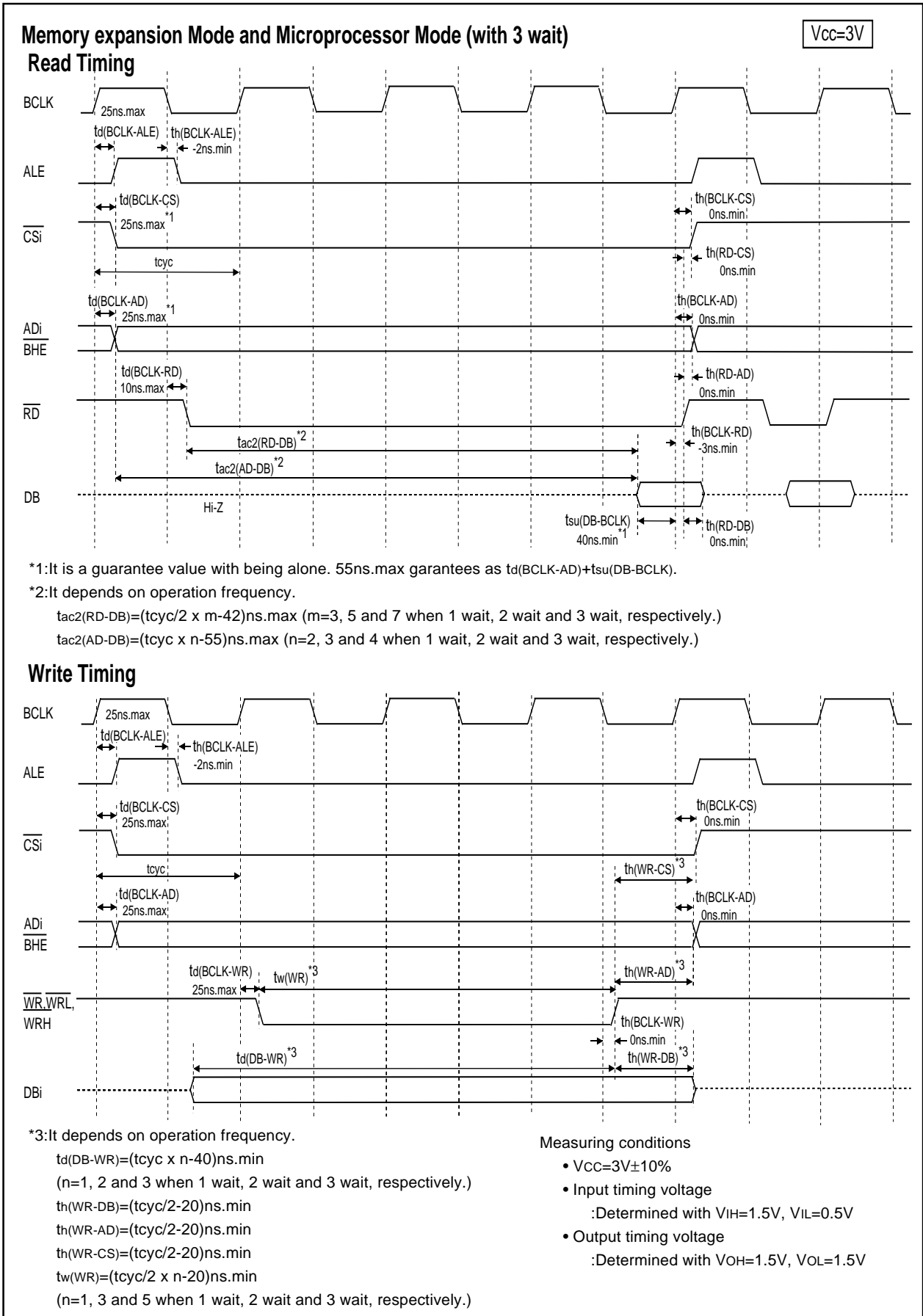


Figure 1.28.18. Vcc=3V timing diagram (4)

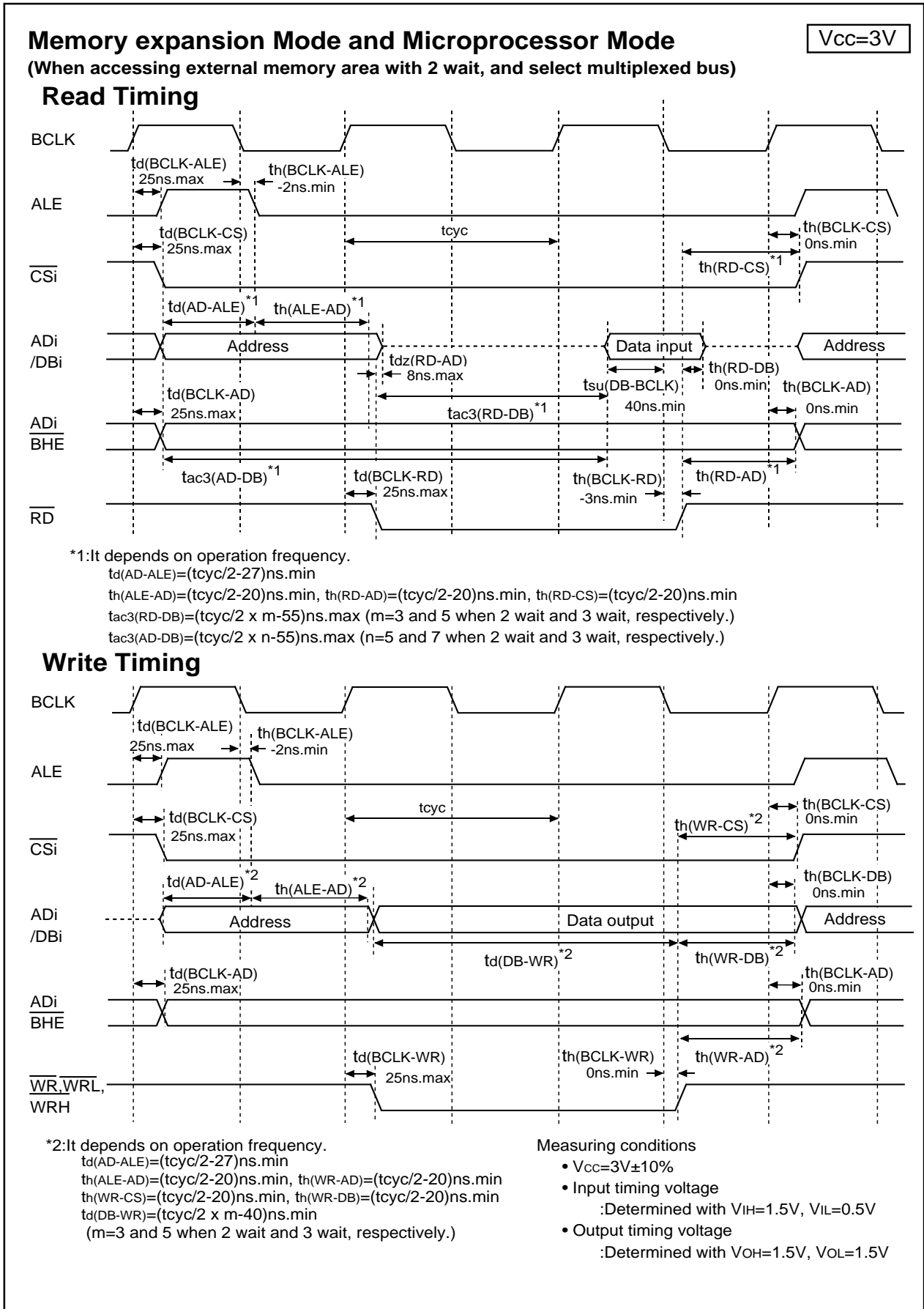


Figure 1.28.19. Vcc=3V timing diagram (5)



Timing (Vcc = 3V)

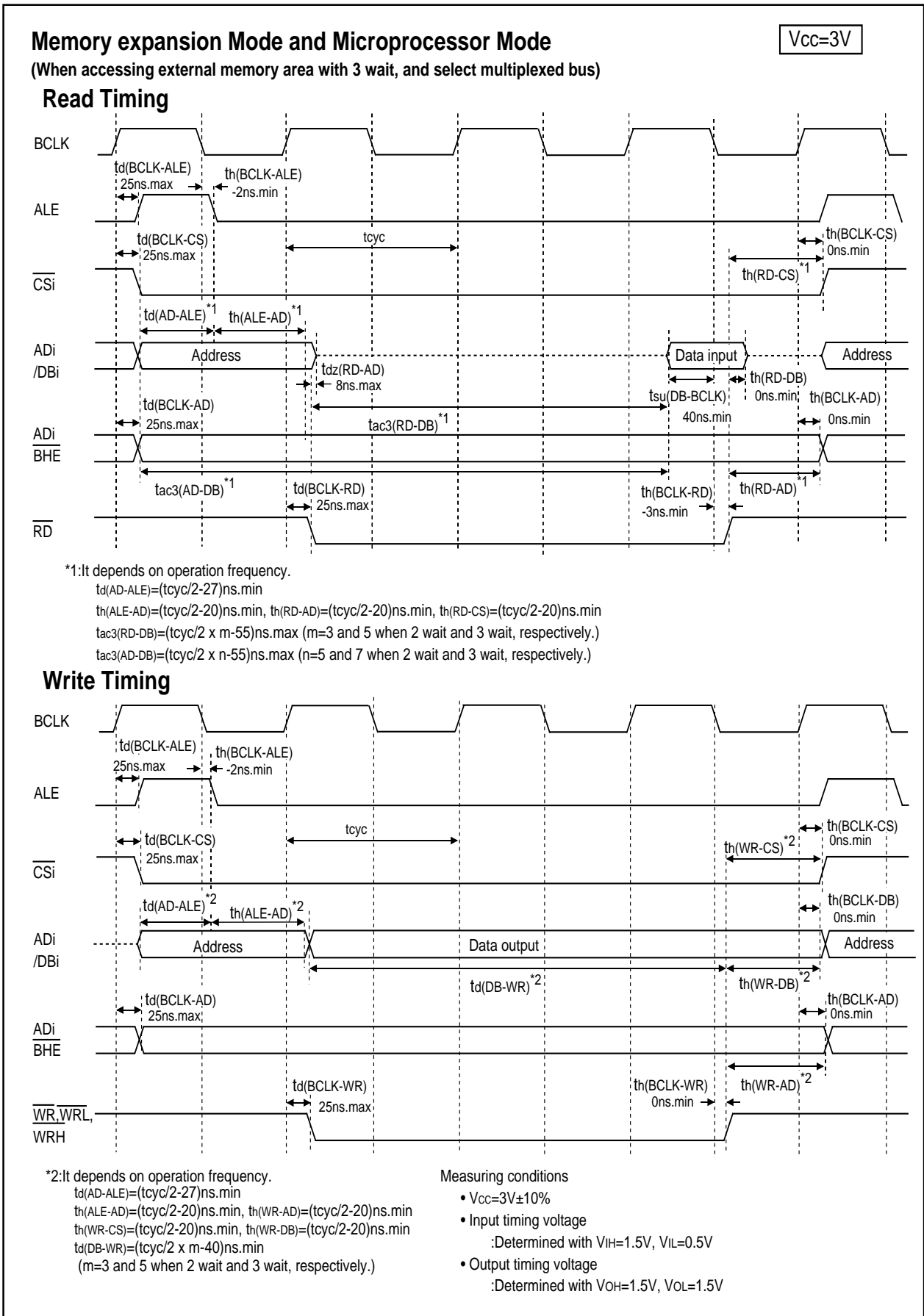


Figure 1.28.20. Vcc=3V timing diagram (6)

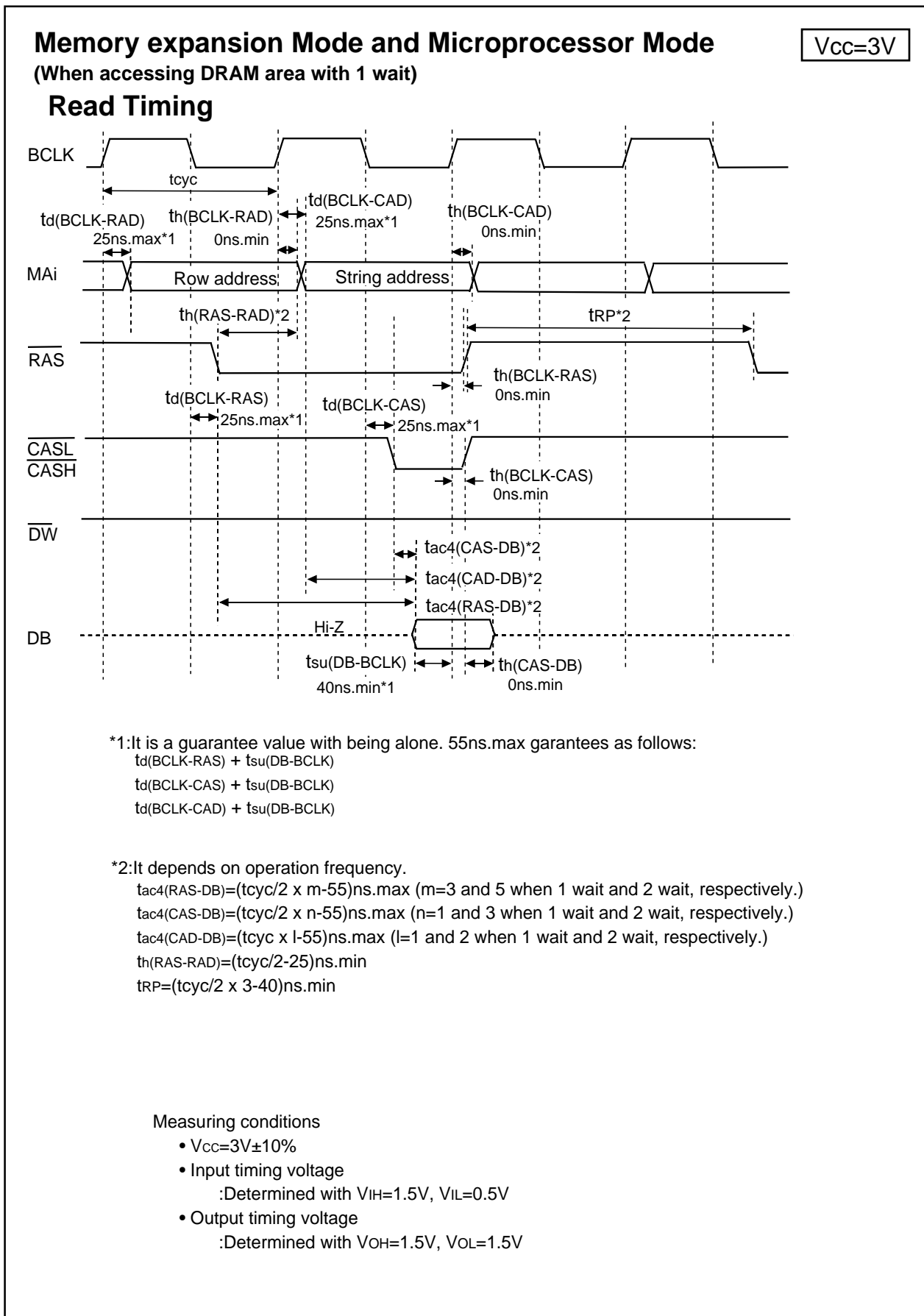
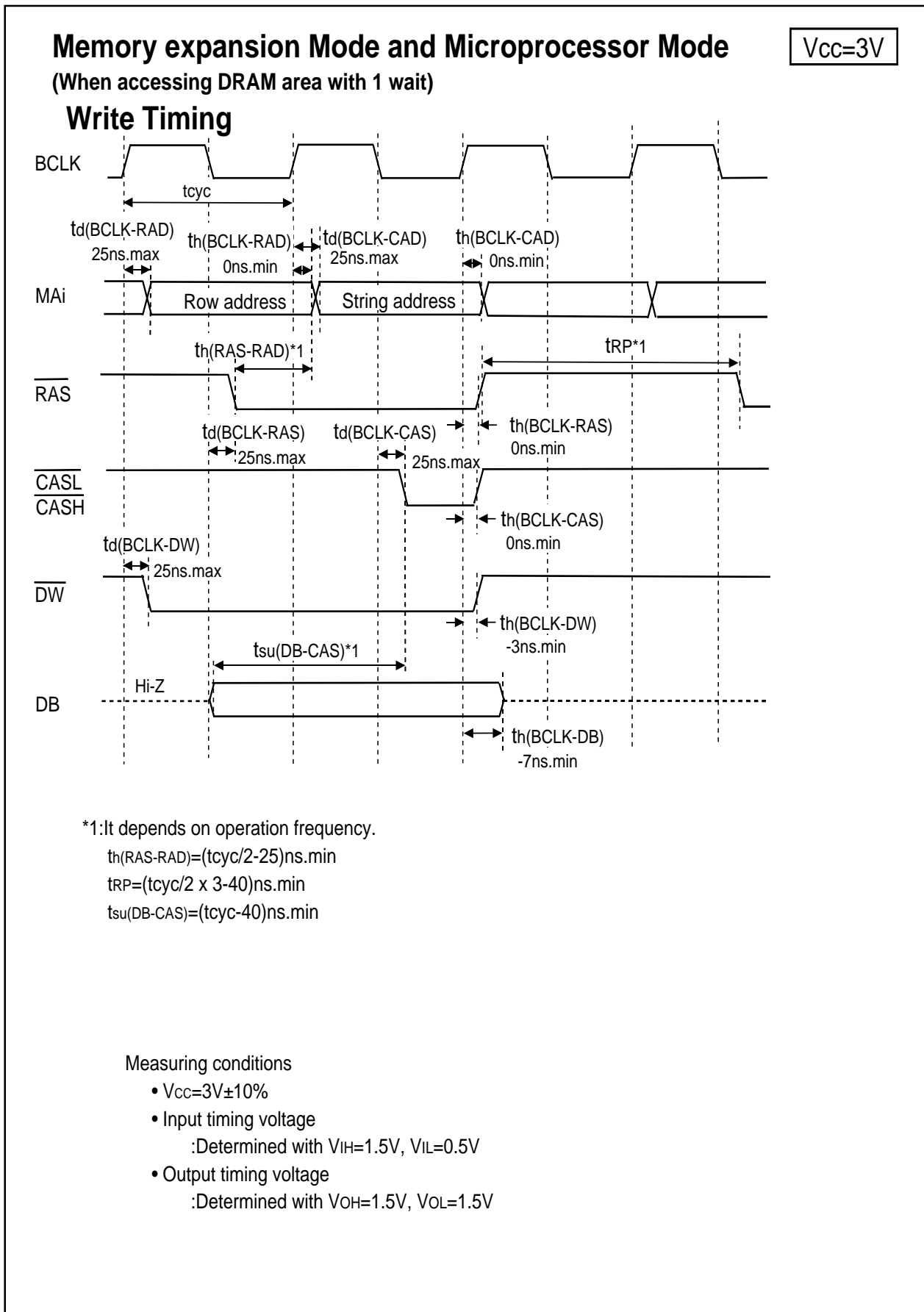


Figure 1.28.21. V<sub>CC</sub>=3V timing diagram (7)

Timing ( $V_{CC} = 3V$ )Figure 1.28.22.  $V_{CC}=3V$  timing diagram (8)

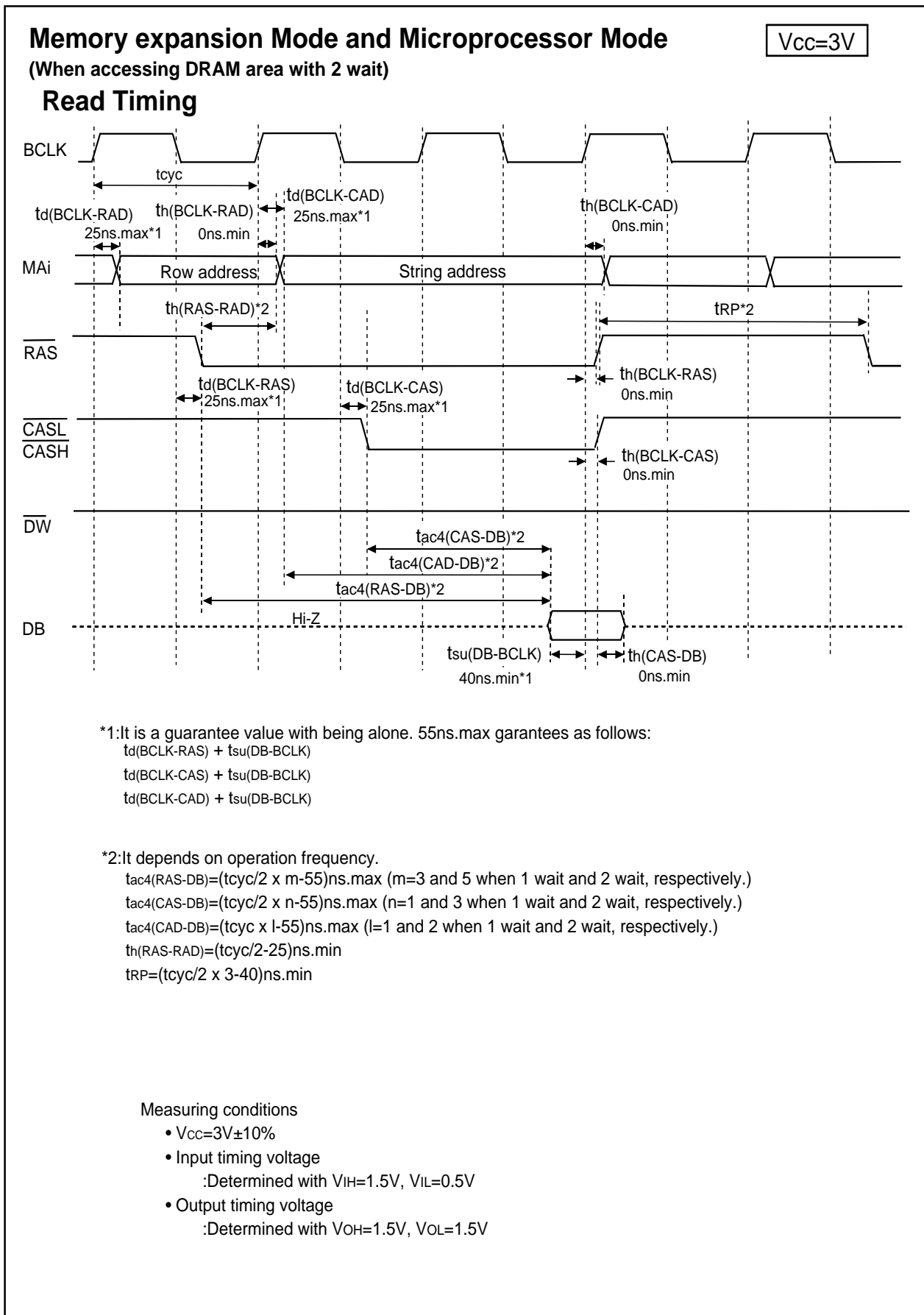
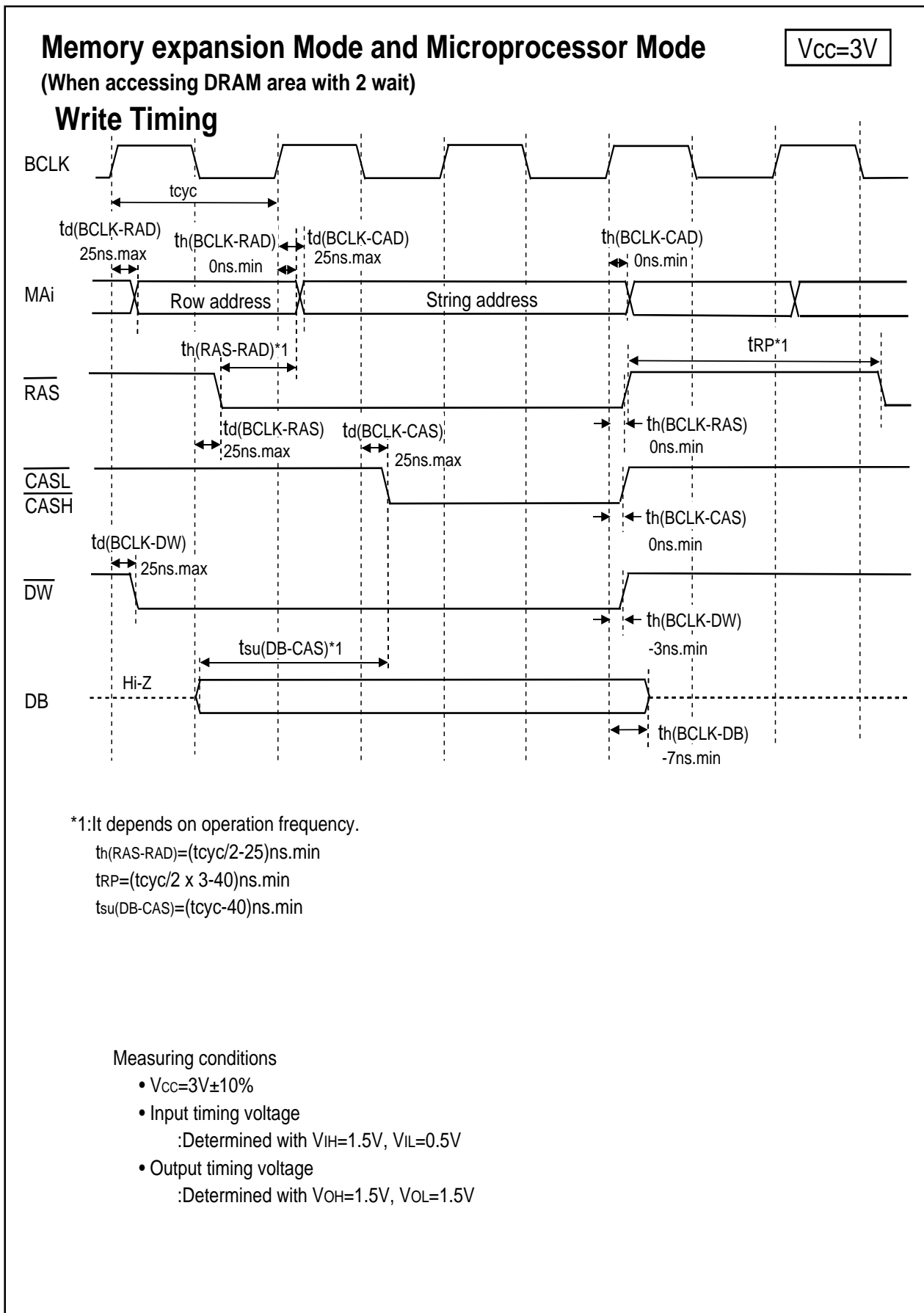


Figure 1.28.23.  $V_{CC}=3V$  timing diagram (9)

Timing ( $V_{CC} = 3V$ )Figure 1.28.24.  $V_{CC}=3V$  timing diagram (10)

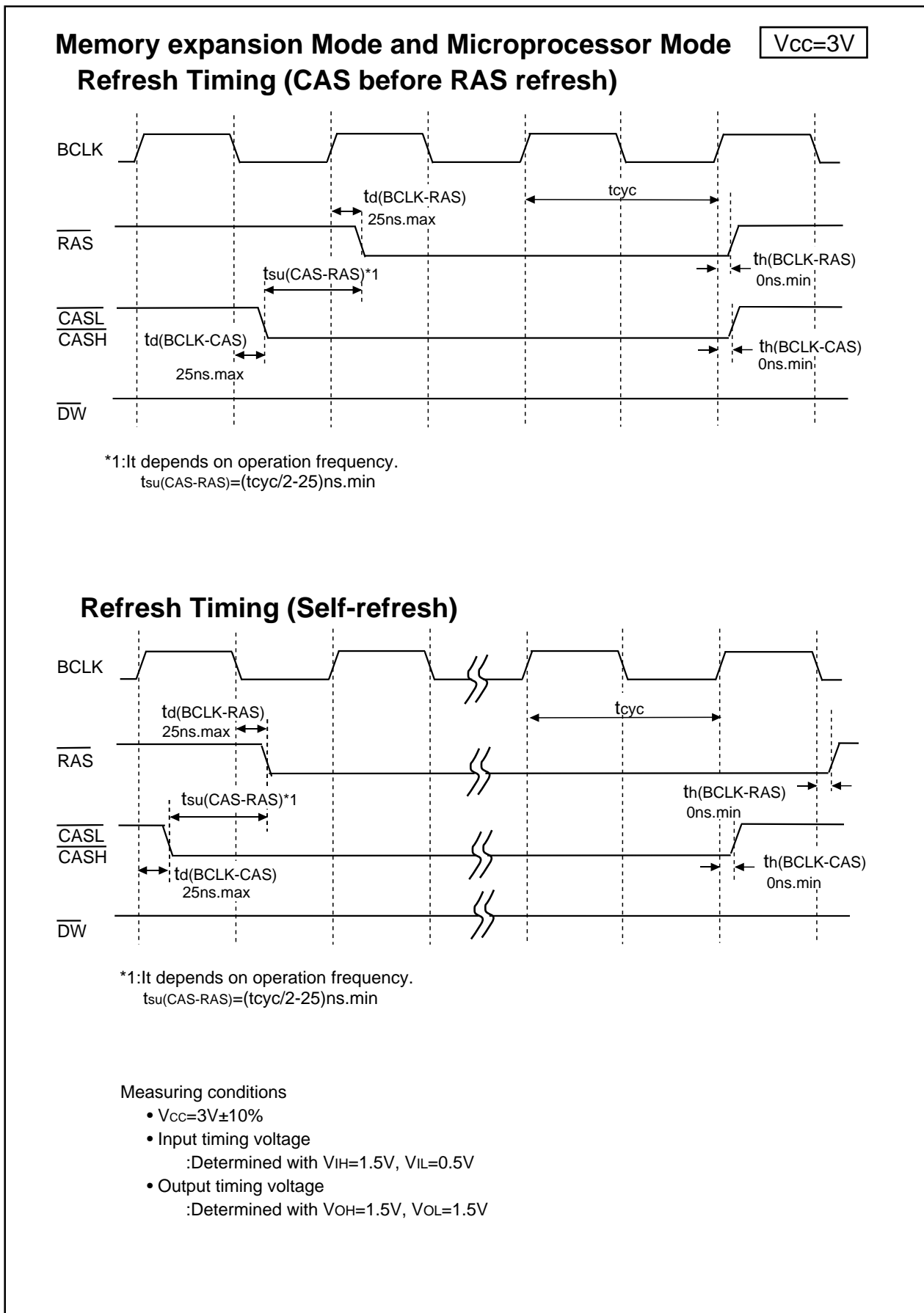


Figure 1.28.25.  $V_{CC} = 3V$  timing diagram (11)

Timing ( $V_{CC} = 3V$ )

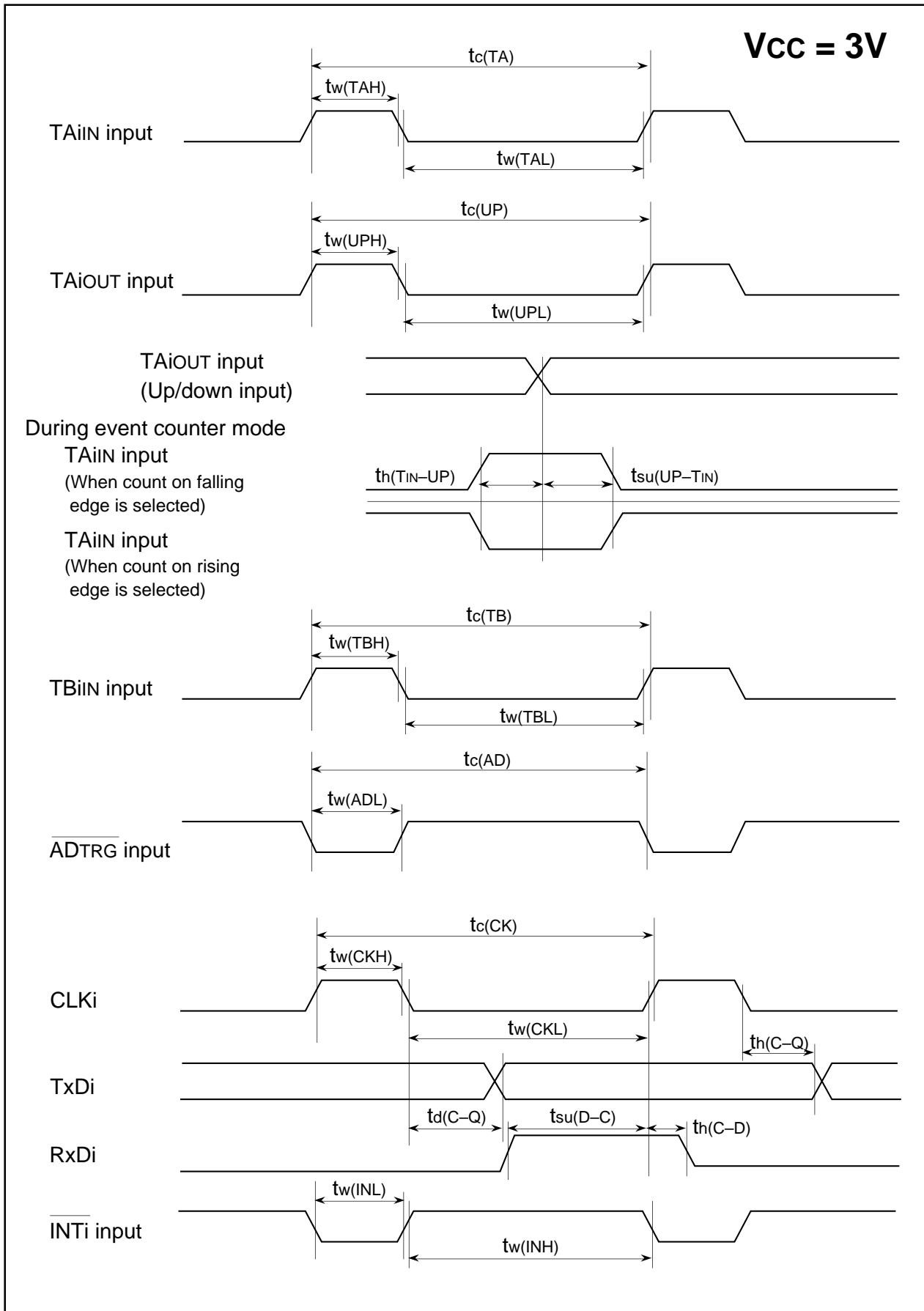


Figure 1.28.26.  $V_{CC}=3V$  timing diagram (12)

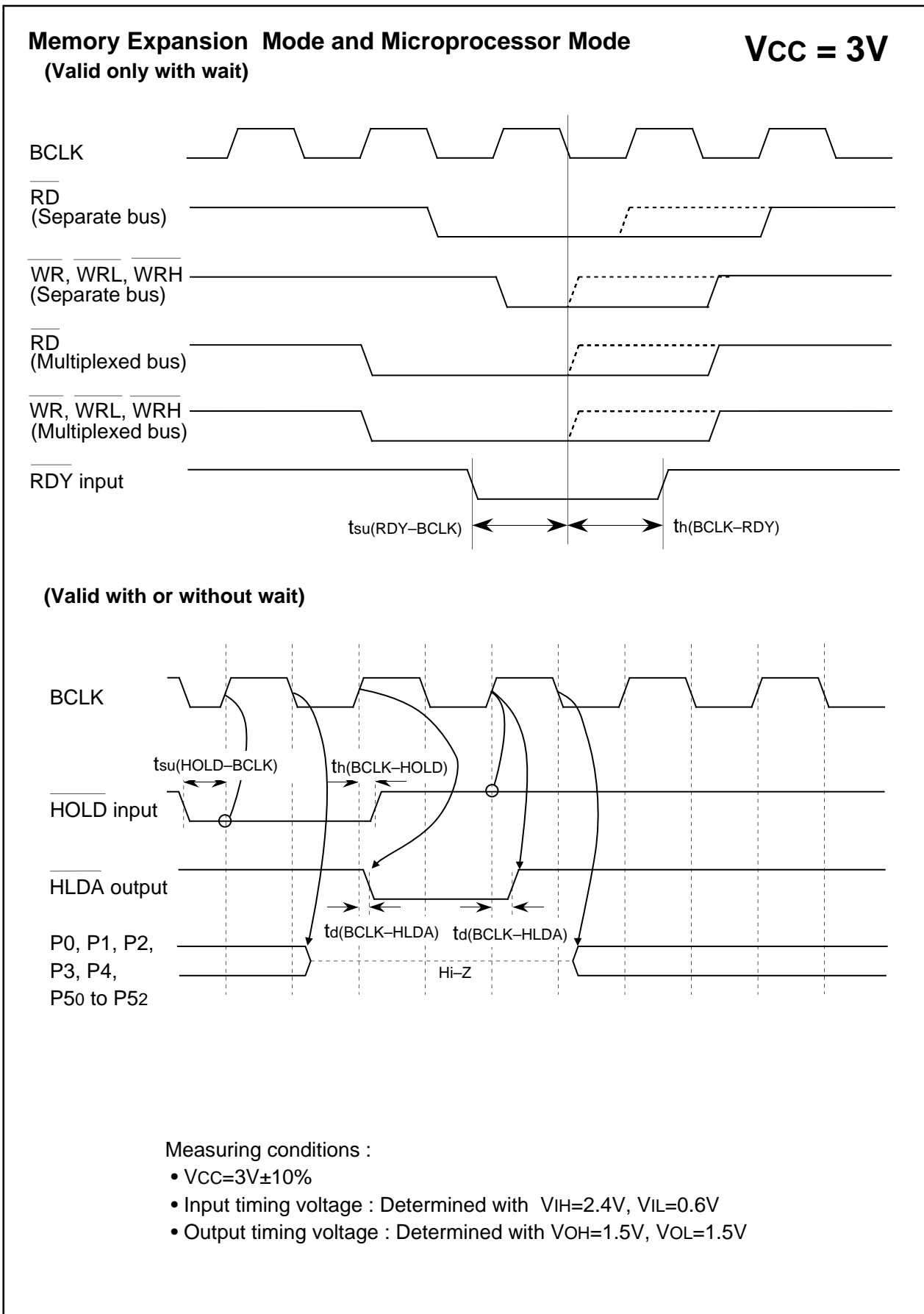


Figure 1.28.27.  $V_{CC}=3V$  timing diagram (13)



## Description (Flash Memory Version)

## Outline Performance

Table 1.29.1 shows the outline performance of the M16C/80 (flash memory version).

**Table 1.29.1. Outline Performance of the M16C/80 (flash memory version)**

Item		Performance
Power supply voltage		5V version: f(XIN)=20MHz, without wait, 4.2V to 5.5V f(XIN)=10MHz, without wait, 2.7V to 5.5V
Program/erase voltage		5V version: 4.2V to 5.5 V f(BCLK)=12.5MHz, with one wait f(BCLK)=6.25MHz, without wait
Flash memory operation mode		Three modes (parallel I/O, standard serial I/O, CPU rewrite)
Erase block division	User ROM area	See Figure 1.29.3
	Boot ROM area	One division (8 Kbytes) (Note 1)
Program method		In units of pages (in units of 256 bytes)
Erase method		Collective erase/block erase
Program/erase control method		Program/erase control by software command
Protect method		Protected for each block by lock bit
Number of commands		8 commands
Program/erase count		100 times
Data holding		10 years
ROM code protect		Parallel I/O and standard serial modes are supported.

Note: The boot ROM area contains a standard serial I/O mode control program which is stored in it when shipped from the factory. This area can be erased and programmed in only parallel I/O mode.

Description (Flash Memory Version)

The following shows Mitsubishi plans to develop a line of M16C/80 products (flash memory version).

- (1) ROM capacity
- (2) Package 100P6S-A ... Plastic molded QFP
- 100P6Q-A ... Plastic molded QFP
- 144P6Q-A ... Plastic molded QFP

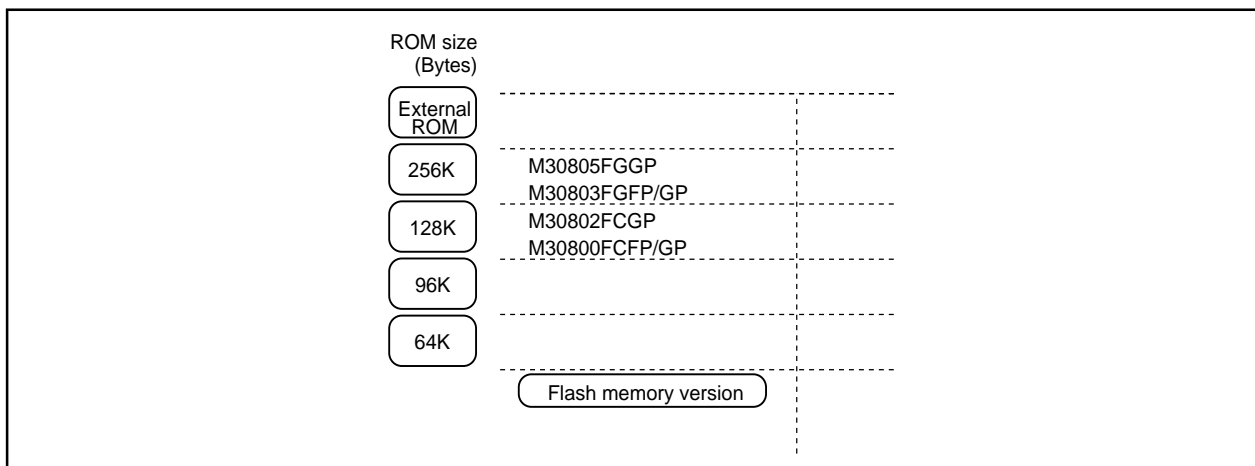


Figure 1.29.1. ROM Expansion

The following lists the M16C/80 products to be supported in the future.

Table 1.29.2. Product List

As of July, 2000

Type No	ROM capacity	RAM capacity	Package type	Remarks
M30800FCFP *	128 Kbytes	10 Kbytes	100P6S-A	
M30800FCGP *			100P6Q-A	
M30803FGFP *	256 Kbytes	20 Kbytes	100P6S-A	
M30803FGGP *			100P6Q-A	
M30802FCGP *	128 Kbytes	10 Kbytes	144P6Q-A	
M30805FGGP *	256 Kbytes	20 Kbytes		

\* : Under development

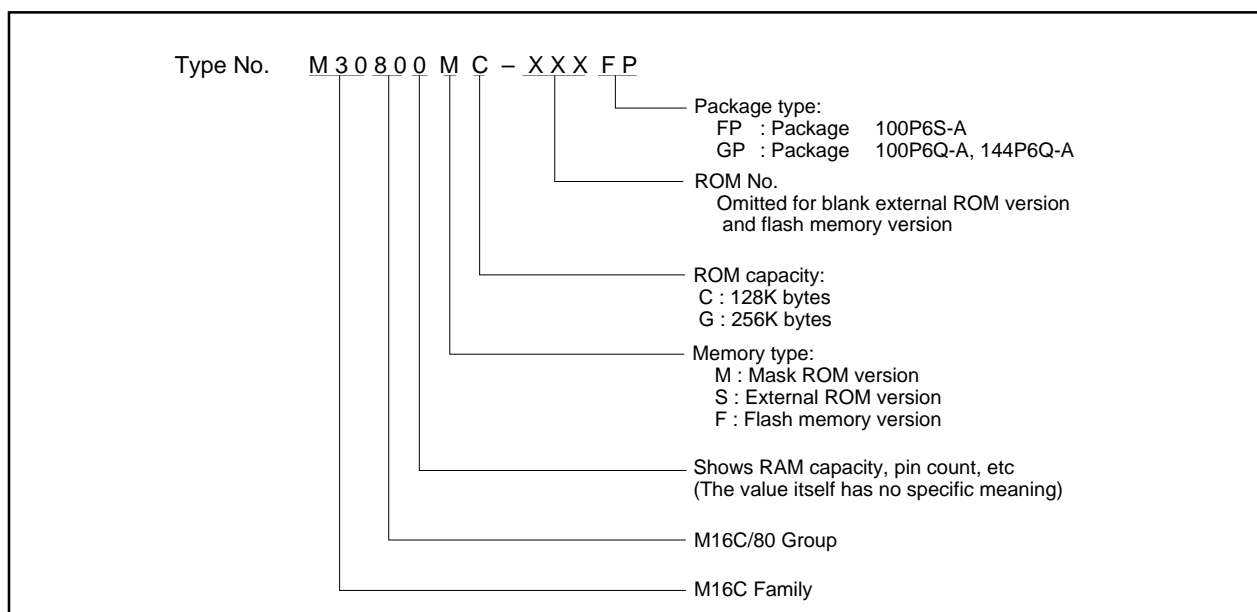


Figure 1.29.2. Type No., memory size, and package

## Description (Flash Memory Version)

**Flash Memory**

The M16C/80 (flash memory version) contains the flash memory that can be rewritten with a single voltage of 5 V. For this flash memory, three flash memory modes are available in which to read, program, and erase: parallel I/O and standard serial I/O modes in which the flash memory can be manipulated using a programmer and a CPU rewrite mode in which the flash memory can be manipulated by the Central Processing Unit (CPU). Each mode is detailed in the pages to follow.

The flash memory is divided into several blocks as shown in Figure 1.29.3, so that memory can be erased one block at a time. Each block has a lock bit to enable or disable execution of an erase or program operation, allowing for data in each block to be protected.

In addition to the ordinary user ROM area to store a microcomputer operation control program, the flash memory has a boot ROM area that is used to store a program to control rewriting in CPU rewrite and standard serial I/O modes. This boot ROM area has had a standard serial I/O mode control program stored in it when shipped from the factory. However, the user can write a rewrite control program in this area that suits the user's application system. This boot ROM area can be rewritten in only parallel I/O mode.

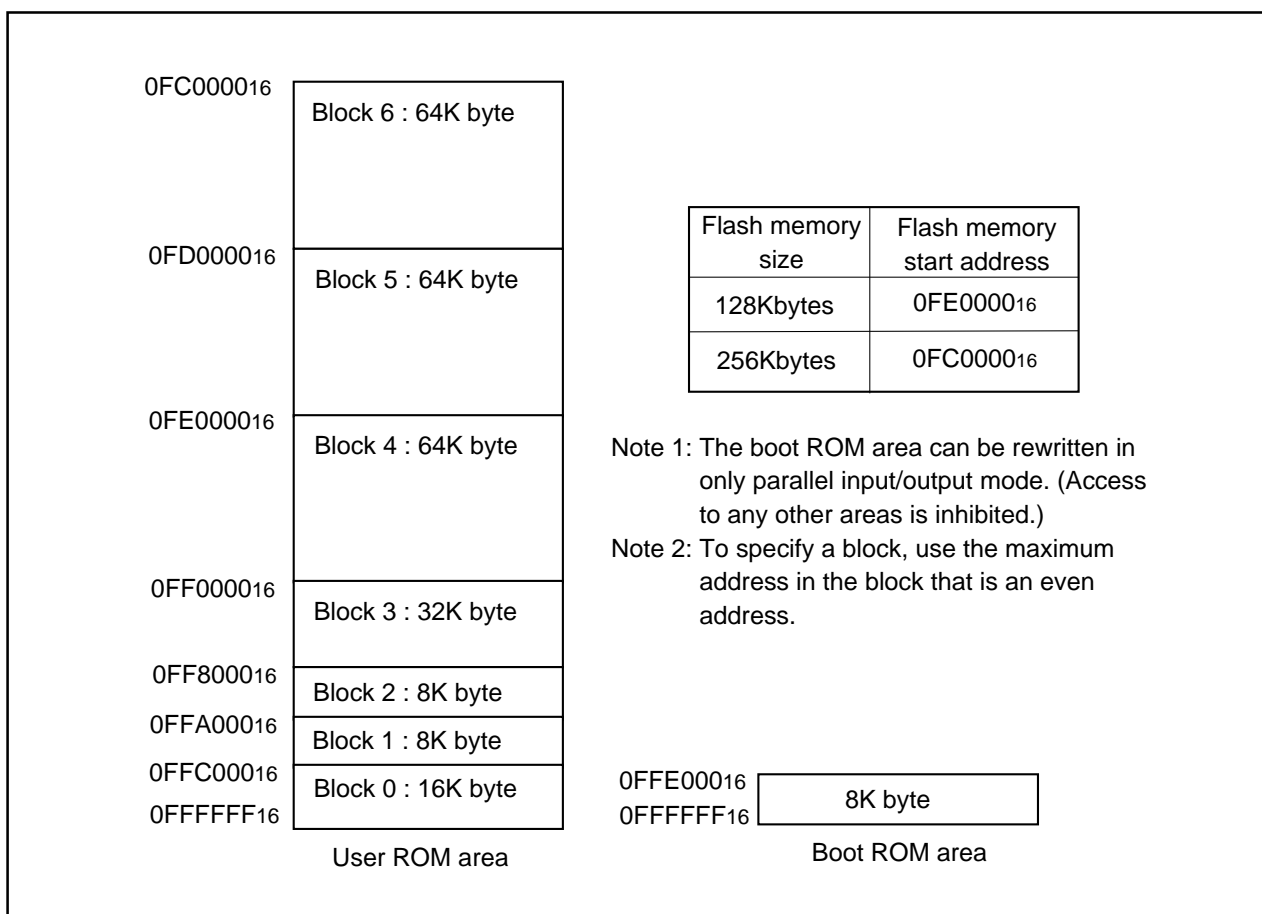


Figure 1.29.3. Block diagram of flash memory version

## CPU Rewrite Mode

In CPU rewrite mode, the on-chip flash memory can be operated on (read, program, or erase) under control of the Central Processing Unit (CPU).

In CPU rewrite mode, only the user ROM area shown in Figure 1.29.3 can be rewritten; the boot ROM area cannot be rewritten. Make sure the program and block erase commands are issued for only the user ROM area and each block area.

The control program for CPU rewrite mode can be stored in either user ROM or boot ROM area. In the CPU rewrite mode, because the flash memory cannot be read from the CPU, the rewrite control program must be transferred to any area other than the internal flash memory before it can be executed.

## Microcomputer Mode and Boot Mode

The control program for CPU rewrite mode must be written into the user ROM or boot ROM area in parallel I/O mode beforehand. (If the control program is written into the boot ROM area, the standard serial I/O mode becomes unusable.)

See Figure 1.29.3 for details about the boot ROM area.

Normal microcomputer mode is entered when the microcomputer is reset with pulling CNVss pin low. In this case, the CPU starts operating using the control program in the user ROM area.

When the microcomputer is reset by pulling the P55 pin low, the CNVss pin high, and the P50 pin high, the CPU starts operating using the control program in the boot ROM area. This mode is called the "boot" mode. The control program in the boot ROM area can also be used to rewrite the user ROM area.

## Block Address

Block addresses refer to the maximum even address of each block. These addresses are used in the block erase command, lock bit program command, and read lock status command.

## Outline Performance (CPU Rewrite Mode)

In the CPU rewrite mode, the CPU erases, programs and reads the internal flash memory as instructed by software commands. Operations must be executed from a memory other than the internal flash memory, such as the internal RAM.

When the CPU rewrite mode select bit (bit 1 at address 037716) is set to "1", transition to CPU rewrite mode occurs and software commands can be accepted.

In the CPU rewrite mode, write to and read from software commands and data into even-numbered address ("0" for byte address A0) in 16-bit units. Always write 8-bit software commands into even-numbered address. Commands are ignored with odd-numbered addresses.

Use software commands to control program and erase operations. Whether a program or erase operation has terminated normally or in error can be verified by reading the status register.

Figure 1.30.1 shows the flash memory control register 0 and the flash memory control register 1.

Bit 0 of the flash memory control register 0 is the RY/ $\overline{\text{BY}}$  status flag used exclusively to read the operating status of the flash memory. During programming and erase operations, it is "0". Otherwise, it is "1".

Bit 1 of the flash memory control register 0 is the CPU rewrite mode select bit. The CPU rewrite mode is entered by setting this bit to "1", so that software commands become acceptable. In CPU rewrite mode, the CPU becomes unable to access the internal flash memory directly. Therefore, write bit 1 in an area other than the internal flash memory. To set this bit to "1", it is necessary to write "0" and then write "1" in succession when NMI pin is "H" level. The bit can be set to "0" by only writing a "0".

Bit 2 of the flash memory control register 0 is a lock bit disable bit. By setting this bit to "1", it is possible to disable erase and write protect (block lock) effectuated by the lock bit data. The lock bit disable select bit only disables the lock bit function; it does not change the lock data bit value. However, if an erase operation is performed when this bit = "1", the lock bit data that is "0" (locked) is set to "1" (unlocked) after erasure. To set this bit to "1", it is necessary to write "0" and then write "1" in succession. This bit can be manipulated only when the CPU rewrite mode select bit = "1".

Bit 3 of the flash memory control register 0 is the flash memory reset bit used to reset the control circuit of the internal flash memory. This bit is used when exiting CPU rewrite mode and when flash memory access has failed. When the CPU rewrite mode select bit is "1", writing "1" for this bit resets the control circuit. To release the reset, it is necessary to set this bit to "0".

Bit 5 of the flash memory control register 0 is a user ROM area select bit which is effective in only boot mode. If this bit is set to "1" in boot mode, the area to be accessed is switched from the boot ROM area to the user ROM area. When the CPU rewrite mode needs to be used in boot mode, set this bit to "1". Note that if the microcomputer is booted from the user ROM area, it is always the user ROM area that can be accessed and this bit has no effect. When in boot mode, the function of this bit is effective regardless of whether the CPU rewrite mode is on or off. Use the control program except in the internal flash memory to rewrite this bit.

Bit 3 of the flash memory control register 1 turns power supply to the internal flash memory on/off. When this bit is set to "1", power is not supplied to the internal flash memory, thus power consumption can be reduced. However, in this state, the internal flash memory cannot be accessed. To set this bit to "1", it is necessary to write "0" and then write "1" in succession. Use this bit mainly in the low speed mode (when XCIN is the block count source of BCLK).

When the CPU is shifted to the stop or wait modes, power to the internal flash memory is automatically shut off. It is reconnected automatically when CPU operation is restored. Therefore, it is not particularly necessary to set flash memory control register 1.

## CPU Rewrite Mode (Flash Memory Version)

Figure 1.30.2 shows a flowchart for setting/releasing the CPU rewrite mode. Figure 1.30.3 shows a flowchart for shifting to the low speed mode. Always perform operation as indicated in these flowcharts.

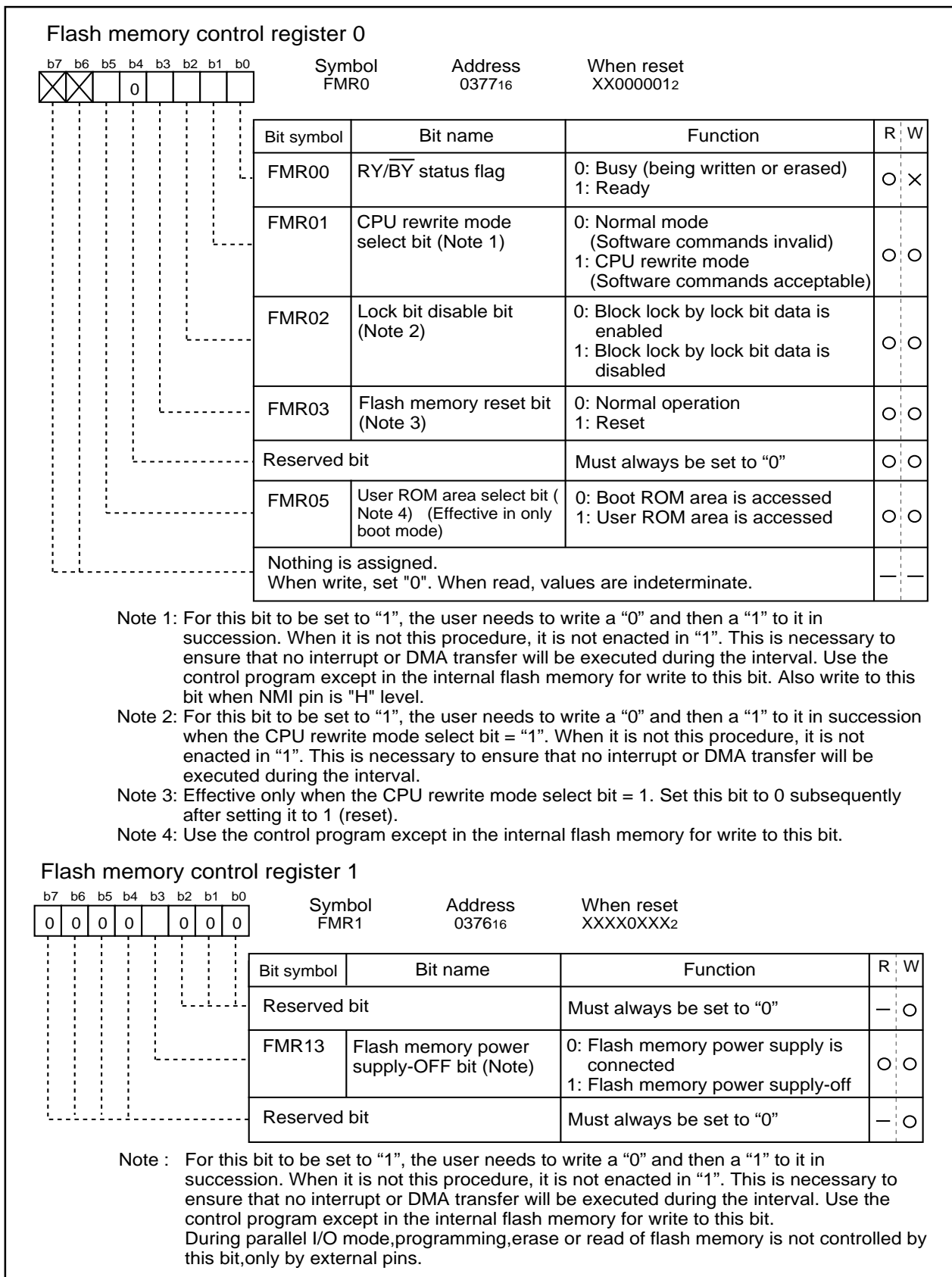


Figure 1.30.1. Flash memory control registers

## CPU Rewrite Mode (Flash Memory Version)

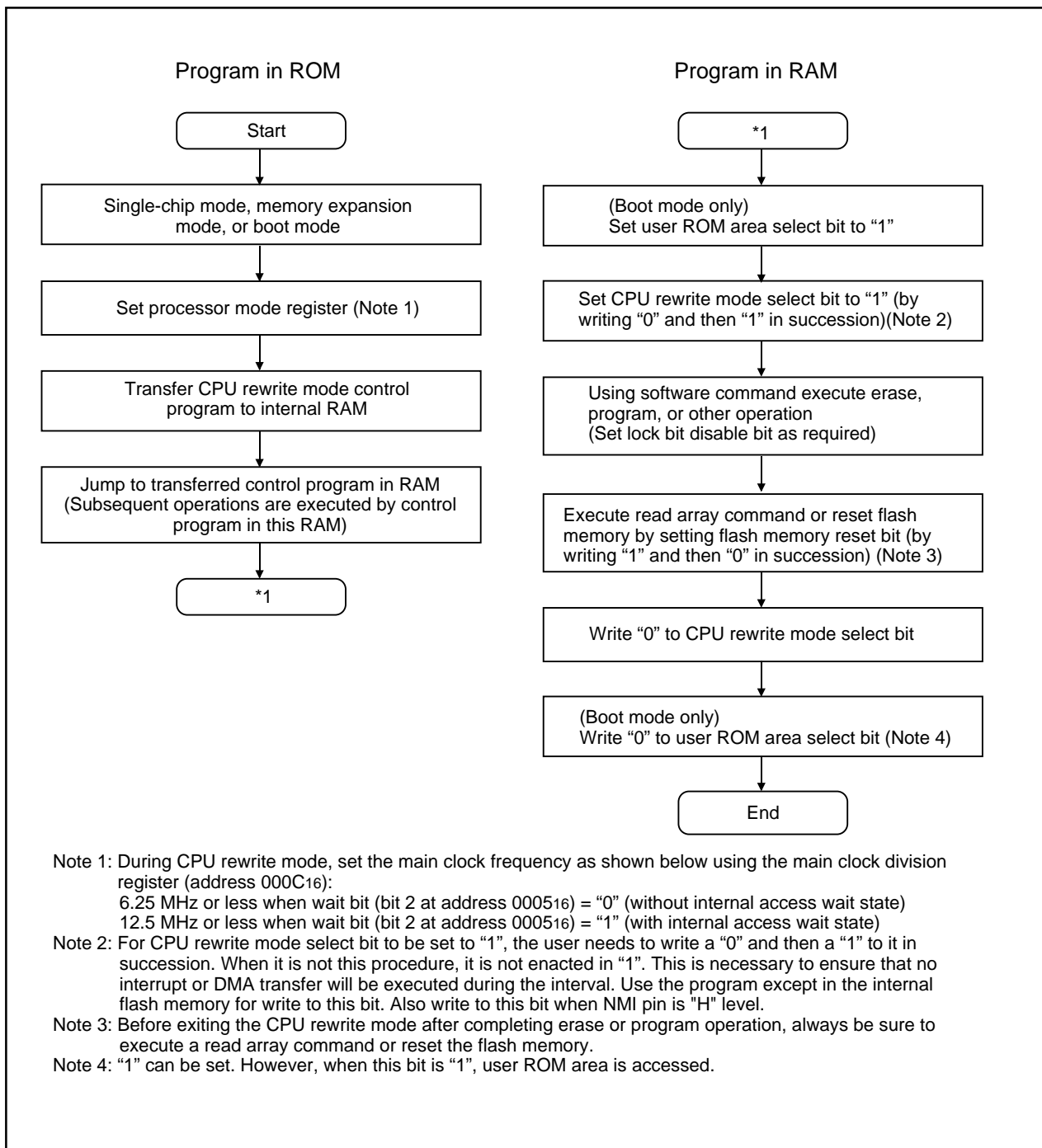


Figure 1.30.2. CPU rewrite mode set/reset flowchart

## CPU Rewrite Mode (Flash Memory Version)

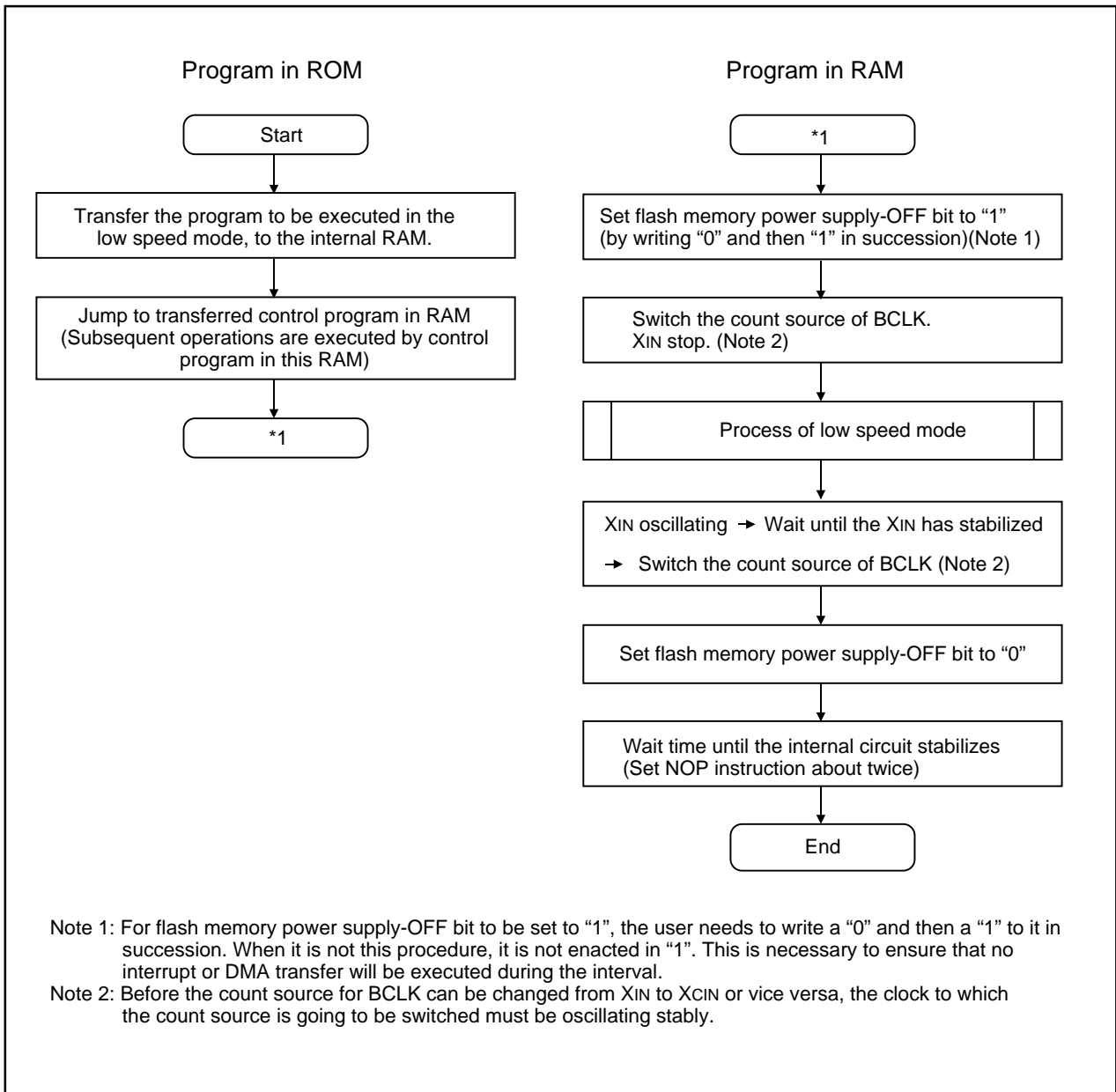


Figure 1.30.3. Shifting to the low speed mode flowchart



## Precautions on CPU Rewrite Mode

Described below are the precautions to be observed when rewriting the flash memory in CPU rewrite mode.

### (1) Operation speed

During CPU rewrite mode, set the main clock frequency as shown below using the main clock division register (address 000C16):

6.25 MHz or less when wait bit (bit 2 at address 000516) = 0 (without internal access wait state)

12.5 MHz or less when wait bit (bit 2 at address 000516) = 1 (with internal access wait state)

### (2) Instructions inhibited against use

The instructions listed below cannot be used during CPU rewrite mode because they refer to the internal data of the flash memory:

UND instruction, INTO instruction, JMPS instruction, JSRS instruction, and BRK instruction

### (3) Interrupts inhibited against use

The address match interrupt cannot be used during CPU rewrite mode because they refer to the internal data of the flash memory. If interrupts have their vector in the variable vector table, they can be used by transferring the vector into the RAM area. The  $\overline{\text{NMI}}$  and watchdog timer interrupts each can be used to change the CPU rewrite mode select bit forcibly to normal mode (FMR01="0") upon occurrence of the interrupt. Since the rewrite operation is halted when the  $\overline{\text{NMI}}$  and watchdog timer interrupts occur, set the CPU rewrite mode select bit to "1" and the erase/program operation needs to be performed over again.

### (4) Reset

Reset input is always accepted.

### (5) Access disable

Write CPU rewrite mode select bit, flash memory power supply-OFF bit and user ROM area select bit in an area other than the internal flash memory.

### (6) How to access

For CPU rewrite mode select bit, lock bit disable bit, and flash memory power supply-OFF bit to be set to "1", the user needs to write a "0" and then a "1" to it in succession. When it is not this procedure, it is not enacted in "1". This is necessary to ensure that no interrupt or DMA transfer will be executed during the interval.

Write to the CPU rewrite mode select bit when NMI pin is "H" level.

### (7) Writing in the user ROM area

If power is lost while rewriting blocks that contain the flash rewrite program with the CPU rewrite mode, those blocks may not be correctly rewritten and it is possible that the flash memory can no longer be rewritten after that. Therefore, it is recommended to use the standard serial I/O mode or parallel I/O mode to rewrite these blocks.

### (8) Using the lock bit

To use the CPU rewrite mode, use a boot program that can set and cancel the lock command.

## Software Commands

Table 1.30.1 lists the software commands available with the M16C/62A (flash memory version).

After setting the CPU rewrite mode select bit to 1, write a software command to specify an erase or program operation. Note that when entering a software command, the upper byte (D<sub>8</sub> to D<sub>15</sub>) is ignored.

The content of each software command is explained below.

**Table 1.30.1. List of software commands (CPU rewrite mode)**

Command	First bus cycle			Second bus cycle			Third bus cycle		
	Mode	Address	Data (D <sub>0</sub> to D <sub>7</sub> )	Mode	Address	Data (D <sub>0</sub> to D <sub>7</sub> )	Mode	Address	Data (D <sub>0</sub> to D <sub>7</sub> )
Read array	Write	X (Note 6)	FF <sub>16</sub>						
Read status register	Write	X	70 <sub>16</sub>	Read	X	SRD (Note 2)			
Clear status register	Write	X	50 <sub>16</sub>						
Page program (Note 3)	Write	X	41 <sub>16</sub>	Write	WA0 (Note 3)	WD0 (Note 3)	Write	WA1	WD1
Block erase	Write	X	20 <sub>16</sub>	Write	BA (Note 4)	D0 <sub>16</sub>			
Erase all unlock block	Write	X	A7 <sub>16</sub>	Write	X	D0 <sub>16</sub>			
Lock bit program	Write	X	77 <sub>16</sub>	Write	BA	D0 <sub>16</sub>			
Read lock bit status	Write	X	71 <sub>16</sub>	Read	BA	D <sub>6</sub> (Note 5)			

Note 1: When a software command is input, the high-order byte of data (D<sub>8</sub> to D<sub>15</sub>) is ignored.

Note 2: SRD = Status Register Data

Note 3: WA = Write Address, WD = Write Data

WA and WD must be set sequentially from 00<sub>16</sub> to FE<sub>16</sub> (byte address; however, an even address). The page size is 256 bytes.

Note 4: BA = Block Address (Enter the maximum address of each block that is an even address.)

Note 5: D<sub>6</sub> corresponds to the block lock status. Block not locked when D<sub>6</sub> = 1, block locked when D<sub>6</sub> = 0.

Note 6: X denotes a given address in the user ROM area (that is an even address).

### Read Array Command (FF<sub>16</sub>)

The read array mode is entered by writing the command code "FF<sub>16</sub>" in the first bus cycle. When an even address to be read is input in one of the bus cycles that follow, the content of the specified address is read out at the data bus (D<sub>0</sub>–D<sub>15</sub>), 16 bits at a time.

The read array mode is retained intact until another command is written.

### Read Status Register Command (70<sub>16</sub>)

When the command code "70<sub>16</sub>" is written in the first bus cycle, the content of the status register is read out at the data bus (D<sub>0</sub>–D<sub>7</sub>) by a read in the second bus cycle.

The status register is explained in the next section.

### Clear Status Register Command (50<sub>16</sub>)

This command is used to clear the bits SR<sub>3</sub> to 5 of the status register after they have been set. These bits indicate that operation has ended in an error. To use this command, write the command code "50<sub>16</sub>" in the first bus cycle.

**Page Program Command (41<sub>16</sub>)**

Page program allows for high-speed programming in units of 256 bytes. Page program operation starts when the command code "41<sub>16</sub>" is written in the first bus cycle. In the second bus cycle through the 129th bus cycle, the write data is sequentially written 16 bits at a time. At this time, the addresses A0-A7 need to be incremented by 2 from "00<sub>16</sub>" to "FE<sub>16</sub>." When the system finishes loading the data, it starts an auto write operation (data program and verify operation).

Whether the auto write operation is completed can be confirmed by reading the status register or the flash memory control register 0. At the same time the auto write operation starts, the read status register mode is automatically entered, so the content of the status register can be read out. The status register bit 7 (SR7) is set to 0 at the same time the auto write operation starts and is returned to 1 upon completion of the auto write operation. In this case, the read status register mode remains active until the Read Array command (FF<sub>16</sub>) or Read Lock Bit Status command (71<sub>16</sub>) is written or the flash memory is reset using its reset bit.

The RY/ $\overline{\text{BY}}$  status flag of the flash memory control register 0 is 0 during auto write operation and 1 when the auto write operation is completed as is the status register bit 7.

After the auto write operation is completed, the status register can be read out to know the result of the auto write operation. For details, refer to the section where the status register is detailed.

Figure 1.30.4 shows an example of a page program flowchart.

Each block of the flash memory can be write protected by using a lock bit. For details, refer to the section where the data protect function is detailed.

Additional writes to the already programmed pages are prohibited.

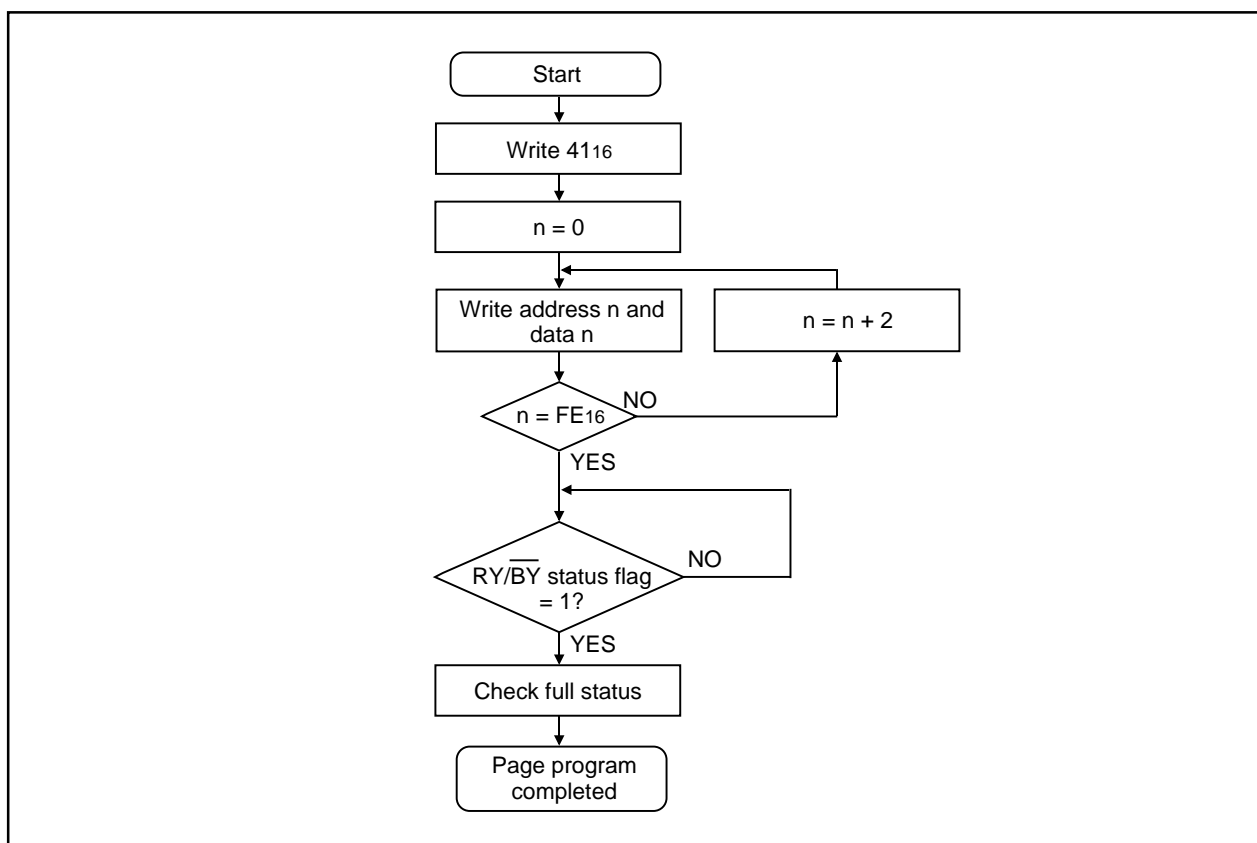


Figure 1.30.4. Page program flowchart

**Block Erase Command (20<sub>16</sub>/D0<sub>16</sub>)**

By writing the command code “20<sub>16</sub>” in the first bus cycle and the confirmation command code “D0<sub>16</sub>” in the second bus cycle that follows to the block address of a flash memory block, the system initiates an auto erase (erase and erase verify) operation.

Whether the auto erase operation is completed can be confirmed by reading the status register or the flash memory control register 0. At the same time the auto erase operation starts, the read status register mode is automatically entered, so the content of the status register can be read out. The status register bit 7 (SR7) is set to 0 at the same time the auto erase operation starts and is returned to 1 upon completion of the auto erase operation. In this case, the read status register mode remains active until the Read Array command (FF<sub>16</sub>) or Read Lock Bit Status command (71<sub>16</sub>) is written or the flash memory is reset using its reset bit.

The RY/ $\overline{\text{BY}}$  status flag of the flash memory control register 0 is 0 during auto erase operation and 1 when the auto erase operation is completed as is the status register bit 7.

After the auto erase operation is completed, the status register can be read out to know the result of the auto erase operation. For details, refer to the section where the status register is detailed.

Figure 1.30.5 shows an example of a block erase flowchart.

Each block of the flash memory can be protected against erasure by using a lock bit. For details, refer to the section where the data protect function is detailed.

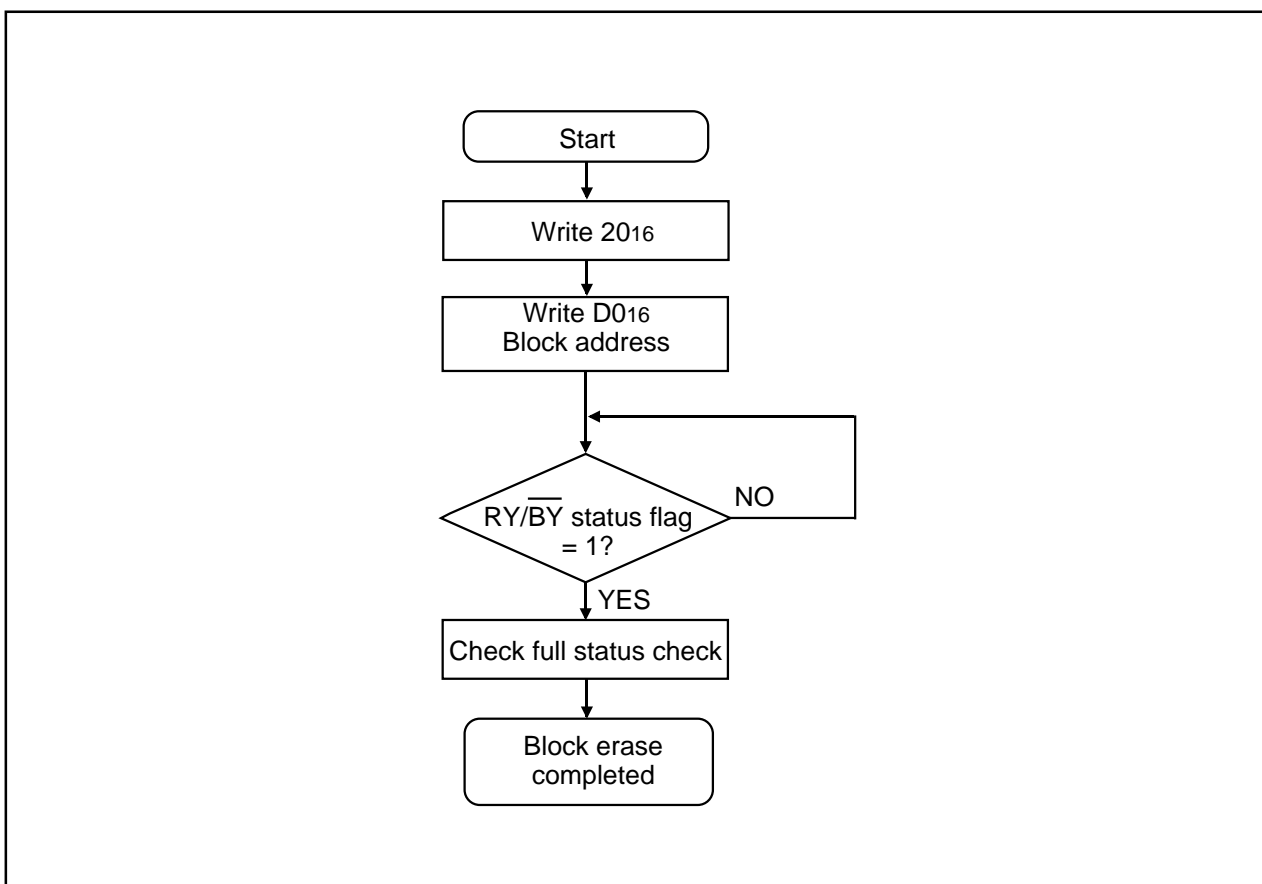


Figure 1.30.5. Block erase flowchart

**Erase All Unlock Blocks Command (A7<sub>16</sub>/D0<sub>16</sub>)**

By writing the command code "A7<sub>16</sub>" in the first bus cycle and the confirmation command code "D0<sub>16</sub>" in the second bus cycle that follows, the system starts erasing blocks successively.

Whether the erase all unlock blocks command is terminated can be confirmed by reading the status register or the flash memory control register 0, in the same way as for block erase. Also, the status register can be read out to know the result of the auto erase operation.

When the lock bit disable bit of the flash memory control register 0 = 1, all blocks are erased no matter how the lock bit is set. On the other hand, when the lock bit disable bit = 0, the function of the lock bit is effective and only nonlocked blocks (where lock bit data = 1) are erased.

**Lock Bit Program Command (77<sub>16</sub>/D0<sub>16</sub>)**

By writing the command code "77<sub>16</sub>" in the first bus cycle and the confirmation command code "D0<sub>16</sub>" in the second bus cycle that follows to the block address of a flash memory block, the system sets the lock bit for the specified block to 0 (locked).

Figure 1.30.6 shows an example of a lock bit program flowchart. The status of the lock bit (lock bit data) can be read out by a read lock bit status command.

Whether the lock bit program command is terminated can be confirmed by reading the status register or the flash memory control register 0, in the same way as for page program.

For details about the function of the lock bit and how to reset the lock bit, refer to the section where the data protect function is detailed.

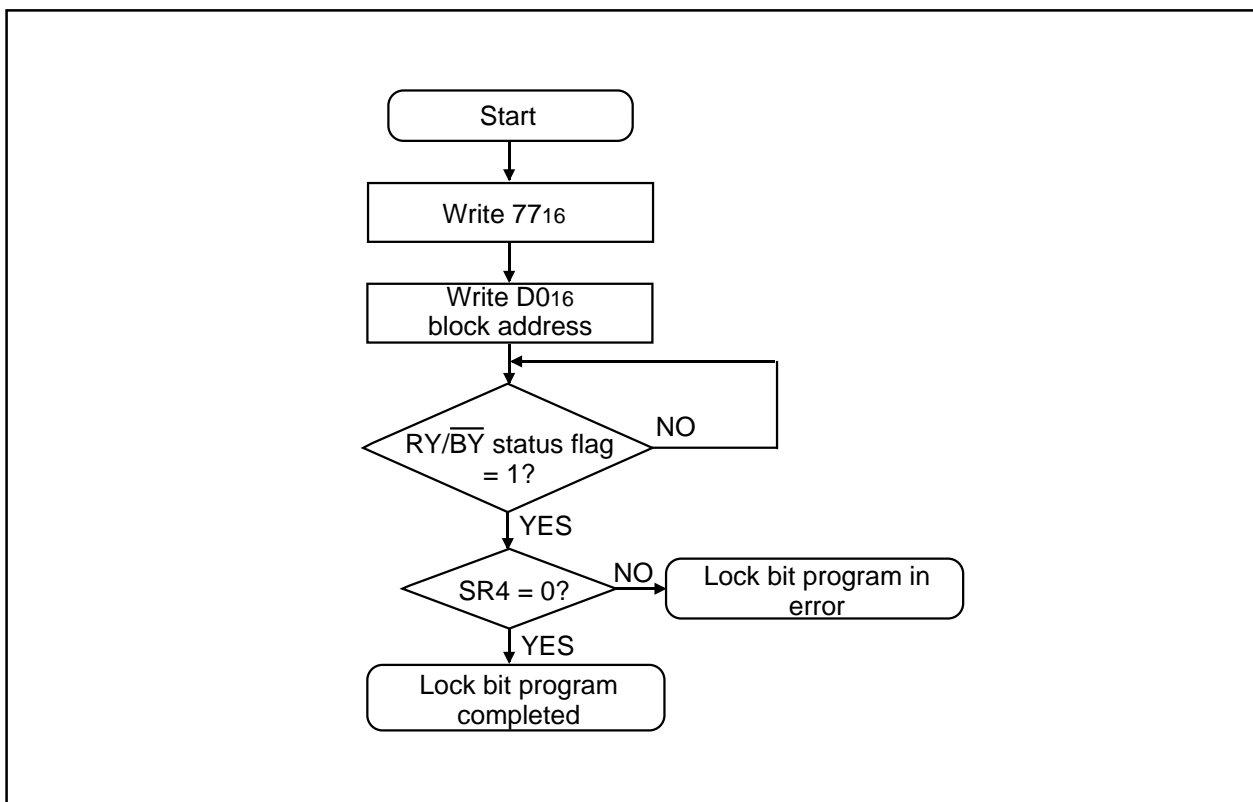


Figure 1.30.6. Lock bit program flowchart

## CPU Rewrite Mode (Flash Memory Version)

**Read Lock Bit Status Command (7116)**

By writing the command code "7116" in the first bus cycle and then the block address of a flash memory block in the second bus cycle that follows, the system reads out the status of the lock bit of the specified block on to the data (D6).

Figure 1.30.7 shows an example of a read lock bit program flowchart.

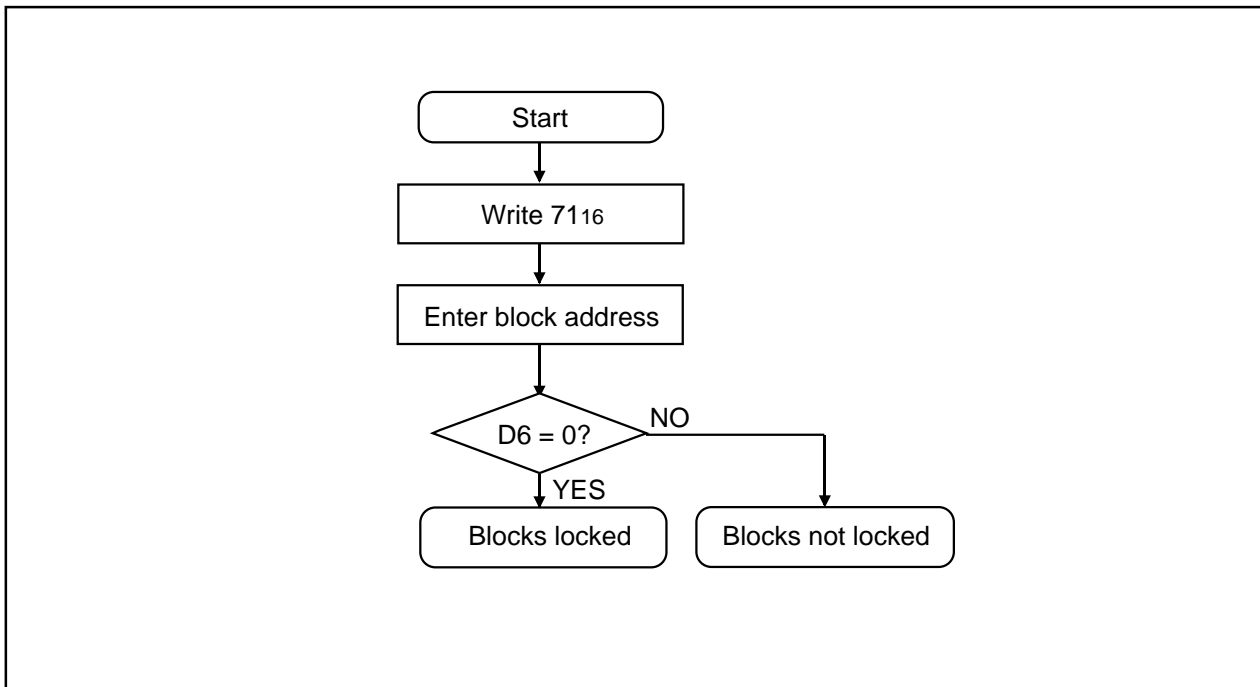


Figure 1.30.7. Read lock bit status flowchart

## Data Protect Function (Block Lock)

Each block in Figure 1.29.3 has a nonvolatile lock bit to specify that the block be protected (locked) against erase/write. The lock bit program command is used to set the lock bit to 0 (locked). The lock bit of each block can be read out using the read lock bit status command.

Whether block lock is enabled or disabled is determined by the status of the lock bit and how the flash memory control register 0's lock bit disable bit is set.

- (1) When the lock bit disable bit = 0, a specified block can be locked or unlocked by the lock bit status (lock bit data). Blocks whose lock bit data = 0 are locked, so they are disabled against erase/write. On the other hand, the blocks whose lock bit data = 1 are not locked, so they are enabled for erase/write.
- (2) When the lock bit disable bit = 1, all blocks are nonlocked regardless of the lock bit data, so they are enabled for erase/write. In this case, the lock bit data that is 0 (locked) is set to 1 (nonlocked) after erasure, so that the lock bit-actuated lock is removed.

## Status Register

The status register indicates the operating status of the flash memory and whether an erase or program operation has terminated normally or in an error. The content of this register can be read out by only writing the read status register command (70<sub>16</sub>). Table 1.30.2 details the status register.

The status register is cleared by writing the Clear Status Register command (50<sub>16</sub>).

After a reset, the status register is set to "80<sub>16</sub>."

Each bit in this register is explained below.

### Write state machine (WSM) status (SR7)

After power-on, the write state machine (WSM) status is set to 1.

The write state machine (WSM) status indicates the operating status of the device, as for output on the RY/ $\overline{\text{BY}}$  pin. This status bit is set to 0 during auto write or auto erase operation and is set to 1 upon completion of these operations.

### Erase status (SR5)

The erase status informs the operating status of auto erase operation to the CPU. When an erase error occurs, it is set to 1.

The erase status is reset to 0 when cleared.

**Program status (SR4)**

The program status informs the operating status of auto write operation to the CPU. When a write error occurs, it is set to 1.

The program status is reset to 0 when cleared.

When an erase command is in error (which occurs if the command entered after the block erase command (20<sub>16</sub>) is not the confirmation command (D0<sub>16</sub>), both the program status and erase status (SR5) are set to 1.

When the program status or erase status = 1, the following commands entered by command write are not accepted.

Also, in one of the following cases, both SR4 and SR5 are set to 1 (command sequence error):

- (1) When the valid command is not entered correctly
- (2) When the data entered in the second bus cycle of lock bit program (77<sub>16</sub>/D0<sub>16</sub>), block erase (20<sub>16</sub>/D0<sub>16</sub>), or erase all unlock blocks (A7<sub>16</sub>/D0<sub>16</sub>) is not the D0<sub>16</sub> or FF<sub>16</sub>. However, if FF<sub>16</sub> is entered, read array is assumed and the command that has been set up in the first bus cycle is canceled.

**Block status after program (SR3)**

If excessive data is written (phenomenon whereby the memory cell becomes depressed which results in data not being read correctly), "1" is set for the program status after-program at the end of the page write operation. In other words, when writing ends successfully, "80<sub>16</sub>" is output; when writing fails, "90<sub>16</sub>" is output; and when excessive data is written, "88<sub>16</sub>" is output.

**Table 1.30.2. Definition of each bit in status register**

Each bit of SRD	Status name	Definition	
		"1"	"0"
SR7 (bit7)	Write state machine (WSM) status	Ready	Busy
SR6 (bit6)	Reserved	-	-
SR5 (bit5)	Erase status	Terminated in error	Terminated normally
SR4 (bit4)	Program status	Terminated in error	Terminated normally
SR3 (bit3)	Block status after program	Terminated in error	Terminated normally
SR2 (bit2)	Reserved	-	-
SR1 (bit1)	Reserved	-	-
SR0 (bit0)	Reserved	-	-



## CPU Rewrite Mode (Flash Memory Version)

**Full Status Check**

By performing full status check, it is possible to know the execution results of erase and program operations. Figure 1.30.8 shows a full status check flowchart and the action to be taken when each error occurs.

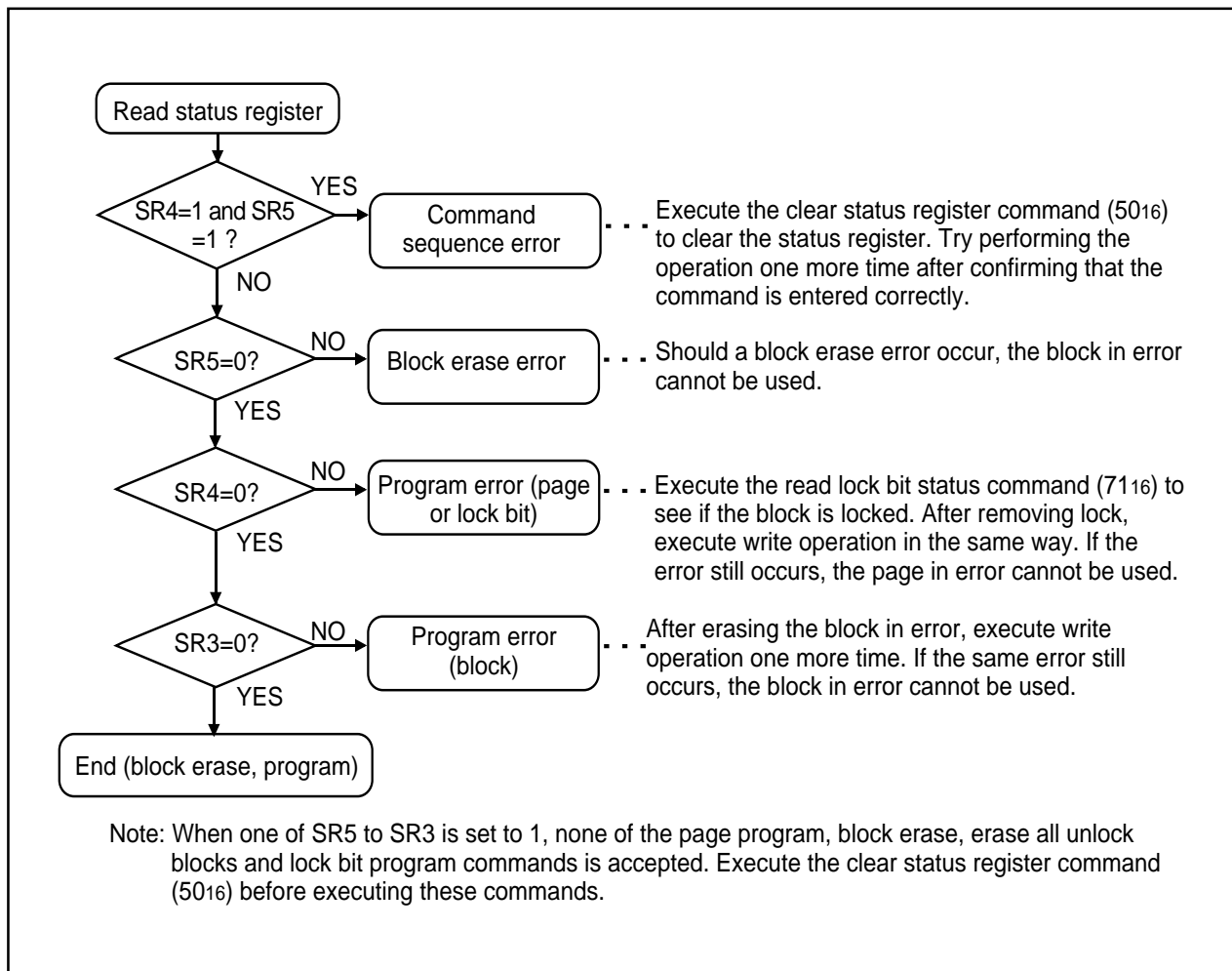


Figure 1.30.8. Full status check flowchart and remedial procedure for errors

## Functions To Inhibit Rewriting Flash Memory Version

To prevent the contents of the flash memory version from being read out or rewritten easily, the device incorporates a ROM code protect function for use in parallel I/O mode and an ID code check function for use in standard serial I/O mode.

### ROM code protect function

The ROM code protect function reading out or modifying the contents of the flash memory version by using the ROM code protect control address (0FFFFFFF<sub>16</sub>) during parallel I/O mode. Figure 1.30.9 shows the ROM code protect control address (0FFFFFFF<sub>16</sub>). (This address exists in the user ROM area.)

If one of the pair of ROM code protect bits is set to 0, ROM code protect is turned on, so that the contents of the flash memory version are protected against readout and modification. ROM code protect is implemented in two levels. If level 2 is selected, the flash memory is protected even against readout by a shipment inspection LSI tester, etc. When an attempt is made to select both level 1 and level 2, level 2 is selected by default.

If both of the two ROM code protect reset bits are set to "00," ROM code protect is turned off, so that the contents of the flash memory version can be read out or modified. Once ROM code protect is turned on, the contents of the ROM code protect reset bits cannot be modified in parallel I/O mode. Use the serial I/O or some other mode to rewrite the contents of the ROM code protect reset bits.

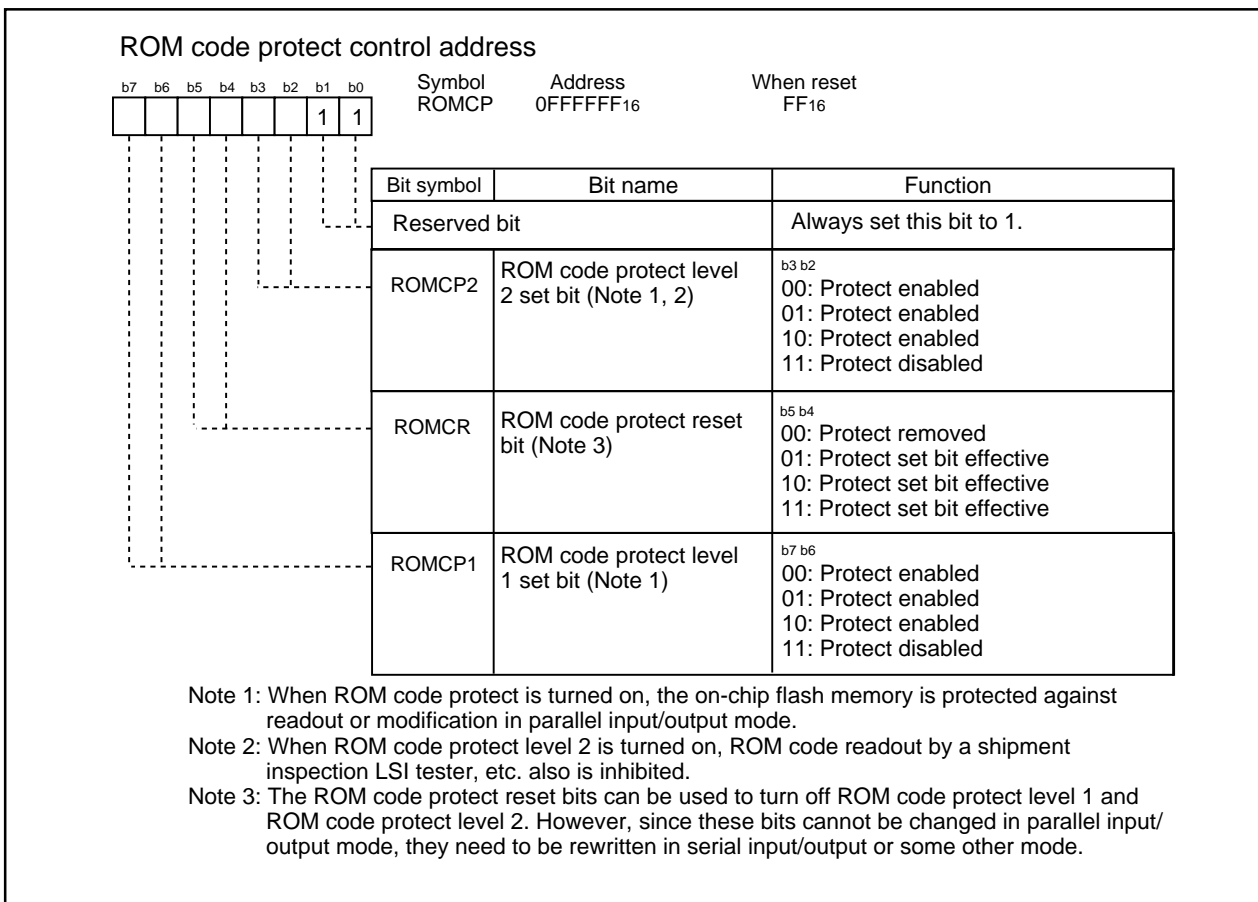


Figure 1.30.9. ROM code protect control address

### ID Code Check Function

Use this function in standard serial I/O mode. When the contents of the flash memory are not blank, the ID code sent from the peripheral unit is compared with the ID code written in the flash memory to see if they match. If the ID codes do not match, the commands sent from the peripheral unit are not accepted. The ID code consists of 8-bit data, the areas of which, beginning with the first byte, are 0FFFFDF<sub>16</sub>, 0FFFFE3<sub>16</sub>, 0FFFFE8<sub>16</sub>, 0FFFFE7<sub>16</sub>, 0FFFFE3<sub>16</sub>, 0FFFFF7<sub>16</sub>, and 0FFFFFB<sub>16</sub>. Write a program which has had the ID code preset at these addresses to the flash memory.

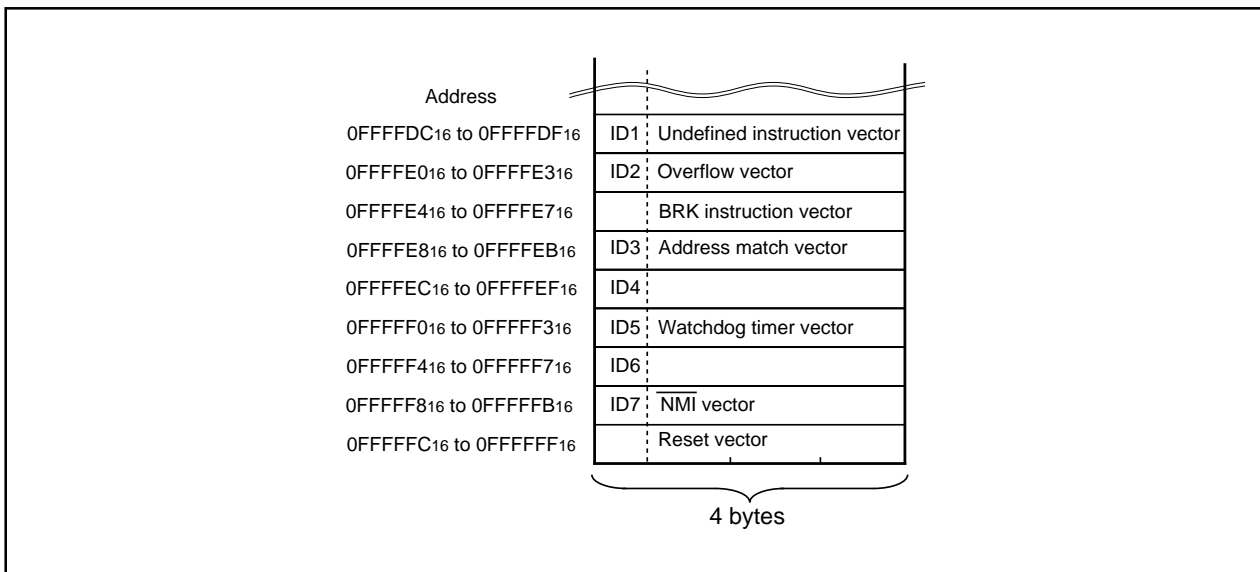


Figure 1.30.10. ID code store addresses

## Parallel I/O Mode

In this mode, the M16C/80 (flash memory version) operates in a manner similar to the flash memory M5M29FB/T800 from Mitsubishi. Since there are some differences with regard to the functions not available with the microcomputer and matters related to memory capacity, the M16C/80 cannot be programmed by a programmer for the flash memory.

Use an exclusive programmer supporting M16C/80 (flash memory version).

Refer to the instruction manual of each programmer maker for the details of use.

## User ROM and Boot ROM Areas

In parallel I/O mode, the user ROM and boot ROM areas shown in Figure 1.29.3 can be rewritten. Both areas of flash memory can be operated on in the same way.

Program and block erase operations can be performed in the user ROM area. The user ROM area and its blocks are shown in Figure 1.29.3.

The boot ROM area is 8 Kbytes in size. In parallel I/O mode, it is located at addresses 0FFE000<sub>16</sub> through 0FFFFFF<sub>16</sub>. Make sure program and block erase operations are always performed within this address range. (Access to any location outside this address range is prohibited.)

In the boot ROM area, an erase block operation is applied to only one 8 Kbyte block. The boot ROM area has had a standard serial I/O mode control program stored in it when shipped from the Mitsubishi factory. Therefore, using the device in standard serial input/output mode, you do not need to write to the boot ROM area.

**Pin functions (Flash memory standard serial I/O mode)**

Pin	Name	I/O	Description
Vcc, Vss	Power input		Apply 4.2V to 5.5V to Vcc pin and 0 V to Vss pin.
CNVss	CNVss	I	Connect to Vcc pin.
RESET	Reset input	I	Reset input pin. While reset is "L" level, a 20 cycle or longer clock must be input to XIN pin.
XIN	Clock input	I	Connect a ceramic resonator or crystal oscillator between XIN and XOUT pins. To input an externally generated clock, input it to XIN pin and open XOUT pin.
XOUT	Clock output	O	
BYTE	BYTE	I	Connect this pin to Vcc or Vss.
AVcc, AVss	Analog power supply input	I	Connect AVSS to Vss and AVcc to Vcc, respectively.
VREF	Reference voltage input	I	Enter the reference voltage for A-D converter from this pin.
P00 to P07	Input port P0	I	Input "H" or "L" level signal or open.
P10 to P17	Input port P1	I	Input "H" or "L" level signal or open.
P20 to P27	Input port P2	I	Input "H" or "L" level signal or open.
P30 to P37	Input port P3	I	Input "H" or "L" level signal or open.
P40 to P47	Input port P4	I	Input "H" or "L" level signal or open.
P51 to P54, P56, P57	Input port P5	I	Input "H" or "L" level signal or open.
P50	CE input	I	Input "H" level signal.
P55	EPM input	I	Input "L" level signal.
P60 to P63	Input port P6	I	Input "H" or "L" level signal or open.
P64	BUSY output	O	Standard serial mode 1: BUSY signal output pin Standard serial mode 2: Monitors the program operation check
P65	SCLK input	I	Standard serial mode 1: Serial clock input pin Standard serial mode 2: Input "L" level signal.
P66	RxD input	I	Serial data input pin
P67	TxD output	O	Serial data output pin
P70 to P77	Input port P7	I	Input "H" or "L" level signal or open.
P80 to P84, P86, P87	Input port P8	I	Input "H" or "L" level signal or open.
P85	NMI input	I	Connect this pin to Vcc.
P90 to P97	Input port P9	I	Input "H" or "L" level signal or open.
P100 to P107	Input port P10	I	Input "H" or "L" level signal or open.
P110 to P114	Input port P11	I	Input "H" or "L" level signal or open. (Note)
P120 to P127	Input port P12	I	Input "H" or "L" level signal or open. (Note)
P130 to P137	Input port P13	I	Input "H" or "L" level signal or open. (Note)
P140 to P146	Input port P14	I	Input "H" or "L" level signal or open. (Note)
P150 to P157	Input port P15	I	Input "H" or "L" level signal or open. (Note)

Note: Port P11 to P15 exist in 144-pin version.

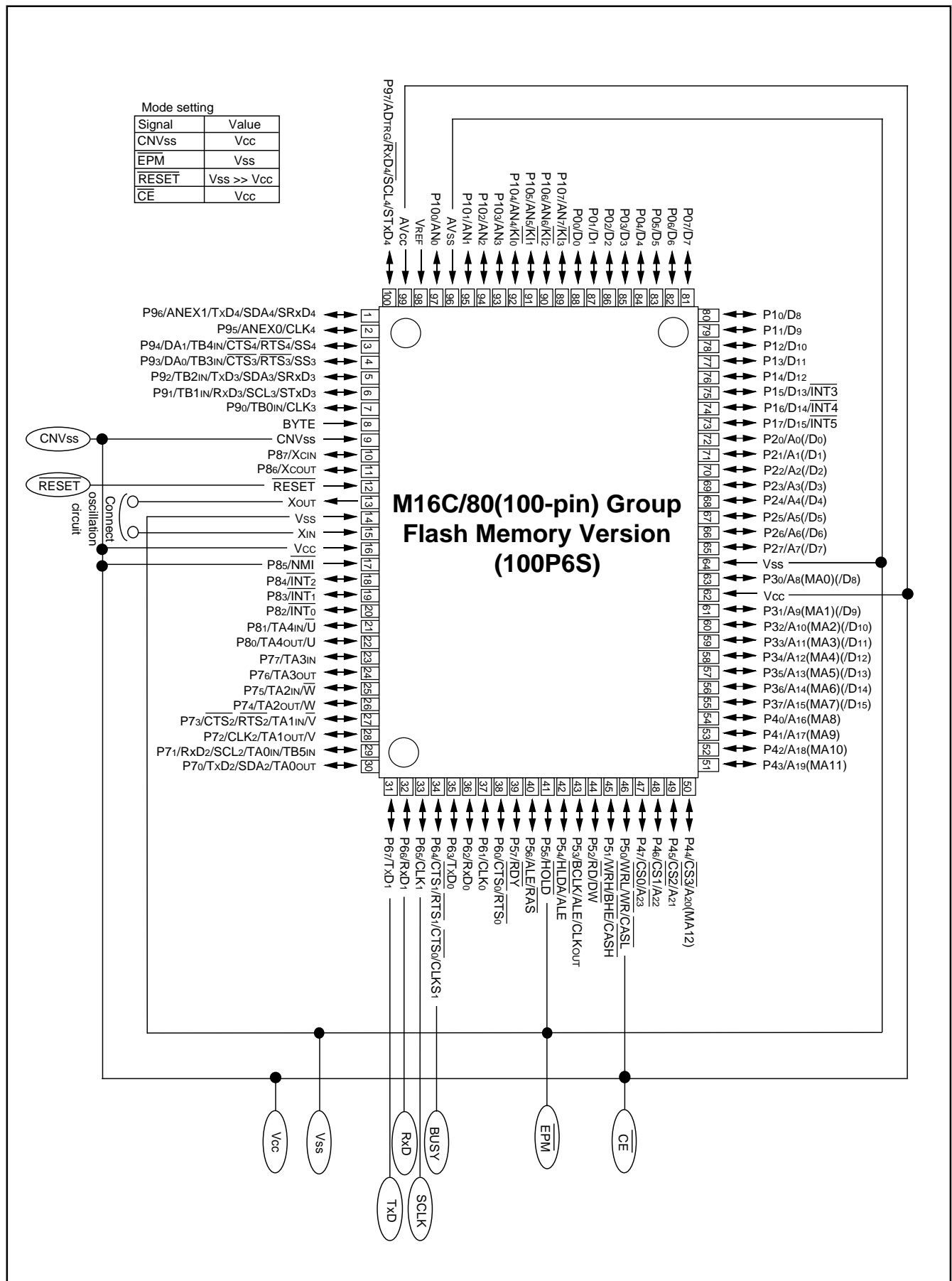


Figure 1.31.1. Pin connections for standard serial I/O mode (1)

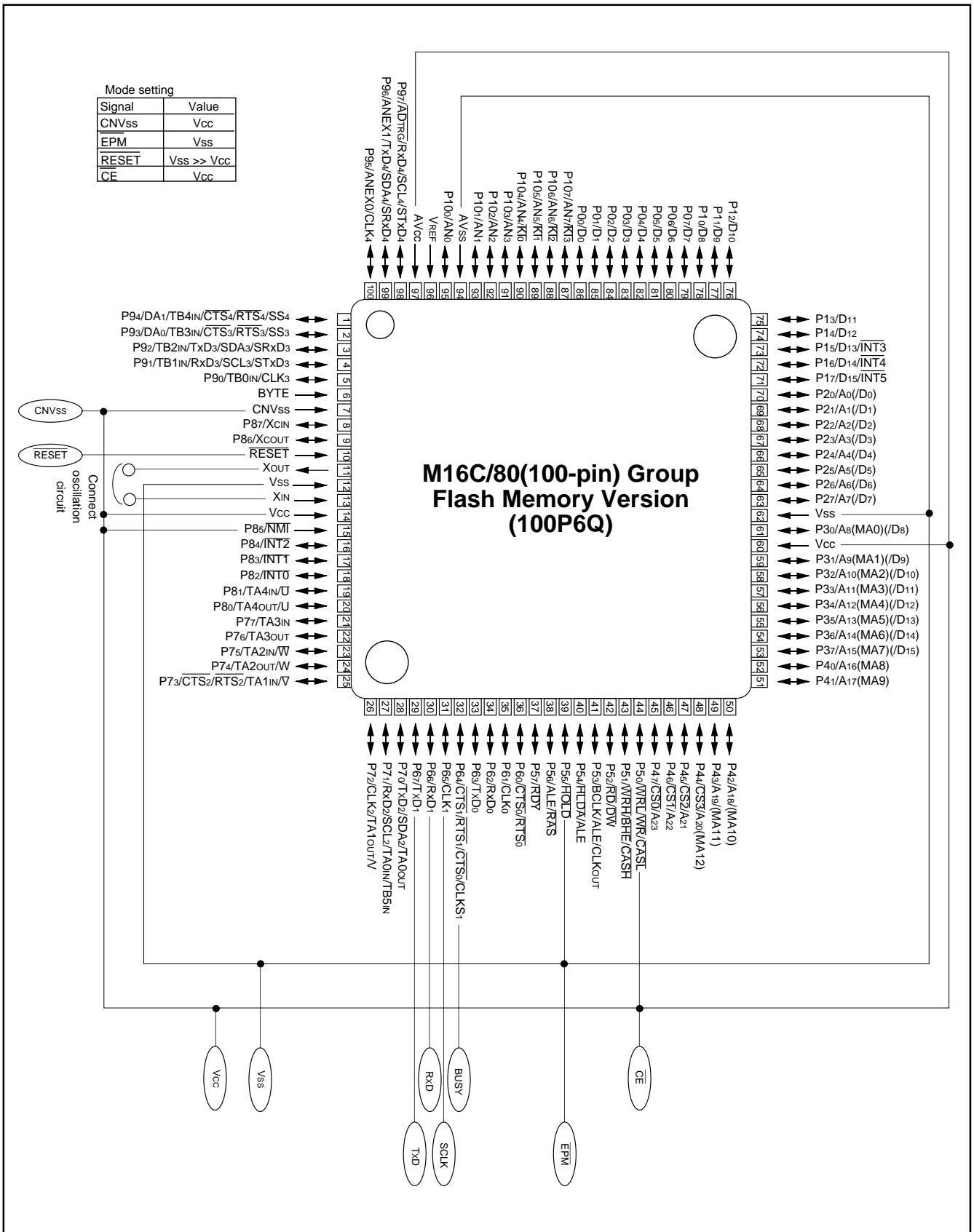


Figure 1.31.2. Pin connections for standard serial I/O mode (2)





## Standard serial I/O mode

The standard serial I/O mode inputs and outputs the software commands, addresses and data needed to operate (read, program, erase, etc.) the internal flash memory. This I/O is serial. There are actually two standard serial I/O modes: mode 1, which is clock synchronized, and mode 2, which is asynchronous. Both modes require a purpose-specific peripheral unit.

The standard serial I/O mode is different from the parallel I/O mode in that the CPU controls flash memory rewrite (uses the CPU's rewrite mode), rewrite data input and so forth. It is started when the reset is released, which is done when the P50 ( $\overline{CE}$ ) pin is "H" level, the P55 ( $\overline{EPM}$ ) pin "L" level and the CNVss pin "H" level. (In the ordinary command mode, set CNVss pin to "L" level.)

This control program is written in the boot ROM area when the product is shipped from Mitsubishi. Accordingly, make note of the fact that the standard serial I/O mode cannot be used if the boot ROM area is rewritten in the parallel I/O mode. Figures 1.31.1 and 1.31.3 show the pin connections for the standard serial I/O mode. Serial data I/O uses UART1 and transfers the data serially in 8-bit units. Standard serial I/O switches between mode 1 (clock synchronized) and mode 2 (clock asynchronous) according to the level of CLK1 pin when the reset is released.

To use standard serial I/O mode 1 (clock synchronized), set the CLK1 pin to "H" level and release the reset. The operation uses the four UART1 pins CLK1, RxD1, TxD1 and RTS1 (BUSY). The CLK1 pin is the transfer clock input pin through which an external transfer clock is input. The TxD1 pin is for CMOS output. The RTS1 (BUSY) pin outputs an "L" level when ready for reception and an "H" level when reception starts.

To use standard serial I/O mode 2 (clock asynchronous), set the CLK1 pin to "L" level and release the reset. The operation uses the two UART1 pins RxD1 and TxD1.

In the standard serial I/O mode, only the user ROM area indicated in Figure 1.31.20 can be rewritten. The boot ROM cannot.

In the standard serial I/O mode, a 7-byte ID code is used. When there is data in the flash memory, commands sent from the peripheral unit (programmer) are not accepted unless the ID code matches.

### Overview of standard serial I/O mode 1 (clock synchronized)

In standard serial I/O mode 1, software commands, addresses and data are input and output between the MCU and peripheral units (serial programmer, etc.) using 4-wire clock-synchronized serial I/O (UART1).

Standard serial I/O mode 1 is engaged by releasing the reset with the P65 (CLK1) pin "H" level.

In reception, software commands, addresses and program data are synchronized with the rise of the transfer clock that is input to the CLK1 pin, and are then input to the MCU via the RxD1 pin. In transmission, the read data and status are synchronized with the fall of the transfer clock, and output from the TxD1 pin.

The TxD1 pin is for CMOS output. Transfer is in 8-bit units with LSB first.

When busy, such as during transmission, reception, erasing or program execution, the RTS1 (BUSY) pin is "H" level. Accordingly, always start the next transfer after the RST1 (BUSY) pin is "L" level.

Also, data and status registers in memory can be read after inputting software commands. Status, such as the operating state of the flash memory or whether a program or erase operation ended successfully or not, can be checked by reading the status register. Here following are explained software commands, status registers, etc.

## Software Commands

Table 1.31.1 lists software commands. In the standard serial I/O mode 1, erase operations, programs and reading are controlled by transferring software commands via the RxD1 pin. Software commands are explained here below.

**Table 1.31.1. Software commands (Standard serial I/O mode 1)**

	Control command	1st byte transfer	2nd byte	3rd byte	4th byte	5th byte	6th byte		When ID is not verified
1	Page read	FF <sub>16</sub>	Address (middle)	Address (high)	Data output	Data output	Data output	Data output to 259th byte	Not acceptable
2	Page program	41 <sub>16</sub>	Address (middle)	Address (high)	Data input	Data input	Data input	Data input to 259th byte	Not acceptable
3	Block erase	20 <sub>16</sub>	Address (middle)	Address (high)	D0 <sub>16</sub>				Not acceptable
4	Erase all unlocked blocks	A7 <sub>16</sub>	D0 <sub>16</sub>						Not acceptable
5	Read status register	70 <sub>16</sub>	SRD output	SRD1 output					Acceptable
6	Clear status register	50 <sub>16</sub>							Not acceptable
7	Read lock bit status	71 <sub>16</sub>	Address (middle)	Address (high)	Lock bit data output				Not acceptable
8	Lock bit program	77 <sub>16</sub>	Address (middle)	Address (high)	D0 <sub>16</sub>				Not acceptable
9	Lock bit enable	7A <sub>16</sub>							Not acceptable
10	Lock bit disable	75 <sub>16</sub>							Not acceptable
11	Code processing function	F5 <sub>16</sub>	Address (low)	Address (middle)	Address (high)	ID size	ID1	To ID7	Acceptable
12	Download function	FA <sub>16</sub>	Size (low)	Size (high)	Check-sum	Data input	To required number of times		Not acceptable
13	Version data output function	FB <sub>16</sub>	Version data output	Version data output	Version data output	Version data output	Version data output	Version data output to 9th byte	Acceptable
14	Boot ROM area output function	FC <sub>16</sub>	Address (middle)	Address (high)	Data output	Data output	Data output	Data output to 259th byte	Not acceptable
15	Read check data	FD <sub>16</sub>	Check data (low)	Check data (high)					Not acceptable

Note 1: Shading indicates transfer from flash memory microcomputer to peripheral unit. All other data is transferred from the peripheral unit to the flash memory microcomputer.

Note 2: SRD refers to status register data. SRD1 refers to status register data1 .

Note 3: All commands can be accepted when the flash memory is totally blank.

### Page Read Command

This command reads the specified page (256 bytes) in the flash memory sequentially one byte at a time. Execute the page read command as explained here following.

- (1) Transfer the "FF16" command code with the 1st byte.
- (2) Transfer addresses A8 to A15 and A16 to A23 with the 2nd and 3rd bytes respectively.
- (3) From the 4th byte onward, data (D0–D7) for the page (256 bytes) specified with addresses A8 to A23 will be output sequentially from the smallest address first in sync with the rise of the clock.

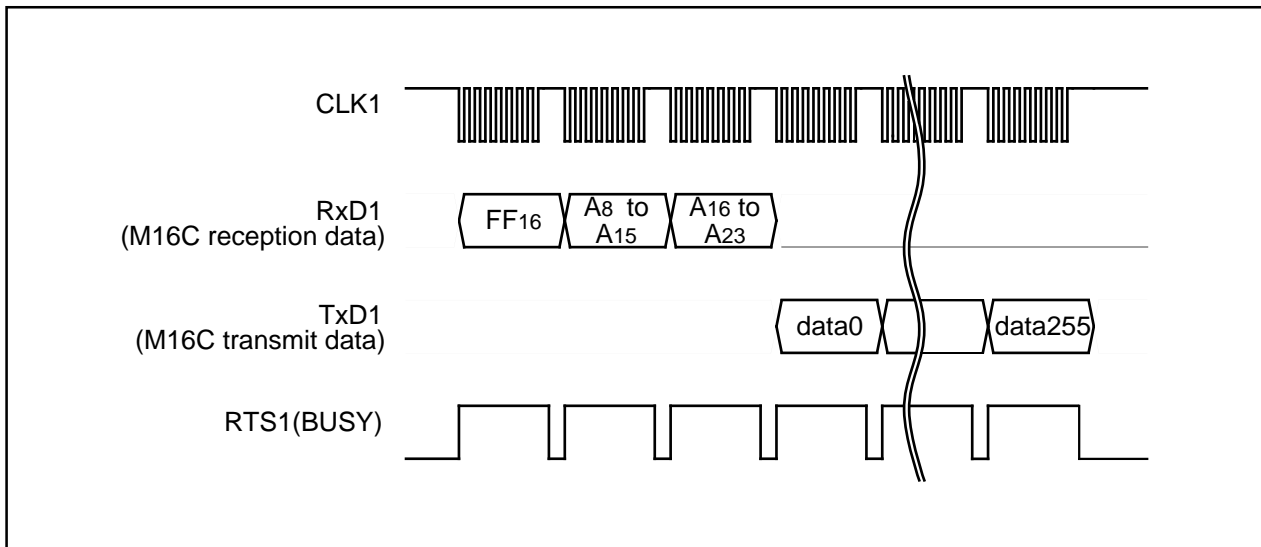


Figure 1.31.4. Timing for page read

### Read Status Register Command

This command reads status information. When the "7016" command code is sent with the 1st byte, the contents of the status register (SRD) specified with the 2nd byte and the contents of status register 1 (SRD1) specified with the 3rd byte are read.

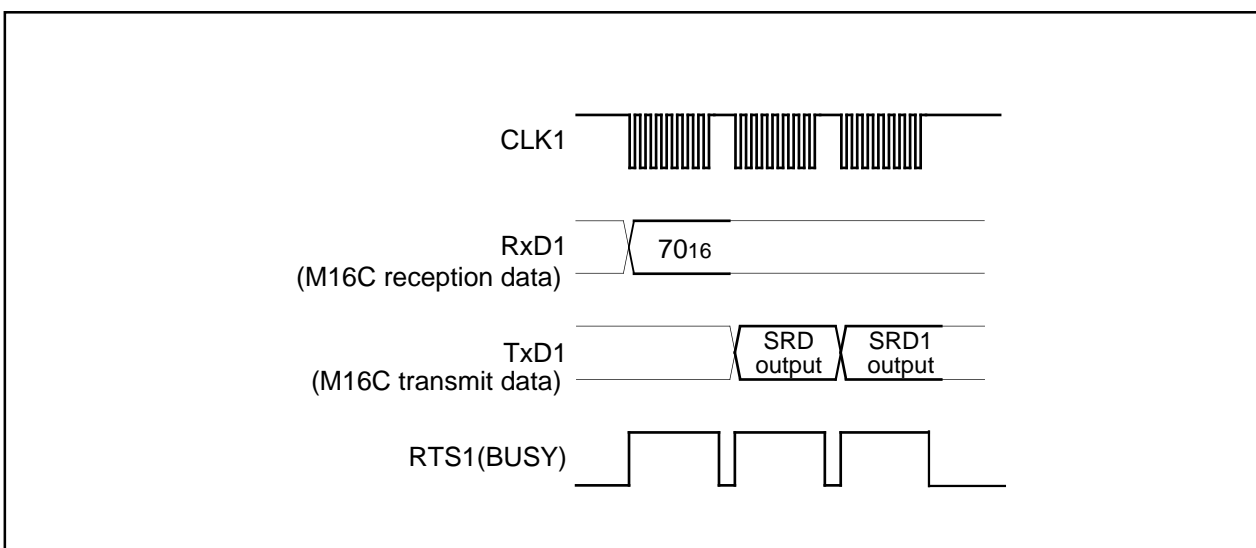


Figure 1.31.5. Timing for reading the status register

### Clear Status Register Command

This command clears the bits (SR3–SR5) which are set when the status register operation ends in error. When the “50<sub>16</sub>” command code is sent with the 1st byte, the aforementioned bits are cleared. When the clear status register operation ends, the RTS<sub>1</sub> (BUSY) signal changes from the “H” to the “L” level.

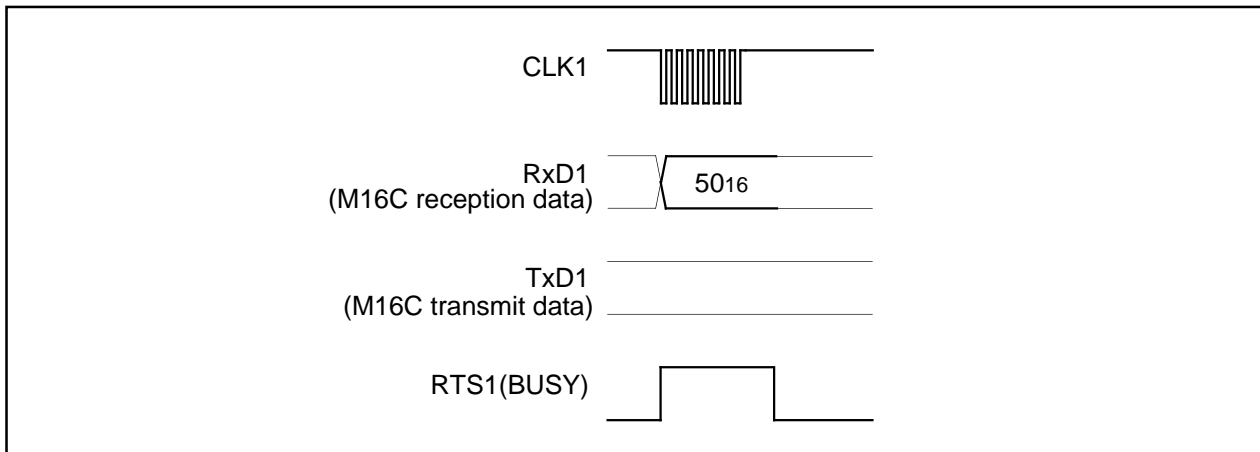


Figure 1.31.6. Timing for clearing the status register

### Page Program Command

This command writes the specified page (256 bytes) in the flash memory sequentially one byte at a time. Execute the page program command as explained here following.

- (1) Transfer the “41<sub>16</sub>” command code with the 1st byte.
- (2) Transfer addresses A<sub>8</sub> to A<sub>15</sub> and A<sub>16</sub> to A<sub>23</sub> with the 2nd and 3rd bytes respectively.
- (3) From the 4th byte onward, as write data (D<sub>0</sub>–D<sub>7</sub>) for the page (256 bytes) specified with addresses A<sub>8</sub> to A<sub>23</sub> is input sequentially from the smallest address first, that page is automatically written.

When reception setup for the next 256 bytes ends, the RTS<sub>1</sub> (BUSY) signal changes from the “H” to the “L” level. The result of the page program can be known by reading the status register. For more information, see the section on the status register.

Each block can be write-protected with the lock bit. For more information, see the section on the data protection function. Additional writing is not allowed with already programmed pages.

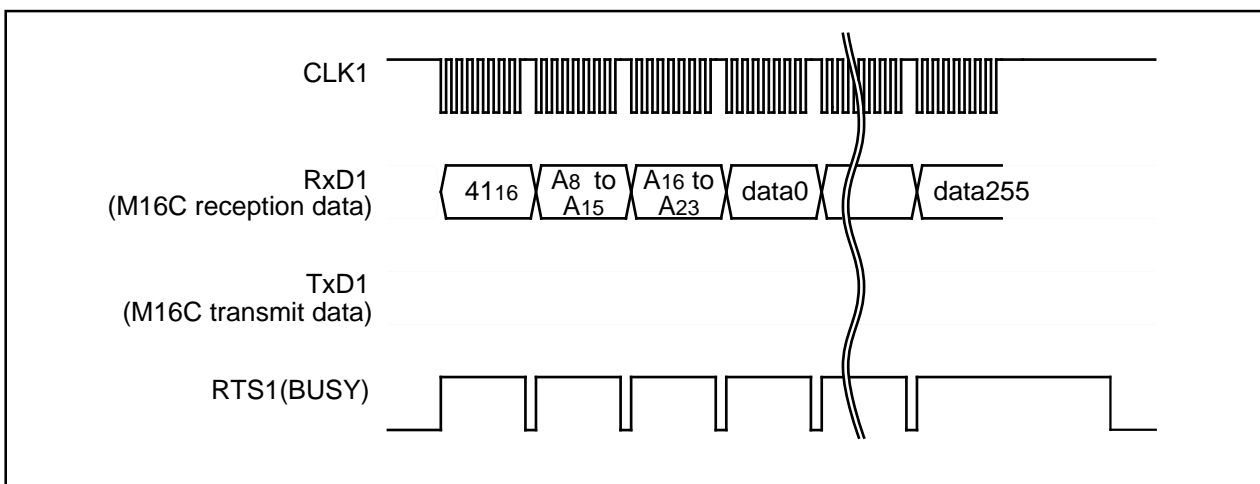


Figure 1.31.7. Timing for the page program

### Block Erase Command

This command erases the data in the specified block. Execute the block erase command as explained here following.

- (1) Transfer the "20<sub>16</sub>" command code with the 1st byte.
- (2) Transfer addresses A<sub>8</sub> to A<sub>15</sub> and A<sub>16</sub> to A<sub>23</sub> with the 2nd and 3rd bytes respectively.
- (3) Transfer the verify command code "D0<sub>16</sub>" with the 4th byte. With the verify command code, the erase operation will start for the specified block in the flash memory. Write the highest address of the specified block for addresses A<sub>16</sub> to A<sub>23</sub>.

When block erasing ends, the RTS<sub>1</sub> (BUSY) signal changes from the "H" to the "L" level. After block erase ends, the result of the block erase operation can be known by reading the status register. For more information, see the section on the status register.

Each block can be erase-protected with the lock bit. For more information, see the section on the data protection function.

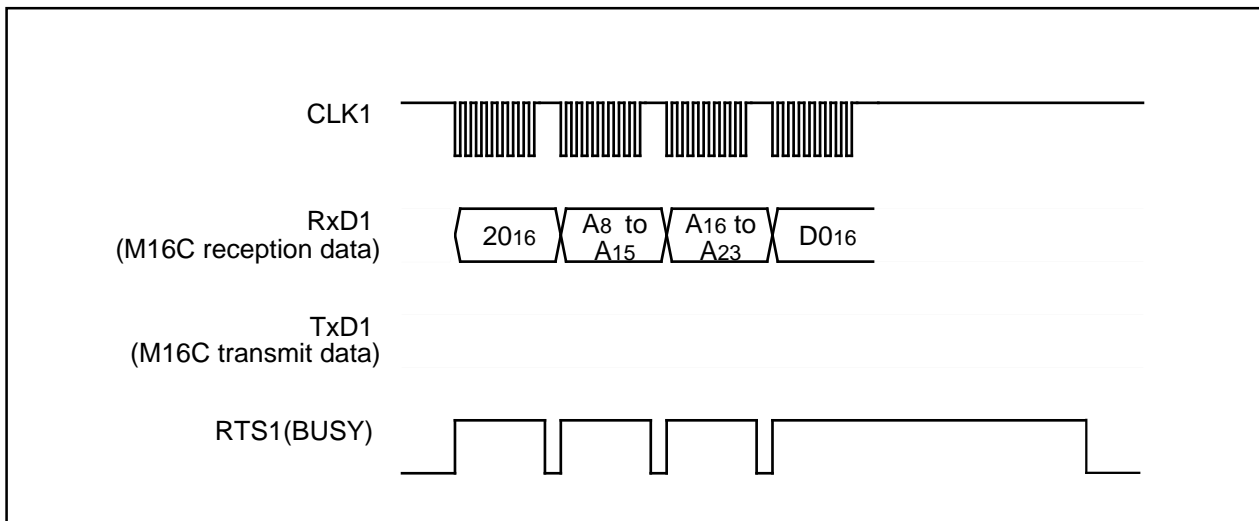


Figure 1.31.8. Timing for block erasing

### Erase All Unlocked Blocks Command

This command erases the content of all blocks. Execute the erase all unlocked blocks command as explained here following.

- (1) Transfer the "A7<sub>16</sub>" command code with the 1st byte.
- (2) Transfer the verify command code "D0<sub>16</sub>" with the 2nd byte. With the verify command code, the erase operation will start and continue for all blocks in the flash memory.

When block erasing ends, the RTS<sub>1</sub> (BUSY) signal changes from the "H" to the "L" level. The result of the erase operation can be known by reading the status register. Each block can be erase-protected with the lock bit. For more information, see the section on the data protection function.

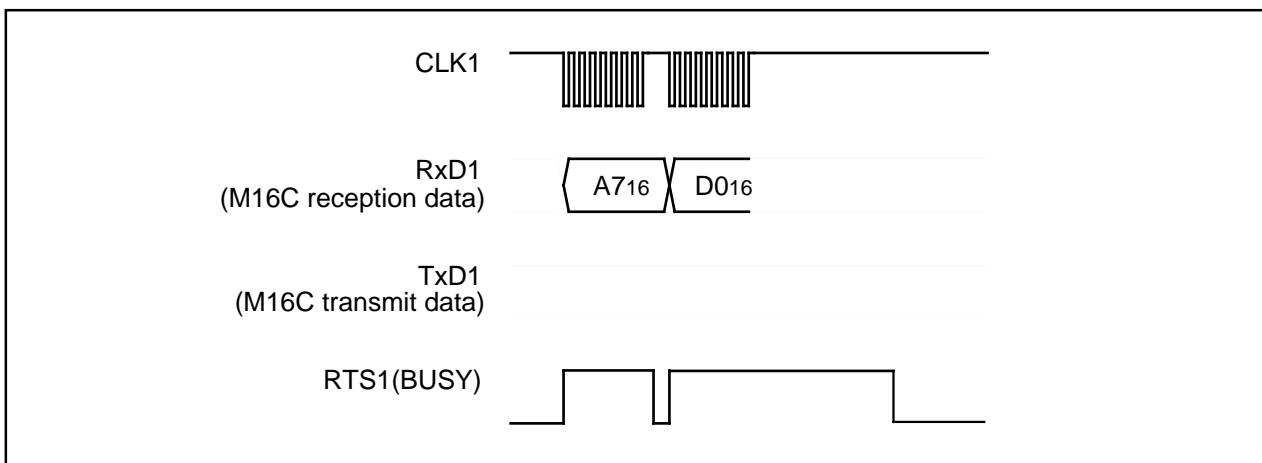


Figure 1.31.9. Timing for erasing all unlocked blocks

### Lock Bit Program Command

This command writes "0" (lock) for the lock bit of the specified block. Execute the lock bit program command as explained here following.

- (1) Transfer the "77<sub>16</sub>" command code with the 1st byte.
- (2) Transfer addresses A8 to A15 and A16 to A23 with the 2nd and 3rd bytes respectively.
- (3) Transfer the verify command code "D0<sub>16</sub>" with the 4th byte. With the verify command code, "0" is written for the lock bit of the specified block. Write the highest address of the specified block for addresses A8 to A23.

When writing ends, the RTS<sub>1</sub> (BUSY) signal changes from the "H" to the "L" level. Lock bit status can be read with the read lock bit status command. For information on the lock bit function, reset procedure and so on, see the section on the data protection function.

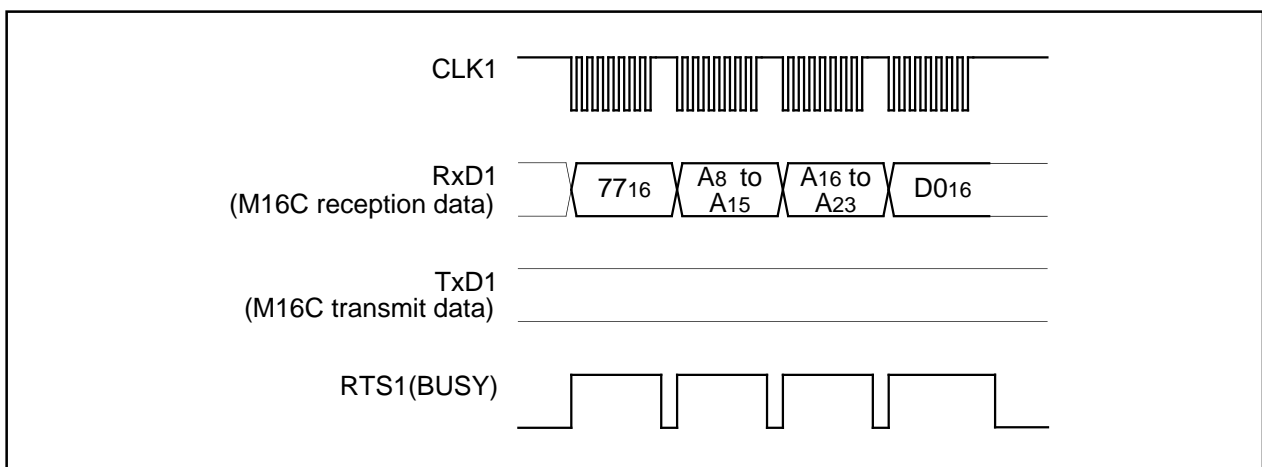


Figure 1.31.10. Timing for the lock bit program

### Read Lock Bit Status Command

This command reads the lock bit status of the specified block. Execute the read lock bit status command as explained here following.

- (1) Transfer the "7116" command code with the 1st byte.
- (2) Transfer addresses A8 to A15 and A16 to A23 with the 2nd and 3rd bytes respectively.
- (3) The lock bit data of the specified block is output with the 4th byte. The 6th bit (D6) of output data is the lock bit data. Write the highest address of the specified block for addresses A8 to A23.

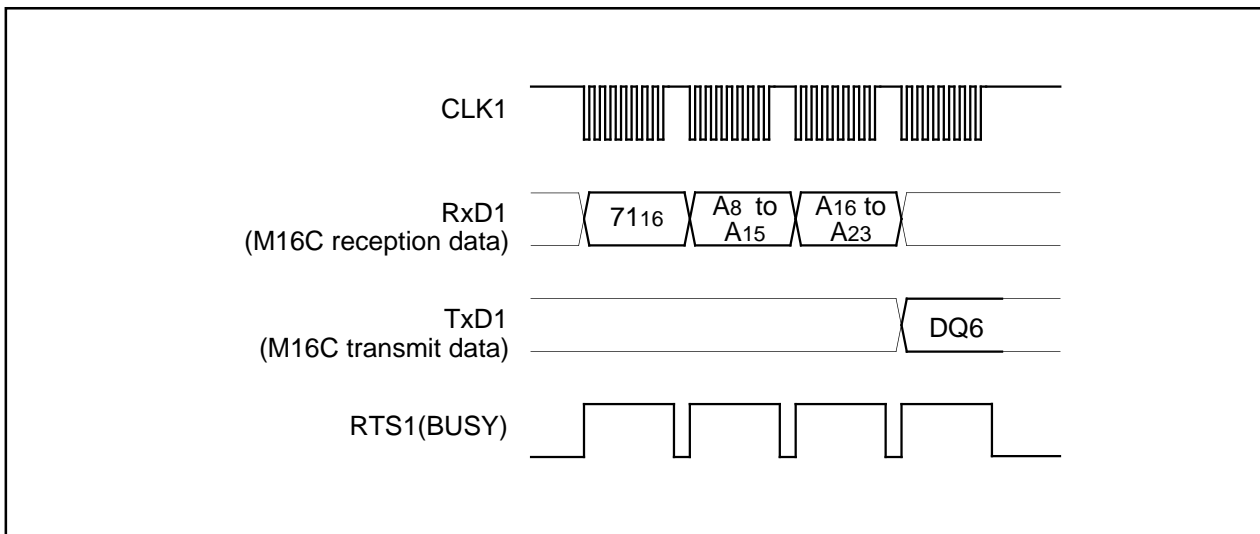


Figure 1.31.11. Timing for reading lock bit status

### Lock Bit Enable Command

This command enables the lock bit in blocks whose bit was disabled with the lock bit disable command. The command code "7A16" is sent with the 1st byte of the serial transmission. This command only enables the lock bit function; it does not set the lock bit itself.

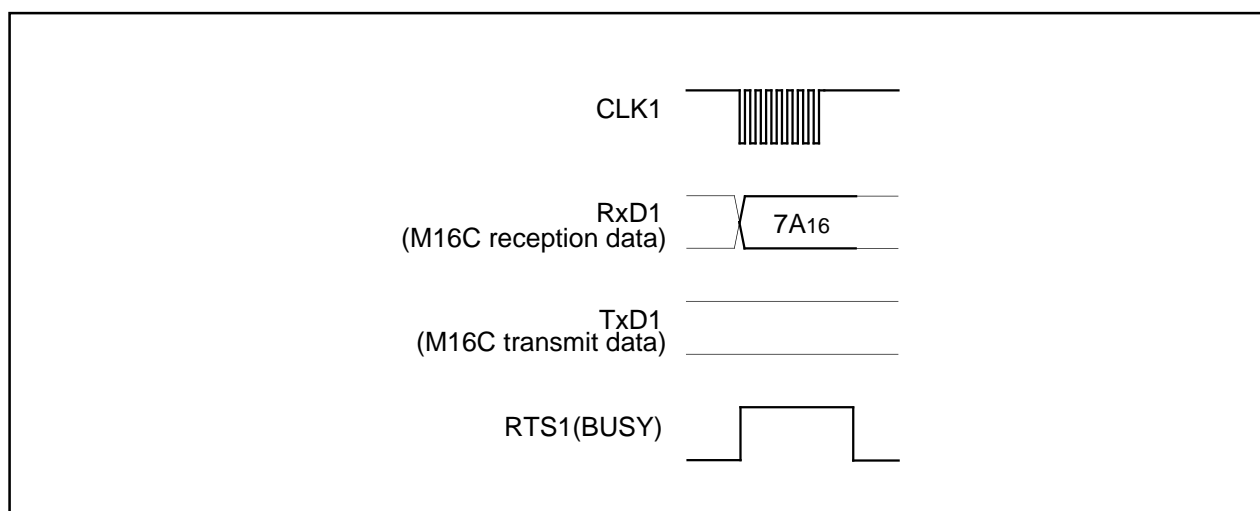


Figure 1.31.12. Timing for enabling the lock bit



### Lock Bit Disable Command

This command disables the lock bit. The command code "7516" is sent with the 1st byte of the serial transmission. This command only disables the lock bit function; it does not set the lock bit itself. However, if an erase command is executed after executing the lock bit disable command, "0" (locked) lock bit data is set to "1" (unlocked) after the erase operation ends. In any case, after the reset is cancelled, the lock bit is enabled.

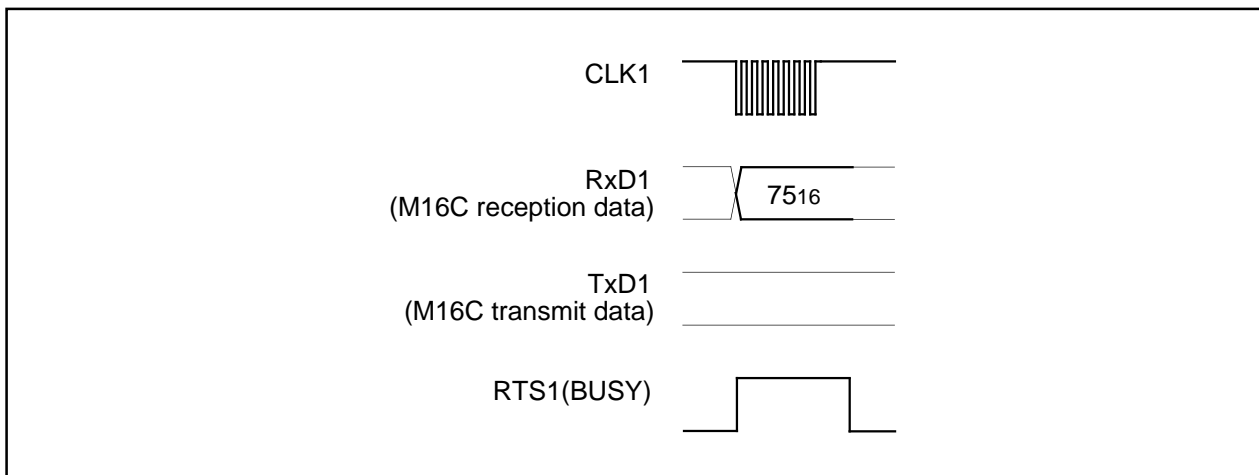


Figure 1.31.13. Timing for disabling the lock bit

### Download Command

This command downloads a program to the RAM for execution. Execute the download command as explained here following.

- (1) Transfer the "FA16" command code with the 1st byte.
- (2) Transfer the program size with the 2nd and 3rd bytes.
- (3) Transfer the check sum with the 4th byte. The check sum is added to all data sent with the 5th byte onward.
- (4) The program to execute is sent with the 5th byte onward.

When all data has been transmitted, if the check sum matches, the downloaded program is executed. The size of the program will vary according to the internal RAM.

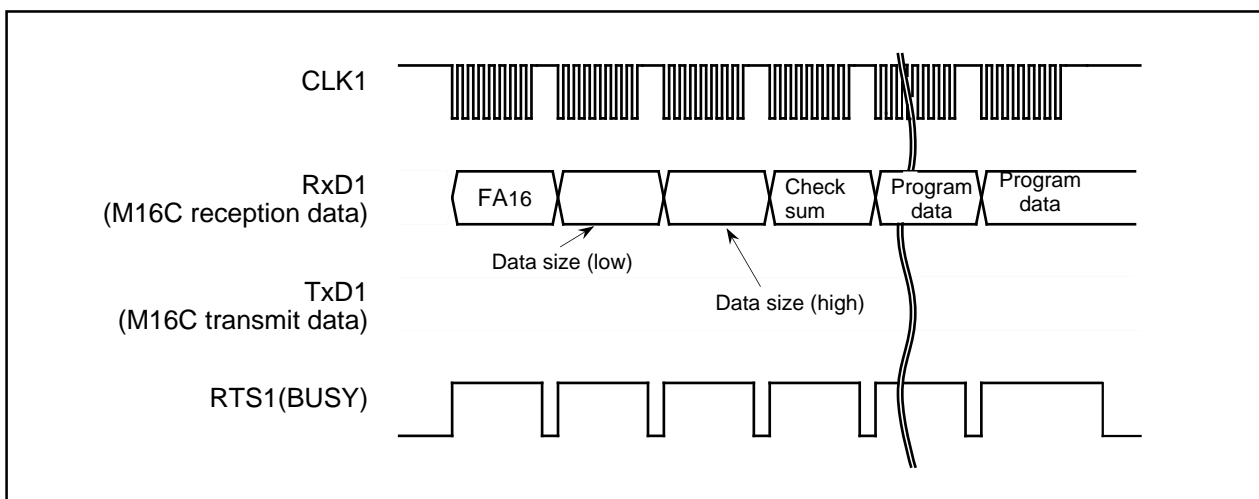


Figure 1.31.14. Timing for download

### Version Information Output Command

This command outputs the version information of the control program stored in the boot area. Execute the version information output command as explained here following.

- (1) Transfer the "FB16" command code with the 1st byte.
- (2) The version information will be output from the 2nd byte onward. This data is composed of 8 ASCII code characters.

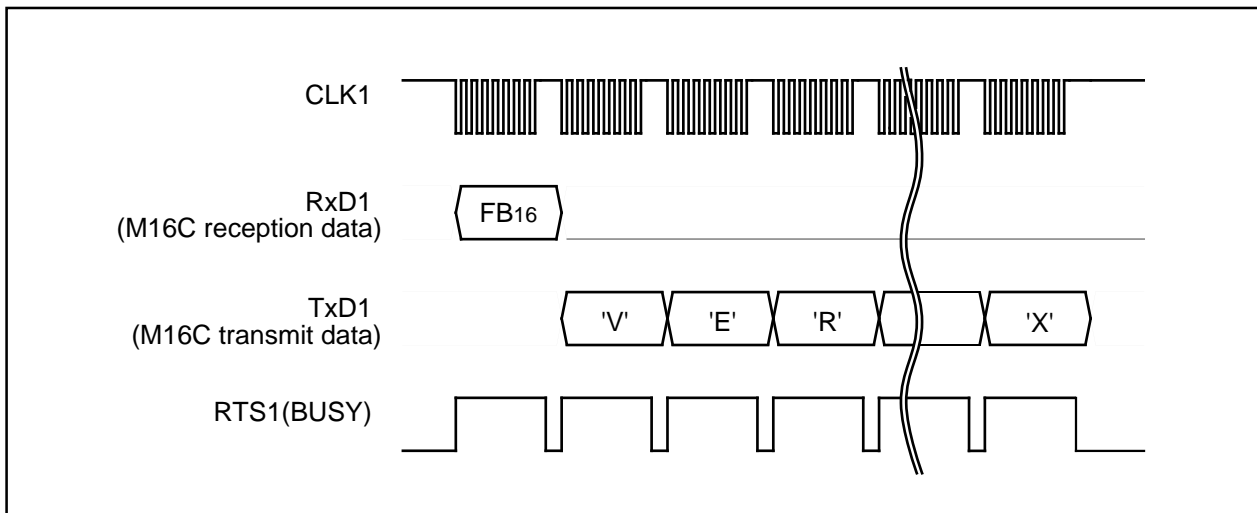


Figure 1.31.15. Timing for version information output

### Boot ROM Area Output Command

This command outputs the control program stored in the boot ROM area in one page blocks (256 bytes). Execute the boot ROM area output command as explained here following.

- (1) Transfer the "FC16" command code with the 1st byte.
- (2) Transfer addresses A8 to A15 and A16 to A23 with the 2nd and 3rd bytes respectively.
- (3) From the 4th byte onward, data (D0–D7) for the page (256 bytes) specified with addresses A8 to A23 will be output sequentially from the smallest address first, in sync with the rise of the clock.

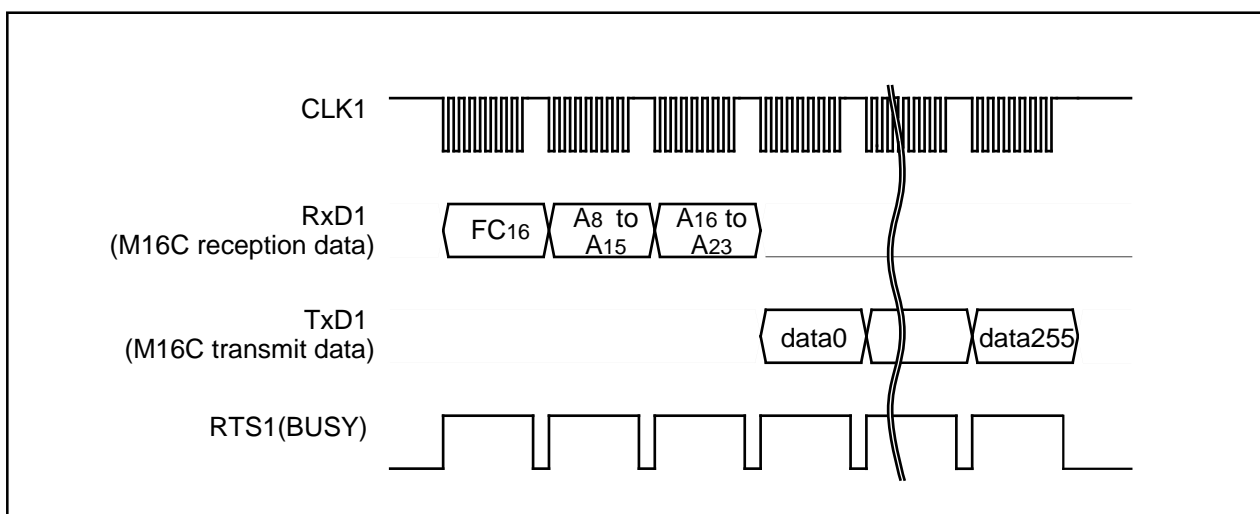


Figure 1.31.16. Timing for boot ROM area output

### ID Check

This command checks the ID code. Execute the boot ID check command as explained here following.

- (1) Transfer the "F5<sub>16</sub>" command code with the 1st byte.
- (2) Transfer addresses A<sub>0</sub> to A<sub>7</sub>, A<sub>8</sub> to A<sub>15</sub> and A<sub>16</sub> to A<sub>23</sub> of the 1st byte of the ID code with the 2nd, 3rd and 4th bytes respectively.
- (3) Transfer the number of data sets of the ID code with the 5th byte.
- (4) The ID code is sent with the 6th byte onward, starting with the 1st byte of the code.

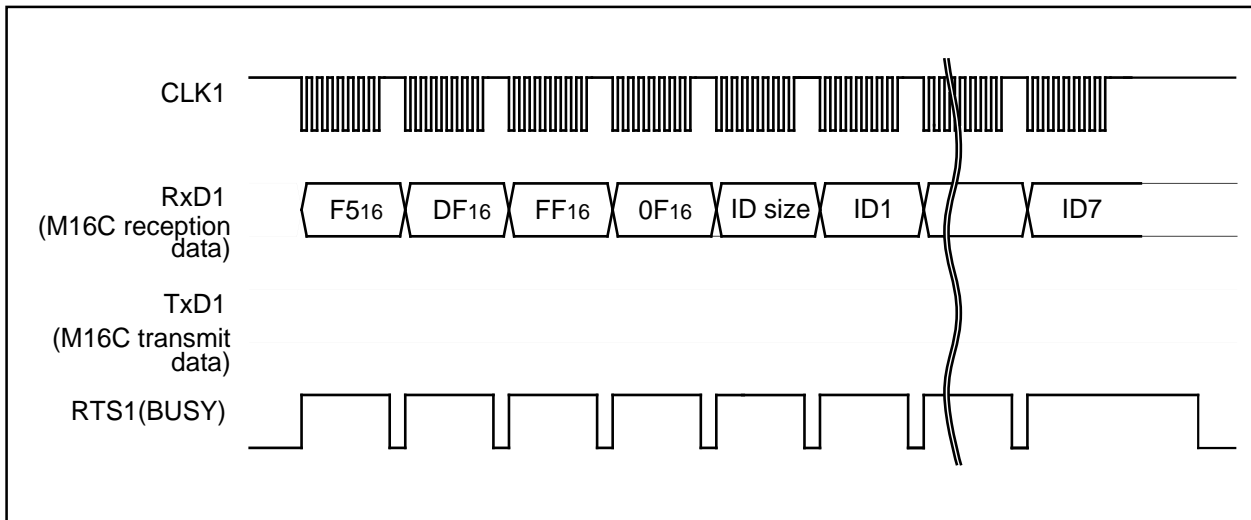


Figure 1.31.17. Timing for the ID check

### ID Code

When the flash memory is not blank, the ID code sent from the peripheral units and the ID code written in the flash memory are compared to see if they match. If the codes do not match, the command sent from the peripheral units is not accepted. An ID code contains 8 bits of data. Area is, from the 1st byte, addresses 0FFFFDF<sub>16</sub>, 0FFFFE3<sub>16</sub>, 0FFFFEB<sub>16</sub>, 0FFFFEF<sub>16</sub>, 0FFFFF3<sub>16</sub>, 0FFFFF7<sub>16</sub> and 0FFFFFB<sub>16</sub>. Write a program into the flash memory, which already has the ID code set for these addresses.

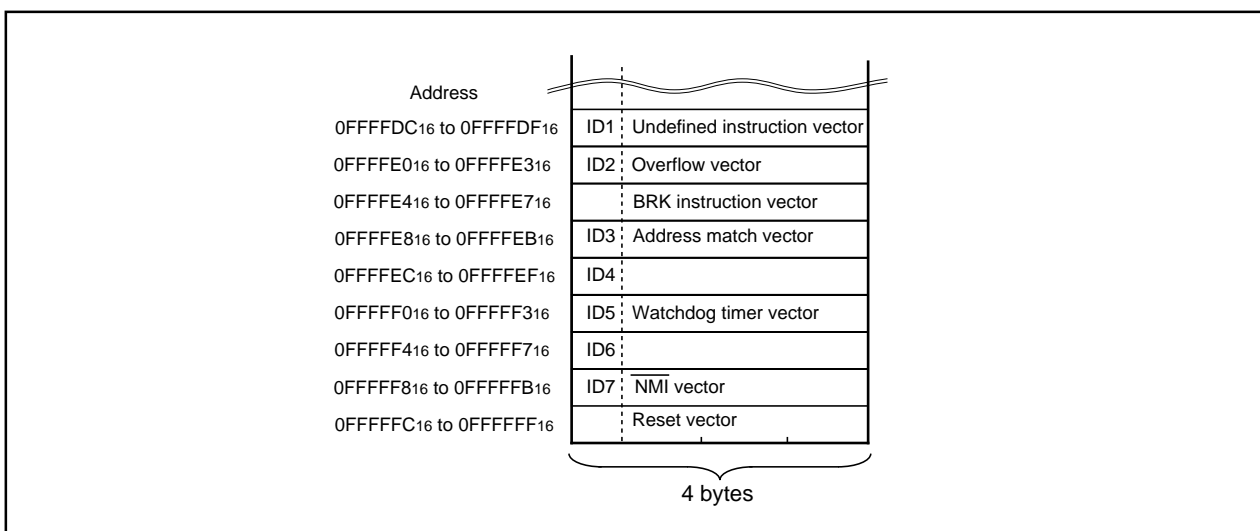


Figure 1.31.18. ID code storage addresses

### Read Check Data

This command reads the check data that confirms that the write data, which was sent with the page program command, was successfully received.

- (1) Transfer the "FD16" command code with the 1st byte.
- (2) The check data (low) is received with the 2nd byte and the check data (high) with the 3rd.

To use this read check data command, first execute the command and then initialize the check data. Next, execute the page program command the required number of times. After that, when the read check command is executed again, the check data for all of the read data that was sent with the page program command during this time is read. The check data is the result of CRC operation of write data.

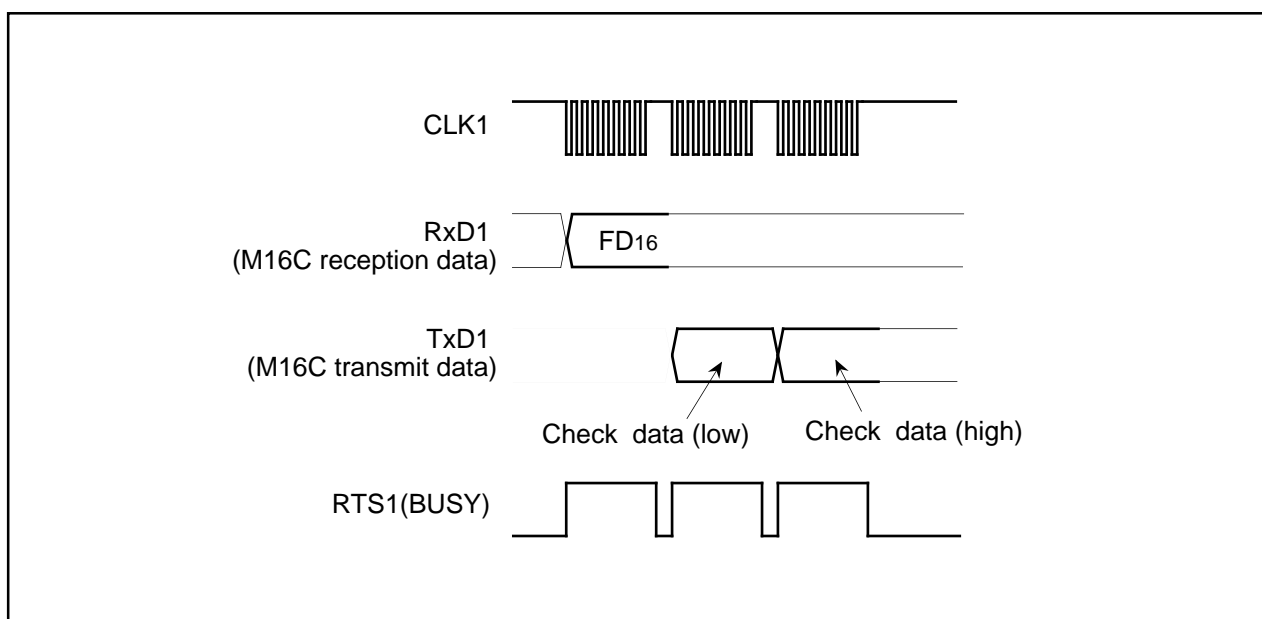


Figure 1.31.19. Timing for the read check data

### Data Protection (Block Lock)

Each of the blocks in Figure 1.31.20 have a nonvolatile lock bit that specifies protection (block lock) against erasing/writing. A block is locked (writing “0” for the lock bit) with the lock bit program command. Also, the lock bit of any block can be read with the read lock bit status command.

Block lock disable/enable is determined by the status of the lock bit itself and execution status of the lock bit disable and lock enable bit commands.

- (1) After the reset has been cancelled and the lock bit enable command executed, the specified block can be locked/unlocked using the lock bit (lock bit data). Blocks with a “0” lock bit data are locked and cannot be erased or written in. On the other hand, blocks with a “1” lock bit data are unlocked and can be erased or written in.
- (2) After the lock bit enable command has been executed, all blocks are unlocked regardless of lock bit data status and can be erased or written in. In this case, lock bit data that was “0” before the block was erased is set to “1” (unlocked) after erasing, therefore the block is actually unlocked with the lock bit.

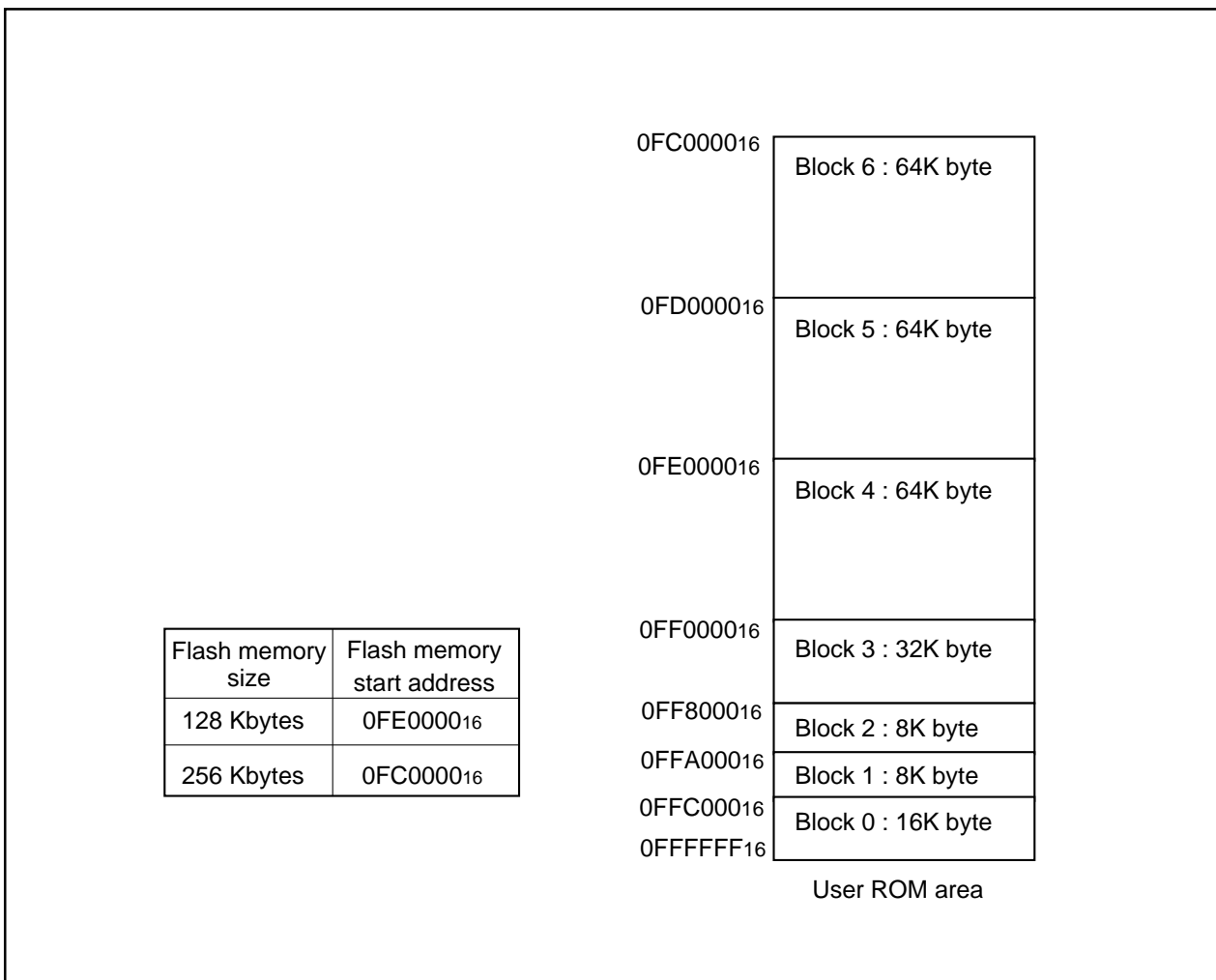


Figure 1.31.20. Blocks in the user area

## Status Register (SRD)

The status register indicates operating status of the flash memory and status such as whether an erase operation or a program ended successfully or in error. It can be read by writing the read status register command (70<sub>16</sub>). Also, the status register is cleared by writing the clear status register command (50<sub>16</sub>). Table 1.31.2 gives the definition of each status register bit. After clearing the reset, the status register outputs "80<sub>16</sub>".

**Table 1.31.2. Status register (SRD)**

SRD0 bits	Status name	Definition	
		"1"	"0"
SR7 (bit7)	Write state machine (WSM) status	Ready	Busy
SR6 (bit6)	Reserved	-	-
SR5 (bit5)	Erase status	Terminated in error	Terminated normally
SR4 (bit4)	Program status	Terminated in error	Terminated normally
SR3 (bit3)	Block status after program	Terminated in error	Terminated normally
SR2 (bit2)	Reserved	-	-
SR1 (bit1)	Reserved	-	-
SR0 (bit0)	Reserved	-	-

### Write State Machine (WSM) Status (SR7)

The write state machine (WSM) status indicates the operating status of the flash memory. When power is turned on, "1" (ready) is set for it. The bit is set to "0" (busy) during an auto write or auto erase operation, but it is set back to "1" when the operation ends.

### Erase Status (SR5)

The erase status reports the operating status of the auto erase operation. If an erase error occurs, it is set to "1". When the erase status is cleared, it is set to "0".

### Program Status (SR4)

The program status reports the operating status of the auto write operation. If a write error occurs, it is set to "1". When the program status is cleared, it is set to "0".

### Program Status After Program (SR3)

If excessive data is written (phenomenon whereby the memory cell becomes depressed which results in data not being read correctly), "1" is set for the program status after-program at the end of the page write operation. In other words, when writing ends successfully, "80<sub>16</sub>" is output; when writing fails, "90<sub>16</sub>" is output; and when excessive data is written, "88<sub>16</sub>" is output.

If "1" is written for any of the SR5, SR4 or SR3 bits, the page program, block erase, erase all unlocked blocks and lock bit program commands are not accepted. Before executing these commands, execute the clear status register command (50<sub>16</sub>) and clear the status register.

## Status Register 1 (SRD1)

Status register 1 indicates the status of serial communications, results from ID checks and results from check sum comparisons. It can be read after the SRD by writing the read status register command (7016). Also, status register 1 is cleared by writing the clear status register command (5016).

Table 1.31.3 gives the definition of each status register 1 bit. "0016" is output when power is turned ON and the flag status is maintained even after the reset.

**Table 1.31.3. Status register 1 (SRD1)**

SRD1 bits	Status name	Definition	
		"1"	"0"
SR15 (bit7)	Boot update completed bit	Update completed	Not update
SR14 (bit6)	Reserved	-	-
SR13 (bit5)	Reserved	-	-
SR12 (bit4)	Checksum match bit	Match	Mismatch
SR11 (bit3) SR10 (bit2)	ID check completed bits	00 01 10 11	Not verified Verification mismatch Reserved Verified
SR9 (bit1)	Data receive time out	Time out	Normal operation
SR8 (bit0)	Reserved	-	-

### Boot Update Completed Bit (SR15)

This flag indicates whether the control program was downloaded to the RAM or not, using the download function.

### Check Sum Consistency Bit (SR12)

This flag indicates whether the check sum matches or not when a program, is downloaded for execution using the download function.

### ID Check Completed Bits (SR11 and SR10)

These flags indicate the result of ID checks. Some commands cannot be accepted without an ID check.

### Data Reception Time Out (SR9)

This flag indicates when a time out error is generated during data reception. If this flag is attached during data reception, the received data is discarded and the microcomputer returns to the command wait state.

### Full Status Check

Results from executed erase and program operations can be known by running a full status check. Figure 1.31.21 shows a flowchart of the full status check and explains how to remedy errors which occur.

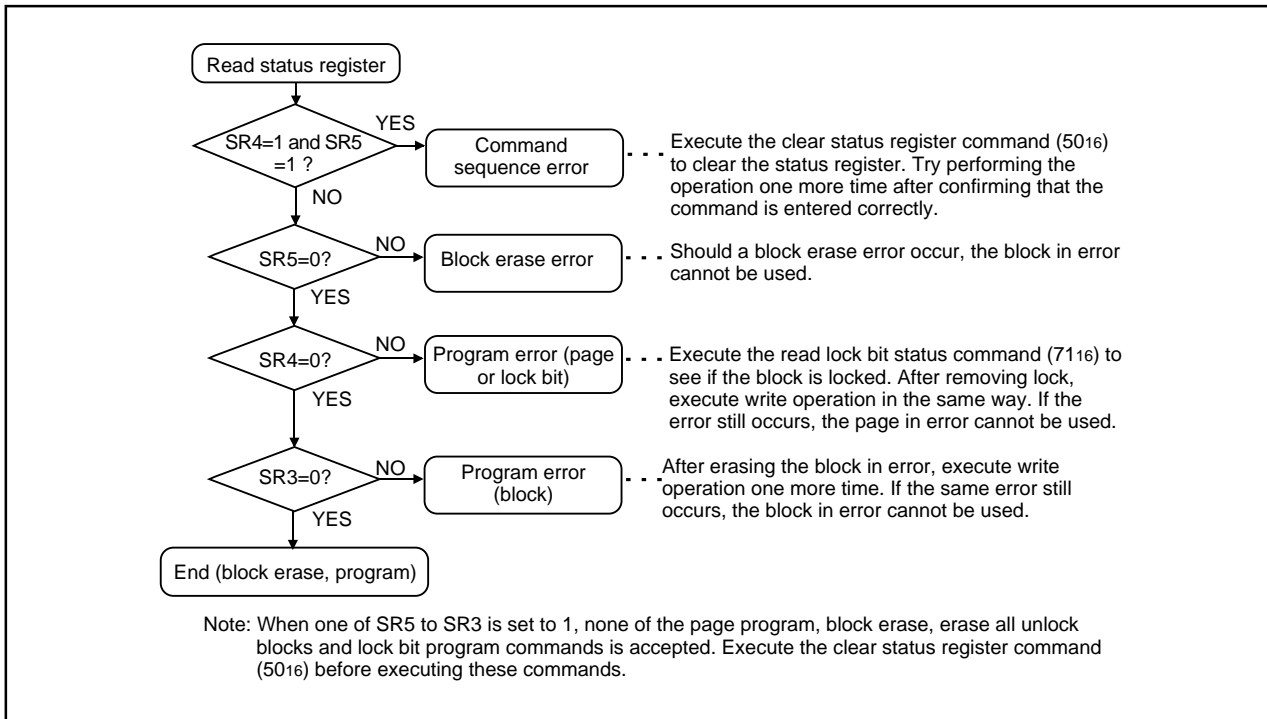


Figure 1.31.21. Full status check flowchart and remedial procedure for errors

### Example Circuit Application for The Standard Serial I/O Mode 1

The below figure shows a circuit application for the standard serial I/O mode 1. Control pins will vary according to peripheral unit (programmer), therefore see the peripheral unit (programmer) manual for more information.

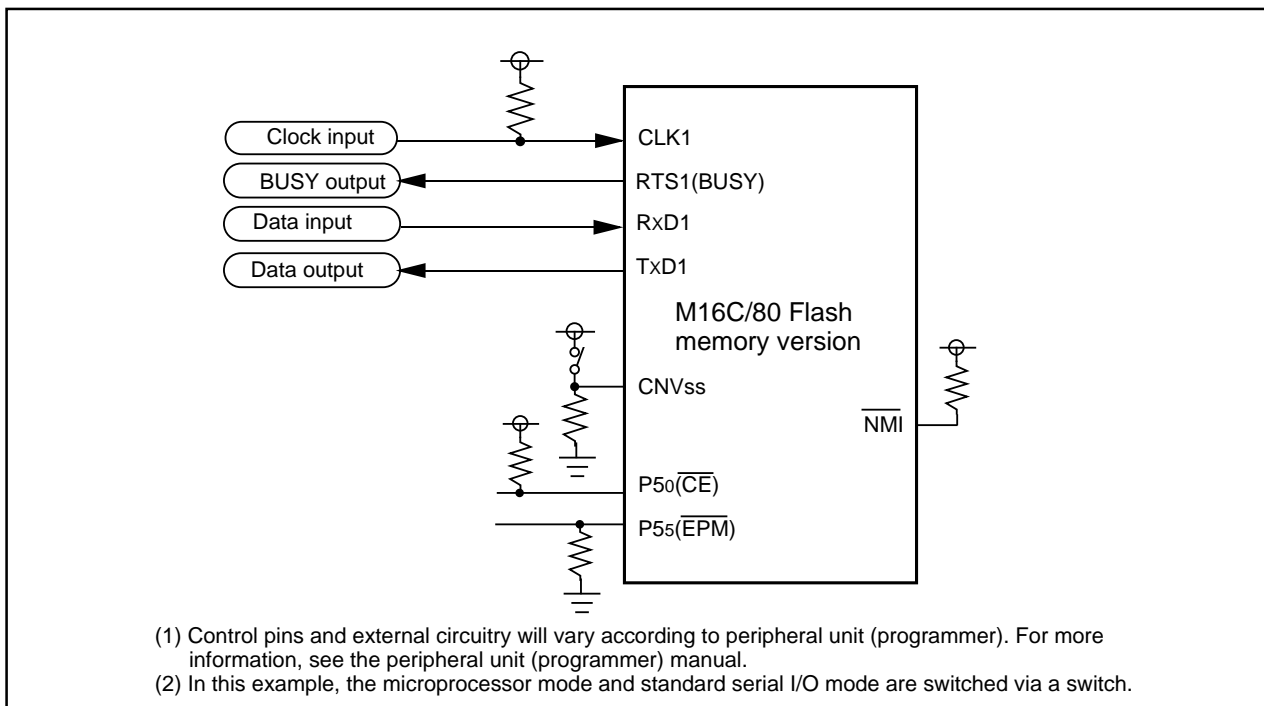


Figure 1.31.22. Example circuit application for the standard serial I/O mode 1



## Overview of standard serial I/O mode 2 (clock asynchronous)

In standard serial I/O mode 2, software commands, addresses and data are input and output between the MCU and peripheral units (serial programmer, etc.) using 2-wire clock-asynchronized serial I/O (UART1). Standard serial I/O mode 2 is engaged by releasing the reset with the P65 (CLK1) pin "L" level.

The TxD1 pin is for CMOS output. Data transfer is in 8-bit units with LSB first, 1 stop bit and parity OFF.

After the reset is released, connections can be established at 9,600 bps when initial communications (Figure 1.31.23) are made with a peripheral unit. However, this requires a main clock with a minimum 2 MHz input oscillation frequency. Baud rate can also be changed from 9,600 bps to 19,200, 38,400, 57,600 or 115,200 bps by executing software commands. However, communication errors may occur because of the oscillation frequency of the main clock. If errors occur, change the main clock's oscillation frequency and the baud rate.

After executing commands from a peripheral unit that requires time to erase and write data, as with erase and program commands, allow a sufficient time interval or execute the read status command and check how processing ended, before executing the next command.

Data and status registers in memory can be read after transmitting software commands. Status, such as the operating state of the flash memory or whether a program or erase operation ended successfully or not, can be checked by reading the status register. Here following are explained initial communications with peripheral units, how frequency is identified and software commands.

### Initial communications with peripheral units

After the reset is released, the bit rate generator is adjusted to 9,600 bps to match the oscillation frequency of the main clock, by sending the code as prescribed by the protocol for initial communications with peripheral units (Figure 1.31.23).

- (1) Transmit "00<sub>16</sub>" from a peripheral unit 16 times. (The MCU with internal flash memory sets the bit rate generator so that "00<sub>16</sub>" can be successfully received.)
- (2) The MCU with internal flash memory outputs the "B0<sub>16</sub>" check code and initial communications end successfully \*1. Initial communications must be transmitted at a speed of 9,600 bps and a transfer interval of a minimum 15 ms. Also, the baud rate at the end of initial communications is 9,600 bps.

\*1. If the peripheral unit cannot receive "B0<sub>16</sub>" successfully, change the oscillation frequency of the main clock.

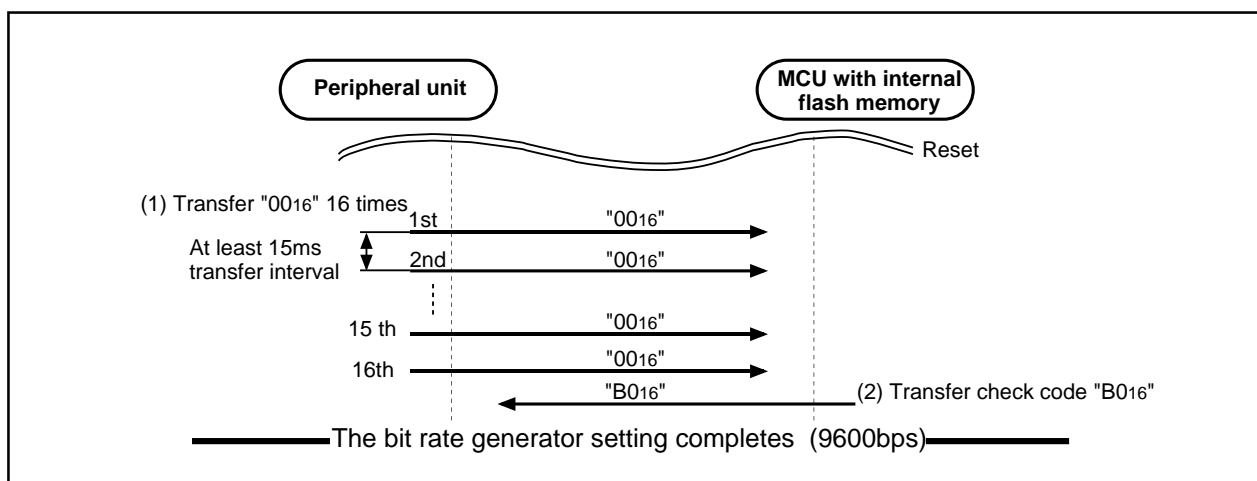


Figure 1.31.23. Peripheral unit and initial communication

## How frequency is identified

When "0016" data is received 16 times from a peripheral unit at a baud rate of 9,600 bps, the value of the bit rate generator is set to match the operating frequency (2 - 20 MHz). The highest speed is taken from the first 8 transmissions and the lowest from the last 8. These values are then used to calculate the bit rate generator value for a baud rate of 9,600 bps.

Baud rate cannot be attained with some operating frequencies. Table 1.31.4 gives the operation frequency and the baud rate that can be attained for.

**Table 1.31.4 Operation frequency and the baud rate**

Operation frequency (MHz)	Baud rate 9,600bps	Baud rate 19,200bps	Baud rate 38,400bps	Baud rate 57,600bps	Baud rate 115,200bps
20MHz	√	√	√	√	√
16MHz	√	√	√	√	—
12MHz	√	√	√	√	—
11MHz	√	√	√	√	—
10MHz	√	√	√	√	—
8MHz	√	√	√	√	—
7.3728MHz	√	√	√	√	—
6MHz	√	√	√	—	—
5MHz	√	√	√	—	—
4.5MHz	√	√	√	√	—
4.194304MHz	√	√	√	—	—
4MHz	√	√	—	—	—
3.58MHz	√	√	√	√	—
3MHz	√	√	√	—	—
2MHz	√	—	—	—	—

√ : Communications possible

— : Communications not possible

## Software Commands

Table 1.31.5 lists software commands. In the standard serial I/O mode 2, erase operations, programs and reading are controlled by transferring software commands via the RxD1 pin. Standard serial I/O mode 2 adds five transmission speed commands - 9,600, 19,200, 38,400, 57,600 and 115,200 bps - to the software commands of standard serial I/O mode 1. Software commands are explained here below.

**Table 1.31.5. Software commands (Standard serial I/O mode 2)**

	Control command	1st byte transfer	2nd byte	3rd byte	4th byte	5th byte	6th byte		When ID is not verified
1	Page read	FF <sub>16</sub>	Address (middle)	Address (high)	Data output	Data output	Data output	Data output to 259th byte	Not acceptable
2	Page program	41 <sub>16</sub>	Address (middle)	Address (high)	Data input	Data input	Data input	Data input to 259th byte	Not acceptable
3	Block erase	20 <sub>16</sub>	Address (middle)	Address (high)	D0 <sub>16</sub>				Not acceptable
4	Erase all unlocked blocks	A7 <sub>16</sub>	D0 <sub>16</sub>						Not acceptable
5	Read status register	70 <sub>16</sub>	SRD output	SRD1 output					Acceptable
6	Clear status register	50 <sub>16</sub>							Not acceptable
7	Read lock bit status	71 <sub>16</sub>	Address (middle)	Address (high)	Lock bit data output				Not acceptable
8	Lock bit program	77 <sub>16</sub>	Address (middle)	Address (high)	D0 <sub>16</sub>				Not acceptable
9	Lock bit enable	7A <sub>16</sub>							Not acceptable
10	Lock bit disable	75 <sub>16</sub>							Not acceptable
11	Code processing function	F5 <sub>16</sub>	Address (low)	Address (middle)	Address (high)	ID size	ID1	To ID7	Acceptable
12	Download function	FA <sub>16</sub>	Size (low)	Size (high)	Check-sum	Data input	To required number of times		Not acceptable
13	Version data output function	FB <sub>16</sub>	Version data output	Version data output	Version data output	Version data output	Version data output	Version data output to 9th byte	Acceptable
14	Boot ROM area output function	FC <sub>16</sub>	Address (middle)	Address (high)	Data output	Data output	Data output	Data output to 259th byte	Not acceptable
15	Read check data	FD <sub>16</sub>	Check data (low)	Check data (high)					Not acceptable
16	Baud rate 9600	B0 <sub>16</sub>	B0 <sub>16</sub>						Acceptable
17	Baud rate 19200	B1 <sub>16</sub>	B1 <sub>16</sub>						Acceptable
18	Baud rate 38400	B2 <sub>16</sub>	B2 <sub>16</sub>						Acceptable
19	Baud rate 57600	B3 <sub>16</sub>	B3 <sub>16</sub>						Acceptable
20	Baud rate 115200	B4 <sub>16</sub>	B4 <sub>16</sub>						Acceptable

Note 1: Shading indicates transfer from flash memory microcomputer to peripheral unit. All other data is transferred from the peripheral unit to the flash memory microcomputer.

Note 2: SRD refers to status register data. SRD1 refers to status register data 1.

Note 3: All commands can be accepted when the flash memory is totally blank.

### Page Read Command

This command reads the specified page (256 bytes) in the flash memory sequentially one byte at a time. Execute the page read command as explained here following.

- (1) Transfer the "FF<sub>16</sub>" command code with the 1st byte.
- (2) Transfer addresses A<sub>8</sub> to A<sub>15</sub> and A<sub>16</sub> to A<sub>23</sub> with the 2nd and 3rd bytes respectively.
- (3) From the 4th byte onward, data (D<sub>0</sub>–D<sub>7</sub>) for the page (256 bytes) specified with addresses A<sub>8</sub> to A<sub>23</sub> will be output sequentially from the smallest address first in sync with the rise of the clock.

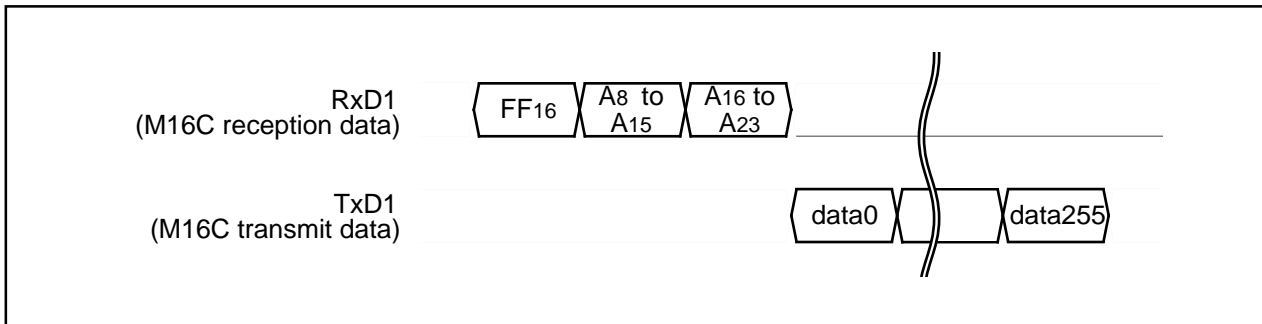


Figure 1.31.24. Timing for page read

### Read Status Register Command

This command reads status information. When the "70<sub>16</sub>" command code is sent with the 1st byte, the contents of the status register (SRD) specified with the 2nd byte and the contents of status register 1 (SRD1) specified with the 3rd byte are read.

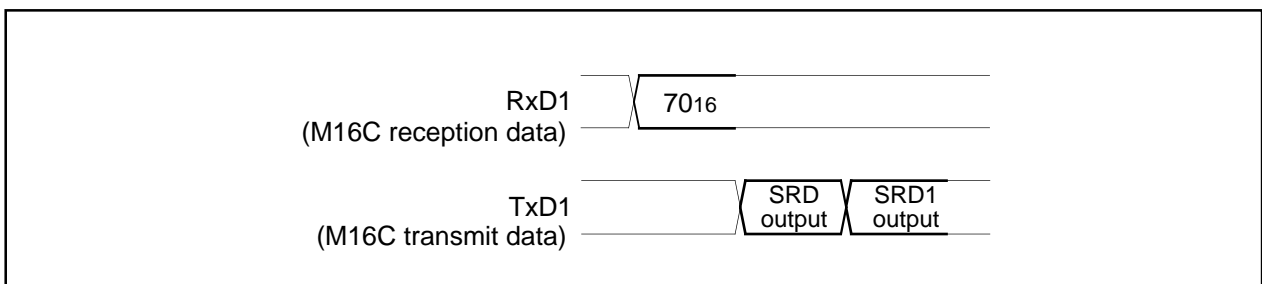


Figure 1.31.25. Timing for reading the status register

### Clear Status Register Command

This command clears the bits (SR3–SR5) which are set when the status register operation ends in error. When the "50<sub>16</sub>" command code is sent with the 1st byte, the aforementioned bits are cleared.

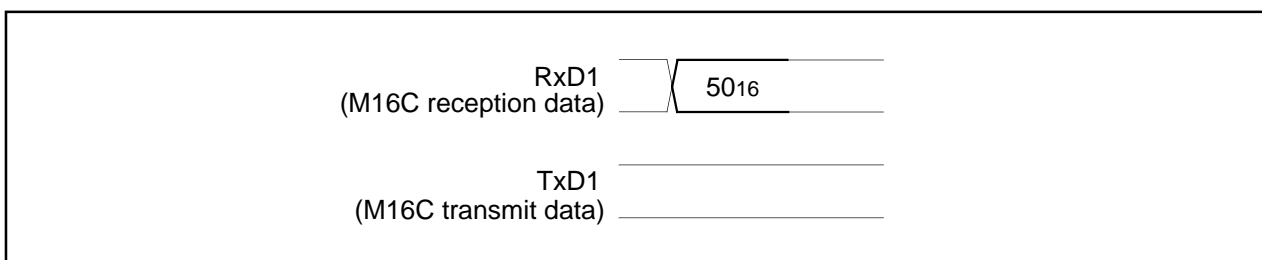


Figure 1.31.26. Timing for clearing the status register

### Page Program Command

This command writes the specified page (256 bytes) in the flash memory sequentially one byte at a time. Execute the page program command as explained here following.

- (1) Transfer the "4116" command code with the 1st byte.
- (2) Transfer addresses A8 to A15 and A16 to A23 with the 2nd and 3rd bytes respectively.
- (3) From the 4th byte onward, as write data (D0–D7) for the page (256 bytes) specified with addresses A8 to A23 is input sequentially from the smallest address first, that page is automatically written.

The result of the page program can be known by reading the status register. For more information, see the section on the status register.

Each block can be write-protected with the lock bit. For more information, see the section on the data protection function. Additional writing is not allowed with already programmed pages.

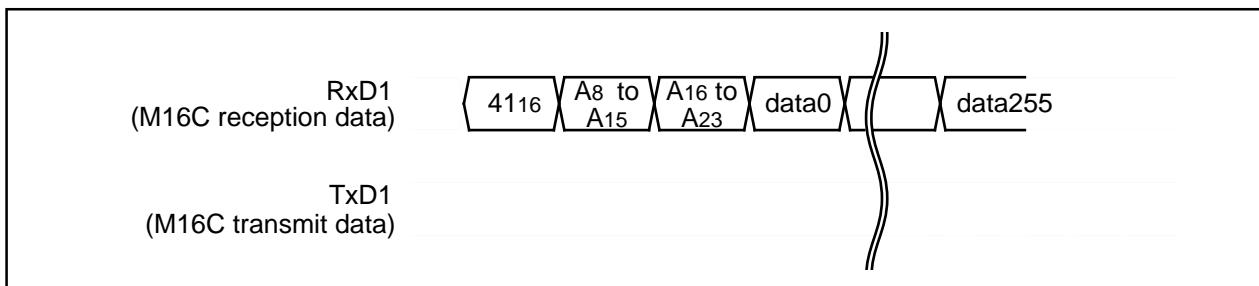


Figure 1.31.27. Timing for the page program

### Block Erase Command

This command erases the data in the specified block. Execute the block erase command as explained here following.

- (1) Transfer the "2016" command code with the 1st byte.
- (2) Transfer addresses A8 to A15 and A16 to A23 with the 2nd and 3rd bytes respectively.
- (3) Transfer the verify command code "D016" with the 4th byte. With the verify command code, the erase operation will start for the specified block in the flash memory. Write the highest address of the specified block for addresses A16 to A23.

After block erase ends, the result of the block erase operation can be known by reading the status register. For more information, see the section on the status register.

Each block can be erase-protected with the lock bit. For more information, see the section on the data protection function.

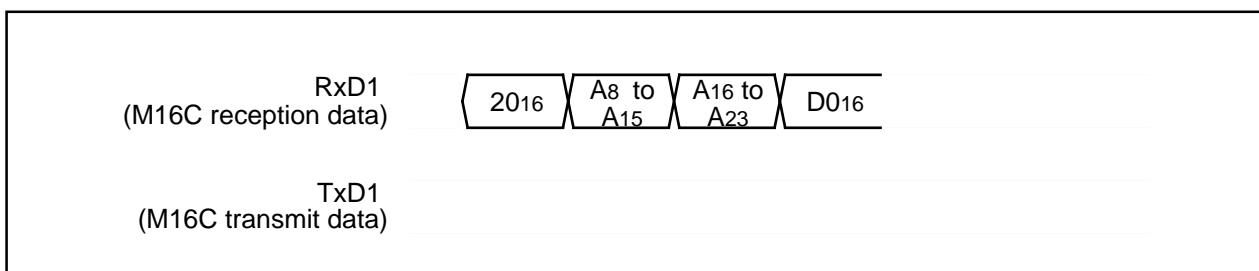


Figure 1.31.28. Timing for block erasing

### Erase All Unlocked Blocks Command

This command erases the content of all blocks. Execute the erase all unlocked blocks command as explained here following.

- (1) Transfer the "A7<sub>16</sub>" command code with the 1st byte.
- (2) Transfer the verify command code "D0<sub>16</sub>" with the 2nd byte. With the verify command code, the erase operation will start and continue for all blocks in the flash memory.

The result of the erase operation can be known by reading the status register. Each block can be erase-protected with the lock bit. For more information, see the section on the data protection function.

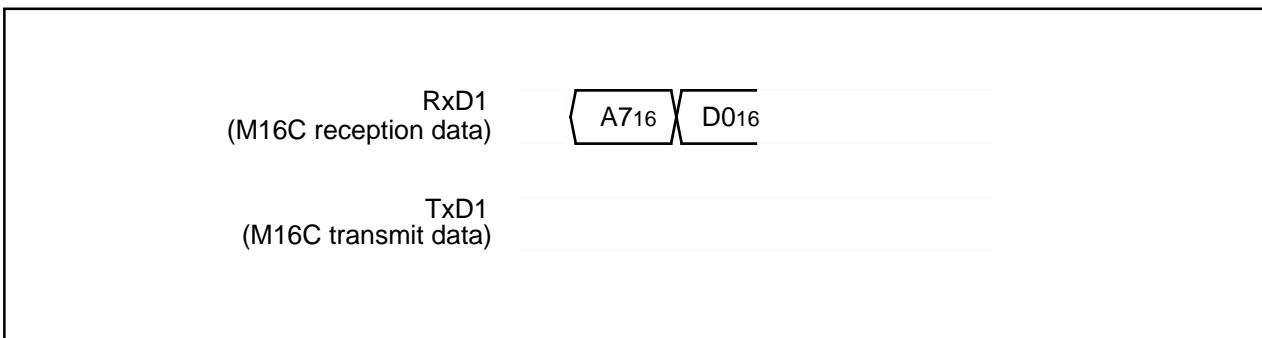


Figure 1.31.29. Timing for erasing all unlocked blocks

### Lock Bit Program Command

This command writes "0" (lock) for the lock bit of the specified block. Execute the lock bit program command as explained here following.

- (1) Transfer the "77<sub>16</sub>" command code with the 1st byte.
- (2) Transfer addresses A<sub>8</sub> to A<sub>15</sub> and A<sub>16</sub> to A<sub>23</sub> with the 2nd and 3rd bytes respectively.
- (3) Transfer the verify command code "D0<sub>16</sub>" with the 4th byte. With the verify command code, "0" is written for the lock bit of the specified block. Write the highest address of the specified block for addresses A<sub>8</sub> to A<sub>23</sub>.

Lock bit status can be read with the read lock bit status command. For information on the lock bit function, reset procedure and so on, see the section on the data protection function.

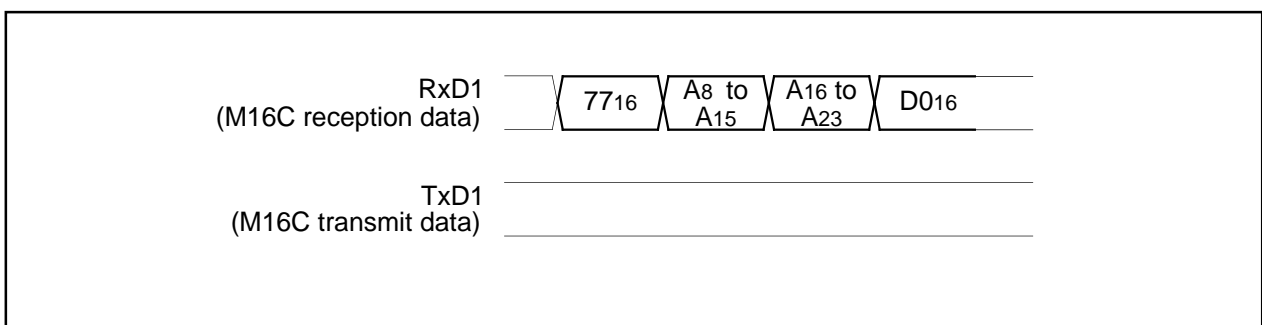


Figure 1.31.30. Timing for the lock bit program

### Read Lock Bit Status Command

This command reads the lock bit status of the specified block. Execute the read lock bit status command as explained here following.

- (1) Transfer the "7116" command code with the 1st byte.
- (2) Transfer addresses A8 to A15 and A16 to A23 with the 2nd and 3rd bytes respectively.
- (3) The lock bit data of the specified block is output with the 4th byte. Write the highest address of the specified block for addresses A8 to A23.

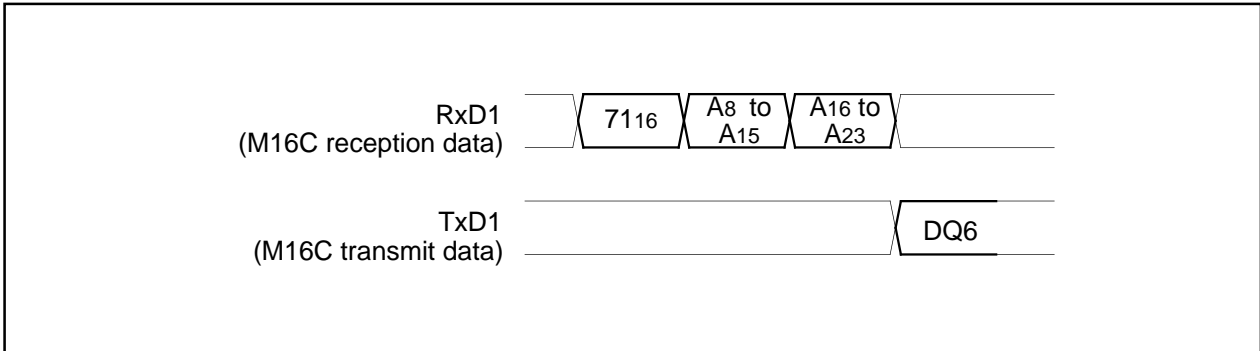


Figure 1.31.31. Timing for reading lock bit status

### Lock Bit Enable Command

This command enables the lock bit in blocks whose bit was disabled with the lock bit disable command. The command code "7A16" is sent with the 1st byte of the serial transmission. This command only enables the lock bit function; it does not set the lock bit itself.

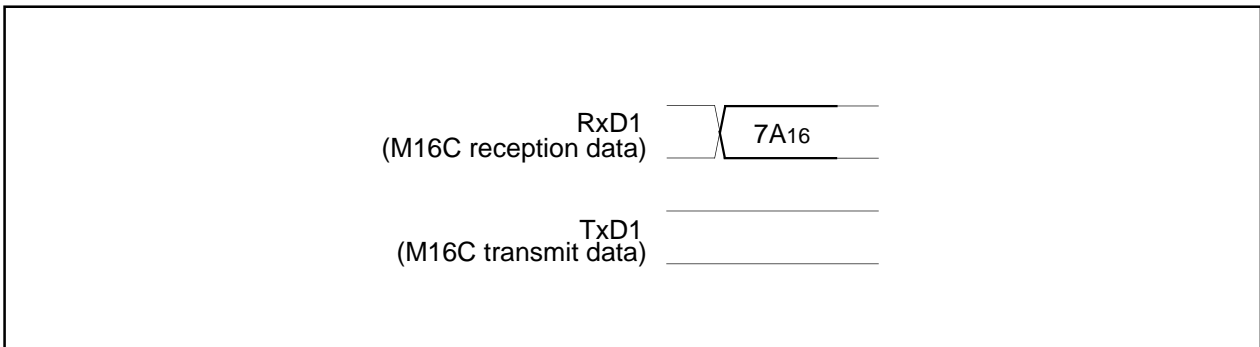


Figure 1.31.32. Timing for enabling the lock bit

### Lock Bit Disable Command

This command disables the lock bit. The command code "7516" is sent with the 1st byte of the serial transmission. This command only disables the lock bit function; it does not set the lock bit itself. However, if an erase command is executed after executing the lock bit disable command, "0" (locked) lock bit data is set to "1" (unlocked) after the erase operation ends. In any case, after the reset is cancelled, the lock bit is enabled.

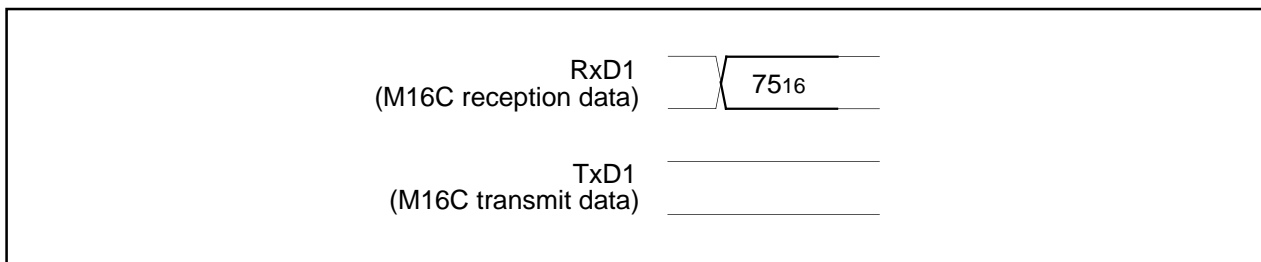


Figure 1.31.33. Timing for disabling the lock bit

### Download Command

This command downloads a program to the RAM for execution. Execute the download command as explained here following.

- (1) Transfer the "FA16" command code with the 1st byte.
- (2) Transfer the program size with the 2nd and 3rd bytes.
- (3) Transfer the check sum with the 4th byte. The check sum is added to all data sent with the 5th byte onward.
- (4) The program to execute is sent with the 5th byte onward.

When all data has been transmitted, if the check sum matches, the downloaded program is executed. The size of the program will vary according to the internal RAM.

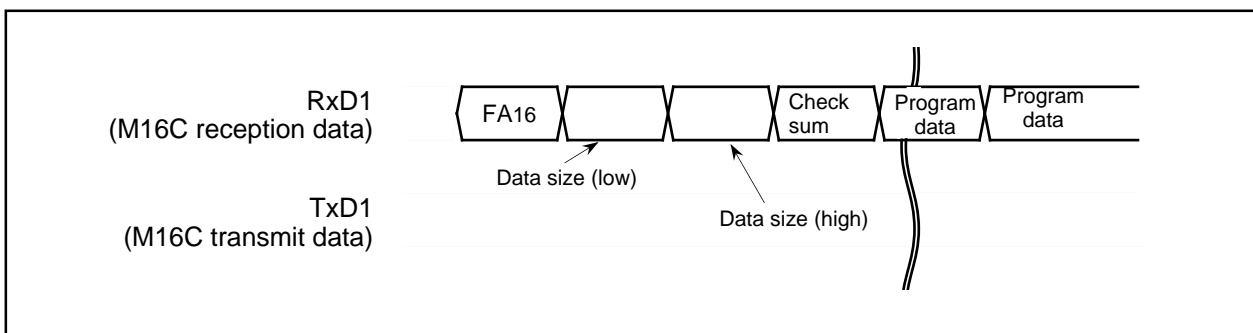


Figure 1.31.34. Timing for download



### Version Information Output Command

This command outputs the version information of the control program stored in the boot area. Execute the version information output command as explained here following.

- (1) Transfer the "FB16" command code with the 1st byte.
- (2) The version information will be output from the 2nd byte onward. This data is composed of 8 ASCII code characters.

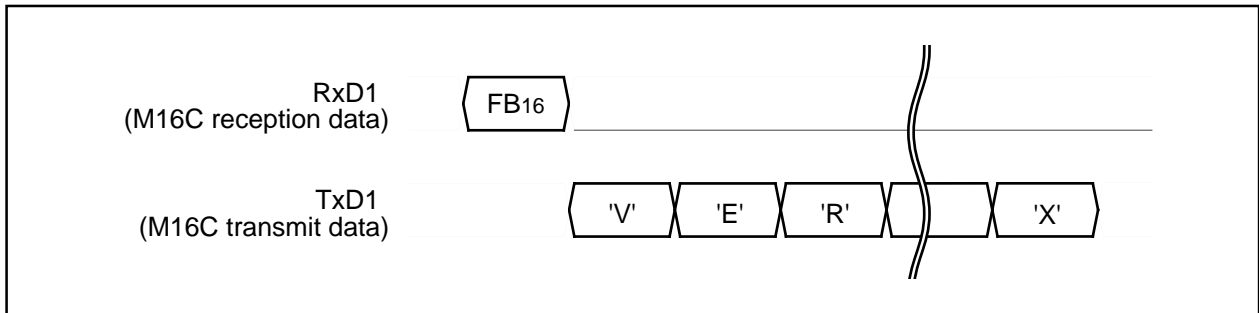


Figure 1.31.35. Timing for version information output

### Boot ROM Area Output Command

This command outputs the control program stored in the boot ROM area in one page blocks (256 bytes). Execute the boot ROM area output command as explained here following.

- (1) Transfer the "FC16" command code with the 1st byte.
- (2) Transfer addresses A8 to A15 and A16 to A23 with the 2nd and 3rd bytes respectively.
- (3) From the 4th byte onward, data (D0–D7) for the page (256 bytes) specified with addresses A8 to A23 will be output sequentially from the smallest address first, in sync with the rise of the clock.

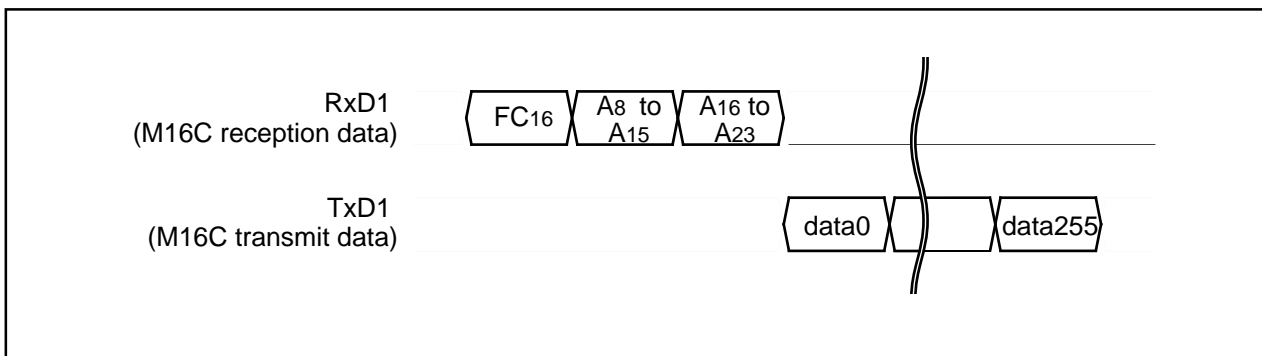


Figure 1.31.36. Timing for boot ROM area output

### ID Check

This command checks the ID code. Execute the boot ID check command as explained here following.

- (1) Transfer the "F5<sub>16</sub>" command code with the 1st byte.
- (2) Transfer addresses A0 to A7, A8 to A15 and A16 to A23 of the 1st byte of the ID code with the 2nd, 3rd and 4th bytes respectively.
- (3) Transfer the number of data sets of the ID code with the 5th byte.
- (4) The ID code is sent with the 6th byte onward, starting with the 1st byte of the code.

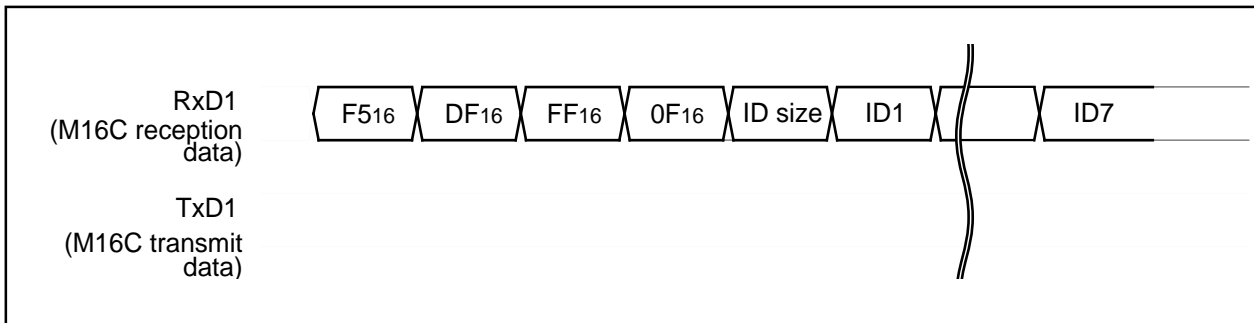


Figure 1.31.37. Timing for the ID check

### ID Code

When the flash memory is not blank, the ID code sent from the peripheral units and the ID code written in the flash memory are compared to see if they match. If the codes do not match, the command sent from the peripheral units is not accepted. An ID code contains 8 bits of data. Area is, from the 1st byte, addresses 0FFFFDF<sub>16</sub>, 0FFFFE3<sub>16</sub>, 0FFFFEB<sub>16</sub>, 0FFFFEF<sub>16</sub>, 0FFFFF3<sub>16</sub>, 0FFFFF7<sub>16</sub> and 0FFFFFB<sub>16</sub>. Write a program into the flash memory, which already has the ID code set for these addresses.

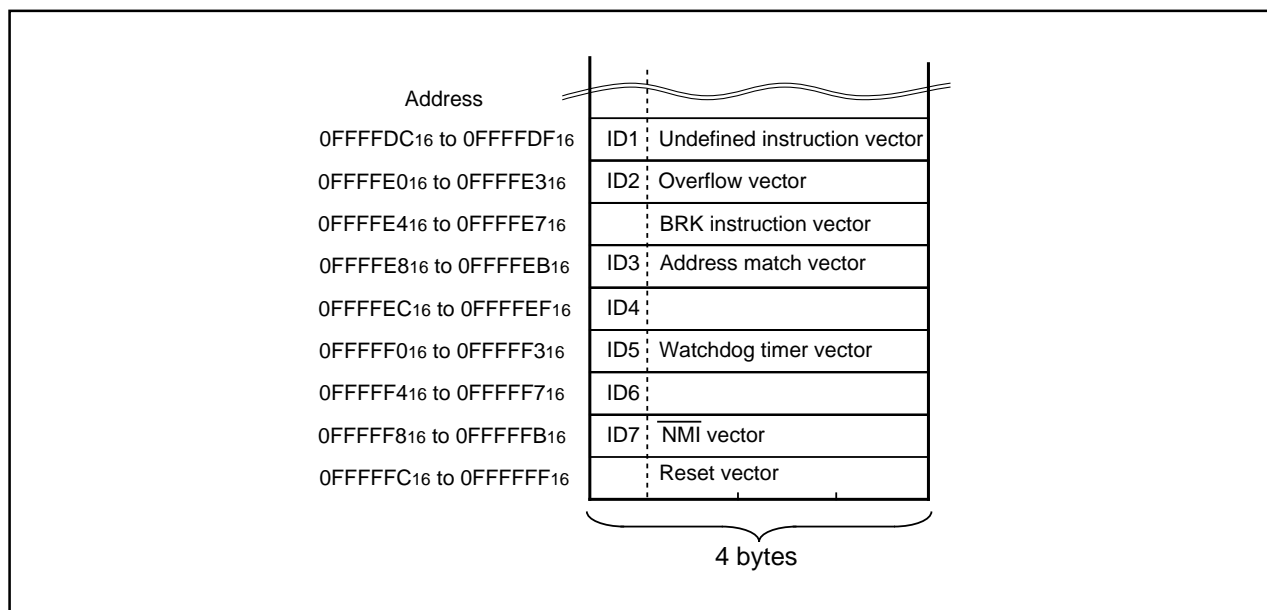


Figure 1.31.38. ID code storage addresses

### Read Check Data

This command reads the check data that confirms that the write data, which was sent with the page program command, was successfully received.

- (1) Transfer the "FD16" command code with the 1st byte.
- (2) The check data (low) is received with the 2nd byte and the check data (high) with the 3rd.

To use this read check data command, first execute the command and then initialize the check data. Next, execute the page program command the required number of times. After that, when the read check command is executed again, the check data for all of the read data that was sent with the page program command during this time is read. The check data is the result of CRC operation of write data.

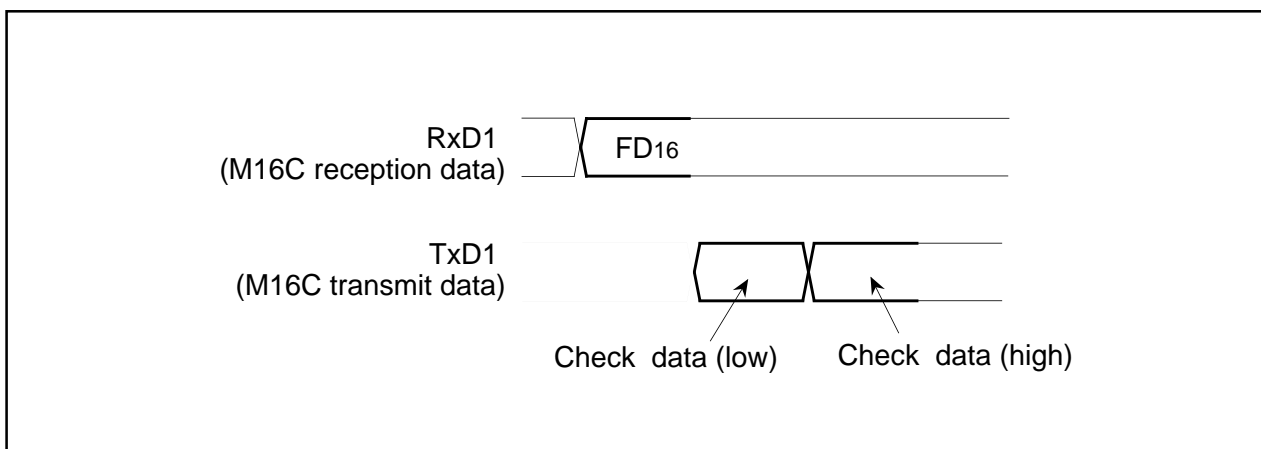


Figure 1.31.39. Timing for the read check data

### Baud Rate 9600

This command changes baud rate to 9,600 bps. Execute it as follows.

- (1) Transfer the "B016" command code with the 1st byte.
- (2) After the "B016" check code is output with the 2nd byte, change the baud rate to 9,600 bps.

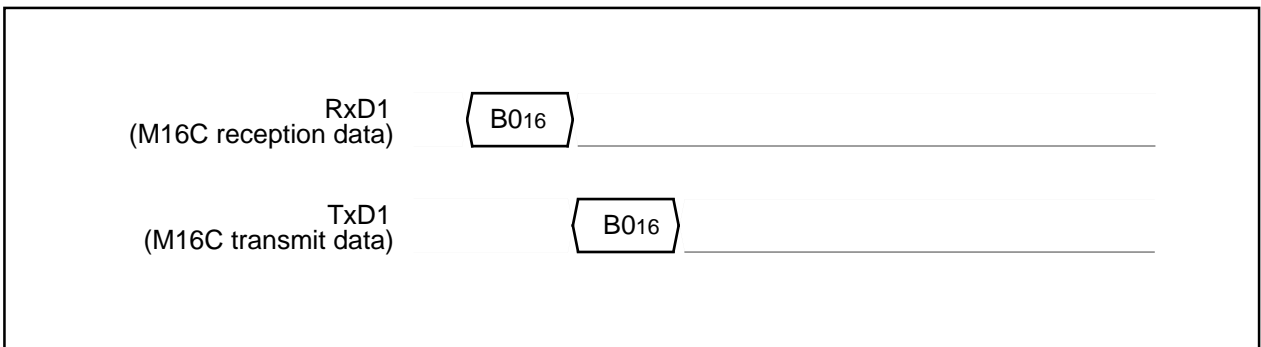


Figure 1.31.40. Timing of baud rate 9600

### Baud Rate 19200

This command changes baud rate to 19,200 bps. Execute it as follows.

- (1) Transfer the "B116" command code with the 1st byte.
- (2) After the "B116" check code is output with the 2nd byte, change the baud rate to 19,200 bps.

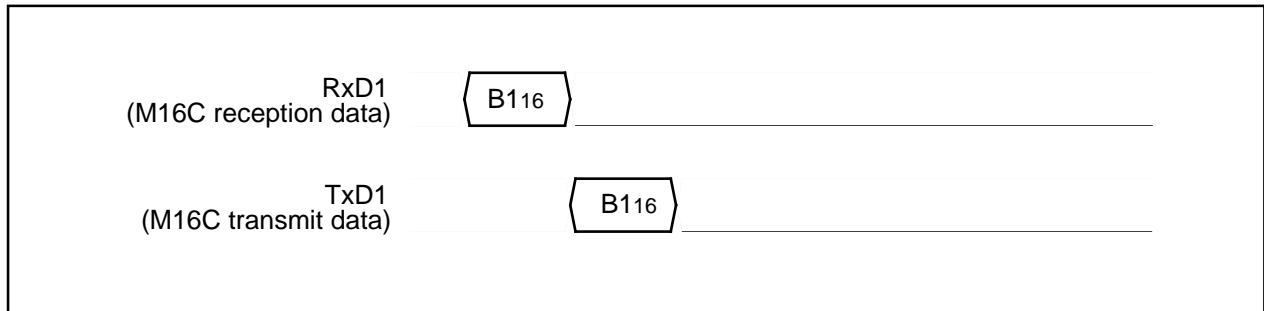


Figure 1.31.41. Timing of baud rate 19200

### Baud Rate 38400

This command changes baud rate to 38,400 bps. Execute it as follows.

- (1) Transfer the "B216" command code with the 1st byte.
- (2) After the "B216" check code is output with the 2nd byte, change the baud rate to 38,400 bps.

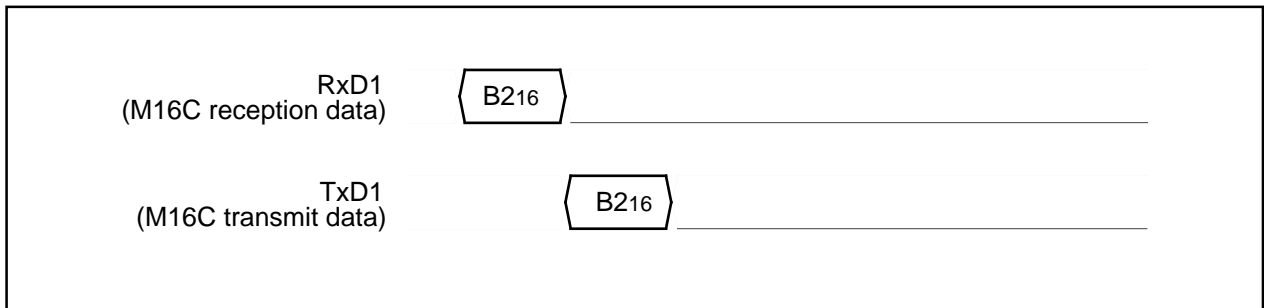


Figure 1.31.42. Timing of baud rate 38400

### Baud Rate 57600

This command changes baud rate to 57,600 bps. Execute it as follows.

- (1) Transfer the "B316" command code with the 1st byte.
- (2) After the "B316" check code is output with the 2nd byte, change the baud rate to 57,600 bps.

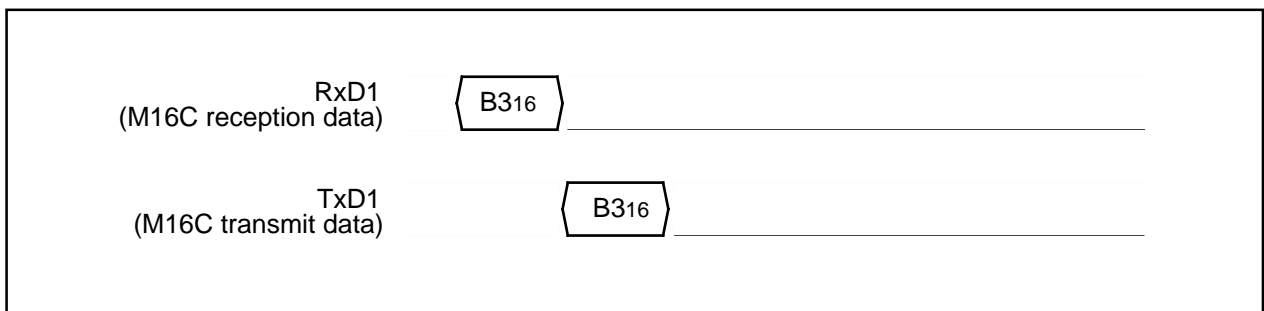


Figure 1.31.43. Timing of baud rate 57600

### Baud Rate 115200

This command changes baud rate to 115,200 bps. Execute it as follows.

- (1) Transfer the "B416" command code with the 1st byte.
- (2) After the "B416" check code is output with the 2nd byte, change the baud rate to 19,200 bps.

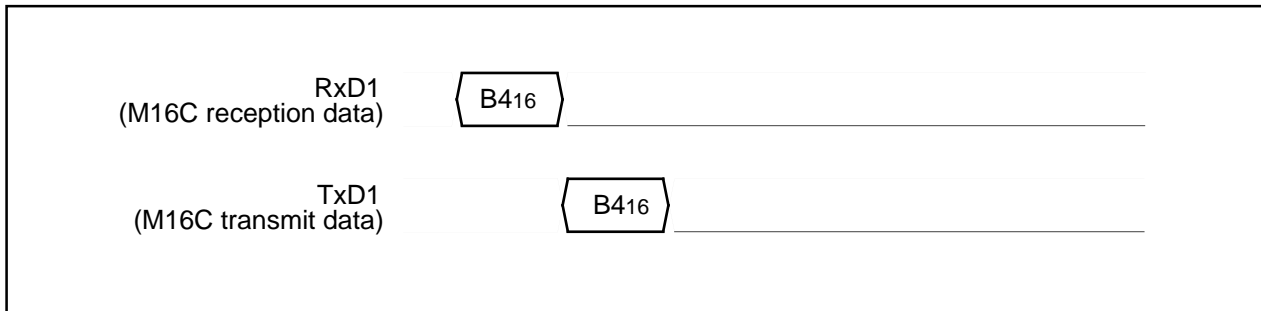


Figure 1.31.44. Timing of baud rate 115200

### Example Circuit Application for The Standard Serial I/O Mode 2

The below figure shows a circuit application for the standard serial I/O mode 2.

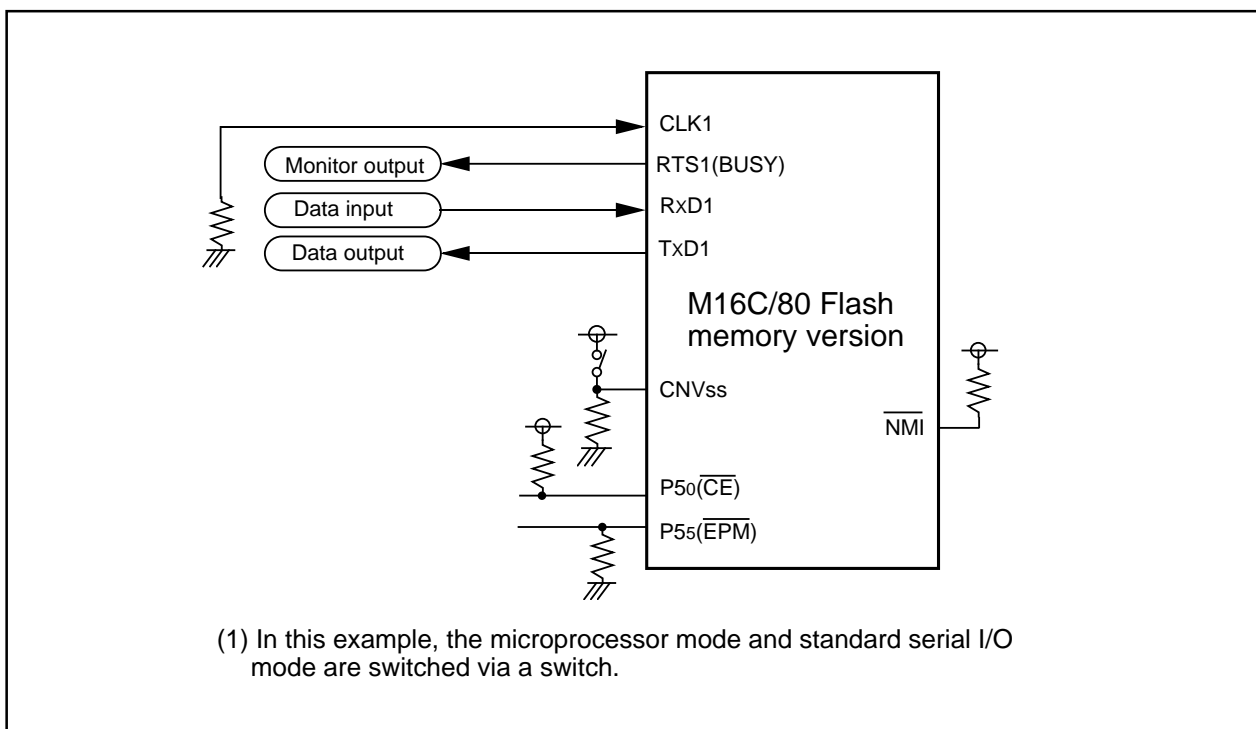
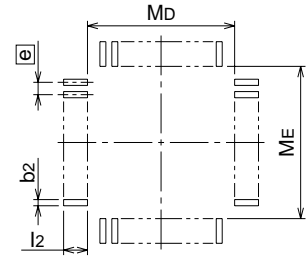
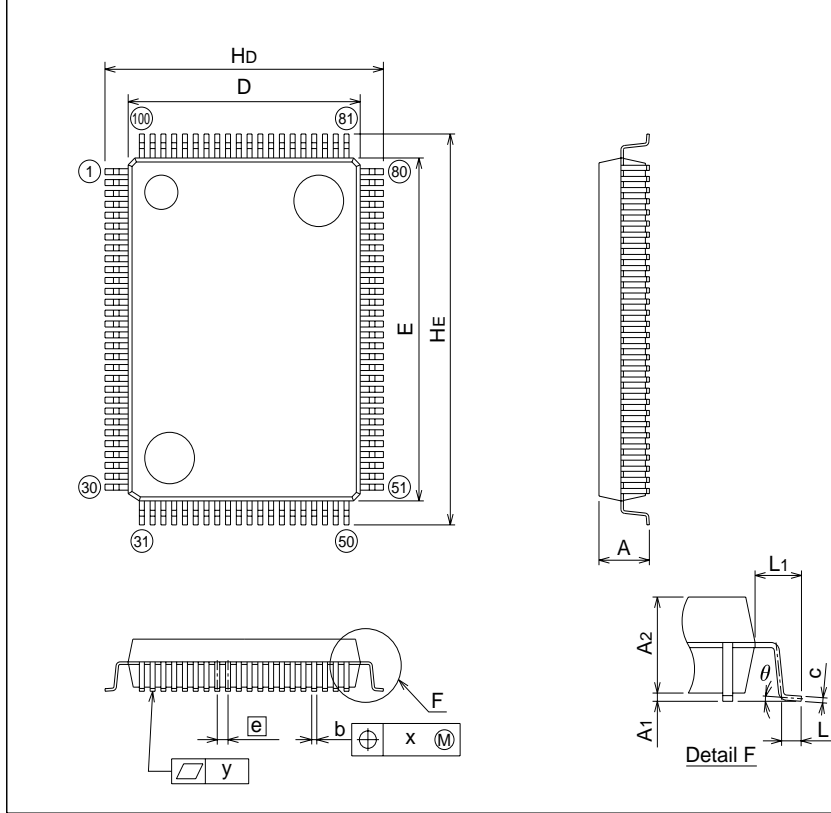


Figure 1.31.45. Example circuit application for the standard serial I/O mode 2

**100P6S-A** (MMP)

**Plastic 100pin 14X20mm body QFP**

EIAJ Package Code	JEDEC Code	Weight(g)	Lead Material
QFP100-P-1420-0.65	-	1.58	Alloy 42



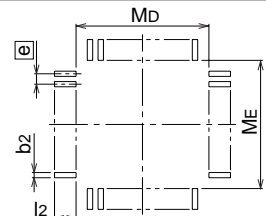
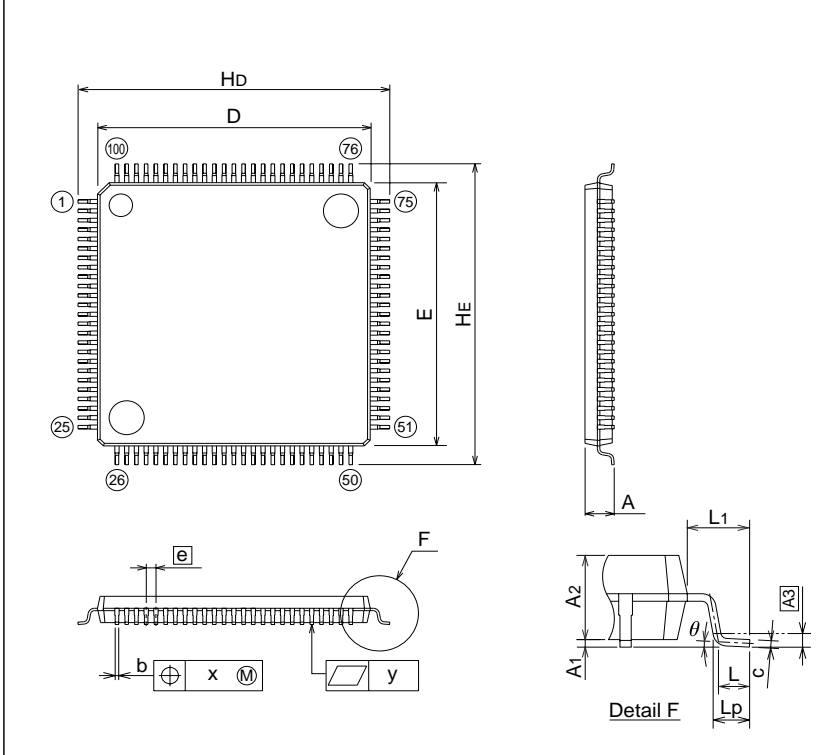
Recommended Mount Pad

Symbol	Dimension in Millimeters		
	Min	Nom	Max
A	-	-	3.05
A1	0	0.1	0.2
A2	-	2.8	-
b	0.25	0.3	0.4
c	0.13	0.15	0.2
D	13.8	14.0	14.2
E	19.8	20.0	20.2
e	-	0.65	-
Hd	16.5	16.8	17.1
HE	22.5	22.8	23.1
L	0.4	0.6	0.8
L1	-	1.4	-
x	-	-	0.13
y	-	-	0.1
θ	0°	-	10°
b2	-	0.35	-
l2	1.3	-	-
MD	-	14.6	-
ME	-	20.6	-

**100P6Q-A** (MMP)

**Plastic 100pin 14X14mm body LQFP**

EIAJ Package Code	JEDEC Code	Weight(g)	Lead Material
LQFP100-P-1414-0.50	-	0.63	Cu Alloy



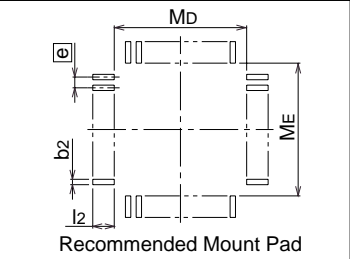
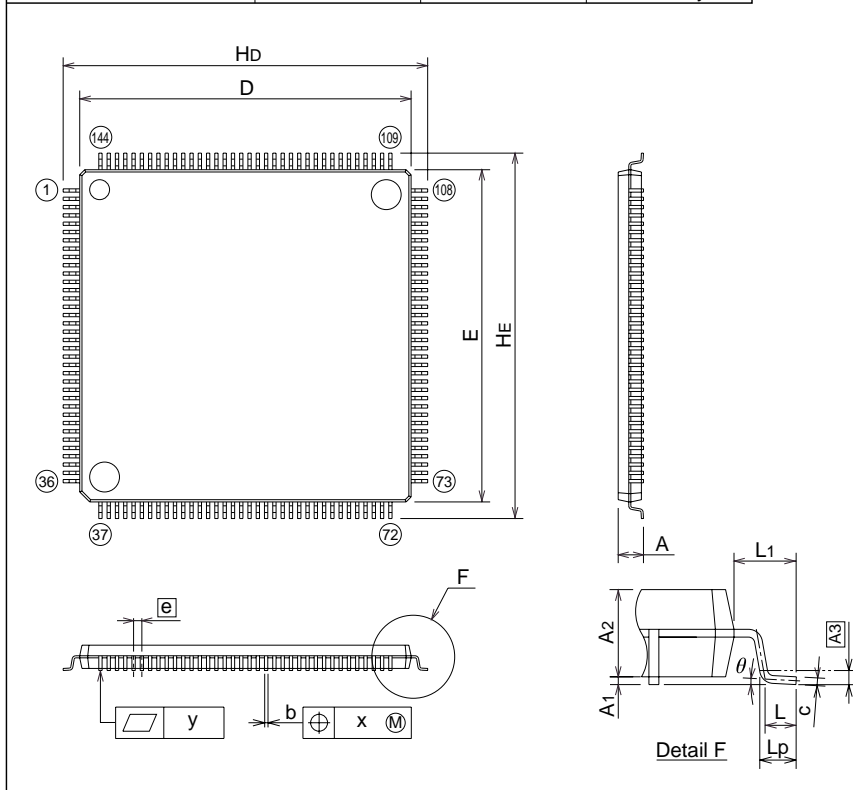
Recommended Mount Pad

Symbol	Dimension in Millimeters		
	Min	Nom	Max
A	-	-	1.7
A1	0	0.1	0.2
A2	-	1.4	-
b	0.13	0.18	0.28
c	0.105	0.125	0.175
D	13.9	14.0	14.1
E	13.9	14.0	14.1
e	-	0.5	-
Hd	15.8	16.0	16.2
HE	15.8	16.0	16.2
L	0.3	0.5	0.7
L1	-	1.0	-
Lp	0.45	0.6	0.75
A3	-	0.25	-
x	-	-	0.08
y	-	-	0.1
θ	0°	-	10°
b2	-	0.225	-
l2	0.9	-	-
MD	-	14.4	-
ME	-	14.4	-

**144P6Q-A** (MMP)

**Plastic 144pin 20×20mm body LQFP**

EIAJ Package Code	JEDEC Code	Weight(g)	Lead Material
LQFP144-P-2020-0.50	—	1.23	Cu Alloy



Symbol	Dimension in Millimeters		
	Min	Nom	Max
A	—	—	1.7
A1	0.05	0.125	0.2
A2	—	1.4	—
b	0.17	0.22	0.27
c	0.105	0.125	0.175
D	19.9	20.0	20.1
E	19.9	20.0	20.1
e	—	0.5	—
Hd	21.8	22.0	22.2
HE	21.8	22.0	22.2
L	0.35	0.5	0.65
L1	—	1.0	—
Lp	0.45	0.6	0.75
A3	—	0.25	—
x	—	—	0.08
y	—	—	0.1
theta	0°	—	8°
b2	—	0.225	—
l2	0.95	—	—
MD	—	20.4	—
ME	—	20.4	—

## Revision history

## Revision History

Version	Contents for change	Revision date
REV.B	<ul style="list-style-type: none"> <li>• Page 1 line 5      1 M byte --&gt; 16 M bytes</li> <li>• Page 1 line 15     10 MHz with software one wait --&gt; 10 MHz : under planning</li> <li>• Page 1 line 16     35 mW (f(XIN)=20MHz, without software wait, Vcc=5V; M30800MC-XXXXFP target value ) --&gt; 45 mA (M30800MC-XXXXFP)</li> <li>• Page 1      X-Y converter ---- 1 circuit Addition</li> <li>• Page 4 line 28     35 mA --&gt; 45 mA</li> <li>• Page 6 figure 1.1.4</li> <li>• Page 18 figure 1.5.4 and corresponding pages <ul style="list-style-type: none"> <li>(106) Peripheral subfunction select register --&gt; Function select register C</li> <li>(107) Port function select register 0 --&gt; Function select register A0</li> <li>(108) Port function select register 1 --&gt; Function select register A1</li> <li>(109) Peripheral function select register 0 --&gt; Function select register B0</li> <li>(110) Peripheral function select register 1 --&gt; Function select register B1</li> <li>(111) Port function select register 2 --&gt; Function select register A2</li> <li>(112) Port function select register 3 --&gt; Function select register A3</li> <li>(113) Peripheral function select register 2 --&gt; Function select register B2</li> </ul> </li> <li>• Page 21 figure 1.6.3      Register name change same as figure 1.5.4</li> <li>• Page 24 figure 1.8.1      Processor mode register 0 <ul style="list-style-type: none"> <li>Note 6 --&gt; Note 7, Note 6 Addition</li> <li>Processor mode register 1 Note 3</li> </ul> </li> <li>• Page 31 line 4 <ul style="list-style-type: none"> <li>Addition: The ALE signal is occurred regardless of internal area and external area.</li> </ul> </li> <li>• Page 31 table 1.10.4, Page 33 table 1.10.5      R/W --&gt; RD/WR</li> <li>• Page 42 table 1.11.4      System clock control register 0 Note 2</li> <li>• Page 51 line 7, table 1.15.1 <ul style="list-style-type: none"> <li>port function select register 3 (address 03B5<sub>16</sub>) --&gt; port function select register 3 (address 03B5<sub>16</sub>) and D-A control register (address 039C<sub>16</sub>)</li> </ul> </li> <li>• Page 60 line 3      the interrupt occurs. --&gt; the interrupt can be set to occur on input signal level and input signal edge.</li> <li>• Page 65 line 10      Set register --&gt; When writing to DCT2, DCT3, DRC2, DRC3, DMA2 and DMA3, set register</li> <li>• Page 67 table 1.20.2      Addition: Note 5</li> <li>• Page 86 line 1      successively when --&gt; successively two times when</li> <li>• Page 93 line 16      Count source input --&gt; Count source input (Set the corresponding function select register A to I/O port.)</li> <li>• Page 114 table 1.25.6, page 122 table 1.26.1 <ul style="list-style-type: none"> <li>UART<sub>i</sub> transmit/receive mode register      Addition: Note 2</li> <li>UART<sub>i</sub> transmit/receive mode register      Addition: Note 3</li> </ul> </li> <li>• Page 115 table 1.25.7      UART<sub>i</sub> transmit/receive mode register 0      Delate: Note 3</li> <li>• Page 120 line 13      Addition: -Set the corresponding function select register A to I/O port</li> <li>• Page 123 table 1.26.3</li> <li>• Page 130 table 1.27.3</li> <li>• Page 139 figure 1.29.2</li> <li>• Page 142 line 2      0623<sub>16</sub> --&gt; 0326<sub>16</sub></li> <li>• Page 144 table 1.29.5</li> <li>• Page 156 table 1.31.2      D-A control register (Note)      Addition: Note</li> <li>• Page 164 figure 1.34.2      16-bit bus mode A9 --&gt; A<sub>9</sub></li> <li>• Page 165 line 5      f<sub>32</sub> --&gt; BCLK(frequency x 32)</li> </ul>	'98. 10.19



## Revision history

Version	Contents for change	Revision date
REV.B	<ul style="list-style-type: none"> <li>• Page 165 figure 1.34.3 operation clock --&gt; BCLK</li> <li>• Page 169               <ul style="list-style-type: none"> <li>they function as output regardless of the contents of the direction registers. When pins are to be used as the outputs for the D-A converter, do not set the direction registers to output mode.</li> <li>--&gt;</li> <li>set the corresponding function select registers A, B and C. When pins are to be used as the outputs for the D-A converter, set the function select register of each pin to I/O port, and set the direction registers to input mode.</li> <li>Table 1.35.1 lists each port and peripheral function.</li> </ul> </li> </ul>	'98.10.19
REV.C	<p>All page M30800MC-XXXFP --&gt; M16C/80 (100-pin version) group</p> <p>Page 2 Figure 1 changed, GP package is added</p> <p>Page 3 Figure 3 Note 1 and Note 2 is added</p> <p>Page 5 Figure 4, Table 2 New type no. is added</p> <p>Page 6 Figure 5 GP is added</p> <p>Page 10 Line 2 18 registers --&gt; 28 registers</p> <p>Page 11 (7) Set USP and ISP to an even number so that execution efficiency is increased. --&gt; added</p> <p>Page 17 Figure 11 (54) UART4 special mode register 3 --&gt; added</p> <p>Page 18 Figure 12 UART3 special mode register 3 --&gt; added UART2 special mode register 3 --&gt; added Function select register B3 --&gt; added</p> <p>Page 20 Figure 14 UART4 special mode register 3 --&gt; added UART3 special mode register 3 --&gt; added UART2 special mode register 3 --&gt; added</p> <p>Page 21 Figure 15 Function select register B3 --&gt; added</p> <p>Page 24 Figure 23 PM1 Note 4 --&gt;added</p> <p>Page 31 Figure 26</p> <p>Page 45 Table 14, Page 46 Table 15 Note --&gt; added</p> <p>Page 50 Figure 32-4 Changed</p> <p>Page 51 Line 6 port function select register 3 --&gt; function select register A3</p> <p>Page 52 Line 17 FFFFE4<sub>16</sub> to FFFFE7<sub>16</sub> are all --&gt; FFFFE7<sub>16</sub> is</p> <p>Page 53 Table 17 BRK instruction If the vector is --&gt; If the contents of FFFFE7<sub>16</sub> is</p> <p>Page 53 Table 18 Instruction fetch and DBC --&gt; delated</p> <p>Page 58 Figure 36 IPL --&gt; RLVL</p> <p>Page 61 Figure 38 004D<sub>16</sub> --&gt; 0093<sub>16</sub></p> <p>Page 67 Figure 44-1Note 3 and 6 --&gt; added</p> <p>Page 68 Figure 45 memory --&gt; memory (forward direction)</p> <p>Page 70 Figure 46-2DMAi memory address reload register Note: vector register (SVP) --&gt; save PC register (SVP)</p> <p>Page 84 Figure 56 Note 4 addresses 0342<sub>16</sub> and 0343<sub>16</sub> --&gt; address 0343<sub>16</sub></p> <p>Page 93 Table 30 Count source: TBj overflow --&gt; added</p> <p>Page 96 Figure 69 Three-phase PWM control register 0 Note 4:both bit 0 and 1 --&gt; bit 1</p>	'98.3.2

## Revision history

Version	Contents for change	Revision date
REV.C	<p>Three-phase PWM control register 1</p> <p>Page 100 Line 1 In three-phase --&gt; In "L" active output polarity in three-phase</p> <p>Page 100 Line 26,31 the state of set by port direction register --&gt; the high-impedance state</p> <p>Page 101 Figure 73 Right: INV14 --&gt; added</p> <p>Page 103 Figure 74</p> <p>Page 108 Table 32 UART4 LSB first/MSB first selection : Note 1 --&gt; Note 2</p> <p>Page 118 Figure 83 UART transmit/receive control register 2</p> <p>Page 119 Figure UART 3,4 special mode register 3 --&gt; added</p> <p>Page 126 Line 3 CLK and CLKS select bit (bits 4 and 5 at address 037016) --&gt; port function select register (bits of related to-P64 and P65)</p> <p>Page 145</p> <p>Page 176 Table 124 P91: STxD3 output --&gt; added P97: STxD4 output --&gt; added</p> <p>Page 178 Figure 125-2 Function select register A3</p> <p>Page 179 Figure 125-3 Function select register B0</p> <p>Page 180 Figure 125-4 Function select register B3</p> <p>Page 187 A-D Converter (5)</p> <p>Page 188 DMAC</p>	'98.3.2
	<p>Page1 Supply voltage 4.0V-5.5V, Mask ROM version is added.</p> <p>Page 5 Table 1.1.1 DMAC 2 channels --&gt; 4 channels</p> <p>Page 8 P0 description is changed</p> <p>Page 9 P6 description is changed P7, 8, 9, 10 equivalent to P0 --&gt; P6</p> <p>Page 10 Figure 1.2.1 M30800FC, M30803FG are added.</p> <p>Page 18 Figure 1.4.3 (15) DRAM control register 0XXX0000 --&gt; ?XXX????</p> <p>Page 19 Figure 1.4.4 Delate Note, (143)-(147) 00 --&gt; ??</p> <p>Page 20 Figure 1.5.1 Add Note</p> <p>Page 25 Figure 1.6.1 Processor mode register 1 When reset 0016 --&gt; C016</p> <p>Page 30 Line 15 ... output to A9 to A20 --&gt; A8 to A20</p> <p>Page 32 Figure 1.7.2</p> <p>Page 35 (8) BCLK output</p> <p>Page 38 Figure 1.7.6</p> <p>Page 39 Figure 1.7.7</p> <p>Page 40 Figure 1.8.1 and 1.8.2 Note</p> <p>Page 42</p> <p>Page 43 Figure 1.8.4</p> <p>Page 44 Figure 1.8.5 Note 2, Line 6 Pin outputs "L" is delated.</p> <p>Page 45</p> <p>Page 47 Line 15 ... as BCLK --&gt; as BCLK from the interrupt routine</p> <p>Table 1.8.3</p> <p>Page 48 Status Transition of BCLK</p> <p>Page 51 Figure 1.8.7</p> <p>Page 52 Line 6, Figure 1.8.6 Delate D-A control register</p> <p>Page 56 Line 14</p>	'98.4.12

## Revision history

Version	Contents for change	Revision date
REV.C	<p>Page 58 Table 1.9.3 Software interrupt number 40,41, Add fault error, Add Note 2</p> <p>Page 59 Interrupt control register Line 4 delete</p> <p>Page 64 Interrupt sequence (1)</p> <p>Page 66 Saving registers Last line added</p> <p>Page 67 Interrupt Priority *1 delated, Last line added</p> <p>Page 72 (2) Setting the stack pointer Last line added</p> <p>Page 74 Watchdog timer Line 2 A watchdog timer interrupt is generated when --&gt; Whether a watchdog timer interrupt is generated or reset is selected when Last part :Watchdog timer function select bit is initialized only at reset. After reset, watchdog timer interrupt is selected. added</p> <p>Page 75 Figure 75 System clock control register 0 added</p> <p>Page 97 Figure 1.13.9 Count value</p> <p>Page 181 Figure 1.25.4</p> <p>Page 182 Figure 1.25.5</p> <p>Page 131 Figure 1.16.12 Both register Note2 added</p> <p>Page 135 Table 1.17.3 RxDi bit 1 and 6 at address 03C716 --&gt; bit 1 and 7 ...</p> <p>Page 132 Table 1.18.3 RxDi bit 1 and 6 at address 03C716 --&gt; bit 1 and 7 ...</p> <p>Page 147 Figure 1.19.1 Upper figure changed, note added</p> <p>Page 153 Bit 4 overflow --&gt; underflow</p> <p>Page 154 Figure 1.20.3 overflow --&gt; underflow</p> <p>Page 159 Clock phase setting UARTi transmission-reception control register 0 ..., whereas UARTi special mode register 3 ... --&gt; Bit 6 of UARTi transmission-reception control register 0 ..., whereas bit 1 of UARTi special mode register 3 ... Line 15 ... output is high impedance. --&gt; ... output is indeterminate.</p> <p>Page 171 Line 3 Set the function select register A to I/O port and the direction register to input mode. added</p> <p>Page 171 Figure 1.22.2 Note delete</p> <p>Page 176 Figure 1.24.3 added</p> <p>Page 178 Figure 1.25.1 When reset --&gt; indeterminate, Note 4 is added.</p> <p>Page 200 Table 1.26.2 and 1.26.3 and Figure 1.26.14 CNVss is added</p> <p>Page 204- Electric characteristics added</p>	
Rev.C1	<p>Page 214 Table 1.28.22 <math>t_{h(BCLK-DW)}</math> add</p> <p>Page 220 Figure 1.28.6 <math>t_{h(BCLK-CAS)}</math> --&gt; <math>t_{h(BCLK-DW)}</math></p> <p>Page 223 Figure 1.28.9 WR, WRL, WRH(sepalate bus) wave change</p>	99.5.12
Rev.C2	<p>Page 24 Line 3 A software reset has almost the same ... --&gt; A software reset has the same ...</p>	99.5.20
	<p>Page 161 Note 2: When <math>f(XIN)</math> is over 10 MHz, the <math>fAD</math> frequency must be under 10 MHz by dividing. --&gt; addition</p>	99.6.4
	<p>Page 18 Figure 1.4.3 (60) Timer B3,4,5 count start flag value change</p> <p>Page 19 Figure 1.4.4 Flash memory control register 0 and 1 added</p> <p>Page 22 Figure 1.5.3 Flash memory control register 0 and 1 added</p>	99.7.6

## Revision history

Version	Contents for change	Revision date
	<p>Page 43 Figure 1.8.4 CM0 Note 5 delate</p> <p>Page 81 Figure 1.11.5 DMAi memory address reload register Address DRA2, DRA3 000000<sub>16</sub> --&gt; XXXXXX<sub>16</sub></p> <p>Page 181, 182 Figures 1.25.4-1.25.5 D0-D15 waveform changed</p> <p>Page 185 (6) Pull up control register changed</p> <p>Page 208 Table 1.28.3 VT+VT- TB0IN-TB2IN --&gt; TB0IN-TB5IN, TA2OUT-TA4OUT --&gt; TA0OUT-TA4OUT</p> <p>Page 211 Table 1.28.19</p> <p>Page 212 Table 1.28.20</p> <p>Page 213 Table 1.28.21</p> <p>Page 214 Table 1.28.22</p> <p>Page 216 Figure 1.28.2</p> <p>Page 217 Figure 1.28.3</p> <p>Page 218 Figure 1.28.4</p> <p>Page 219 Figure 1.28.5</p> <p>Page 220 Figure 1.28.6</p> <p>Page 221 Figure 1.28.7</p> <p>Page 223 Figure 1.28.9</p>	
Rev.C3	Flash memory ROM version added	99.9.24
	Page 2,3 Figure 1.1.1, 1.1.2 Japanese font change to English font	99.12.8
Rev.D	<p>Page 1</p> <ul style="list-style-type: none"> <li>• DMAC...4 channels (trigger: 24 sources) --&gt; 31 sources</li> <li>• Supply voltage 4.2 to 5.5V (f(XIN)=20MHz) Flash memory version--&gt; addition</li> <li>• Interrupt...4 software --&gt; 5 software</li> </ul> <p>Page 1,5 Table 1.1.1 Feature • Memory capacity ROM 128 Kbytes --&gt; (See ROM expansion figure.) RAM 10K --&gt; 10/20 Kbytes</p> <p>Page 5 Table 1.1.1 Interrupt...4 software --&gt; 5 software</p> <p>Page 2, 3 Figure 1.1.1, 1.1.2 Note 1 addition</p> <p>Page 6 Figure 1.1.4, Table 1.1.2 M30803MG-XXXFP/GP addition</p> <p>Page 7 Figure 1.1.5 ROM capacity G:256 Kbytes addition</p> <p>Page 8 P00 to P07 However, it is possible to select pull-up resistance presence to the usable port as I/O port by setting. --&gt; addition CNVss Connect it to the Vss pin when operating in single-chip or memory expansion mode. Connect it to the Vcc pin when in microprocessor mode. --&gt; Connect it to the Vss pin when operating in single-chip or memory expansion mode after reset. Connect it to the Vcc pin when in microprocessor mode after reset. BYTE When operating in single-chip mode,connect this pin to VSS. --&gt; When not using the external bus,connect this pin to VSS.</p> <p>Page 9 P50 to P57 In single chip mode, --&gt; delate</p> <p>Page 10 Figure 1.2.1 M30803FG --&gt; M30803MG/FG</p> <p>Page 13 Figure 1.4.3 (2) processor mode register C0<sub>16</sub> --&gt; 00<sub>16</sub></p> <p>Page 20 to 23 Figure 1.5.1 to 1.5.4 Note addition</p> <p>Page 23 Figure 1.5.4 Note 2 addition</p>	14/3/00

## Revision history

Version	Contents for change	Revision date
	<p>Page 25 Figure 1.6.1, 1.6.2 Figure 1.6.1 is divided to Figure 1.6.1 and 1.6.2</p> <p>Page 30 Table 1.7.4</p> <p>Page 34 Figure 1.7.3 Note addition</p> <p>Page 36 Line 3 the chip select control register --&gt; the wait control register</p> <p>Page 38, 39 Figure 1.7.6, 1.7.7 Note change</p> <p>Page 42 Line 7 addition When the main clock is stopped (bit 5 at address 0006<sub>16</sub> =1) or the mode is shifted to stop mode (bit 0 at address 0007<sub>16</sub> =1), the main clock division register (address 000C<sub>16</sub>) is set to the divided-8 mode.</p> <p>Page 42 (3)BCLK When shifting to stop mode, --&gt; When main clock is stopped or shifting to stop mode,</p> <p>Page 43 Figure 1.8.4 CM0 Note 6 change, Note 7, 8 addition, CM1 Note 4 addition</p> <p>Page 44 Figure 1.8.5 Note 2 change</p> <p>Page 48 Line 5 When shifting to stop mode and reset, --&gt; When shifting to stop mode, reset or stopping main clock, (12) Low power dissipation mode addition When the main clock is stopped, the main clock division register (address 000C<sub>16</sub>) is set to the division by 8 mode.</p> <p>Page 51 Figure 1.8.7. Clock transition Note 3, 4 addition</p> <p>Page 52 Line 9 addition</p> <p>Page 54 Software Interrupts (2) Overflow interrupt, "CMPX" addition</p> <p>Page 55 (2) Peripheral I/O interrupts • Bus collision detection/start, stop condition (UART2, UART3, UART4) interrupts --&gt; change</p> <p>Page 57 • Variable vector tables addition Set an even address to the start address of vector table setting in INTB so that operating efficiency is increased.</p> <p>Page 58 Table 1.9.3 Bus collision detection/start, stop condition interrupts --&gt; Bus collision detection, start/stop condition detection interrupts</p> <p>Page 58 Table 1.9.3, page 68 Figure 1.9.8 Software interrupt number 40, 41 fault error --&gt; addition</p> <p>Page 71 Address match interrupt Line 7 addition</p> <p>Page 72 (3) The NMI interrupt • Do not reset the CPU with the input to the <math>\overline{\text{NMI}}</math> pin being in the "L" state. --&gt; • Signal of "L" level width more than 1 clock of CPU operation clock (BCLK) is necessary for <math>\overline{\text{NMI}}</math> pin.</p> <p>Page 72 (4) External interrupt</p> <p>Page 74 Figure 1.10.1</p> <p>Page 76 Line 2 "DMAC is a function that to transmit 1 data of a source address (8 bits /16 bits) to a destination address when transmission request occurs." addition.</p> <p>Page 76 Line 12 addition When writing to DSA2 and DSA3, set register bank select flag (B flag) to "1" and use LDC instruction to set SB and FB registers.</p> <p>Page 76 Figure 1.11.1</p> <p>Page 77 Table 1.11.1 Transfer memory space (16 Mbyte space) --&gt; addition</p>	

## Revision history

Version	Contents for change	Revision date
	<p>Page 78 Figure 1.11.2 Note :6 OR instruction --&gt; OR instruction etc.</p> <p>Page 80 Figure 1.11.4 DRCi • Transfer counter --&gt; • Transfer count register</p> <p>Page 81 Figure 1.11.5 DMAi, DSAi, DRAi Transfer count specification "(16 Mbytes area)" addition DRAi memory address counter --&gt; memory address register</p> <p>Page 85 Line 9 addition (1) Internal factors, (2) External factors change</p> <p>Page 87 Fugure 1.12.1 "Timer B2 overflow" addition</p> <p>Page 88 Fugure 1.12.2 Timer A --&gt; Timer B2 overflow (to timer A count source)</p> <p>Page 93 Table 1.13.2 Cout source • TB2 overflows, TAj overflows --&gt; •TB2 overflows or underflows , TAj overflows or underflows</p> <p>Page 95 Figure 1.13.7 When using two-phase signal processing Note 3 --&gt; addition</p> <p>Page 102 Figure 1.14.3 TBSR When reset 00<sub>16</sub> --&gt; 000XXXXXX<sub>16</sub> b4-b0 When read, the value is "0" --&gt; indeterminate</p> <p>Page 104 Table 1.14.2 Cout source • TBj overflows --&gt; •TBj overflows or underflows</p> <p>Page 124 Figure 1.16.5 UiTB Note 1 delate</p> <p>Page 126-127 Figure 1.16.7 to 1.16.8 CRD change</p> <p>Page 130 Figure 1.16.11 SDHI Enabled &lt;--&gt; Disabled</p> <p>Page 144 (a) Separate CTS/RTS pins function (UART0)</p> <p>Page 146 Table 1.19.1 Addition in "Other things"</p> <p>Page 147 Figure 1.19.1 è„Figure A "L" level returns from TxD due to the occurrence of a parity error. --&gt; A "L" level returns from SIM card...</p> <p>Page 149 Figure 1.19.4 Note addition</p> <p>Page 150 Table 1.20.1 Note 1: LSB first --&gt; MSB first, Note 3 Change</p> <p>Page 156 Figure 1.20.4 4 to 5 cycles --&gt; 3 to 6 cycles</p> <p>Page 163, 165-169 Figure 1.21.2-Figure 1.21.8 ADCON1 Note 2-6 addition</p> <p>Page 170 Line 14,23 addition</p> <p>Page 171 Line 5 addition</p> <p>Page 172 Figure 1.22.3 Note :3 D-A control register --&gt; D-A register</p> <p>Page 176 Figure 1.24.3</p> <p>Page 178 Figure 1.25.1 Note 1 position change</p> <p>Page 178 Line 10 DRAM controler --&gt; addition</p> <p>Page 179 Figure 1.25.2 Note 1 --&gt; change</p> <p>Page 184 (1) Direction registers, (2) Port registers --&gt; change</p> <p>Page 185 (4) Function select register B --&gt; change</p> <p>Page 189 Figure 1.26.4 Port Pi direction register Note 2 addition</p> <p>Page 190 Figure 1.26.5 Port Pi register Note 1 and 2 addition</p> <p>Page 191 Table 1.26.1 Note addition</p> <p>Page 192 Figure 1.26.6 Function select register A1 Note 1 addition</p> <p>Page 194 Figure 1.26.8 Function select register B1 Note 2 addition</p> <p>Page 195 Figure 1.26.9 Function select register B3 Note 1 --&gt; addition, PSL3_3-PSL3_6 change</p> <p>Page 196 Figure 1.26.13 Port control register Note 2 addition</p> <p>Page 197 Figure 1.26.4 Port Pi direction register Note 2 addition</p> <p>Page 200 Precaution on A-D converter (6) --&gt; addition</p> <p>Page 203 Stop Mode and Wait Mode (2) all clock stop bits --&gt; all clock stop control bits</p> <p>Page 203 Noise addition</p> <p>Page 203 Precaution on interrupt (1) line 7 --&gt; addition</p>	

## Revision history

Version	Contents for change	Revision date
	<p>Page 204 Making power consumption electricity small --&gt; addition  Page 207 Table 1.28.3 <math>V_{T+} - V_{T-}</math> SCL2-SCL4, SDA2-SDA4 Addition  Page 208 Table 1.28.5 Note Change  Page 215 Table 1.28.22 <math>t_{RP}</math> expression change  Page 217-220 Figure 1.28.2-1.28.5 <math>t_w(WR)</math> addition, <math>t_h(BCLK-DB)</math> delate  Page 219, 220, 222, 223, 225  Figure 1.28.4, 1.28.5, 1.28.7, 1.28.8, 1.28.10 addition  Page 225, 226 Figure 1.28.10, 1.28.11 <math>t_h(BCLK-DB)</math> -5 ns.min --&gt; -7 ns.min  Page 227 Figure 1.28.12 Refresh timing (self refresh) RAS timing  Page 230 3V of electric characteristics addition  Page 246 Table 1.29.1 Data hold --&gt; addition  Page 247 Figure 1.29.2 Package type 144P6Q --&gt; 144P6Q-A  Page 248 Flash memory line 5 change  Page 250 Function outline Line 24 (Parallel ... function) --&gt; delate  Page 269 Standard serial I/O mode Line 26 external device --&gt; external device ( programmer)  Page 285 Figure1.31.21 programer --&gt; peripheral unit ( programmer)</p>	
Rev.D3	<p>Page 43 Figure1.8.4 Note of the system clock control register 0--&gt;addition  Page 44 Line 4 Note--&gt;addition  Page 45 Table1.8.2 Note--&gt;addition  Page 71 Line 9 "Address match interrupt is not generated with a start instruction of interrupt routine."--&gt;Delete  Page 73 (6) Precaution of Address mach interrupt--&gt;addition  Page 79 Figure1.11.2 Note--&gt;change  Page 87 Precaution for DMAC--&gt;addition  Page 131 Figure1.16.11 Bit 7--&gt;Must set to "1" in selecting IIC mode.  Page 152 Figure1.20.1 Bit 7--&gt;Must set to "1" in selecting IIC mode.  Page 182 Addition  Page 205 (3) Address match interrupt in Interrupt precautions--&gt;addition  Page 206 (2) DMAC--&gt;addition  Page 207 Precautions for using CLKOUT pin--&gt;addition  Page 210 Table1.28.3 <math>I_{CC}</math> when clock stop <math>T_{opr}=25C^{\circ}</math>--&gt;change  Page 212 Table1.28.6 External clock input HIGH and LOW pulse waidth 22--&gt;20  External clock rise and fall time 10--&gt;5  Page 215, 216 Table1.28.19, 20 <math>t_h(BCLK-DB)</math>--&gt;delete, <math>t_w(WR)</math>--&gt;addition  Page 218 Table1.28.22 <math>t_h(BCLK-DB)</math> -5ns --&gt; -7ns  Page 233 Table1.28.23 <math>I_{CC}</math> when clock stop <math>T_{opr}=25C^{\circ}</math>--&gt;change  Page 235 Table1.28.27 <math>t_h(CAS-DB)</math>--&gt;addition  Page 238, 239 Table1.28.39, 40 <math>t_w(WR)</math> --&gt;addition, <math>t_h(BCLK-RD)</math> 0ns--&gt;-3ns  Page 240 Table1.28.41 <math>t_d(AD-ALE)=10^9/(f(BCLK)X2)-20</math> --&gt;<math>10^9/(f(BCLK)X2)-27</math>  Page 241 Table1.28.42 <math>t_h(BCLK-CAS)</math> 0ns--&gt;-3ns  Page 242 Figure1.28.15 <math>t_{ac1}(RD-DB)</math> min--&gt;max, <math>t_{ac1}(AD-DB)</math> min--&gt;max  Page 243 Figure1.28.16 <math>t_{ac2}(RD-DB)</math> min--&gt;max, <math>t_{ac2}(AD-DB)</math> min--&gt;max  Page 244, 255 Figure1.28.17 2 wait, Figure1.28.18 3 wait--&gt;addition  Page 246 Figure1.28.19 <math>t_{ac3}(AD-DB)</math>--&gt;addition, <math>t_{su}(DB-RD)</math>--&gt;<math>t_{su}(DB-BCLK)</math>, <math>t_h(BCLK-RD)</math> 0ns --&gt;-3ns, <math>t_d(AD-ALE)=(t_{cyc}/2-20)ns</math>--&gt; ... -27)ns  Page 247 Figure1.28.20 Addition  Page 248, 249 Figure1.28.21, 1.28.22 --&gt;addition</p>	19/6/'00





## Revision history

Version	Contents for change	Revision date
	<p>ing) --&gt; "Note 2 Timer A2 is fixed to ... multiply-by-4 processing operation." is added, note 3 change</p> <p>Page 109 Figure 1.14.6 Note 1 It is indeterminate when reset --&gt; addition</p> <p>Page 112 Figure 1.15.2 Dead time timer--&gt;Note 1 addition, Timer B2 interrupt occurrence frequency set counter--&gt;Note 3 addition</p> <p>Page 113 Notes 2, 3 --&gt; addition</p> <p>Page 114 three-phase waveform mode --&gt; three phase PWM output mode</p> <p>Page 128 Figure 1.16.5 UARTi bit rate generator --&gt; Note 2 addition</p> <p>Page 128 Figure 1.16.5 UARTi transmit buffer register, UARTi bit rate generator--&gt;Note 1 addition</p> <p>Page 129 Figure 1.16.6 UARTi transmit/receive mode register--&gt;Note 2 addition in CKDIR of UART mode</p> <p>Page 133 Figure 1.16.10 UART transmit/receive control register 2--&gt;Note delete</p> <p>Page 136 Note 2, Page 143 Note 3 ... the UARTi receive interrupt request bit <u>is not set to "1"</u> --&gt; ... the UARTi receive interrupt request bit <u>will not change</u></p> <p>Page 145 Figure 1.18.1 UARTi transmit/receive mode register (i=0,1) --&gt; Note 1 addition, UARTi transmit/receive mode register (i=2 to 4) --&gt; Note 2 addition</p> <p>Page 157 On the 12th line, ... allocated to bit <u>3</u> in UART2 transmission buffer register <u>1</u> (address 033E16) ... --&gt; ... allocated to bit <u>11</u> in UART2 transmission buffer register (address 033E16) ...</p> <p>Page 161 &lt; Master Mode (TxDi and RxDi are selected, DINC = 0) &gt;  ..., and the <u>STxDi, SRxDi</u> and CLKi pins ...--&gt; ..., and the <u>TxDi, RxDi</u> and CLKi pins ...</p> <p>Page 165 Table 1.21.1 Absolute precision --&gt; change</p> <p>Page 170 Table 1.21.3 Reading of result of A-D converter --&gt; (at any time) addition</p> <p>Page 173 Table 1.21.6 Input pin --&gt; change to AN0 to AN7, With emphasis on the pin --&gt; addition</p> <p>Page 182 On the second line from the bottom, ..., and dummy cycle for refresh ... --&gt; ..., and processing necessary for dummy cycle to refresh DRAM ...</p> <p>Page 183 Figure 1.25.2 is partly revised.</p> <p>Page 189 On the 18th and 27th lines, page 194 Port Pi direction register Note 2, page 196 Port Pi register Note 1 ... for setting of bus control such as address bus and data bus is ... --&gt; of pins A0 to A22, <math>\bar{A}23</math>, D0 to D15, MA0 to MA12, CS0 to CS 3, <math>\overline{WRL}/\overline{WR}/\overline{CASL}</math>, <math>\overline{WRH}/\overline{BHE}/\overline{CASH}</math>, <math>\overline{RD}/\overline{DW}</math>, <math>\overline{BCLK}/\overline{ALE}/\overline{CLKOUT}</math>, <math>\overline{HLDA}/\overline{ALE}</math>, <math>\overline{HOLD}</math>, <math>\overline{ALE}/\overline{RAS}</math>, and <math>\overline{RDY}</math> are ...</p> <p>Page 203 Figure 1.26.13 is partly revised.</p> <p>Page 207, 208 Timer A (event counter mode) --&gt; (3) addition, Timer A (one-shot timer mode) --&gt; (2) changes to (3), (2) and (4) addition</p> <p>Page 209 Timer B (pulse period/pulse width measurement mode) --&gt; (3) addition</p> <p>Page 212 to 214 (2) <math>\overline{NMI}</math> interrupt •The <math>\overline{NMI}</math> pin also serves as P85, ... •Signal of "L" level ... --&gt; addition</p> <p>(3) Address match interrupt From "• To return from an interrupt..." to "; Interrupt completed" on page 77 --&gt; addition</p> <p>(4) External interrupt, (5) Rewrite the interrupt control register --&gt; addition</p> <p>Page 215 Explanation of (3) is partly revised.</p> <p>Page 215 <math>\overline{HOLD}</math> signal --&gt; addition</p> <p>Page 216 DRAM controller --&gt; addition</p>	

## Revision history

Version	Contents for change	Revision date
	<p>Page 217 Setting the registers, Notes on the microprocessor mode ... single-chip mode - -&gt;addition</p> <p>Page 217 Explanation of note on Flash memroy version is added.</p> <p>Page 219 Note 2 80mA --&gt; -80mA</p> <p>Page 220 Table 1.28.3 Ta --&gt; Topr, Note2 --&gt; addition</p> <p>Pages 220, 243 Tables 1.28.3, 1.28.23 Icc Power supply current ROMless version --&gt; addition, Ta --&gt; Topr, Note 2 --&gt; addition</p> <p>Page 227 Calculation for td(AD-ALE) is partly revised.</p> <p>Page 234, 235 Figures 1.28.6 and 1.28.7 Timing for td(AD-ALE) is partly revised.</p> <p>Page 243 Table 1.28.23 Topr=25°C, when clock is stopped: 2.0µA --&gt; 1.0µA, Notes 1, 2 --&gt; addition</p> <p>Page 250 Table 1.28.41 th(BCLK-RD) Min. 0 ns --&gt; -3 ns</p> <p>Pages 251, 258 to 262 Table 1.28.42, figures 1.28.21 to 1.28.25 th(BCLK-CAS): -3 ns --&gt; 0 ns</p> <p>Pages 251, 259, 261 Table 1.28.42, figures 1.28.22, 1.28.24 th(BCLK-DW): 0 ns --&gt; -3 ns</p> <p>Page 266 Table 1.29.2 M30805FGGP RAM capacity <u>24</u> Kbytes --&gt; <u>20</u> Kbytes</p> <p>Page 270 Figure 1.30.1 Flash memory control register 0 Note 1 Also write to this bit ... "H" level. --&gt; addition</p> <p>Page 273 (3) Disabling erase or ... serial I/O mode --&gt; delete, (7), (8) --&gt; addition</p> <p>Page 285 Note --&gt; addition</p> <p>Page 288 --&gt; addition</p> <p>Pages 291, 307 Tables 1.31.1, 1.31.5 Note 2 ... status register 1 data --&gt; ... status register data 1</p> <p>Page 319 144P6Q-A version --&gt; addition</p>	
Rev.E1	Page 32 Table 1.7.3 --> change	16/03/01
Rev.E2	<p>Page 28 Figure 1.6.1 Note 8 --&gt; addition</p> <p>Page 88 Table for "Coefficient j, k" is partly revised.</p>	10/05/01

### Keep safety first in your circuit designs!

- Mitsubishi Electric Corporation puts the maximum effort into making semiconductor products better and more reliable, but there is always the possibility that trouble may occur with them. Trouble with semiconductors may lead to personal injury, fire or property damage. Remember to give due consideration to safety when making your circuit designs, with appropriate measures such as (i) placement of substitutive, auxiliary circuits, (ii) use of non-flammable material or (iii) prevention against any malfunction or mishap.

### Notes regarding these materials

- These materials are intended as a reference to assist our customers in the selection of the Mitsubishi semiconductor product best suited to the customer's application; they do not convey any license under any intellectual property rights, or any other rights, belonging to Mitsubishi Electric Corporation or a third party.
- Mitsubishi Electric Corporation assumes no responsibility for any damage, or infringement of any third-party's rights, originating in the use of any product data, diagrams, charts, programs, algorithms, or circuit application examples contained in these materials.
- All information contained in these materials, including product data, diagrams, charts, programs and algorithms represents information on products at the time of publication of these materials, and are subject to change by Mitsubishi Electric Corporation without notice due to product improvements or other reasons. It is therefore recommended that customers contact Mitsubishi Electric Corporation or an authorized Mitsubishi Semiconductor product distributor for the latest product information before purchasing a product listed herein.  
The information described here may contain technical inaccuracies or typographical errors. Mitsubishi Electric Corporation assumes no responsibility for any damage, liability, or other loss rising from these inaccuracies or errors.  
Please also pay attention to information published by Mitsubishi Electric Corporation by various means, including the Mitsubishi Semiconductor home page (<http://www.mitsubishichips.com>).
- When using any or all of the information contained in these materials, including product data, diagrams, charts, programs, and algorithms, please be sure to evaluate all information as a total system before making a final decision on the applicability of the information and products. Mitsubishi Electric Corporation assumes no responsibility for any damage, liability or other loss resulting from the information contained herein.
- Mitsubishi Electric Corporation semiconductors are not designed or manufactured for use in a device or system that is used under circumstances in which human life is potentially at stake. Please contact Mitsubishi Electric Corporation or an authorized Mitsubishi Semiconductor product distributor when considering the use of a product contained herein for any specific purposes, such as apparatus or systems for transportation, vehicular, medical, aerospace, nuclear, or undersea repeater use.
- The prior written approval of Mitsubishi Electric Corporation is necessary to reprint or reproduce in whole or in part these materials.
- If these products or technologies are subject to the Japanese export control restrictions, they must be exported under a license from the Japanese government and cannot be imported into a country other than the approved destination.  
Any diversion or reexport contrary to the export control laws and regulations of Japan and/or the country of destination is prohibited.
- Please contact Mitsubishi Electric Corporation or an authorized Mitsubishi Semiconductor product distributor for further details on these materials or the products contained therein.

MITSUBISHI SEMICONDUCTORS

---

M16C/80 Group DATA SHEET REV. E2

May First Edition 2001

Edited by

Committee of editing of Mitsubishi Semiconductor DATA SHEET

Published by

Mitsubishi Electric Corp., Kitaitami Works

---

This book, or parts thereof, may not be reproduced in any form without permission of Mitsubishi Electric Corporation.

©2001 MITSUBISHI ELECTRIC CORPORATION