

**7.5A, 30V, 0.026 Ohm, N-Channel, Logic Level Power MOSFET**

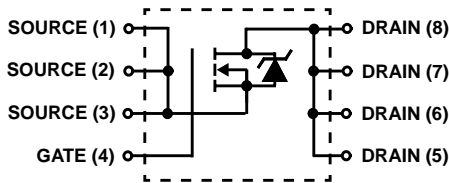
The HUF76112SK8 is an Application-Specific MOSFET optimized for switching when used as the upper switch in synchronous buck applications. The low gate charge and low input capacitance results in lower driver and lower switching losses, thereby increasing the overall system efficiency.



**Features**

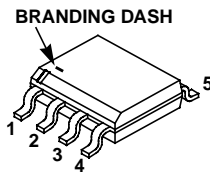
- 7.5A, 30V
  - $r_{DS(ON)} = 0.026\Omega$ ,  $V_{GS} = 10V$
  - $r_{DS(ON)} = 0.033\Omega$ ,  $V_{GS} = 5V$
- PWM Optimized for Synchronous Buck Applications
- Fast Switching
- Low Gate Charge
  - $Q_g$  Total 15nC (Typ)
- Low Capacitance
  - $C_{ISS}$  725pF (Typ)
  - $C_{RSS}$  36pF (Typ)

**Symbol**



**Packaging**

SO8 (JEDEC MS-012AA)



**Ordering Information**

PART NUMBER	PACKAGE	BRAND
HUF76112SK8	MS-012AA	76112SK8

NOTE: When ordering, use the entire part number. Add the suffix T to obtain the HUF76112SK8 in tape and reel, e.g., HUF76112SK8T.

**Absolute Maximum Ratings**  $T_A = 25^\circ C$ , Unless Otherwise Specified

SYMBOL	PARAMETER	HUF76112SK8	UNITS
$V_{DSS}$	Drain to Source Voltage (Note 1)	30	V
$V_{DGR}$	Drain to Gate Voltage ( $R_{GS} = 20k\Omega$ ) (Note 1)	30	V
$V_{GS}$	Gate to Source Voltage	$\pm 16$	V
$I_D$	Drain Current		
$I_D$	Continuous ( $T_A = 25^\circ C$ , $V_{GS} = 10V$ ) (Figure 2) (Note 2)	7.5	A
$I_D$	Continuous ( $T_A = 100^\circ C$ , $V_{GS} = 5V$ ) (Note 2)	4.0	A
$I_{DM}$	Pulsed Drain Current	Figure 4	A
$P_D$	Power Dissipation (Note 2)	2.5	W
	Derate Above $25^\circ C$	20	mW/ $^\circ C$
$T_J, T_{STG}$	Operating and Storage Temperature	-55 to 150	$^\circ C$
$T_L$	Maximum Temperature for Soldering		$^\circ C$
$T_{pkg}$	Leads at 0.063in (1.6mm) from Case for 10s	300	$^\circ C$
	Package Body for 10s, See Techbrief TB334	260	$^\circ C$
<b>THERMAL SPECIFICATIONS</b> Thermal Resistance Junction to Ambient			
$R_{\theta JA}$	Measured using FR-4 board with 0.76 in <sup>2</sup> (490.3 mm <sup>2</sup> ) copper pad at 10 second.	50	$^\circ C/W$
	Measured using FR-4 board with 0.054 in <sup>2</sup> (34.8 mm <sup>2</sup> ) copper pad at 1000 seconds. (Figure 23)	152	$^\circ C/W$
	Measured using FR-4 board with 0.0115 in <sup>2</sup> (7.42 mm <sup>2</sup> ) copper pad at 1000 seconds. (Figure 23)	189	$^\circ C/W$

NOTES:

1.  $T_J = 25^\circ C$  to  $125^\circ C$ .
2.  $R_{\theta JA} = 50^\circ C/W$

**CAUTION:** Stresses above those listed in "Absolute Maximum Ratings" may cause permanent damage to the device. This is a stress only rating and operation of the device at these or any other conditions above those indicated in the operational sections of this specification is not implied.

# HUF76112SK8

## Electrical Specifications $T_A = 25^\circ\text{C}$ , Unless Otherwise Specified

PARAMETER	SYMBOL	TEST CONDITIONS	MIN	TYP	MAX	UNITS	
<b>OFF STATE SPECIFICATIONS</b>							
Drain to Source Breakdown Voltage	$BV_{DSS}$	$I_D = 250\mu\text{A}$ , $V_{GS} = 0\text{V}$ (Figure 12)	30	-	-	V	
Zero Gate Voltage Drain Current	$I_{DSS}$	$V_{DS} = 25\text{V}$ , $V_{GS} = 0\text{V}$	-	-	1	$\mu\text{A}$	
		$V_{DS} = 25\text{V}$ , $V_{GS} = 0\text{V}$ , $T_A = 150^\circ\text{C}$	-	-	250	$\mu\text{A}$	
Gate to Source Leakage Current	$I_{GSS}$	$V_{GS} = \pm 16\text{V}$	-	-	$\pm 100$	nA	
<b>ON STATE SPECIFICATIONS</b>							
Gate to Source Threshold Voltage	$V_{GS(TH)}$	$V_{GS} = V_{DS}$ , $I_D = 250\mu\text{A}$ (Figure 11)	1	-	3	V	
Drain to Source On Resistance	$r_{DS(ON)}$	$I_D = 7.5\text{A}$ , $V_{GS} = 10\text{V}$ (Figures 9, 10)	-	0.022	0.026	$\Omega$	
		$I_D = 4.0\text{A}$ , $V_{GS} = 5\text{V}$ (Figure 9)	-	0.027	0.033	$\Omega$	
<b>SWITCHING SPECIFICATIONS (<math>V_{GS} = 5\text{V}</math>)</b>							
Turn-On Time	$t_{ON}$	$V_{DD} = 15\text{V}$ , $I_D = 4.0\text{A}$ $V_{GS} = 5\text{V}$ , $R_{GS} = 20\Omega$ (Figures 15, 21, 22)	-	-	77	ns	
Turn-On Delay Time	$t_{d(ON)}$		-	11	-	ns	
Rise Time	$t_r$		-	40	-	ns	
Turn-Off Delay Time	$t_{d(OFF)}$		-	35	-	ns	
Fall Time	$t_f$		-	32	-	ns	
Turn-Off Time	$t_{OFF}$		-	-	100	ns	
<b>SWITCHING SPECIFICATIONS (<math>V_{GS} = 10\text{V}</math>)</b>							
Turn-On Time	$t_{ON}$	$V_{DD} = 15\text{V}$ , $I_D = 7.5\text{A}$ $V_{GS} = 10\text{V}$ , $R_{GS} = 20\Omega$ (Figures 16, 21, 22)	-	-	75	ns	
Turn-On Delay Time	$t_{d(ON)}$		-	7.2	-	ns	
Rise Time	$t_r$		-	43	-	ns	
Turn-Off Delay Time	$t_{d(OFF)}$		-	52	-	ns	
Fall Time	$t_f$		-	45	-	ns	
Turn-Off Time	$t_{OFF}$		-	-	145	ns	
<b>GATE CHARGE SPECIFICATIONS</b>							
Total Gate Charge at 10V	$Q_{g(TOT)}$	$V_{GS} = 0\text{V to } 10\text{V}$	$V_{DD} = 15\text{V}$ , $I_D = 7.5\text{A}$ , $I_{g(REF)} = 1.0\text{mA}$ (Figures 14, 19, 20)	-	15	18	nC
Total Gate Charge at 5V	$Q_{g(TOT)}$	$V_{GS} = 0\text{V to } 5\text{V}$		-	7.2	8.7	nC
Threshold Gate Charge	$Q_{g(TH)}$	$V_{GS} = 0\text{V to } 1\text{V}$		-	0.74	0.9	nC
Gate to Source Gate Charge	$Q_{gs}$			-	2.1	-	nC
Gate to Drain "Miller" Charge	$Q_{gd}$			-	2.9	-	nC
<b>CAPACITANCE SPECIFICATIONS</b>							
Input Capacitance	$C_{ISS}$	$V_{DS} = 25\text{V}$ , $V_{GS} = 0\text{V}$ , $f = 1\text{MHz}$ (Figures 13)	-	725	-	pF	
Output Capacitance	$C_{OSS}$		-	325	-	pF	
Reverse Transfer Capacitance	$C_{RSS}$		-	36	-	pF	

## Source to Drain Diode Specifications

PARAMETER	SYMBOL	TEST CONDITIONS	MIN	TYP	MAX	UNITS
Source to Drain Diode Voltage	$V_{SD}$	$I_{SD} = 7.5\text{A}$	-	-	1.25	V
		$I_{SD} = 4\text{A}$	-	-	1.00	V
Reverse Recovery Time	$t_{rr}$	$I_{SD} = 7.5\text{A}$ , $dI_{SD}/dt = 100\text{A}/\mu\text{s}$	-	-	25	ns
Reverse Recovered Charge	$Q_{RR}$	$I_{SD} = 7.5\text{A}$ , $dI_{SD}/dt = 100\text{A}/\mu\text{s}$	-	-	14	nC

Typical Performance Curves

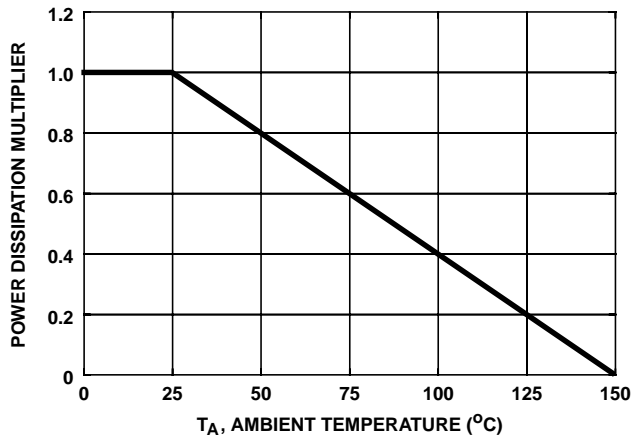


FIGURE 1. NORMALIZED POWER DISSIPATION vs AMBIENT TEMPERATURE

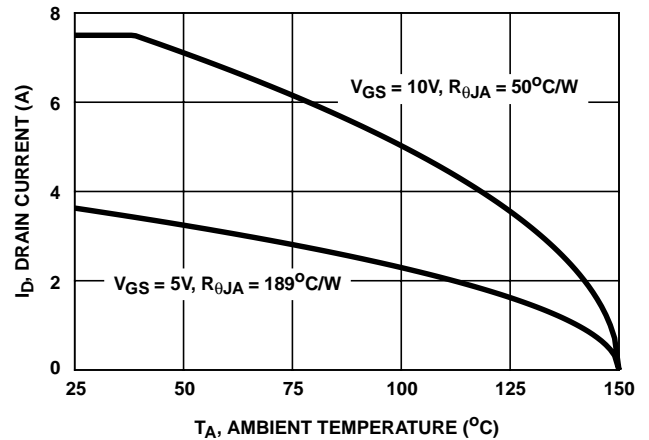


FIGURE 2. MAXIMUM CONTINUOUS DRAIN CURRENT vs AMBIENT TEMPERATURE

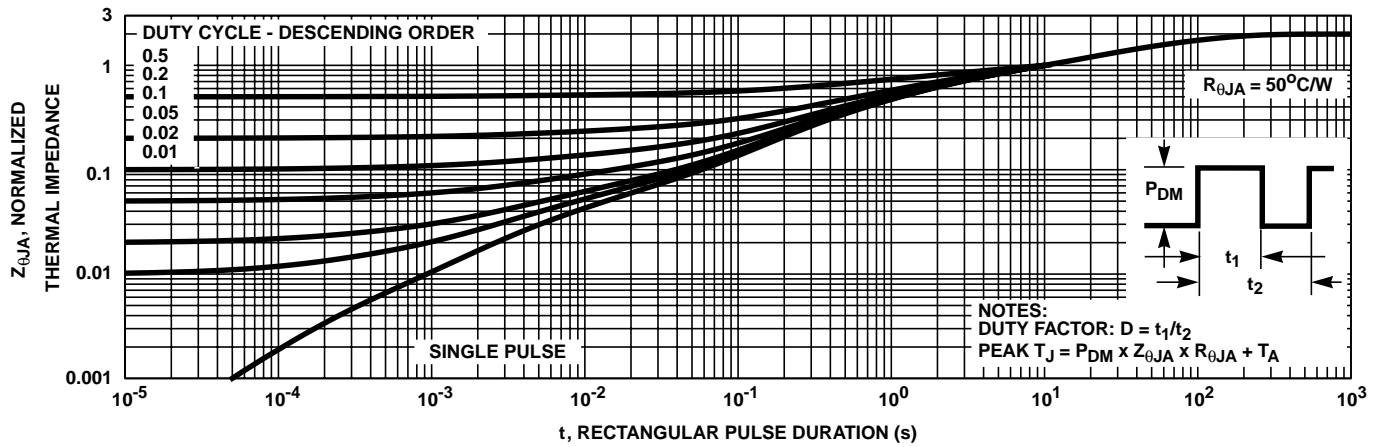


FIGURE 3. NORMALIZED MAXIMUM TRANSIENT THERMAL IMPEDANCE

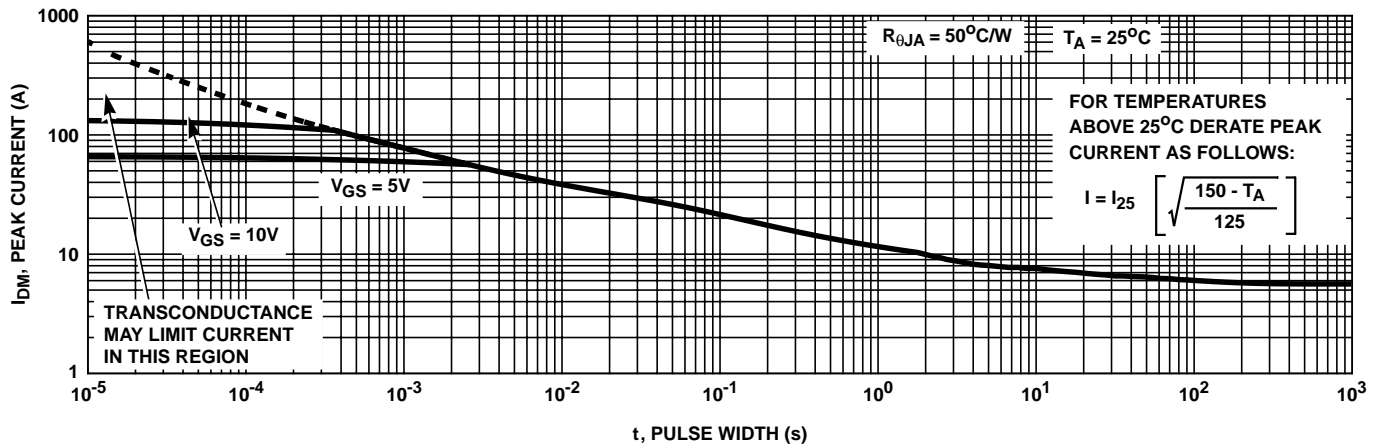


FIGURE 4. PEAK CURRENT CAPABILITY

Typical Performance Curves (Continued)

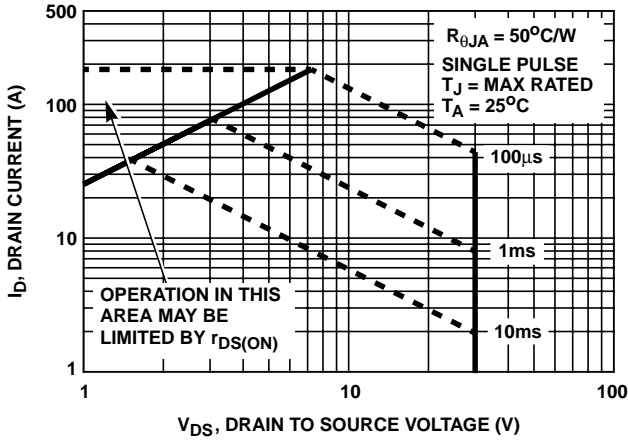
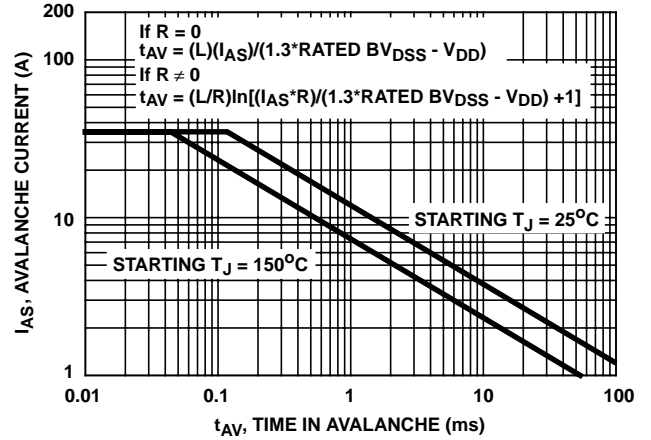


FIGURE 5. FORWARD BIAS SAFE OPERATING AREA



NOTE: Refer to Intersil Application Notes AN9321 and AN9322.

FIGURE 6. UNCLAMPED INDUCTIVE SWITCHING CAPABILITY

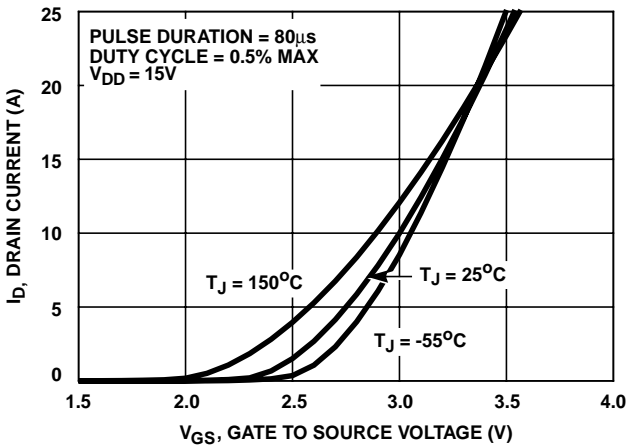


FIGURE 7. TRANSFER CHARACTERISTICS

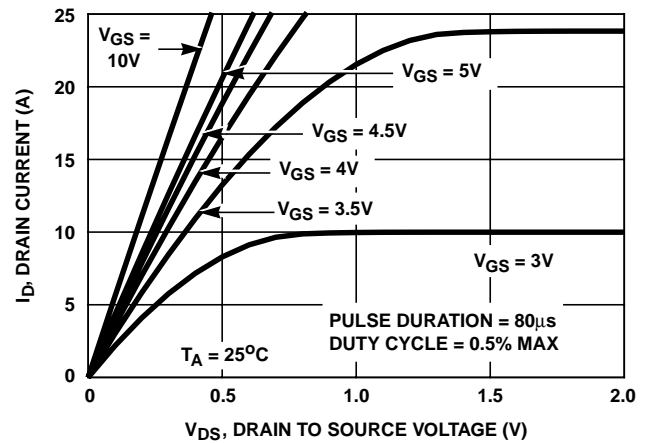


FIGURE 8. SATURATION CHARACTERISTICS

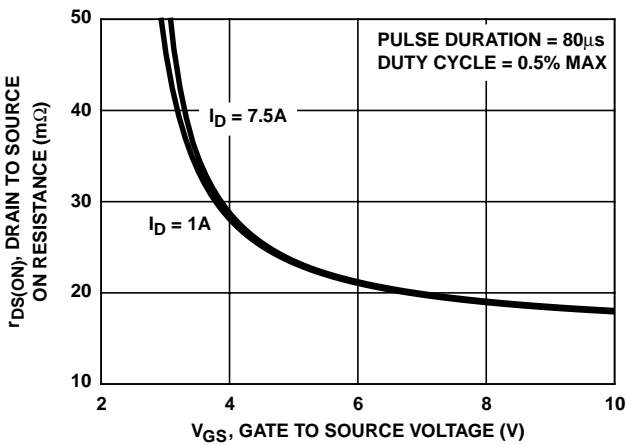


FIGURE 9. DRAIN TO SOURCE ON RESISTANCE vs GATE VOLTAGE AND DRAIN CURRENT

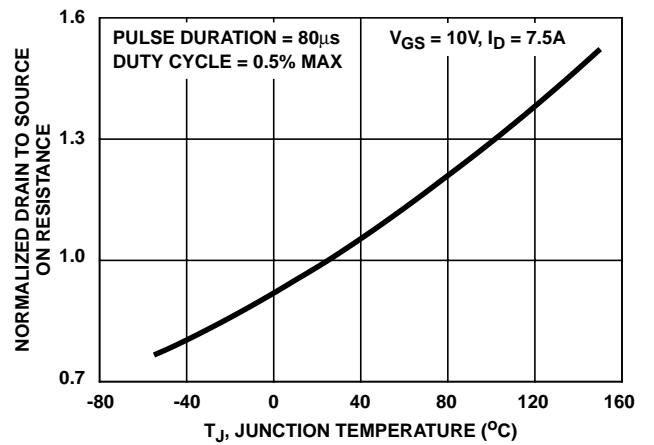


FIGURE 10. NORMALIZED DRAIN TO SOURCE ON RESISTANCE vs JUNCTION TEMPERATURE

Typical Performance Curves (Continued)

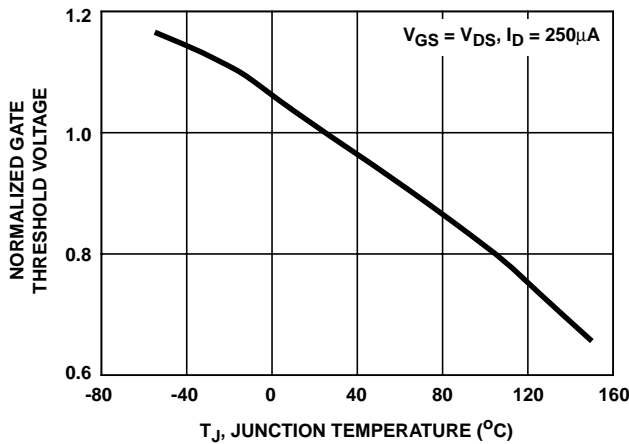


FIGURE 11. NORMALIZED GATE THRESHOLD VOLTAGE vs JUNCTION TEMPERATURE

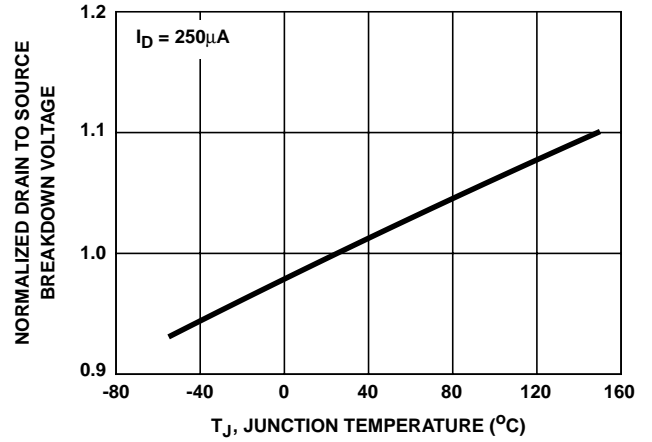


FIGURE 12. NORMALIZED DRAIN TO SOURCE BREAKDOWN VOLTAGE vs JUNCTION TEMPERATURE

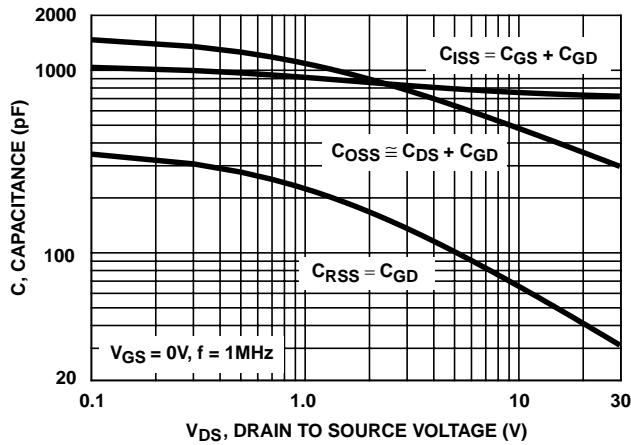
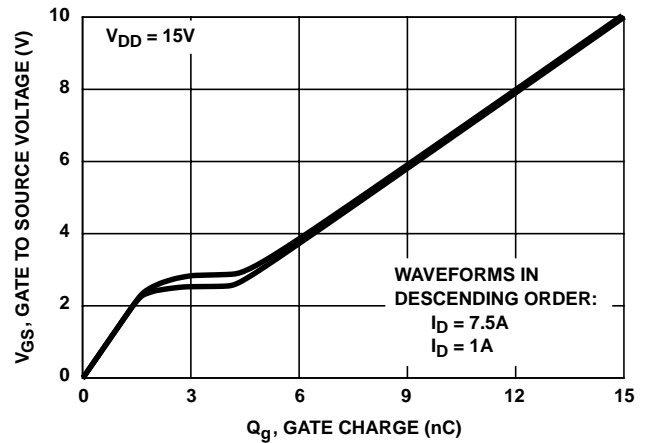


FIGURE 13. CAPACITANCE vs DRAIN TO SOURCE VOLTAGE



NOTE: Refer to Intersil Application Notes AN7254 and AN7260.

FIGURE 14. GATE CHARGE WAVEFORMS FOR CONSTANT GATE CURRENT

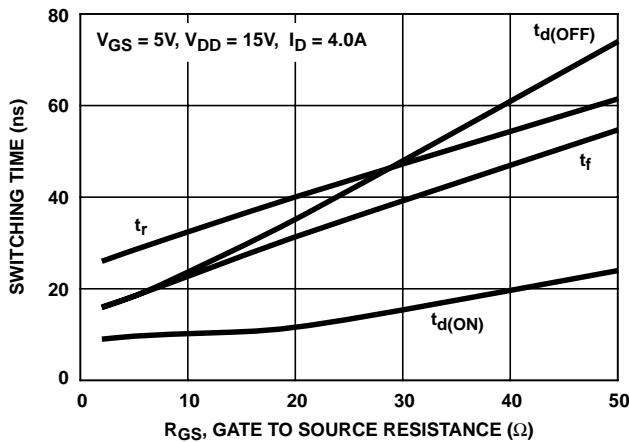


FIGURE 15. SWITCHING TIME vs GATE RESISTANCE

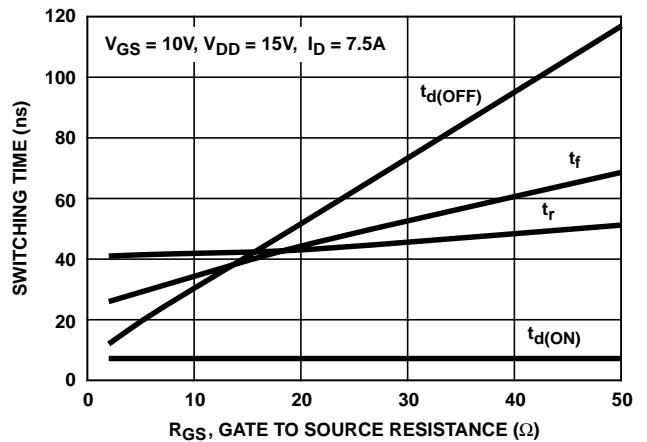


FIGURE 16. SWITCHING TIME vs GATE RESISTANCE

Test Circuits and Waveforms

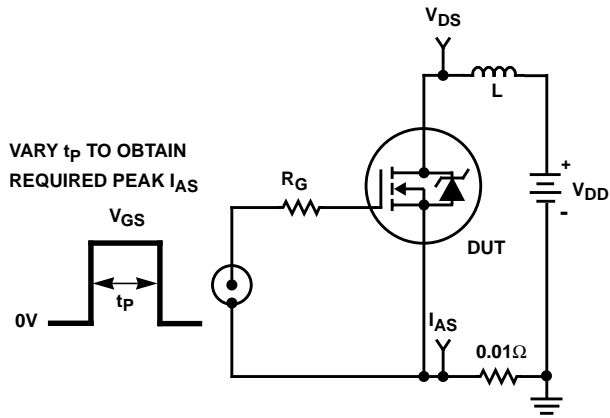


FIGURE 17. UNCLAMPED ENERGY TEST CIRCUIT

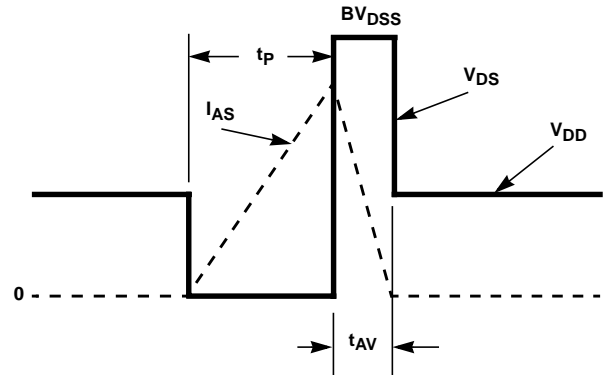


FIGURE 18. UNCLAMPED ENERGY WAVEFORMS

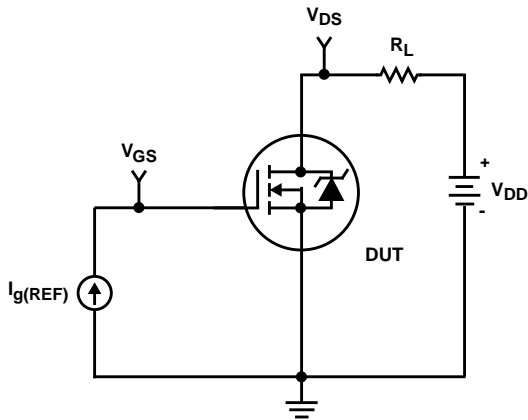


FIGURE 19. GATE CHARGE TEST CIRCUIT

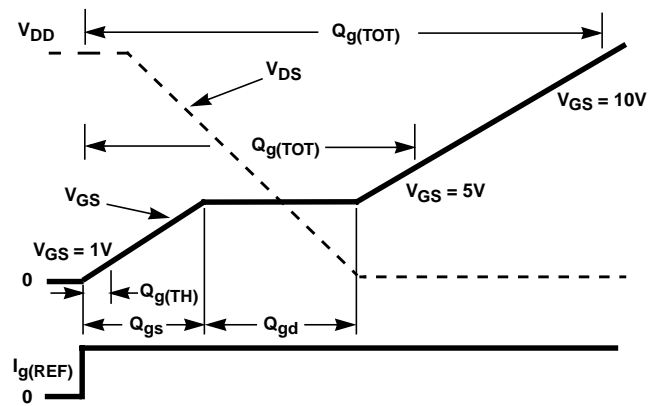


FIGURE 20. GATE CHARGE WAVEFORMS

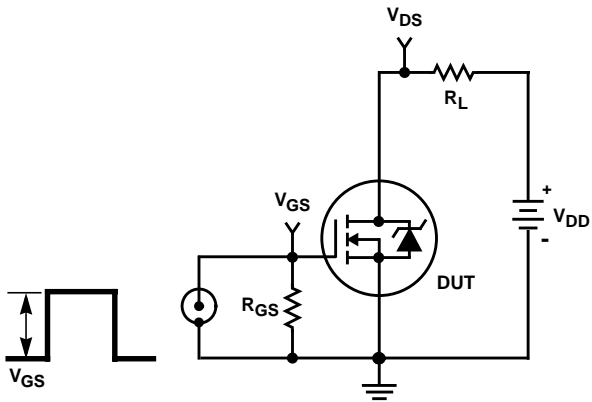


FIGURE 21. SWITCHING TIME TEST CIRCUIT

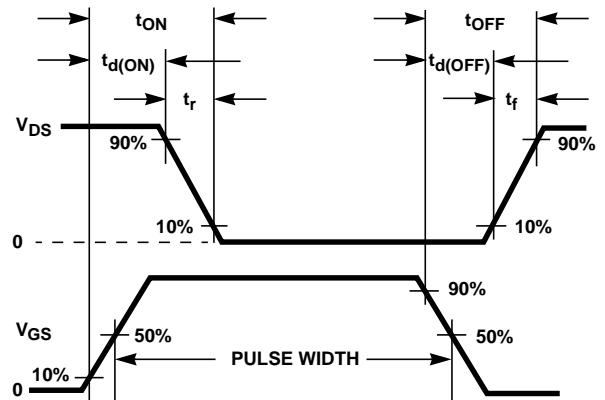


FIGURE 22. SWITCHING TIME WAVEFORM

### Thermal Resistance vs Mounting Pad Area

The maximum rated junction temperature,  $T_{JM}$ , and the thermal resistance of the heat dissipating path determines the maximum allowable device power dissipation,  $P_{DM}$ , in an application. Therefore the application's ambient temperature,  $T_A$  ( $^{\circ}C$ ), and thermal resistance  $R_{\theta JA}$  ( $^{\circ}C/W$ ) must be reviewed to ensure that  $T_{JM}$  is never exceeded. Equation 1 mathematically represents the relationship and serves as the basis for establishing the rating of the part.

$$P_{DM} = \frac{(T_{JM} - T_A)}{Z_{\theta JA}} \quad (EQ. 1)$$

In using surface mount devices such as the SO8 package, the environment in which it is applied will have a significant influence on the part's current and maximum power dissipation ratings. Precise determination of  $P_{DM}$  is complex and influenced by many factors:

1. Mounting pad area onto which the device is attached and whether there is copper on one side or both sides of the board.
2. The number of copper layers and the thickness of the board.
3. The use of external heat sinks.
4. The use of thermal vias.
5. Air flow and board orientation.
6. For non steady state applications, the pulse width, the duty cycle and the transient thermal response of the part, the board and the environment they are in.

Intersil provides thermal information to assist the designer's preliminary application evaluation. Figure 23 defines the  $R_{\theta JA}$  for the device as a function of the top copper (component side) area. This is for a horizontally positioned FR-4 board with 1oz copper after 1000 seconds of steady state power with no air flow. This graph provides the necessary information for calculation of the steady state junction temperature or power dissipation. Pulse applications can be evaluated using the Intersil device Spice thermal model or manually utilizing the normalized maximum transient thermal impedance curve.

Displayed on the curve are  $R_{\theta JA}$  values listed in the Electrical Specifications table. The points were chosen to depict the

compromise between the copper board area, the thermal resistance and ultimately the power dissipation,  $P_{DM}$ .

Thermal resistances corresponding to other copper areas can be obtained from Figure 23 or by calculation using Equation 2.  $R_{\theta JA}$  is defined as the natural log of the area times a coefficient added to a constant. The area, in square inches is the top copper area including the gate and source pads.

$$R_{\theta JA} = 83.2 - 23.6 \times \ln(\text{Area}) \quad (EQ. 2)$$

The transient thermal impedance ( $Z_{\theta JA}$ ) is also effected by varied top copper board area. Figure 24 shows the effect of copper pad area on single pulse transient thermal impedance. Each trace represents a copper pad area in square inches corresponding to the descending list in the graph. Spice and SABER thermal models are provided for each of the listed pad areas.

Copper pad area has no perceivable effect on transient thermal impedance for pulse widths less than 100ms. For pulse widths less than 100ms the transient thermal impedance is determined by the die and package. Therefore, CTHERM1 through CTHERM5 and RTHERM1 through RTHERM5 remain constant for each of the thermal models. A listing of the model component values is available in Table 1.

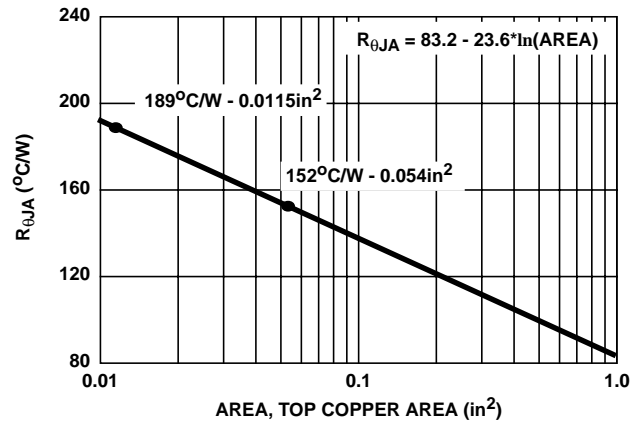


FIGURE 23. THERMAL RESISTANCE vs MOUNTING PAD AREA

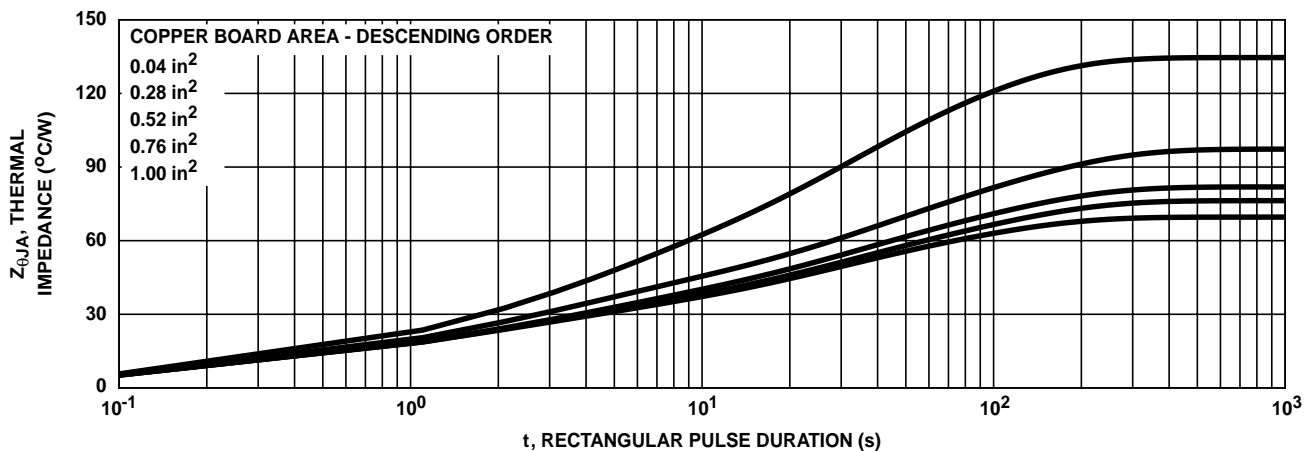


FIGURE 24. THERMAL IMPEDANCE vs MOUNTING PAD AREA

**PSPICE Electrical Model**

.SUBCKT HUF76112SK8 2 1 3 ; REV 9 Mar 2000

CA 12 8 8.00e-10  
 CB 15 14 7.40e-10  
 CIN 6 8 6.90e-10

DBODY 7 5 DBODYMOD  
 DBREAK 5 11 DBREAKMOD  
 DPLCAP 10 5 DPLCAPMOD

EBREAK 11 7 17 18 31.89  
 EDS 14 8 5 8 1  
 EGS 13 8 6 8 1  
 ESG 6 10 6 8 1  
 EVTHRES 6 21 19 8 1  
 EVTEMP 20 6 18 22 1

IT 8 17 1

LDRAIN 2 5 1.00e-9  
 LGATE 1 9 1.12e-9  
 LSOURCE 3 7 1.29e-10

MMED 16 6 8 8 MMEDMOD  
 MSTRO 16 6 8 8 MSTROMOD  
 MWEAK 16 21 8 8 MWEAKMOD

RBREAK 17 18 RBREAKMOD 1  
 RDRAIN 50 16 RDRAINMOD 5.00e-3  
 RGATE 9 20 2.82  
 RLDRAIN 2 5 10  
 RLGATE 1 9 9 11.2  
 RLSOURCE 3 7 1.29  
 RSLC1 5 51 RSLCMOD 1e-6  
 RSLC2 5 50 1e3  
 RSOURCE 8 7 RSOURCEMOD 10.00e-3  
 RVTHRES 22 8 RVTHRESMOD 1  
 RVTEMP 18 19 RVTEMPMOD 1

S1A 6 12 13 8 S1AMOD  
 S1B 13 12 13 8 S1BMOD  
 S2A 6 15 14 13 S2AMOD  
 S2B 13 15 14 13 S2BMOD

VBAT 22 19 DC 1

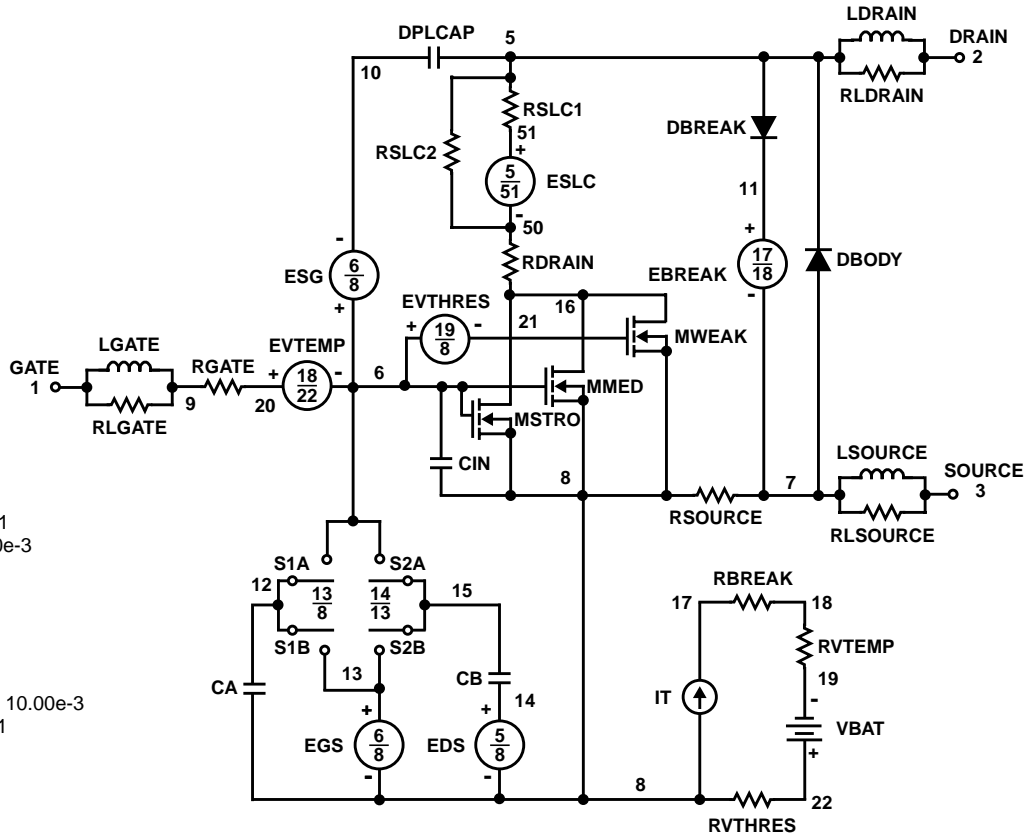
ESLC 51 50 VALUE={(V(5,51)/ABS(V(5,51)))\*(PWR(V(5,51)/(1e-6\*215),2))}

.MODEL DBODYMOD D (IS = 7.75e-13 RS = 8.08e-3 TRS1 = -1.89e-4 TRS2 = 0 CJO = 1.17e-9 TT = 1.41e-8 M = 0.43)  
 .MODEL DBREAKMOD D (RS = 1.34e-1 TRS1 = 0 TRS2 = 0)  
 .MODEL DPLCAPMOD D (CJO = 3.72e-10 IS = 1e-30 M = 0.72)  
 .MODEL MMEDMOD NMOS (VTO = 1.90 KP = 1.75 IS = 1e-30 N = 10 TOX = 1 L = 1u W = 1u RG = 2.82)  
 .MODEL MSTROMOD NMOS (VTO = 2.25 KP = 43 IS = 1e-30 N = 10 TOX = 1 L = 1u W = 1u)  
 .MODEL MWEAKMOD NMOS (VTO = 1.70 KP = 0.10 IS = 1e-30 N = 10 TOX = 1 L = 1u W = 1u RG = 28.2 RS = 0.1)  
 .MODEL RBREAKMOD RES (TC1 = 9.15e-4 TC2 = -2.97e-7)  
 .MODEL RDRAINMOD RES (TC1 = 7.40e-3 TC2 = 2.00e-5)  
 .MODEL RSLCMOD RES (TC1 = 4.93e-3 TC2 = 1.01e-6)  
 .MODEL RSOURCEMOD RES (TC1 = 1.00e-3 TC2 = 0)  
 .MODEL RVTHRESMOD RES (TC1 = -1.85e-3 TC2 = -5.28e-6)  
 .MODEL RVTEMPMOD RES (TC1 = -1.55e-3 TC2 = 0)

.MODEL S1AMOD VSWITCH (RON = 1e-5 ROFF = 0.1 VON = -6.50 VOFF = -2.50)  
 .MODEL S1BMOD VSWITCH (RON = 1e-5 ROFF = 0.1 VON = -2.50 VOFF = -6.50)  
 .MODEL S2AMOD VSWITCH (RON = 1e-5 ROFF = 0.1 VON = -2.20 VOFF = 0)  
 .MODEL S2BMOD VSWITCH (RON = 1e-5 ROFF = 0.1 VON = 0 VOFF = -2.20)

.ENDS

NOTE: For further discussion of the PSPICE model, consult **A New PSPICE Sub-Circuit for the Power MOSFET Featuring Global Temperature Options**; IEEE Power Electronics Specialist Conference Records, 1991, written by William J. Hepp and C. Frank Wheatley.





**SABER Electrical Model**

REV 9 Mar 2000

template huf76112SK8 n2,n1,n3  
electrical n2,n1,n3

```

{
var i iscl
dp..model dbodymod = (is = 7.75e-13,rs=8.08e-3,trs1=-1.89e-4,trs2=0, cjo = 1.17e-9, tt = 1.41e-8, m = 0.43)
dp..model dbreakmod = (rs=1.34e-1,trs1=0,trs2=0)
dp..model dplcapmod = (cjo = 3.72e-10, is = 1e-30, m = 0.72)
m..model mmedmod = (type=_n, vto = 1.90, kp = 1.75, is = 1e-30, tox = 1)
m..model mstrongmod = (type=_n, vto = 2.25, kp = 43, is = 1e-30, tox = 1)
m..model mweakmod = (type=_n, vto = 1.70, kp = 0.10, is = 1e-30, tox = 1)
sw_vcsp..model s1amod = (ron = 1e-5, roff = 0.1, von = -6.5, voff = -2.5)
sw_vcsp..model s1bmod = (ron = 1e-5, roff = 0.1, von = -2.5, voff = -6.5)
sw_vcsp..model s2amod = (ron = 1e-5, roff = 0.1, von = -2.2, voff = 0)
sw_vcsp..model s2bmod = (ron = 1e-5, roff = 0.1, von = 0, voff = -2.2)

```

```

c.ca n12 n8 = 8.00e-10
c.cb n15 n14 = 7.40e-10
c.cin n6 n8 = 6.90e-10

```

```

dp.dbody n7 n5 = model=dbodymod
dp.dbreak n5 n11 = model=dbreakmod
dp.dplcap n10 n5 = model=dplcapmod

```

```
i.it n8 n17 = 1
```

```

l.ldrain n2 n5 = 1.00e-9
l.lgate n1 n9 = 1.12e-9
l.lsource n3 n7 = 1.29e-10

```

```

m.mmed n16 n6 n8 n8 = model=mmedmod, l=1u, w=1u
m.mstrong n16 n6 n8 n8 = model=mstrongmod, l=1u, w=1u
m.mweak n16 n21 n8 n8 = model=mweakmod, l=1u, w=1u

```

```

res.rbreak n17 n18 = 1, tc1 = 9.15e-4, tc2 = -2.97e-7
res.rdrain n50 n16 = 5.00e-3, tc1 = 7.40e-3, tc2 = 2.00e-5
res.rgate n9 n20 = 2.82
res.rldrain n2 n5 = 10
res.rlgate n1 n9 = 11.2
res.rlsource n3 n7 = 1.29
res.rslc1 n51 n51 = 1e-6, tc1 = 4.93e-3, tc2 = 1.01e-6
res.rslc2 n5 n50 = 1e3
res.rsorce n8 n7 = 10.00e-3, tc1 = 1.00e-3, tc2 = 0
res.rvtemp n18 n19 = 1, tc1 = -1.55e-3, tc2 = 0
res.rvthres n22 n8 = 1, tc1 = -1.85e-3, tc2 = -5.28e-6

```

```

spe.ebreak n11 n7 n17 n18 = 31.89
spe.eds n14 n8 n5 n8 = 1
spe.egs n13 n8 n6 n8 = 1
spe.esg n6 n10 n6 n8 = 1
spe.evtemp n20 n6 n18 n22 = 1
spe.evthres n6 n21 n19 n8 = 1

```

```

sw_vcsp.s1a n6 n12 n13 n8 = model=s1amod
sw_vcsp.s1b n13 n12 n13 n8 = model=s1bmod
sw_vcsp.s2a n6 n15 n14 n13 = model=s2amod
sw_vcsp.s2b n13 n15 n14 n13 = model=s2bmod

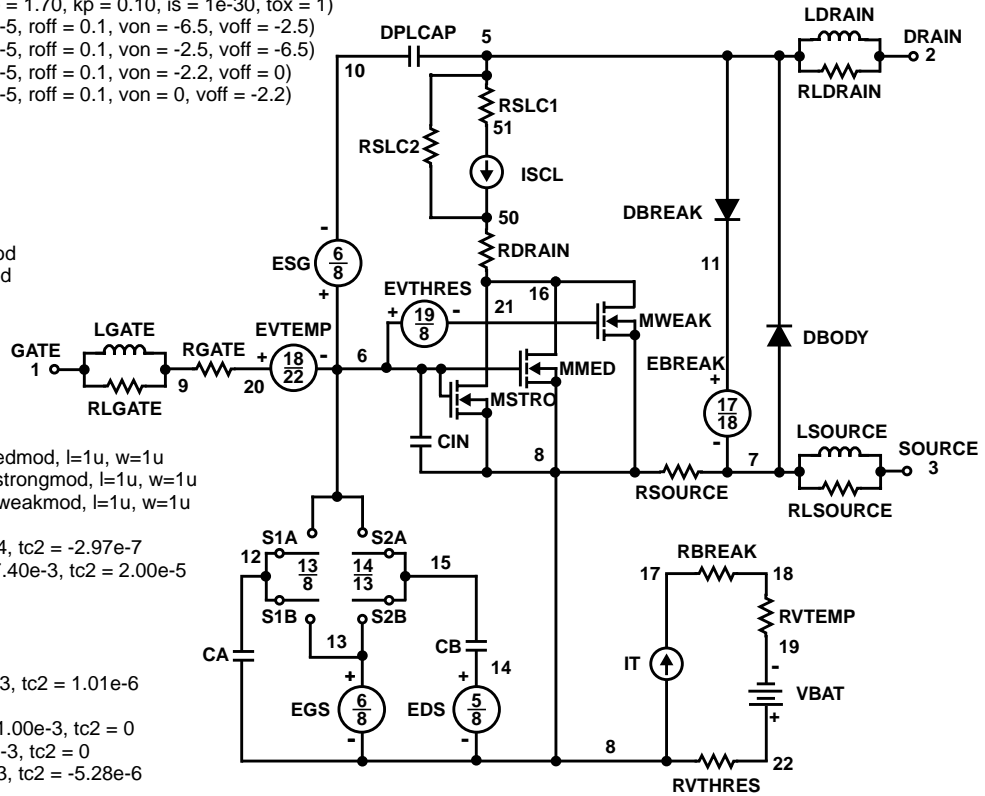
```

```
v.vbat n22 n19 = dc=1
```

```

equations {
i (n51->n50) +=iscl
iscl: v(n51,n50) = (((v(n5,n51))/(1e-9+abs(v(n5,n51))))*((abs(v(n5,n51))*1e6/215)** 2))
}
}

```



**SPICE Thermal Model**

REV 11 Nov 1999

ITF86130SK8T

Copper Area = 0.04 in<sup>2</sup>

CTHERM1 th 8 2.0e-3  
 CHERM2 8 7 5.0e-3  
 CHERM3 7 6 1.0e-2  
 CHERM4 6 5 4.0e-2  
 CHERM5 5 4 9.0e-2  
 CHERM6 4 3 1.2e-1  
 CHERM7 3 2 0.5  
 CHERM8 2 tl 1.3

RHERM1 th 8 0.1  
 RHERM2 8 7 0.5  
 RHERM3 7 6 1.0  
 RHERM4 6 5 5.0  
 RHERM5 5 4 8.0  
 RHERM6 4 3 26  
 RHERM7 3 2 39  
 RHERM8 2 tl 55

**SABER Thermal Model**

Copper Area = 0.04 in<sup>2</sup>

template thermal\_model th tl  
 thermal\_c th, tl

```
{
ctherm.ctherm1 th 8 = 2.0e-3
ctherm.ctherm2 8 7 = 5.0e-3
ctherm.ctherm3 7 6 = 1.0e-2
ctherm.ctherm4 6 5 = 4.0e-2
ctherm.ctherm5 5 4 = 9.0e-2
ctherm.ctherm6 4 3 = 1.2e-1
ctherm.ctherm7 3 2 = 0.5
ctherm.ctherm8 2 tl = 1.3
```

```
rtherm.rtherm1 th 8 = 0.1
rtherm.rtherm2 8 7 = 0.5
rtherm.rtherm3 7 6 = 1.0
rtherm.rtherm4 6 5 = 5.0
rtherm.rtherm5 5 4 = 8.0
rtherm.rtherm6 4 3 = 26
rtherm.rtherm7 3 2 = 39
rtherm.rtherm8 2 tl = 55
}
```

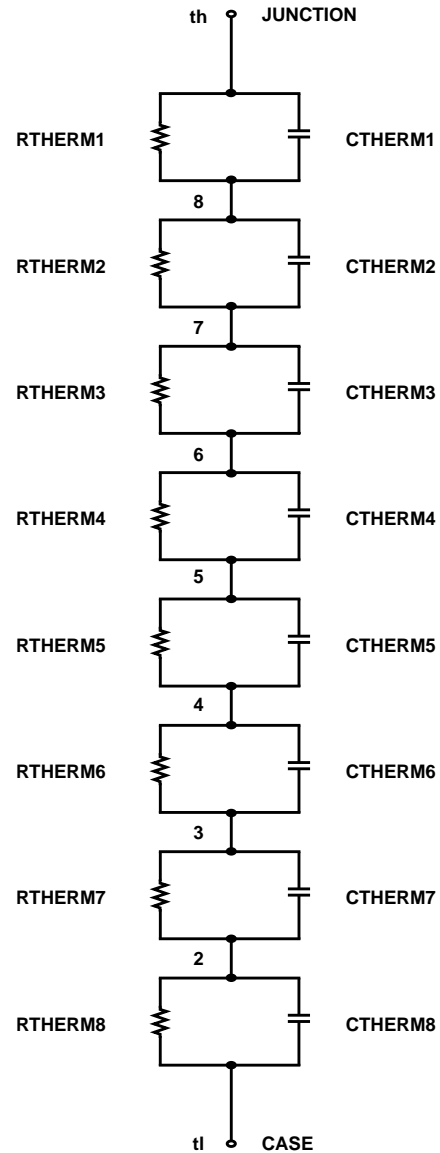
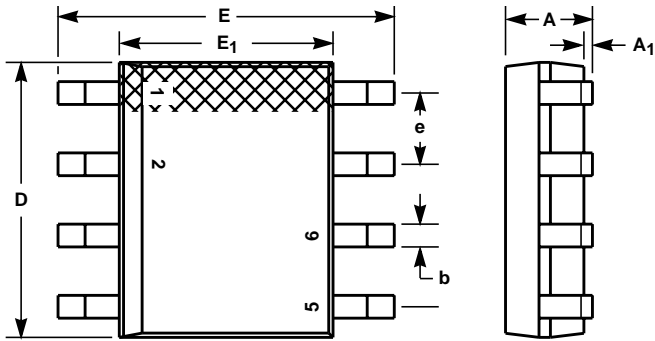


TABLE 1. THERMAL MODELS

COMPONENT	0.04in <sup>2</sup>	0.28in <sup>2</sup>	0.52in <sup>2</sup>	0.76in <sup>2</sup>	1.0in <sup>2</sup>
CTHERM6	1.2e-1	1.5e-1	2.0e-1	2.0e-1	2.0e-1
CTHERM7	0.5	1.0	1.0	1.0	1.0
CTHERM8	1.3	2.8	3.0	3.0	3.0
RHERM6	26	20	15	13	12
RHERM7	39	24	21	19	18
RHERM8	55	38.7	31.3	29.7	25

**MS-012AA**

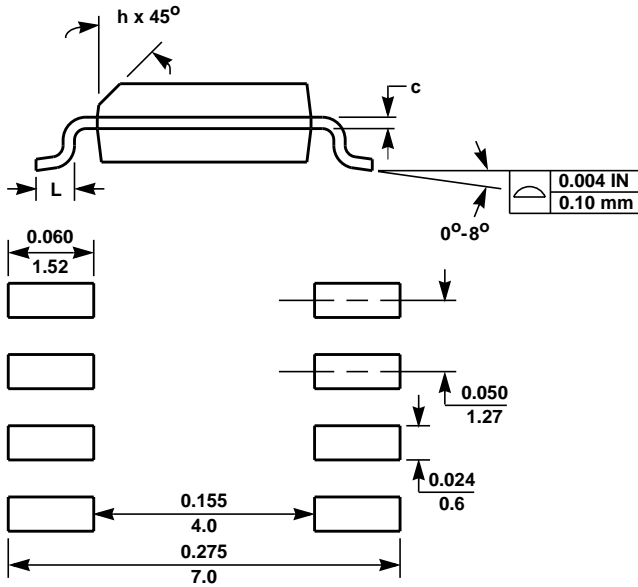
8 LEAD JEDEC MS-012AA SMALL OUTLINE PLASTIC PACKAGE



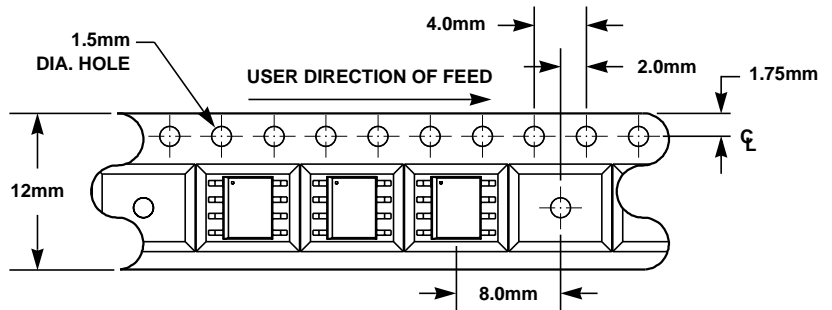
SYMBOL	INCHES		MILLIMETERS		NOTES
	MIN	MAX	MIN	MAX	
A	0.0532	0.0688	1.35	1.75	-
A <sub>1</sub>	0.004	0.0098	0.10	0.25	-
b	0.013	0.020	0.33	0.51	-
c	0.0075	0.0098	0.19	0.25	-
D	0.189	0.1968	4.80	5.00	2
E	0.2284	0.244	5.80	6.20	-
E <sub>1</sub>	0.1497	0.1574	3.80	4.00	3
e	0.050 BSC		1.27 BSC		-
H	0.0099	0.0196	0.25	0.50	-
L	0.016	0.050	0.40	1.27	4

NOTES:

1. All dimensions are within allowable dimensions of Rev. C of JEDEC MS-012AA outline dated 5-90.
2. Dimension "D" does not include mold flash, protrusions or gate burrs. Mold flash, protrusions or gate burrs shall not exceed 0.006 inches (0.15mm) per side.
3. Dimension "E<sub>1</sub>" does not include inter-lead flash or protrusions. Inter-lead flash and protrusions shall not exceed 0.010 inches (0.25mm) per side.
4. "L" is the length of terminal for soldering.
5. The chamfer on the body is optional. If it is not present, a visual index feature must be located within the crosshatched area.
6. Controlling dimension: Millimeter.
7. Revision 8 dated 5-99.

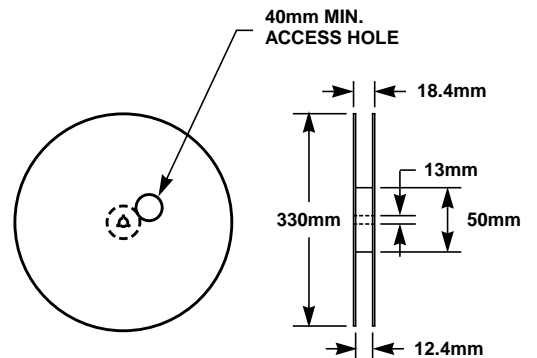
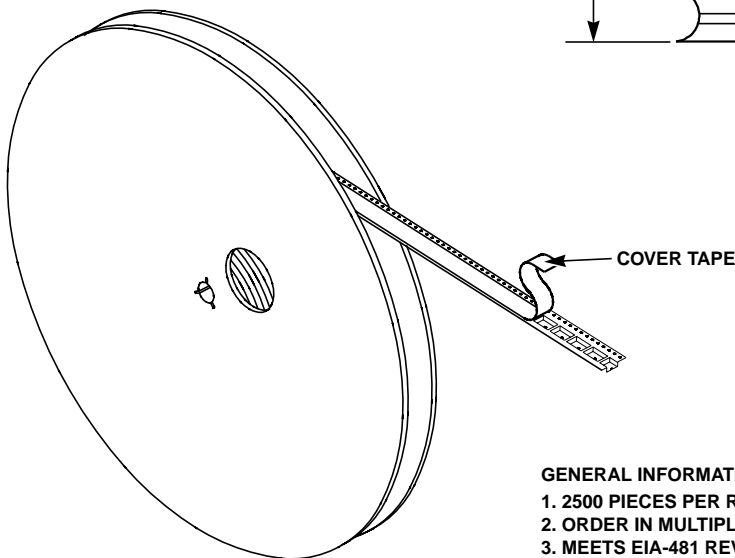


MINIMUM RECOMMENDED FOOTPRINT FOR SURFACE-MOUNTED APPLICATIONS



**MS-012AA**

12mm TAPE AND REEL



GENERAL INFORMATION

1. 2500 PIECES PER REEL.
2. ORDER IN MULTIPLES OF FULL REELS ONLY.
3. MEETS EIA-481 REVISION "A" SPECIFICATIONS.

All Intersil semiconductor products are manufactured, assembled and tested under **ISO9000** quality systems certification.

*Intersil semiconductor products are sold by description only. Intersil Corporation reserves the right to make changes in circuit design and/or specifications at any time without notice. Accordingly, the reader is cautioned to verify that data sheets are current before placing orders. Information furnished by Intersil is believed to be accurate and reliable. However, no responsibility is assumed by Intersil or its subsidiaries for its use; nor for any infringements of patents or other rights of third parties which may result from its use. No license is granted by implication or otherwise under any patent or patent rights of Intersil or its subsidiaries.*

For information regarding Intersil Corporation and its products, see web site **www.intersil.com**

### **Sales Office Headquarters**

#### **NORTH AMERICA**

Intersil Corporation  
P. O. Box 883, Mail Stop 53-204  
Melbourne, FL 32902  
TEL: (321) 724-7000  
FAX: (321) 724-7240

#### **EUROPE**

Intersil SA  
Mercure Center  
100, Rue de la Fusee  
1130 Brussels, Belgium  
TEL: (32) 2.724.2111  
FAX: (32) 2.724.22.05

#### **ASIA**

Intersil (Taiwan) Ltd.  
7F-6, No. 101 Fu Hsing North Road  
Taipei, Taiwan  
Republic of China  
TEL: (886) 2 2716 9310  
FAX: (886) 2 2715 3029