

**Features**

- Operating voltage: 2.4V~5.0V
- Directly drives an external transistor
- Low standby current (1 $\mu$ A typ. for V<sub>DD</sub>=3V)
- Minimal external components
- 508 words table ROM for key functions
- Programmable silence length and end-pulse width (minimal end-pulse width is 330 $\mu$ s at a 6kHz sampling rate)
- 11.2-second voice capacity (based on a 6kHz sampling rate)
- FLAG1 options
  - End-pulse output
  - 3HzB flash
  - 6HzB flash
  - Voice output indication
  - Busy output
- FLAG2 options
  - 3Hz flash
  - 6Hz flash
  - Busy output
- Controllable volume
- 12 keys
- Key options
  - Stop key: KEY12
  - Random (only for KEY1)
  - Sequential (only for KEY1)
  - Repeat (for all KEYS)
  - Key debounce time (for all KEYS): 700 $\mu$ s, 22ms, 45ms, 180ms (based on a sampling rate of 6kHz)
  - One shot (for all KEYS)
  - Level-trigger
  - Pull-high resistance (for all KEYS)
- Section options
  - Retriggerable
  - Non-retriggerable
- Dice form or 16/20/24-pin DIP, 20/24-pin SOP package

**Applications**

- Leisure products
- Alarm clocks
- Public address system
- Alert & warning system
- Sound effect generators

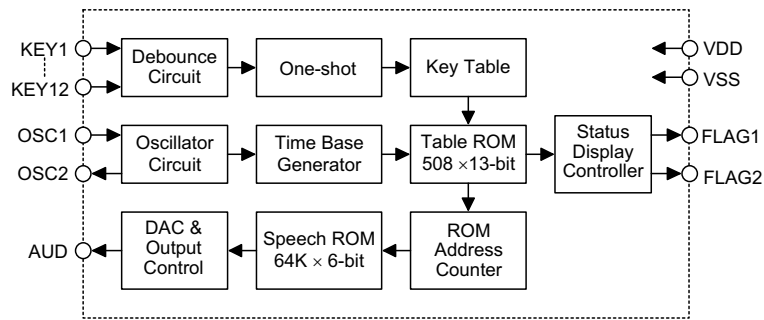
**General Description**

The HT815D0 is a single chip LOG-PCM voice synthesizer LSI with 11.2-second voice capacity at 6kHz sampling rate. The chip when triggered drives a speaker through an external transistor with a current switch D/A converter output. Negligible current will be consumed in the standby state.

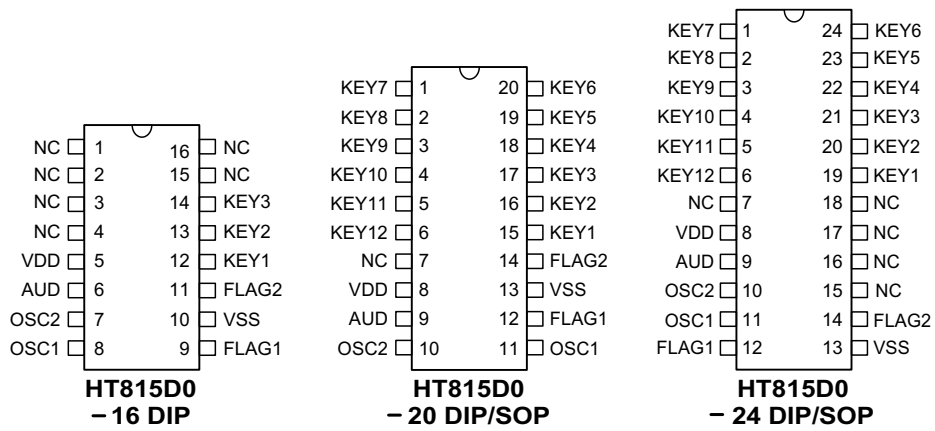
The HT815D0 provides 12 key inputs and 2 programmable FLAG outputs. With a 2.4V~5.0V power supply, a complete synthesized voice playback system can be easily built with very few external components.

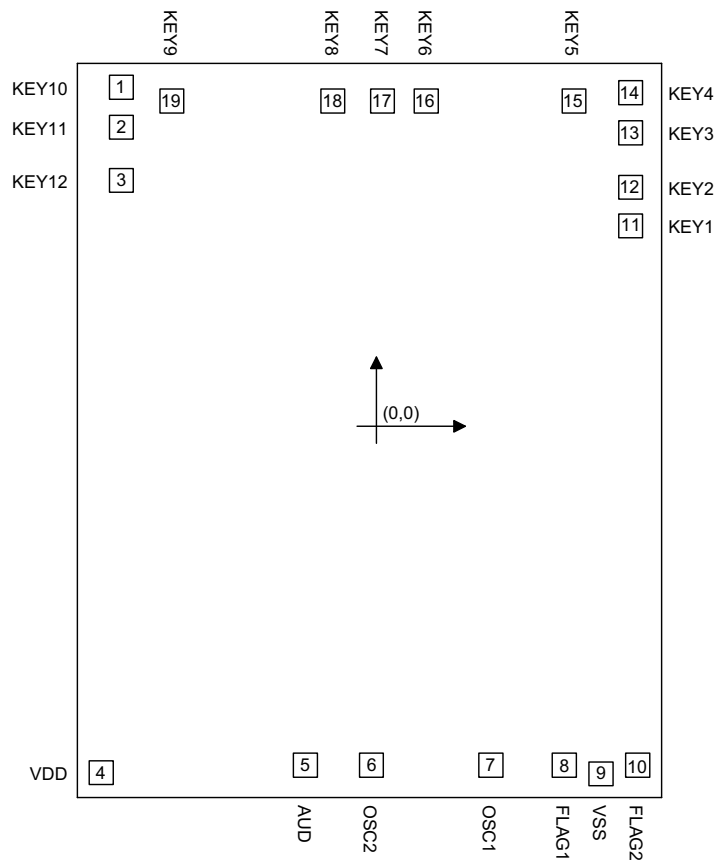
The customer's voice sources are recorded section by section into an internal mask ROM. The sectional playback arrangement instructions of each key are stored in the table ROM. The key features are also programmable. With such a flexible structure, the HT815D0 is excellent for versatile voice applications.

**Block Diagram**



**Pin Assignment**



**Pad Assignment**


Chip size: 2270 × 2840 (μm)<sup>2</sup>

\* The IC substrate should be connected to VSS in the PCB layout artwork.

**Pad Coordinates**

Unit: μm

Pad No.	X	Y	Pad No.	X	Y
1	-914.50	1216.45	11	912.80	719.65
2	-914.50	1073.05	12	912.80	858.25
3	-914.50	882.45	13	912.80	1053.65
4	-987.90	-1241.95	14	912.80	1197.25
5	-254.60	-1215.45	15	709.50	1167.75
6	-18.90	-1215.45	16	179.20	1167.75
7	411.90	-1215.45	17	22.00	1167.75
8	674.70	-1215.45	18	-156.40	1167.75
9	806.10	-1246.05	19	-734.20	1167.75
10	937.90	-1215.45			

**Pad Description**

Pad No.	Pad Name	I/O	Internal Connection	Description
1~3	KEY10~KEY12	I	Pull-high	Trigger key, active low. Key features such as debounce time, pull-high resistance and repeat are all by mask option.
4	VDD	—	—	Positive power supply
5	AUD	O	PMOS Open Drain	Voice output for driving an external transistor
6	OSC2	O	—	Oscillator output pin
7	OSC1	I	—	Oscillator input pin
8	FLAG1	O	NMOS Open Drain	3HzB/6HzB flash output, busy output, end-pulse or voice output indication (by mask option). Open drain, active low output
9	VSS	—	—	Negative power supply, ground
10	FLAG2	O	NMOS Open Drain	3Hz/6Hz flash output or busy output (by mask option). Open drain, active low output
11~19	KEY1~KEY9	I	Pull-high	Trigger key, active low. Key features such as debounce time, pull-high resistance and repeat are all by mask option.

**Absolute Maximum Ratings**

Supply Voltage ..... -0.3V to 6V      Storage Temperature ..... -50°C to 125°C  
 Input Voltage .....  $V_{SS}-0.3V$  to  $V_{DD}+0.3V$       Operating Temperature ..... -20°C to 70°C

Note: These are stress ratings only. Stresses exceeding the range specified under "Absolute Maximum Ratings" may cause substantial damage to the device. Functional operation of this device at other conditions beyond those listed in the specification is not implied and prolonged exposure to extreme conditions may affect device reliability.

**Electrical Characteristics**

Ta=25°C

Symbol	Parameter	Test Conditions		Min.	Typ.	Max.	Unit
		V <sub>DD</sub>	Conditions				
V <sub>DD</sub>	Operating Voltage	—	—	2.4	—	5.0	V
I <sub>DD</sub>	Operating Current	3V	No load	—	200	400	μA
I <sub>STB</sub>	Standby Current	3V	—	—	1	3	μA
I <sub>O</sub>	Max. AUD Output Current	3V	V <sub>OH</sub> =0.6V	-1.5	-2	—	mA
I <sub>OL</sub>	FLAG Sink Current	3V	V <sub>OL</sub> =0.3V	1.5	3.0	—	mA
V <sub>IH</sub>	"H" Input Voltage	—	—	0.8V <sub>DD</sub>	—	V <sub>DD</sub>	V
V <sub>IL</sub>	"L" Input Voltage	—	—	0	—	0.2V <sub>DD</sub>	V
f <sub>OSC</sub>	Oscillating Frequency	3V	R <sub>OSC</sub> =530kΩ	76	96	116	kHz

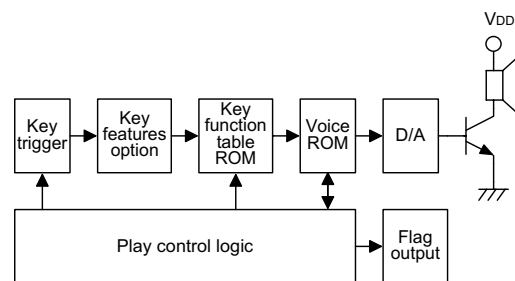
**Functional Description**

The HT815D0 is a mask ROM type voice synthesizer with 11.2-second voice capacity. A group of pre-recorded voice sections is played upon receipt of key trigger input signals. Two FLAG signals are output while playing voices.

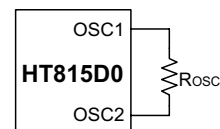
The 11.2-second voice capacity can be divided into sections of arbitrary length. Notice that the silence length and end-pulse width are not included in the memory.

By using Holtek's programming tools, the contents and arrangement of sections, key features and FLAG output are all programmable before device fabrication.

The IC provides 12 key inputs (KEY1~KEY12). Of the 12 keys, KEY1 can be optioned as a direct, sequential or random trigger key. KEY12 can be selected as a stop or direct key. The remaining 10 keys (KEY2~KEY11), are used as direct keys exclusively.

**Play function block diagram**

**System oscillator**

The HT815D0 has a built-in RC oscillator which requires only one external resistor for normal applications. The oscillator frequency is typically 96kHz for an external resistor of 530kΩ. The required oscillator frequency may vary with different sampling rates in the process of voice programming. As a result, the value of the oscillator resistor may be different for different items.



The oscillator is turned on when triggered by a key input. After playing, it is immediately turned off and the chip goes into the standby state.

**Voice ROM**

The voice ROM is originally designed to continuously record the 11.2-second voice data at a 6kHz sampling rate. A higher sampling rate will generate voices of better playback quality, but will shorten the total recording time. On the other hand, a lower sampling rate will result in longer recording time but sacrifice voice quality.

The playback time can be significantly extended by making use of coding efficiency, silence playing, section repeating, section cascade, etc.

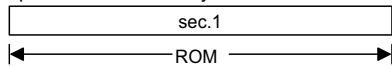
**Section**

Section is the basic element constituting the contents of the voice ROM. During programming, the customer's voice sources can be divided into as many sections as required. A section can be composed of a voice or an interval of silence. However, the silence length is not counted in voice ROM. The total number of sections included should be less than 508 due to the space limitation of the function table ROM. The total length of the included sections is limited by the voice ROM.

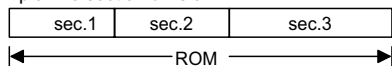
A section, when triggered by a key input, can be played once, repeatedly or cascaded with other sections, depending on the key function table instructions.

The following are examples of section division:

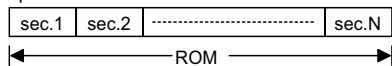
Example 1: One section only



Example 2: 3 section division



Example 3: N section division



In addition, a section can be set as retriggerable or non-retriggerable depending on the code option.

- **Retriggerable**

When the currently playing section is set as retriggerable, it will stop immediately upon receipt of other key inputs.

- **Non-retriggerable**

When the currently playing section is selected as non-retriggerable, it will go on playing till the whole section is completed, whether or not there is a key input in the process of playing. For a key group, some sections can be set as retriggerable and some as non-retriggerable. When a retriggerable section of a key group is playing, any key can be triggered to interrupt its playing. On the other hand, if it is a non-retriggerable section is playing, any key interrupt is ignored.

**Group**

The HT815D0 plays groups according to the key input. A group can be made up of one or more sections. When a key is triggered, the corresponding group is played immediately. For example, triggering KEY2 plays group 2, and so on. The same section is allowed to appear in different groups. However, KEY1 can be made up of multiple groups when it is optioned as a sequential or random key. Otherwise, each key is composed of one group only.

**Key function table**

The sections in the voice ROM are played according to the instructions of key function table. The function table contains group information as well as playing order of sections in the groups. Notice that the total number of sections included in the groups should be less than 508—the space limitation of the function table ROM.

• KEY1 as a direct key

Each key is mapped to a group in the function table. If a key is not used, the group mapped to that key is a piece of silence. The following is an example of the function table:

Group 1	sec.1 + sec.2 + sec.3 + sec.5
Group 2	sec.3
Group 3	sec.2 + sec.2 + sec.3 + sec.4
Group 4	sec.5 + sec.3

As illustrated in the above table, the voice ROM is composed of 5 sections and the function table of 11 sections. If KEY1 is momentarily triggered, section 1, section 2, section 3 and section 5 are played in sequence and then stops. Triggering KEY2 plays section 3, and so on.

• KEY1 as a sequential or random key

When KEY1 is optional as a sequential or random key, it can include multiple groups (sub-groups) in the function table. However, the remaining 11 keys (KEY2~KEY12) are used as direct keys exclusively and comprise only

one group in the function table. Below is an example:

Group 1-1	sec.4 + sec.2
Group 1-2	sec.1 + sec.3
:	:
:	:
Group 1-N	sec.2 + sec.3
Group 2	sec.2 + sec.3
Group 3	sec.3 + sec.5
Group 4	sec.1 + sec.5 + sec.2

As indicated in the above table, KEY1 can be made up of sub-groups. The corresponding sub-groups are played in sequence each time KEY1 is triggered.

- The playing sequence of sequential KEY1 is:  
Group 1-1 → Group 1-2 → Group 1-3 ..... → Group 1-N (the last group) → Group 1-1 .....
- The playing sequence of random KEY1 is:  
Group 1-3 → Group 1-5 ..... → Group 1-N → Group 1-3 → Group 1-5 .....

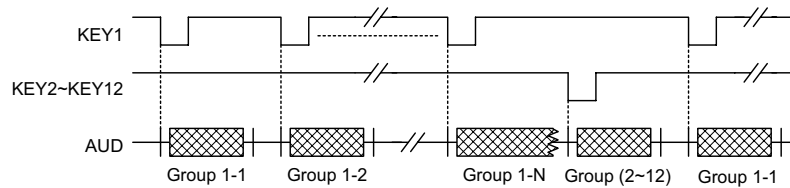


Figure 1 Reset of KEY1 playing sequence

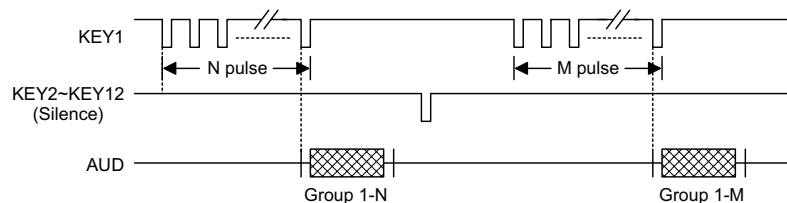


Figure 2 KEY1 sub-group selection

That KEY1 functions as a random key is a special case of sequential key, which combines a particular arrangement of sub-group playing sequence.

- Reset of KEY1 playing sequence

If a sub-group of KEY1 group is being played and one of KEY2~KEY12 is triggered, the playing sub-group will be terminated, and the newly triggered key group is played instead. The first sub-group will start playing by retriggering KEY1. In other words, the KEY1 playing sequence is reset whenever a key other than KEY1 is triggered (see Figure 1).

- Sub-group selection

When KEY1 is triggered with pulses, the desired sub-group can be selected by controlling its corresponding pulse number. However, the features of KEY1 have to be set in the following ways:

- sequential or random
- retriggerable
- minimum key debounce time ( $\cong 700\mu\text{s}$ ,  $f_{\text{OSC}}=96\text{kHz}$ )

For instance, if sub-group 1-3 is the previous playing group, sub-group 1-5 will start playing after 2 pulses are applied to KEY1, and so on.

To make easy selection of KEY1 sub-groups, one of KEY2~KEY12 should be programmed as silence. Then this silence key has to be triggered to reset KEY1. By so doing, the playing sub-group of KEY1 is directly specified by the pulse number applied to KEY1 (see Figure 2).

- KEY12 as a stop key (by mask option)

When KEY12 functions as a stop key, any voice output can be stopped by pressing KEY12.

- KEY1~KEY11 as a repeat key

KEY1~KEY11 all function as repeat keys if one of the eleven keys is set as a repeat key. In other words, once the mode of one of KEY1~KEY11 is determined, the remaining 10 keys are set accordingly.

As a repeat key, the sections included can be played sequentially and repeatedly till other key input is triggered. KEY12 has no other choice but functions as a stop key when KEY1~KEY11 are set as repeat keys.

### Key features

- Key priority

When two or more keys are triggered simultaneously, the output voice is determined by the key priority as shown below:

KEY1>KEY2>.....KEY11>KEY12

- Key debounce time

There are four kinds of key-in debounce time that can be selected by mask option, namely, 700 $\mu\text{s}$ , 22ms, 45ms and 180ms. The key debounce time varies with the value of the system frequency.

- Pull-high resistance

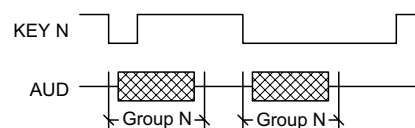
Four kinds of key input pin pull-high resistance can be selected by mask option, namely, 20k $\Omega$ , 50k $\Omega$ , 100k $\Omega$  and 200k $\Omega$ . The resistance may vary with VDD, temperatures and the chip itself due to process variations.

- Trigger mode

All of the 12 keys can be optioned as one-shot trigger mode, level-trigger mode or level hold mode.

- One shot

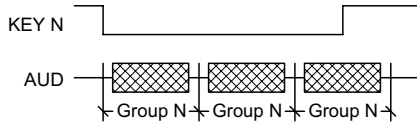
When one of the 12 keys (KEY1~KEY12) is pressed momentarily or held down, the group corresponding to that key will play once.





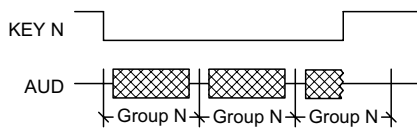
◆ Level trigger

When one of the 12 keys is pressed and held down, the corresponding group will keep playing. Once the pressed key is released, the group will not stop till the included sections are all completed.



◆ Level hold

When one of the 12 keys is pressed and held down, the group corresponding to that held key will play. When the pressed key is released, the group will immediately stop regardless of the rest.



**FLAG**

When voices are playing, both FLAG1 and FLAG2 pins are activated to output one of the following signals through code option.

FLAG1 can be optioned as one of the following signal outputs:

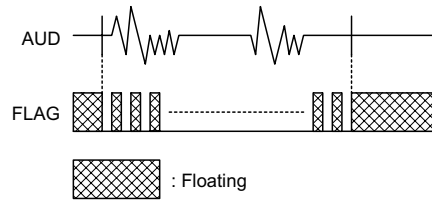
None, 3HzB flash, Busy, 6HzB flash, Voice indicator, or End-pulse output

FLAG2, on the other hand, can be set as one of the following signal outputs:

None, 3Hz flash, 6Hz flash, or Busy output

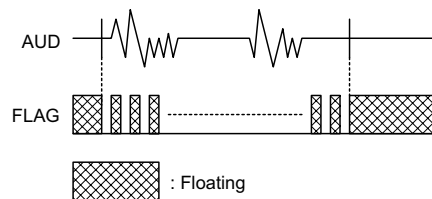
• 3Hz/3HzB flash

When voices are playing, the FLAG1 as well as FLAG2 pins output a 3Hz signal to drive an LED. The signal is active low, 25% duty. Once the voice output is terminated, the FLAG1 and FLAG2 pins become floating outputs. When the FLAG1 and the FLAG2 pins are optioned as 3HzB and 3Hz outputs, they will be alternately output at a 3Hz rate.



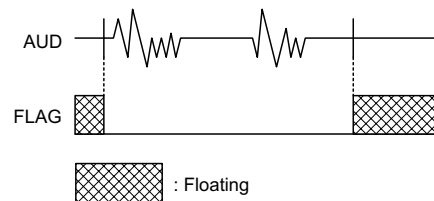
• 6Hz/6HzB flash

When voices are playing, the FLAG1 pin outputs a 6Hz signal to drive an LED. The signal is active low, 25% duty. Once the voice output is terminated, the FLAG1 pin becomes a floating output. When the FLAG1 and the FLAG2 pins are optioned as 6HzB and 6Hz outputs, they will be alternately output at a 6Hz rate.



• Busy output

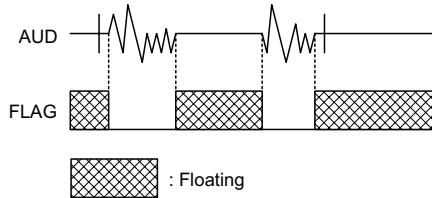
When a voice group is playing, the outputs of both FLAG1 and FLAG2 are turned low, indicating that the chip is busy.



In addition to the above-stated output signals, FLAG1 can also generate one of the following signals by code option:

◆ Voice indicator output

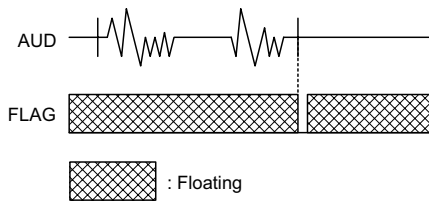
FLAG1 is active low when voices are playing. FLAG1 is also turned low when a voice section is output. The brightness of FLAG1 varies with the volume. FLAG1 becomes a floating output after the silence section is output or the voice output is terminated.



◆ End-pulse output

When the voice output is completed, the FLAG1 pin outputs an active low pulse. The pulse width can be programmed depending on the customer's requirements.

The FLAG1 and FLAG2 pins are both floating outputs when the chip is in the standby state.



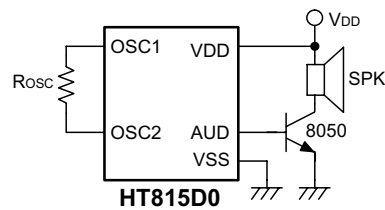
Volume control

The function of volume control can be set by mask option. A code is written in the function table for the purpose of controlling the volume of each section output after the volume control function is chosen. There are two volume options, namely, full range and half range.

AUD

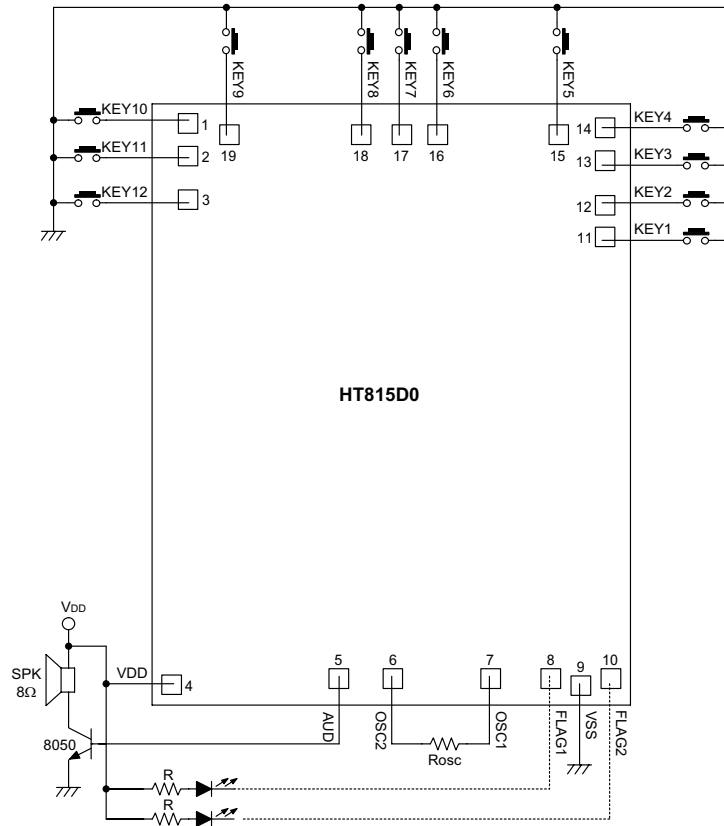
The AUD pin is a PMOS open drain structure. It outputs voice signals to drive a speaker through an external NPN transistor when the chip is active. However, the AUD pin becomes floating when the chip is in the standby state.

The 8050 type transistor with  $h_{FE} \approx 150$  is recommended for an output driver.

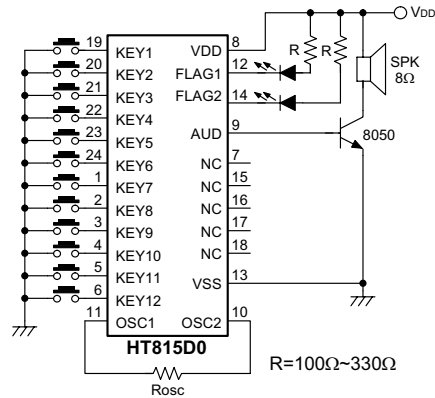


Application Circuits

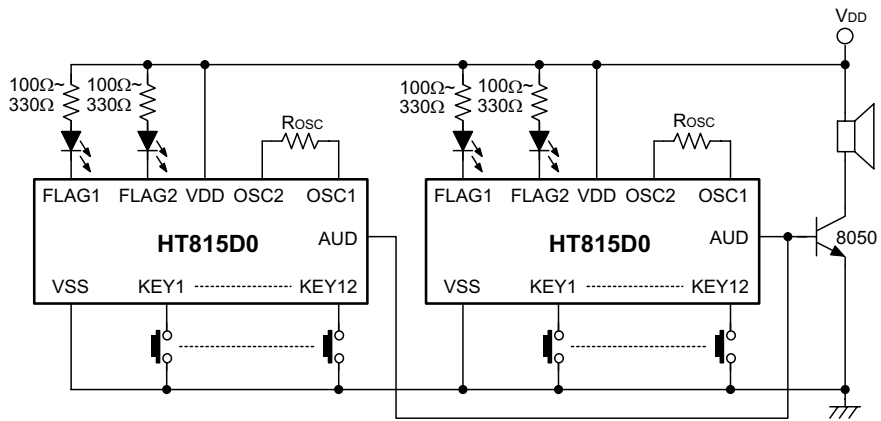
General application



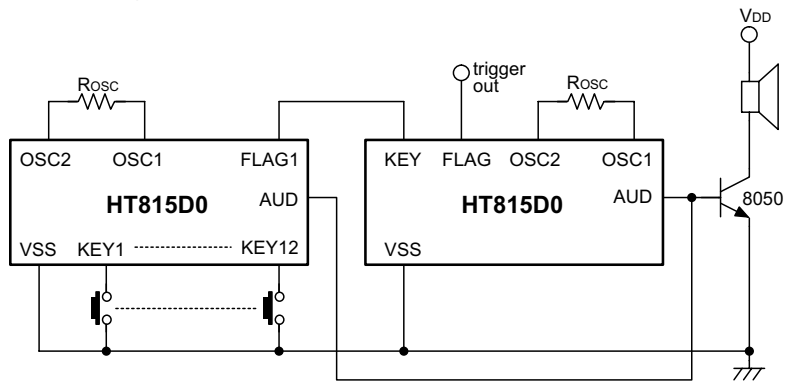
\* The IC substrate should be connected to VSS in the PCB layout artwork.



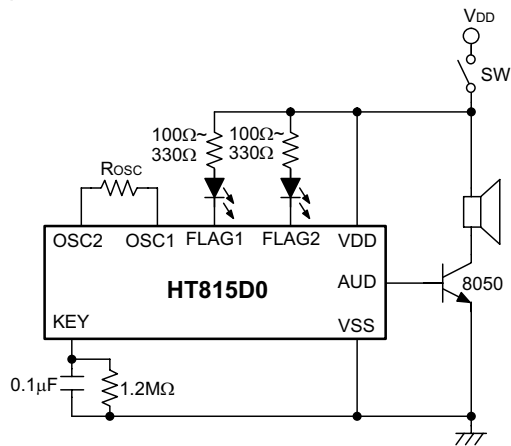
**Parallel application**



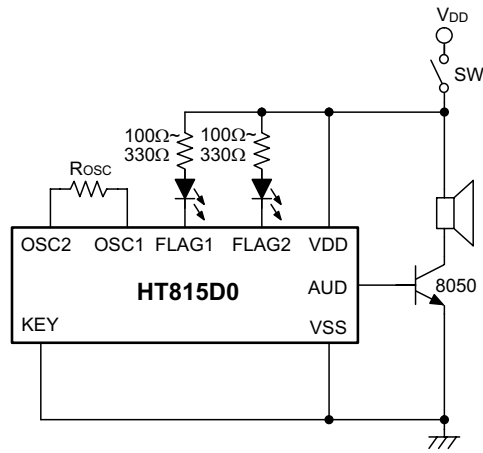
**Cascade or external driving**



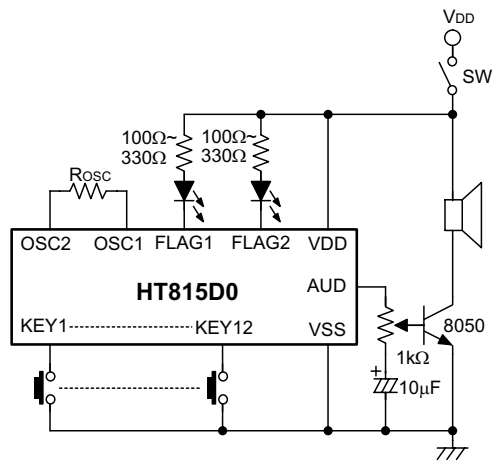
**Power-on play (one shot)**



Power-on play (continuous)

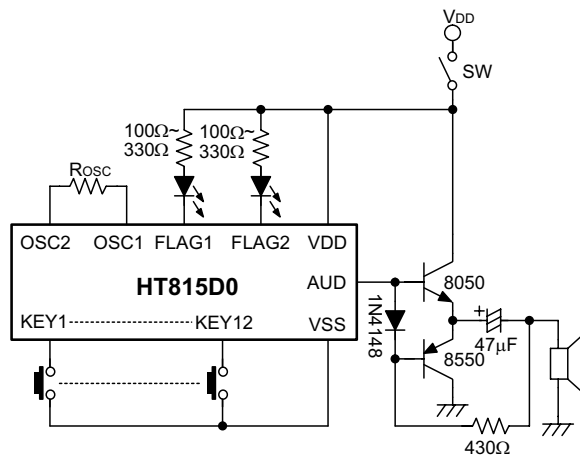


With volume adjustment

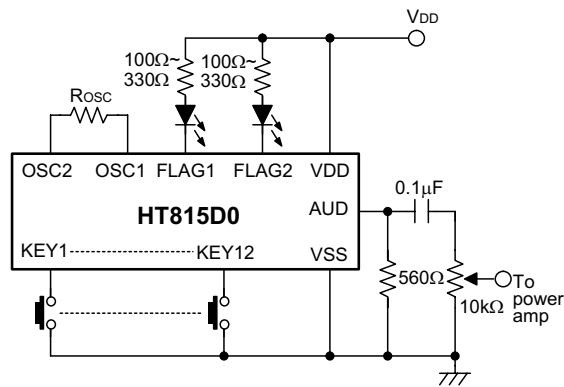


**Push-pull output**

To prevent the speaker and driver transistor from damage due to excess power dissipation which results from a high voltage power supply (4.5V~5.5V), the following push-pull output stage is recommended.



**Coupling to power amplifier**



**Holtek Semiconductor Inc. (Headquarters)**

No.3 Creation Rd. II, Science-based Industrial Park, Hsinchu, Taiwan, R.O.C.  
Tel: 886-3-563-1999  
Fax: 886-3-563-1189

**Holtek Semiconductor Inc. (Taipei Office)**

5F, No.576, Sec.7 Chung Hsiao E. Rd., Taipei, Taiwan, R.O.C.  
Tel: 886-2-2782-9635  
Fax: 886-2-2782-9636  
Fax: 886-2-2782-7128 (International sales hotline)

**Holtek Semiconductor (Hong Kong) Ltd.**

RM.711, Tower 2, Cheung Sha Wan Plaza, 833 Cheung Sha Wan Rd., Kowloon, Hong Kong  
Tel: 852-2-745-8288  
Fax: 852-2-742-8657

Copyright © 2000 by HOLTEK SEMICONDUCTOR INC.

The information appearing in this Data Sheet is believed to be accurate at the time of publication. However, Holtek assumes no responsibility arising from the use of the specifications described. The applications mentioned herein are used solely for the purpose of illustration and Holtek makes no warranty or representation that such applications will be suitable without further modification, nor recommends the use of its products for application that may present a risk to human life due to malfunction or otherwise. Holtek reserves the right to alter its products without prior notification. For the most up-to-date information, please visit our web site at <http://www.holtek.com.tw>.