

Rail-to-Rail I/O OP Amp

Features

- Single-Supply Operation: 2.0V to 5.5V
- Low Supply Current: 700 μ A
- Wide Bandwidth: 3 MHz
- Slew Rate: 1 V/ μ s
- No Phase Reversal
- Unity Gain Stable
- Small, 5-Pin SOT23-5 Package available

Applications

- Battery-Powered Instruments
- Portable Equipment
- Audio Signal Conditioning
- Multimedia Audio
- ASIC Input or Output Amplifier

General Description

The G1212 is a rail-to-rail input and output single-supply amplifiers. This high output current makes these amplifiers excellent for driving either resistive or capacitive loads. AC performance is very good with 3.0MHz bandwidth.

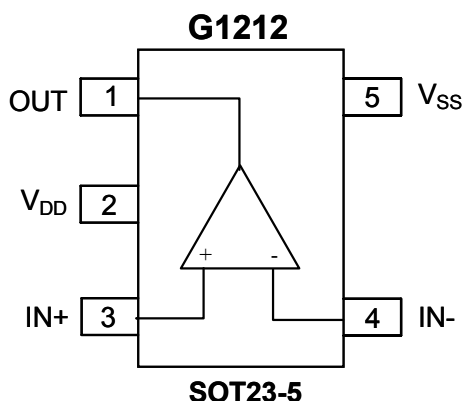
The very low input bias currents enable the G1212 to be used for integrators and diode amplification and other applications requiring low input bias current. The supply current is only 700 μ A per amplifier at 3.0V, allowing low current applications to control high current loads.

Applications include audio amplification for computers, sound ports, sound cards and set-top boxes. The G1212 is very stable and capable of driving capacitive loads. The ability to swing rail-to-rail at the inputs and outputs enables designers to buffer CMOS ADC/DACs, ASICs or other wide output swing devices in single-supply systems.

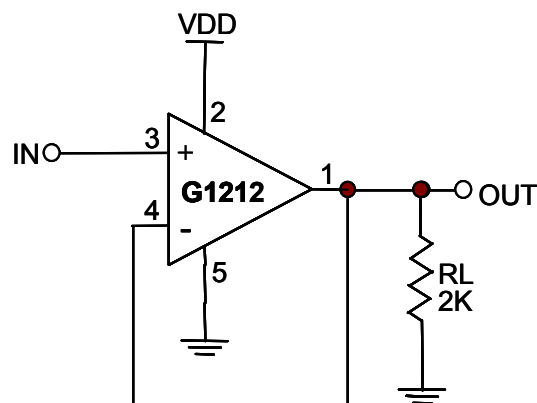
Ordering Information

PART	TEMP. RANGE	PIN-PACKAGE
G1212	0°C to 70°C	SOT23-5

Pin Configuration



Typical Application Circuit



**Absolute Maximum Ratings (Note1)**

SYMBOL	PARAMETER	CONDITIONS	MIN.	MAX.	UNIT
V _{DD}	Supply voltage		0	7.0	V
T _{stg}	Storage temperature		-65	+150	°C
T _{amb}	Operating ambient temperature		0	+70	°C

Notes:

1. Absolute Maximum Ratings are limits beyond which damage to the device may occur.

Thermal Characteristics

SYMBOL	PARAMETER	VALUE	UNIT
R _{th j-a}	Thermal resistance from junction to ambient in free air SOT23-5	240	°C/W

Electrical Characteristics

V_{DD} = 2V; V_{SS} = 0V; T_{amb} = 25°C; R_L > 1MΩ; unless otherwise specified.

SYMBOL	PARAMETER	CONDITIONS	MIN.	TYP.	MAX.	UNIT
Supplies						
I _{DD}	Supply current	no load	-	0.13	0.4	mA
P _{tot}	Total power dissipation	no load	-	0.26	0.8	mW
DC Characteristics						
V _{I(OS)}	Input offset voltage			±1mV	±15	mV
V _{CM}	Common mode voltage		0	-	2.0	V
I _B	Input Bias Current			±0.05		nA
I _{OS}	Input Bias Current Offset			±0.05		nA
R _{IN}	Input Resistance			1000	-	MΩ
A _v	Open Loop Gain			95	-	dB
I _O	Maximum output current	V _{OUT} = ±V _{IN} x 90%	-	±12	-	mA
V _O	Output Voltage Swing	R _L = 2kΩ	0.04	-	1.96	V
PSRR	Power supply rejection ratio			50	-	dB
CMRR	Common-Mode Rejection Ratio			55		dB
AC Characteristics						
GBWP	Gain-Bandwidth Product	Open-loop; No Load	-	1.0	-	MHz
SR	Slew-Rate	Measured from 20% to 80% of 2V _{P-P} step		0.3		V/μs
PM	Phase Margin		-	60	-	deg

Electrical Characteristics

$V_{DD} = 3V$; $V_{SS} = 0V$; $T_{amb} = 25^{\circ}C$; $R_L = 1M\Omega$; unless otherwise specified.

SYMBOL	PARAMETER	CONDITIONS	MIN.	TYP.	MAX.	UNIT
Supplies						
I_{DD}	Supply current	no load	-	0.7	2.1	mA
P_{tot}	Total power dissipation	no load	-	2.1	6.3	mW
DC Characteristics						
$V_{I(OS)}$	Input offset voltage			± 1.5	± 15	mV
V_{CM}	Common mode voltage		0	-	3.0	V
I_B	Input Bias Current			± 0.05		nA
I_{OS}	Input Bias Current Offset			± 0.05		nA
R_{IN}	Input Resistance			1000	-	$M\Omega$
A_V	Open Loop Gain			90	-	dB
I_O	Maximum output current	$V_{OUT} = \pm V_{IN} \times 90\%$	-	± 27	-	mA
V_O	Output Voltage Swing	$R_L = 2k\Omega$	0.04	-	2.96	V
PSRR	Power supply rejection ratio			65	-	dB
CMRR	Common-Mode Rejection Ratio			55		dB
AC Characteristics						
GBWP	Gain-Bandwidth Product	Open-loop; No Load	-	3.0	-	MHz
SR	Slew-Rate	Measured from 20% to 80% of $5V_{P-P}$ step		1		$V/\mu s$
PM	Phase Margin		-	60	-	deg

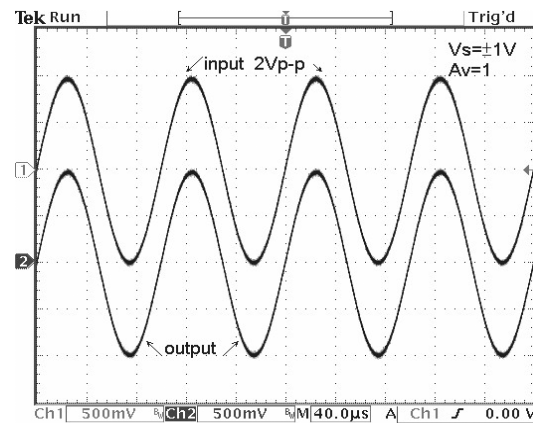
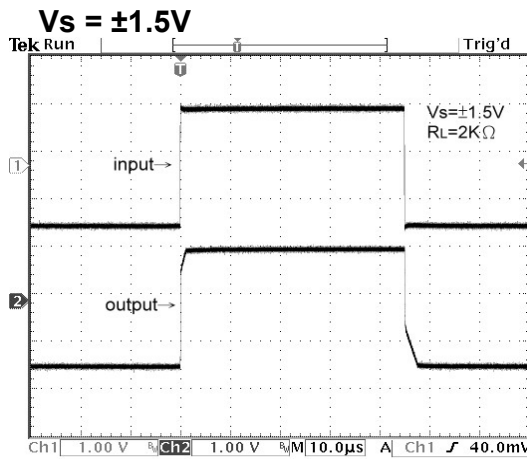
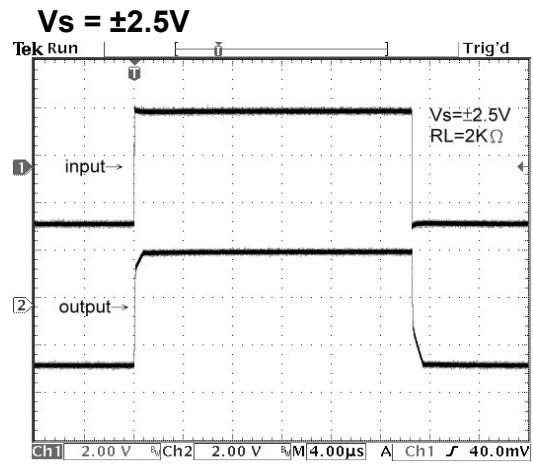
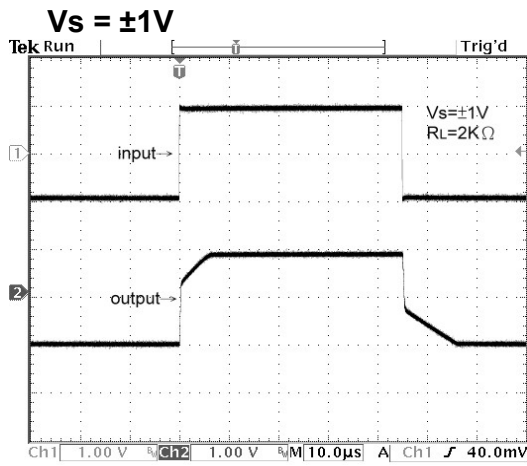
Electrical Characteristics

$V_{DD} = 5V$; $V_{SS} = 0V$; $T_{amb} = 25^{\circ}C$; $R_L = 1M\Omega$; unless otherwise specified.

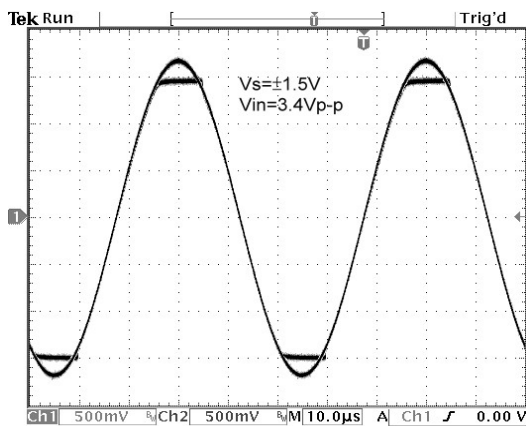
SYMBOL	PARAMETER	CONDITIONS	MIN.	TYP.	MAX.	UNIT
Supplies						
I_{DD}	Supply current	no load	-	0.9	2.4	mA
P_{tot}	Total power dissipation	no load	-	4.5	12	mW
DC Characteristics						
$V_{I(OS)}$	Input offset voltage			± 3	± 15	mV
V_{CM}	Common mode voltage		0	-	5.0	V
I_B	Input Bias Current			± 0.05		nA
I_{OS}	Input Bias Current Offset			± 0.05		nA
R_{IN}	Input Resistance			1000	-	$M\Omega$
A_V	Open Loop Gain			65	-	dB
I_O	Maximum output current	$V_{OUT} = \pm V_{IN} \times 90\%$	-	± 60	-	mA
V_O	Output Voltage Swing	$R_L = 2k\Omega$	0.05	-	4.95	V
PSRR	Power supply rejection ratio			65	-	dB
CMRR	Common-Mode Rejection Ratio			45		dB
AC Characteristics						
GBWP	Gain-Bandwidth Product	Open-loop; No Load	-	13	-	MHz
SR	Slew-Rate	Measured from 10% to 90% of $5V_{P-P}$ step		6		$V/\mu s$
PM	Phase Margin		-	60	-	deg

Large Signal Transient Response Figure

Test Condition : $T_A = 25^\circ\text{C}$, $A_V = 1$, $R_L = 2\text{K}\Omega$

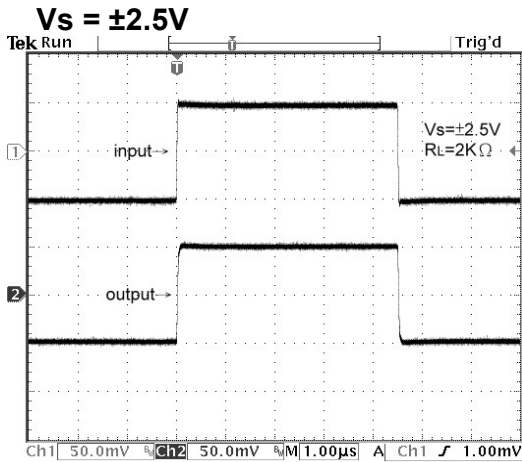
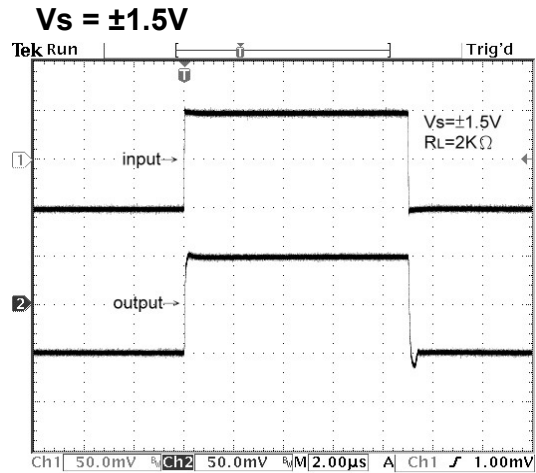
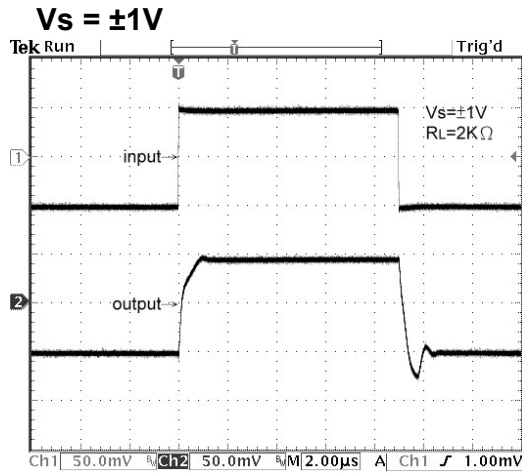


operation with beyond-the Rail input

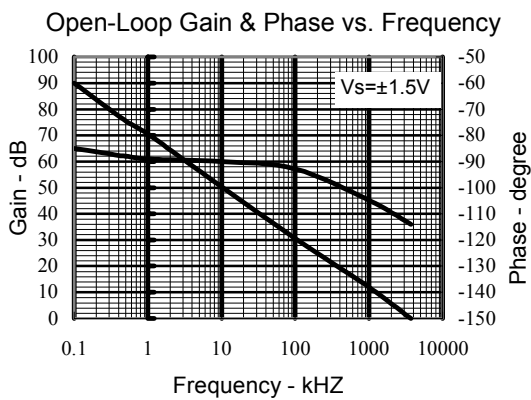


Small Signal Transient Response Figure

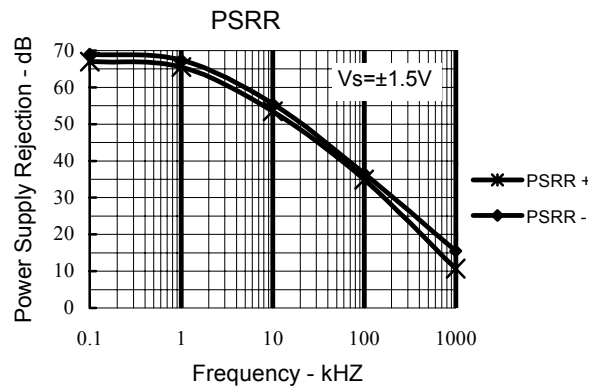
Test Condition : $T_A = 25^\circ\text{C}$, $A_V = 1$, $R_L = 2\text{k}\Omega$



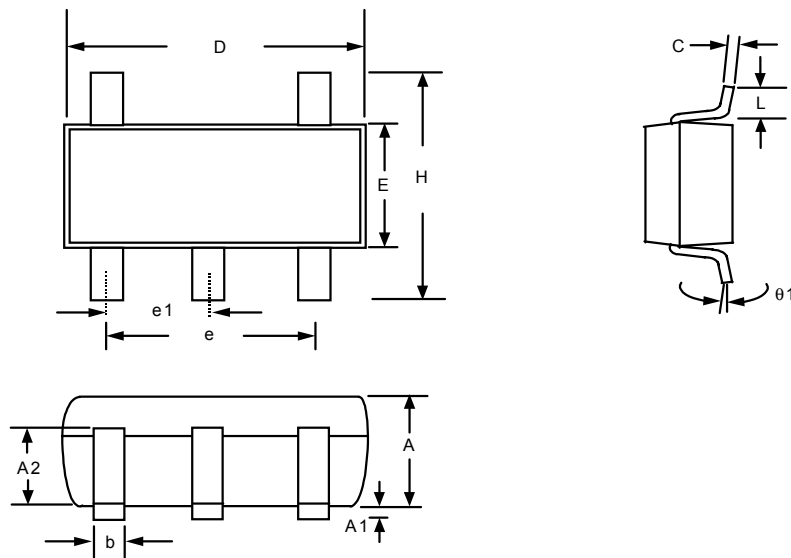
Test Condition: $V_s = \pm 1.5\text{V}$, $T_A = 25^\circ\text{C}$



Test Condition: $V_s = \pm 1.5\text{V}$, $T_A = 25^\circ\text{C}$



Package Information



Note:

1. Package body sizes exclude mold flash protrusions or gate burrs
2. Tolerance ± 0.1000 mm (4mil) unless otherwise specified
3. Coplanarity: 0.1000mm
4. Dimension L is measured in gage plane

SYMBOLS	DIMENSIONS IN MILLIMETERS		
	MIN	NOM	MAX
A	1.00	1.10	1.30
A1	0.00	-----	0.10
A2	0.70	0.80	0.90
b	0.35	0.40	0.50
C	0.10	0.15	0.25
D	2.70	2.90	3.10
E	1.40	1.60	1.80
e	-----	1.90(TYP)	-----
e1	-----	0.95	-----
H	2.60	2.80	3.00
L	0.37	-----	-----
$\theta 1$	1°	5°	9°

Taping Specification (Unit: mm)

