

100310 Low Skew 2:8 Differential Clock Driver

General Description

The 100310 is a low skew 8-bit differential clock driver which is designed to select between two separate differential clock inputs. The low output to output skew (< 50 ps) is maintained for either clock input. A LOW on the select pin (SEL) selects CLKINA, $\overline{\text{CLKINA}}$ and a HIGH on the SEL pin selects the CLKINB, $\overline{\text{CLKINB}}$ inputs.

The 100310 is ideal for those applications that need the ability to freely select between two clocks, or to maintain the ability to switch to an alternate or backup clock should a problem arise with the primary clock source.

A V_{BB} output is provided for single-ended operation.

Features

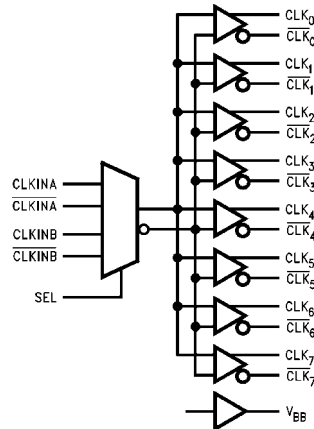
- Low output to output skew
- Differential inputs and outputs
- Allows multiplexing between two clock inputs
- Voltage compensated operating range: -4.2V to -5.7V
- Available to industrial grade temperature range (PLCC package only)

Ordering Code:

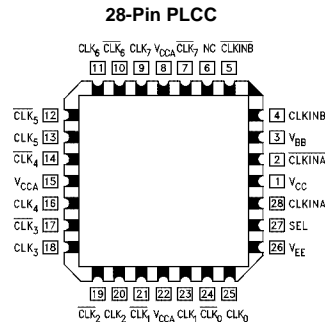
Order Number	Package Number	Package Description
100310QC	V28A	28-Lead Plastic Lead Chip Carrier (PLCC), JEDEC MO-047, 0.450 Square
100310QI	V28A	28-Lead Plastic Lead Chip Carrier (PLCC), JEDEC MO-047, 0.450 Square Industrial Temperature Range (-40°C to +85°C)

Devices also available in Tape and Reel. Specify by appending the suffix letter "X" to the ordering code.

Logic Symbol



Connection Diagram



Pin Descriptions

Pin Names	Description
CLKIN _n , $\overline{\text{CLK}}\text{IN}_n$	Differential Clock Inputs
SEL	Select
CLK ₀₋₇ , $\overline{\text{CLK}}_{0-8}$	Differential Clock Outputs
V_{BB}	V_{BB} Output
NC	No Connect

Truth Table

CLKINA	$\overline{\text{CLK}}\text{INA}$	CLKINB	$\overline{\text{CLK}}\text{INB}$	SEL	CLK _n	$\overline{\text{CLK}}_n$
H	L	X	X	L	H	L
L	H	X	X	L	L	H
X	X	H	L	H	H	L
X	X	L	H	H	L	H

Absolute Maximum Ratings (Note 1)

Storage Temperature (T_{STG})	-65°C to +150°C
Maximum Junction Temperature (T_J)	+150°C
Pin Potential to Ground Pin (V_{EE})	-7.0V to +0.5V
Input Voltage (DC)	V_{EE} to +0.5V
Output Current (DC Output HIGH)	-50 mA
ESD (Note 2)	$\geq 2000V$

Recommended Operating Conditions

Case Temperature (T_C)	Commercial	0°C to +85°C
	Industrial	-40°C to +85°C
Supply Voltage (V_{EE})		-5.7V to -4.2V

Note 1: The "Absolute Maximum Ratings" are those values beyond which the safety of the device cannot be guaranteed. The device should not be operated at these limits. The parametric values defined in the Electrical Characteristics tables are not guaranteed at the absolute maximum rating. The "Recommended Operating Conditions" table will define the conditions for actual device operation.

Note 2: ESD testing conforms to MIL-STD-883, Method 3015.

Commercial Version**DC Electrical Characteristics** (Note 3)

$V_{EE} = -4.2V$ to $-5.7V$, $V_{CC} = V_{CCA} = GND$, $T_C = 0^\circ C$ to $+85^\circ C$

Symbol	Parameter	Min	Typ	Max	Units	Conditions	
V_{OH}	Output HIGH Voltage	-1025	-955	-870	mV	$V_{IN} = V_{IH}$ (Max) or V_{IL} (Min)	Loading with 50Ω to -2.0V
V_{OL}	Output LOW Voltage	-1830	-1705	-1620	mV		
V_{OHC}	Output HIGH Voltage	-1035			mV	$V_{IN} = V_{IH}$ or V_{IL} (Max)	Loading with 50Ω to -2.0V
V_{OLC}	Output LOW Voltage			-1610	mV		
V_{BB}	Output Reference Voltage	-1380	-1320	-1260	mV	$I_{V_{BB}} = -250 \mu A$	
V_{DIFF}	Input Voltage Differential	150			mV	Required for Full Output Swing	
V_{CM}	Common Mode Voltage	$V_{CC} - 2.0$		$V_{CC} - 0.5$	V		
V_{IH}	Input HIGH Voltage	-1165		-870	mV	Guaranteed HIGH Signal for All Inputs	
V_{IL}	Input LOW Voltage	-1830		-1475	mV	Guaranteed LOW Signal for All Inputs	
I_{IL}	Input LOW Current	0.50			μA	$V_{IN} = V_{IL}$ (Min)	
I_{IH}	Input HIGH Current			240	μA	$V_{IN} = V_{IH}$ (Max)	
I_{CBO}	Input Leakage Current	-10			μA	$V_{IN} = V_{EE}$	
I_{EE}	Power Supply Current	-100		-40	mA	Inputs Open	

Note 3: The specified limits represent the "worst case" value for the parameter. Since these values normally occur at the temperature extremes, additional noise immunity and guardbanding can be achieved by decreasing the allowable system operating ranges. Conditions for testing shown in the tables are chosen to guarantee operation under "worst case" conditions.

Commercial Version (Continued) AC Electrical Characteristics

$V_{EE} = -4.2V$ to $-5.7V$, $V_{CC} = V_{CCA} = GND$

Symbol	Parameter	$T_C = 0^\circ C$			$T_C = +25^\circ C$			$T_C = +85^\circ C$			Units	Conditions
		Min	Typ	Max	Min	Typ	Max	Min	Typ	Max		
f_{MAX}	Max Toggle Frequency CLKIN A/B to Q_n	750			750			750			MHz	
	SEL to Q_n	575			575			575			MHz	
t_{PLH} t_{PHL}	Propagation Delay, CLKIN _n to CLK _n											
	Differential	0.80	0.90	1.00	0.82	0.92	1.02	0.89	1.01	1.09	ns	Figure 3
	Single-Ended	0.80	0.96	1.20	0.82	0.98	1.22	0.89	1.06	1.29		
t_{PLH} t_{PHL}	Propagation Delay, SEL to Output	0.75	0.99	1.20	0.80	1.02	1.25	0.85	1.10	1.35	ns	Figure 2
t_{PS}	LH-HL Skew		10	30		10	30		10	30		(Note 4)(Note 7)
t_{OSLH}	Gate-Gate Skew LH		20	30		20	50		20	50		(Note 5)(Note 7)
t_{OSHL}	Gate-Gate Skew HL		20	50		20	50		20	50		(Note 5)(Note 7)
t_{OST}	Gate-Gate LH-HL Skew		30	60		30	60		30	60		(Note 6)(Note 7)
t_S	Setup Time SEL to CLKIN _n	300			300			300			ps	
t_H	Setup Time SEL to CLKIN _n	0			0			0			ps	
t_{TLH} t_{THL}	Transition Time 20% to 80%, 80% to 20%	275	510	750	275	500	750	275	480	750	ps	Figure 4

Note 4: t_{PS} describes opposite edge skews, i.e. the difference between the delay of a differential output signal pair's LOW-to-HIGH and HIGH-to-LOW propagation delays. With differential signal pairs, a LOW-to-HIGH or HIGH-to-LOW transition is defined as the transition of the true output or input pin.

Note 5: t_{OSLH} describes in-phase gate-to-gate differential propagation skews with all differential outputs going LOW-to-HIGH; t_{OSHL} describes the same conditions except with the outputs going HIGH-to-LOW.

Note 6: t_{OST} describes the maximum worst case difference in any of the t_{PS} , t_{OSLH} or t_{OST} delay paths combined.

Note 7: The skew specifications pertain to differential I/O paths.

Industrial Version

DC Electrical Characteristics (Note 8)

 $V_{EE} = -4.2V \text{ to } -5.7V, V_{CC} = V_{CCA} = GND$

Symbol	Parameter	$T_C = -40^\circ C$		$T_C = 0^\circ C \text{ to } +85^\circ C$		Units	Conditions	
		Min	Max	Min	Max			
V_{OH}	Output HIGH Voltage	-1085	-870	-1025	-870	mV	$V_{IN} = V_{IH} \text{ (Max)}$	Loading with 50Ω to -2.0V
V_{OL}	Output LOW Voltage	-1830	-1575	-1830	-1620	mV	or $V_{IL} \text{ (Min)}$	
V_{OHC}	Output HIGH Voltage	-1095		-1035		mV	$V_{IN} = V_{IH}$	Loading with 50Ω to -2.0V
V_{OLC}	Output LOW Voltage		-1565		-1610	mV	or $V_{IL} \text{ (Min)}$	
V_{BB}	Output Reference Voltage	-1395	-1255	-1380	-1260	mV	$I_{VBB} = -250 \mu A$	
V_{DIFF}	Input Voltage Differential	150		150		mV	Required for Full Output Swing	
V_{CM}	Common Mode Voltage	$V_{CC} - 2.0 \quad V_{CC} - 0.5$		$V_{CC} - 2.0 \quad V_{CC} - 0.5$		V		
V_{IH}	Input HIGH Voltage	-1170	-870	-1165	-870	mV	Guaranteed HIGH Signal for All Inputs	
V_{IL}	Input LOW Voltage	-1830	-1480	-1830	-1475	mV	Guaranteed LOW Signal for All Inputs	
I_{IL}	Input LOW Current	0.50		0.50		μA	$V_{IN} = V_{IL} \text{ (Min)}$	
I_{IH}	Input HIGH Current	240		240		μA	$V_{IN} = V_{IH} \text{ (Max)}$	
I_{CBO}	Input Leakage Current	-10		-10		μA	$V_{IN} = V_{EE}$	
I_{EE}	Power Supply Current	-100	-40	-100	-40	mA	Inputs Open	

Note 8: The specified limits represent the "worst case" value for the parameter. Since these values normally occur at the temperature extremes, additional noise immunity and guardbanding can be achieved by decreasing the allowable system operating ranges. Conditions for testing shown in the tables are chosen to guarantee operation under "worst case" conditions.

AC Electrical Characteristics

 $V_{EE} = -4.2V \text{ to } -5.7V, V_{CC} = V_{CCA} = GND$

Symbol	Parameter	$T_C = -40^\circ C$			$T_C = +25^\circ C$			$T_C = +85^\circ C$			Units	Conditions	
		Min	Typ	Max	Min	Typ	Max	Min	Typ	Max			
f_{MAX}	Max Toggle Frequency										MHz		
	CLKIN A/B to Q_n	750			750			750					
	SEL to Q_n	575			575			575			MHz		
t_{PLH}	Propagation Delay, CLKIN _n to CLK _n										ns	Figure 3	
t_{PHL}		Differential	0.78	0.88	0.98	0.82	0.92	1.02	0.89	1.01			1.09
		Single-Ended	0.78	0.95	1.18	0.82	0.98	1.22	0.89	1.06			1.29
t_{PLH}	Propagation Delay SEL to Output	0.70	0.99	1.20	0.80	1.02	1.25	0.85	1.10	1.35	ns	Figure 2	
t_{PHL}													
t_{PS}	LH-HL Skew	10	30		10	30		10	30		ps	(Note 9)(Note 12)	
t_{OSLH}	Gate-Gate Skew LH	20	50		20	50		20	50		ps	(Note 10)(Note 12)	
t_{OSHL}	Gate-Gate Skew HL	20	50		20	50		20	50		ps	(Note 10)(Note 12)	
t_{OST}	Gate-Gate LH-HL Skew	30	60		30	60		30	60		ps	(Note 11)(Note 12)	
t_S	Setup Time SEL to CLKIN _n	300			300			300			ps		
t_H	Setup Time SEL to CLKIN _n	0			0			0			ps		
t_{TLH}	Transition Time 20% to 80%, 80% to 20%	275	510	750	275	500	750	275	480	750	ps	Figure 4	
t_{THL}													

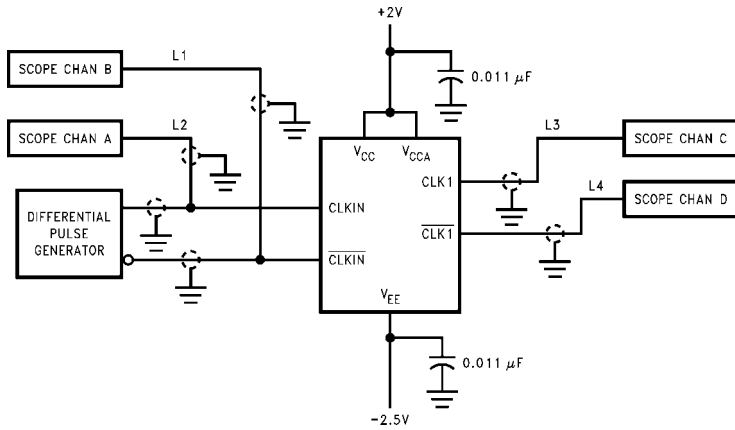
Note 9: t_{PS} describes opposite edge skews, i.e. the difference between the delay of a differential output signal pair's LOW-to-HIGH and HIGH-to-LOW propagation delays. With differential signal pairs, a LOW-to-HIGH or HIGH-to-LOW transition is defined as the transition of the true output or input pin.

Note 10: t_{OSLH} describes in-phase gate-to-gate differential propagation skews with all differential outputs going LOW-to-HIGH; t_{OSHL} describes the same conditions except with the outputs going HIGH-to-LOW.

Note 11: t_{OST} describes the maximum worst case difference in any of the t_{PS} , t_{OSLH} or t_{OST} delay paths combined.

Note 12: The skew specifications pertain to differential I/O paths.

Test Circuit



Note:
 Shown for testing CLKIN to CLK1 in the differential mode.
 L1, L2, L3 and L4 = equal length 50Ω impedance lines.
 All unused inputs and outputs are loaded with 50Ω in parallel with ≤3 pF to GND.
 Scope should have 50Ω input terminator internally.

FIGURE 1. AC Test Circuit

Switching Waveforms

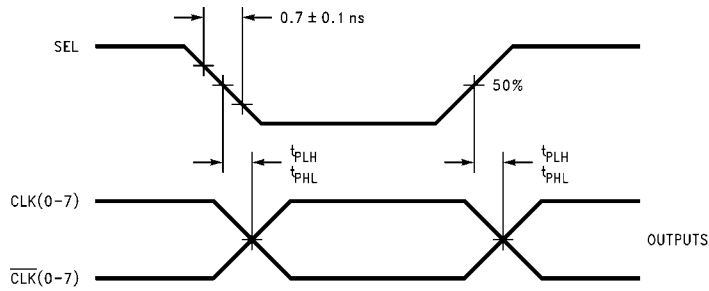


FIGURE 2. Propagation Delay, SEL to Outputs

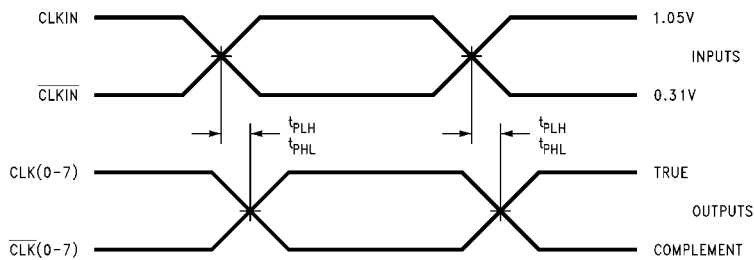


FIGURE 3. Propagation Delay, CLKIN/CLKIN to Outputs

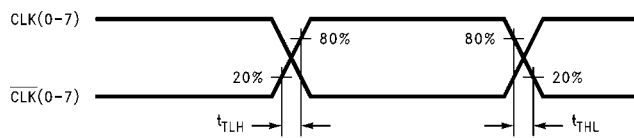
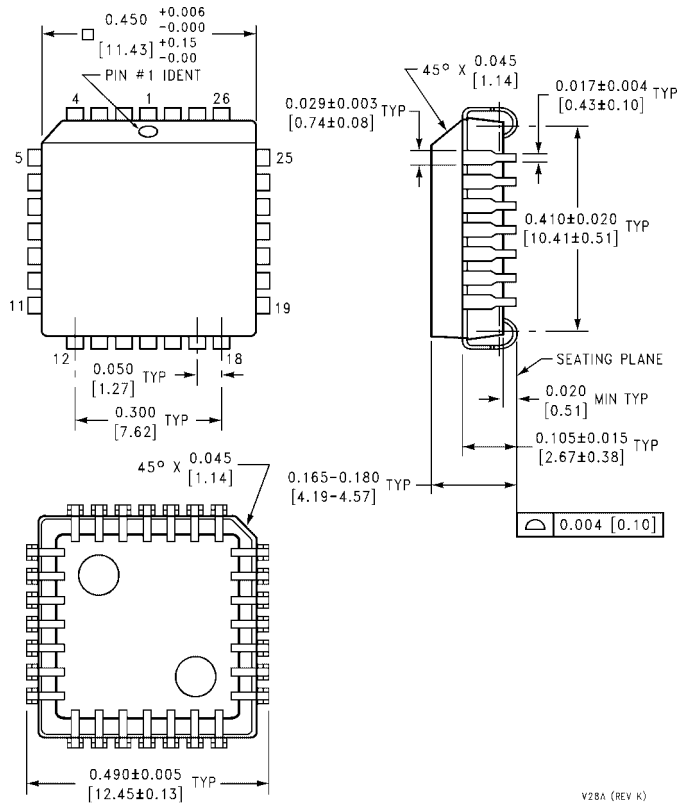


FIGURE 4. Transition Times

Physical Dimensions inches (millimeters) unless otherwise noted



28-Lead Plastic Lead Chip Carrier (PLCC), JEDEC MO-047, 0.450 Square Package Number V28A

Fairchild does not assume any responsibility for use of any circuitry described, no circuit patent licenses are implied and Fairchild reserves the right at any time without notice to change said circuitry and specifications.

LIFE SUPPORT POLICY

FAIRCHILD'S PRODUCTS ARE NOT AUTHORIZED FOR USE AS CRITICAL COMPONENTS IN LIFE SUPPORT DEVICES OR SYSTEMS WITHOUT THE EXPRESS WRITTEN APPROVAL OF THE PRESIDENT OF FAIRCHILD SEMICONDUCTOR CORPORATION. As used herein:

1. Life support devices or systems are devices or systems which, (a) are intended for surgical implant into the body, or (b) support or sustain life, and (c) whose failure to perform when properly used in accordance with instructions for use provided in the labeling, can be reasonably expected to result in a significant injury to the user.
2. A critical component in any component of a life support device or system whose failure to perform can be reasonably expected to cause the failure of the life support device or system, or to affect its safety or effectiveness.

www.fairchildsemi.com