

SPST

FEATURES

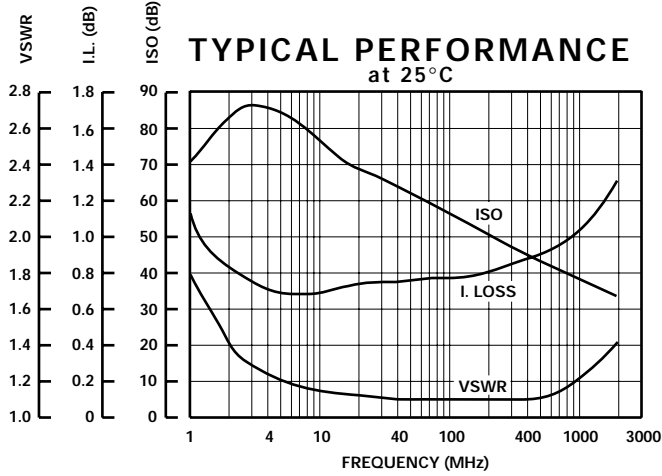
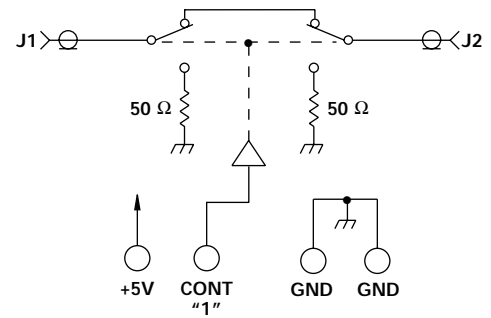
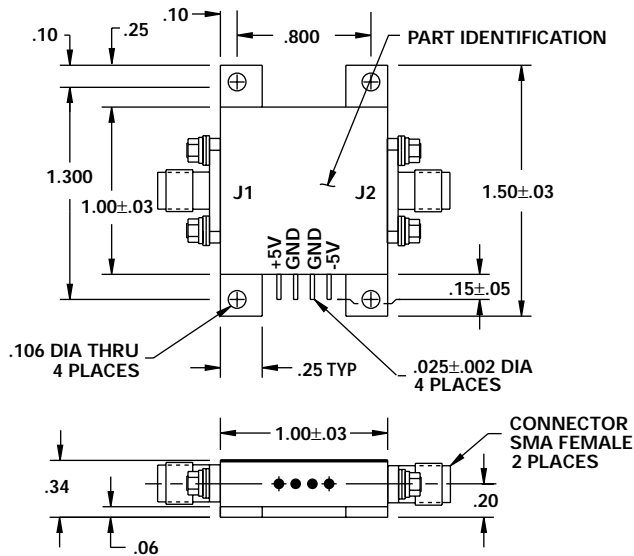
- 20 - 1500 MHz
- 11 nSec Transition Time
- 23 nSec Switching Speed
- 3.5 mA, +5 VDC
- Replaceable SMA Connectors
- TTL Driver
- Non-Reflective
- See DS0699 & DS0690 For TO-8 & 14 Pin DIP Versions



MODEL NO.
CDS0651

GaAs SPST

STOCKED



GUARANTEED PERFORMANCE

Parameter	Min	Typ	Max	Units	Conditions
Operating Frequency	10		1500	MHz	
DC Current		3.5	7	mA	At +5 VDC Supply
Control Type		TTL			1 Line Logic "1" = Thru
Control Current		0	±20	µA	VIH = +3.0V VIL = +0.5V
Insertion Loss		0.9	1.2	dB	10 - 500 MHz
		1.1	1.5	dB	500 - 1500 MHz
Isolation		40	44	dB	10 - 500 MHz
		30	34	dB	500 - 1500 MHz
VSWR		1.1/1	1.3/1		10 - 500 MHz
		1.25/1	1.5/1		500 - 1500 MHz
	Termination	1.4/1	1.7/1		10 - 1500 MHz
Impedance		50		OHMS	
Switching Speed		23	35	nSEC	50% TTL to 90% / 10% RF
Transition (Rise/Fall) Time		11		nSEC	10% / 90% or 90% / 10% RF
Switching (Video) Transients		21	35	mV	Peak Value
Intercept Points	2nd	+54		dBm	70 MHz / 50 MHz
	3rd	+37		dBm	35 MHz / 50 MHz
RF Power	Operate	+12	+10	dBm	
	No Damage		+27	dBm	
Operating Temperature	-55	+25	+125	°C	TA