

KEY FEATURES

- Power Modules for PCB Mounting
- Fully Encapsulated Plastic Case
- Regulated Output
- Low Ripple and Noise
- 2-Year Product Warranty


ELECTRICAL SPECIFICATIONS

Model No.	DA 5-5S	DA 5-12S	DA 5-15S	DA 5-24S	DA 5-5D	DA 5-12D	DA 5-15D
Max. output wattage (W)	0.5W	0.72W	0.75W	0.72W	0.5W	0.72W	0.75W
Input voltage (V.DC.)	5V (4.75-5.25)	5V (4.75-5.25)	5V (4.75-5.25)	5V (4.75-5.25)	5V (4.75-5.25)	5V (4.75-5.25)	5V (4.75-5.25)
Output voltage (V.DC.)	5V / 100mA	12V / 60mA	15V / 50mA	24V / 30mA	±5V / ±50mA	±12 / ±30mA	±15 / ±25mA

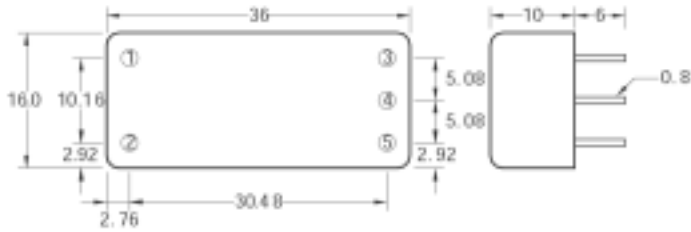
Model No.	DA 12-5S	DA 12-12S	DA 12-15S	DA 12-24S	DA 12-5D	DA 12-12D	DA 12-15D
Max. output wattage (W)	0.5W	0.72W	0.75W	0.72W	0.5W	0.72W	0.75W
Input voltage (V.DC.)	12V (10.8-13.2)	12V (10.8-13.2)	12V (10.8-13.2)	12V (10.8-13.2)	12V (10.8-13.2)	12V (10.8-13.2)	12V (10.8-13.2)
Output voltage (V.DC.)	5V / 100mA	12V / 60mA	15V / 50mA	24V / 30mA	±5V / ±50mA	±12 / ±30mA	±15 / ±25mA

Model No.	DA 24-5S	DA 24-12S	DA 24-15S	DA 24-24S	DA 24-5D	DA 24-12D	DA 24-15D
Max. output wattage (W)	0.5W	0.72W	0.75W	0.72W	0.5W	0.72W	0.75W
Input voltage (V.DC.)	24V (21.6-26.4)	24V (21.6-26.4)	24V (21.6-26.4)	24V (21.6-26.4)	24V (21.6-26.4)	24V (21.6-26.4)	24V (21.6-26.4)
Output voltage (V.DC.)	5V / 100mA	12V / 60mA	15V / 50mA	24V / 30mA	±5V / ±50mA	±12 / ±30mA	±15 / ±25mA

Model No.	DA 5-5S DA12-5S DA24-5S	DA 5-12S DA12-12S DA24-12S	DA 5-15S DA12-15S DA24-15S	DA 5-24S DA12-24S DA24-24S	DA 5-5D DA12-5D DA24-5D	DA 5-12D DA12-12D DA24-12D	DA 5-15D DA12-15D DA24-15D	
Max output wattage (W)	0.5W	0.72W	0.75W	0.72W	0.5W	0.72W	0.75W	
Input	Input filter Capacitor							
Output	Voltage (V.DC.)	5	12	15	24	±5	±12	±15
	Voltage accuracy	±3%	±3%	±3%	±3%	±3%	±3%	±3%
	Current (mA) max	100	60	50	30	±50	±30	±25
	Line regulation (HL-LL) (typ.)	±0.1%	±0.1%	±0.1%	±0.1%	±0.1%	±0.1%	±0.1%
	Load regulation (10-100%) (typ.)	±0.5%	±0.5%	±0.5%	±0.5%	±0.5%	±0.5%	±0.5%
	Ripple	<0.2% Vout +10mV max (Vp-p)						
	Noise	<0.5% Vout +40mV max (Vp-p)						
	Efficiency	45%	55%	57%	60%	45%	55%	57%
Protection	Switching frequency	20KHz	20KHz	20KHz	20KHz	20KHz	20KHz	20KHz
	Over current protection	Works over 120% of rating and recovers automatically.						
Isolation	Short circuit protection	Protected (10 min)						
	Voltage	500 VDC.						
Environment	Resistance	10 ⁹ ohms						
	Operating temperature	-25°C...+71°C						
	Storage temperature	-55°C...+105°C						
	Case temperature	+95°C max.						
	Temperature coefficient	±0.02% Per°C						
	Humidity	95% RH						
Physical	MTBF	>1,000,000 h @ 25°C (MIL-HDBK-217F)						
	Dimension (L x W x H)	1.41 x 0.63 x 0.39 Inches (36.0 x 16.0 x 10.0 mm)						
	Case Material	Plastic						
	Weight	10 g						
Physical	Cooling method	Free-air convection						

All specifications valid at nominal input voltage, full load and +25°C after warm-up time unless otherwise stated.

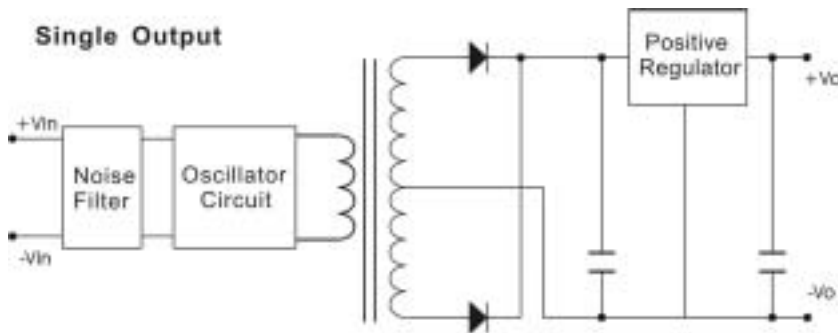
MECHANICAL DIMENSION (Top View)



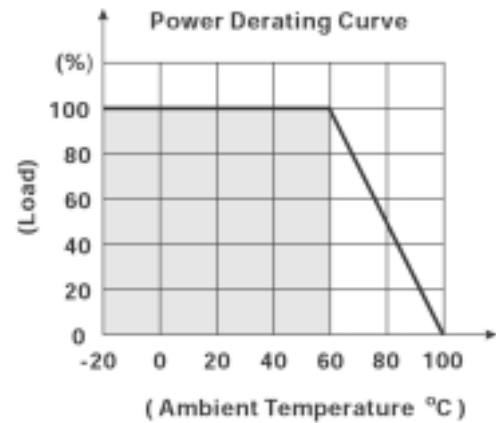
PIN#	Single	Dual
1	+DC IN	+DC IN
2	-DC IN	-DC IN
3	+DC OUT	+DC OUT
4	NO PIN	COMMON
5	-DC OUT	-DC OUT

BLOCK DIAGRAM

Single Output



DERATING



Dual Output

