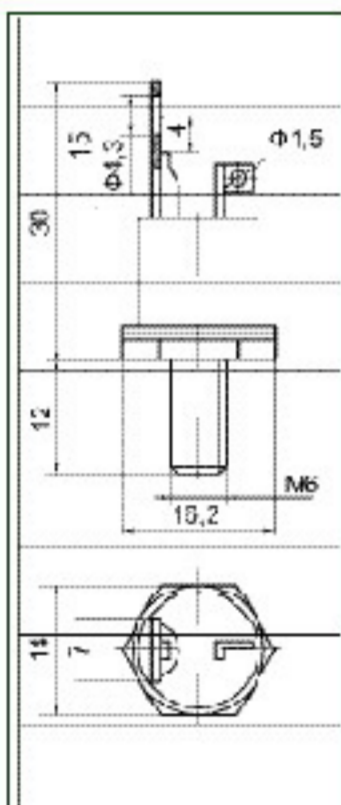


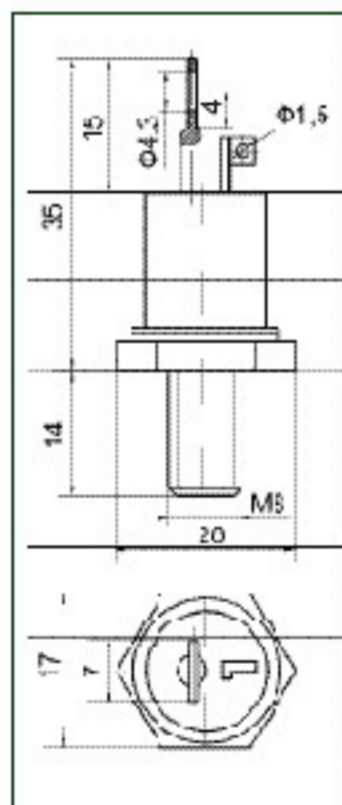
ST1 w -6r

T212-10
T212-16
TC212-10
TC212-16
TB212-10



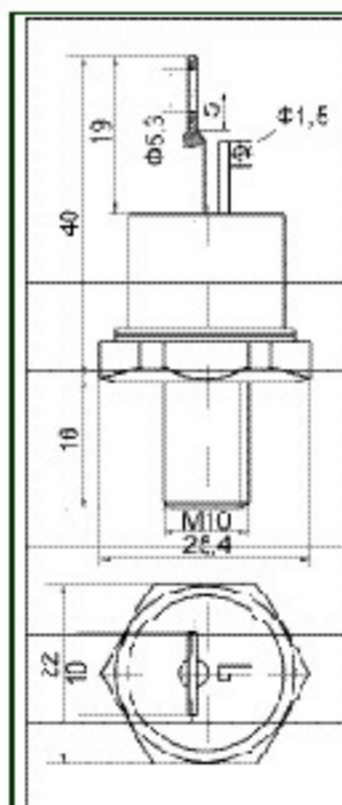
ST2 w -11r

T222-20
T222-25
TC222-20
TC222-25
T222-20
T222-25
TB222-16
TB222-20



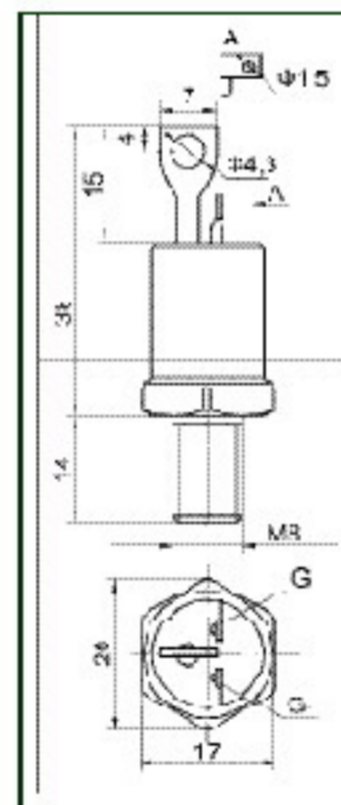
ST3 w -23r

T232-20
T232-25
T232-40
T232-50
TC232-40
TC232-50
TB232-25
TB32-32
TB232-40



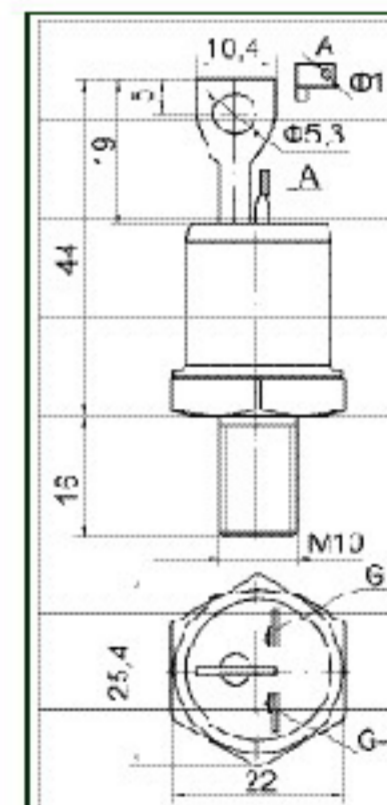
ST4 w -50r

T242-40
T242-50
T242-63
T242-80
TC242-63
TC242-80
TB242-50
TB242-63



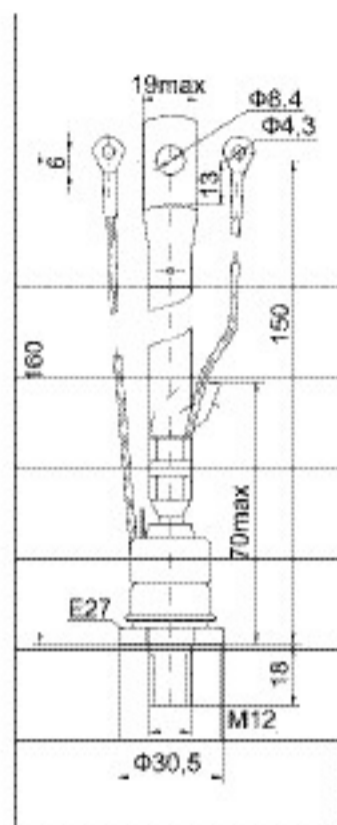
ST3-1 w -26,5r

T0232-25
T0232-40



ST4-1 w -48,5r

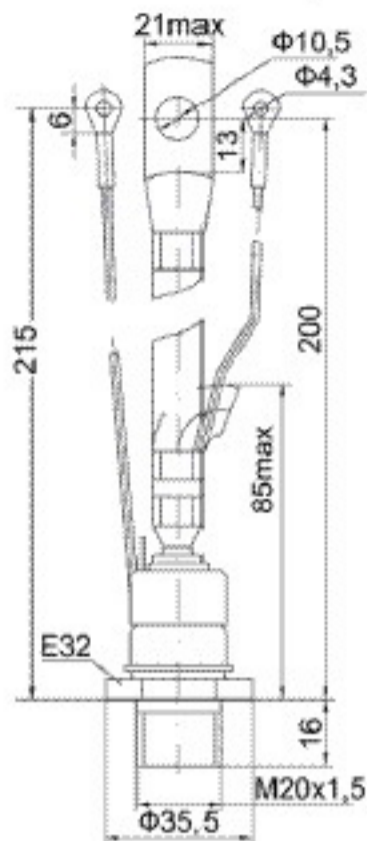
T0242-50
T0242-63
T0242-80



ST5

w = 150r

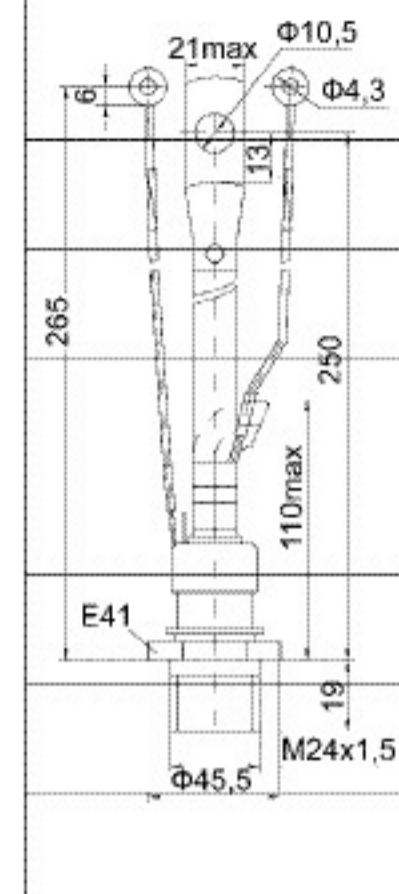
T151-100
 TC151-100
 TC251-100
 TC151-125
 TC251-125
 TC151-160
 TC251-160
 TB351-80
 TB351-100



ST6

w = 240r

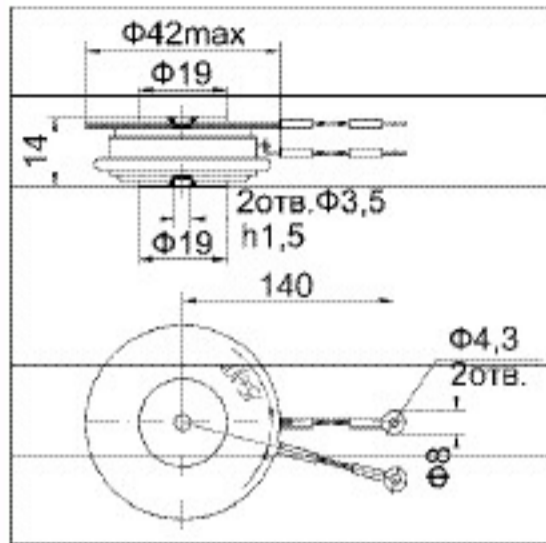
T161-125
 T161-160
 T261-160
 T161-200
 TC161-160
 TC261-160
 TC161-200
 TC261-200
 TB361-125
 TB361-160
 ТВИ361-100



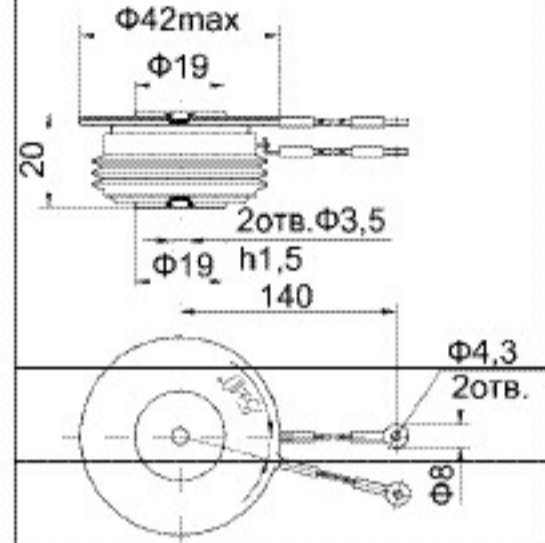
ST7

w = 440r

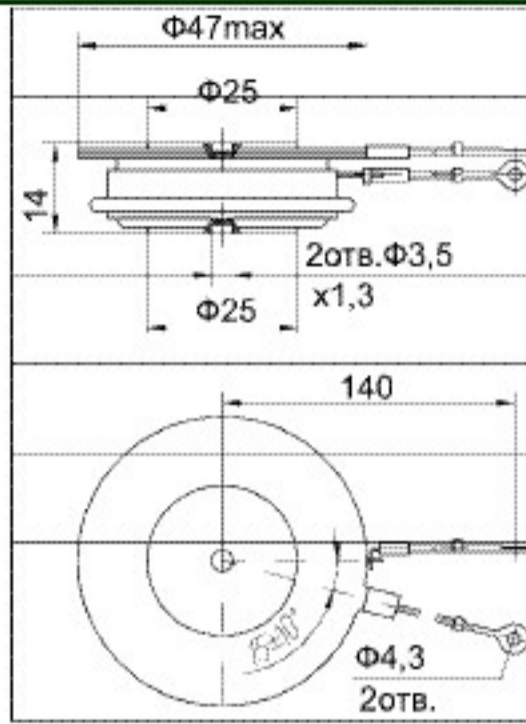
T171-200
 T171-250
 T271-250
 T171-320
 T271-320
 ТА371-250
 ТА371-320
 TC171-250
 TC271-250
 TC171-320
 TC271-320
 TB371-200
 TB371-250
 ТВИ371-160
 ТВИ371-200



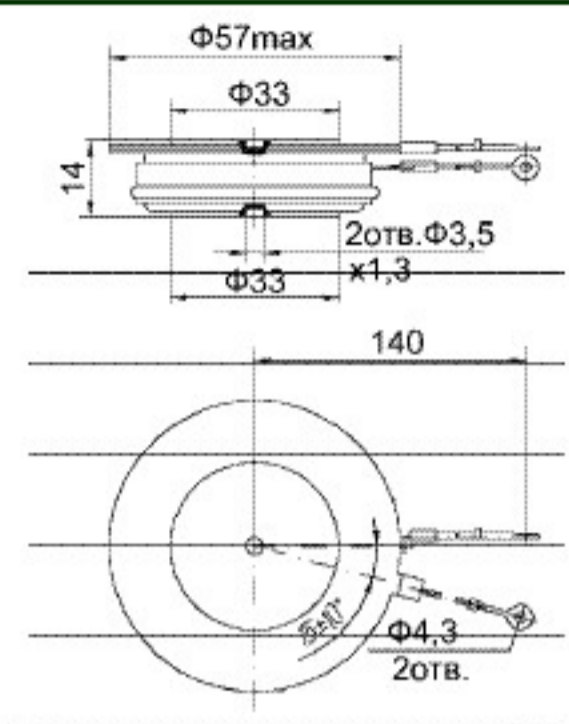
PT21 w=70г
T123-200, T123-250, T123-320,
T123-400, T123-500
ТАИ123-200, ТАИ123-250
ТВИ323-250



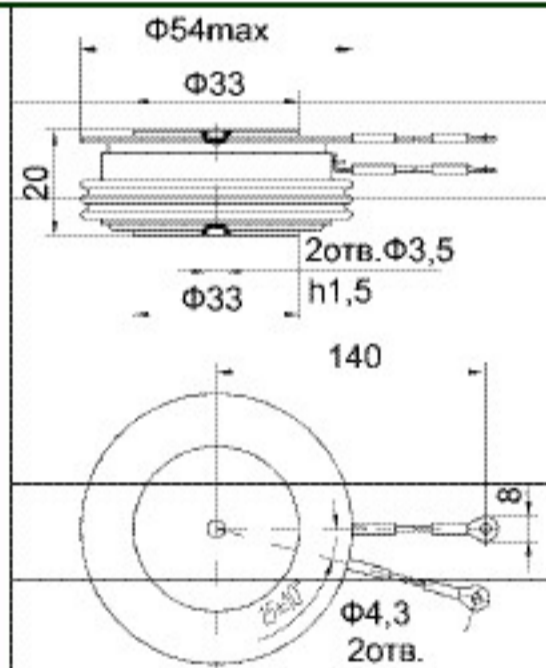
PT22 w=91г
T123-160, T223-200, T223-250



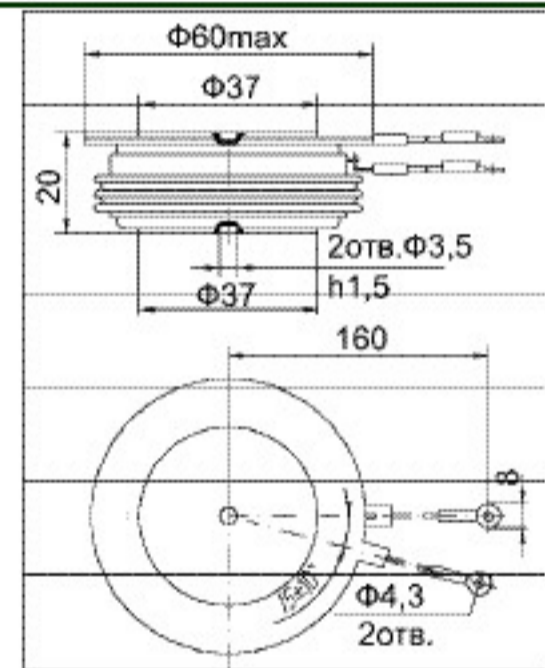
PT31 w=100г
T133-500, T133-630, T133-800
ТАИ133-400, ТАИ133-500,
ТС133-500, ТС133-630
ТВ333-400, ТВ333-500
ТВИ433-400



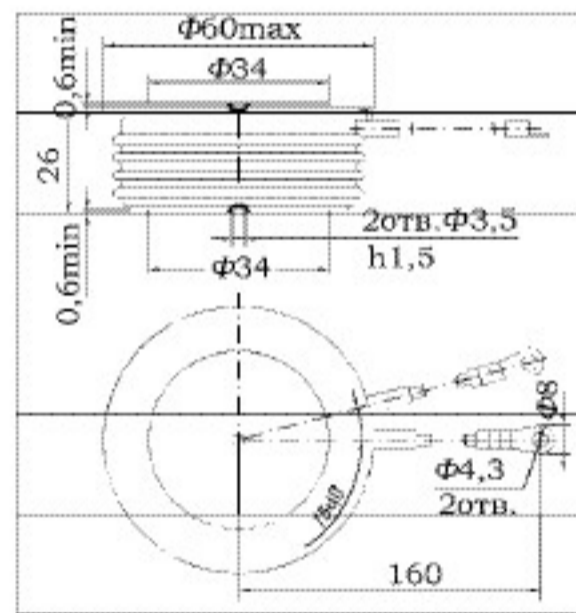
PT41 w=160г
T143-1000, T143-1250
ТАИ143-630, ТАИ143-800
ТС143-800, ТС143-1000
ТВ343-500, ТВ343-630
ТВИ443-630



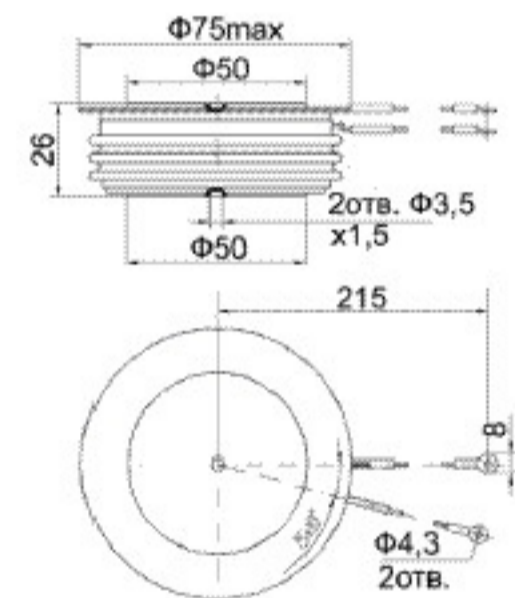
PT32 w=180г
T133-250, T133-320, T233-320,
T133-400, T233-400, T233-500
ТВ433-320,
ТВИ333-320, ТВИ333-400



PT42 w=240г
T143-400, T243-400, T143-500, T243-
500, T143-630, T243-630, T143-800
ТВ443-500
ТВИ343-400, ТВИ543-400, ТВИ343-
500, ТВИ343-630



PT43-1 w=240г
T143-320



PT53 w=500г
T153-630, T153-800, T253-800, T253-
1000, T353-1000, T453-1000, T253-
1250
ТВИ353-800, ТВИ353-1000, ТВИ353-
1250