

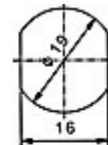
**DESCRIPTIONS:**

- C510XS brass housing and cylinder.
- C510ZSS, C510ZS, C510ZM and C510ZL zinc alloy die cast housing and cylinder.
- Bright chrome plated standard.
- 7 pin tumbler mechanism.
- Steel made tubular keys, nickel plated.
- Key may be withdrawn in one or both positions.
- 5 sizes available.
- Various cam configurations and rotations available.
- Cam is affixed by nut.
- Hex nut mounted.
- 10000 combinations available.



Unit: mm

HOLE SIZE



**KEY-PULL FIGURES**

┃ -Indicates Key-Pull

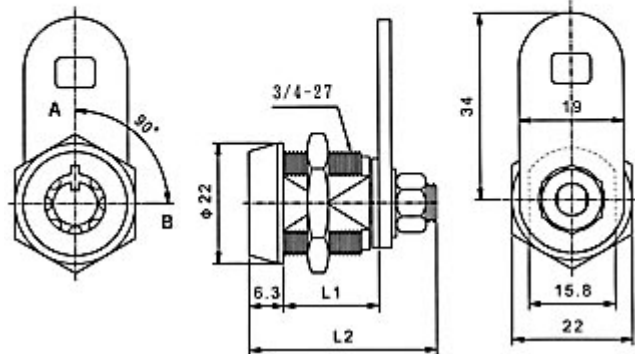
● -Indicates No Key-Pull



Fig.1



Fig.2



Sizes	$l_1$	$l_2$	Fig. No.	Lock Number	Positions	Key Pulls	Turn
XS	9.5	23.3	1	C510XS-1 C510ZSS-1	2	1	90 °
ZSS	11	25		C510ZS-1 C510ZM-1			
ZS	17	34.3		C510ZL-1			
ZM	23	39.7	2	C510XS-2 C510ZSS-2	2	2	90 °
ZL	28	44.7		C510ZS-2 C510ZM-2			